

Sold & Serviced By:

 **ELECTROMATE**

Toll Free Phone (877) SERV098

www.electromate.com

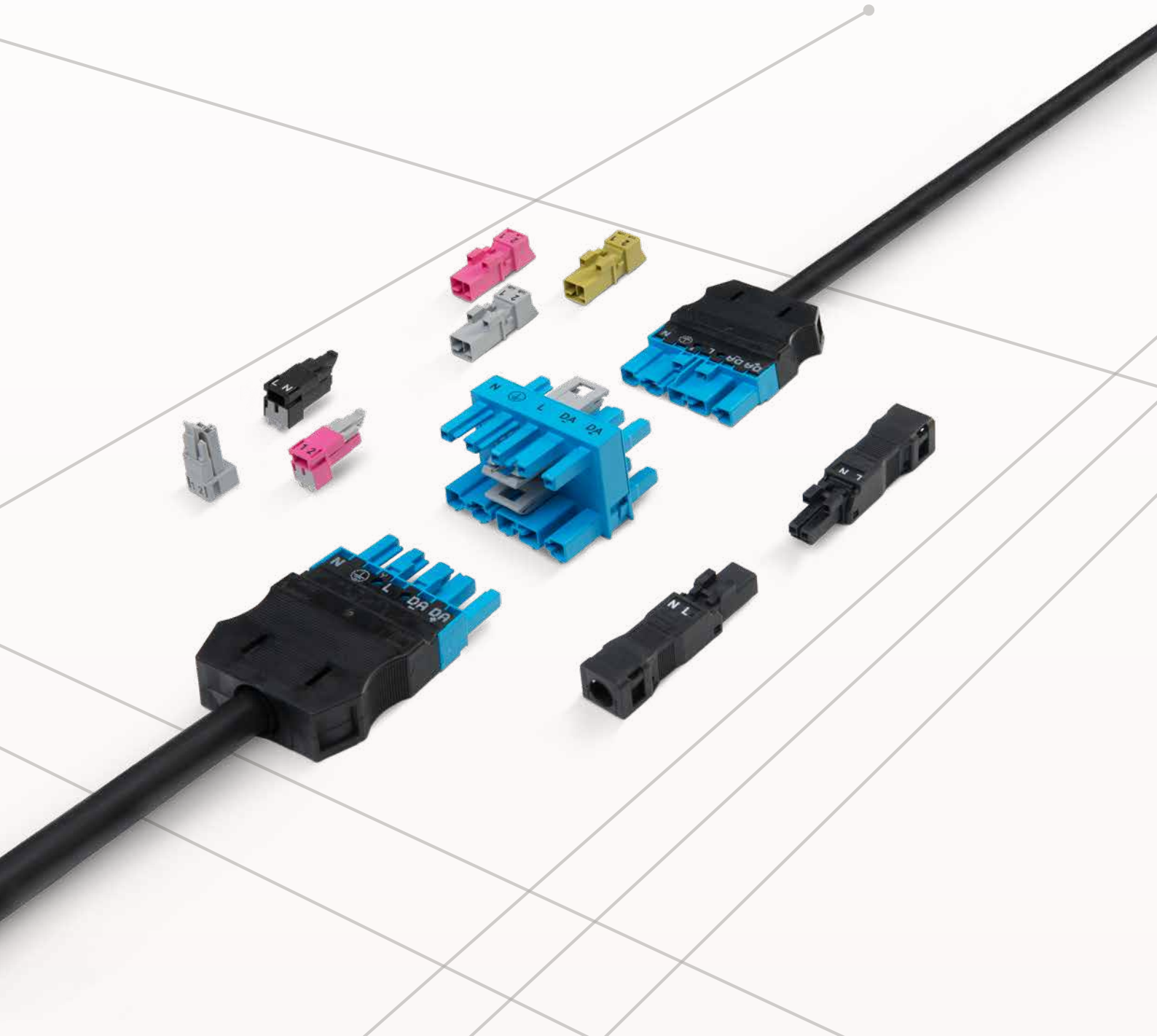
sales@electromate.com



WAGO Pluggable Connection System WINSTA®

Full Line Catalog, Volume 5 – Edition 2020/2021

5



WAGO Full Line Catalogs



Volume 1, WAGO Rail-Mount Terminal Block Systems

- Rail-Mount Terminal Blocks
- Rail-Mount Terminal Blocks with Pluggable Connector (X-COM®-SYSTEM)
- Patchboard Systems
- Terminal Strips
- PUSH WIRE® Connectors for Junction Boxes
- Lighting Connectors
- Shield Connecting System



Volume 2, WAGO PCB Terminal Blocks and WAGO Connectors

- PCB Terminal Blocks
- THR/SMD PCB Terminal Blocks
- *MULTI CONNECTION SYSTEM (MCS)*
- Pluggable PCB Terminal Blocks
- Feedthrough Terminal Blocks
- Specialty Connectors
- Empty Housings



Volume 3, Automation Technology

- Solutions & Software
- Operating & Monitoring
- Controllers
- Modular I/O-SYSTEM, IP20
- Industrial Switches
- Radio Technology
- IP67 Sensor/Actuator Boxes, IP67 Cables and Connectors



Volume 4, WAGO Interface Electronic

- Relay and Optocoupler Modules
- Signal Conditioners and Isolation Amplifiers
- Current and Energy Measurement Technology
- Power Supplies
- Interface Modules and System Wiring
- Overvoltage Protection
- Empty Housings



Volume 5, WAGO Pluggable Connection System WINSTA®

- Pluggable Connectors
- Snap-In Device Connectors
- Pluggable PCB Connectors
- Distribution Connectors
- Cable Assemblies
- Flat Cable Systems
- Distribution Boxes



Volume 6, WAGO Marking

- Printer
- Software
- Terminal Block Marking
- Cable and Conductor Marking
- Device Marking
- Marker Carriers

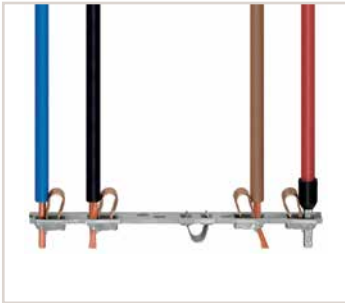
Volume 5, WAGO Pluggable Connection System WINSTA®

			Page
	WAGO Pluggable Connection System WINSTA® MINI 890/891 Series; 2- to 5-Pole Pluggable connectors, snap-in device connectors, pluggable PCB connectors, distribution connectors, cable assemblies	1.5 mm ² ; 16 A	25
	WAGO Pluggable Connection System WINSTA® MINI special 890/891 Series; 2- to 5-Pole Pluggable connectors, snap-in device connectors, pluggable PCB connectors, distribution connectors, cable assemblies	1.5 mm ² ; 16 A	109
	WAGO Pluggable Connection System WINSTA® MIDI 770/771 Series; 2- to 7-Pole Linect® T-connectors, pluggable connectors, snap-in device connectors, pluggable PCB connectors, distribution connectors, cable assemblies	4 mm ² ; 25 A 	169
	WAGO Pluggable Connection System WINSTA® MIDI special 770/771 Series; 2- to 5-Pole Pluggable connectors, snap-in device connectors, pluggable PCB connectors, distribution connectors, cable assemblies	4 mm ² ; 25 A	299
	WAGO Pluggable Connection System WINSTA® – Specialty Cable Assemblies Cable assemblies for specialty applications		365
	WAGO Pluggable Connection System WINSTA® MAXI 831 Series; 5-Pole Pluggable connectors	6 mm ² ; 35 A	375
	WAGO Pluggable Connection System WINSTA® RD 774 Series; 3- and 4-Pole Cable assemblies	2.5 mm ² ; 20 A	381
	WAGO Pluggable Connection System WINSTA® KNX 893/894 Series; 2-Pole Pluggable connectors, snap-in device connectors, distribution connectors, cable assemblies	0.8 mm Ø; 3 A	397
	WAGO Pluggable Connection System WINSTA® IDC 772/893/895/896/897 Series Supply and tap-off modules, flat cables	16 mm ² ; 76 A	411
	WAGO Pluggable Connection System WINSTA® Boxes 899 Series Distribution boxes		439
	WAGO Accessories and WAGO Tools		467
	Technical Section		501
	Indexes and Addresses		517

Operating WAGO Connection Technologies

Please follow the applicable product-specific termination instructions.

PUSH-IN CAGE CLAMP®



Push-in CAGE CLAMP® terminates the following copper conductors:

solid



stranded



fine-stranded, also with tinned single strands



fine-stranded, tip-bonded



fine-stranded, with ferrule (gastight crimped)



fine-stranded, with pin terminal (gastight crimped)

The universal connection with an additional advantage:

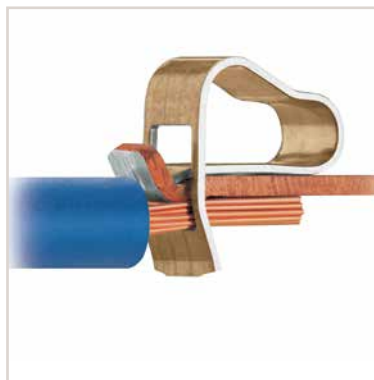
Push-in termination

Terminate solid and stranded, as well as ferruled conductors, by simply pushing them in – no tools required.

Termination for all conductor types:

- Open clamping unit
- Insert the conductor
- Release clamp – done!

CAGE CLAMP®



CAGE CLAMP® terminates the following copper conductors:

solid



stranded



fine-stranded, also with tinned single strands



fine-stranded, tip-bonded



fine-stranded, with ferrule (gastight crimped)



fine-stranded, with pin terminal (gastight crimped)

The universal connection for solid, stranded and fine-stranded conductors

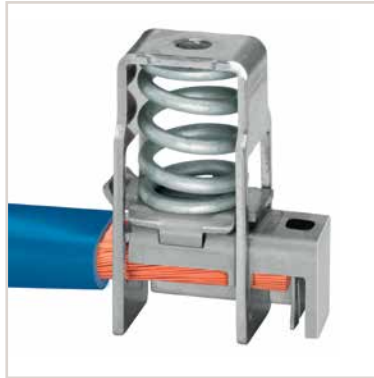
Termination:

- Open clamping unit
- Insert the conductor
- Release clamp – done!

Operating WAGO Connection Technologies

Please follow the applicable product-specific termination instructions.

POWER CAGE CLAMP®



POWER CAGE CLAMP terminates the following copper conductors:

solid



stranded



fine-stranded,
also with tinned
single strands



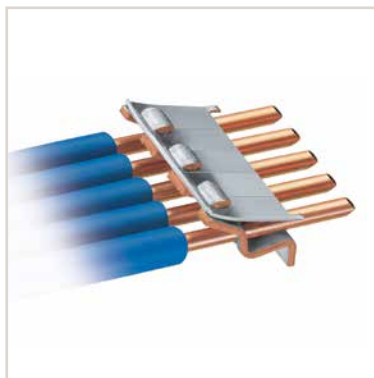
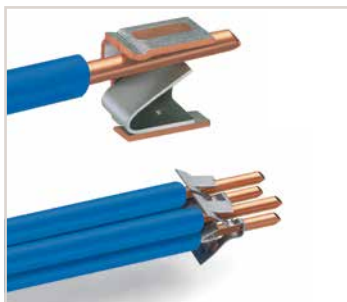
fine-stranded,
with ferrule
(gastight crimped)

The universal connection for conductors larger than 35 mm² (2 AWG)

Termination:

- Open clamp by turning a T-wrench counter-clockwise
- Press the integrated latch to open clamping unit for hands-free wiring
- Insert the conductor
- A small counter-clockwise rotation closes the clamp, securing conductor

PUSH WIRE®



PUSH WIRE® terminates the following copper conductors:

solid

PUSH WIRE® connection for solid and stranded conductors (depending on the model used)

Termination:

Tool-free, twist-free terminations for solid and rigid stranded conductors – simply push into the unit

Sold & Serviced By:

 **ELECTROMATE**

Toll Free Phone (877) SERV098

www.electromate.com

sales@electromate.com

WINSTA® – A Complete Series Perfects the System

The WINSTA® Pluggable Connection System

is the electrical interface that links power supply and distribution to electrical loads (e.g., lights) and encompasses data processing (bus lines in building automation).

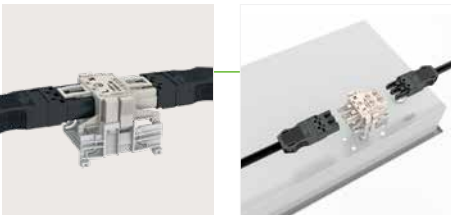
WINSTA® MINI
WINSTA® MINI special



WINSTA® MIDI
WINSTA® MIDI special



WINSTA® MIDI Linect®



WINSTA® MAXI





WINSTA® RD



WINSTA® KNX



WINSTA® IDC



Comprehensive WAGO Project Support:

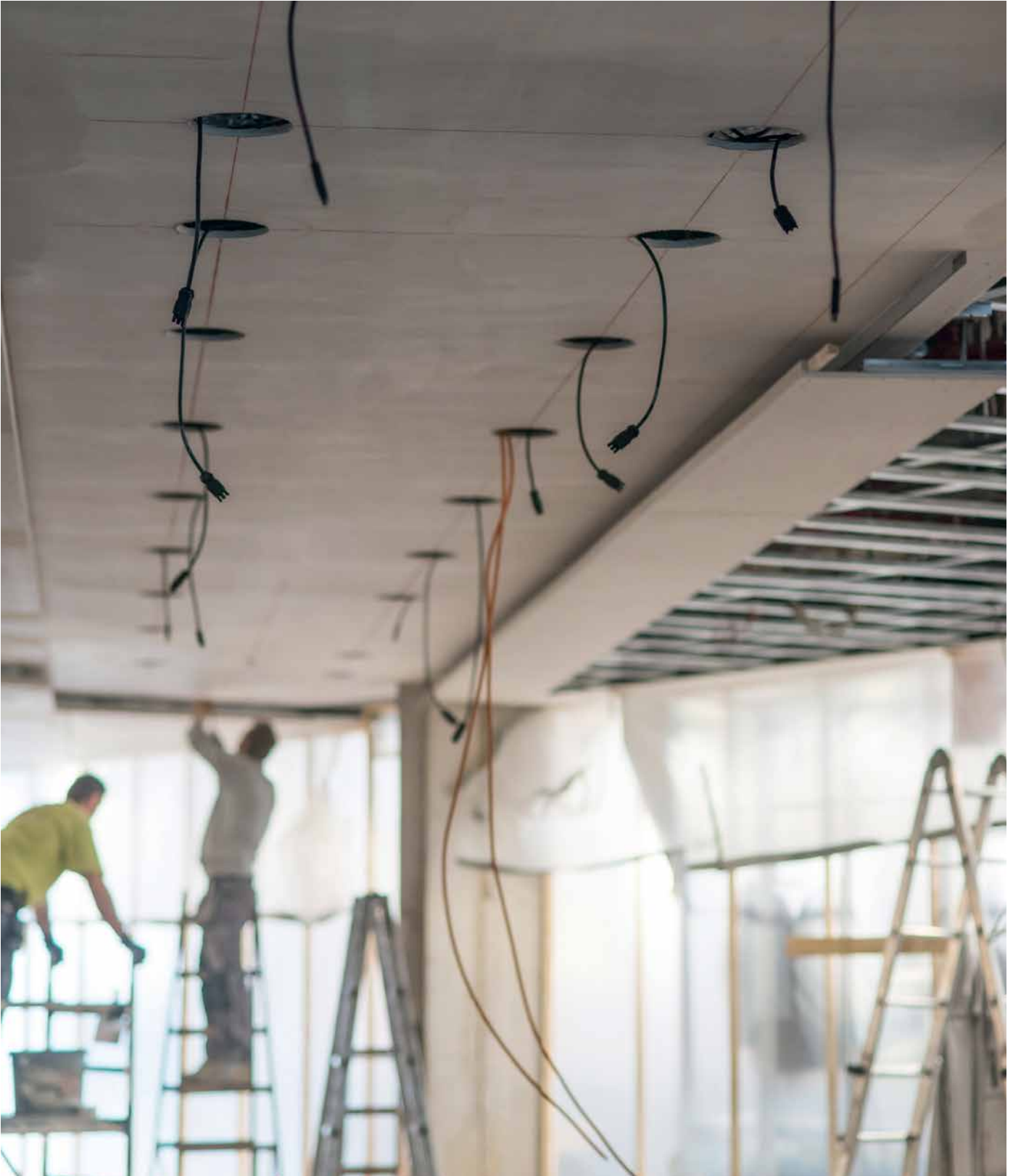
WAGO offers consulting and project planning services to help devise the best possible solution for your project. Our experienced team of professionals will gladly help you implement your project with our products.

www.wago.com/winsta

WINSTA® – The Pluggable Connection System

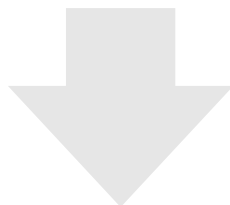
Plug into Power!

Even though the life cycle of a building stresses longevity, construction times are ever shorter and, particularly for functional buildings, operations are often subjected to continual reconstruction and relocation. Conditions within the construction industry show similar dynamic change: Overall construction volume is rising, so the order books are nicely filled. Yet at the same time, that industry struggles with a shortage of qualified workers. The **WINSTA®** Pluggable Connection System is the answer because speed, flexibility and expandability are becoming increasingly more important as integral keys to the long-term viability of buildings.



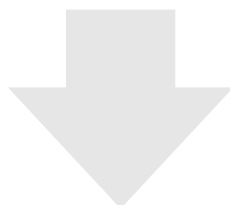
Planning

- End-to-end, application-oriented solutions from supply to load
- Integration of bus systems like DALI, SMI or KNX possible
- Decentralize energy distribution by integrating individually manufactured **WINSTA**® and system distribution boxes
- International approvals, along with our numerous successfully concluded building projects and references from the shipbuilding, transport and machinery/plant engineering areas, confirm high product quality.



Setup/Installation

- Evident time savings for the installer on the construction site thanks to Plug & Play connections.
- Pre-assembled cables and distribution components mean distribution connectors are easily inserted, so there is no more laborious wiring in junction boxes.
- Mechanical coding and color identification enable clear assignment to the power circuit for secure protection against mismatching – especially when used with the optional individual printing.



Utilization

- Simple, swift change for newly planned room divisions or extensions
- Numerous system partners bring future security
- Locking latches for solid, secure component connections



Maintenance

- The **WINSTA**® Pluggable Connection System is based on maintenance-free spring pressure connection technology.
- **WINSTA**® MIDI features thoughtfully designed test ports that enable testing when plugged in.
- Color coding, e.g., for plugs or distribution connectors, enables fast power circuit identification.



Conversion/Modernization

- The electrical installation can be flexibly reconfigured or extended, adapting readily to individual requirements.
- Energy-efficient, sustainable products for room automation, for example, can be integrated into a **WINSTA**® installation for renovations or other conversions.
- Minimized downtimes for maintenance processes (e.g., for exchanging lights).

Perfectly Plugged Applications

WINSTA® Building Applications

Every family within the **WINSTA®** system features an extremely broad product portfolio to meet the power supply and signal transmission requirements of modern buildings. Individual components including plugs, sockets, distribution connectors, cable assemblies and boxes with pluggable outputs provide all you need for fast and easy electrical installations. Additionally, the

WINSTA® MINI special and MIDI special families offer various mechanical and optical coding options for clearly identifying different circuits, while allowing bus signals to be distributed via pluggable connections.



Raised-Floor Box

- IDC flat cables provide power supplies to raised-floor boxes.
- For each type of supply, a flat cable line is installed in the raised floor and fed via supply modules.
- Tap-off is performed via a cable assembly that is protected against mismatching.
- Floor boxes come with integrated snap-in connectors.

Cable Duct

- Power supply distribution to a 230 V mains is performed using a pre-assembled **WINSTA®** Distribution Box.
- Power outputs are plugged into trunking outlets via pre-assembled interconnecting cables with integrated **WINSTA®** Plugs and Sockets.

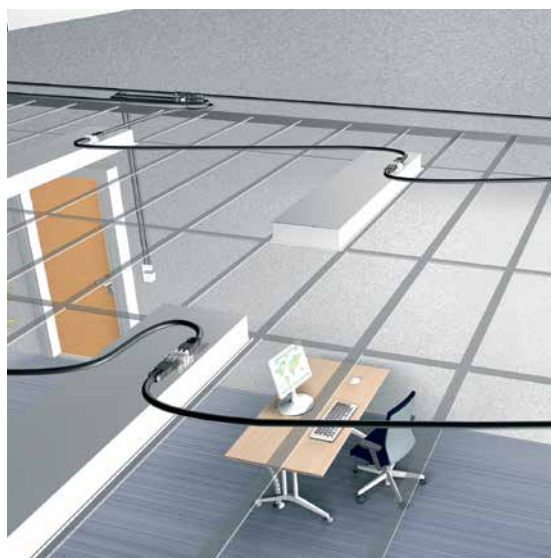


iStock.com/Johnny Greig



Sunblind Control

- A connecting cable supplies the **WINSTA**® Distribution Box for sunblind control.
- The sunblinds can also be operated via switches, as a user may expect.
- The distribution box connectors are protected against mismatching.
- The application is pre-assembled to save installation time and expedite system expansion.



Lighting

- The ceiling lights are connected to the distribution box via Linect® T-Connectors and **WINSTA**® Cable Assemblies.
- The circuit is flexible, quick to set up and can readily adapt to new requirements using the pluggable connection system.
- Linect® lights can be installed and removed just as quickly.

Perfectly Plugged Applications

WINSTA® Applications in Other Industries

Ships

Pluggable connection of smoke detectors, balcony door contacts, speakers and lights expedite electrical installation.



RVs

Electric power and lighting for the interior – benefit from fast, safe and faultless installation.



Trains

Plug & Play components support on-schedule completion and quick component replacement using pluggable outlets, displays, internal circuits, door contacts, speakers and lighting.



iStock.com/ fallbrook



iStock.com/ kirza

Elevators

Simplified installation and maintenance thanks to pluggable connections for electric power and lighting in the compartments



@Photocreo Bednarek/Fotolia.com

Shops and Trade Shows

Flexible installation that optimally provides electricity and lighting to temporary structures, or those that are frequently modified



@maho/Fotolia.com



Device Connection at Home

Ignition fans for pellet heating, connection of room control devices, electrical and lighting installation for integrated room systems

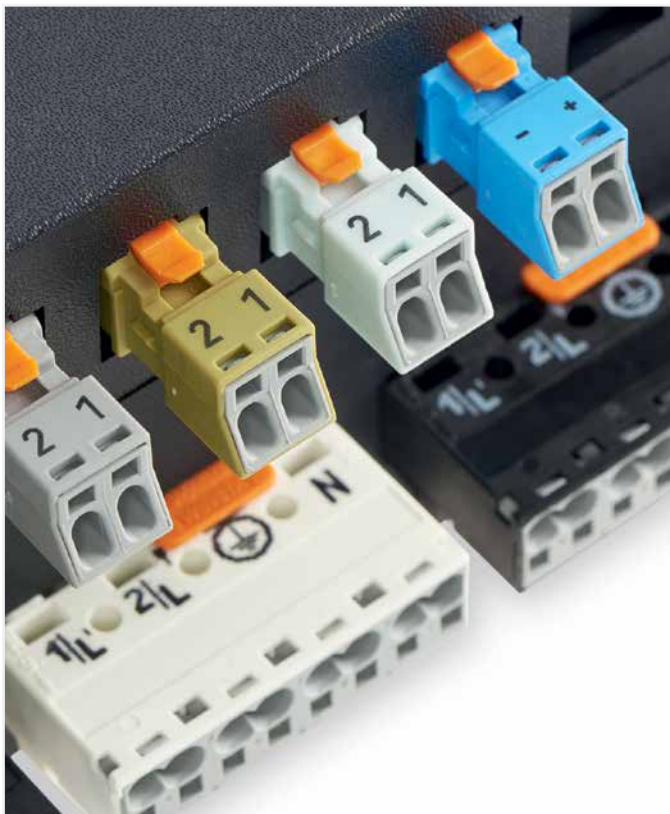
Devices and systems in homes and other private buildings have to be started and disconnected quickly and easily. This can be done at any time via touch-proof **WINSTA®** Pluggable Connectors.

Perfectly Plugged Applications

WINSTA® Applications in Other Industries

Retail Centers

Within electrical and lighting installations in consumer electronics stores, home improvement centers, supermarkets and other high-traffic environments, pluggable electrical installation is the gold standard.



@Photocreo Bednarek/Fotolia.com

Device Connection for Industrial Applications

Control systems, single-room controllers, presence detectors, empty bottle return machines and more

Manufacturers of industrial devices and systems are faced with a number of challenges. **WINSTA®** snap-in device connection permits fast, safe and error-free commissioning.

Customer Applications



Lanfer Automation

The company completely renovated its headquarters, targeting greater energy efficiency through innovative automation technology. The installation yielded additional benefits, because using the bus technology



meant no multiple lines had to be laid. As an additional benefit, **WINSTA®** simplified the connections between systems and devices



Zinser Fashion House

The Zinser Fashion House was completely modernized in a very short time, without interrupting operations. Instead of individually wiring 2000 lights per floor, only

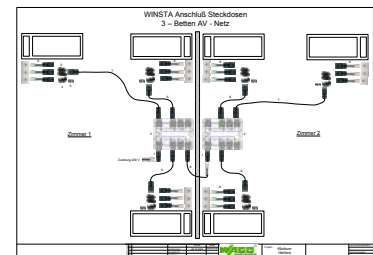


30 to 35 **WINSTA®** Boxes had to be wired in each story, leaving only the lights to be plugged in.



Herford Hospital

The clinic decided to use **WINSTA®** for the electrical wiring of the new, one- and two-bed patient rooms. For the installation of sockets on patient beds, a concept that enabled simple pre-assembly was designed. The corridor lighting in the hospital was implemented with



the pluggable connection system, resulting in 70% less effort and 30% lower costs.



Münster Municipal Theater

The Münster municipal theater was the first theater constructed in Germany after World War II. As part of its renovation, the illuminated seat numbering was modernized using **WINSTA®** Pluggable Connectors.



The emergency lighting was also revamped using **WINSTA®** MINI. The results simply sparkle.

WINSTA® – System Partners

Pluggable, End-to-End Design and Installation

The core advantage of the **WINSTA®** Pluggable Connection System is in the time it saves. Electrical designers save time, especially when they can quickly and neatly create complete electrical plans the installers can use to build complete electrical systems on the construction site. The job is done on time and without a hitch!

With **WINSTA®** and the connected system partners, a coherent and consistent electrical design is seamlessly implemented and realized from supply to the "last mile"; that is, the interfaces to the fixed installation, such as lights or sockets.



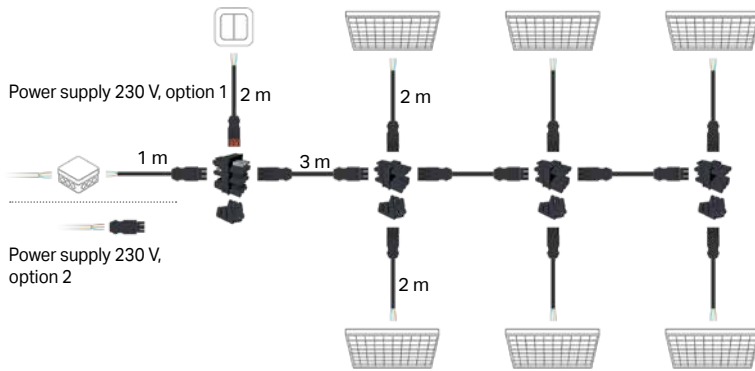
- All system partners maintain catalog articles with **WINSTA®** Pluggable Connection Technology.
- The system partner program covers all building installation interfaces, right to the end user.
- Manufacturers that carry the **WINSTA®** system partner logo equip their complementary products with the original WAGO Connection Technology and WAGO Pluggable Connectors.

Please feel free to contact us if you would like to have further information about our local **WINSTA®** system partners!

Sold & Serviced By:

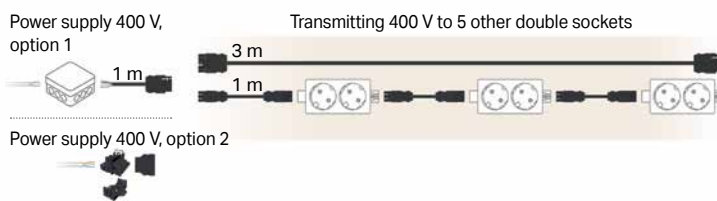


Toll Free Phone (877) SERV098
www.electromate.com
sales@electromate.com



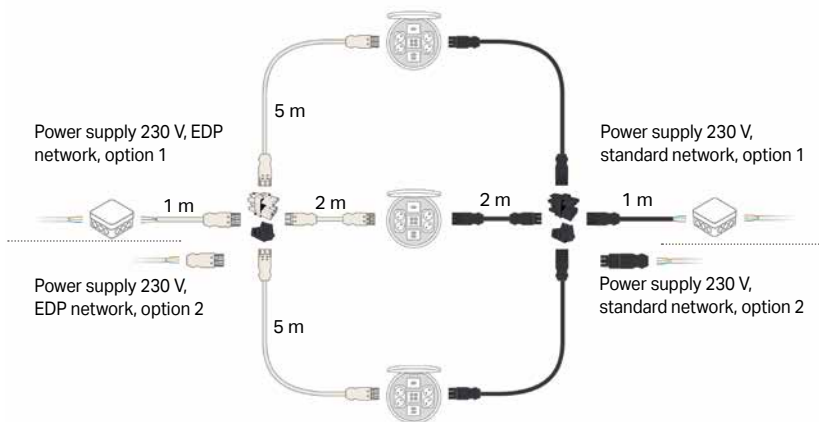
Lighting Fixtures

- Major time savings, since the plugs are already mounted at the factory.
- Also available for LED lights



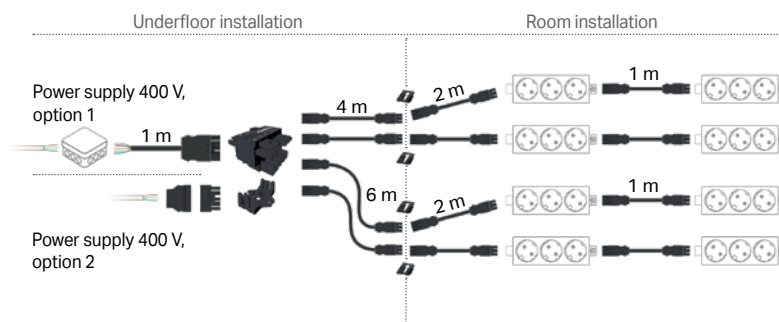
Switches/Socket/Cable Ducts

- As one example, with **WINSTA**[®], cable duct elements can be preassembled by the meter and installed on the construction site with just a few easy steps.



Underfloor

- Our system partners' underfloor boxes are available with either a handy, short connecting cable or a snap-in plug.



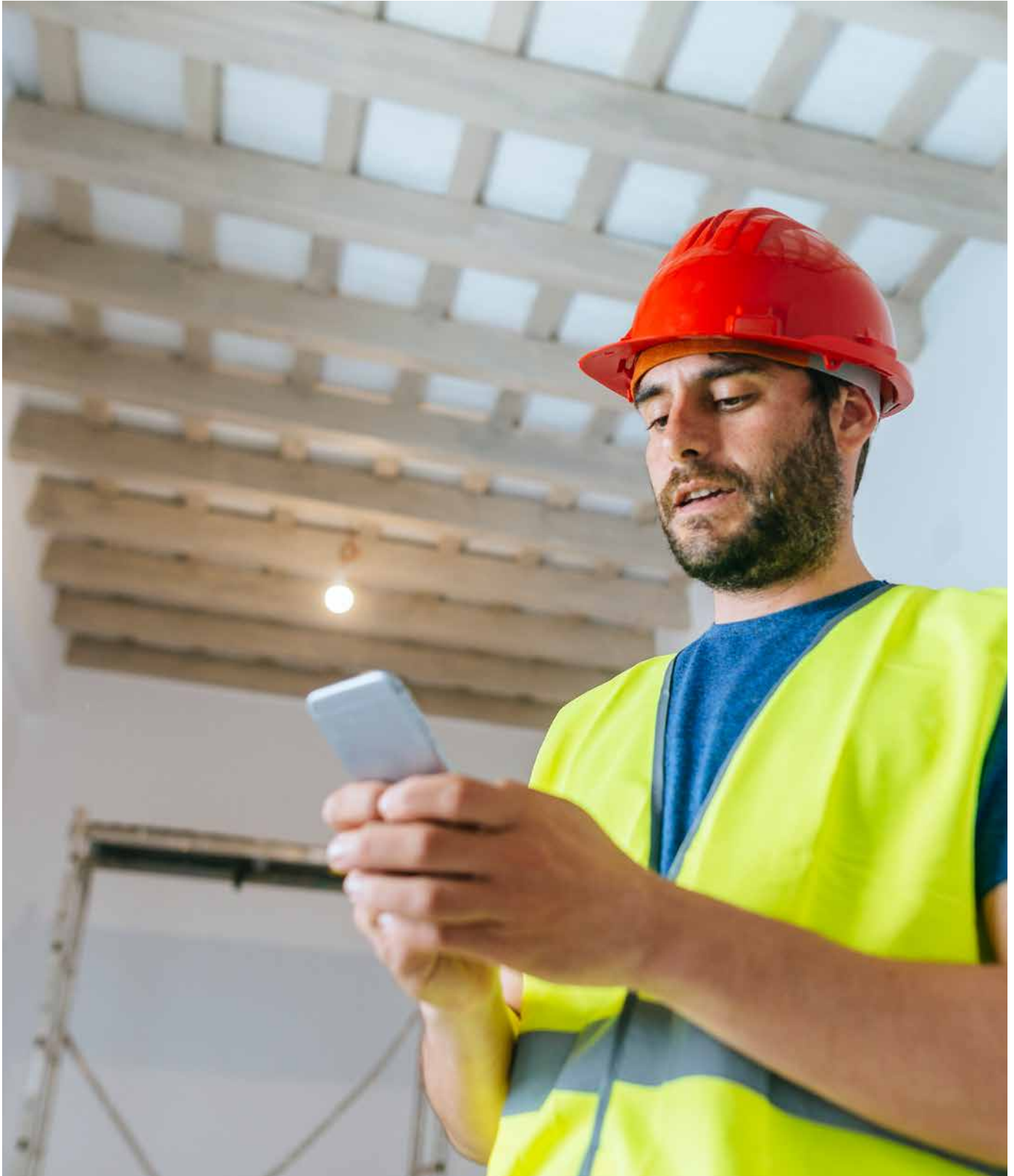
Workstation

- Workplace installations must be flexible – with **WINSTA**[®], the ideal connections are given.
- **WINSTA**[®] system partners offer a comprehensive range of functional, design-optimized complementary products.

WINSTA® in the Context of the Construction Product Regulation (CPR)

Background

Cables that are permanently installed in structures fall under the European CPR. They are classified into uniform fire classes according to their reaction to fire. The requirements are described in the harmonized standard hEN 50575:2014. Device connection cables that are directly connected to a load are an exception. All other cables must bear a CE conformance mark according to the CPR and a declaration of performance.



What does this mean for the **WINSTA®** Pluggable Connection System?

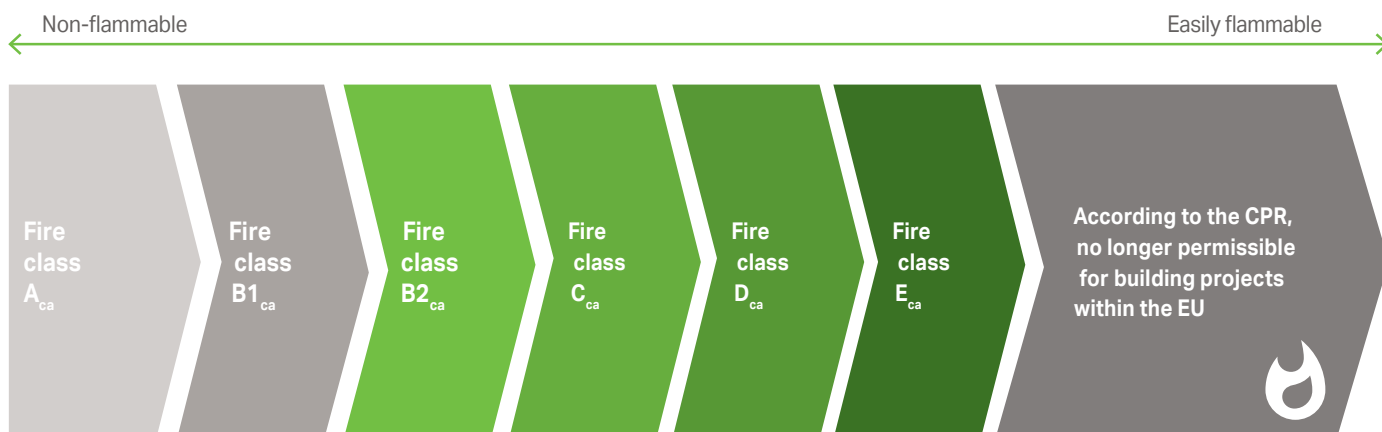
WAGO supplies cable assemblies within the **WINSTA®** product range. These cable assemblies are construction product-compliant, as they are designed according to standards for permanent installation in buildings, but are not covered by a uniform standard under the CPR. The scope of hEN 50575 only includes raw cables, not finished cables or cable assemblies. Thus, WAGO itself cannot issue any CE marking according to the CPR or declaration of performance!

What safety does WAGO offer in the event of fire?

The numbers from various statistics clearly show that one of the most common causes of death in fires is exposure to toxic gases and smoke. To counteract this, we have offered halogen-free cable types for the **WINSTA®** System for some time.

Always on the safe side – with **WINSTA®**!

The cables in the catalog range now already meet the requirements of the CPR and have been tested accordingly. Articles of higher fire classes ($B_{2_{ca}}$ and C_{ca}) are available on our E-Shop.



Sold & Serviced By:

 **ELECTROMATE**

Toll Free Phone (877) SERV098
www.electromate.com
sales@electromate.com



FAQ – Planning

Which room installation applications can be realized with the **WINSTA**® plug-in convenience?

WINSTA® means versatility for the widest range of applications. With the diverse product types, it is possible to install the energy supply for lights with widely varying switching types through cable ducts or underfloor systems via floor boxes, as well as dimming and shade control via pluggable installation connectors. Integrating bus systems such as DALI for dimming functions or SMI to control shading is uncomplicated; the same applies to the necessary sensors.

Is **WINSTA**® intended for applications in open or easily accessible areas?

Specialty products are available for this application (see page 230).

How flexible is the **WINSTA**® System when it comes to design/installation changes?

In functional buildings, modules can be added to the **WINSTA**® System at any time. If the intended room use changes, the installation is adapted or retrofitted quickly and error-free. With Plug & Play connection, both pre-assembled wiring and loads can be exchanged with just a few deft moves. All **WINSTA**® products can be reused to conserve resources.

Is the **WINSTA**® System maintenance-free?

Of course; the **WINSTA**® Pluggable Connection System is based on maintenance-free spring pressure connection technology. Many of the components feature Push-in CAGE CLAMP® for conductor terminations; thus, for example, even solid conductors can be simply pushed into unit.

Sold & Serviced By:

 **ELECTROMATE**

Toll Free Phone (877) SERV098

www.electromate.com

sales@electromate.com



Does WAGO recommend which coding and color to use for which application?

Due to the different applications, WAGO recommends using specific mechanical codings and colors:

Application	Coding	Connector Color
General network applications	A	Black, white
EPD or UPS applications	P	Red
Controlled lighting, DALI	I	Blue
Emergency power applications	L	Dark gray
Switch function	S	Brown
Control or other mains applications	B	Gray
Controlled shading/dimming; e.g., via SMI	B	Pink
Low voltages	B	Light green

Are distribution boxes with WINSTA® components available?

Yes. WAGO offers a variety of distribution boxes with different functions, like DALI Bus, KNX applications, sunblind control and more – completely ready for connection with WINSTA® Pluggable Connectors.

Where can WINSTA® be installed?

Essentially, the provisions outlined in VDE 0100 must always be observed. Pluggable installation connectors like WINSTA®, approved per IEC 61535, find use in prefabricated buildings, hollow spaces such as double floors or suspended ceilings; cable carrying, routing or ducting systems; in showrooms, separation walls and all similar applications.

FAQ – Service

How does WAGO support me during the design of building installation and automation?

WAGO's project service offers a very high level of support to help you through even the most complex and demanding installations. You can contact the project service by email under: info.projektplanung.de@wago.com.

Are there planning templates to get started?

WAGO has compiled planning examples for some applications; they are presented in our planning brochure with an appropriate parts list (www.wago.com/winsta). With **WINSTA**[®], these resources provide solid orientation that can be easily adapted to the individual project requirements – especially in the start phase.

FAQ – Installation

Is the **WINSTA**[®] Connection System truly a universal solution for building applications that allows devices with conventional field-wiring terminal blocks to be integrated into the installation?

In addition to cooperation with system partners who have access to their products via a direct **WINSTA**[®] interface, the **WINSTA**[®] System offers flexible and independent solutions such as connecting cables with open cable ends for pre-assembly on site. This means devices and loads can always be integrated into a **WINSTA**[®] installation.

What key advantages does **WINSTA**[®] offer for wiring?

Using the **WINSTA**[®] Pluggable Connection System cuts on-site connection time for installers to an absolute minimum. Thus, whenever a project calls for electrical installation, the wiring is simple, fast and on time, every time. **WINSTA**[®] also offers a multitude of mechanical codings and colors to protect against mismatching that virtually eliminate installation errors.

Who is permitted to install products from the **WINSTA**[®] Series on the construction site?

Only qualified electricians or appropriately instructed personnel may install pluggable installation connectors from the **WINSTA**[®] Series.

What needs to be considered for the transition from NYM cables for permanent installation to pluggable installation using flexible cables?

Flexible cables must be protected against excessive loads from tension, pressure, abrasion, twisting and kinking, particularly at device inlets and the transition point to the fixed installation. With **WINSTA**[®] Connectors, the transition point from NYM to **WINSTA**[®] can be defined and connected directly on site. This transition area must be correspondingly secured and protected from excessive bending stress. In addition, all terminals must be protected against shear and tensile stress.

FAQ – Security

How does **WINSTA**® accommodate differentiating/identifying individual power circuits?

Of course, flexible marking is part of a flexible connector system. This is why **WINSTA**® also offers custom solutions. Components from the **WINSTA**® MINI special and **WINSTA**® MIDI special families can be variably printed, to explicitly identify the specific power circuit they are assigned to. With clever accessories, further possibilities emerge.

Are the pluggable connectors secure and protected against accidental disconnection?

All products intended for permanent installation (e.g., distribution boxes, snap-in variants, PCB variants) are fitted with locking latches at the factory, so every plugged connection is securely locked. Locking latches can be attached to pre-assembled cables for "flying leads" at any time.

Is **WINSTA**® suitable for outdoor installations?

The **WINSTA**® System is approved up to protection class IP20; thus, **WINSTA**® shall not be used for outdoor installations.

Is the **WINSTA**® System protected against accidental contact?

All components of the **WINSTA**® System are protected against accidental contact, providing maximum safety.

FAQ – Regulations, Standards and Guidelines

To which regulations must I orient myself for installations with **WINSTA**®?

WINSTA® is primarily approved per IEC 61535 (VDE 0606-200) – the product standard for pluggable installation connectors intended for permanent connection in mounted installations. When installing **WINSTA**® products, the DIN VDE 0100 specifications must be followed.

Can **WINSTA**® be used in low-voltage range applications?

Compliance of **WINSTA**® products with the low-voltage directive is verified by the CE approval.

What must be accounted for when connecting a cable with reduced cross section to an underfloor box (e.g., via IDC tap-off module)?

The minimum cable cross section must be adapted to the connected load. More protection measures are only required if the cable with the reduced cross section is longer than 3 m; see VDE 0100 – 430.

Can two electrical circuits (even those with different voltages) be routed in one connector/cable?

According to VDE 0100 Part 520, this is acceptable when the connector, or all of the wire insulation present in the cable line is rated for the maximum voltage applied.

What needs to be considered for an installation requiring increased fire protection?

When using pluggable connector systems, the conduit selected has a significant impact on building protection, thus safeguarding the inhabitants and users. Cables and conduits fall under the Construction Product Regulation (CPR). Their performance in the event of fire is described by the fire class feature. In the **WINSTA**® product range, WAGO also carries cables suited for higher fire classes (B2_{ca} and C_{ca}) that are available in our eShop.






WAGO Pluggable Connection System *WINSTA*[®] MINI

WAGO Pluggable Connection System WINSTA® MINI ▶ 890, 891 Series

1.5 mm² / 16 A

- Note:
- Installation connectors are designed for connection and disconnection while not under load.
 - There is no hazard-inducing interchangeability with systems based on IEC 60309, IEC 60320, IEC 60906 and with national connector and socket systems.
 - Compliance with the standards (IEC 61535) does not guarantee hazard-preventing, non-interchangeability with installation connector systems from various manufacturers.
 - Installation connector systems are not a substitute for residential connector/socket systems.

1

	Page	
	Pluggable Connectors, 890 Series	
	2-pole	28
	3-pole	50
	4-pole	70
	5-pole	88
	Snap-In Device Connectors, 890 Series	
	2-pole	32
	3-pole	54
	4-pole	74
	5-pole	92
	Pluggable PCB Connectors, 890 Series	
	2-pole	34
	3-pole	56
	4-pole	76
	5-pole	94
	Distribution Connectors, 890 Series	
	2-pole	38
	3-pole	60
	4-pole	80
	5-pole	98
	Cable Assemblies, 891 Series	
	2-pole	42
	3-pole	64
	4-pole	84
	5-pole	102

Sold & Serviced By:

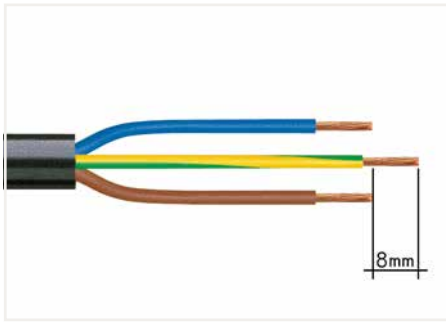

ELECTROMATE

Toll Free Phone (877) SERV098

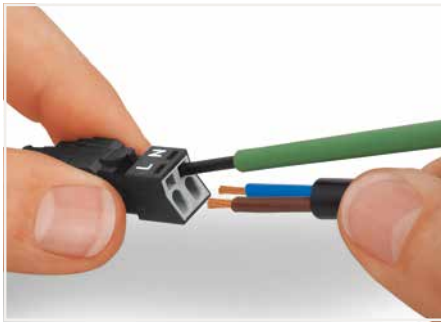
www.electromate.com
sales@electromate.com

WINSTA® MINI ▶ 890, 891 Series Installation

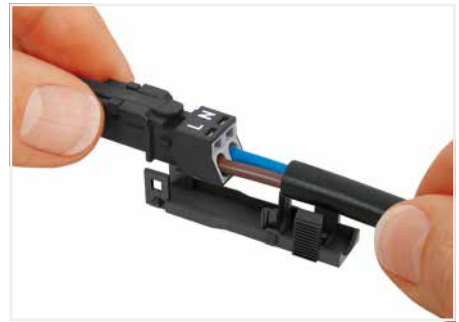
1



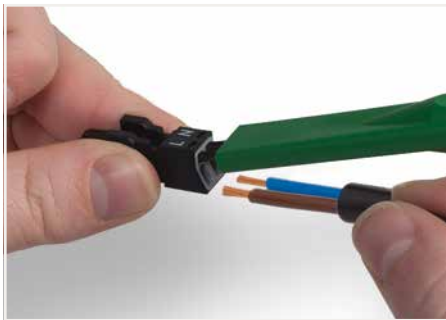
1. Strip length, outer insulation = x mm ❶
2. Strip length = 9 mm
3. Extended ground conductor = 8 mm



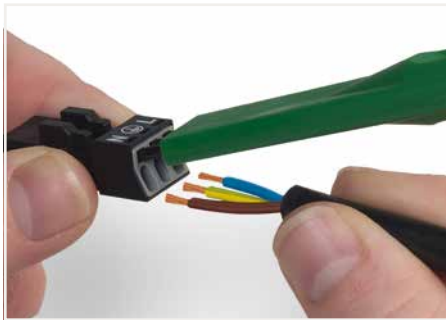
To terminate fine-stranded conductors, open the clamping unit via screwdriver (2.5 mm blade width) and insert a stripped conductor until it hits backstop. Terminate solid conductors by simply pushing them in.



Latch wired connector onto the base of the strain relief housing.



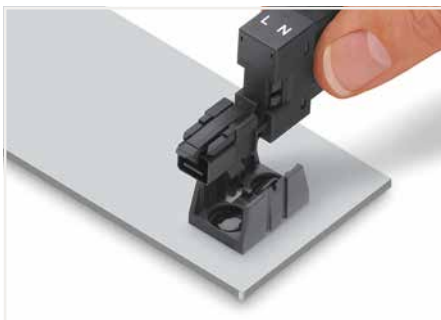
To terminate fine-stranded conductors, open clamping units via operating tool (890-382) and insert stripped conductors until they hit backstop. Terminate solid conductors by simply pushing them in.



To terminate fine-stranded conductors, open clamping units via operating tool (890-383) and insert stripped conductors until they hit backstop. Terminate solid conductors by simply pushing them in.



Secure the mounting plate via pins.



The distribution connectors snap together when attached to the mounting plate.



All connectors for mounted installations (snap-in versions, pluggable PCB connectors, distribution connectors) are factory-equipped with locking levers to ensure plugs and sockets are securely locked. Additional locking levers are only required for "flying leads" (plug/socket).

❶ Strip length, outer insulation: 2-pole = 32 mm, 3-pole = 40 mm, 4- and 5-pole = 45 mm

PUSH-IN CAGE CLAMP®

1



Push down strain relief clamp by hand.



Push down strain relief clamp via 2.5 mm screwdriver alternately on both sides.



Latch the top of the strain relief housing.



The printed marking of the connector is clearly visible in the openings of the strain relief housing.



Connector with shield termination



Apply the shield to the rubber cable.
Strip length, outer insulation = 40 mm
Shield length = 8 mm



Push the shield connecting plate into the connector until fully inserted.



First insert the wired connector into strain relief housing, then snap clamp and cover.

Pluggable Connector ▶ WINSTA® MINI ▶ Serie 890

No. of poles: 2

1



- Protected against mismatching and maintenance-free
- Push-in CAGE CLAMP® spring pressure connection technology allows solid conductors to be simply pushed into a unit
- Compact design with 4.4 mm pole spacing
- When assembled, the installation connectors complies with IP40 and are suitable for easily accessible areas

Electrical Data

Coding	A; I		
Ratings per	IEC/EN 60664-1		
Overvoltage category	III	III	II
Pollution degree	3	2	2
Rated voltage	250 V	-	-
Rated impulse voltage	4 kV	-	-
Rated current	16 A	-	-

Connection Data

Connection technology	Push-in CAGE CLAMP®
Strip length	9 mm / 0.35 inch
Nominal cross section	1.5 mm ²
Solid conductor	0.25 ... 1.5 mm ² / 22 ... 16 AWG
Solid conductor, push-in termination	0.75 ... 1.5 mm ² / 20 ... 16 AWG
Stranded conductor	0.25 ... 1 mm ² / 22 ... 18 AWG
Fine-stranded conductor	0.25 ... 1.5 mm ² / 22 ... 16 AWG
Fine-stranded conductor with ferrule with plastic collar	0.25 ... 0.75 mm ² / 22 ... 20 AWG
Fine-stranded conductor with ferrule without plastic collar	0.25 ... 0.75 mm ² / 22 ... 20 AWG
Fine-stranded conductor with ferrule, push-in termination, from	0.75 mm ² / 20 AWG

Material Data

Insulating material	Polyamide 66 (PA 66)
Clamping spring material	Chrome nickel spring steel (CrNi)
Contact material	Copper or copper alloy; surface-treated

Mechanical Data

Number of mating cycles	200, without resistive load 100, with resistive load $I_N = 16$ A, tested (1.5 mm ² /AWG 16)
Retention force of a plug-in connection	When locked: > 80 N

Environmental Requirements

Processing temperature	-5 ... +40 °C
Continuous operating temperature	-35 ... +85 °C
Note on continuous service temperature	Insulating parts for temperatures ≤ 105 °C

All connectors for mounted installations (snap-in versions for lighting fixtures or devices, all types of PCB and distribution connectors) are factory-equipped with locking levers to ensure plugs and sockets are securely locked. Additional locking levers are only required for flying leads (plug/socket).

Application note for the U.S. market (USR): Some versions may also be used for current interruption in accordance with the UL certificate in select applications with currents below 5 A and voltages up to 600 V. For further information, please contact your local sales office.

All WINSTA® components are 100% protected against mismatching in terms of:

- plugging different number of poles
- plugging when turned by 180°
- plugging when laterally staggered
- plugging one pole

Tools Page 492

Additional information, see "Technical Section"

Approvals and corresponding ratings, visit www.wago.com

Pluggable Connector ▶ WINSTA® MINI ▶ Serie 890

No. of poles: 2

strain relief housing, short ▶ Female connector/socket ▶ Strip length: 17.5 mm ▶ Standard network application ▶ Protection class: IP40

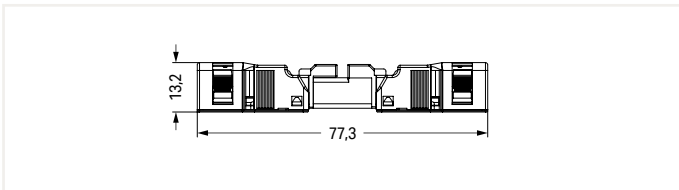
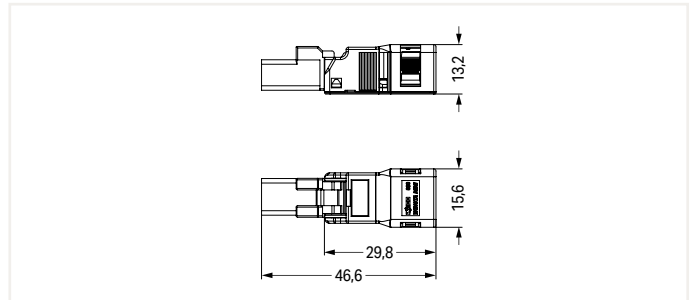
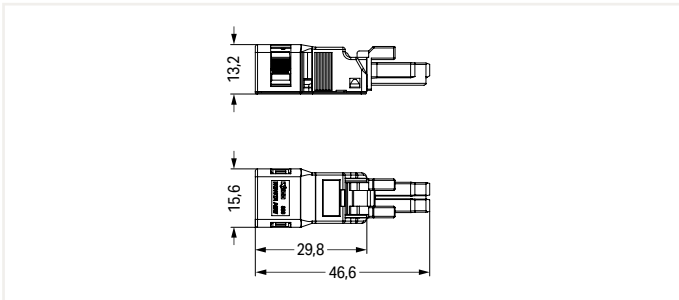
strain relief housing, short ▶ Male connector/plug ▶ Strip length: 17.5 mm ▶ Standard network application ▶ Protection class: IP40



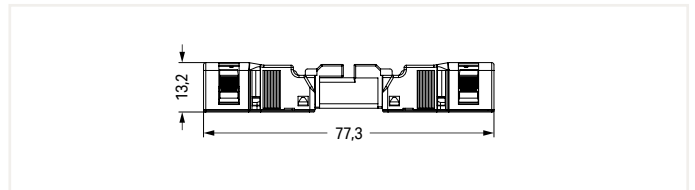
1

Color	Coding	Marking	Item Number	PU
● black	A	L N	890-202/342-000	50

Color	Coding	Marking	Item Number	PU
● black	A	L N	890-212/342-000	50



Overall length when mated



Overall length when mated

Accessories; for all products on this page



Locking lever; for flying leads; manually operated		
Color	Item Number	PU (SPU)
● black	890-101	100 (50)
○ white	890-121	100 (50)

Locking lever; for flying leads; tool operated		
Color	Item Number	PU (SPU)
● black	890-111	100 (50)
○ white	890-131	100 (50)

Mounting adapter; for 2- to 5-pole for flying leads		
Color	Item Number	PU
● black	890-310	100
○ white	890-311	100



Operating tool; for WAGO connectors WINSTA® MINI; No. of poles: 2		
Color	Item Number	PU
● green	890-382	1

PU = Packaging Unit; SPU = Subpackaging Unit; Dimensions in mm

Pluggable Connector ▶ WINSTA® MINI ▶ Serie 890

No. of poles: 2

strain relief housing ▶ Female connector/socket ▶ Strip length: 32 mm ▶ Standard network application ▶ Protection class: IP40

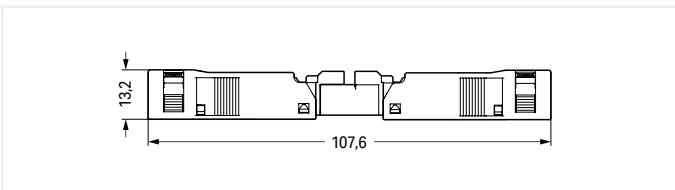
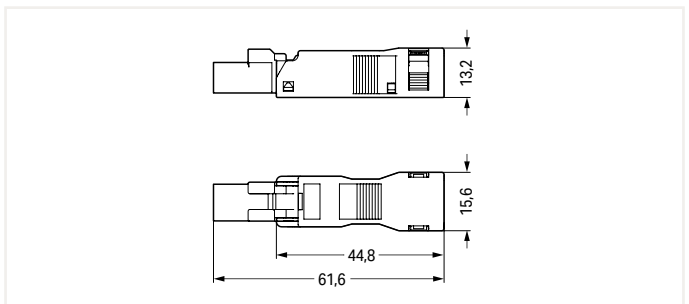
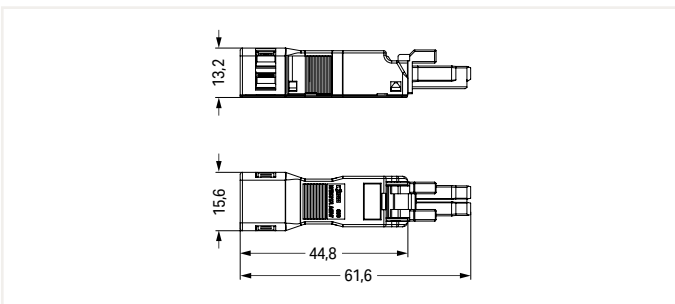
strain relief housing ▶ Male connector/plug ▶ Strip length: 32 mm ▶ Standard network application ▶ Protection class: IP40

1

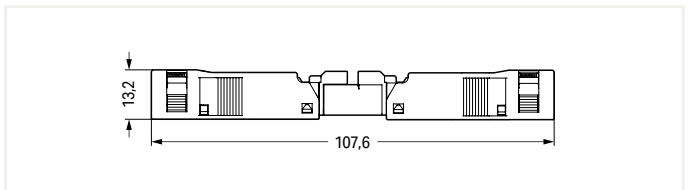


Color	Coding	Marking	Item Number	PU
● black	A	L N	890-102	50
○ white	A	L N	890-122	50

Color	Coding	Marking	Item Number	PU
● black	A	L N	890-112	50
○ white	A	L N	890-132	50



Overall length when mated



Overall length when mated

Accessories; for all products on this page



Locking lever; for flying leads; manually operated		
Color	Item Number	PU (SPU)
● black	890-101	100 (50)
○ white	890-121	100 (50)



Locking lever; for flying leads; tool operated		
Color	Item Number	PU (SPU)
● black	890-111	100 (50)
○ white	890-131	100 (50)



Mounting adapter; for 2- to 5-pole for flying leads		
Color	Item Number	PU
● black	890-310	100
○ white	890-311	100



Operating tool; for WAGO connectors WINSTA® MINI; No. of poles: 2

Color	Item Number	PU
● green	890-382	1

PU = Packaging Unit; SPU = Subpackaging Unit; Dimensions in mm

Pluggable Connector ▶ WINSTA® MINI ▶ Serie 890

No. of poles: 2

Female connector/socket ▶ Protection class: IP20; IP40 with strain relief housing

Male connector/plug ▶ Protection class: IP20; IP40 when mated with strain relief housing



1

Standard network application

Color	Coding	Marking	Item Number	PU
● black	A	L N	890-202	50
○ white	A	L N	890-222	50

Standard network application

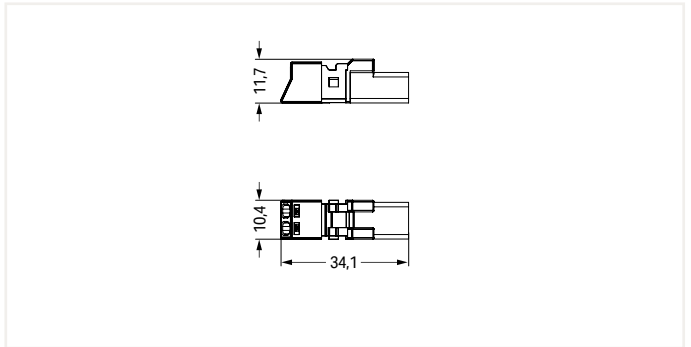
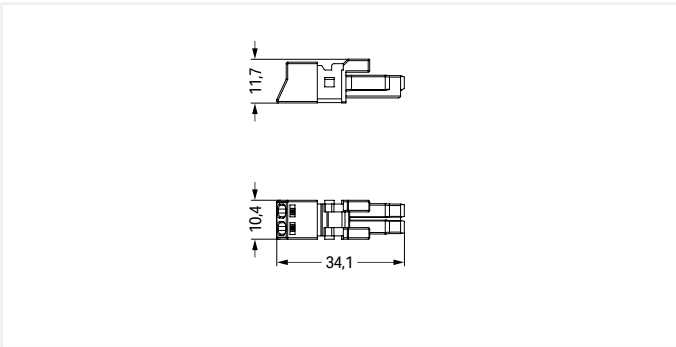
Color	Coding	Marking	Item Number	PU
● black	A	L N	890-212	50
○ white	A	L N	890-232	50

Lighting management

Color	Coding	Marking	Item Number	PU
● blue	I	+ -	890-1102	50

Lighting management

Color	Coding	Marking	Item Number	PU
● blue	I	+ -	890-1112	50



Accessories; for all products on this page



Locking lever; for flying leads; manually operated

Color	Item Number	PU (SPU)
● black	890-101	100 (50)
○ white	890-121	100 (50)

Locking lever; for flying leads; tool operated

Color	Item Number	PU (SPU)
● black	890-111	100 (50)
○ white	890-131	100 (50)

Mounting adapter; for 2- to 5-pole for flying leads

Color	Item Number	PU
● black	890-310	100
○ white	890-311	100



Operating tool; for WAGO connectors WINSTA® MINI; No. of poles: 2

Color	Item Number	PU
● green	890-382	1

Strain relief housing; Connectable sheathed cable diameter: 3.8 ... 8.2 mm; Strip length: 32 mm

Color	Item Number	PU
● black	890-502	50
○ white	890-512	50

Strain relief housing; Connectable sheathed cable diameter: 3.8 ... 8.2 mm; Strip length: 17.5 mm

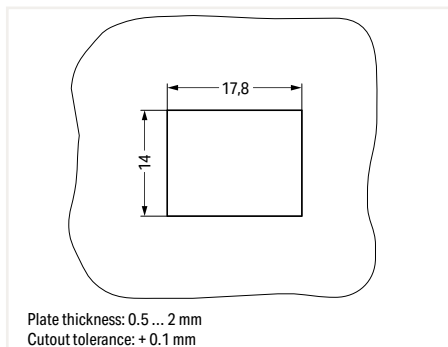
Color	Item Number	PU
● black	890-502/342-000	50
○ white	890-512/342-000	50

PU = Packaging Unit; SPU = Subpackaging Unit; Dimensions in mm

Snap-In Device Connector ▶ WINSTA® MINI ▶ Serie 890

No. of poles: 2

1



- Protected against mismatching and maintenance-free
- Push-in CAGE CLAMP® spring pressure connection technology allows solid conductors to be simply pushed into a unit
- Compact design with 4.4 mm pole spacing
- When assembled, the installation connectors complies with IP40 and are suitable for easily accessible areas

Electrical Data

Coding	A; I		
Ratings per	IEC/EN 60664-1		
Overvoltage category	III	III	II
Pollution degree	3	2	2
Rated voltage	250 V	-	-
Rated impulse voltage	4 kV	-	-
Rated current	16 A	-	-

Connection Data

Connection technology	Push-in CAGE CLAMP®
Strip length	9 mm / 0.35 inch
Nominal cross section	1.5 mm ²
Solid conductor	0.25 ... 1.5 mm ² / 22 ... 16 AWG
Solid conductor, push-in termination	0.75 ... 1.5 mm ² / 20 ... 16 AWG
Stranded conductor	0.25 ... 1 mm ² / 22 ... 18 AWG
Fine-stranded conductor	0.25 ... 1.5 mm ² / 22 ... 16 AWG
Fine-stranded conductor with ferrule with plastic collar	0.25 ... 0.75 mm ² / 22 ... 20 AWG
Fine-stranded conductor with ferrule without plastic collar	0.25 ... 0.75 mm ² / 22 ... 20 AWG
Fine-stranded conductor with ferrule, push-in termination, from	0.75 mm ² / 20 AWG

Material Data

Insulating material	Polyamide 66 (PA 66)
Clamping spring material	Chrome nickel spring steel (CrNi)
Contact material	Copper or copper alloy; surface-treated

Mechanical Data

Number of mating cycles	200, without resistive load 100, with resistive load $I_N = 16 A$, tested (1.5mm ² /AWG 16)
Mating force of a plug-in connection	Approx. 20 ... 70 N (depending on pole number)
Unmating force of a plug-in connection	When unlocked: approx. 20 ... 70 N (depending on pole number)
Retention force of a plug-in connection	When locked: > 80 N

Environmental Requirements

Processing temperature	-5 ... +40 °C
Continuous operating temperature	-35 ... +85 °C
Note on continuous service temperature	Insulating parts for temperatures ≤ 105 °C

All connectors for mounted installations (snap-in versions for lighting fixtures or devices, all types of PCB and distribution connectors) are factory-equipped with locking levers to ensure plugs and sockets are securely locked. Additional locking levers are only required for flying leads (plug/socket).

Application note for the U.S. market (USR): Some versions may also be used for current interruption in accordance with the UL certificate in select applications with currents below 5 A and voltages up to 600 V. For further information, please contact your local sales office.

All WINSTA® components are 100% protected against mismatching in terms of:

- plugging different number of poles
- plugging when turned by 180°
- plugging when laterally staggered
- plugging one pole

Tools Page 492

Additional information, see "Technical Section"

Approvals and corresponding ratings, visit www.wago.com

Sold & Serviced By:

 **ELECTROMATE**

Toll Free Phone (877) SERV098

www.electromate.com

sales@electromate.com

Snap-In Device Connector ▶ WINSTA® MINI ▶ Serie 890

No. of poles: 2

Female connector/socket ▶ Protection class: IP40

Male connector/plug ▶ Protection class: IP20; IP40 when mated



1

Standard network application

Color	Coding	Marking	Item Number	PU (SPU)
● black	A	L N	890-702	50 (50)
○ white	A	L N	890-722	50 (50)

Standard network application

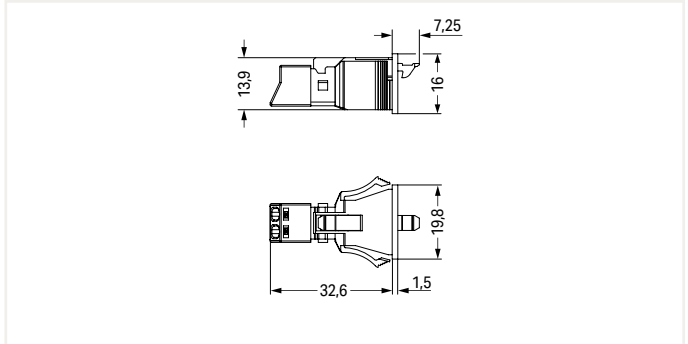
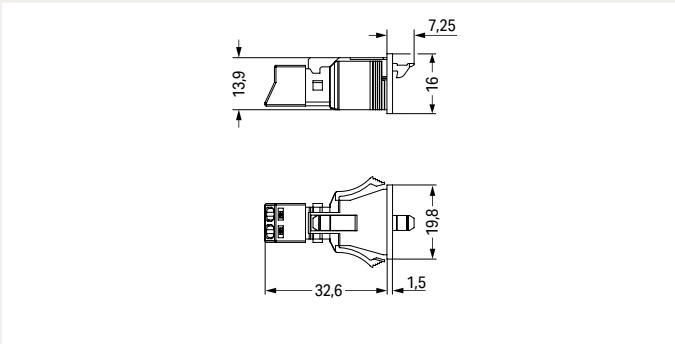
Color	Coding	Marking	Item Number	PU (SPU)
● black	A	L N	890-712	50 (50)
○ white	A	L N	890-732	50 (50)

Lighting management

Color	Coding	Marking	Item Number	PU (SPU)
● blue	I	+ -	890-2102	50 (50)

Lighting management

Color	Coding	Marking	Item Number	PU (SPU)
● blue	I	+ -	890-2112	50 (50)



Accessories; for all products on this page



Operating tool; for WAGO connectors WINSTA® MINI; No. of poles: 2

Color	Item Number	PU
● green	890-382	1

Lockout cap; for cutout; No. of poles: 2

Color	Item Number	PU
● black	890-642	100
○ white	890-692	100

PU = Packaging Unit; SPU = Subpackaging Unit; Dimensions in mm

Pluggable PCB Connector ▶ WINSTA® MINI ▶ Serie 890

No. of poles: 2

1



- Protected against mismatching and maintenance-free
- Push-in CAGE CLAMP® spring pressure connection technology allows solid conductors to be simply pushed into a unit
- Compact design with 4.4 mm pole spacing

Electrical Data

Coding	A; I		
Ratings per	IEC/EN 60664-1		
Overvoltage category	III	III	II
Pollution degree	3	2	2
Rated voltage	250 V	-	-
Rated impulse voltage	4 kV	-	-
Rated current	16 A	-	-

Material Data

Insulating material	Polyamide 66 (PA 66)
Clamping spring material	Chrome nickel spring steel (CrNi)
Contact material	Copper or copper alloy; surface-treated

Mechanical Data

Solder pin arrangement	2 in-line solder pins/pole
Solder pin length	3.5 mm
Solder pin dimensions	1 x 0.8 mm
Drilled hole diameter (tolerance)	1.3 (+0.1 ... +0.1) mm
Number of mating cycles	200, without resistive load 100, with resistive load $I_N = 16$ A, tested (1.5 mm ² /16 AWG)
Mating force of a plug-in connection	Approx. 20 ... 70 N (depending on pole number)
Unmating force of a plug-in connection	When unlocked: approx. 20 ... 70 N (depending on pole number)
Retention force of a plug-in connection	When locked: > 80 N

Environmental Requirements

Processing temperature	-5 ... +40 °C
Continuous operating temperature	-35 ... +85 °C
Note on continuous service temperature	Insulating parts for temperatures ≤ 105 °C

All connectors for mounted installations (snap-in versions for lighting fixtures or devices, all types of PCB and distribution connectors) are factory-equipped with locking levers to ensure plugs and sockets are securely locked. Additional locking levers are only required for flying leads (plug/socket).

Application note for the U.S. market (USR): Some versions may also be used for current interruption in accordance with the UL certificate in select applications with currents below 5 A and voltages up to 600 V. For further information, please contact your local sales office.

All WINSTA® components are 100% protected against mismatching in terms of:

- plugging different number of poles
- plugging when turned by 180°
- plugging when laterally staggered
- plugging one pole

Additional information, see "Technical Section"

Approvals and corresponding ratings, visit www.wago.com

Pluggable PCB Connector ▶ WINSTA® MINI ▶ Serie 890

No. of poles: 2

Straight ▶ Female connector/socket

Straight ▶ Male connector/plug



1

Standard network application

Color	Coding	Marking	Item Number	PU
● black	A	L N	890-802	100
○ white	A	L N	890-822	100

Standard network application

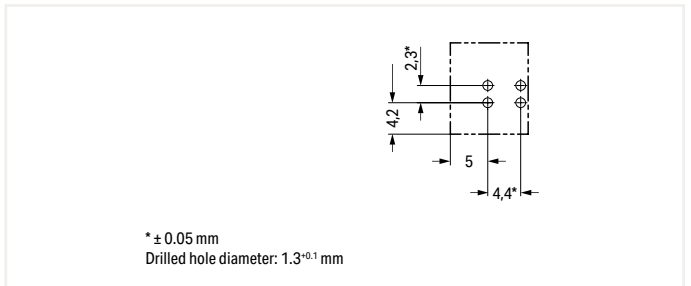
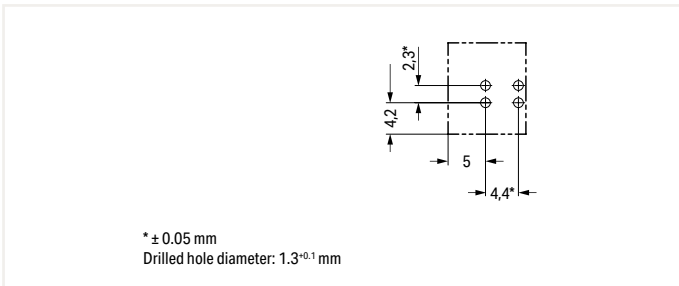
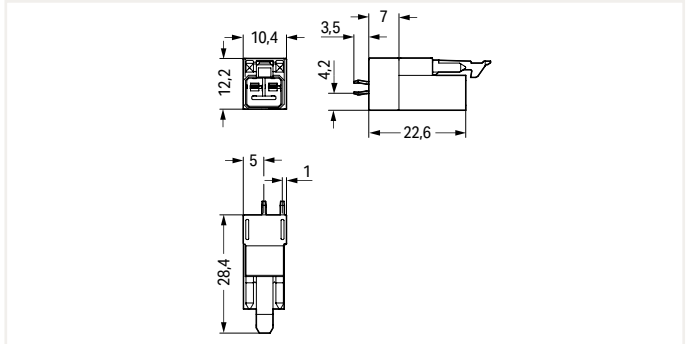
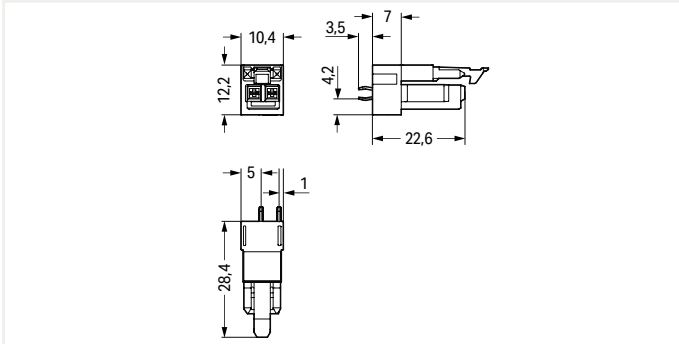
Color	Coding	Marking	Item Number	PU
● black	A	L N	890-812	100
○ white	A	L N	890-832	100

Lighting management

Color	Coding	Marking	Item Number	PU
● blue	I	+ -	890-3102	100

Lighting management

Color	Coding	Marking	Item Number	PU
● blue	I	+ -	890-3112	100



Sold & Serviced By:



Toll Free Phone (877) SERV098

www.electromate.com

sales@electromate.com

PU = Packaging Unit; SPU = Subpackaging Unit; Dimensions in mm

Pluggable PCB Connector ▶ WINSTA® MINI ▶ Serie 890

No. of poles: 2

Angled ▶ Female connector/socket

Angled ▶ Male connector/plug

1



Standard network application

Color	Coding	Marking	Item Number	PU
● black	A	L N	890-802/011-000	100
○ white	A	L N	890-822/011-000	100

Standard network application

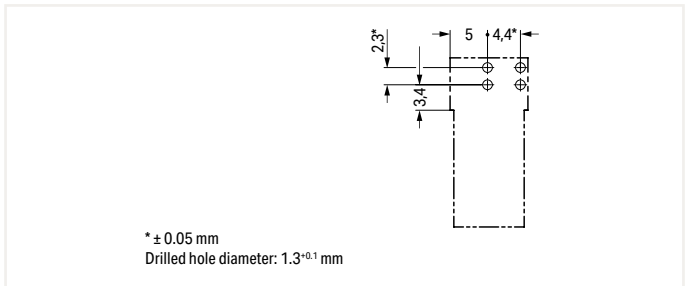
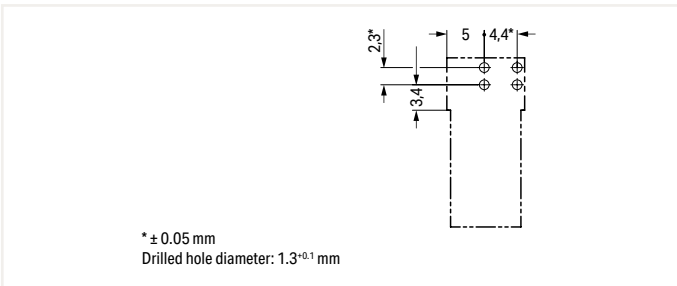
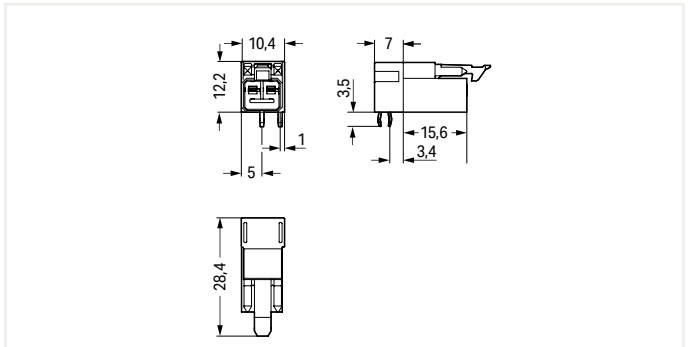
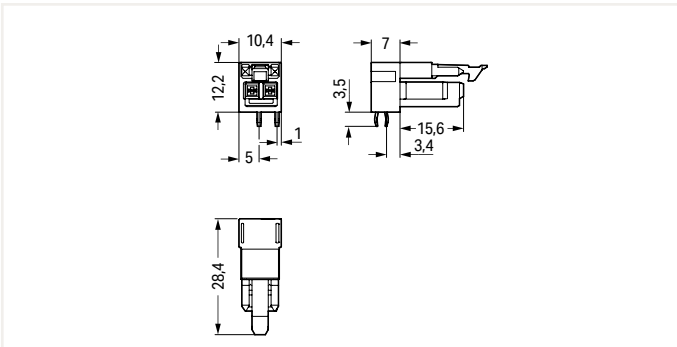
Color	Coding	Marking	Item Number	PU
● black	A	L N	890-812/011-000	100
○ white	A	L N	890-832/011-000	100

Lighting management

Color	Coding	Marking	Item Number	PU
● blue	I	+ -	890-3102/011-000	100

Lighting management

Color	Coding	Marking	Item Number	PU
● blue	I	+ -	890-3112/011-000	100



Sold & Serviced By:



Toll Free Phone (877) SERV098
www.electromate.com
sales@electromate.com

Distribution Connector ▶ WINSTA® MINI ▶ Serie 890

No. of poles: 2 ▶ Protection class: IP20; IP40 when mated

1



- Protected against mismatching and maintenance-free
- Compact design with 4.4 mm pole spacing
- When assembled, the installation connectors complies with IP40 and are suitable for easily accessible areas

Electrical Data

Coding	A; I		
Ratings per	IEC/EN 60664-1		
Overvoltage category	III	III	II
Pollution degree	3	2	2
Rated voltage	250 V	-	-
Rated impulse voltage	4 kV	-	-
Rated current	16 A	-	-

Material Data

Insulating material	Polyamide 66 (PA 66)
Contact material	Copper or copper alloy; surface-treated

Mechanical Data

Number of mating cycles	200, without resistive load 100, with resistive load $I_N = 16$ A, tested (1.5mm ² /AWG 16)
Mating force of a plug-in connection	approx. 20 ... 70 N (depending on pole number)
Unmating force of a plug-in connection	when unlocked: approx. 20 ... 70 N (depending on pole number)
Retention force of a plug-in connection	When locked: > 80 N
Protection class	IP20
Note on protection class	IP40 when mated

Environmental Requirements

Processing temperature	-5 ... +40 °C
Continuous operating temperature	-35 ... +85 °C
Note on continuous service temperature	Insulating parts for temperatures ≤ 105 °C

All connectors for mounted installations (snap-in versions for lighting fixtures or devices, all types of PCB and distribution connectors) are factory-equipped with locking levers to ensure plugs and sockets are securely locked. Additional locking levers are only required for flying leads (plug/socket).

Application note for the U.S. market (USR): Some versions may also be used for current interruption in accordance with the UL certificate in select applications with currents below 5 A and voltages up to 600 V. For further information, please contact your local sales office.

All WINSTA® components are 100% protected against mismatching in terms of:

- plugging different number of poles
- plugging when turned by 180°
- plugging when laterally staggered
- plugging one pole

Additional information, see "Technical Section"

Approvals and corresponding ratings, visit www.wago.com

Distribution Connector ▶ WINSTA® MINI ▶ Serie 890

No. of poles: 2 ▶ Protection class: IP20; IP40 when mated

T-distribution connector ▶ Number of locking levers: 2

T-distribution connector ▶ Number of locking levers: 3 ▶ for flying leads



1

Fig. similar

Standard network application

Color	Coding	Marking	Item Number	PU
● black	A	L N	890-1606	25
○ white	A	L N	890-1656	25

Standard network application

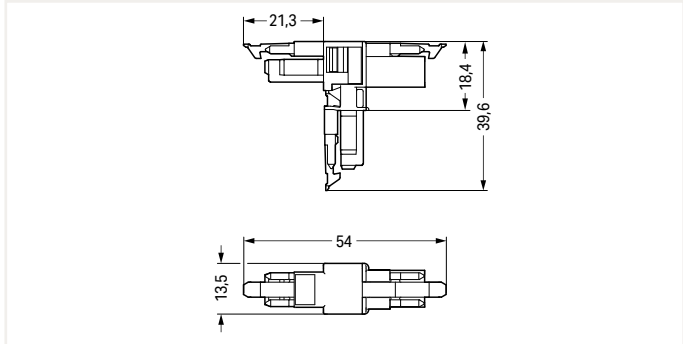
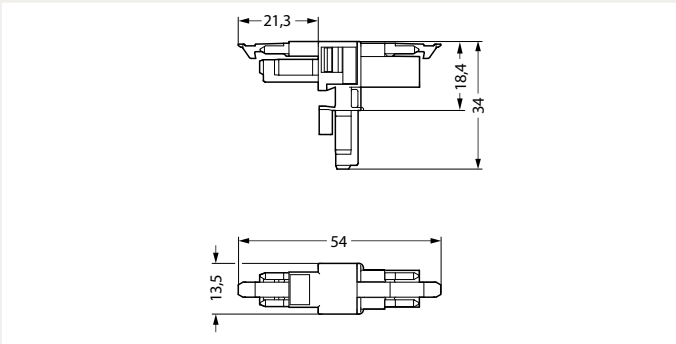
Color	Coding	Marking	Item Number	PU
● black	A	L N	890-1615	25
○ white	A	L N	890-1665	25

Lighting management

Color	Coding	Marking	Item Number	PU
● blue	I	+ -	890-1617	25

Lighting management ▶ for flying leads

Color	Coding	Marking	Item Number	PU
● blue	I	+ -	890-1620	25



PU = Packaging Unit; SPU = Subpackaging Unit; Dimensions in mm

Distribution Connector ▶ WINSTA® MINI ▶ Serie 890

No. of poles: 2 ▶ Protection class: IP20; IP40 when mated

h-distribution connector, unidirectional ▶ Number of locking levers: 2 ▶ Standard network application

h-distribution connector, unidirectional ▶ Number of locking levers: 3 ▶ Standard network application ▶ for flying leads

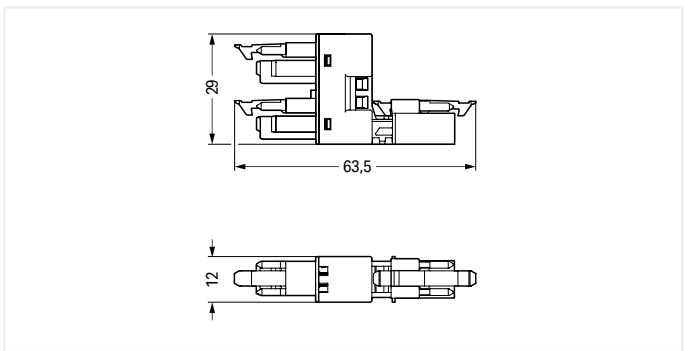
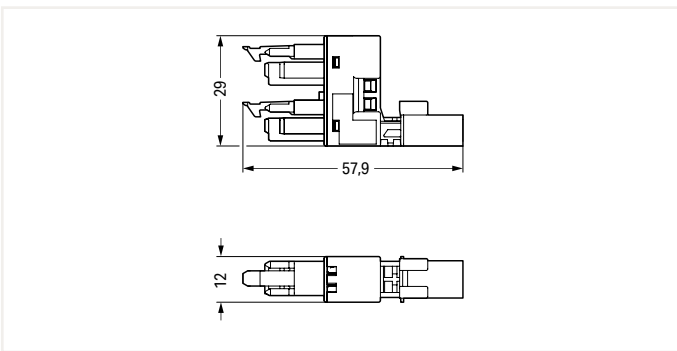
1



Fig. similar

Color	Coding	Marking	Item Number	PU
● black	A	L N	890-1634	50
○ white	A	L N	890-1684	50

Color	Coding	Marking	Item Number	PU
● black	A	L N	890-1636	50
○ white	A	L N	890-1686	50



Sold & Serviced By:
 **ELECTROMATE**
 Toll Free Phone (877) SERV098
www.electromate.com
sales@electromate.com

Accessories; for all products on this page



Mounting plate; for distribution connector (except T-distribution connector); 2-pole

Color	Item Number	PU
● black	890-1622	50
○ white	890-1672	50

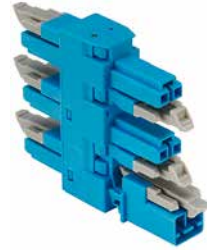
PU = Packaging Unit; SPU = Subpackaging Unit; Dimensions in mm

Distribution Connector ▶ WINSTA® MINI ▶ Serie 890

No. of poles: 2 ▶ Protection class: IP20; IP40 when mated

Distribution connector, 3-way ▶ Lighting management

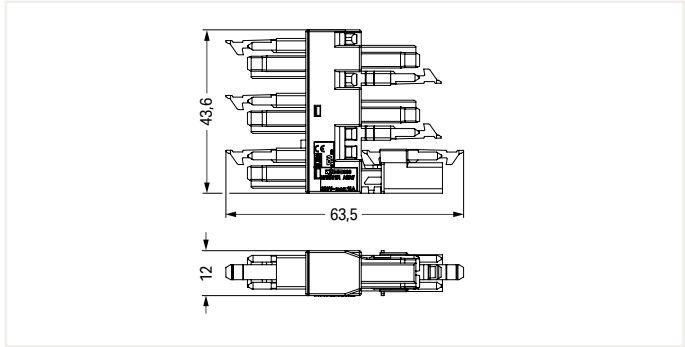
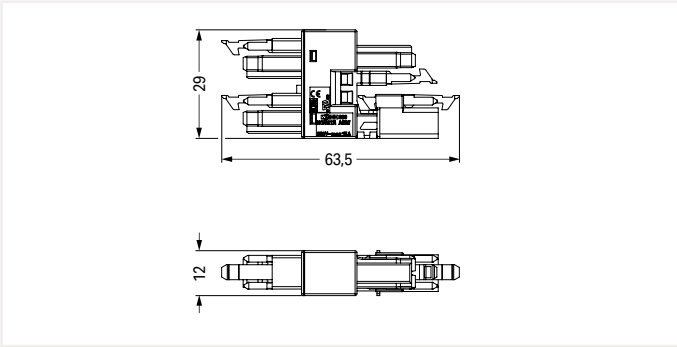
Distribution connector, 5-way ▶ Lighting management



1

Color	Coding	Marking	Item Number	PU
● blue	I	+ -	890-1904	50

Color	Coding	Marking	Item Number	PU
● blue	I	+ -	890-1907	50



Accessories; for all products on this page



Mounting plate; for distribution connector (except T-distribution connector); 2-pole

Color	Item Number	PU
● black	890-1622	50
○ white	890-1672	50

PU = Packaging Unit; SPU = Subpackaging Unit; Dimensions in mm

Cable Assembly ▶ WINSTA® MINI ▶ Serie 891No. of poles: 2 ▶ Reaction to fire class per EN 50575: E_{ca}

1



- Protected against mismatching and maintenance-free
- Compact design with 4.4 mm pole spacing
- When assembled, the installation connectors comply with IP40 and are suitable for easily accessible areas

Electrical Data						
Cross section of single conductor	1 mm ²			1.5 mm ²		
Coding	A			A; I		
Ratings per	IEC/EN 60664-1			IEC/EN 60664-1		
Overtoltage category	III	III	II	III	III	II
Pollution degree	3	2	2	3	2	2
Rated voltage	250 V	-	-	250 V	-	-
Rated impulse voltage	4 kV	-	-	4 kV	-	-
Rated current	10 A	-	-	16 A	-	-

Material Data	
Insulating material	Polyamide 66 (PA 66)
Contact material	Copper or copper alloy; surface-treated
Reaction to fire class per EN 50575	E _{ca}

Mechanical Data	
Number of mating cycles	200, without resistive load 100, with resistive load I _N = 16 A, tested (1.5 mm ² /AWG 16)
Mating force of a plug-in connection	approx. 20 ... 70 N (depending on pole number)
Unmating force of a plug-in connection	when unlocked: approx. 20 ... 70 N (depending on pole number)
Retention force of a plug-in connection	when locked: > 80N
Note on protection class	IP40 when mated

Environmental Requirements	
Processing temperature	-5 ... +40 °C
Continuous operating temperature	-35 ... +85 °C
Note on continuous service temperature	PVC cable for temperatures ≤ 70 °C (including halogen-free) Insulating parts for temperatures ≤ 105 °C

Cables with different fire load are available in the eShop

Application note for the U.S. market (USR): Some versions may also be used for current interruption in accordance with the UL certificate in select applications with currents below 5 A and voltages up to 600 V. For further information, please contact your local sales office.

All WINSTA® components are 100% protected against mismatching in terms of:

- plugging different number of poles
- plugging when turned by 180°
- plugging when laterally staggered
- plugging one pole

Additional information, see "Technical Section"

Approvals and corresponding ratings, visit www.wago.com

Sold & Serviced By:

 **ELECTROMATE**

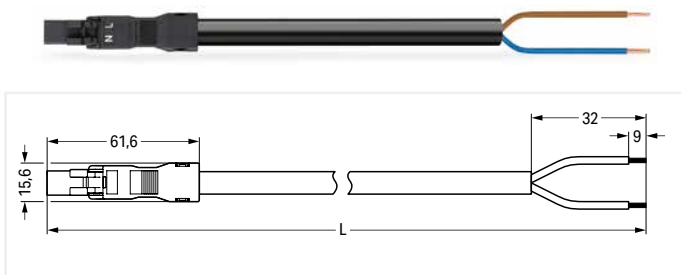
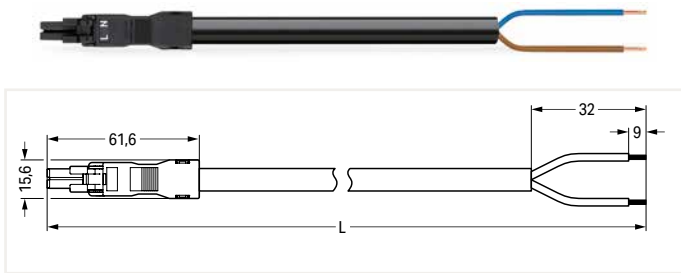
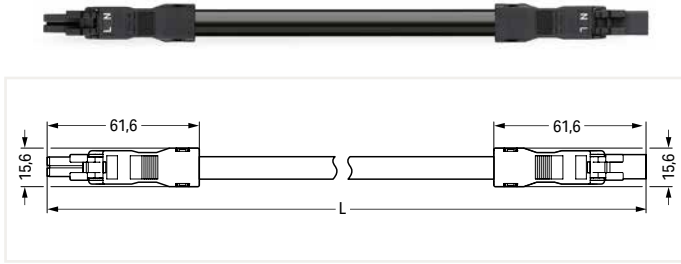
Toll Free Phone (877) SERV098

www.electromate.com

sales@electromate.com

Cable Assembly ▶ WINSTA® MINI ▶ Serie 891

No. of poles: 2 ▶ Reaction to fire class per EN 50575: E_{ca} ▶ 1 mm² ▶ Coding: A ▶ Marking: L N ▶ PVC
 ▶ Cable diameter: 5.9 ... 7.5 mm ▶ H05VV-F 2x1



Interconnecting cable ▶ Protection class: IP20; IP40 when mated ▶ Socket - Plug			
Total length	Connector color / Strain relief color		PU
	black / black	white / white	
1 m	891-8992/005-101	891-8992/005-102	1
2 m	891-8992/005-201	891-8992/005-202	1
3 m	891-8992/005-301	891-8992/005-302	1
4 m	891-8992/005-401	891-8992/005-402	1
5 m	891-8992/005-501	891-8992/005-502	1
6 m	891-8992/005-601	891-8992/005-602	1
7 m	891-8992/005-701	891-8992/005-702	1
8 m	891-8992/005-801	891-8992/005-802	1

Connecting cable ▶ Protection class: IP40 ▶ Socket - Free end			
Total length	Connector color / Strain relief color		PU
	black / black	white / white	
1 m	891-8992/105-101	891-8992/105-102	1
2 m	891-8992/105-201	891-8992/105-202	1
3 m	891-8992/105-301	891-8992/105-302	1
4 m	891-8992/105-401	891-8992/105-402	1
5 m	891-8992/105-501	891-8992/105-502	1
6 m	891-8992/105-601	891-8992/105-602	1
7 m	891-8992/105-701	891-8992/105-702	1
8 m	891-8992/105-801	891-8992/105-802	1

Connecting cable ▶ Protection class: IP20; IP40 when mated ▶ Plug - Free end			
Total length	Connector color / Strain relief color		PU
	black / black	white / white	
1 m	891-8992/205-101	891-8992/205-102	1
2 m	891-8992/205-201	891-8992/205-202	1
3 m	891-8992/205-301	891-8992/205-302	1
4 m	891-8992/205-401	891-8992/205-402	1
5 m	891-8992/205-501	891-8992/205-502	1
6 m	891-8992/205-601	891-8992/205-602	1
7 m	891-8992/205-701	891-8992/205-702	1
8 m	891-8992/205-801	891-8992/205-802	1

1

Accessories; for all products on this page



Locking lever; for flying leads; manually operated		
Color	Item Number	PU (SPU)
● black	890-101	100 (50)
○ white	890-121	100 (50)

Locking lever; for flying leads; tool operated		
Color	Item Number	PU (SPU)
● black	890-111	100 (50)
○ white	890-131	100 (50)

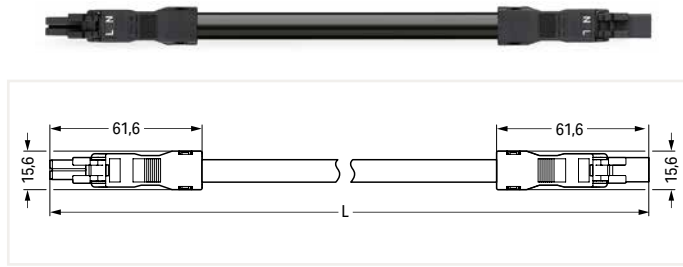
Mounting adapter; for 2- to 5-pole for flying leads		
Color	Item Number	PU
● black	890-310	100
○ white	890-311	100

PU = Packaging Unit; SPU = Subpackaging Unit; Dimensions in mm

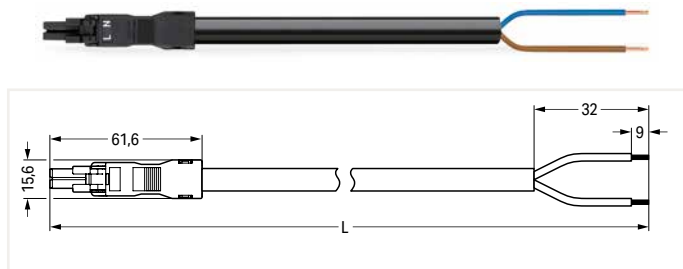
Cable Assembly ▶ WINSTA® MINI ▶ Serie 891

No. of poles: 2 ▶ Reaction to fire class per EN 50575: E_{ca} ▶ 1 mm² ▶ Coding: A ▶ Marking: L N ▶ Halogen-free ▶ Cable diameter: 5.9 ... 7.5 mm ▶ H05Z1Z1-F 2x1

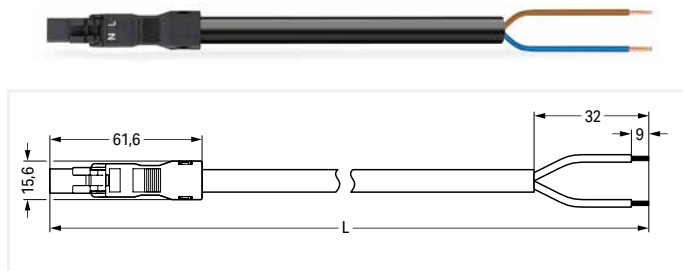
1



Interconnecting cable ▶ Protection class: IP20; IP40 when mated ▶ Socket - Plug			
Total length	Connector color / Strain relief color		PU
	black / black	white / white	
1 m	891-8992/015-101	891-8992/015-102	1
2 m	891-8992/015-201	891-8992/015-202	1
3 m	891-8992/015-301	891-8992/015-302	1
4 m	891-8992/015-401	891-8992/015-402	1
5 m	891-8992/015-501	891-8992/015-502	1
6 m	891-8992/015-601	891-8992/015-602	1
7 m	891-8992/015-701	891-8992/015-702	1
8 m	891-8992/015-801	891-8992/015-802	1



Connecting cable ▶ Protection class: IP40 ▶ Socket - Free end			
Total length	Connector color / Strain relief color		PU
	black / black	white / white	
1 m	891-8992/115-101	891-8992/115-102	1
2 m	891-8992/115-201	891-8992/115-202	1
3 m	891-8992/115-301	891-8992/115-302	1
4 m	891-8992/115-401	891-8992/115-402	1
5 m	891-8992/115-501	891-8992/115-502	1
6 m	891-8992/115-601	891-8992/115-602	1
7 m	891-8992/115-701	891-8992/115-702	1
8 m	891-8992/115-801	891-8992/115-802	1



Connecting cable ▶ Protection class: IP20; IP40 when mated ▶ Plug - Free end			
Total length	Connector color / Strain relief color		PU
	black / black	white / white	
1 m	891-8992/215-101	891-8992/215-102	1
2 m	891-8992/215-201	891-8992/215-202	1
3 m	891-8992/215-301	891-8992/215-302	1
4 m	891-8992/215-401	891-8992/215-402	1
5 m	891-8992/215-501	891-8992/215-502	1
6 m	891-8992/215-601	891-8992/215-602	1
7 m	891-8992/215-701	891-8992/215-702	1
8 m	891-8992/215-801	891-8992/215-802	1

Accessories; for all products on this page



Locking lever; for flying leads; manually operated			Locking lever; for flying leads; tool operated			Mounting adapter; for 2- to 5-pole for flying leads		
Color	Item Number	PU (SPU)	Color	Item Number	PU (SPU)	Color	Item Number	PU
● black	890-101	100 (50)	● black	890-111	100 (50)	● black	890-310	100
○ white	890-121	100 (50)	○ white	890-131	100 (50)	○ white	890-311	100

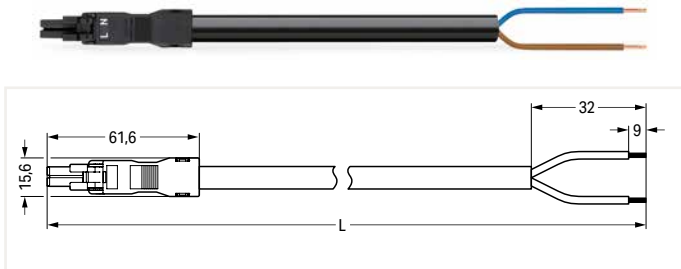
PU = Packaging Unit; SPU = Subpackaging Unit; Dimensions in mm

Cable Assembly ▶ WINSTA® MINI ▶ Serie 891

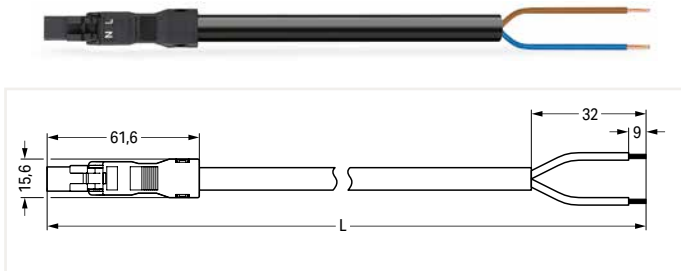
No. of poles: 2 ▶ Reaction to fire class per EN 50575: E_{ca} ▶ 1.5 mm² ▶ Coding: A ▶ Marking: L N ▶ PVC ▶ Cable diameter: 6.8 ... 8.6 mm ▶ H05VV-F 2x1.5



Interconnecting cable ▶ Protection class: IP20; IP40 when mated ▶ Socket - Plug			
Total length	Connector color / Strain relief color		PU
	black / black	white / white	
1 m	891-8992/006-101	891-8992/006-102	1
2 m	891-8992/006-201	891-8992/006-202	1
3 m	891-8992/006-301	891-8992/006-302	1
4 m	891-8992/006-401	891-8992/006-402	1
5 m	891-8992/006-501	891-8992/006-502	1
6 m	891-8992/006-601	891-8992/006-602	1
7 m	891-8992/006-701	891-8992/006-702	1
8 m	891-8992/006-801	891-8992/006-802	1



Connecting cable ▶ Protection class: IP40 ▶ Socket - Free end			
Total length	Connector color / Strain relief color		PU
	black / black	white / white	
1 m	891-8992/106-101	891-8992/106-102	1
2 m	891-8992/106-201	891-8992/106-202	1
3 m	891-8992/106-301	891-8992/106-302	1
4 m	891-8992/106-401	891-8992/106-402	1
5 m	891-8992/106-501	891-8992/106-502	1
6 m	891-8992/106-601	891-8992/106-602	1
7 m	891-8992/106-701	891-8992/106-702	1
8 m	891-8992/106-801	891-8992/106-802	1



Connecting cable ▶ Protection class: IP20; IP40 when mated ▶ Plug - Free end			
Total length	Connector color / Strain relief color		PU
	black / black	white / white	
1 m	891-8992/206-101	891-8992/206-102	1
2 m	891-8992/206-201	891-8992/206-202	1
3 m	891-8992/206-301	891-8992/206-302	1
4 m	891-8992/206-401	891-8992/206-402	1
5 m	891-8992/206-501	891-8992/206-502	1
6 m	891-8992/206-601	891-8992/206-602	1
7 m	891-8992/206-701	891-8992/206-702	1
8 m	891-8992/206-801	891-8992/206-802	1

Accessories; for all products on this page



Locking lever; for flying leads; manually operated		
Color	Item Number	PU (SPU)
● black	890-101	100 (50)
○ white	890-121	100 (50)



Locking lever; for flying leads; tool operated		
Color	Item Number	PU (SPU)
● black	890-111	100 (50)
○ white	890-131	100 (50)



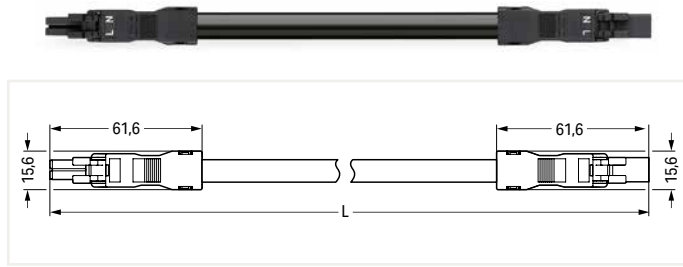
Mounting adapter; for 2- to 5-pole for flying leads		
Color	Item Number	PU
● black	890-310	100
○ white	890-311	100

PU = Packaging Unit; SPU = Subpackaging Unit; Dimensions in mm

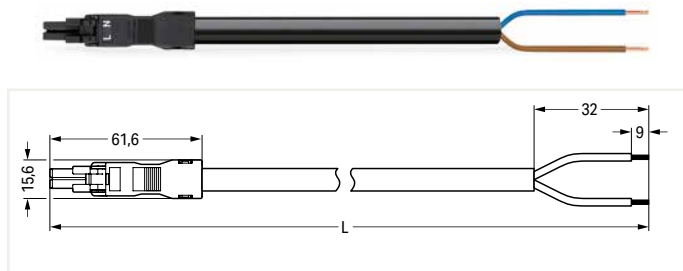
Cable Assembly ▶ WINSTA® MINI ▶ Serie 891

No. of poles: 2 ▶ Reaction to fire class per EN 50575: E_{ca} ▶ 1.5 mm² ▶ Coding: A ▶ Marking: L N ▶ Halogen-free ▶ Cable diameter: 6.8 ... 8.6 mm ▶ H05Z1Z1-F 2x1.5

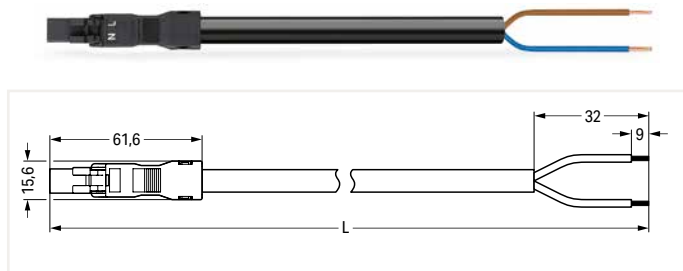
1



Interconnecting cable ▶ Protection class: IP20; IP40 when mated ▶ Socket - Plug			
Total length	Connector color / Strain relief color		PU
	black / black	white / white	
1 m	891-8992/016-101	891-8992/016-102	1
2 m	891-8992/016-201	891-8992/016-202	1
3 m	891-8992/016-301	891-8992/016-302	1
4 m	891-8992/016-401	891-8992/016-402	1
5 m	891-8992/016-501	891-8992/016-502	1
6 m	891-8992/016-601	891-8992/016-602	1
7 m	891-8992/016-701	891-8992/016-702	1
8 m	891-8992/016-801	891-8992/016-802	1



Connecting cable ▶ Protection class: IP40 ▶ Socket - Free end			
Total length	Connector color / Strain relief color		PU
	black / black	white / white	
1 m	891-8992/116-101	891-8992/116-102	1
2 m	891-8992/116-201	891-8992/116-202	1
3 m	891-8992/116-301	891-8992/116-302	1
4 m	891-8992/116-401	891-8992/116-402	1
5 m	891-8992/116-501	891-8992/116-502	1
6 m	891-8992/116-601	891-8992/116-602	1
7 m	891-8992/116-701	891-8992/116-702	1
8 m	891-8992/116-801	891-8992/116-802	1



Connecting cable ▶ Protection class: IP20; IP40 when mated ▶ Plug - Free end			
Total length	Connector color / Strain relief color		PU
	black / black	white / white	
1 m	891-8992/216-101	891-8992/216-102	1
2 m	891-8992/216-201	891-8992/216-202	1
3 m	891-8992/216-301	891-8992/216-302	1
4 m	891-8992/216-401	891-8992/216-402	1
5 m	891-8992/216-501	891-8992/216-502	1
6 m	891-8992/216-601	891-8992/216-602	1
7 m	891-8992/216-701	891-8992/216-702	1
8 m	891-8992/216-801	891-8992/216-802	1

Accessories; for all products on this page

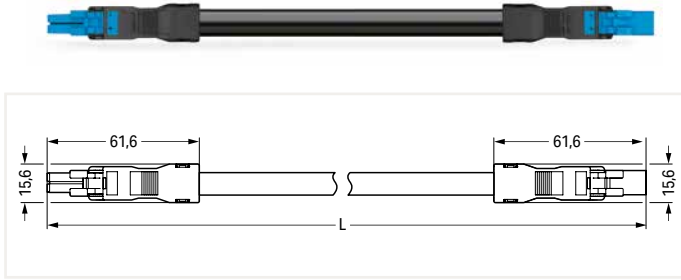


Locking lever; for flying leads; manually operated			Locking lever; for flying leads; tool operated			Mounting adapter; for 2- to 5-pole for flying leads		
Color	Item Number	PU (SPU)	Color	Item Number	PU (SPU)	Color	Item Number	PU
● black	890-101	100 (50)	● black	890-111	100 (50)	● black	890-310	100
○ white	890-121	100 (50)	○ white	890-131	100 (50)	○ white	890-311	100

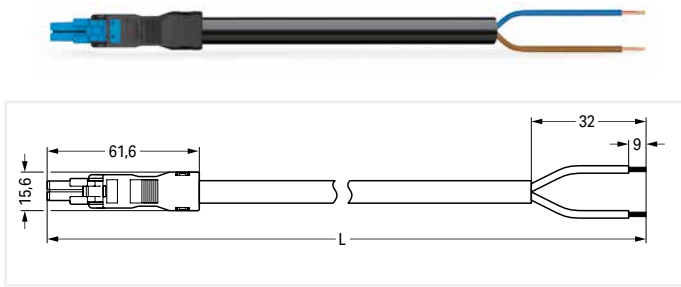
PU = Packaging Unit; SPU = Subpackaging Unit; Dimensions in mm

Cable Assembly ▶ WINSTA® MINI ▶ Serie 891

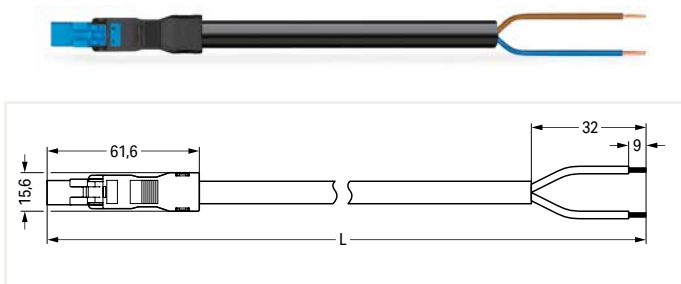
No. of poles: 2 ▶ Reaction to fire class per EN 50575: E_{ca} ▶ 1.5 mm² ▶ Coding: I ▶ Marking: + - ▶ PVC
 ▶ Cable diameter: 6.8 ... 8.6 mm ▶ H05VV-F 2x1.5



Total length	Connector color / Strain relief color		PU
	blue / black	blue / white	
1 m	891-8982/006-101	891-8982/006-102	1
2 m	891-8982/006-201	891-8982/006-202	1
3 m	891-8982/006-301	891-8982/006-302	1
4 m	891-8982/006-401	891-8982/006-402	1
5 m	891-8982/006-501	891-8982/006-502	1
6 m	891-8982/006-601	891-8982/006-602	1
7 m	891-8982/006-701	891-8982/006-702	1
8 m	891-8982/006-801	891-8982/006-802	1



Total length	Connector color / Strain relief color		PU
	blue / black	blue / white	
1 m	891-8982/106-101	891-8982/106-102	1
2 m	891-8982/106-201	891-8982/106-202	1
3 m	891-8982/106-301	891-8982/106-302	1
4 m	891-8982/106-401	891-8982/106-402	1
5 m	891-8982/106-501	891-8982/106-502	1
6 m	891-8982/106-601	891-8982/106-602	1
7 m	891-8982/106-701	891-8982/106-702	1
8 m	891-8982/106-801	891-8982/106-802	1



Total length	Connector color / Strain relief color		PU
	blue / black	blue / white	
1 m	891-8982/206-101	891-8982/206-102	1
2 m	891-8982/206-201	891-8982/206-202	1
3 m	891-8982/206-301	891-8982/206-302	1
4 m	891-8982/206-401	891-8982/206-402	1
5 m	891-8982/206-501	891-8982/206-502	1
6 m	891-8982/206-601	891-8982/206-602	1
7 m	891-8982/206-701	891-8982/206-702	1
8 m	891-8982/206-801	891-8982/206-802	1

Accessories; for all products on this page



Locking lever; for flying leads; manually operated		
Color	Item Number	PU (SPU)
● black	890-101	100 (50)
○ white	890-121	100 (50)



Locking lever; for flying leads; tool operated		
Color	Item Number	PU (SPU)
● black	890-111	100 (50)
○ white	890-131	100 (50)



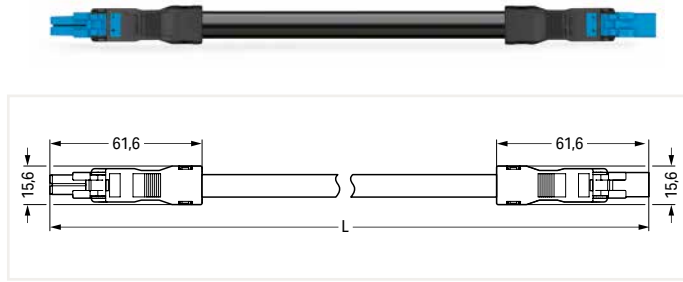
Mounting adapter; for 2- to 5-pole for flying leads		
Color	Item Number	PU
● black	890-310	100
○ white	890-311	100

PU = Packaging Unit; SPU = Subpackaging Unit; Dimensions in mm

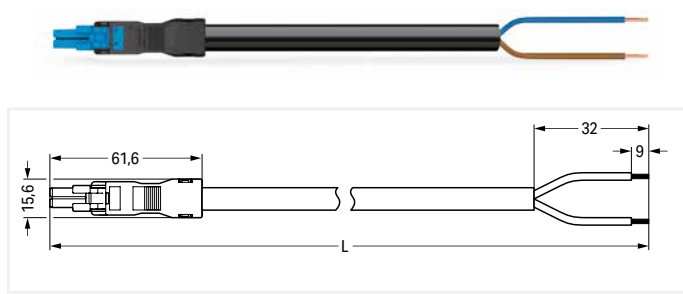
Cable Assembly ▶ WINSTA® MINI ▶ Serie 891

No. of poles: 2 ▶ Reaction to fire class per EN 50575: E_{ca} ▶ 1.5 mm² ▶ Coding: I ▶ Marking: + - ▶ Halogen-free ▶ Cable diameter: 6.8 ... 8.6 mm ▶ H05Z1Z1-F 2x1.5

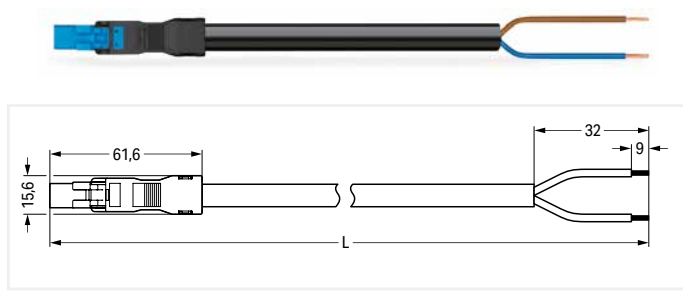
1



Interconnecting cable ▶ Protection class: IP20; IP40 when mated ▶ Socket - Plug			
Total length	Connector color / Strain relief color		PU
	blue / black	blue / white	
1 m	891-8982/016-101	891-8982/016-102	1
2 m	891-8982/016-201	891-8982/016-202	1
3 m	891-8982/016-301	891-8982/016-302	1
4 m	891-8982/016-401	891-8982/016-402	1
5 m	891-8982/016-501	891-8982/016-502	1
6 m	891-8982/016-601	891-8982/016-602	1
7 m	891-8982/016-701	891-8982/016-702	1
8 m	891-8982/016-801	891-8982/016-802	1



Connecting cable ▶ Protection class: IP40 ▶ Socket - Free end			
Total length	Connector color / Strain relief color		PU
	blue / black	blue / white	
1 m	891-8982/116-101	891-8982/116-102	1
2 m	891-8982/116-201	891-8982/116-202	1
3 m	891-8982/116-301	891-8982/116-302	1
4 m	891-8982/116-401	891-8982/116-402	1
5 m	891-8982/116-501	891-8982/116-502	1
6 m	891-8982/116-601	891-8982/116-602	1
7 m	891-8982/116-701	891-8982/116-702	1
8 m	891-8982/116-801	891-8982/116-802	1



Connecting cable ▶ Protection class: IP20; IP40 when mated ▶ Plug - Free end			
Total length	Connector color / Strain relief color		PU
	blue / black	blue / white	
1 m	891-8982/216-101	891-8982/216-102	1
2 m	891-8982/216-201	891-8982/216-202	1
3 m	891-8982/216-301	891-8982/216-302	1
4 m	891-8982/216-401	891-8982/216-402	1
5 m	891-8982/216-501	891-8982/216-502	1
6 m	891-8982/216-601	891-8982/216-602	1
7 m	891-8982/216-701	891-8982/216-702	1
8 m	891-8982/216-801	891-8982/216-802	1

Accessories; for all products on this page



Locking lever; for flying leads; manually operated		
Color	Item Number	PU (SPU)
● black	890-101	100 (50)
○ white	890-121	100 (50)

Locking lever; for flying leads; tool operated		
Color	Item Number	PU (SPU)
● black	890-111	100 (50)
○ white	890-131	100 (50)

Mounting adapter; for 2- to 5-pole for flying leads		
Color	Item Number	PU
● black	890-310	100
○ white	890-311	100

PU = Packaging Unit; SPU = Subpackaging Unit; Dimensions in mm

Pluggable Connector ▶ WINSTA® MINI ▶ Serie 890

No. of poles: 3 ▶ Standard network application

1



- Protected against mismatching and maintenance-free
- Push-in CAGE CLAMP® spring pressure connection technology allows solid conductors to be simply pushed into a unit
- Compact design with 4.4 mm pole spacing
- When assembled, the installation connectors complies with IP40 and are suitable for easily accessible areas

Electrical Data			
Coding	A		
Ratings per	IEC/EN 60664-1		
Overvoltage category	III	III	II
Pollution degree	3	2	2
Rated voltage	250 V	-	-
Rated impulse voltage	4 kV	-	-
Rated current	16 A	-	-

Connection Data	
Connection technology	Push-in CAGE CLAMP®
Strip length	9 mm / 0.35 inch
Nominal cross section	1.5 mm ²
Solid conductor	0.25 ... 1.5 mm ² / 22 ... 16 AWG
Solid conductor, push-in termination	0.75 ... 1.5 mm ² / 20 ... 16 AWG
Stranded conductor	0.25 ... 1 mm ² / 22 ... 18 AWG
Fine-stranded conductor	0.25 ... 1.5 mm ² / 22 ... 16 AWG
Fine-stranded conductor with ferrule with plastic collar	0.25 ... 0.75 mm ² / 22 ... 20 AWG
Fine-stranded conductor with ferrule without plastic collar	0.25 ... 0.75 mm ² / 22 ... 20 AWG
Fine-stranded conductor with ferrule, push-in termination, from	0.75 mm ² / 20 AWG

Material Data	
Insulating material	Polyamide 66 (PA 66)
Clamping spring material	Chrome nickel spring steel (CrNi)
Contact material	Copper or copper alloy; surface-treated

Mechanical Data	
Number of mating cycles	200, without resistive load 100, with resistive load $I_N = 16$ A, tested (1.5 mm ² /AWG 16)
Mating force of a plug-in connection	Approx. 20 ... 70 N (depending on pole number)
Unmating force of a plug-in connection	When unlocked: approx. 20 ... 70 N (depending on pole number)
Retention force of a plug-in connection	When locked: > 80 N

Environmental Requirements	
Processing temperature	-5 ... +40 °C
Continuous operating temperature	-35 ... +85 °C
Note on continuous service temperature	Insulating parts for temperatures ≤ 105 °C

All connectors for mounted installations (snap-in versions for lighting fixtures or devices, all types of PCB and distribution connectors) are factory-equipped with locking levers to ensure plugs and sockets are securely locked. Additional locking levers are only required for flying leads (plug/socket).

Application note for the U.S. market (USR): Some versions may also be used for current interruption in accordance with the UL certificate in select applications with currents below 5 A and voltages up to 600 V. For further information, please contact your local sales office.

All WINSTA® components are 100% protected against mismatching in terms of:

- plugging different number of poles
- plugging when turned by 180°
- plugging when laterally staggered
- plugging one pole

Shield connection Page 469

Tools Page 492

Additional information, see "Technical Section"

Approvals and corresponding ratings, visit www.wago.com

Pluggable Connector ▶ WINSTA® MINI ▶ Serie 890

No. of poles: 3 ▶ Standard network application

strain relief housing ▶ Female connector/socket ▶ Strip length: 40 mm ▶ Protection class: IP40

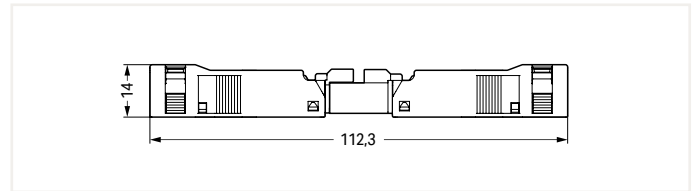
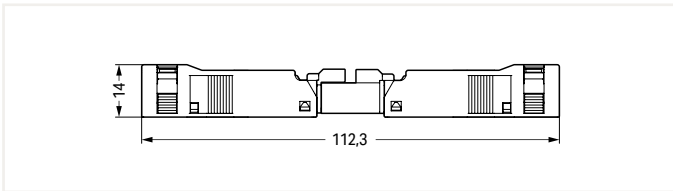
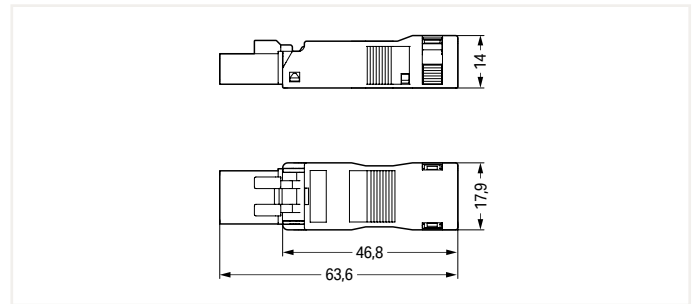
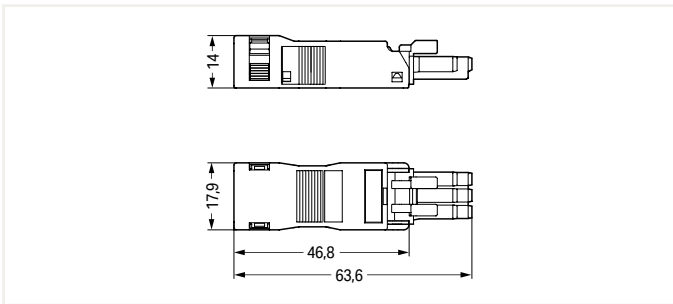
strain relief housing ▶ Male connector/plug ▶ Strip length: 40 mm ▶ Protection class: IP40



1

Color	Coding	Marking	Item Number	PU
● black	A	L ⊕ N	890-103	50
○ white	A	L ⊕ N	890-123	50

Color	Coding	Marking	Item Number	PU
● black	A	L ⊕ N	890-113	50
○ white	A	L ⊕ N	890-133	50



Overall length when mated

Overall length when mated

Accessories; for all products on this page



Locking lever; for flying leads; manually operated		
Color	Item Number	PU (SPU)
● black	890-101	100 (50)
○ white	890-121	100 (50)

Locking lever; for flying leads; tool operated		
Color	Item Number	PU (SPU)
● black	890-111	100 (50)
○ white	890-131	100 (50)

Mounting adapter; for 2- to 5-pole for flying leads		
Color	Item Number	PU
● black	890-310	100
○ white	890-311	100



Operating tool; for WAGO connectors WINSTA® MINI; No. of poles: 3		
Color	Item Number	PU
● green	890-383	1

PU = Packaging Unit; SPU = Subpackaging Unit; Dimensions in mm

Pluggable Connector ▶ WINSTA® MINI ▶ Serie 890

No. of poles: 3 ▶ Standard network application

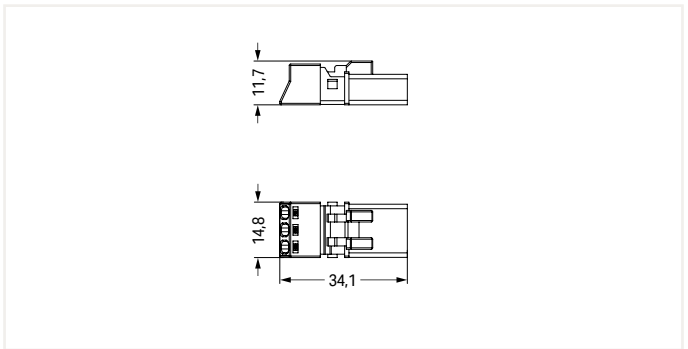
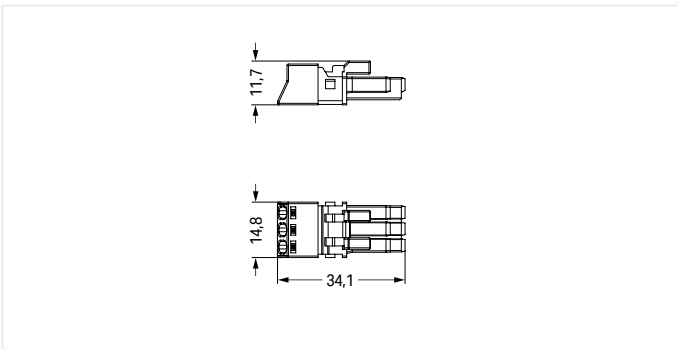
Female connector/socket ▶ Protection class: IP20; IP40 with strain relief housing

Male connector/plug ▶ Protection class: IP20; IP40 when mated with strain relief housing



Color	Coding	Marking	Item Number	PU
● black	A	L ⊕ N	890-203	50
○ white	A	L ⊕ N	890-223	50

Color	Coding	Marking	Item Number	PU
● black	A	L ⊕ N	890-213	50
○ white	A	L ⊕ N	890-233	50



Accessories; for all products on this page



Locking lever; for flying leads; manually operated

Color	Item Number	PU (SPU)
● black	890-101	100 (50)
○ white	890-121	100 (50)

Locking lever; for flying leads; tool operated

Color	Item Number	PU (SPU)
● black	890-111	100 (50)
○ white	890-131	100 (50)

Mounting adapter; for 2- to 5-pole for flying leads

Color	Item Number	PU
● black	890-310	100
○ white	890-311	100



Operating tool; for WAGO connectors WINSTA® MINI; No. of poles: 3

Color	Item Number	PU
● green	890-383	1

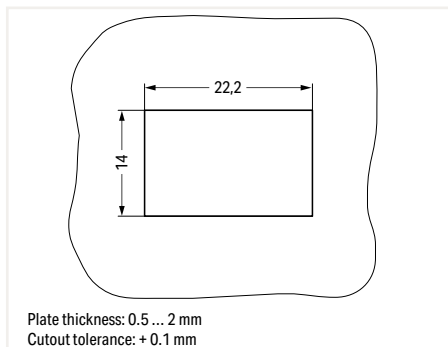
Strain relief housing; Connectable sheathed cable diameter: 4.5 ... 10 mm; Strip length: 40 mm

Color	Item Number	PU
● black	890-503	50
○ white	890-513	50

PU = Packaging Unit; SPU = Subpackaging Unit; Dimensions in mm

Snap-In Device Connector ▶ WINSTA® MINI ▶ Serie 890**No. of poles: 3 ▶ Standard network application**

1



- Protected against mismatching and maintenance-free
- Push-in CAGE CLAMP® spring pressure connection technology allows solid conductors to be simply pushed into a unit
- Compact design with 4.4 mm pole spacing
- When assembled, the installation connectors complies with IP40 and are suitable for easily accessible areas

Electrical Data			
Coding	A		
Ratings per	IEC/EN 60664-1		
Overvoltage category	III	III	II
Pollution degree	3	2	2
Rated voltage	250 V	-	-
Rated impulse voltage	4 kV	-	-
Rated current	16 A	-	-

Connection Data	
Connection technology	Push-in CAGE CLAMP®
Strip length	9 mm / 0.35 inch
Nominal cross section	1.5 mm ²
Solid conductor	0.25 ... 1.5 mm ² / 22 ... 16 AWG
Solid conductor, push-in termination	0.75 ... 1.5 mm ² / 20 ... 16 AWG
Stranded conductor	0.25 ... 1 mm ² / 22 ... 18 AWG
Fine-stranded conductor	0.25 ... 1.5 mm ² / 22 ... 16 AWG
Fine-stranded conductor with ferrule with plastic collar	0.25 ... 0.75 mm ² / 22 ... 20 AWG
Fine-stranded conductor with ferrule without plastic collar	0.25 ... 0.75 mm ² / 22 ... 20 AWG
Fine-stranded conductor with ferrule, push-in termination, from	0.75 mm ² / 20 AWG

Material Data	
Insulating material	Polyamide 66 (PA 66)
Clamping spring material	Chrome nickel spring steel (CrNi)
Contact material	Copper or copper alloy; surface-treated

Mechanical Data	
Number of mating cycles	200, without resistive load 100, with resistive load $I_N = 16$ A, tested (1.5mm ² /AWG 16)
Mating force of a plug-in connection	Approx. 20 ... 70 N (depending on pole number)
Unmating force of a plug-in connection	When unlocked: approx. 20 ... 70 N (depending on pole number)
Retention force of a plug-in connection	When locked: > 80 N

Environmental Requirements	
Processing temperature	-5 ... +40 °C
Continuous operating temperature	-35 ... +85 °C
Note on continuous service temperature	Insulating parts for temperatures ≤ 105 °C

All connectors for mounted installations (snap-in versions for lighting fixtures or devices, all types of PCB and distribution connectors) are factory-equipped with locking levers to ensure plugs and sockets are securely locked. Additional locking levers are only required for flying leads (plug/socket).

Application note for the U.S. market (USR): Some versions may also be used for current interruption in accordance with the UL certificate in select applications with currents below 5 A and voltages up to 600 V. For further information, please contact your local sales office.

All WINSTA® components are 100% protected against mismatching in terms of:

- plugging different number of poles
- plugging when turned by 180°
- plugging when laterally staggered
- plugging one pole

Tools Page 492

Additional information, see "Technical Section"

Approvals and corresponding ratings, visit www.wago.com

Snap-In Device Connector ▶ WINSTA® MINI ▶ Serie 890

No. of poles: 3 ▶ Standard network application

Female connector/socket ▶ Protection class: IP40

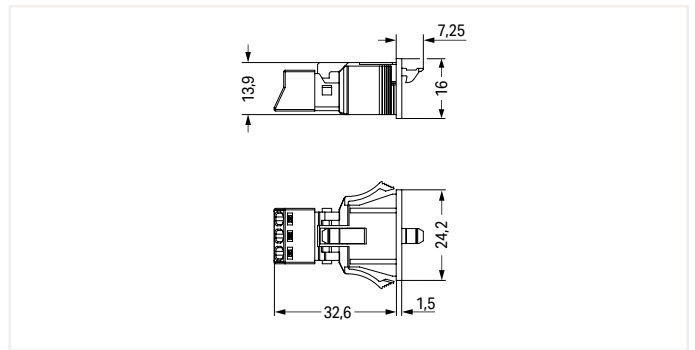
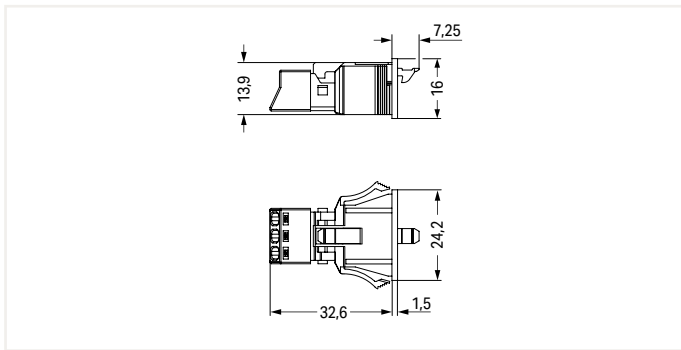
Male connector/plug ▶ Protection class: IP20; IP40 when mated



1

Color	Coding	Marking	Item Number	PU (SPU)
● black	A	L ⊕ N	890-703	50 (50)
○ white	A	L ⊕ N	890-723	50 (50)

Color	Coding	Marking	Item Number	PU (SPU)
● black	A	L ⊕ N	890-713	50 (50)
○ white	A	L ⊕ N	890-733	50 (50)



Accessories; for all products on this page



Operating tool; for WAGO connectors WINSTA® MINI;
No. of poles: 3

Color	Item Number	PU
● green	890-383	1

Lockout cap; for cutout; No. of poles: 3

Color	Item Number	PU
● black	890-643	100
○ white	890-693	100

PU = Packaging Unit; SPU = Subpackaging Unit; Dimensions in mm

Pluggable PCB Connector ▶ WINSTA® MINI ▶ Serie 890

No. of poles: 3 ▶ Standard network application

1



- Protected against mismatching and maintenance-free
- Push-in CAGE CLAMP® spring pressure connection technology allows solid conductors to be simply pushed into a unit
- Compact design with 4.4 mm pole spacing

Electrical Data

Coding	A		
Ratings per	IEC/EN 60664-1		
Overvoltage category	III	III	II
Pollution degree	3	2	2
Rated voltage	250 V	-	-
Rated impulse voltage	4 kV	-	-
Rated current	16 A	-	-

Material Data

Insulating material	Polyamide 66 (PA 66)
Clamping spring material	Chrome nickel spring steel (CrNi)
Contact material	Copper or copper alloy; surface-treated

Mechanical Data

Solder pin arrangement	2 in-line solder pins/pole
Solder pin length	3.5 mm
Solder pin dimensions	1 x 0.8 mm
Drilled hole diameter (tolerance)	1.3 (+0.1 ... +0.1) mm
Number of mating cycles	200, without resistive load 100, with resistive load $I_N = 16$ A, tested (1.5 mm ² /16 AWG)
Mating force of a plug-in connection	Approx. 20 ... 70 N (depending on pole number)
Unmating force of a plug-in connection	When unlocked: approx. 20 ... 70 N (depending on pole number)
Retention force of a plug-in connection	When locked: > 80 N

Environmental Requirements

Processing temperature	-5 ... +40 °C
Continuous operating temperature	-35 ... +85 °C
Note on continuous service temperature	Insulating parts for temperatures ≤ 105 °C

All connectors for mounted installations (snap-in versions for lighting fixtures or devices, all types of PCB and distribution connectors) are factory-equipped with locking levers to ensure plugs and sockets are securely locked. Additional locking levers are only required for flying leads (plug/socket).

Application note for the U.S. market (USR): Some versions may also be used for current interruption in accordance with the UL certificate in select applications with currents below 5 A and voltages up to 600 V. For further information, please contact your local sales office.

All WINSTA® components are 100% protected against mismatching in terms of:

- plugging different number of poles
- plugging when turned by 180°
- plugging when laterally staggered
- plugging one pole

Additional information, see "Technical Section"

Approvals and corresponding ratings, visit www.wago.com

Pluggable PCB Connector ▶ WINSTA® MINI ▶ Serie 890

No. of poles: 3 ▶ Standard network application

Straight ▶ Female connector/socket

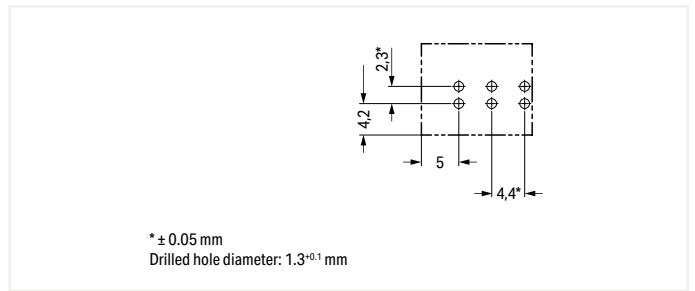
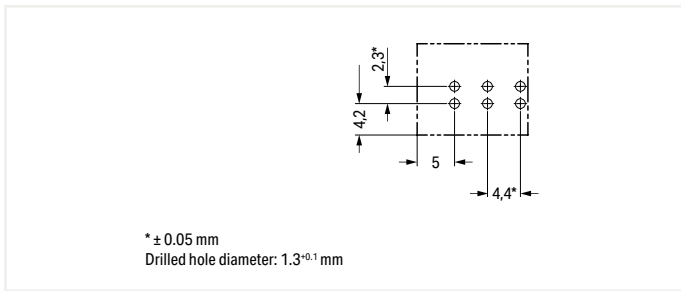
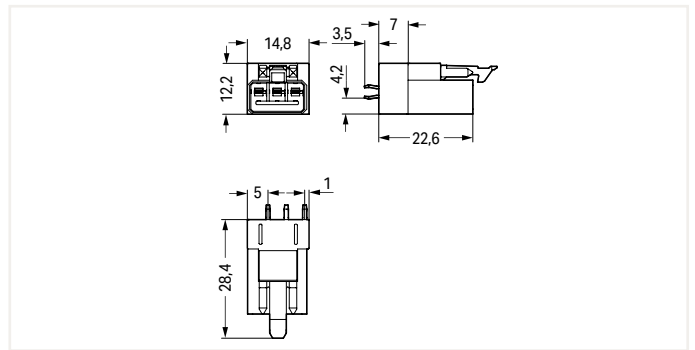
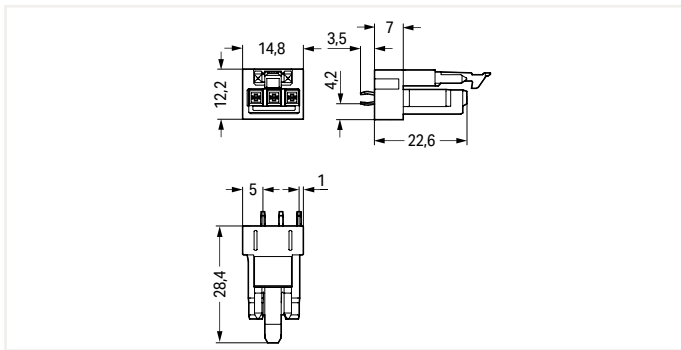
Straight ▶ Male connector/plug



1

Color	Coding	Marking	Item Number	PU
● black	A	L ⊕ N	890-803	100
○	A	L ⊕ N	890-823	100

Color	Coding	Marking	Item Number	PU
● black	A	L ⊕ N	890-813	100
○ white	A	L ⊕ N	890-833	100



Pluggable PCB Connector ▶ WINSTA® MINI ▶ Serie 890

No. of poles: 3 ▶ Standard network application

Angled ▶ Female connector/socket

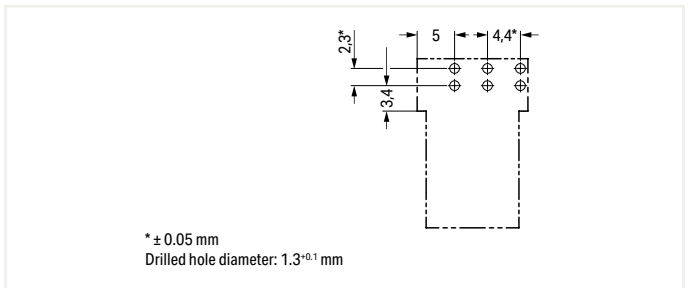
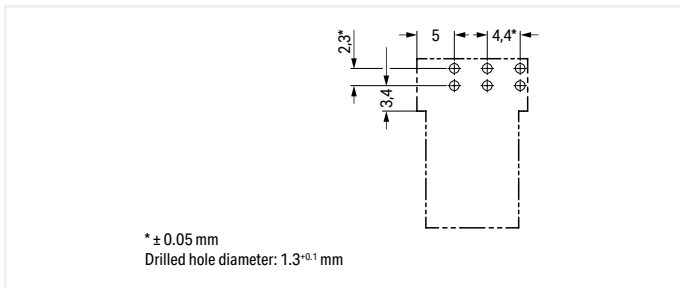
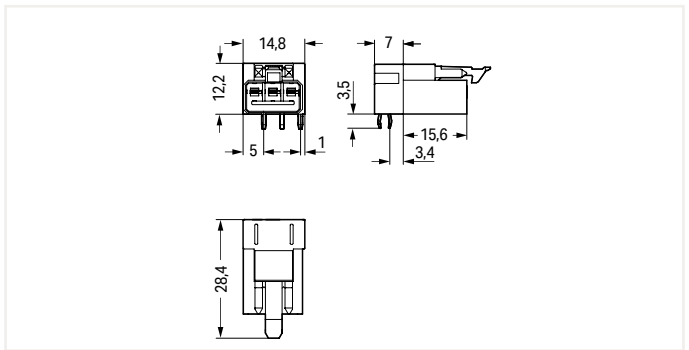
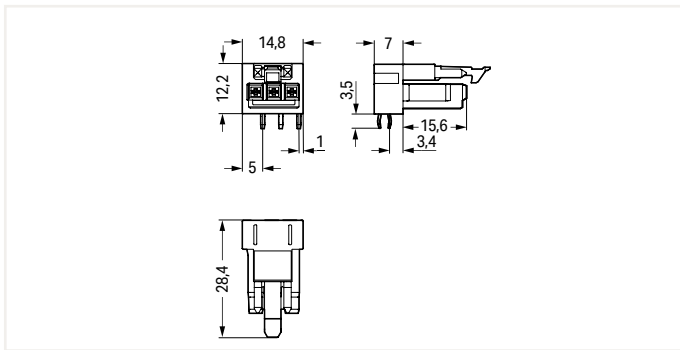
Angled ▶ Male connector/plug

1



Color	Coding	Marking	Item Number	PU
● black	A	L ⊕ N	890-803/011-000	100
○ white	A	L ⊕ N	890-823/011-000	100

Color	Coding	Marking	Item Number	PU
● black	A	L ⊕ N	890-813/011-000	100
○ white	A	L ⊕ N	890-833/011-000	100



Distribution Connector ▶ WINSTA® MINI ▶ Serie 890

No. of poles: 3 ▶ Standard network application ▶ Protection class: IP20; IP40 when mated

1



- Protected against mismatching and maintenance-free
- Compact design with 4.4 mm pole spacing

Electrical Data

Coding	A		
Ratings per	IEC/EN 60664-1		
Overvoltage category	III	III	II
Pollution degree	3	2	2
Rated voltage	250 V	-	-
Rated impulse voltage	4 kV	-	-
Rated current	16 A	-	-

Material Data

Insulating material	Polyamide 66 (PA 66)
Contact material	Copper or copper alloy; surface-treated

Mechanical Data

Number of mating cycles	200, without resistive load 100, with resistive load $I_N = 16$ A, tested (1.5mm ² /AWG 16)
Mating force of a plug-in connection	approx. 20 ... 70 N (depending on pole number)
Unmating force of a plug-in connection	when unlocked: approx. 20 ... 70 N (depending on pole number)
Retention force of a plug-in connection	When locked: > 80 N
Protection class	IP20
Note on protection class	IP40 when mated

Environmental Requirements

Processing temperature	-5 ... +40 °C
Continuous operating temperature	-35 ... +85 °C
Note on continuous service temperature	Insulating parts for temperatures ≤ 105 °C

All connectors for mounted installations (snap-in versions for lighting fixtures or devices, all types of PCB and distribution connectors) are factory-equipped with locking levers to ensure plugs and sockets are securely locked. Additional locking levers are only required for flying leads (plug/socket).

At least one snap-in connector **without** a locking lever is required on one side when connecting two lights directly via intermediate coupler.

Application note for the U.S. market (USR): Some versions may also be used for current interruption in accordance with the UL certificate in select applications with currents below 5 A and voltages up to 600 V. For further information, please contact your local sales office.

All WINSTA® components are 100% protected against mismatching in terms of:

- plugging different number of poles
- plugging when turned by 180°
- plugging when laterally staggered
- plugging one pole

Additional information, see "Technical Section"

Approvals and corresponding ratings, visit www.wago.com

Distribution Connector ▶ WINSTA® MINI ▶ Serie 890

No. of poles: 3 ▶ Standard network application ▶ Protection class: IP20; IP40 when mated

Intermediate coupler

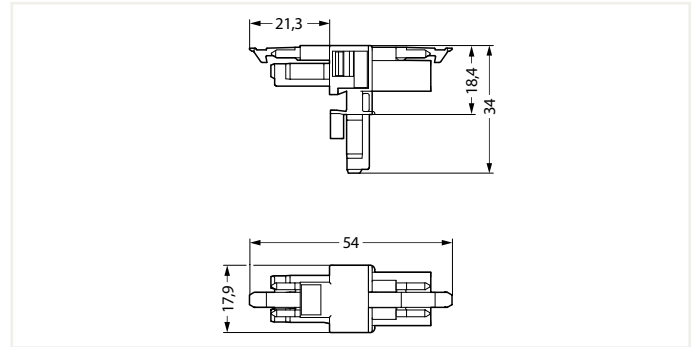
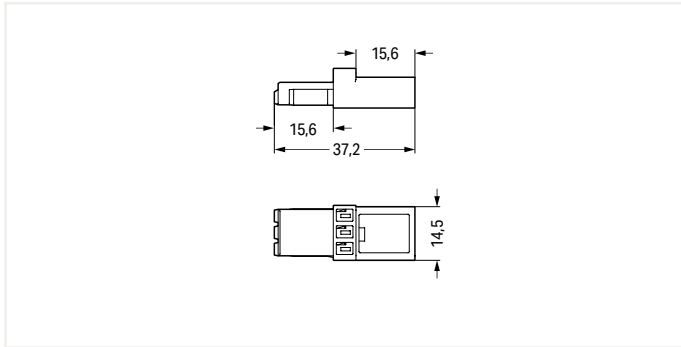
T-distribution connector ▶ Number of locking levers: 2



1

Color	Coding	Marking	Item Number	PU
● black	A		890-603	50
○ white	A		890-653	50

Color	Coding	Marking	Item Number	PU
● black	A	L ⊕ N	890-606	25
○ white	A	L ⊕ N	890-656	25



PU = Packaging Unit; SPU = Subpackaging Unit; Dimensions in mm

Distribution Connector ▶ WINSTA® MINI ▶ Serie 890

No. of poles: 3 ▶ Standard network application ▶ Protection class: IP20; IP40 when mated

T-distribution connector ▶ Number of locking levers: 3 ▶ for flying leads

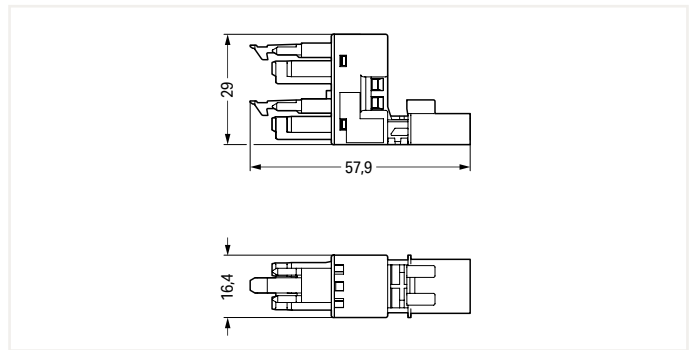
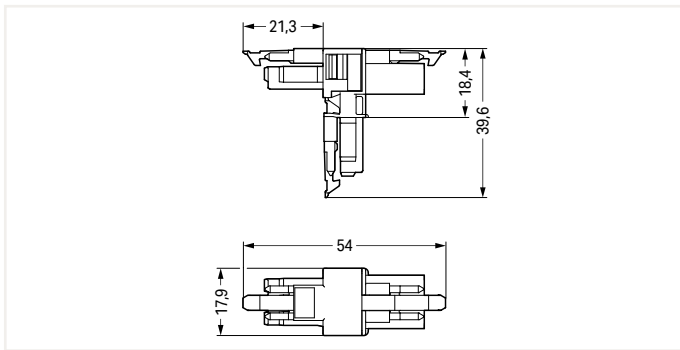
h-distribution connector, unidirectional ▶ Number of locking levers: 2

1



Color	Coding	Marking	Item Number	PU
○ white	A	L ⊕ N	890-665	25
● black	A	L ⊕ N	890-615	25

Color	Coding	Marking	Item Number	PU
● black	A	L ⊕ N	890-634	50
○ white	A	L ⊕ N	890-684	50



Item-Specific Accessories



Mounting plate; for distribution connector (except T-distribution connector); 3-pole

Color	Item Number	PU
● black	890-623	50
○ white	890-673	50

Distribution Connector ▶ WINSTA® MINI ▶ Serie 890

No. of poles: 3 ▶ Standard network application ▶ Protection class: IP20; IP40 when mated

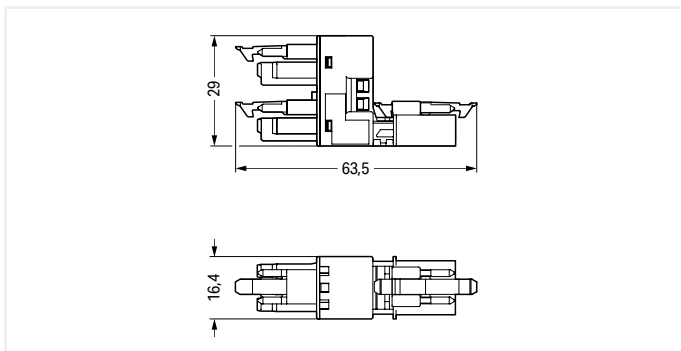
h-distribution connector, unidirectional ▶ Number of locking levers: 3 ▶ for flying leads



Fig. similar

1

Color	Coding	Marking	Item Number	PU
● black	A	L ⊕ N	890-636	50
○ white	A	L ⊕ N	890-686	50



Accessories; for all products on this page



Mounting plate; for distribution connector (except T-distribution connector); 3-pole

Color	Item Number	PU
● black	890-623	50
○ white	890-673	50

PU = Packaging Unit; SPU = Subpackaging Unit; Dimensions in mm

Cable Assembly ▶ WINSTA® MINI ▶ Serie 891No. of poles: 3 ▶ Coding: A ▶ Marking: L \oplus N ▶ Reaction to fire class per EN 50575: E_{ca}

1



- Protected against mismatching and maintenance-free
- Compact design with 4.4 mm pole spacing

Electrical Data						
Coding	A			A		
Cross section of single conductor	1 mm ²			1.5 mm ²		
Ratings per	IEC/EN 60664-1			IEC/EN 60664-1		
Overvoltage category	III	III	II	III	III	II
Pollution degree	3	2	2	3	2	2
Rated voltage	250 V	-	-	250 V	-	-
Rated impulse voltage	4 kV	-	-	4 kV	-	-
Rated current	10 A	-	-	16 A	-	-

Material Data	
Insulating material	Polyamide 66 (PA 66)
Contact material	Copper or copper alloy; surface-treated
Reaction to fire class per EN 50575	E _{ca}

Mechanical Data	
Number of mating cycles	200, without resistive load 100, with resistive load I _N = 16 A, tested (1.5 mm ² /AWG 16)
Mating force of a plug-in connection	approx. 20 ... 70 N (depending on pole number)
Unmating force of a plug-in connection	when unlocked: approx. 20 ... 70 N (depending on pole number)
Retention force of a plug-in connection	when locked: > 80N
Note on protection class	IP40 when mated

Environmental Requirements	
Processing temperature	-5 ... +40 °C
Continuous operating temperature	-35 ... +85 °C
Note on continuous service temperature	PVC cable for temperatures ≤ 70 °C (including halogen-free) Insulating parts for temperatures ≤ 105 °C

Cables with different fire load are available in the eShop

Application note for the U.S. market (USR): Some versions may also be used for current interruption in accordance with the UL certificate in select applications with currents below 5 A and voltages up to 600 V. For further information, please contact your local sales office.

All WINSTA® components are 100% protected against mismatching in terms of:

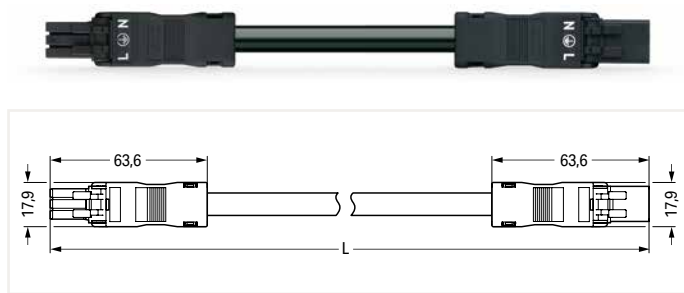
- plugging different number of poles
- plugging when turned by 180°
- plugging when laterally staggered
- plugging one pole

Additional information, see "Technical Section"

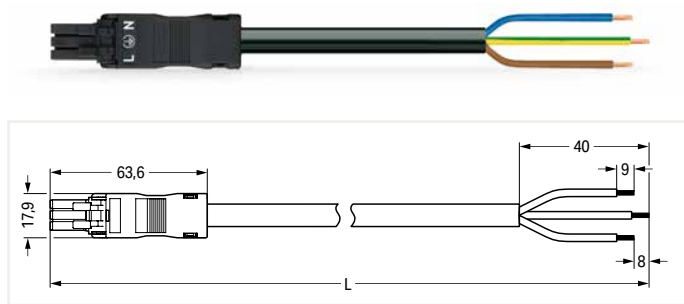
Approvals and corresponding ratings, visit www.wago.com

Cable Assembly ▶ WINSTA® MINI ▶ Serie 891

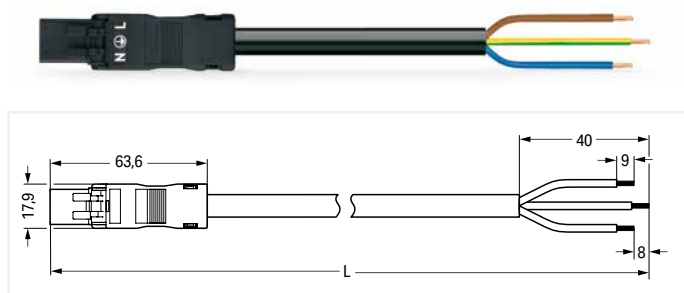
No. of poles: 3 ▶ Coding: A ▶ Marking: L ⊕ N ▶ Reaction to fire class per EN 50575: E_{ca} ▶ 1 mm² ▶ PVC ▶ Cable diameter: 6.3 ... 8 mm ▶ H05VV-F 3G1



Total length	Connector color / Strain relief color		PU
	black / black	white / white	
1 m	891-8993/005-101	891-8993/005-102	1
2 m	891-8993/005-201	891-8993/005-202	1
3 m	891-8993/005-301	891-8993/005-302	1
4 m	891-8993/005-401	891-8993/005-402	1
5 m	891-8993/005-501	891-8993/005-502	1
6 m	891-8993/005-601	891-8993/005-602	1
7 m	891-8993/005-701	891-8993/005-702	1
8 m	891-8993/005-801	891-8993/005-802	1



Total length	Connector color / Strain relief color		PU
	black / black	white / white	
1 m	891-8993/105-101	891-8993/105-102	1
2 m	891-8993/105-201	891-8993/105-202	1
3 m	891-8993/105-301	891-8993/105-302	1
4 m	891-8993/105-401	891-8993/105-402	1
5 m	891-8993/105-501	891-8993/105-502	1
6 m	891-8993/105-601	891-8993/105-602	1
7 m	891-8993/105-701	891-8993/105-702	1
8 m	891-8993/105-801	891-8993/105-802	1



Total length	Connector color / Strain relief color		PU
	black / black	white / white	
1 m	891-8993/205-101	891-8993/205-102	1
2 m	891-8993/205-201	891-8993/205-202	1
3 m	891-8993/205-301	891-8993/205-302	1
4 m	891-8993/205-401	891-8993/205-402	1
5 m	891-8993/205-501	891-8993/205-502	1
6 m	891-8993/205-601	891-8993/205-602	1
7 m	891-8993/205-701	891-8993/205-702	1
8 m	891-8993/205-801	891-8993/205-802	1

1

Accessories; for all products on this page



Locking lever; for flying leads; manually operated		
Color	Item Number	PU (SPU)
● black	890-101	100 (50)
○ white	890-121	100 (50)



Locking lever; for flying leads; tool operated		
Color	Item Number	PU (SPU)
● black	890-111	100 (50)
○ white	890-131	100 (50)



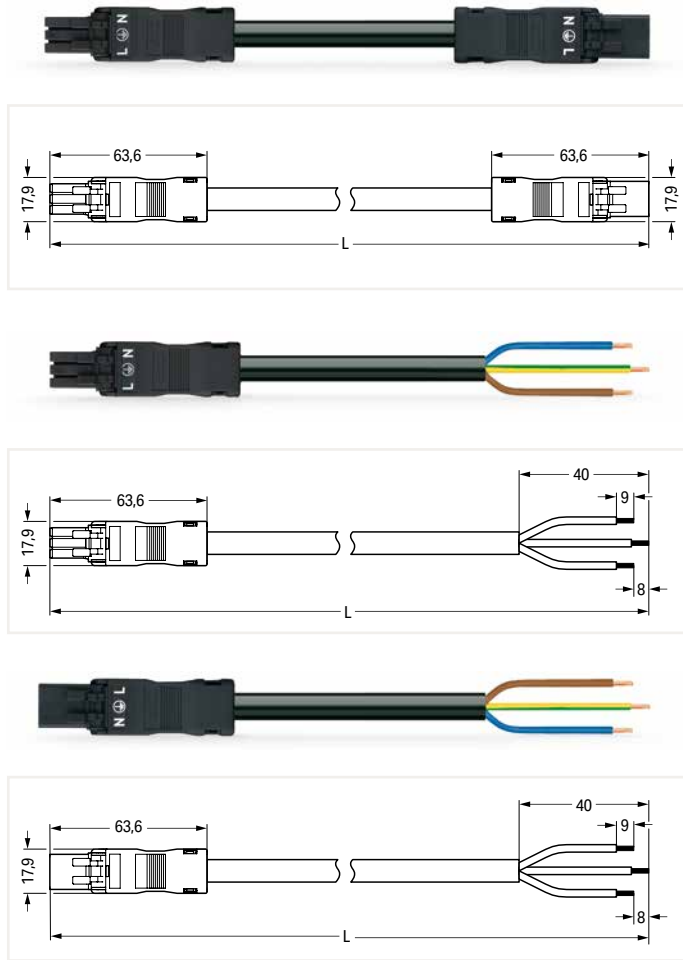
Mounting adapter; for 2- to 5-pole for flying leads		
Color	Item Number	PU
● black	890-310	100
○ white	890-311	100

PU = Packaging Unit; SPU = Subpackaging Unit; Dimensions in mm

Cable Assembly ▶ WINSTA® MINI ▶ Serie 891

No. of poles: 3 ▶ Coding: A ▶ Marking: L ⊕ N ▶ Reaction to fire class per EN 50575: E_{ca} ▶ 1 mm² ▶ Halogen-free ▶ Cable diameter: 6.3 ... 8 mm ▶ H05Z1Z1-F 3G1

1



Interconnecting cable ▶ Protection class: IP20; IP40 when mated ▶ Socket - Plug			
Total length	Connector color / Strain relief color		PU
	black / black	white / white	
1 m	891-8993/015-101	891-8993/015-102	1
2 m	891-8993/015-201	891-8993/015-202	1
3 m	891-8993/015-301	891-8993/015-302	1
4 m	891-8993/015-401	891-8993/015-402	1
5 m	891-8993/015-501	891-8993/015-502	1
6 m	891-8993/015-601	891-8993/015-602	1
7 m	891-8993/015-701	891-8993/015-702	1
8 m	891-8993/015-801	891-8993/015-802	1

Connecting cable ▶ Protection class: IP40 ▶ Socket - Free end			
Total length	Connector color / Strain relief color		PU
	black / black	white / white	
1 m	891-8993/115-101	891-8993/115-102	1
2 m	891-8993/115-201	891-8993/115-202	1
3 m	891-8993/115-301	891-8993/115-302	1
4 m	891-8993/115-401	891-8993/115-402	1
5 m	891-8993/115-501	891-8993/115-502	1
6 m	891-8993/115-601	891-8993/115-602	1
7 m	891-8993/115-701	891-8993/115-702	1
8 m	891-8993/115-801	891-8993/115-802	1

Connecting cable ▶ Protection class: IP20; IP40 when mated ▶ Plug - Free end			
Total length	Connector color / Strain relief color		PU
	black / black	white / white	
1 m	891-8993/215-101	891-8993/215-102	1
2 m	891-8993/215-201	891-8993/215-202	1
3 m	891-8993/215-301	891-8993/215-302	1
4 m	891-8993/215-401	891-8993/215-402	1
5 m	891-8993/215-501	891-8993/215-502	1
6 m	891-8993/215-601	891-8993/215-602	1
7 m	891-8993/215-701	891-8993/215-702	1
8 m	891-8993/215-801	891-8993/215-802	1

Accessories; for all products on this page



Locking lever; for flying leads; manually operated		
Color	Item Number	PU (SPU)
● black	890-101	100 (50)
○ white	890-121	100 (50)

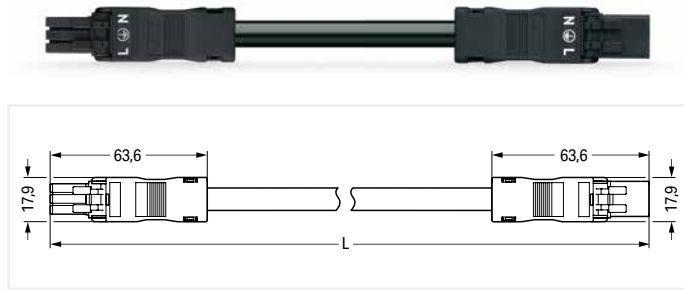
Locking lever; for flying leads; tool operated		
Color	Item Number	PU (SPU)
● black	890-111	100 (50)
○ white	890-131	100 (50)

Mounting adapter; for 2- to 5-pole for flying leads		
Color	Item Number	PU
● black	890-310	100
○ white	890-311	100

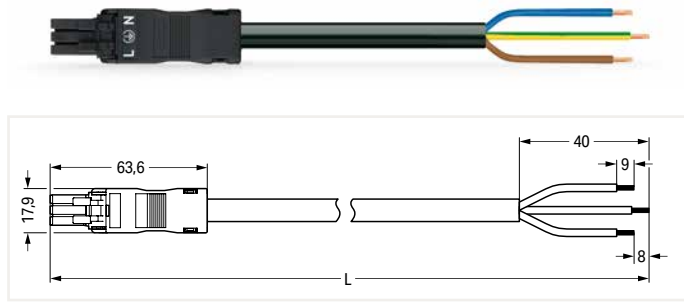
PU = Packaging Unit; SPU = Subpackaging Unit; Dimensions in mm

Cable Assembly ▶ WINSTA® MINI ▶ Serie 891

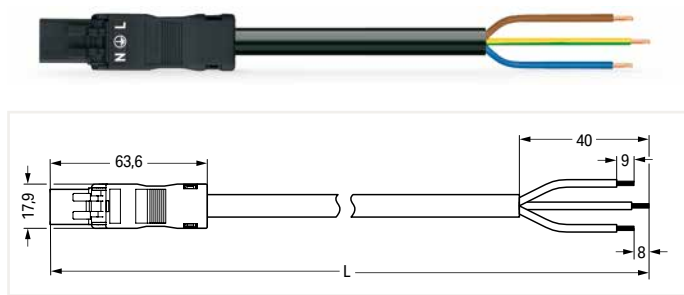
No. of poles: 3 ▶ Coding: A ▶ Marking: L ⊕ N ▶ Reaction to fire class per EN 50575: E_{ca} ▶ 1.5 mm² ▶ PVC ▶ Cable diameter: 7.4 ... 9.4 mm ▶ H05VV-F 3G1.5



Interconnecting cable ▶ Protection class: IP20; IP40 when mated ▶ Socket - Plug			
Total length	Connector color / Strain relief color		PU
	black / black	white / white	
1 m	891-8993/006-101	891-8993/006-102	1
2 m	891-8993/006-201	891-8993/006-202	1
3 m	891-8993/006-301	891-8993/006-302	1
4 m	891-8993/006-401	891-8993/006-402	1
5 m	891-8993/006-501	891-8993/006-502	1
6 m	891-8993/006-601	891-8993/006-602	1
7 m	891-8993/006-701	891-8993/006-702	1
8 m	891-8993/006-801	891-8993/006-802	1



Connecting cable ▶ Protection class: IP40 ▶ Socket - Free end			
Total length	Connector color / Strain relief color		PU
	black / black	white / white	
1 m	891-8993/106-101	891-8993/106-102	1
2 m	891-8993/106-201	891-8993/106-202	1
3 m	891-8993/106-301	891-8993/106-302	1
4 m	891-8993/106-401	891-8993/106-402	1
5 m	891-8993/106-501	891-8993/106-502	1
6 m	891-8993/106-601	891-8993/106-602	1
7 m	891-8993/106-701	891-8993/106-702	1
8 m	891-8993/106-801	891-8993/106-802	1



Connecting cable ▶ Protection class: IP20; IP40 when mated ▶ Plug - Free end			
Total length	Connector color / Strain relief color		PU
	black / black	white / white	
1 m	891-8993/206-101	891-8993/206-102	1
2 m	891-8993/206-201	891-8993/206-202	1
3 m	891-8993/206-301	891-8993/206-302	1
4 m	891-8993/206-401	891-8993/206-402	1
5 m	891-8993/206-501	891-8993/206-502	1
6 m	891-8993/206-601	891-8993/206-602	1
7 m	891-8993/206-701	891-8993/206-702	1
8 m	891-8993/206-801	891-8993/206-802	1

Accessories; for all products on this page



Locking lever; for flying leads; manually operated		
Color	Item Number	PU (SPU)
● black	890-101	100 (50)
○ white	890-121	100 (50)



Locking lever; for flying leads; tool operated		
Color	Item Number	PU (SPU)
● black	890-111	100 (50)
○ white	890-131	100 (50)



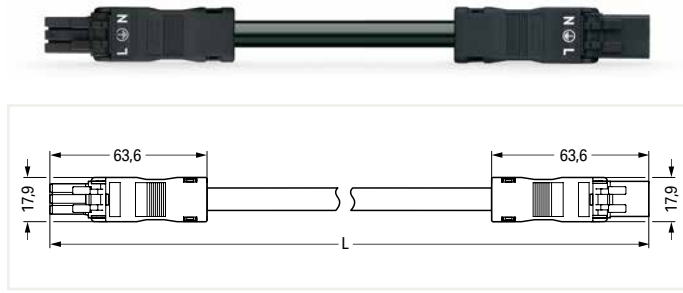
Mounting adapter; for 2- to 5-pole for flying leads		
Color	Item Number	PU
● black	890-310	100
○ white	890-311	100

PU = Packaging Unit; SPU = Subpackaging Unit; Dimensions in mm

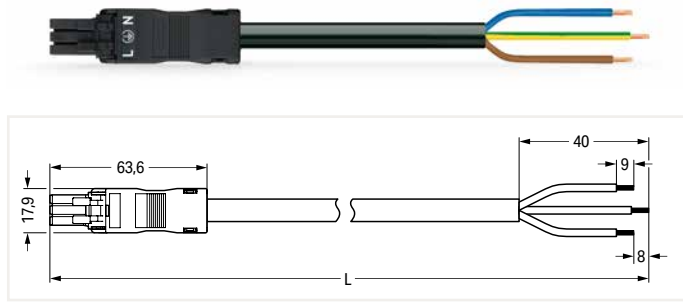
Cable Assembly ▶ WINSTA® MINI ▶ Serie 891

No. of poles: 3 ▶ Coding: A ▶ Marking: L ⊕ N ▶ Reaction to fire class per EN 50575: E_{ca} ▶ 1.5 mm² ▶ Halogen-free ▶ Cable diameter: 7.4 ... 9.4 mm ▶ H05Z1Z1-F 3G1.5

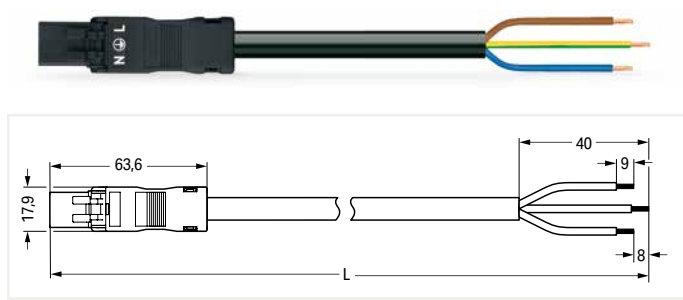
1



Interconnecting cable ▶ Protection class: IP20; IP40 when mated ▶ Socket - Plug			
Total length	Connector color / Strain relief color		PU
	black / black	white / white	
1 m	891-8993/016-101	891-8993/016-102	1
2 m	891-8993/016-201	891-8993/016-202	1
3 m	891-8993/016-301	891-8993/016-302	1
4 m	891-8993/016-401	891-8993/016-402	1
5 m	891-8993/016-501	891-8993/016-502	1
6 m	891-8993/016-601	891-8993/016-602	1
7 m	891-8993/016-701	891-8993/016-702	1
8 m	891-8993/016-801	891-8993/016-802	1



Connecting cable ▶ Protection class: IP40 ▶ Socket - Free end			
Total length	Connector color / Strain relief color		PU
	black / black	white / white	
1 m	891-8993/116-101	891-8993/116-102	1
2 m	891-8993/116-201	891-8993/116-202	1
3 m	891-8993/116-301	891-8993/116-302	1
4 m	891-8993/116-401	891-8993/116-402	1
5 m	891-8993/116-501	891-8993/116-502	1
6 m	891-8993/116-601	891-8993/116-602	1
7 m	891-8993/116-701	891-8993/116-702	1
8 m	891-8993/116-801	891-8993/116-802	1



Connecting cable ▶ Protection class: IP20; IP40 when mated ▶ Plug - Free end			
Total length	Connector color / Strain relief color		PU
	black / black	white / white	
1 m	891-8993/216-101	891-8993/216-102	1
2 m	891-8993/216-201	891-8993/216-202	1
3 m	891-8993/216-301	891-8993/216-302	1
4 m	891-8993/216-401	891-8993/216-402	1
5 m	891-8993/216-501	891-8993/216-502	1
6 m	891-8993/216-601	891-8993/216-602	1
7 m	891-8993/216-701	891-8993/216-702	1
8 m	891-8993/216-801	891-8993/216-802	1

Accessories; for all products on this page



Locking lever; for flying leads; manually operated			Locking lever; for flying leads; tool operated			Mounting adapter; for 2- to 5-pole for flying leads		
Color	Item Number	PU (SPU)	Color	Item Number	PU (SPU)	Color	Item Number	PU
● black	890-101	100 (50)	● black	890-111	100 (50)	● black	890-310	100
○ white	890-121	100 (50)	○ white	890-131	100 (50)	○ white	890-311	100

PU = Packaging Unit; SPU = Subpackaging Unit; Dimensions in mm

Pluggable Connector ▶ WINSTA® MINI ▶ Serie 890

No. of poles: 4 ▶ Standard network application

1



- Protected against mismatching and maintenance-free
- Push-in CAGE CLAMP® spring pressure connection technology allows solid conductors to be simply pushed into a unit
- Compact design with 4.4 mm pole spacing
- When assembled, the installation connectors complies with IP40 and are suitable for easily accessible areas

Electrical Data			
Coding	A		
Ratings per	IEC/EN 60664-1		
Overvoltage category	III	III	II
Pollution degree	3	2	2
Rated voltage	400 V	-	-
Rated impulse voltage	6 kV	-	-
Rated current	16 A	-	-

Connection Data	
Connection technology	Push-in CAGE CLAMP®
Strip length	9 mm / 0.35 inch
Nominal cross section	1.5 mm ²
Solid conductor	0.25 ... 1.5 mm ² / 22 ... 16 AWG
Solid conductor, push-in termination	0.75 ... 1.5 mm ² / 20 ... 16 AWG
Stranded conductor	0.25 ... 1 mm ² / 22 ... 18 AWG
Fine-stranded conductor	0.25 ... 1.5 mm ² / 22 ... 16 AWG
Fine-stranded conductor with ferrule with plastic collar	0.25 ... 0.75 mm ² / 22 ... 20 AWG
Fine-stranded conductor with ferrule without plastic collar	0.25 ... 0.75 mm ² / 22 ... 20 AWG
Fine-stranded conductor with ferrule, push-in termination, from	0.75 mm ² / 20 AWG

Material Data	
Insulating material	Polyamide 66 (PA 66)
Clamping spring material	Chrome nickel spring steel (CrNi)
Contact material	Copper or copper alloy; surface-treated

Mechanical Data	
Number of mating cycles	200, without resistive load 100, with resistive load $I_N = 16$ A, tested (1.5 mm ² /AWG 16)
Mating force of a plug-in connection	Approx. 20 ... 70 N (depending on pole number)
Unmating force of a plug-in connection	When unlocked: approx. 20 ... 70 N (depending on pole number)
Retention force of a plug-in connection	When locked: > 80 N

Environmental Requirements	
Processing temperature	-5 ... +40 °C
Continuous operating temperature	-35 ... +85 °C
Note on continuous service temperature	Insulating parts for temperatures ≤ 105 °C

All connectors for mounted installations (snap-in versions for lighting fixtures or devices, all types of PCB and distribution connectors) are factory-equipped with locking levers to ensure plugs and sockets are securely locked. Additional locking levers are only required for flying leads (plug/socket).

Application note for the U.S. market (USR): Some versions may also be used for current interruption in accordance with the UL certificate in select applications with currents below 5 A and voltages up to 600 V. For further information, please contact your local sales office.

All WINSTA® components are 100% protected against mismatching in terms of:

- plugging different number of poles
- plugging when turned by 180°
- plugging when laterally staggered
- plugging one pole

Shield connection Page 469

Tools Page 492

Additional information, see "Technical Section"

Approvals and corresponding ratings, visit www.wago.com

Pluggable Connector ▶ WINSTA® MINI ▶ Serie 890

No. of poles: 4 ▶ Standard network application

strain relief housing ▶ Female connector/socket ▶ Strip length: 45 mm ▶ Protection class: IP40

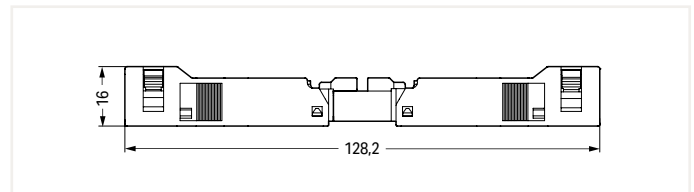
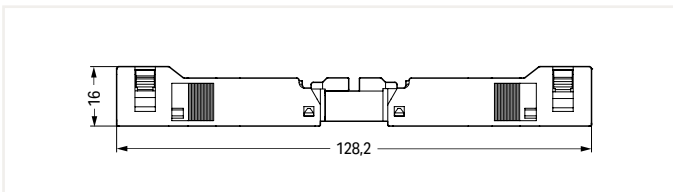
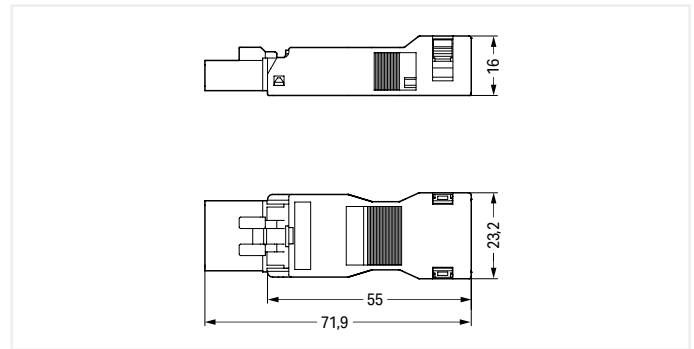
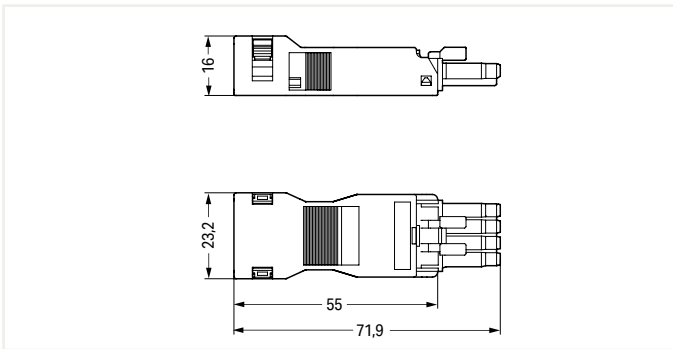
strain relief housing ▶ Male connector/plug ▶ Strip length: 45 mm ▶ Protection class: IP40



1

Color	Coding	Marking	Item Number	PU
● black	A	N ⊕ 2/L 1/L'	890-104	50
○ white	A	N ⊕ 2/L 1/L'	890-124	50

Color	Coding	Marking	Item Number	PU
● black	A	N ⊕ 2/L 1/L'	890-114	50
○ white	A	N ⊕ 2/L 1/L'	890-134	50



Overall length when mated

Overall length when mated

Accessories; for all products on this page



Locking lever; for flying leads; manually operated		
Color	Item Number	PU (SPU)
● black	890-101	100 (50)
○ white	890-121	100 (50)

Locking lever; for flying leads; tool operated		
Color	Item Number	PU (SPU)
● black	890-111	100 (50)
○ white	890-131	100 (50)

Mounting adapter; for 2- to 5-pole for flying leads		
Color	Item Number	PU
● black	890-310	100
○ white	890-311	100



Operating tool; for WAGO connectors WINSTA® MINI; No. of poles: 4		
Color	Item Number	PU
● green	890-384	1

PU = Packaging Unit; SPU = Subpackaging Unit; Dimensions in mm

Pluggable Connector ▶ WINSTA® MINI ▶ Serie 890

No. of poles: 4 ▶ Standard network application

Female connector/socket ▶ Protection class: IP20; IP40 with strain relief housing

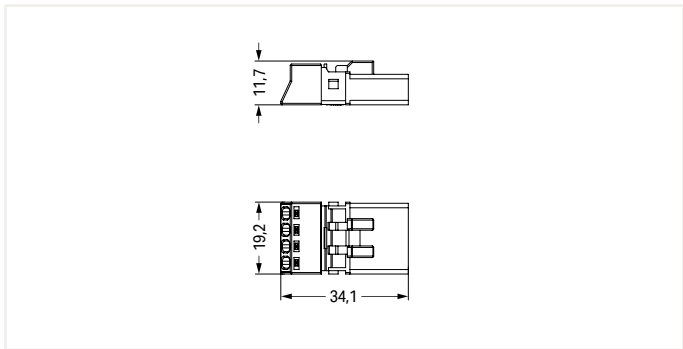
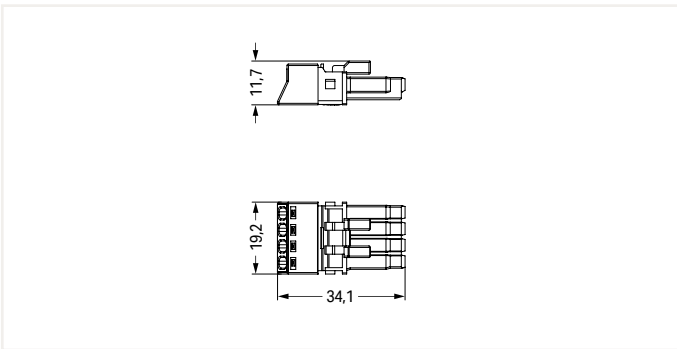
Male connector/plug ▶ Protection class: IP20; IP40 when mated with strain relief housing

1



Color	Coding	Marking	Item Number	PU
● black	A	N ⊕ 2/L 1/L'	890-204	50
○ white	A	N ⊕ 2/L 1/L'	890-224	50

Color	Coding	Marking	Item Number	PU
● black	A	N ⊕ 2/L 1/L'	890-214	50
○ white	A	N ⊕ 2/L 1/L'	890-234	50



Accessories; for all products on this page



Locking lever; for flying leads; manually operated

Color	Item Number	PU (SPU)
● black	890-101	100 (50)
○ white	890-121	100 (50)



Locking lever; for flying leads; tool operated

Color	Item Number	PU (SPU)
● black	890-111	100 (50)
○ white	890-131	100 (50)



Mounting adapter; for 2- to 5-pole for flying leads

Color	Item Number	PU
● black	890-310	100
○ white	890-311	100



Operating tool; for WAGO connectors WINSTA® MINI; No. of poles: 4

Color	Item Number	PU
● green	890-384	1



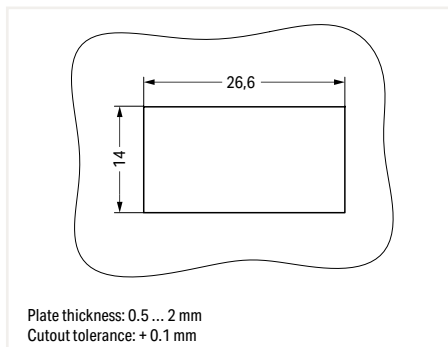
Strain relief housing; Connectable sheathed cable diameter: 6.5 ... 10.5 mm; Strip length: 45 mm

Color	Item Number	PU
● black	890-504	50
○ white	890-514	50

PU = Packaging Unit; SPU = Subpackaging Unit; Dimensions in mm

Snap-In Device Connector ▶ WINSTA® MINI ▶ Serie 890**No. of poles: 4 ▶ Standard network application**

1



- Protected against mismatching and maintenance-free
- Push-in CAGE CLAMP® spring pressure connection technology allows solid conductors to be simply pushed into a unit
- Compact design with 4.4 mm pole spacing
- When assembled, the installation connectors complies with IP40 and are suitable for easily accessible areas

Electrical Data

Coding	A		
Ratings per	IEC/EN 60664-1		
Overvoltage category	III	III	II
Pollution degree	3	2	2
Rated voltage	400 V	-	-
Rated impulse voltage	6 kV	-	-
Rated current	16 A	-	-

Connection Data

Connection technology	Push-in CAGE CLAMP®
Strip length	9 mm / 0.35 inch
Nominal cross section	1.5 mm ²
Solid conductor	0.25 ... 1.5 mm ² / 22 ... 16 AWG
Solid conductor, push-in termination	0.75 ... 1.5 mm ² / 20 ... 16 AWG
Stranded conductor	0.25 ... 1 mm ² / 22 ... 18 AWG
Fine-stranded conductor	0.25 ... 1.5 mm ² / 22 ... 16 AWG
Fine-stranded conductor with ferrule with plastic collar	0.25 ... 0.75 mm ² / 22 ... 20 AWG
Fine-stranded conductor with ferrule without plastic collar	0.25 ... 0.75 mm ² / 22 ... 20 AWG
Fine-stranded conductor with ferrule, push-in termination, from	0.75 mm ² / 20 AWG

Material Data

Insulating material	Polyamide 66 (PA 66)
Clamping spring material	Chrome nickel spring steel (CrNi)
Contact material	Copper or copper alloy; surface-treated

Mechanical Data

Number of mating cycles	200, without resistive load 100, with resistive load $I_N = 16$ A, tested (1.5mm ² /AWG 16)
Mating force of a plug-in connection	Approx. 20 ... 70 N (depending on pole number)
Unmating force of a plug-in connection	When unlocked: approx. 20 ... 70 N (depending on pole number)
Retention force of a plug-in connection	When locked: > 80 N

Environmental Requirements

Processing temperature	-5 ... +40 °C
Continuous operating temperature	-35 ... +85 °C
Note on continuous service temperature	Insulating parts for temperatures ≤ 105 °C

All connectors for mounted installations (snap-in versions for lighting fixtures or devices, all types of PCB and distribution connectors) are factory-equipped with locking levers to ensure plugs and sockets are securely locked. Additional locking levers are only required for flying leads (plug/socket).

Application note for the U.S. market (USR): Some versions may also be used for current interruption in accordance with the UL certificate in select applications with currents below 5 A and voltages up to 600 V. For further information, please contact your local sales office.

All WINSTA® components are 100% protected against mismatching in terms of:

- plugging different number of poles
- plugging when turned by 180°
- plugging when laterally staggered
- plugging one pole

Tools Page 492

Additional information, see "Technical Section"

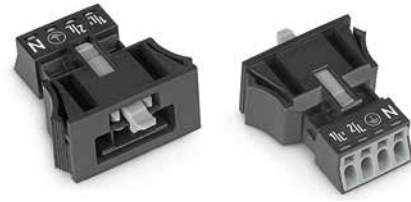
Approvals and corresponding ratings, visit www.wago.com

Snap-In Device Connector ▶ WINSTA® MINI ▶ Serie 890

No. of poles: 4 ▶ Standard network application

Female connector/socket ▶ Protection class: IP40

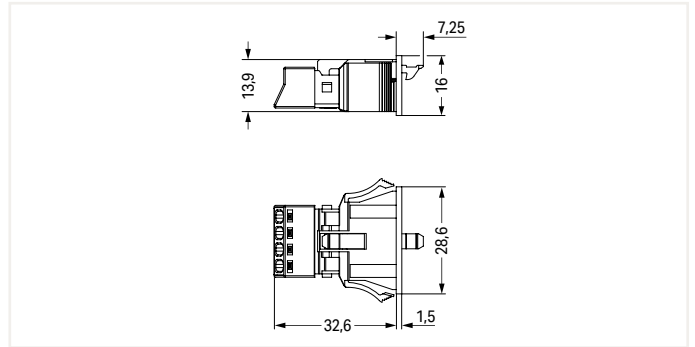
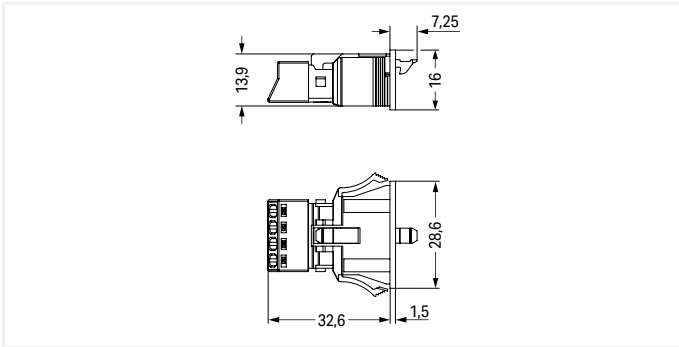
Male connector/plug ▶ Protection class: IP20; IP40 when mated



1

Color	Coding	Marking	Item Number	PU (SPU)
● black	A	N ⊕ 2/L 1/L'	890-704	50 (50)
○ white	A	N ⊕ 2/L 1/L'	890-724	50 (50)

Color	Coding	Marking	Item Number	PU (SPU)
● black	A	N ⊕ 2/L 1/L'	890-714	50 (50)
○ white	A	N ⊕ 2/L 1/L'	890-734	50 (50)



Accessories; for all products on this page



Operating tool; for WAGO connectors WINSTA® MINI;
No. of poles: 4

Color	Item Number	PU
● green	890-384	1

Lockout cap; for cutout; No. of poles: 4

Color	Item Number	PU
● black	890-644	100
○ white	890-694	100

PU = Packaging Unit; SPU = Subpackaging Unit; Dimensions in mm

Pluggable PCB Connector ▶ WINSTA® MINI ▶ Serie 890

No. of poles: 4 ▶ Standard network application

1



- Protected against mismatching and maintenance-free
- Push-in CAGE CLAMP® spring pressure connection technology allows solid conductors to be simply pushed into a unit
- Compact design with 4.4 mm pole spacing

Electrical Data			
Coding	A		
Ratings per	IEC/EN 60664-1		
Overvoltage category	III	III	II
Pollution degree	3	2	2
Rated voltage	250 V	-	-
Rated impulse voltage	4 kV	-	-
Rated current	16 A	-	-

Material Data	
Insulating material	Polyamide 66 (PA 66)
Clamping spring material	Chrome nickel spring steel (CrNi)
Contact material	Copper or copper alloy; surface-treated

Mechanical Data	
Solder pin arrangement	2 in-line solder pins/pole
Solder pin length	3.5 mm
Solder pin dimensions	1 x 0.8 mm
Drilled hole diameter (tolerance)	1.3 (+0.1 ... +0.1) mm
Number of mating cycles	200, without resistive load 100, with resistive load $I_N = 16$ A, tested (1.5 mm ² /16 AWG)
Mating force of a plug-in connection	Approx. 20 ... 70 N (depending on pole number)
Unmating force of a plug-in connection	When unlocked: approx. 20 ... 70 N (depending on pole number)
Retention force of a plug-in connection	When locked: > 80 N

Environmental Requirements	
Processing temperature	-5 ... +40 °C
Continuous operating temperature	-35 ... +85 °C
Note on continuous service temperature	Insulating parts for temperatures ≤ 105 °C

All connectors for mounted installations (snap-in versions for lighting fixtures or devices, all types of PCB and distribution connectors) are factory-equipped with locking levers to ensure plugs and sockets are securely locked. Additional locking levers are only required for flying leads (plug/socket).

Application note for the U.S. market (USR): Some versions may also be used for current interruption in accordance with the UL certificate in select applications with currents below 5 A and voltages up to 600 V. For further information, please contact your local sales office.

All WINSTA® components are 100% protected against mismatching in terms of:

- plugging different number of poles
- plugging when turned by 180°
- plugging when laterally staggered
- plugging one pole

Additional information, see "Technical Section"

Approvals and corresponding ratings, visit www.wago.com

Pluggable PCB Connector ▶ WINSTA® MINI ▶ Serie 890

No. of poles: 4 ▶ Standard network application

Straight ▶ Female connector/socket

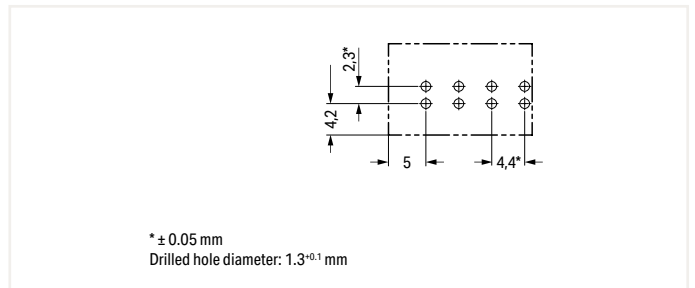
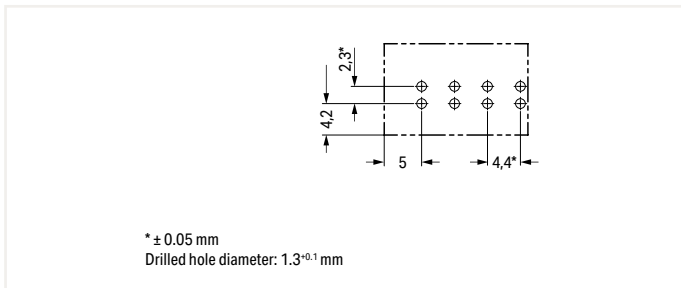
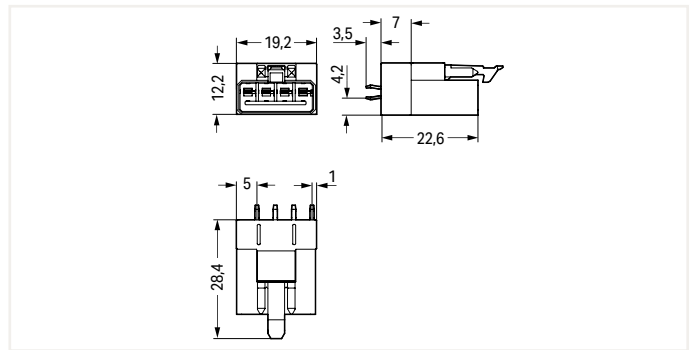
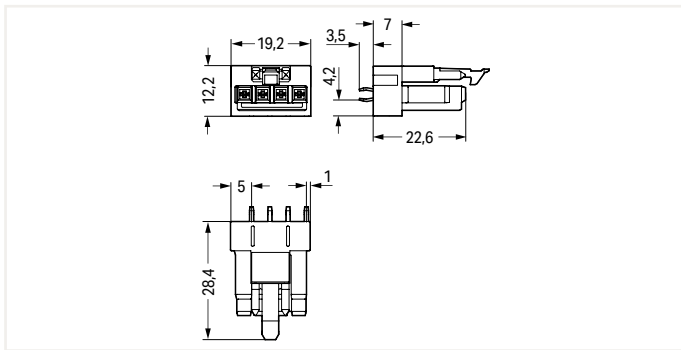
Straight ▶ Male connector/plug



1

Color	Coding	Marking	Item Number	PU
● black	A	N ⊕ 2/L 1/L'	890-804	50
○ white	A	N ⊕ 2/L 1/L'	890-824	50

Color	Coding	Marking	Item Number	PU
● black	A	N ⊕ 2/L 1/L'	890-814	50
○ white	A	N ⊕ 2/L 1/L'	890-834	50



Pluggable PCB Connector ▶ WINSTA® MINI ▶ Serie 890

No. of poles: 4 ▶ Standard network application

Angled ▶ Female connector/socket

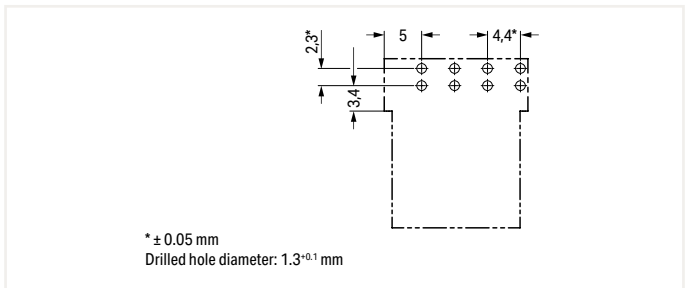
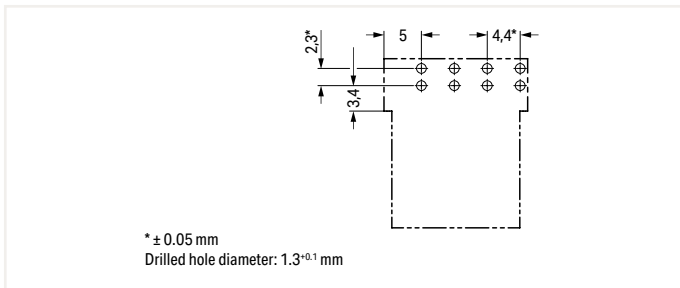
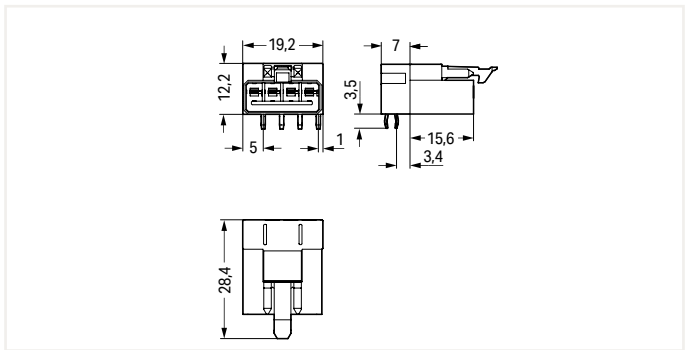
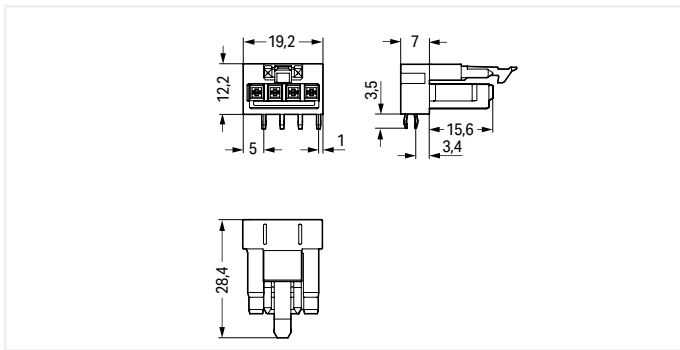
Angled ▶ Male connector/plug

1



Color	Coding	Marking	Item Number	PU
● black	A	N ⊕ 2/L 1/L'	890-804/011-000	50
○ white	A	N ⊕ 2/L 1/L'	890-824/011-000	50

Color	Coding	Marking	Item Number	PU
● black	A	N ⊕ 2/L 1/L'	890-814/011-000	50
○ white	A	N ⊕ 2/L 1/L'	890-834/011-000	50



Distribution Connector ▶ WINSTA® MINI ▶ Serie 890

No. of poles: 4 ▶ Standard network application ▶ Protection class: IP20; IP40 when mated

1



- Protected against mismatching and maintenance-free
- Compact design with 4.4 mm pole spacing
- When assembled, the installation connectors complies with IP40 and are suitable for easily accessible areas

Electrical Data			
Coding	A		
Ratings per	IEC/EN 60664-1		
Overvoltage category	III	III	II
Pollution degree	3	2	2
Rated voltage	400 V	-	-
Rated impulse voltage	6 kV	-	-
Rated current	16 A	-	-

Material Data	
Insulating material	Polyamide 66 (PA 66)
Contact material	Copper or copper alloy; surface-treated

Mechanical Data	
Number of mating cycles	200, without resistive load 100, with resistive load $I_N = 16$ A, tested (1.5mm ² /AWG 16)
Mating force of a plug-in connection	approx. 20 ... 70 N (depending on pole number)
Unmating force of a plug-in connection	when unlocked: approx. 20 ... 70 N (depending on pole number)
Retention force of a plug-in connection	When locked: > 80 N
Protection class	IP20
Note on protection class	IP40 when mated

Environmental Requirements	
Processing temperature	-5 ... +40 °C
Continuous operating temperature	-35 ... +85 °C
Note on continuous service temperature	Insulating parts for temperatures ≤ 105 °C

All connectors for mounted installations (snap-in versions for lighting fixtures or devices, all types of PCB and distribution connectors) are factory-equipped with locking levers to ensure plugs and sockets are securely locked. Additional locking levers are only required for flying leads (plug/socket).

At least one snap-in connector **without** a locking lever is required on one side when connecting two lights directly via intermediate coupler.

Application note for the U.S. market (USR): Some versions may also be used for current interruption in accordance with the UL certificate in select applications with currents below 5 A and voltages up to 600 V. For further information, please contact your local sales office.

All WINSTA® components are 100% protected against mismatching in terms of:

- plugging different number of poles
- plugging when turned by 180°
- plugging when laterally staggered
- plugging one pole

Additional information, see "Technical Section"

Approvals and corresponding ratings, visit www.wago.com

Distribution Connector ▶ WINSTA® MINI ▶ Serie 890

No. of poles: 4 ▶ Standard network application ▶ Protection class: IP20; IP40 when mated

Intermediate coupler

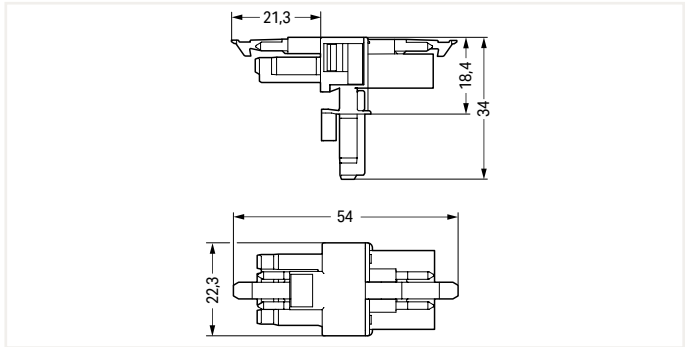
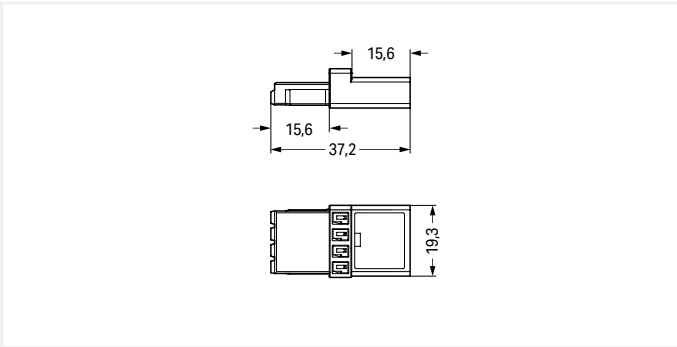
T-distribution connector ▶ Number of locking levers: 2



1

Color	Coding	Marking	Item Number	PU
● black	A		890-604	50
○ white	A		890-654	50

Color	Coding	Marking	Item Number	PU
● black	A	N ⊕ 2/L 1/L'	890-626	25
○ white	A	N ⊕ 2/L 1/L'	890-676	25



PU = Packaging Unit; SPU = Subpackaging Unit; Dimensions in mm

Distribution Connector ▶ WINSTA® MINI ▶ Serie 890

No. of poles: 4 ▶ Standard network application ▶ Protection class: IP20; IP40 when mated

T-distribution connector ▶ Number of locking levers: 3 ▶ for flying leads

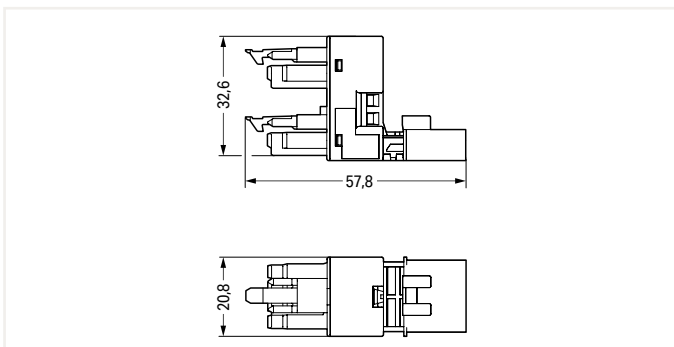
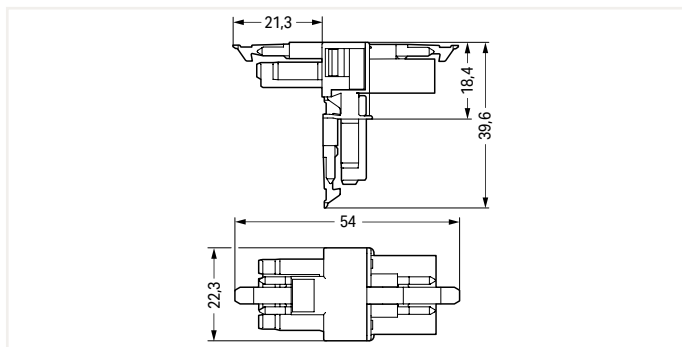
h-distribution connector, unidirectional ▶ Number of locking levers: 2

1



Color	Coding	Marking	Item Number	PU
● black	A	N ⊕ 2/L 1/L'	890-627	25
○ white	A	N ⊕ 2/L 1/L'	890-677	25

Color	Coding	Marking	Item Number	PU
● black	A	N ⊕ 2/L 1/L'	890-944	50
○ white	A	N ⊕ 2/L 1/L'	890-994	50



Item-Specific Accessories



Mounting plate; for distribution connector (except T-distribution connector); 4-pole

Color	Item Number	PU (SPU)
● black	890-624	50 (50)
○ white	890-674	50 (50)

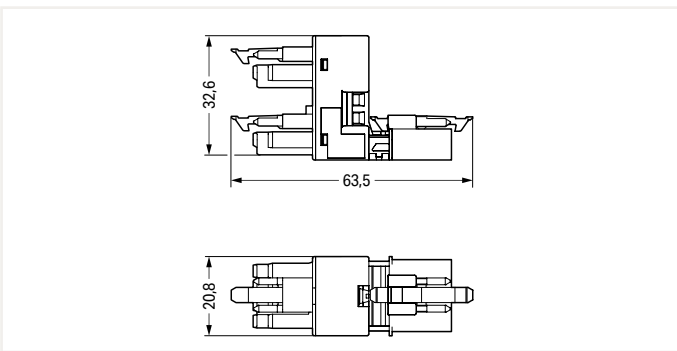
Distribution Connector ▶ WINSTA® MINI ▶ Serie 890

No. of poles: 4 ▶ Standard network application ▶ Protection class: IP20; IP40 when mated

h-distribution connector, unidirectional ▶ Number of locking levers: 3 ▶ for flying leads



Color	Coding	Marking	Item Number	PU
● black	A	N ⊕ 2/L 1/L'	890-945	50
○ white	A	N ⊕ 2/L 1/L'	890-995	50

**Accessories; for all products on this page**

Mounting plate; for distribution connector (except T-distribution connector); 4-pole

Color	Item Number	PU (SPU)
● black	890-624	50 (50)
○ white	890-674	50 (50)

PU = Packaging Unit; SPU = Subpackaging Unit; Dimensions in mm

Cable Assembly ▶ WINSTA® MINI ▶ Serie 891No. of poles: 4 ▶ 1.5 mm² ▶ Coding: A ▶ Marking: N ⊕ 2/L 1/L' ▶ Cable diameter: 8.4 ... 10.5 mm ▶Reaction to fire class per EN 50575: E_{ca}

1



- Protected against mismatching and maintenance-free
- Compact design with 4.4 mm pole spacing
- When assembled, the installation connectors complies with IP40 and are suitable for easily accessible areas

Electrical Data

Coding	A		
Ratings per	IEC/EN 60664-1		
Overvoltage category	III	III	II
Pollution degree	3	2	2
Rated voltage	400 V	-	-
Rated impulse voltage	6 kV	-	-
Rated current	16 A	-	-

Material Data

Insulating material	Polyamide 66 (PA 66)
Contact material	Copper or copper alloy; surface-treated
Reaction to fire class per EN 50575	E _{ca}

Mechanical Data

Number of mating cycles	200, without resistive load 100, with resistive load I _N = 16 A, tested (1.5mm ² /AWG 16)
Mating force of a plug-in connection	approx. 20 ... 70 N (depending on pole number)
Unmating force of a plug-in connection	when unlocked: approx. 20 ... 70 N (depending on pole number)
Retention force of a plug-in connection	when locked: > 80N
Note on protection class	IP40 when mated

Environmental Requirements

Processing temperature	-5 ... +40 °C
Continuous operating temperature	-35 ... +85 °C
Note on continuous service temperature	PVC cable for temperatures ≤ 70 °C (including halogen-free) Insulating parts for temperatures ≤ 105 °C

Cables with different fire load are available in the eShop

Application note for the U.S. market (USR): Some versions may also be used for current interruption in accordance with the UL certificate in select applications with currents below 5 A and voltages up to 600 V. For further information, please contact your local sales office.

All WINSTA® components are 100% protected against mismatching in terms of:

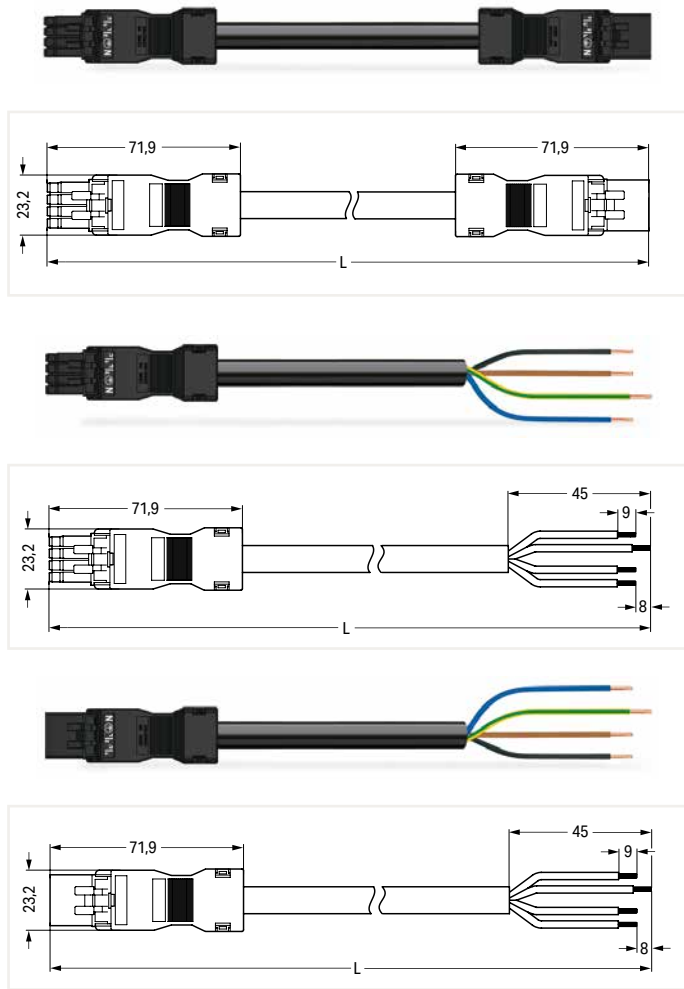
- plugging different number of poles
- plugging when turned by 180°
- plugging when laterally staggered
- plugging one pole

Additional information, see "Technical Section"

Approvals and corresponding ratings, visit www.wago.com

Cable Assembly ▶ WINSTA® MINI ▶ Serie 891

No. of poles: 4 ▶ 1.5 mm² ▶ Coding: A ▶ Marking: N ⊕ 2/L 1/L' ▶ Cable diameter: 8.4 ... 10.5 mm ▶ Reaction to fire class per EN 50575: E_{ca} ▶ PVC ▶ H05VV-F 4G1.5



Interconnecting cable ▶ Protection class: IP20; IP40 when mated ▶ Socket - Plug			
Total length	Connector color / Strain relief color		PU
	black / black	white / white	
1 m	891-8994/006-101	891-8994/006-102	1
2 m	891-8994/006-201	891-8994/006-202	1
3 m	891-8994/006-301	891-8994/006-302	1
4 m	891-8994/006-401	891-8994/006-402	1
5 m	891-8994/006-501	891-8994/006-502	1
6 m	891-8994/006-601	891-8994/006-602	1
7 m	891-8994/006-701	891-8994/006-702	1
8 m	891-8994/006-801	891-8994/006-802	1

Connecting cable ▶ Protection class: IP40 ▶ Socket - Free end			
Total length	Connector color / Strain relief color		PU
	black / black	white / white	
1 m	891-8994/106-101	891-8994/106-102	1
2 m	891-8994/106-201	891-8994/106-202	1
3 m	891-8994/106-301	891-8994/106-302	1
4 m	891-8994/106-401	891-8994/106-402	1
5 m	891-8994/106-501	891-8994/106-502	1
6 m	891-8994/106-601	891-8994/106-602	1
7 m	891-8994/106-701	891-8994/106-702	1
8 m	891-8994/106-801	891-8994/106-802	1

Connecting cable ▶ Protection class: IP20; IP40 when mated ▶ Plug - Free end			
Total length	Connector color / Strain relief color		PU
	black / black	white / white	
1 m	891-8994/206-101	891-8994/206-102	1
2 m	891-8994/206-201	891-8994/206-202	1
3 m	891-8994/206-301	891-8994/206-302	1
4 m	891-8994/206-401	891-8994/206-402	1
5 m	891-8994/206-501	891-8994/206-502	1
6 m	891-8994/206-601	891-8994/206-602	1
7 m	891-8994/206-701	891-8994/206-702	1
8 m	891-8994/206-801	891-8994/206-802	1

Accessories; for all products on this page



Locking lever; for flying leads; manually operated		
Color	Item Number	PU (SPU)
● black	890-101	100 (50)
○ white	890-121	100 (50)

Locking lever; for flying leads; tool operated		
Color	Item Number	PU (SPU)
● black	890-111	100 (50)
○ white	890-131	100 (50)

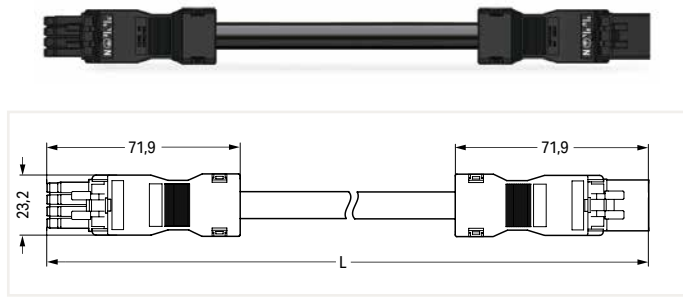
Mounting adapter; for 2- to 5-pole for flying leads		
Color	Item Number	PU
● black	890-310	100
○ white	890-311	100

PU = Packaging Unit; SPU = Subpackaging Unit; Dimensions in mm

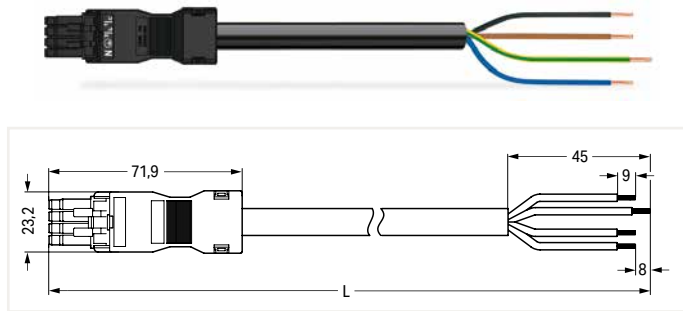
Cable Assembly ▶ WINSTA® MINI ▶ Serie 891

No. of poles: 4 ▶ 1.5 mm² ▶ Coding: A ▶ Marking: N ⊕ 2/L 1/L' ▶ Cable diameter: 8.4 ... 10.5 mm ▶ Reaction to fire class per EN 50575: E_{ca} ▶ Halogen-free ▶ H05Z1Z1-F 4G1.5

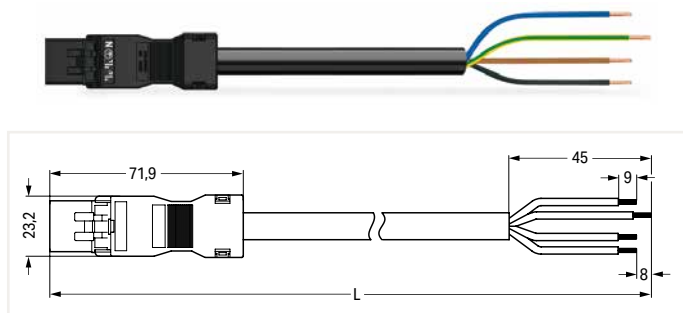
1



Interconnecting cable ▶ Protection class: IP20; IP40 when mated ▶ Socket - Plug			
Total length	Connector color / Strain relief color		PU
	black / black	white / white	
1 m	891-8994/016-101	891-8994/016-102	1
2 m	891-8994/016-201	891-8994/016-202	1
3 m	891-8994/016-301	891-8994/016-302	1
4 m	891-8994/016-401	891-8994/016-402	1
5 m	891-8994/016-501	891-8994/016-502	1
6 m	891-8994/016-601	891-8994/016-602	1
7 m	891-8994/016-701	891-8994/016-702	1
8 m	891-8994/016-801	891-8994/016-802	1



Connecting cable ▶ Protection class: IP40 ▶ Socket - Free end			
Total length	Connector color / Strain relief color		PU
	black / black	white / white	
1 m	891-8994/116-101	891-8994/116-102	1
2 m	891-8994/116-201	891-8994/116-202	1
3 m	891-8994/116-301	891-8994/116-302	1
4 m	891-8994/116-401	891-8994/116-402	1
5 m	891-8994/116-501	891-8994/116-502	1
6 m	891-8994/116-601	891-8994/116-602	1
7 m	891-8994/116-701	891-8994/116-702	1
8 m	891-8994/116-801	891-8994/116-802	1



Connecting cable ▶ Protection class: IP20; IP40 when mated ▶ Plug - Free end			
Total length	Connector color / Strain relief color		PU
	black / black	white / white	
1 m	891-8994/216-101	891-8994/216-102	1
2 m	891-8994/216-201	891-8994/216-202	1
3 m	891-8994/216-301	891-8994/216-302	1
4 m	891-8994/216-401	891-8994/216-402	1
5 m	891-8994/216-501	891-8994/216-502	1
6 m	891-8994/216-601	891-8994/216-602	1
7 m	891-8994/216-701	891-8994/216-702	1
8 m	891-8994/216-801	891-8994/216-802	1

Accessories; for all products on this page



Locking lever; for flying leads; manually operated		
Color	Item Number	PU (SPU)
● black	890-101	100 (50)
○ white	890-121	100 (50)



Locking lever; for flying leads; tool operated		
Color	Item Number	PU (SPU)
● black	890-111	100 (50)
○ white	890-131	100 (50)



Mounting adapter; for 2- to 5-pole for flying leads		
Color	Item Number	PU
● black	890-310	100
○ white	890-311	100

PU = Packaging Unit; SPU = Subpackaging Unit; Dimensions in mm

Pluggable Connector ▶ WINSTA® MINI ▶ Serie 890

No. of poles: 5

1



- Protected against mismatching and maintenance-free
- Push-in CAGE CLAMP® spring pressure connection technology allows solid conductors to be simply pushed into a unit
- Compact design with 4.4 mm pole spacing
- When assembled, the installation connectors complies with IP40 and are suitable for easily accessible areas

Electrical Data						
Coding	A			I		
Ratings per	IEC/EN 60664-1			IEC/EN 60664-1		
Overvoltage category	III	III	II	III	III	II
Pollution degree	3	2	2	3	2	2
Rated voltage	400 V	-	-	400 V	-	-
Rated impulse voltage	6 kV	-	-	6 kV	-	-
Rated current	13 A	-	-	16 A	-	-

Connection Data	
Connection technology	Push-in CAGE CLAMP®
Strip length	9 mm / 0.35 inch
Nominal cross section	1.5 mm ²
Solid conductor	0.25 ... 1.5 mm ² / 22 ... 16 AWG
Solid conductor, push-in termination	0.75 ... 1.5 mm ² / 20 ... 16 AWG
Stranded conductor	0.25 ... 1 mm ² / 22 ... 18 AWG
Fine-stranded conductor	0.25 ... 1.5 mm ² / 22 ... 16 AWG
Fine-stranded conductor with ferrule with plastic collar	0.25 ... 0.75 mm ² / 22 ... 20 AWG
Fine-stranded conductor with ferrule without plastic collar	0.25 ... 0.75 mm ² / 22 ... 20 AWG
Fine-stranded conductor with ferrule, push-in termination, from	0.75 mm ² / 20 AWG

Material Data	
Insulating material	Polyamide 66 (PA 66)
Clamping spring material	Chrome nickel spring steel (CrNi)
Contact material	Copper or copper alloy; surface-treated

Mechanical Data	
Number of mating cycles	200, without resistive load 100, with resistive load $I_N = 16$ A, tested (1.5 mm ² /AWG 16)
Mating force of a plug-in connection	Approx. 20 ... 70 N (depending on pole number)
Unmating force of a plug-in connection	When unlocked: approx. 20 ... 70 N (depending on pole number)
Retention force of a plug-in connection	When locked: > 80 N

Environmental Requirements	
Processing temperature	-5 ... +40 °C
Continuous operating temperature	-35 ... +85 °C
Note on continuous service temperature	Insulating parts for temperatures ≤ 105 °C

All connectors for mounted installations (snap-in versions for lighting fixtures or devices, all types of PCB and distribution connectors) are factory-equipped with locking levers to ensure plugs and sockets are securely locked. Additional locking levers are only required for flying leads (plug/socket).

Application note for the U.S. market (USR): Some versions may also be used for current interruption in accordance with the UL certificate in select applications with currents below 5 A and voltages up to 600 V. For further information, please contact your local sales office.

All WINSTA® components are 100% protected against mismatching in terms of:

- plugging different number of poles
- plugging when turned by 180°
- plugging when laterally staggered
- plugging one pole

Shield connection Page 469

Tools Page 492

Additional information, see "Technical Section"

Approvals and corresponding ratings, visit www.wago.com

Pluggable Connector ▶ WINSTA® MINI ▶ Serie 890

No. of poles: 5

strain relief housing ▶ Female connector/socket ▶ Strip length: 45 mm ▶ Standard network application ▶ Protection class: IP40

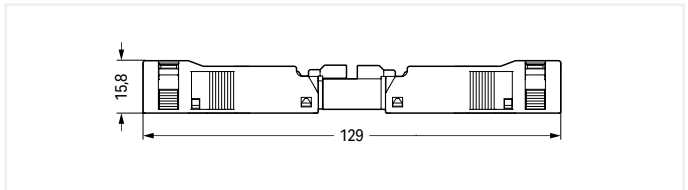
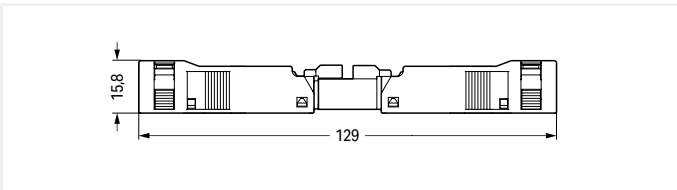
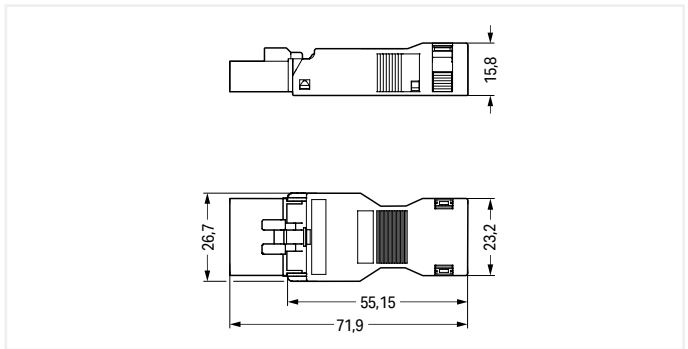
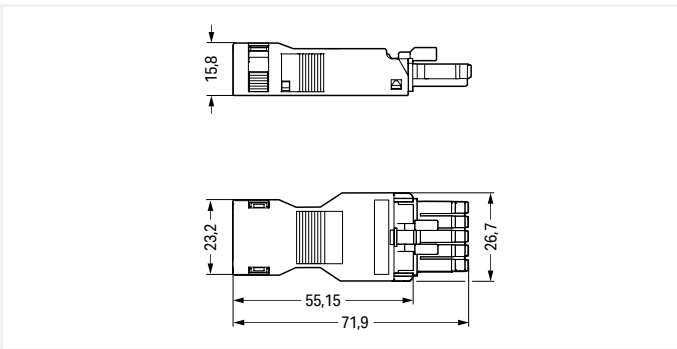
strain relief housing ▶ Male connector/plug ▶ Strip length: 45 mm ▶ Standard network application ▶ Protection class: IP40



1

Color	Coding	Marking	Item Number	PU
● black	A	N ⊕ 1 2 3	890-105	50
○ white	A	N ⊕ 1 2 3	890-125	50

Color	Coding	Marking	Item Number	PU
● black	A	N ⊕ 1 2 3	890-115	50
○ white	A	N ⊕ 1 2 3	890-135	50



Overall length when mated

Overall length when mated

Accessories; for all products on this page



Locking lever; for flying leads; manually operated		
Color	Item Number	PU (SPU)
● black	890-101	100 (50)
○ white	890-121	100 (50)

Locking lever; for flying leads; tool operated		
Color	Item Number	PU (SPU)
● black	890-111	100 (50)
○ white	890-131	100 (50)

Mounting adapter; for 2- to 5-pole for flying leads		
Color	Item Number	PU
● black	890-310	100
○ white	890-311	100



Operating tool; for WAGO connectors WINSTA® MINI; No. of poles: 5		
Color	Item Number	PU
● green	890-385	1

PU = Packaging Unit; SPU = Subpackaging Unit; Dimensions in mm

Pluggable Connector ▶ WINSTA® MINI ▶ Serie 890

No. of poles: 5

Female connector/socket ▶ Protection class: IP20; IP40 with strain relief housing

Male connector/plug ▶ Protection class: IP20; IP40 when mated with strain relief housing

1



Standard network application

Color	Coding	Marking	Item Number	PU
● black	A	N ⊕ 1 2 3	890-205	50
○ white	A	N ⊕ 1 2 3	890-225	50

Standard network application

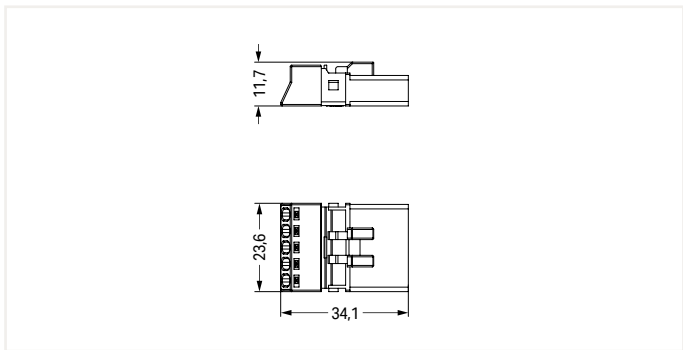
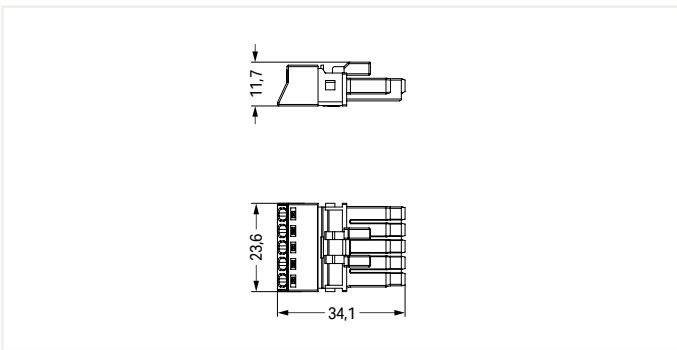
Color	Coding	Marking	Item Number	PU
● black	A	N ⊕ 1 2 3	890-215	50
○ white	A	N ⊕ 1 2 3	890-235	50

Lighting management

Color	Coding	Marking	Item Number	PU
● blue	I	N ⊕ L - +	890-1105	50

Lighting management

Color	Coding	Marking	Item Number	PU
● blue	I	N ⊕ L - +	890-1115	50



Accessories; for all products on this page



Locking lever; for flying leads; manually operated

Color	Item Number	PU (SPU)
● black	890-101	100 (50)
○ white	890-121	100 (50)

Locking lever; for flying leads; tool operated

Color	Item Number	PU (SPU)
● black	890-111	100 (50)
○ white	890-131	100 (50)

Mounting adapter; for 2- to 5-pole for flying leads

Color	Item Number	PU
● black	890-310	100
○ white	890-311	100



Operating tool; for WAGO connectors WINSTA® MINI; No. of poles: 5

Color	Item Number	PU
● green	890-385	1

Strain relief housing; Connectable sheathed cable diameter: 6.5 ... 10.5 mm; Strip length: 45 mm

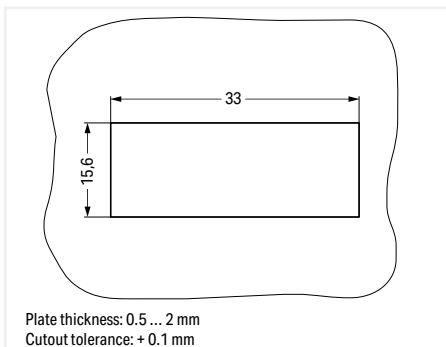
Color	Item Number	PU
● black	890-505	50
○ white	890-515	50

PU = Packaging Unit; SPU = Subpackaging Unit; Dimensions in mm

Snap-In Device Connector ▶ WINSTA® MINI ▶ Serie 890

No. of poles: 5

1



- Protected against mismatching and maintenance-free
- Push-in CAGE CLAMP® spring pressure connection technology allows solid conductors to be simply pushed into a unit
- Compact design with 4.4 mm pole spacing
- When assembled, the installation connectors complies with IP40 and are suitable for easily accessible areas

Electrical Data						
Coding	A			I		
Ratings per	IEC/EN 60664-1			IEC/EN 60664-1		
Overvoltage category	III	III	II	III	III	II
Pollution degree	3	2	2	3	2	2
Rated voltage	400 V	-	-	400 V	-	-
Rated impulse voltage	6 kV	-	-	6 kV	-	-
Rated current	13 A	-	-	16 A	-	-

Connection Data	
Connection technology	Push-in CAGE CLAMP®
Strip length	9 mm / 0.35 inch
Nominal cross section	1.5 mm ²
Solid conductor	0.25 ... 1.5 mm ² / 22 ... 16 AWG
Solid conductor, push-in termination	0.75 ... 1.5 mm ² / 20 ... 16 AWG
Stranded conductor	0.25 ... 1 mm ² / 22 ... 18 AWG
Fine-stranded conductor	0.25 ... 1.5 mm ² / 22 ... 16 AWG
Fine-stranded conductor with ferrule with plastic collar	0.25 ... 0.75 mm ² / 22 ... 20 AWG
Fine-stranded conductor with ferrule without plastic collar	0.25 ... 0.75 mm ² / 22 ... 20 AWG
Fine-stranded conductor with ferrule, push-in termination, from	0.75 mm ² / 20 AWG

Material Data	
Insulating material	Polyamide 66 (PA 66)
Clamping spring material	Chrome nickel spring steel (CrNi)
Contact material	Copper or copper alloy; surface-treated

Mechanical Data	
Number of mating cycles	200, without resistive load 100, with resistive load $I_N = 16$ A, tested (1.5mm ² /AWG 16)
Mating force of a plug-in connection	Approx. 20 ... 70 N (depending on pole number)
Unmating force of a plug-in connection	When unlocked: approx. 20 ... 70 N (depending on pole number)
Retention force of a plug-in connection	When locked: > 80 N

Environmental Requirements	
Processing temperature	-5 ... +40 °C
Continuous operating temperature	-35 ... +85 °C
Note on continuous service temperature	Insulating parts for temperatures ≤ 105 °C

All connectors for mounted installations (snap-in versions for lighting fixtures or devices, all types of PCB and distribution connectors) are factory-equipped with locking levers to ensure plugs and sockets are securely locked. Additional locking levers are only required for flying leads (plug/socket).

Application note for the U.S. market (USR): Some versions may also be used for current interruption in accordance with the UL certificate in select applications with currents below 5 A and voltages up to 600 V. For further information, please contact your local sales office.

All WINSTA® components are 100% protected against mismatching in terms of:

- plugging different number of poles
- plugging when turned by 180°
- plugging when laterally staggered
- plugging one pole

Tools Page 492

Additional information, see "Technical Section"

Approvals and corresponding ratings, visit www.wago.com

Snap-In Device Connector ▶ WINSTA® MINI ▶ Serie 890

No. of poles: 5

Female connector/socket ▶ Protection class: IP40

Male connector/plug ▶ Protection class: IP20; IP40 when mated



1

Standard network application				
Color	Coding	Marking	Item Number	PU (SPU)
● black	A	N ⊕ 1 2 3	890-705	50 (50)
○ white	A	N ⊕ 1 2 3	890-725	50 (50)

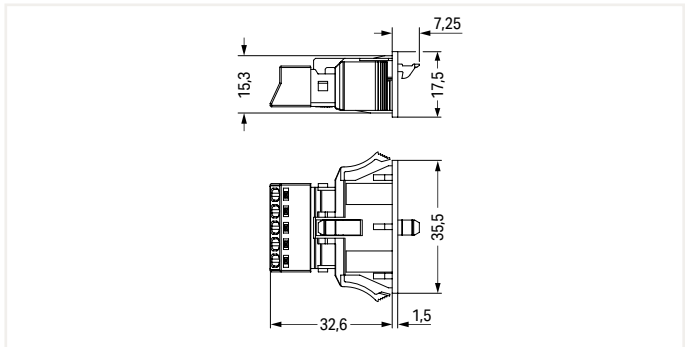
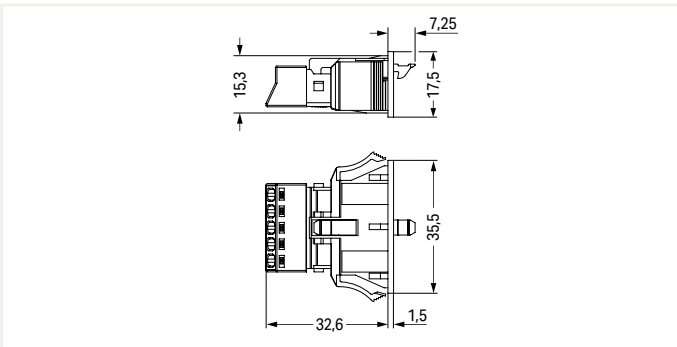
Standard network application				
Color	Coding	Marking	Item Number	PU (SPU)
● black	A	N ⊕ 1 2 3	890-715	50 (25)
○ white	A	N ⊕ 1 2 3	890-735	50 (50)

Lighting management				
Color	Coding	Marking	Item Number	PU (SPU)
● blue	I	N ⊕ L - +	890-2105	50 (50)

Lighting management				
Color	Coding	Marking	Item Number	PU (SPU)
● blue	I	N ⊕ L - +	890-2115	50 (50)

Standard network application ▶ without locking lever ▶ for lighting installation with intermediate coupler				
Color	Coding	Marking	Item Number	PU (SPU)
● black	A	N ⊕ 1 2 3	890-705/006-000	50 (50)
○ white	A	N ⊕ 1 2 3	890-725/006-000	50 (25)

Lighting management ▶ without locking lever ▶ for lighting installation with intermediate coupler				
Color	Coding	Marking	Item Number	PU (SPU)
● blue	I	N ⊕ L - +	890-2105/006-000	50 (50)



Accessories; for all products on this page



Lockout cap; for cutout; No. of poles: 3		
Color	Item Number	PU
● black	770-643	100
○ white	770-693	100

Operating tool; for WAGO connectors WINSTA® MINI; No. of poles: 5		
Color	Item Number	PU
● green	890-385	1

PU = Packaging Unit; SPU = Subpackaging Unit; Dimensions in mm

Pluggable PCB Connector ▶ WINSTA® MINI ▶ Serie 890

No. of poles: 5

1



- Protected against mismatching and maintenance-free
- Push-in CAGE CLAMP® spring pressure connection technology allows solid conductors to be simply pushed into a unit
- Compact design with 4.4 mm pole spacing

Electrical Data

Coding	A			I		
Ratings per	IEC/EN 60664-1			IEC/EN 60664-1		
Overvoltage category	III	III	II	III	III	II
Pollution degree	3	2	2	3	2	2
Rated voltage	250 V	-	-	250 V	-	-
Rated impulse voltage	4 kV	-	-	4 kV	-	-
Rated current	13 A	-	-	16 A	-	-

Material Data

Insulating material	Polyamide 66 (PA 66)
Clamping spring material	Chrome nickel spring steel (CrNi)
Contact material	Copper or copper alloy; surface-treated

Mechanical Data

Solder pin arrangement	2 in-line solder pins/pole
Solder pin length	3.5 mm
Solder pin dimensions	1 x 0.8 mm
Drilled hole diameter (tolerance)	1.3 (+0.1 ... +0.1) mm
Number of mating cycles	200, without resistive load 100, with resistive load $I_N = 16$ A, tested (1.5 mm ² /16 AWG)
Mating force of a plug-in connection	Approx. 20 ... 70 N (depending on pole number)
Unmating force of a plug-in connection	When unlocked: approx. 20 ... 70 N (depending on pole number)
Retention force of a plug-in connection	When locked: > 80 N

Environmental Requirements

Processing temperature	-5 ... +40 °C
Continuous operating temperature	-35 ... +85 °C
Note on continuous service temperature	Insulating parts for temperatures ≤ 105 °C

All connectors for mounted installations (snap-in versions for lighting fixtures or devices, all types of PCB and distribution connectors) are factory-equipped with locking levers to ensure plugs and sockets are securely locked. Additional locking levers are only required for flying leads (plug/socket).

Application note for the U.S. market (USR): Some versions may also be used for current interruption in accordance with the UL certificate in select applications with currents below 5 A and voltages up to 600 V. For further information, please contact your local sales office.

All WINSTA® components are 100% protected against mismatching in terms of:

- plugging different number of poles
- plugging when turned by 180°
- plugging when laterally staggered
- plugging one pole

Additional information, see "Technical Section"

Approvals and corresponding ratings, visit www.wago.com

Pluggable PCB Connector ▶ WINSTA® MINI ▶ Serie 890

No. of poles: 5

Straight ▶ Female connector/socket

Straight ▶ Male connector/plug



1

Standard network application

Color	Coding	Marking	Item Number	PU
● black	A	N ⊕ 1 2 3	890-805	50
○ white	A	N ⊕ 1 2 3	890-825	50

Standard network application

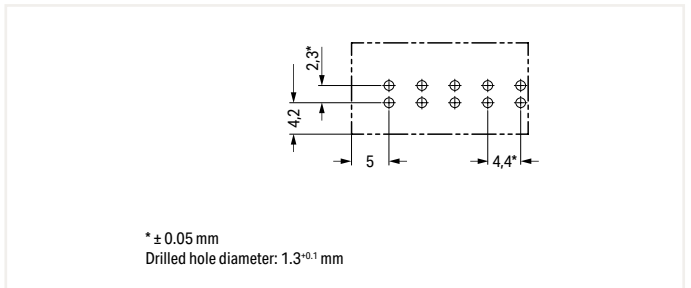
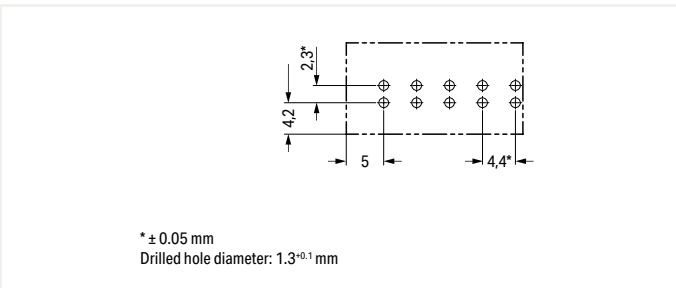
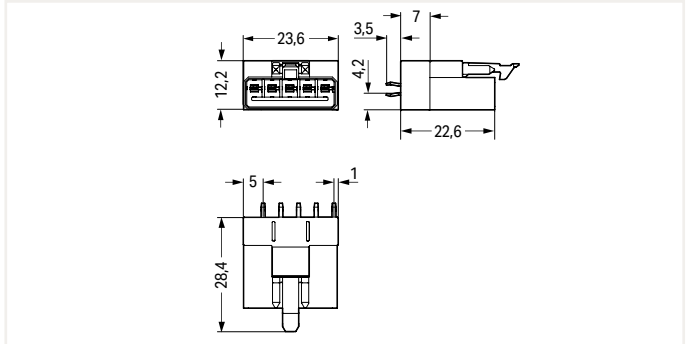
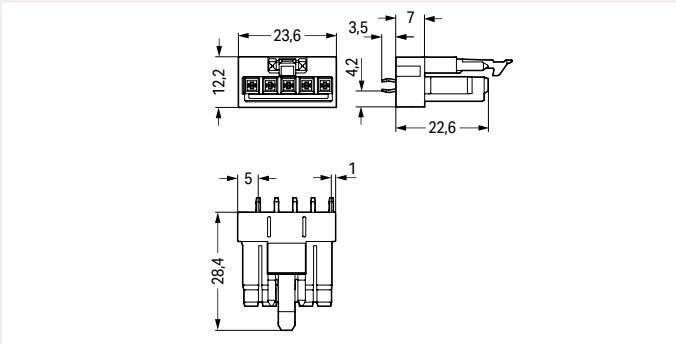
Color	Coding	Marking	Item Number	PU
● black	A	N ⊕ 1 2 3	890-815	50
○ white	A	N ⊕ 1 2 3	890-835	50

Lighting management

Color	Coding	Marking	Item Number	PU
● blue	I	N ⊕ L - +	890-3105	50

Lighting management

Color	Coding	Marking	Item Number	PU
● blue	I	N ⊕ L - +	890-3115	50



Pluggable PCB Connector ▶ WINSTA® MINI ▶ Serie 890

No. of poles: 5

Angled ▶ Female connector/socket

Angled ▶ Male connector/plug

1



Standard network application

Farbe	Coding	Marking	Item Number	PU
○	A	N ⊕ 1 2 3	890-805/011-000	50
○ white	A	N ⊕ 1 2 3	890-825/011-000	50

Standard network application

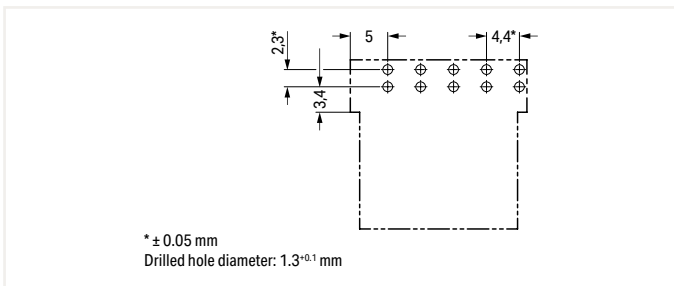
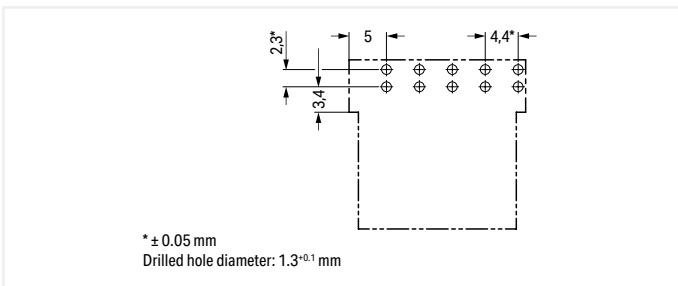
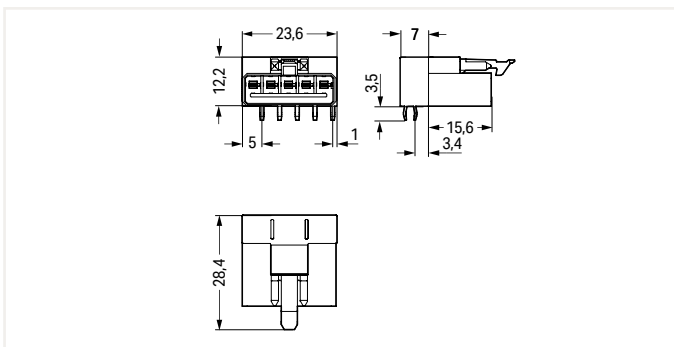
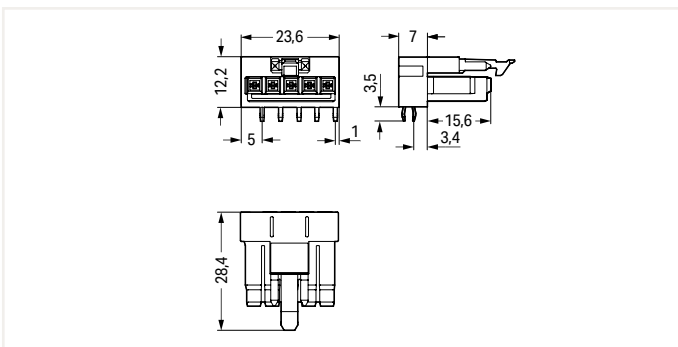
Color	Coding	Marking	Item Number	PU
● black	A	N ⊕ 1 2 3	890-815/011-000	50
○ white	A	N ⊕ 1 2 3	890-835/011-000	50

Lighting management

Color	Coding	Marking	Item Number	PU
● blue	I	N ⊕ L - +	890-3105/011-000	50

Lighting management

Color	Coding	Marking	Item Number	PU
● blue	I	N ⊕ L - +	890-3115/011-000	50



Distribution Connector ▶ WINSTA® MINI ▶ Serie 890

No. of poles: 5 ▶ Protection class: IP20; IP40 when mated

1



- Protected against mismatching and maintenance-free
- Compact design with 4.4 mm pole spacing
- When assembled, the installation connectors complies with IP40 and are suitable for easily accessible areas

Electrical Data

Coding	A			I		
Ratings per	IEC/EN 60664-1			IEC/EN 60664-1		
Overvoltage category	III	III	II	III	III	II
Pollution degree	3	2	2	3	2	2
Rated voltage	400 V	-	-	400 V	-	-
Rated impulse voltage	6 kV	-	-	6 kV	-	-
Rated current	13 A	-	-	16 A	-	-

Material Data

Insulating material	Polyamide 66 (PA 66)
Contact material	Copper or copper alloy; surface-treated

Mechanical Data

Number of mating cycles	200, without resistive load 100, with resistive load $I_N = 16$ A, tested (1.5mm ² /AWG 16)
Mating force of a plug-in connection	approx. 20 ... 70 N (depending on pole number)
Unmating force of a plug-in connection	when unlocked: approx. 20 ... 70 N (depending on pole number)
Retention force of a plug-in connection	When locked: > 80 N
Protection class	IP20
Note on protection class	IP40 when mated

Environmental Requirements

Processing temperature	-5 ... +40 °C
Continuous operating temperature	-35 ... +85 °C
Note on continuous service temperature	Insulating parts for temperatures ≤ 105 °C

All connectors for mounted installations (snap-in versions for lighting fixtures or devices, all types of PCB and distribution connectors) are factory-equipped with locking levers to ensure plugs and sockets are securely locked. Additional locking levers are only required for flying leads (plug/socket).

At least one snap-in connector **without** a locking lever is required on one side when connecting two lights directly via intermediate coupler.

Application note for the U.S. market (USR): Some versions may also be used for current interruption in accordance with the UL certificate in select applications with currents below 5 A and voltages up to 600 V. For further information, please contact your local sales office.

All WINSTA® components are 100% protected against mismatching in terms of:

- plugging different number of poles
- plugging when turned by 180°
- plugging when laterally staggered
- plugging one pole

Additional information, see "Technical Section"

Approvals and corresponding ratings, visit www.wago.com

Distribution Connector ▶ WINSTA® MINI ▶ Serie 890

No. of poles: 5 ▶ Protection class: IP20; IP40 when mated

Intermediate coupler



T-distribution connector ▶ Number of locking levers: 2



1

Standard network application

Color	Coding	Marking	Item Number	PU
● black	A		890-605	50
○ white	A		890-655	50

Standard network application

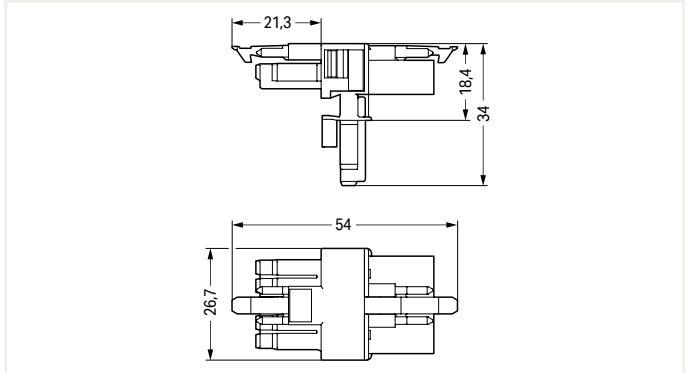
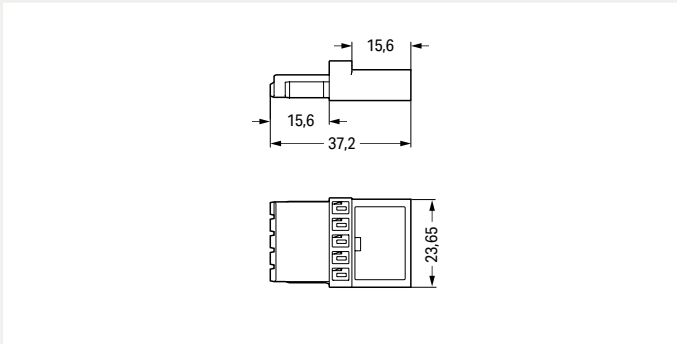
Color	Coding	Marking	Item Number	PU
● black	A	N ⊕ 1 2 3	890-621	25
○ white	A	N ⊕ 1 2 3	890-671	25

Lighting management

Color	Coding	Marking	Item Number	PU
● blue	I		890-619	50

Lighting management

Color	Coding	Marking	Item Number	PU
● blue	I	N ⊕ L - +	890-617	25



PU = Packaging Unit; SPU = Subpackaging Unit; Dimensions in mm

Distribution Connector ▶ WINSTA® MINI ▶ Serie 890

No. of poles: 5 ▶ Protection class: IP20; IP40 when mated

T-distribution connector ▶ Number of locking levers: 3 ▶ for flying leads

h-distribution connector, unidirectional ▶ Number of locking levers: 2

1



Standard network application

Color	Coding	Marking	Item Number	PU
● black	A	N ⊕ 1 2 3	890-622	25
○ white	A	N ⊕ 1 2 3	890-672	25

Standard network application

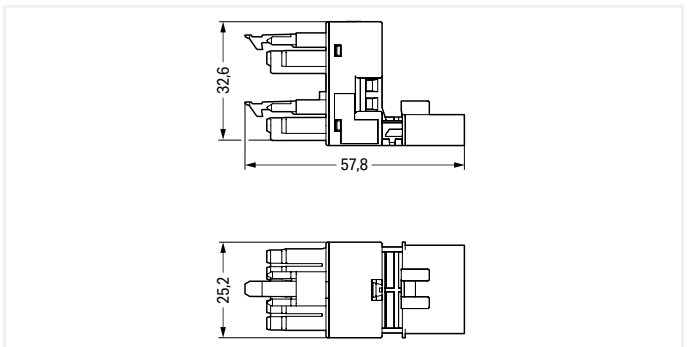
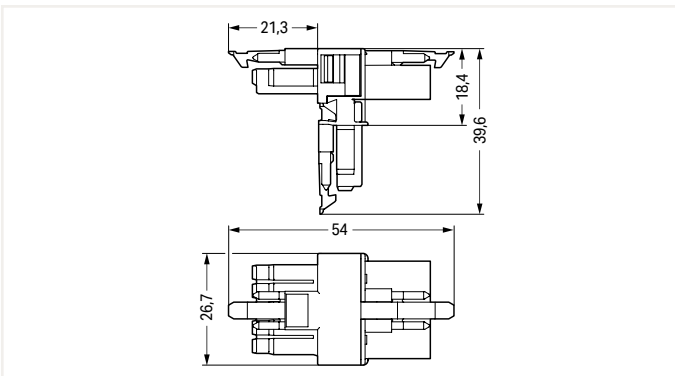
Color	Coding	Marking	Item Number	PU
● black	A	N ⊕ 1 2 3	890-929	50
○ white	A	N ⊕ 1 2 3	890-979	50

Lighting management

Color	Coding	Marking	Item Number	PU
● blue	I	N ⊕ L - +	890-620	25

Lighting management

Color	Coding	Marking	Item Number	PU
● blue	I	N ⊕ L - +	890-982	50



Item-Specific Accessories



Mounting plate; for distribution connector (except T-distribution connector); 5-pole

Color	Item Number	PU (SPU)
● black	890-625	50 (50)
○ white	890-675	50 (50)

Sold & Serviced By:



Toll Free Phone (877) SERV098

www.electromate.com

sales@electromate.com

Distribution Connector ▶ WINSTA® MINI ▶ Serie 890

No. of poles: 5 ▶ Protection class: IP20; IP40 when mated

h-distribution connector, unidirectional ▶ Number of locking levers: 3 ▶ for flying leads

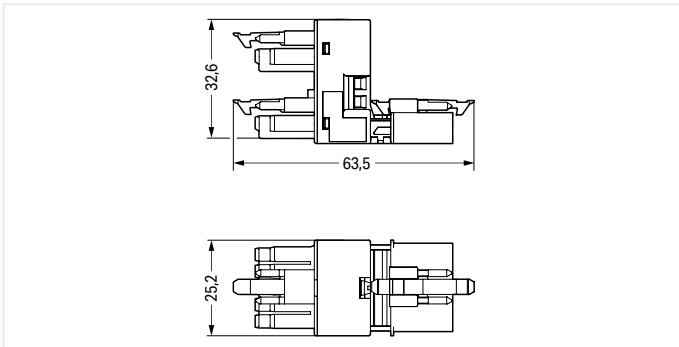


Standard network application

Color	Coding	Marking	Item Number	PU
● black	A	N ⊕ 1 2 3	890-930	50
○ white	A	N ⊕ 1 2 3	890-980	50

Lighting management

Color	Coding	Marking	Item Number	PU
● blue	I	N ⊕ L - +	890-983	50



Accessories; for all products on this page



Mounting plate; for distribution connector (except T-distribution connector); 5-pole

Color	Item Number	PU (SPU)
● black	890-625	50 (50)
○ white	890-675	50 (50)

PU = Packaging Unit; SPU = Subpackaging Unit; Dimensions in mm

Cable Assembly ▶ WINSTA® MINI ▶ Serie 891No. of poles: 5 ▶ 1.5 mm² ▶ Cable diameter: 9.3 ... 11.6 mm ▶ Reaction to fire class per EN 50575:E_{ca}

1



- Protected against mismatching and maintenance-free
- Compact design with 4.4 mm pole spacing

Electrical Data						
Coding	A			I		
Ratings per	IEC/EN 60664-1			IEC/EN 60664-1		
Overvoltage category	III	III	II	III	III	II
Pollution degree	3	2	2	3	2	2
Rated voltage	400 V	-	-	400 V	-	-
Rated impulse voltage	6 kV	-	-	6 kV	-	-
Rated current	13 A	-	-	16 A	-	-

Material Data	
Insulating material	Polyamide 66 (PA 66)
Contact material	Copper or copper alloy; surface-treated
Reaction to fire class per EN 50575	E _{ca}

Mechanical Data	
Number of mating cycles	200, without resistive load 100, with resistive load I _N = 16 A, tested (1.5mm ² /AWG 16)
Mating force of a plug-in connection	approx. 20 ... 70 N (depending on pole number)
Unmating force of a plug-in connection	when unlocked: approx. 20 ... 70 N (depending on pole number)
Retention force of a plug-in connection	when locked: > 80N
Note on protection class	IP40 when mated

Environmental Requirements	
Processing temperature	-5 ... +40 °C
Continuous operating temperature	-35 ... +85 °C
Note on continuous service temperature	PVC cable for temperatures ≤ 70 °C (including halogen-free) Insulating parts for temperatures ≤ 105 °C

Cables with different fire load are available in the eShop

Application note for the U.S. market (USR): Some versions may also be used for current interruption in accordance with the UL certificate in select applications with currents below 5 A and voltages up to 600 V. For further information, please contact your local sales office.

All WINSTA® components are 100% protected against mismatching in terms of:

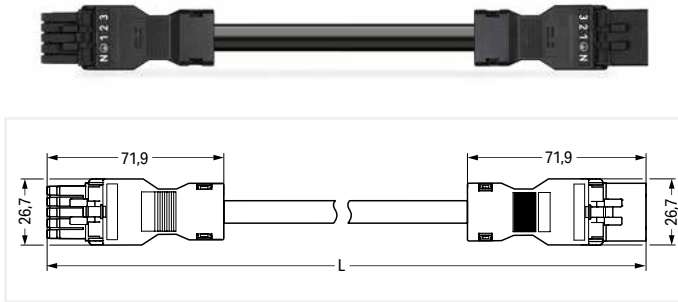
- plugging different number of poles
- plugging when turned by 180°
- plugging when laterally staggered
- plugging one pole

Additional information, see "Technical Section"

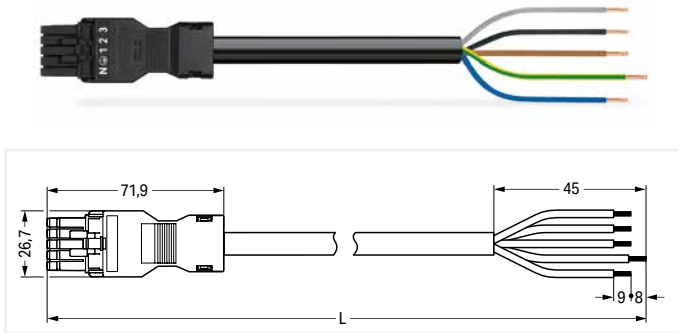
Approvals and corresponding ratings, visit www.wago.com

Cable Assembly ▶ WINSTA® MINI ▶ Serie 891

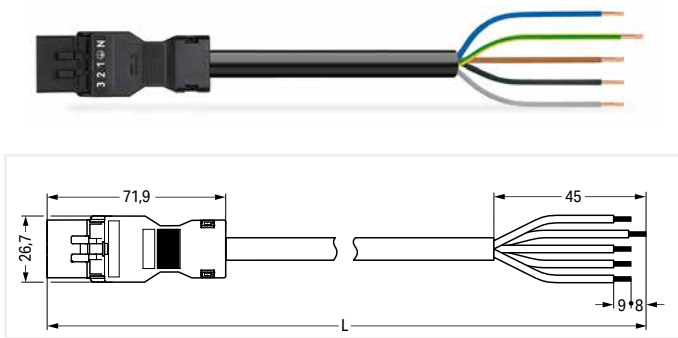
No. of poles: 5 ▶ 1.5 mm² ▶ Cable diameter: 9.3 ... 11.6 mm ▶ Reaction to fire class per EN 50575: E_{ca} ▶ Coding: A ▶ Marking: N ⊕ 1 2 3 ▶ PVC ▶ H05VV-F 5G1.5



Total length	Connector color / Strain relief color		PU
	black / black	white / white	
1 m	891-8995/006-101	891-8995/006-102	1
2 m	891-8995/006-201	891-8995/006-202	1
3 m	891-8995/006-301	891-8995/006-302	1
4 m	891-8995/006-401	891-8995/006-402	1
5 m	891-8995/006-501	891-8995/006-502	1
6 m	891-8995/006-601	891-8995/006-602	1
7 m	891-8995/006-701	891-8995/006-702	1
8 m	891-8995/006-801	891-8995/006-802	1



Total length	Connector color / Strain relief color		PU
	black / black	white / white	
1 m	891-8995/106-101	891-8995/106-102	1
2 m	891-8995/106-201	891-8995/106-202	1
3 m	891-8995/106-301	891-8995/106-302	1
4 m	891-8995/106-401	891-8995/106-402	1
5 m	891-8995/106-501	891-8995/106-502	1
6 m	891-8995/106-601	891-8995/106-602	1
7 m	891-8995/106-701	891-8995/106-702	1
8 m	891-8995/106-801	891-8995/106-802	1



Total length	Connector color / Strain relief color		PU
	black / black	white / white	
1 m	891-8995/206-101	891-8995/206-102	1
2 m	891-8995/206-201	891-8995/206-202	1
3 m	891-8995/206-301	891-8995/206-302	1
4 m	891-8995/206-401	891-8995/206-402	1
5 m	891-8995/206-501	891-8995/206-502	1
6 m	891-8995/206-601	891-8995/206-602	1
7 m	891-8995/206-701	891-8995/206-702	1
8 m	891-8995/206-801	891-8995/206-802	1

Accessories; for all products on this page



Locking lever; for flying leads; manually operated		
Color	Item Number	PU (SPU)
● black	890-101	100 (50)
○ white	890-121	100 (50)

Locking lever; for flying leads; tool operated		
Color	Item Number	PU (SPU)
● black	890-111	100 (50)
○ white	890-131	100 (50)

Mounting adapter; for 2- to 5-pole for flying leads		
Color	Item Number	PU
● black	890-310	100
○ white	890-311	100

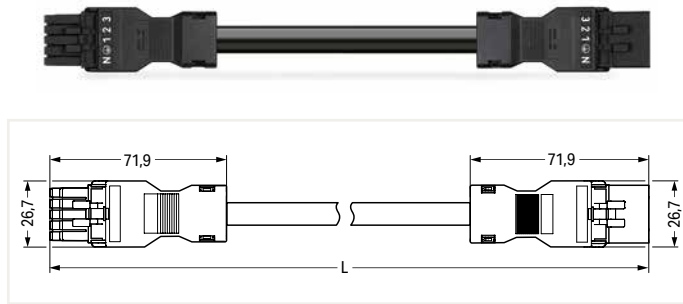
PU = Packaging Unit; SPU = Subpackaging Unit; Dimensions in mm

Cable Assembly ▶ WINSTA® MINI ▶ Serie 891

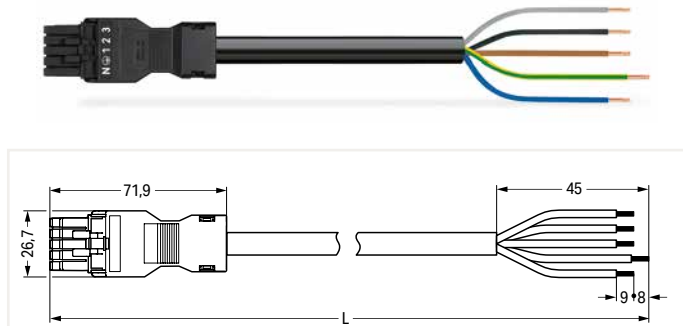
No. of poles: 5 ▶ 1.5 mm² ▶ Cable diameter: 9.3 ... 11.6 mm ▶ Reaction to fire class per EN 50575:

E_{ca} ▶ Coding: A ▶ Marking: N ⊕ 1 2 3 ▶ Halogen-free ▶ H05Z1Z1-F 5G1.5

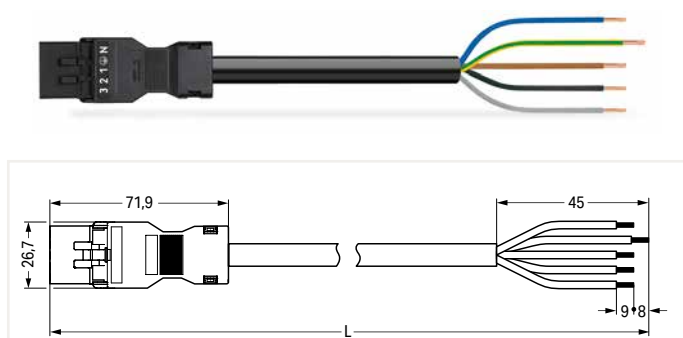
1



Total length	Connector color / Strain relief color		PU
	black / black	white / white	
1 m	891-8995/016-101	891-8995/016-102	1
2 m	891-8995/016-201	891-8995/016-202	1
3 m	891-8995/016-301	891-8995/016-302	1
4 m	891-8995/016-401	891-8995/016-402	1
5 m	891-8995/016-501	891-8995/016-502	1
6 m	891-8995/016-601	891-8995/016-602	1
7 m	891-8995/016-701	891-8995/016-702	1
8 m	891-8995/016-801	891-8995/016-802	1



Total length	Connector color / Strain relief color		PU
	black / black	white / white	
1 m	891-8995/116-101	891-8995/116-102	1
2 m	891-8995/116-201	891-8995/116-202	1
3 m	891-8995/116-301	891-8995/116-302	1
4 m	891-8995/116-401	891-8995/116-402	1
5 m	891-8995/116-501	891-8995/116-502	1
6 m	891-8995/116-601	891-8995/116-602	1
7 m	891-8995/116-701	891-8995/116-702	1
8 m	891-8995/116-801	891-8995/116-802	1



Total length	Connector color / Strain relief color		PU
	black / black	white / white	
1 m	891-8995/216-101	891-8995/216-102	1
2 m	891-8995/216-201	891-8995/216-202	1
3 m	891-8995/216-301	891-8995/216-302	1
4 m	891-8995/216-401	891-8995/216-402	1
5 m	891-8995/216-501	891-8995/216-502	1
6 m	891-8995/216-601	891-8995/216-602	1
7 m	891-8995/216-701	891-8995/216-702	1
8 m	891-8995/216-801	891-8995/216-802	1

Accessories; for all products on this page



Locking lever; for flying leads; manually operated		
Color	Item Number	PU (SPU)
● black	890-101	100 (50)
○ white	890-121	100 (50)

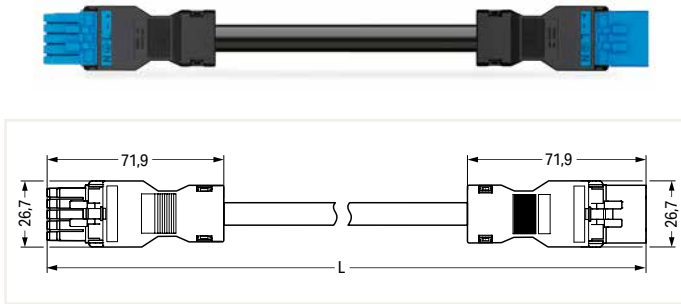
Locking lever; for flying leads; tool operated		
Color	Item Number	PU (SPU)
● black	890-111	100 (50)
○ white	890-131	100 (50)

Mounting adapter; for 2- to 5-pole for flying leads		
Color	Item Number	PU
● black	890-310	100
○ white	890-311	100

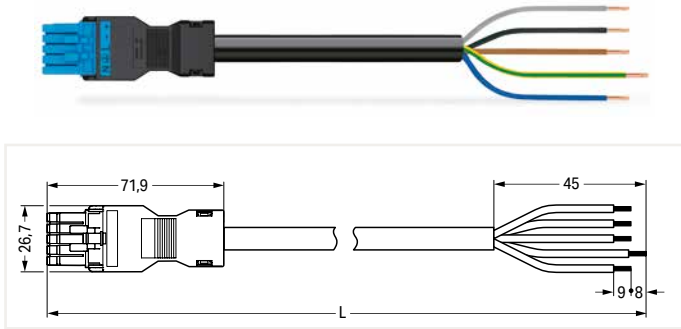
PU = Packaging Unit; SPU = Subpackaging Unit; Dimensions in mm

Cable Assembly ▶ WINSTA® MINI ▶ Serie 891

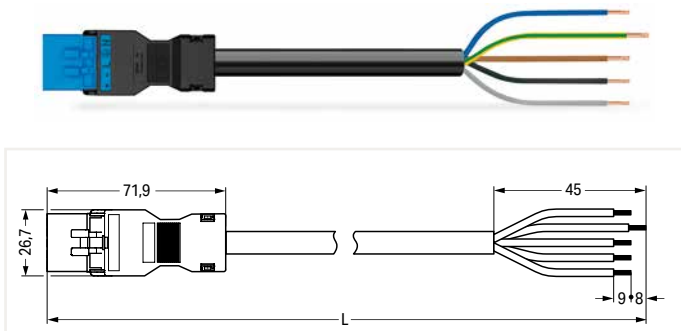
No. of poles: 5 ▶ 1.5 mm² ▶ Cable diameter: 9.3 ... 11.6 mm ▶ Reaction to fire class per EN 50575: E_{ca} ▶ Coding: I ▶ Marking: N ⊕ L - + ▶ PVC ▶ H05VV-F 5G1.5



Interconnecting cable ▶ Protection class: IP20; IP40 when mated ▶ Socket - Plug			
Total length	Connector color / Strain relief color		PU
	blue / black	blue / white	
1 m	891-8985/006-101	891-8985/006-102	1
2 m	891-8985/006-201	891-8985/006-202	1
3 m	891-8985/006-301	891-8985/006-302	1
4 m	891-8985/006-401	891-8985/006-402	1
5 m	891-8985/006-501	891-8985/006-502	1
6 m	891-8985/006-601	891-8985/006-602	1
7 m	891-8985/006-701	891-8985/006-702	1
8 m	891-8985/006-801	891-8985/006-802	1



Connecting cable ▶ Protection class: IP40 ▶ Socket - Free end			
Total length	Connector color / Strain relief color		PU
	blue / black	blue / white	
1 m	891-8985/106-101	891-8985/106-102	1
2 m	891-8985/106-201	891-8985/106-202	1
3 m	891-8985/106-301	891-8985/106-302	1
4 m	891-8985/106-401	891-8985/106-402	1
5 m	891-8985/106-501	891-8985/106-502	1
6 m	891-8985/106-601	891-8985/106-602	1
7 m	891-8985/106-701	891-8985/106-702	1
8 m	891-8985/106-801	891-8985/106-802	1



Connecting cable ▶ Protection class: IP20; IP40 when mated ▶ Plug - Free end			
Total length	Connector color / Strain relief color		PU
	blue / black	blue / white	
1 m	891-8985/206-101	891-8985/206-102	1
2 m	891-8985/206-201	891-8985/206-202	1
3 m	891-8985/206-301	891-8985/206-302	1
4 m	891-8985/206-401	891-8985/206-402	1
5 m	891-8985/206-501	891-8985/206-502	1
6 m	891-8985/206-601	891-8985/206-602	1
7 m	891-8985/206-701	891-8985/206-702	1
8 m	891-8985/206-801	891-8985/206-802	1

Sold & Serviced By:

 Toll Free Phone (877) SERV098
www.electromate.com
sales@electromate.com

Accessories; for all products on this page



Locking lever; for flying leads; manually operated		
Color	Item Number	PU (SPU)
● black	890-101	100 (50)
○ white	890-121	100 (50)



Locking lever; for flying leads; tool operated		
Color	Item Number	PU (SPU)
● black	890-111	100 (50)
○ white	890-131	100 (50)



Mounting adapter; for 2- to 5-pole for flying leads		
Color	Item Number	PU
● black	890-310	100
○ white	890-311	100

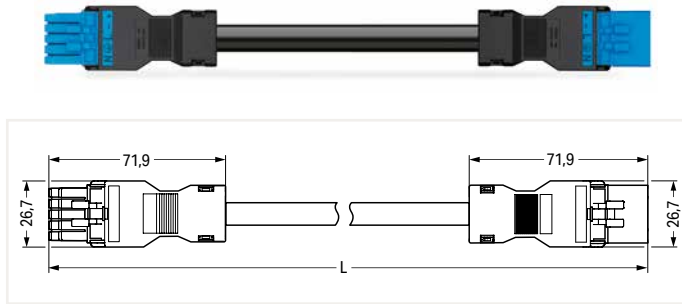
PU = Packaging Unit; SPU = Subpackaging Unit; Dimensions in mm

Cable Assembly ▶ WINSTA® MINI ▶ Serie 891

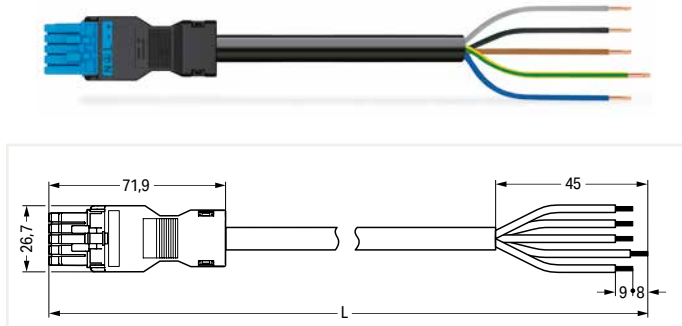
No. of poles: 5 ▶ 1.5 mm² ▶ Cable diameter: 9.3 ... 11.6 mm ▶ Reaction to fire class per EN 50575:

E_{ca} ▶ Coding: I ▶ Marking: N ⊕ L - + ▶ Halogen-free ▶ H05Z1Z1-F 5G1.5

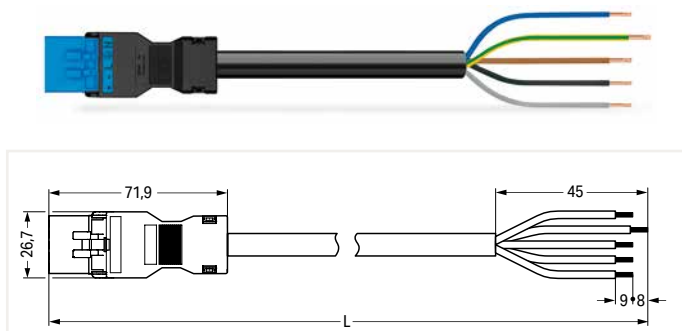
1



Interconnecting cable ▶ Protection class: IP20; IP40 when mated ▶ Socket - Plug			
Total length	Connector color / Strain relief color		PU
	blue / black	blue / white	
1 m	891-8985/016-101	891-8985/016-102	1
2 m	891-8985/016-201	891-8985/016-202	1
3 m	891-8985/016-301	891-8985/016-302	1
4 m	891-8985/016-401	891-8985/016-402	1
5 m	891-8985/016-501	891-8985/016-502	1
6 m	891-8985/016-601	891-8985/016-602	1
7 m	891-8985/016-701	891-8985/016-702	1
8 m	891-8985/016-801	891-8985/016-802	1



Connecting cable ▶ Protection class: IP40 ▶ Socket - Free end			
Total length	Connector color / Strain relief color		PU
	blue / black	blue / white	
1 m	891-8985/116-101	891-8985/116-102	1
2 m	891-8985/116-201	891-8985/116-202	1
3 m	891-8985/116-301	891-8985/116-302	1
4 m	891-8985/116-401	891-8985/116-402	1
5 m	891-8985/116-501	891-8985/116-502	1
6 m	891-8985/116-601	891-8985/116-602	1
7 m	891-8985/116-701	891-8985/116-702	1
8 m	891-8985/116-801	891-8985/116-802	1



Connecting cable ▶ Protection class: IP20; IP40 when mated ▶ Plug - Free end			
Total length	Connector color / Strain relief color		PU
	blue / black	blue / white	
1 m	891-8985/216-101	891-8985/216-102	1
2 m	891-8985/216-201	891-8985/216-202	1
3 m	891-8985/216-301	891-8985/216-302	1
4 m	891-8985/216-401	891-8985/216-402	1
5 m	891-8985/216-501	891-8985/216-502	1
6 m	891-8985/216-601	891-8985/216-602	1
7 m	891-8985/216-701	891-8985/216-702	1
8 m	891-8985/216-801	891-8985/216-802	1

Accessories; for all products on this page



Locking lever; for flying leads; manually operated		
Color	Item Number	PU (SPU)
● black	890-101	100 (50)
○ white	890-121	100 (50)

Locking lever; for flying leads; tool operated		
Color	Item Number	PU (SPU)
● black	890-111	100 (50)
○ white	890-131	100 (50)

Mounting adapter; for 2- to 5-pole for flying leads		
Color	Item Number	PU
● black	890-310	100
○ white	890-311	100

PU = Packaging Unit; SPU = Subpackaging Unit; Dimensions in mm

Sold & Serviced By:



Toll Free Phone (877) SERV098
www.electromate.com
sales@electromate.com



WAGO Pluggable Connection System *WINSTA*® MINI special






Important note:

B-Coded components from the *WINSTA*® MINI special series are designed for specialty applications (e.g., measurement, control and regulation technology) and certified per DIN EN 61984. In addition to the gray models rated from 110 to 400 V, there is now also a variant in light green for low voltages up to 48 V, as well as a pink one for bus applications. Each of the three versions is available in 2-, 3- or 4- and 5-pole configurations. Pole marking can be printed at the factory to suit customer requirements. B-coded products are protected against mismatching with all other coding types found in the *WINSTA*® system. Within B-coding, all special variants can mate with each other. Special variants can be clearly differentiated according to color and pole marking.

WAGO Pluggable Connection System WINSTA® MINI special ▶ 890, 891 Series

1.5 mm² / 16 A

- Note:**
- Installation connectors are designed for connection and disconnection while not under load.
 - There is no hazard-inducing interchangeability with systems based on IEC 60309, IEC 60320, IEC 60906 and with national connector and socket systems.
 - Compliance with the standards does not guarantee hazard-preventing, non-interchangeability with installation connector systems from various manufacturers.
 - Installation connector systems are not a substitute for residential connector/socket systems.

	Page	
	Pluggable Connectors; 890 Series	
	2-pole	112
	3-pole	126
	4-pole	140
	5-pole	156
	Snap-In Device Connectors; 890 Series	
	2-pole	114
	3-pole	128
	4-pole	142
	5-pole	158
	Pluggable PCB Connectors; 890 Series	
	2-pole	116
	3-pole	130
	4-pole	144
	5-pole	160
	Distribution Connectors; 890 Series	
	2-pole	120
	3-pole	134
	4-pole	148
	Cable Assemblies; 891 Series	
	2-pole	122
	3-pole	136
	4-pole	152
	5-pole	164

WINSTA® MINI special ▶ 890, 891 Series

Description and Installation

2



Gray, B-coded connector with "3 2 1" marking, e.g., control signal (A circuit)



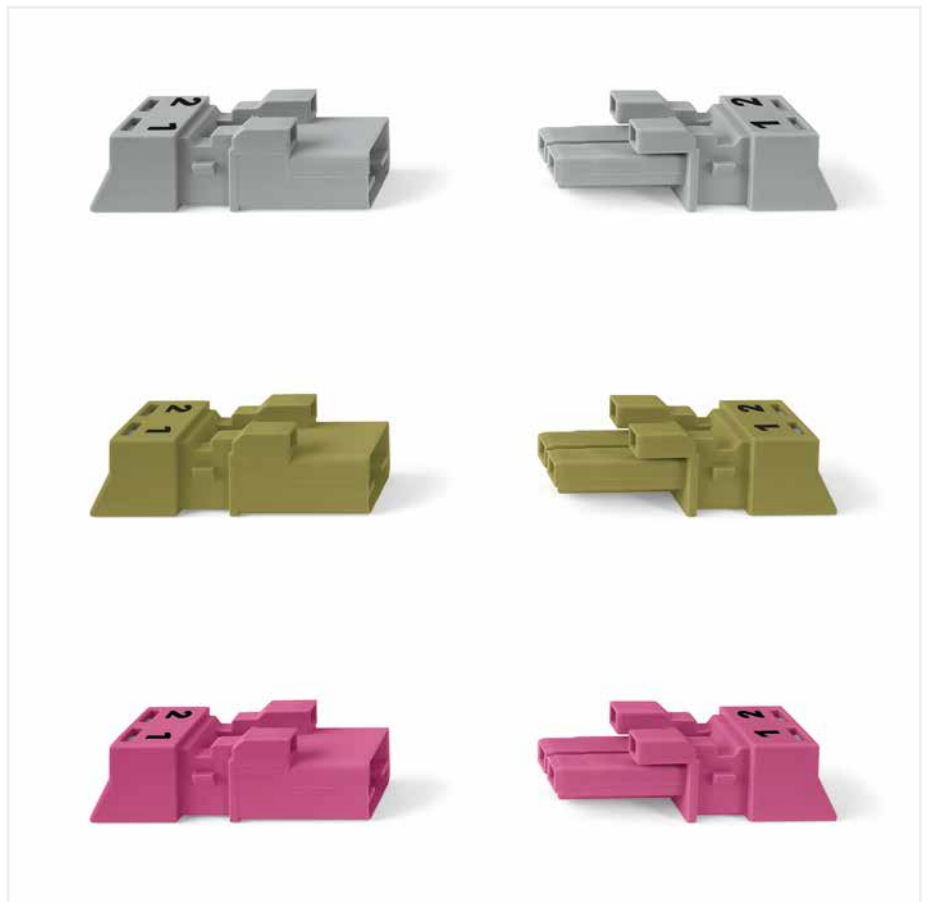
Easy circuit identification via different marking and colors



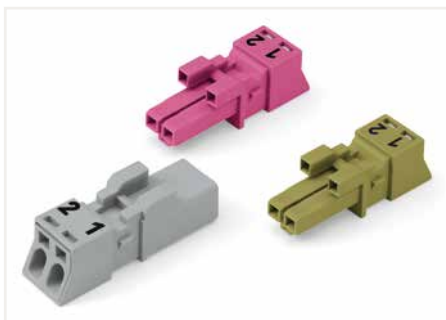
B-coded connectors (shown in gray) not only differ in color, but also in their design, making them incompatible with other coded connectors.



Light green, B-coded connector with "3 2 1" marking, e.g., DC power supply (24 V circuit)



Pink, B-coded connector with "3 2 1" marking, e.g., control signal (B circuit)



B-coded connectors with different colors can be plugged together.

Important note:

Different colors and/or pole markings are used for circuit identification.

Only connectors of the same color and same pole marking must be plugged together.



Sold & Serviced By:



Toll Free Phone (877) SERV098
www.electromate.com
sales@electromate.com

Pluggable Connector ▶ WINSTA® MINI special ▶ Serie 890

No. of poles: 2



- Protected against mismatching and maintenance-free
- Push-in CAGE CLAMP® spring pressure connection technology allows solid conductors to be simply pushed into a unit
- Compact design with 4.4 mm pole spacing
- Components can be clearly printed on and color-coded to meet custom requirements
- When assembled, the installation connectors complies with IP40 and are suitable for easily accessible areas

Electrical Data

Coding	B		
Ratings per	IEC/EN 60664-1		
Overvoltage category	III	III	II
Pollution degree	3	2	2
Rated voltage	250 V	-	-
Rated impulse voltage	4 kV	-	-
Rated current	16 A	-	-

Connection Data

Connection technology	Push-in CAGE CLAMP®
Strip length	9 mm / 0.35 inch
Nominal cross section	1.5 mm ²
Solid conductor	0.25 ... 1.5 mm ² / 22 ... 16 AWG
Solid conductor, push-in termination	0.75 ... 1.5 mm ² / 20 ... 16 AWG
Stranded conductor	0.25 ... 1 mm ² / 22 ... 18 AWG
Fine-stranded conductor	0.25 ... 1.5 mm ² / 22 ... 16 AWG
Fine-stranded conductor with ferrule with plastic collar	0.25 ... 0.75 mm ² / 22 ... 20 AWG
Fine-stranded conductor with ferrule without plastic collar	0.25 ... 0.75 mm ² / 22 ... 20 AWG
Fine-stranded conductor with ferrule, push-in termination, from	0.75 mm ² / 20 AWG

Material Data

Insulating material	Polyamide 66 (PA 66)
Clamping spring material	Chrome nickel spring steel (CrNi)
Contact material	Copper or copper alloy; surface-treated

Mechanical Data

Number of mating cycles	200, without resistive load 100, with resistive load $I_N = 16$ A, tested (1.5 mm ² /16 AWG)
Mating force of a plug-in connection	Approx. 20 ... 70 N (depending on pole number)
Unmating force of a plug-in connection	When unlocked: approx. 20 ... 70 N (depending on pole number)
Retention force of a plug-in connection	When locked: > 80 N
Protection class	IP20

Environmental Requirements

Processing temperature	-5 ... +40 °C
Continuous operating temperature	-35 ... +85 °C
Note on continuous service temperature	Insulating parts for temperatures ≤ 105 °C

All connectors for mounted installations (snap-in versions for lighting fixtures or devices, all types of PCB and distribution connectors) are factory-equipped with locking levers to ensure plugs and sockets are securely locked. Additional locking levers are only required for flying leads (plug/socket).

Application note for the U.S. market (USR): Some versions may also be used for current interruption in accordance with the UL certificate in select applications with currents below 5 A and voltages up to 600 V. For further information, please contact your local sales office.

All WINSTA® components are 100% protected against mismatching in terms of:

- plugging different number of poles
- plugging when turned by 180°
- plugging when laterally staggered
- plugging one pole

Tools Page 492

Additional information, see "Technical Section"

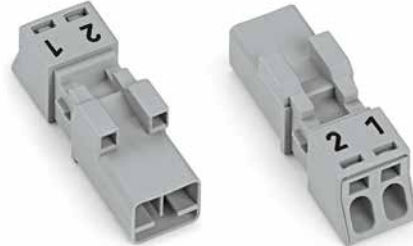
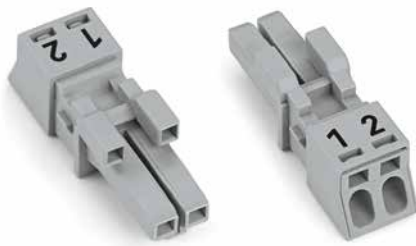
Approvals and corresponding ratings, visit www.wago.com

Pluggable Connector ▶ WINSTA® MINI special ▶ Serie 890

No. of poles: 2

Female connector/socket ▶ Protection class: IP20; IP40 with strain relief housing

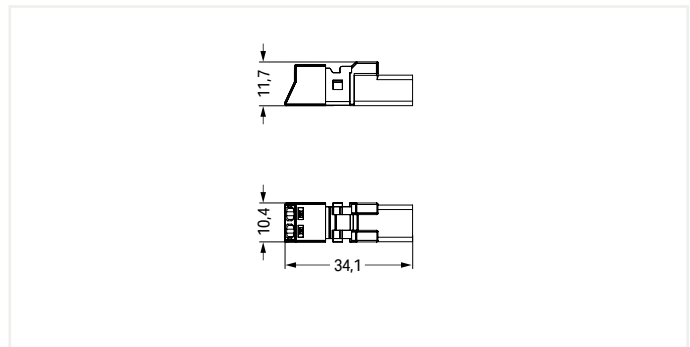
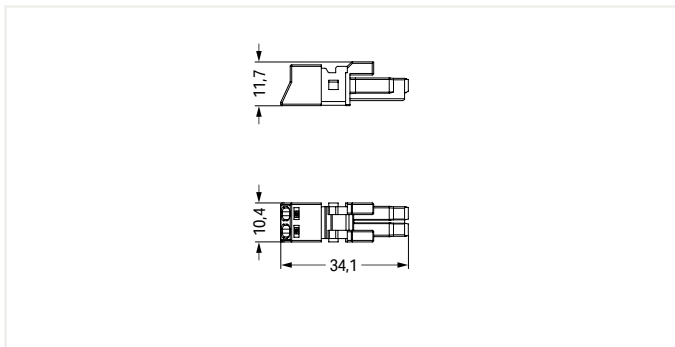
Male connector/plug ▶ Protection class: IP20; IP40 when mated with strain relief housing



2

Color	Coding	Marking	Item Number	PU
gray	B	1 2	890-242	50
gray	B	L N	890-242/060-000	50
light green	B	1 2	890-262	50
pink	B	1 2	890-282	50
pink	B	I+ I-	890-282/080-000	50
pink	B	+ -	890-282/082-000	50

Color	Coding	Marking	Item Number	PU
gray	B	1 2	890-252	50
gray	B	L N	890-252/060-000	50
light green	B	1 2	890-272	50
pink	B	1 2	890-292	50
pink	B	I+ I-	890-292/080-000	50
pink	B	+ -	890-292/082-000	50



Accessories; for all products on this page



Locking lever; for flying leads; manually operated		
Color	Item Number	PU (SPU)
● black	890-101	100 (50)
○ white	890-121	100 (50)



Locking lever; for flying leads; tool operated		
Color	Item Number	PU (SPU)
● black	890-111	100 (50)
○ white	890-131	100 (50)



Mounting adapter; for 2- to 5-pole for flying leads		
Color	Item Number	PU
● black	890-310	100
○ white	890-311	100



Operating tool; for WAGO connectors WINSTA® MINI; No. of poles: 2		
Color	Item Number	PU
● green	890-382	1



Strain relief housing; Connectable sheathed cable diameter: 3.8 ... 8.2 mm; Strip length: 32 mm		
Color	Item Number	PU
● black	890-502	50
○ white	890-512	50



Strain relief housing; Connectable sheathed cable diameter: 3.8 ... 8.2 mm; Strip length: 17.5 mm		
Color	Item Number	PU
● black	890-502/342-000	50
○ white	890-512/342-000	50

PU = Packaging Unit; SPU = Subpackaging Unit; Dimensions in mm

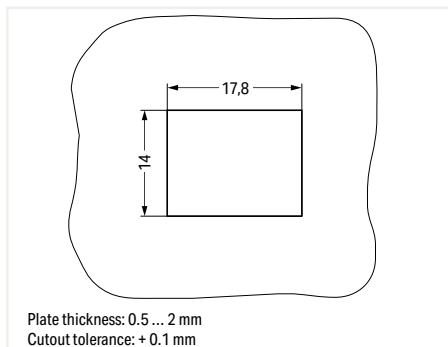
Other variants can be requested via the WAGO sales department or, if necessary, configured at <https://configurator.wago.com/>:

- Other pole markings

Snap-In Device Connector ▶ WINSTA® MINI special ▶ Serie 890

No. of poles: 2

2



- Protected against mismatching and maintenance-free
- Push-in CAGE CLAMP® spring pressure connection technology allows solid conductors to be simply pushed into a unit
- Compact design with 4.4 mm pole spacing
- Components can be clearly printed on and color-coded to meet custom requirements
- When assembled, the installation connectors complies with IP40 and are suitable for easily accessible areas

Electrical Data			
Coding	B		
Ratings per	IEC/EN 60664-1		
Overvoltage category	III	III	II
Pollution degree	3	2	2
Rated voltage	250 V	-	-
Rated impulse voltage	4 kV	-	-
Rated current	16 A	-	-

Connection Data	
Connection technology	Push-in CAGE CLAMP®
Strip length	9 mm / 0.35 inch
Nominal cross section	1.5 mm ²
Solid conductor	0.25 ... 1.5 mm ² / 22 ... 16 AWG
Solid conductor, push-in termination	0.75 ... 1.5 mm ² / 20 ... 16 AWG
Stranded conductor	0.25 ... 1 mm ² / 22 ... 18 AWG
Fine-stranded conductor	0.25 ... 1.5 mm ² / 22 ... 16 AWG
Fine-stranded conductor with ferrule with plastic collar	0.25 ... 0.75 mm ² / 22 ... 20 AWG
Fine-stranded conductor with ferrule without plastic collar	0.25 ... 0.75 mm ² / 22 ... 20 AWG
Fine-stranded conductor with ferrule, push-in termination, from	0.75 mm ² / 20 AWG

Material Data	
Insulating material	Polyamide 66 (PA 66)
Clamping spring material	Chrome nickel spring steel (CrNi)
Contact material	Copper or copper alloy; surface-treated

Mechanical Data	
Number of mating cycles	200, without resistive load 100, with resistive load $I_N = 16$ A, tested (1.5 mm ² /16 AWG)
Mating force of a plug-in connection	Approx. 20 ... 70 N (depending on pole number)
Unmating force of a plug-in connection	When unlocked: approx. 20 ... 70 N (depending on pole number)
Retention force of a plug-in connection	When locked: > 80 N

Environmental Requirements	
Processing temperature	-5 ... +40 °C
Continuous operating temperature	-35 ... +85 °C
Note on continuous service temperature	Insulating parts for temperatures ≤ 105 °C

All connectors for mounted installations (snap-in versions for lighting fixtures or devices, all types of PCB and distribution connectors) are factory-equipped with locking levers to ensure plugs and sockets are securely locked. Additional locking levers are only required for flying leads (plug/socket).

Application note for the U.S. market (USR): Some versions may also be used for current interruption in accordance with the UL certificate in select applications with currents below 5 A and voltages up to 600 V. For further information, please contact your local sales office.

All WINSTA® components are 100% protected against mismatching in terms of:

- plugging different number of poles
- plugging when turned by 180°
- plugging when laterally staggered
- plugging one pole

Tools Page 492

Additional information, see "Technical Section"

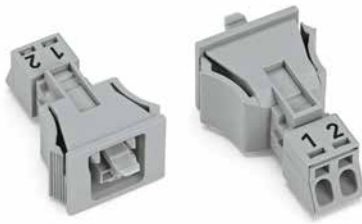
Approvals and corresponding ratings, visit www.wago.com

Snap-In Device Connector ▶ WINSTA® MINI special ▶ Serie 890

No. of poles: 2

Female connector/socket ▶ Protection class: IP40

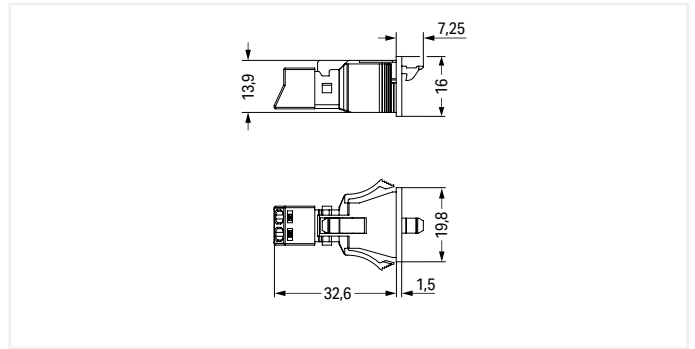
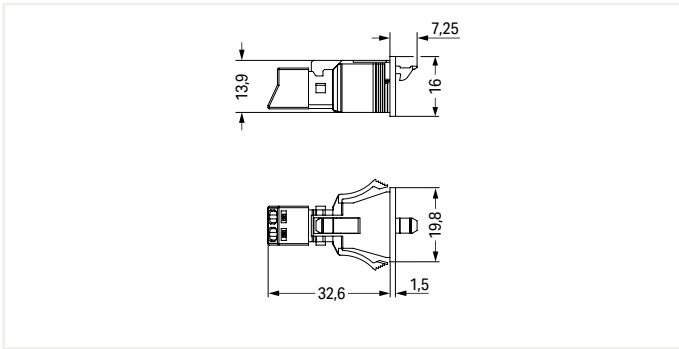
Male connector/plug ▶ Protection class: IP20; IP40 when mated



2

Color	Coding	Marking	Item Number	PU (SPU)
gray	B	1 2	890-742	50 (50)
gray	B	L N	890-742/060-000	50 (50)
light green	B	1 2	890-762	50 (50)
pink	B	1 2	890-782	50 (50)
pink	B	I+ I-	890-782/080-000	50 (50)
pink	B	+ -	890-782/082-000	50 (50)

Color	Coding	Marking	Item Number	PU (SPU)
gray	B	1 2	890-752	50 (50)
gray	B	L N	890-752/060-000	50 (50)
light green	B	1 2	890-772	50 (50)
pink	B	1 2	890-792	50 (50)
pink	B	I+ I-	890-792/080-000	50 (50)
pink	B	+ -	890-792/082-000	50 (50)



Sold & Serviced By:



Toll Free Phone (877) SERV098
www.electromate.com
sales@electromate.com

Accessories; for all products on this page



Operating tool; for WAGO connectors WINSTA® MINI;
No. of poles: 2

Color	Item Number	PU
green	890-382	1

Lockout cap; for cutout; No. of poles: 2

Color	Item Number	PU
black	890-642	100
white	890-692	100

PU = Packaging Unit; SPU = Subpackaging Unit; Dimensions in mm

Other variants can be requested via the WAGO sales department or, if necessary, configured at <https://configurator.wago.com/>:

- Other pole markings

Pluggable PCB Connector ▶ WINSTA® MINI special ▶ Serie 890

No. of poles: 2

2



- Protected against mismatching and maintenance-free
- Push-in CAGE CLAMP® spring pressure connection technology allows solid conductors to be simply pushed into a unit
- Compact design with 4.4 mm pole spacing
- Components can be clearly printed on and color-coded to meet custom requirements

Electrical Data

Coding	B		
Ratings per	IEC/EN 60664-1		
Overvoltage category	III	III	II
Pollution degree	3	2	2
Rated voltage	250 V	-	-
Rated impulse voltage	4 kV	-	-
Rated current	16 A	-	-

Material Data

Insulating material	Polyamide 66 (PA 66)
Clamping spring material	Chrome nickel spring steel (CrNi)
Contact material	Copper or copper alloy; surface-treated

Mechanical Data

Solder pin arrangement	2 in-line solder pins/pole
Solder pin length	3.5 mm
Solder pin dimensions	1 x 0.8 mm
Drilled hole diameter (tolerance)	1.3 (+0.1 ... +0.1) mm
Number of mating cycles	200, without resistive load 100, with resistive load $I_N = 16$ A, tested (1.5 mm ² /16 AWG)
Mating force of a plug-in connection	Approx. 20 ... 70 N (depending on pole number)
Unmating force of a plug-in connection	When unlocked: approx. 20 ... 70 N (depending on pole number)
Retention force of a plug-in connection	When locked: > 80 N

Environmental Requirements

Processing temperature	-5 ... +40 °C
Continuous operating temperature	-35 ... +85 °C
Note on continuous service temperature	Insulating parts for temperatures ≤ 105 °C

All connectors for mounted installations (snap-in versions for lighting fixtures or devices, all types of PCB and distribution connectors) are factory-equipped with locking levers to ensure plugs and sockets are securely locked. Additional locking levers are only required for flying leads (plug/socket).

Application note for the U.S. market (USR): Some versions may also be used for current interruption in accordance with the UL certificate in select applications with currents below 5 A and voltages up to 600 V. For further information, please contact your local sales office.

All WINSTA® components are 100% protected against mismatching in terms of:

- plugging different number of poles
- plugging when turned by 180°
- plugging when laterally staggered
- plugging one pole

Additional information, see "Technical Section"

Approvals and corresponding ratings, visit www.wago.com

Pluggable PCB Connector ▶ WINSTA® MINI special ▶ Serie 890

No. of poles: 2

Straight ▶ Female connector/socket

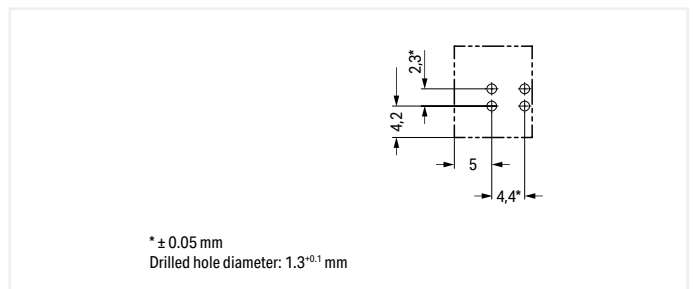
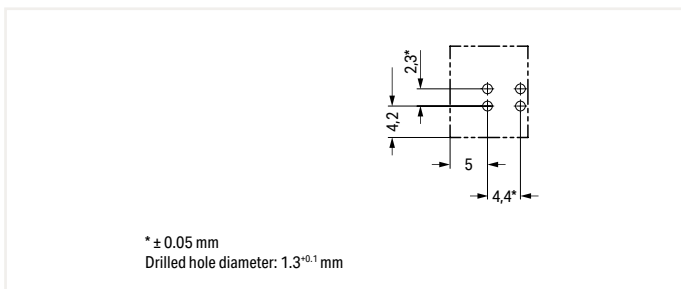
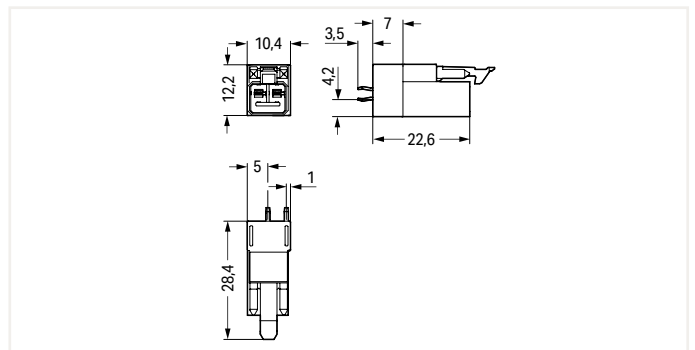
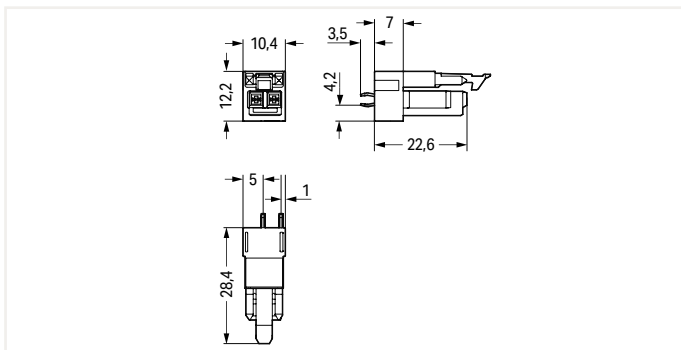
Straight ▶ Male connector/plug



2

Color	Coding	Marking	Item Number	PU
gray	B	1 2	890-842	100
light green	B	1 2	890-862	100
pink	B	1 2	890-882	100

Color	Coding	Marking	Item Number	PU
gray	B	1 2	890-852	100
light green	B	1 2	890-872	100
pink	B	1 2	890-892	100



PU = Packaging Unit; SPU = Subpackaging Unit; Dimensions in mm

Other variants can be requested via the WAGO sales department or, if necessary, configured at <https://configurator.wago.com/>:

- Other pole markings

Pluggable PCB Connector ▶ WINSTA® MINI special ▶ Serie 890

No. of poles: 2

Angled ▶ Female connector/socket

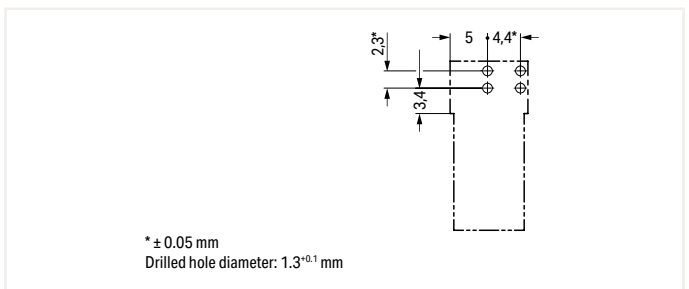
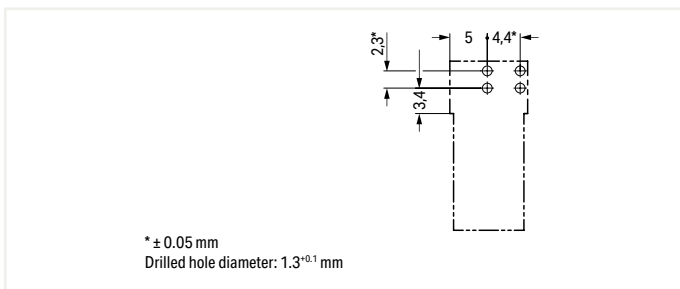
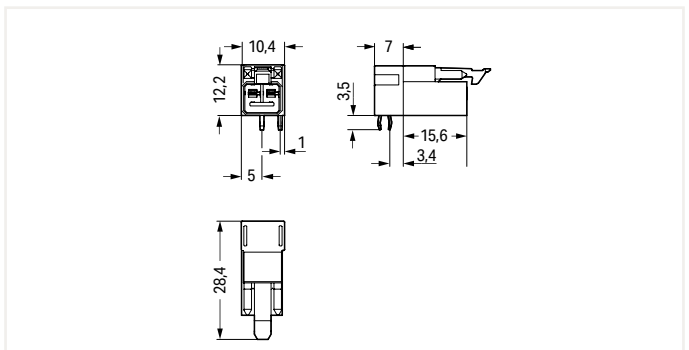
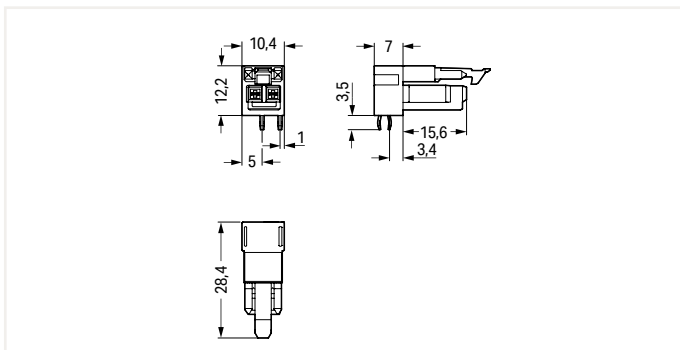
Angled ▶ Male connector/plug



2

Color	Coding	Marking	Item Number	PU
gray	B	1 2	890-842/011-000	100
light green	B	1 2	890-862/011-000	100
pink	B	1 2	890-882/011-000	100

Color	Coding	Marking	Item Number	PU
gray	B	1 2	890-852/011-000	100
light green	B	1 2	890-872/011-000	100
pink	B	1 2	890-892/011-000	100



PU = Packaging Unit; SPU = Subpackaging Unit; Dimensions in mm

Other variants can be requested via the WAGO sales department or, if necessary, configured at <https://configurator.wago.com/>:

- Other pole markings

Sold & Serviced By:



Toll Free Phone (877) SERV098
www.electromate.com
sales@electromate.com

Distribution Connector ▶ WINSTA® MINI special ▶ Serie 890

No. of poles: 2 ▶ T-distribution connector ▶ Protection class: IP20; IP40 when mated

2



- Protected against mismatching and maintenance-free
- Compact design with 4.4 mm pole spacing
- Components can be clearly printed on and color-coded to meet custom requirements
- When assembled, the installation connectors complies with IP40 and are suitable for easily accessible areas

Electrical Data

Coding	B		
Ratings per	IEC/EN 60664-1		
Overvoltage category	III	III	II
Pollution degree	3	2	2
Rated voltage	250 V	-	-
Rated impulse voltage	4 kV	-	-
Rated current	16 A	-	-

Material Data

Insulating material	Polyamide 66 (PA 66)
Contact material	Copper or copper alloy; surface-treated

Mechanical Data

Number of mating cycles	200, without resistive load 100, with resistive load $I_N = 16$ A, tested (1.5 mm ² /16 AWG)
Mating force of a plug-in connection	approx. 20 ... 70 N (depending on pole number)
Unmating force of a plug-in connection	when unlocked: approx. 20 ... 70 N (depending on pole number)
Retention force of a plug-in connection	When locked: > 80 N
Protection class	IP20
Note on protection class	IP40 when mated

Environmental Requirements

Processing temperature	-5 ... +40 °C
Continuous operating temperature	-35 ... +85 °C
Note on continuous service temperature	Insulating parts for temperatures ≤ 105 °C

All connectors for mounted installations (snap-in versions for lighting fixtures or devices, all types of PCB and distribution connectors) are factory-equipped with locking levers to ensure plugs and sockets are securely locked. Additional locking levers are only required for flying leads (plug/socket).

Application note for the U.S. market (USR): Some versions may also be used for current interruption in accordance with the UL certificate in select applications with currents below 5 A and voltages up to 600 V. For further information, please contact your local sales office.

All WINSTA® components are 100% protected against mismatching in terms of:

- plugging different number of poles
- plugging when turned by 180°
- plugging when laterally staggered
- plugging one pole

Additional information, see "Technical Section"

Approvals and corresponding ratings, visit www.wago.com

Sold & Serviced By:

 **ELECTROMATE**

Toll Free Phone (877) SERV098

www.electromate.com
sales@electromate.com

Distribution Connector ▶ WINSTA® MINI special ▶ Serie 890

No. of poles: 2 ▶ T-distribution connector ▶ Protection class: IP20; IP40 when mated

Number of locking levers: 2

Number of locking levers: 3 ▶ for flying leads

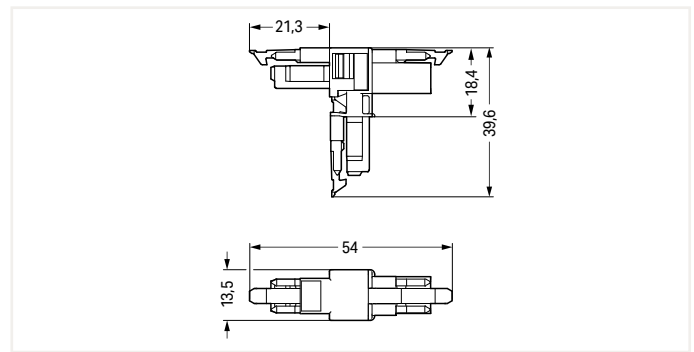
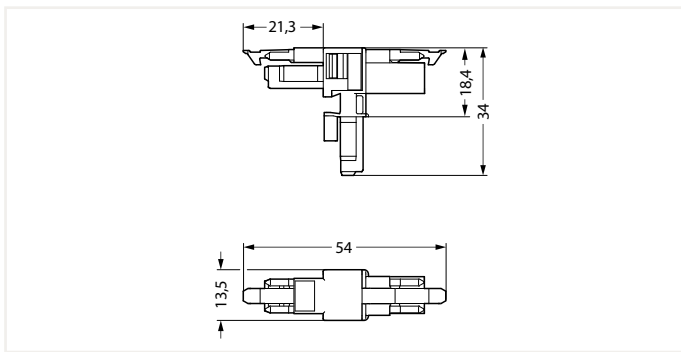


Fig. similar

2

Color	Coding	Marking	Item Number	PU
gray	B	1 2	890-1601	25
light green	B	1 2	890-1602	25
pink	B	1 2	890-1603	25

Color	Coding	Marking	Item Number	PU
gray	B	1 2	890-1701	25
light green	B	1 2	890-1702	25
pink	B	1 2	890-1703	25



PU = Packaging Unit; SPU = Subpackaging Unit; Dimensions in mm

Other variants can be requested via the WAGO sales department or, if necessary, configured at <https://configurator.wago.com/>:

- Other pole markings

Cable Assembly ▶ WINSTA® MINI special ▶ Serie 891No. of poles: 2 ▶ Marking: 1 2 ▶ PVC ▶ Reaction to fire class per EN 50575: E_{ca}

- Protected against mismatching and maintenance-free
- Compact design with 4.4 mm pole spacing
- Components can be clearly printed on and color-coded to meet custom requirements
- When assembled, the installation connectors complies with IP40 and are suitable for easily accessible areas

Electrical Data						
Coding	B			B		
Cross section of single conductor	1 mm ²			1.5 mm ²		
Ratings per	IEC/EN 60664-1			IEC/EN 60664-1		
Overvoltage category	III	III	II	III	III	II
Pollution degree	3	2	2	3	2	2
Rated voltage	250 V	-	-	250 V	-	-
Rated impulse voltage	4 kV	-	-	4 kV	-	-
Rated current	10 A	-	-	16 A	-	-

Material Data	
Insulating material	Polyamide 66 (PA 66)
Contact material	Copper or copper alloy; surface-treated
Reaction to fire class per EN 50575	E _{ca}

Mechanical Data	
Number of mating cycles	200, without resistive load 100, with resistive load I _N = 16 A, tested (1.5 mm ² /16 AWG)
Mating force of a plug-in connection	approx. 20 ... 70 N (depending on pole number)
Unmating force of a plug-in connection	when unlocked: approx. 20 ... 70 N (depending on pole number)
Retention force of a plug-in connection	when locked: > 80N
Note on protection class	IP40 when mated

Environmental Requirements	
Processing temperature	-5 ... +40 °C
Continuous operating temperature	-35 ... +85 °C
Note on continuous service temperature	PVC cable for temperatures ≤ 70 °C (including halogen-free) Insulating parts for temperatures ≤ 105 °C

Cables with different fire load are available in the eShop

Application note for the U.S. market (USR): Some versions may also be used for current interruption in accordance with the UL certificate in select applications with currents below 5 A and voltages up to 600 V. For further information, please contact your local sales office.

All WINSTA® components are 100% protected against mismatching in terms of:

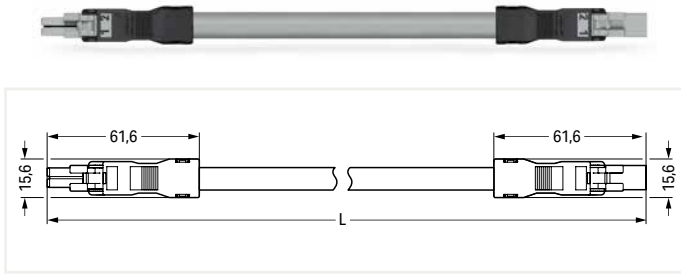
- plugging different number of poles
- plugging when turned by 180°
- plugging when laterally staggered
- plugging one pole

Additional information, see "Technical Section"

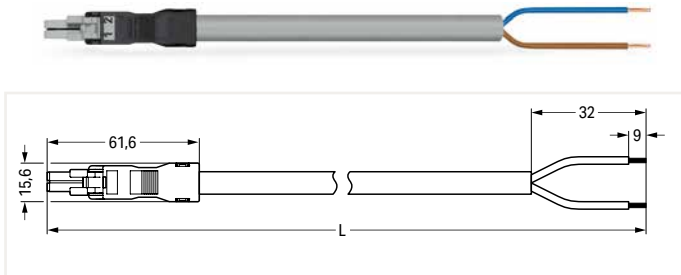
Approvals and corresponding ratings, visit www.wago.com

Cable Assembly ▶ WINSTA® MINI special ▶ Serie 891

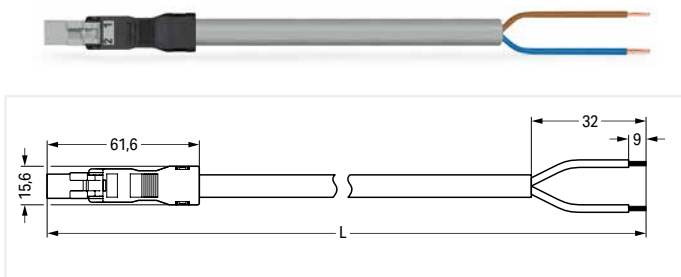
No. of poles: 2 ▶ Marking: 1 2 ▶ PVC ▶ Reaction to fire class per EN 50575: E_{ca} ▶ 1 mm² ▶ Cable diameter: 5.9 ... 7.5 mm ▶ Control line 2 x 1



Interconnecting cable ▶ Protection class: IP20; IP40 when mated ▶ Socket - Plug				
Total length	Connector color / Strain relief color			PU
	gray / black	light green / black	pink / black	
1 m	891-8992/005-103	891-8992/005-105	891-8992/005-107	1
2 m	891-8992/005-203	891-8992/005-205	891-8992/005-207	1
3 m	891-8992/005-303	891-8992/005-305	891-8992/005-307	1
4 m	891-8992/005-403	891-8992/005-405	891-8992/005-407	1
5 m	891-8992/005-503	891-8992/005-505	891-8992/005-507	1
6 m	891-8992/005-603	891-8992/005-605	891-8992/005-607	1
7 m	891-8992/005-703	891-8992/005-705	891-8992/005-707	1
8 m	891-8992/005-803	891-8992/005-805	891-8992/005-807	1



Connecting cable ▶ Protection class: IP40 ▶ Socket - Free end				
Total length	Connector color / Strain relief color			PU
	gray / black	light green / black	pink / black	
1 m	891-8992/105-103	891-8992/105-105	891-8992/105-107	1
2 m	891-8992/105-203	891-8992/105-205	891-8992/105-207	1
3 m	891-8992/105-303	891-8992/105-305	891-8992/105-307	1
4 m	891-8992/105-403	891-8992/105-405	891-8992/105-407	1
5 m	891-8992/105-503	891-8992/105-505	891-8992/105-507	1
6 m	891-8992/105-603	891-8992/105-605	891-8992/105-607	1
7 m	891-8992/105-703	891-8992/105-705	891-8992/105-707	1
8 m	891-8992/105-803	891-8992/105-805	891-8992/105-807	1



Connecting cable ▶ Protection class: IP20; IP40 when mated ▶ Plug - Free end				
Total length	Connector color / Strain relief color			PU
	gray / black	light green / black	pink / black	
1 m	891-8992/205-103	891-8992/205-105	891-8992/205-107	1
2 m	891-8992/205-203	891-8992/205-205	891-8992/205-207	1
3 m	891-8992/205-303	891-8992/205-305	891-8992/205-307	1
4 m	891-8992/205-403	891-8992/205-405	891-8992/205-407	1
5 m	891-8992/205-503	891-8992/205-505	891-8992/205-507	1
6 m	891-8992/205-603	891-8992/205-605	891-8992/205-607	1
7 m	891-8992/205-703	891-8992/205-705	891-8992/205-707	1
8 m	891-8992/205-803	891-8992/205-805	891-8992/205-807	1

2

Accessories; for all products on this page



Locking lever; for flying leads; manually operated		
Color	Item Number	PU (SPU)
● black	890-101	100 (50)
○ white	890-121	100 (50)

Locking lever; for flying leads; tool operated		
Color	Item Number	PU (SPU)
● black	890-111	100 (50)
○ white	890-131	100 (50)

Mounting adapter; for 2- to 5-pole for flying leads		
Color	Item Number	PU
● black	890-310	100
○ white	890-311	100

PU = Packaging Unit; SPU = Subpackaging Unit; Dimensions in mm

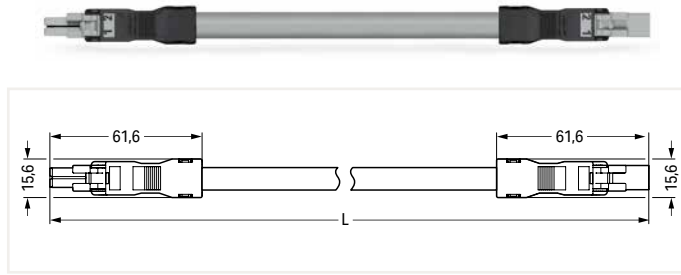
Other variants can be requested via the WAGO sales department or, if necessary, configured at <https://configurator.wago.com/>:

- Other pole markings

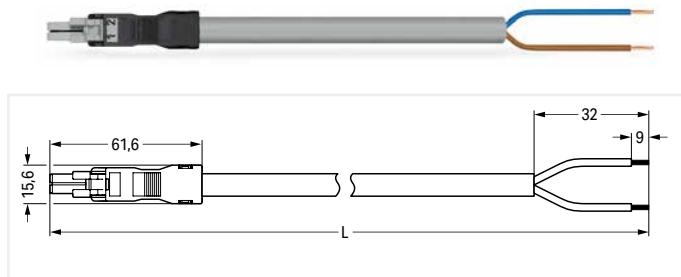
Cable Assembly ▶ WINSTA® MINI special ▶ Serie 891

No. of poles: 2 ▶ Marking: 1 2 ▶ PVC ▶ Reaction to fire class per EN 50575: E_{ca} ▶ 1.5 mm² ▶ Cable diameter: 6.8 ... 8.6 mm ▶ Control line 2 x 1.5

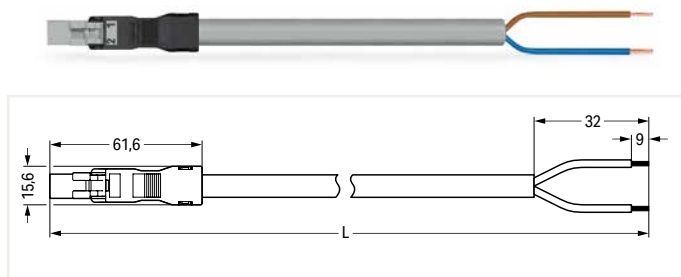
2



Interconnecting cable ▶ Protection class: IP20; IP40 when mated ▶ Socket - Plug				
Total length	Connector color / Strain relief color			PU
	gray / black	light green / black	pink / black	
1 m	891-8992/006-103	891-8992/006-105	891-8992/006-107	1
2 m	891-8992/006-203	891-8992/006-205	891-8992/006-207	1
3 m	891-8992/006-303	891-8992/006-305	891-8992/006-307	1
4 m	891-8992/006-403	891-8992/006-405	891-8992/006-407	1
5 m	891-8992/006-503	891-8992/006-505	891-8992/006-507	1
6 m	891-8992/006-603	891-8992/006-605	891-8992/006-607	1
7 m	891-8992/006-703	891-8992/006-705	891-8992/006-707	1
8 m	891-8992/006-803	891-8992/006-805	891-8992/006-807	1



Connecting cable ▶ Protection class: IP40 ▶ Socket - Free end				
Total length	Connector color / Strain relief color			PU
	gray / black	light green / black	pink / black	
1 m	891-8992/106-103	891-8992/106-105	891-8992/106-107	1
2 m	891-8992/106-203	891-8992/106-205	891-8992/106-207	1
3 m	891-8992/106-303	891-8992/106-305	891-8992/106-307	1
4 m	891-8992/106-403	891-8992/106-405	891-8992/106-407	1
5 m	891-8992/106-503	891-8992/106-505	891-8992/106-507	1
6 m	891-8992/106-603	891-8992/106-605	891-8992/106-607	1
7 m	891-8992/106-703	891-8992/106-705	891-8992/106-707	1
8 m	891-8992/106-803	891-8992/106-805	891-8992/106-807	1



Connecting cable ▶ Protection class: IP20; IP40 when mated ▶ Plug - Free end				
Total length	Connector color / Strain relief color			PU
	gray / black	light green / black	pink / black	
1 m	891-8992/206-103	891-8992/206-105	891-8992/206-107	1
2 m	891-8992/206-203	891-8992/206-205	891-8992/206-207	1
3 m	891-8992/206-303	891-8992/206-305	891-8992/206-307	1
4 m	891-8992/206-403	891-8992/206-405	891-8992/206-407	1
5 m	891-8992/206-503	891-8992/206-505	891-8992/206-507	1
6 m	891-8992/206-603	891-8992/206-605	891-8992/206-607	1
7 m	891-8992/206-703	891-8992/206-705	891-8992/206-707	1
8 m	891-8992/206-803	891-8992/206-805	891-8992/206-807	1

Accessories; for all products on this page



Locking lever; for flying leads; manually operated		
Color	Item Number	PU (SPU)
● black	890-101	100 (50)
○ white	890-121	100 (50)



Locking lever; for flying leads; tool operated		
Color	Item Number	PU (SPU)
● black	890-111	100 (50)
○ white	890-131	100 (50)



Mounting adapter; for 2- to 5-pole for flying leads		
Color	Item Number	PU
● black	890-310	100
○ white	890-311	100

PU = Packaging Unit; SPU = Subpackaging Unit; Dimensions in mm

Other variants can be requested via the WAGO sales department or, if necessary, configured at <https://configurator.wago.com/>:

- Other pole markings

Sold & Serviced By:



Toll Free Phone (877) SERV098
www.electromate.com
sales@electromate.com

Pluggable Connector ▶ WINSTA® MINI special ▶ Serie 890

No. of poles: 3



- Protected against mismatching and maintenance-free
- Push-in CAGE CLAMP® spring pressure connection technology allows solid conductors to be simply pushed into a unit
- Compact design with 4.4 mm pole spacing
- Components can be clearly printed on and color-coded to meet custom requirements
- When assembled, the installation connectors complies with IP40 and are suitable for easily accessible areas

Electrical Data			
Coding	B		
Ratings per	IEC/EN 60664-1		
Overvoltage category	III	III	II
Pollution degree	3	2	2
Rated voltage	250 V	-	-
Rated impulse voltage	4 kV	-	-
Rated current	16 A	-	-

Connection Data	
Connection technology	Push-in CAGE CLAMP®
Strip length	9 mm / 0.35 inch
Nominal cross section	1.5 mm ²
Solid conductor	0.25 ... 1.5 mm ² / 22 ... 16 AWG
Solid conductor, push-in termination	0.75 ... 1.5 mm ² / 20 ... 16 AWG
Stranded conductor	0.25 ... 1 mm ² / 22 ... 18 AWG
Fine-stranded conductor	0.25 ... 1.5 mm ² / 22 ... 16 AWG
Fine-stranded conductor with ferrule with plastic collar	0.25 ... 0.75 mm ² / 22 ... 20 AWG
Fine-stranded conductor with ferrule without plastic collar	0.25 ... 0.75 mm ² / 22 ... 20 AWG
Fine-stranded conductor with ferrule, push-in termination, from	0.75 mm ² / 20 AWG

Material Data	
Insulating material	Polyamide 66 (PA 66)
Clamping spring material	Chrome nickel spring steel (CrNi)
Contact material	Copper or copper alloy; surface-treated

Mechanical Data	
Number of mating cycles	200, without resistive load 100, with resistive load $I_N = 16$ A, tested (1.5 mm ² /16 AWG)
Mating force of a plug-in connection	Approx. 20 ... 70 N (depending on pole number)
Unmating force of a plug-in connection	When unlocked: approx. 20 ... 70 N (depending on pole number)
Retention force of a plug-in connection	When locked: > 80 N
Protection class	IP20

Environmental Requirements	
Processing temperature	-5 ... +40 °C
Continuous operating temperature	-35 ... +85 °C
Note on continuous service temperature	Insulating parts for temperatures ≤ 105 °C

All connectors for mounted installations (snap-in versions for lighting fixtures or devices, all types of PCB and distribution connectors) are factory-equipped with locking levers to ensure plugs and sockets are securely locked. Additional locking levers are only required for flying leads (plug/socket).

Application note for the U.S. market (USR): Some versions may also be used for current interruption in accordance with the UL certificate in select applications with currents below 5 A and voltages up to 600 V. For further information, please contact your local sales office.

All WINSTA® components are 100% protected against mismatching in terms of:

- plugging different number of poles
- plugging when turned by 180°
- plugging when laterally staggered
- plugging one pole

Tools Page 492

Additional information, see "Technical Section"

Approvals and corresponding ratings, visit www.wago.com

Pluggable Connector ▶ WINSTA® MINI special ▶ Serie 890

No. of poles: 3

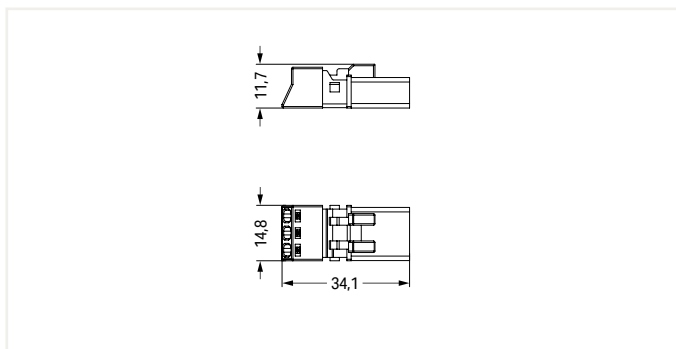
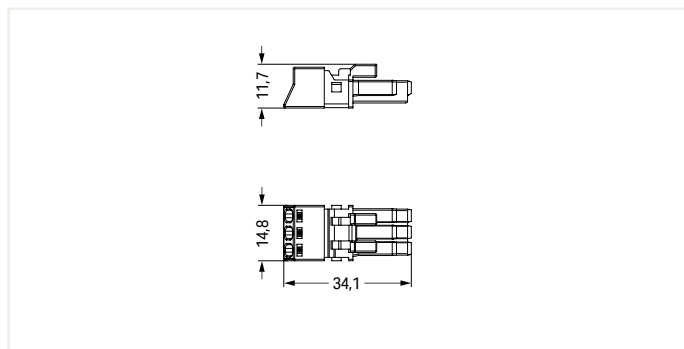
Female connector/socket ▶ Protection class: IP20; IP40 with strain relief housing

Male connector/plug ▶ Protection class: IP20; IP40 when mated with strain relief housing



2

Color	Coding	Marking	Item Number	PU	Color	Coding	Marking	Item Number	PU
gray	B	1 2 3	890-243	50	gray	B	1 2 3	890-253	50
gray	B	L ⊕ N	890-243/060-000	50	gray	B	L ⊕ N	890-253/060-000	50
gray	B	2 PE 1	890-243/062-000	50	gray	B	2 PE 1	890-253/062-000	50
light green	B	1 2 3	890-263	50	light green	B	1 2 3	890-273	50
light green	B	U+ X/Y U-	890-263/071-000	50	light green	B	U+ X/Y U-	890-273/071-000	50
light green	B	1 ⊕ 2	890-263/073-000	50	light green	B	1 ⊕ 2	890-273/073-000	50
pink	B	1 2 3	890-283	50	pink	B	1 2 3	890-293	50
pink	B	1 2 5	890-283/081-000	50	pink	B	1 2 5	890-293/081-000	50
pink	B	+ S -	890-283/082-000	50	pink	B	+ S -	890-293/082-000	50



Accessories; for all products on this page



Locking lever; for flying leads; manually operated		
Color	Item Number	PU (SPU)
● black	890-101	100 (50)
○ white	890-121	100 (50)



Locking lever; for flying leads; tool operated		
Color	Item Number	PU (SPU)
● black	890-111	100 (50)
○ white	890-131	100 (50)



Mounting adapter; for 2- to 5-pole for flying leads		
Color	Item Number	PU
● black	890-310	100
○ white	890-311	100



Operating tool; for WAGO connectors WINSTA® MINI; No. of poles: 3		
Color	Item Number	PU
● green	890-383	1



Strain relief housing; Connectable sheathed cable diameter: 4.5 ... 10 mm; Strip length: 40 mm		
Color	Item Number	PU
● black	890-503	50
○ white	890-513	50

PU = Packaging Unit; SPU = Subpackaging Unit; Dimensions in mm

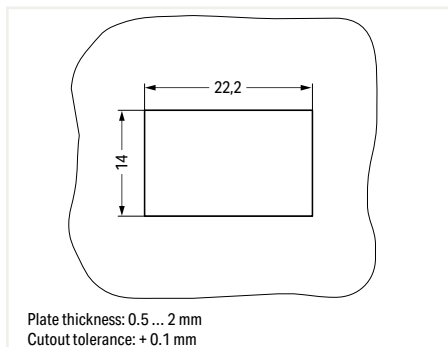
Other variants can be requested via the WAGO sales department or, if necessary, configured at <https://configurator.wago.com/>:

- Other pole markings

Snap-In Device Connector ▶ WINSTA® MINI special ▶ Serie 890

No. of poles: 3

2



- Protected against mismatching and maintenance-free
- Push-in CAGE CLAMP® spring pressure connection technology allows solid conductors to be simply pushed into a unit
- Compact design with 4.4 mm pole spacing
- Components can be clearly printed on and color-coded to meet custom requirements
- When assembled, the installation connectors complies with IP40 and are suitable for easily accessible areas

Electrical Data			
Coding	B		
Ratings per	IEC/EN 60664-1		
Overvoltage category	III	III	II
Pollution degree	3	2	2
Rated voltage	250 V	-	-
Rated impulse voltage	4 kV	-	-
Rated current	16 A	-	-

Connection Data	
Connection technology	Push-in CAGE CLAMP®
Strip length	9 mm / 0.35 inch
Nominal cross section	1.5 mm ²
Solid conductor	0.25 ... 1.5 mm ² / 22 ... 16 AWG
Solid conductor, push-in termination	0.75 ... 1.5 mm ² / 20 ... 16 AWG
Stranded conductor	0.25 ... 1 mm ² / 22 ... 18 AWG
Fine-stranded conductor	0.25 ... 1.5 mm ² / 22 ... 16 AWG
Fine-stranded conductor with ferrule with plastic collar	0.25 ... 0.75 mm ² / 22 ... 20 AWG
Fine-stranded conductor with ferrule without plastic collar	0.25 ... 0.75 mm ² / 22 ... 20 AWG
Fine-stranded conductor with ferrule, push-in termination, from	0.75 mm ² / 20 AWG

Material Data	
Insulating material	Polyamide 66 (PA 66)
Clamping spring material	Chrome nickel spring steel (CrNi)
Contact material	Copper or copper alloy; surface-treated

Mechanical Data	
Number of mating cycles	200, without resistive load 100, with resistive load $I_N = 16$ A, tested (1.5 mm ² /16 AWG)
Mating force of a plug-in connection	Approx. 20 ... 70 N (depending on pole number)
Unmating force of a plug-in connection	When unlocked: approx. 20 ... 70 N (depending on pole number)
Retention force of a plug-in connection	When locked: > 80 N

Environmental Requirements	
Processing temperature	-5 ... +40 °C
Continuous operating temperature	-35 ... +85 °C
Note on continuous service temperature	Insulating parts for temperatures ≤ 105 °C

All connectors for mounted installations (snap-in versions for lighting fixtures or devices, all types of PCB and distribution connectors) are factory-equipped with locking levers to ensure plugs and sockets are securely locked. Additional locking levers are only required for flying leads (plug/socket).

Application note for the U.S. market (USR): Some versions may also be used for current interruption in accordance with the UL certificate in select applications with currents below 5 A and voltages up to 600 V. For further information, please contact your local sales office.

All WINSTA® components are 100% protected against mismatching in terms of:

- plugging different number of poles
- plugging when turned by 180°
- plugging when laterally staggered
- plugging one pole

Tools Page 492

Additional information, see "Technical Section"

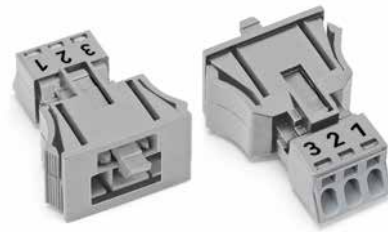
Approvals and corresponding ratings, visit www.wago.com

Snap-In Device Connector ▶ WINSTA® MINI special ▶ Serie 890

No. of poles: 3

Female connector/socket ▶ Protection class: IP40

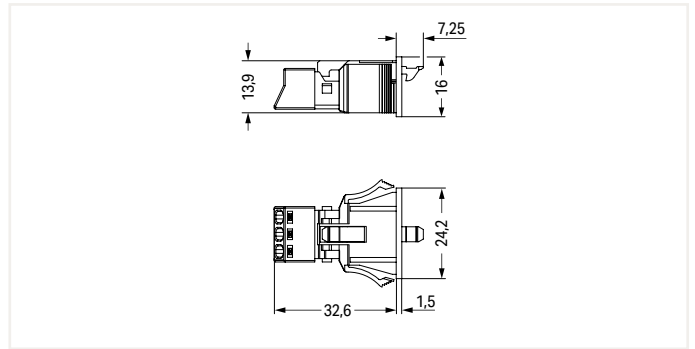
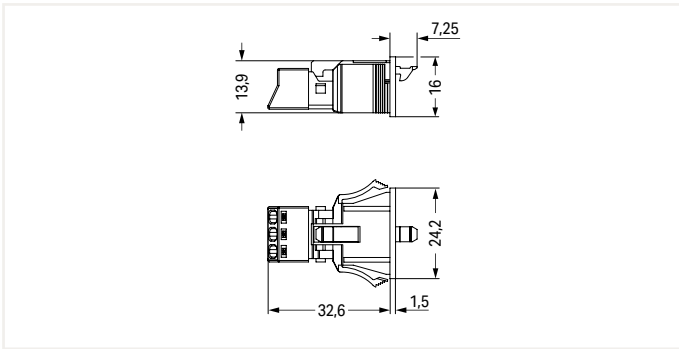
Male connector/plug ▶ Protection class: IP20; IP40 when mated



2

Color	Coding	Marking	Item Number	PU (SPU)
gray	B	1 2 3	890-743	50 (50)
gray	B	L ⊕ N	890-743/060-000	50 (50)
gray	B	2 PE 1	890-743/062-000	50 (50)
light green	B	1 2 3	890-763	50 (50)
light green	B	U+ X/Y U-	890-763/071-000	50 (50)
gray	B	1 ⊕ 2	890-763/073-000	50 (50)
pink	B	1 2 3	890-783	50 (50)
pink	B	1 2 5	890-783/081-000	50 (50)
gray	B	+ S -	890-783/082-000	50 (50)

Color	Coding	Marking	Item Number	PU (SPU)
gray	B	1 2 3	890-753	50 (50)
gray	B	L ⊕ N	890-753/060-000	50 (50)
gray	B	2 PE 1	890-753/062-000	50 (50)
light green	B	1 2 3	890-773	50 (50)
light green	B	U+ X/Y U-	890-773/071-000	50 (50)
light green	B	1 ⊕ 2	890-773/073-000	50 (50)
pink	B	1 2 3	890-793	50 (50)
pink	B	1 2 5	890-793/081-000	50 (50)
pink	B	+ S -	890-793/082-000	50 (50)



Accessories; for all products on this page



Operating tool; for WAGO connectors WINSTA® MINI; No. of poles: 3

Color	Item Number	PU
● green	890-383	1

Lockout cap; for cutout; No. of poles: 3

Color	Item Number	PU
● black	890-643	100
○ white	890-693	100

PU = Packaging Unit; SPU = Subpackaging Unit; Dimensions in mm

Other variants can be requested via the WAGO sales department or, if necessary, configured at <https://configurator.wago.com/>:

- Other pole markings

Pluggable PCB Connector ▶ WINSTA® MINI special ▶ Serie 890

No. of poles: 3



- Protected against mismatching and maintenance-free
- Push-in CAGE CLAMP® spring pressure connection technology allows solid conductors to be simply pushed into a unit
- Compact design with 4.4 mm pole spacing
- Components can be clearly printed on and color-coded to meet custom requirements

Electrical Data

Coding	B		
Ratings per	IEC/EN 60664-1		
Overvoltage category	III	III	II
Pollution degree	3	2	2
Rated voltage	250 V	-	-
Rated impulse voltage	4 kV	-	-
Rated current	16 A	-	-

Material Data

Insulating material	Polyamide 66 (PA 66)
Clamping spring material	Chrome nickel spring steel (CrNi)
Contact material	Copper or copper alloy; surface-treated

Mechanical Data

Solder pin arrangement	2 in-line solder pins/pole
Solder pin length	3.5 mm
Solder pin dimensions	1 x 0.8 mm
Drilled hole diameter (tolerance)	1.3 (+0.1 ... +0.1) mm
Number of mating cycles	200, without resistive load 100, with resistive load $I_N = 16$ A, tested (1.5 mm ² /16 AWG)
Mating force of a plug-in connection	Approx. 20 ... 70 N (depending on pole number)
Unmating force of a plug-in connection	When unlocked: approx. 20 ... 70 N (depending on pole number)
Retention force of a plug-in connection	When locked: > 80 N

Environmental Requirements

Processing temperature	-5 ... +40 °C
Continuous operating temperature	-35 ... +85 °C
Note on continuous service temperature	Insulating parts for temperatures ≤ 105 °C

All connectors for mounted installations (snap-in versions for lighting fixtures or devices, all types of PCB and distribution connectors) are factory-equipped with locking levers to ensure plugs and sockets are securely locked. Additional locking levers are only required for flying leads (plug/socket).

Application note for the U.S. market (USR): Some versions may also be used for current interruption in accordance with the UL certificate in select applications with currents below 5 A and voltages up to 600 V. For further information, please contact your local sales office.

All WINSTA® components are 100% protected against mismatching in terms of:

- a.) plugging different number of poles
- b.) plugging when turned by 180°
- c.) plugging when laterally staggered
- d.) plugging one pole

Additional information, see "Technical Section"

Approvals and corresponding ratings, visit www.wago.com

Pluggable PCB Connector ▶ WINSTA® MINI special ▶ Serie 890

No. of poles: 3

Straight ▶ Female connector/socket

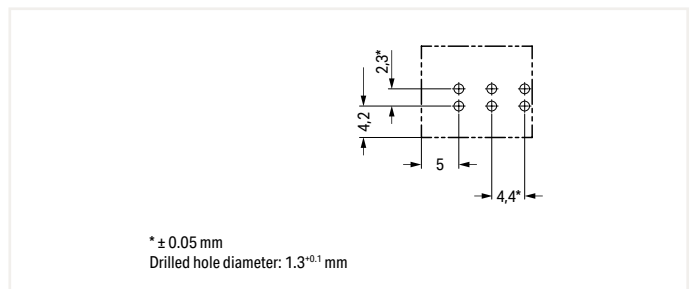
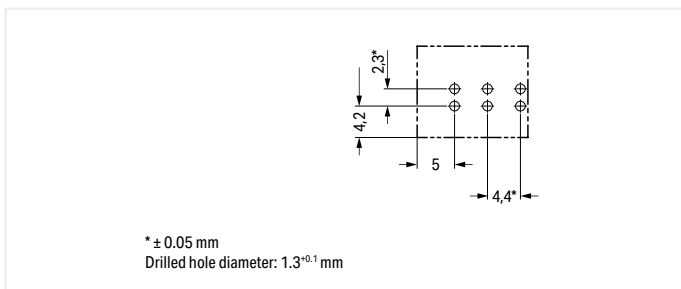
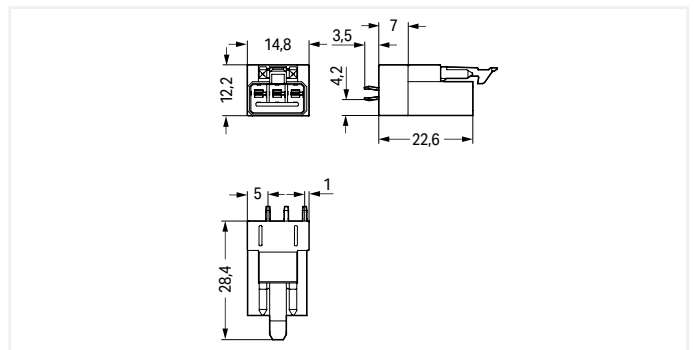
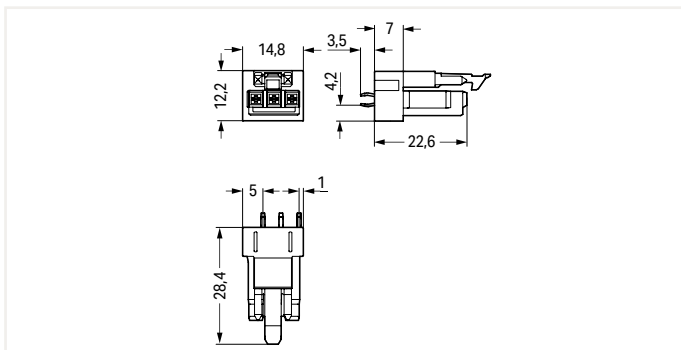
Straight ▶ Male connector/plug



2

Color	Coding	Marking	Item Number	PU
gray	B	1 2 3	890-843	100
light green	B	1 2 3	890-863	100
pink	B	1 2 3	890-883	100

Color	Coding	Marking	Item Number	PU
gray	B	1 2 3	890-853	100
light green	B	1 2 3	890-873	100
pink	B	1 2 3	890-893	100



PU = Packaging Unit; SPU = Subpackaging Unit; Dimensions in mm

Other variants can be requested via the WAGO sales department or, if necessary, configured at <https://configurator.wago.com/>:

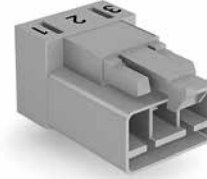
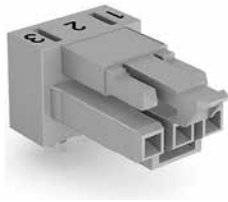
- Other pole markings

Pluggable PCB Connector ▶ WINSTA® MINI special ▶ Serie 890

No. of poles: 3

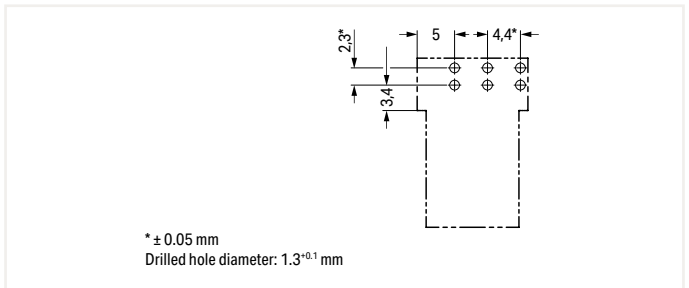
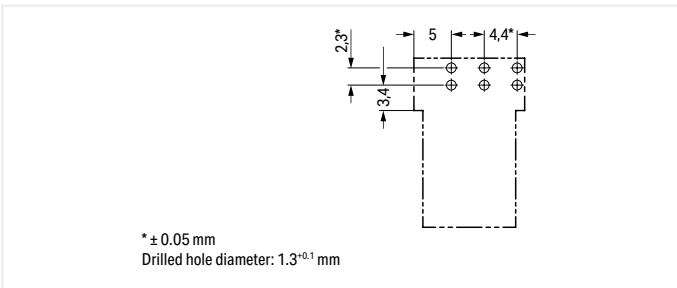
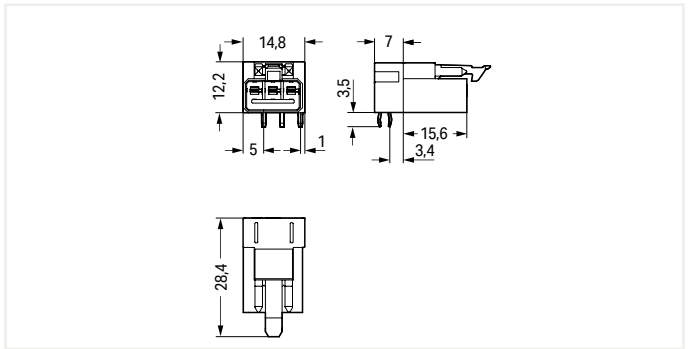
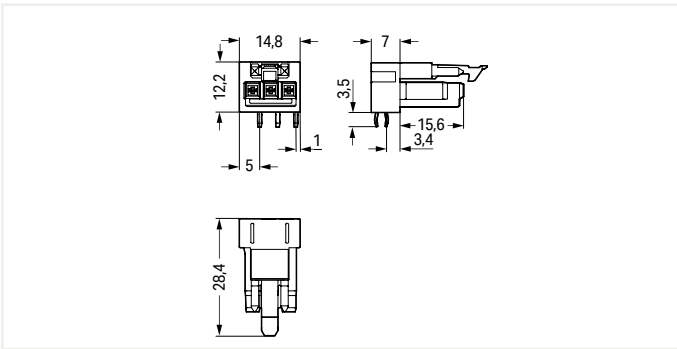
Angled ▶ Female connector/socket

Angled ▶ Male connector/plug



Color	Coding	Marking	Item Number	PU
gray	B	1 2 3	890-843/011-000	100
light green	B	1 2 3	890-863/011-000	100
pink	B	1 2 3	890-883/011-000	100

Color	Coding	Marking	Item Number	PU
gray	B	1 2 3	890-853/011-000	100
light green	B	1 2 3	890-873/011-000	100
pink	B	1 2 3	890-893/011-000	100



PU = Packaging Unit; SPU = Subpackaging Unit; Dimensions in mm

Other variants can be requested via the WAGO sales department or, if necessary, configured at <https://configurator.wago.com/>:

- Other pole markings

2

Distribution Connector ▶ WINSTA® MINI special ▶ Serie 890

No. of poles: 3 ▶ h-distribution connector, unidirectional ▶ Protection class: IP20; IP40 when mated

2



- Protected against mismatching and maintenance-free
- Compact design with 4.4 mm pole spacing
- Components can be clearly printed on and color-coded to meet custom requirements
- When assembled, the installation connectors complies with IP40 and are suitable for easily accessible areas

Electrical Data

Coding	B		
Ratings per	IEC/EN 60664-1		
Overvoltage category	III	III	II
Pollution degree	3	2	2
Rated voltage	250 V	-	-
Rated impulse voltage	4 kV	-	-
Rated current	16 A	-	-

Material Data

Insulating material	Polyamide 66 (PA 66)
Contact material	Copper or copper alloy; surface-treated

Mechanical Data

Number of mating cycles	200, without resistive load 100, with resistive load $I_N = 16$ A, tested (1.5 mm ² /16 AWG)
Mating force of a plug-in connection	approx. 20 ... 70 N (depending on pole number)
Unmating force of a plug-in connection	when unlocked: approx. 20 ... 70 N (depending on pole number)
Retention force of a plug-in connection	When locked: > 80 N
Protection class	IP20
Note on protection class	IP40 when mated

Environmental Requirements

Processing temperature	-5 ... +40 °C
Continuous operating temperature	-35 ... +85 °C
Note on continuous service temperature	Insulating parts for temperatures ≤ 105 °C

All connectors for mounted installations (snap-in versions for lighting fixtures or devices, all types of PCB and distribution connectors) are factory-equipped with locking levers to ensure plugs and sockets are securely locked. Additional locking levers are only required for flying leads (plug/socket).

Application note for the U.S. market (USR): Some versions may also be used for current interruption in accordance with the UL certificate in select applications with currents below 5 A and voltages up to 600 V. For further information, please contact your local sales office.

All WINSTA® components are 100% protected against mismatching in terms of:

- plugging different number of poles
- plugging when turned by 180°
- plugging when laterally staggered
- plugging one pole

Additional information, see "Technical Section"

Approvals and corresponding ratings, visit www.wago.com

Distribution Connector ▶ WINSTA® MINI special ▶ Serie 890

No. of poles: 3 ▶ h-distribution connector, unidirectional ▶ Protection class: IP20; IP40 when mated

Number of locking levers: 2

Number of locking levers: 3 ▶ for flying leads

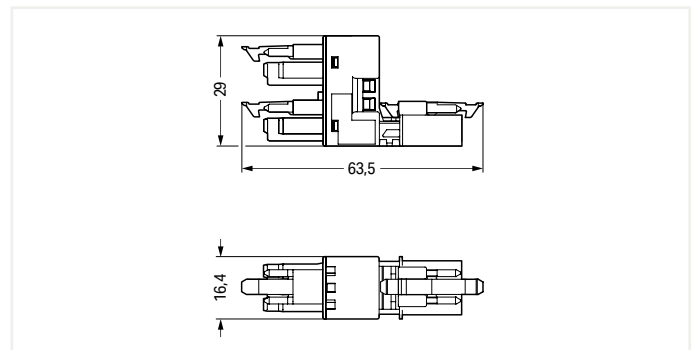
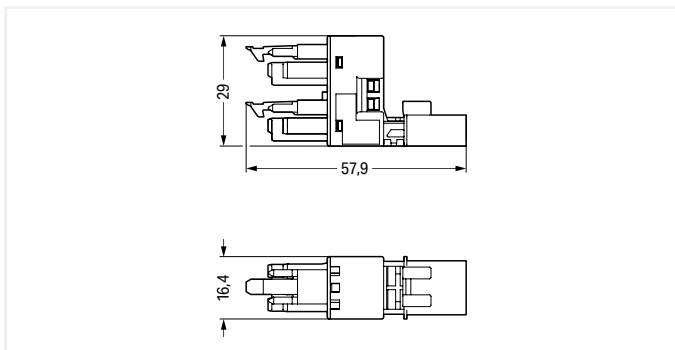


Fig. similar

2

Color	Coding	Marking	Item Number	PU
gray	B	1 2 3	890-1661	50
light green	B	1 2 3	890-1662	50
pink	B	1 2 3	890-1663	50

Color	Coding	Marking	Item Number	PU
gray	B	1 2 3	890-1761	50
light green	B	1 2 3	890-1762	50
pink	B	1 2 3	890-1763	50



Accessories; for all products on this page



Mounting plate; for distribution connector (except T-distribution connector); 3-pole

Color	Item Number	PU
● black	890-623	50
○ white	890-673	50

PU = Packaging Unit; SPU = Subpackaging Unit; Dimensions in mm

Other variants can be requested via the WAGO sales department or, if necessary, configured at <https://configurator.wago.com/>:

- Other pole markings

Cable Assembly ▶ WINSTA® MINI special ▶ Serie 891No. of poles: 3 ▶ Marking: 1 2 3 ▶ PVC ▶ Reaction to fire class per EN 50575: E_{ca}

- Protected against mismatching and maintenance-free
- Compact design with 4.4 mm pole spacing
- Components can be clearly printed on and color-coded to meet custom requirements
- When assembled, the installation connectors complies with IP40 and are suitable for easily accessible areas

Electrical Data						
Coding	B			B		
Ratings per	IEC/EN 60664-1			IEC/EN 60664-1		
Overvoltage category	III	III	II	III	III	II
Pollution degree	3	2	2	3	2	2
Rated voltage	250 V	-	-	250 V	-	-
Rated impulse voltage	4 kV	-	-	4 kV	-	-
Rated current	10 A	-	-	16 A	-	-

Material Data	
Insulating material	Polyamide 66 (PA 66)
Contact material	Copper or copper alloy; surface-treated
Reaction to fire class per EN 50575	E _{ca}

Mechanical Data	
Number of mating cycles	200, without resistive load 100, with resistive load I _N = 16 A, tested (1.5 mm ² /16 AWG)
Mating force of a plug-in connection	approx. 20 ... 70 N (depending on pole number)
Unmating force of a plug-in connection	when unlocked: approx. 20 ... 70 N (depending on pole number)
Retention force of a plug-in connection	when locked: > 80N
Note on protection class	IP40 when mated

Environmental Requirements	
Processing temperature	-5 ... +40 °C
Continuous operating temperature	-35 ... +85 °C
Note on continuous service temperature	PVC cable for temperatures ≤ 70 °C (including halogen-free) Insulating parts for temperatures ≤ 105 °C

Cables with different fire load are available in the eShop

Application note for the U.S. market (USR): Some versions may also be used for current interruption in accordance with the UL certificate in select applications with currents below 5 A and voltages up to 600 V. For further information, please contact your local sales office.

All WINSTA® components are 100% protected against mismatching in terms of:

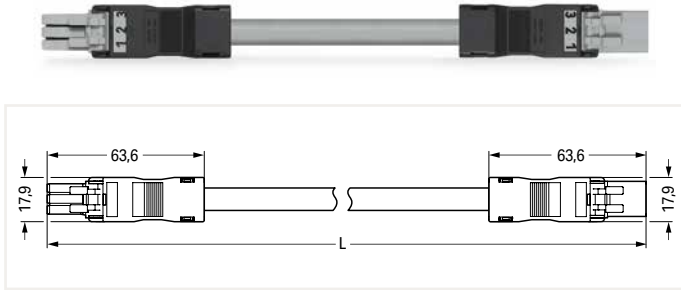
- plugging different number of poles
- plugging when turned by 180°
- plugging when laterally staggered
- plugging one pole

Additional information, see "Technical Section"

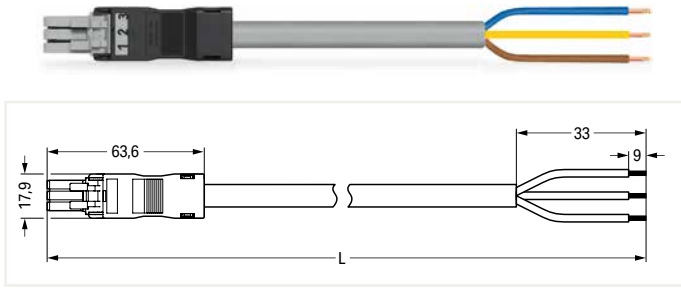
Approvals and corresponding ratings, visit www.wago.com

Cable Assembly ▶ WINSTA® MINI special ▶ Serie 891

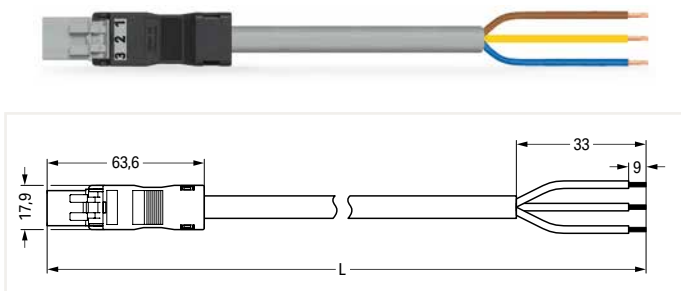
No. of poles: 3 ▶ Marking: 1 2 3 ▶ PVC ▶ Reaction to fire class per EN 50575: E_{ca} ▶ 1 mm² ▶ Cable diameter: 6.3 ... 8 mm ▶ Control line 3 x 1



Total length	Connector color / Strain relief color			PU
	gray / black	light green / black	pink / black	
1 m	891-8993/005-103	891-8993/005-105	891-8993/005-107	1
2 m	891-8993/005-203	891-8993/005-205	891-8993/005-207	1
3 m	891-8993/005-303	891-8993/005-305	891-8993/005-307	1
4 m	891-8993/005-403	891-8993/005-405	891-8993/005-407	1
5 m	891-8993/005-503	891-8993/005-505	891-8993/005-507	1
6 m	891-8993/005-603	891-8993/005-605	891-8993/005-607	1
7 m	891-8993/005-703	891-8993/005-705	891-8993/005-707	1
8 m	891-8993/005-803	891-8993/005-805	891-8993/005-807	1



Total length	Connector color / Strain relief color			PU
	gray / black	light green / black	pink / black	
1 m	891-8993/105-103	891-8993/105-105	891-8993/105-107	1
2 m	891-8993/105-203	891-8993/105-205	891-8993/105-207	1
3 m	891-8993/105-303	891-8993/105-305	891-8993/105-307	1
4 m	891-8993/105-403	891-8993/105-405	891-8993/105-407	1
5 m	891-8993/105-503	891-8993/105-505	891-8993/105-507	1
6 m	891-8993/105-603	891-8993/105-605	891-8993/105-607	1
7 m	891-8993/105-703	891-8993/105-705	891-8993/105-707	1
8 m	891-8993/105-803	891-8993/105-805	891-8993/105-807	1



Total length	Connector color / Strain relief color			PU
	gray / black	light green / black	pink / black	
1 m	891-8993/205-103	891-8993/205-105	891-8993/205-107	1
2 m	891-8993/205-203	891-8993/205-205	891-8993/205-207	1
3 m	891-8993/205-303	891-8993/205-305	891-8993/205-307	1
4 m	891-8993/205-403	891-8993/205-405	891-8993/205-407	1
5 m	891-8993/205-503	891-8993/205-505	891-8993/205-507	1
6 m	891-8993/205-603	891-8993/205-605	891-8993/205-607	1
7 m	891-8993/205-703	891-8993/205-705	891-8993/205-707	1
8 m	891-8993/205-803	891-8993/205-805	891-8993/205-807	1

Accessories; for all products on this page



Locking lever; for flying leads; manually operated		
Color	Item Number	PU (SPU)
● black	890-101	100 (50)
○ white	890-121	100 (50)



Locking lever; for flying leads; tool operated		
Color	Item Number	PU (SPU)
● black	890-111	100 (50)
○ white	890-131	100 (50)



Mounting adapter; for 2- to 5-pole for flying leads		
Color	Item Number	PU
● black	890-310	100
○ white	890-311	100

PU = Packaging Unit; SPU = Subpackaging Unit; Dimensions in mm

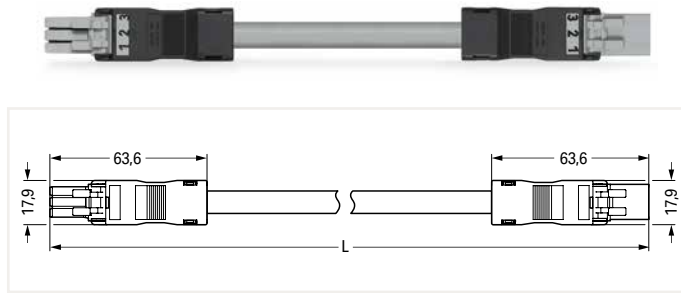
Other variants can be requested via the WAGO sales department or, if necessary, configured at <https://configurator.wago.com/>:

- Other pole markings

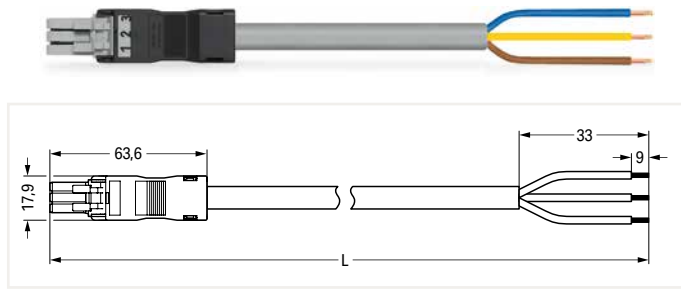
Cable Assembly ▶ WINSTA® MINI special ▶ Serie 891

No. of poles: 3 ▶ Marking: 1 2 3 ▶ PVC ▶ Reaction to fire class per EN 50575: E_{ca} ▶ 1.5 mm² ▶ Cable diameter: 7.4 ... 9.4 mm ▶ Control line 3 x 1.5

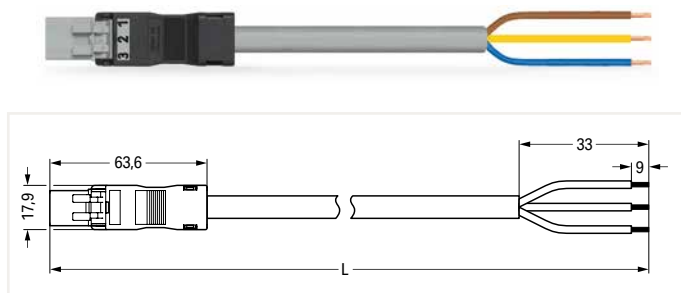
2



Interconnecting cable ▶ Protection class: IP20; IP40 when mated ▶ Socket - Plug				
Total length	Connector color / Strain relief color			PU
	gray / black	light green / black	pink / black	
1 m	891-8993/006-103	891-8993/006-105	891-8993/006-107	1
2 m	891-8993/006-203	891-8993/006-205	891-8993/006-207	1
3 m	891-8993/006-303	891-8993/006-305	891-8993/006-307	1
4 m	891-8993/006-403	891-8993/006-405	891-8993/006-407	1
5 m	891-8993/006-503	891-8993/006-505	891-8993/006-507	1
6 m	891-8993/006-603	891-8993/006-605	891-8993/006-607	1
7 m	891-8993/006-703	891-8993/006-705	891-8993/006-707	1
8 m	891-8993/006-803	891-8993/006-805	891-8993/006-807	1



Connecting cable ▶ Protection class: IP40 ▶ Socket - Free end				
Total length	Connector color / Strain relief color			PU
	gray / black	light green / black	pink / black	
1 m	891-8993/106-103	891-8993/106-105	891-8993/106-107	1
2 m	891-8993/106-203	891-8993/106-205	891-8993/106-207	1
3 m	891-8993/106-303	891-8993/106-305	891-8993/106-307	1
4 m	891-8993/106-403	891-8993/106-405	891-8993/106-407	1
5 m	891-8993/106-503	891-8993/106-505	891-8993/106-507	1
6 m	891-8993/106-603	891-8993/106-605	891-8993/106-607	1
7 m	891-8993/106-703	891-8993/106-705	891-8993/106-707	1
8 m	891-8993/106-803	891-8993/106-805	891-8993/106-807	1



Connecting cable ▶ Protection class: IP20; IP40 when mated ▶ Plug - Free end				
Total length	Connector color / Strain relief color			PU
	gray / black	light green / black	pink / black	
1 m	891-8993/206-103	891-8993/206-105	891-8993/206-107	1
2 m	891-8993/206-203	891-8993/206-205	891-8993/206-207	1
3 m	891-8993/206-303	891-8993/206-305	891-8993/206-307	1
4 m	891-8993/206-403	891-8993/206-405	891-8993/206-407	1
5 m	891-8993/206-503	891-8993/206-505	891-8993/206-507	1
6 m	891-8993/206-603	891-8993/206-605	891-8993/206-607	1
7 m	891-8993/206-703	891-8993/206-705	891-8993/206-707	1
8 m	891-8993/206-803	891-8993/206-805	891-8993/206-807	1

Accessories; for all products on this page



Locking lever; for flying leads; manually operated		
Color	Item Number	PU (SPU)
● black	890-101	100 (50)
○ white	890-121	100 (50)

Locking lever; for flying leads; tool operated		
Color	Item Number	PU (SPU)
● black	890-111	100 (50)
○ white	890-131	100 (50)

Mounting adapter; for 2- to 5-pole for flying leads		
Color	Item Number	PU
● black	890-310	100
○ white	890-311	100

PU = Packaging Unit; SPU = Subpackaging Unit; Dimensions in mm

Other variants can be requested via the WAGO sales department or, if necessary, configured at <https://configurator.wago.com/>:

- Other pole markings

Pluggable Connector ▶ WINSTA® MINI special ▶ Serie 890

No. of poles: 4



- Protected against mismatching and maintenance-free
- Push-in CAGE CLAMP® spring pressure connection technology allows solid conductors to be simply pushed into a unit
- Compact design with 4.4 mm pole spacing
- Components can be clearly printed on and color-coded to meet custom requirements
- When assembled, the installation connectors complies with IP40 and are suitable for easily accessible areas

Electrical Data			
Coding	B		
Ratings per	IEC/EN 60664-1		
Overvoltage category	III	III	II
Pollution degree	3	2	2
Rated voltage	400 V	-	-
Rated impulse voltage	6 kV	-	-
Rated current	16 A	-	-

Connection Data	
Connection technology	Push-in CAGE CLAMP®
Strip length	9 mm / 0.35 inch
Nominal cross section	1.5 mm ²
Solid conductor	0.25 ... 1.5 mm ² / 22 ... 16 AWG
Solid conductor, push-in termination	0.75 ... 1.5 mm ² / 20 ... 16 AWG
Stranded conductor	0.25 ... 1 mm ² / 22 ... 18 AWG
Fine-stranded conductor	0.25 ... 1.5 mm ² / 22 ... 16 AWG
Fine-stranded conductor with ferrule with plastic collar	0.25 ... 0.75 mm ² / 22 ... 20 AWG
Fine-stranded conductor with ferrule without plastic collar	0.25 ... 0.75 mm ² / 22 ... 20 AWG
Fine-stranded conductor with ferrule, push-in termination, from	0.75 mm ² / 20 AWG

Material Data	
Insulating material	Polyamide 66 (PA 66)
Clamping spring material	Chrome nickel spring steel (CrNi)
Contact material	Copper or copper alloy; surface-treated

Mechanical Data	
Number of mating cycles	200, without resistive load 100, with resistive load $I_N = 16$ A, tested (1.5 mm ² /16 AWG)
Mating force of a plug-in connection	Approx. 20 ... 70 N (depending on pole number)
Unmating force of a plug-in connection	When unlocked: approx. 20 ... 70 N (depending on pole number)
Retention force of a plug-in connection	When locked: > 80 N
Protection class	IP20

Environmental Requirements	
Processing temperature	-5 ... +40 °C
Continuous operating temperature	-35 ... +85 °C
Note on continuous service temperature	Insulating parts for temperatures ≤ 105 °C

All connectors for mounted installations (snap-in versions for lighting fixtures or devices, all types of PCB and distribution connectors) are factory-equipped with locking levers to ensure plugs and sockets are securely locked. Additional locking levers are only required for flying leads (plug/socket).

Application note for the U.S. market (USR): Some versions may also be used for current interruption in accordance with the UL certificate in select applications with currents below 5 A and voltages up to 600 V. For further information, please contact your local sales office.

All WINSTA® components are 100% protected against mismatching in terms of:

- plugging different number of poles
- plugging when turned by 180°
- plugging when laterally staggered
- plugging one pole

Tools Page 492

Additional information, see "Technical Section"

Approvals and corresponding ratings, visit www.wago.com

Pluggable Connector ▶ WINSTA® MINI special ▶ Serie 890

No. of poles: 4

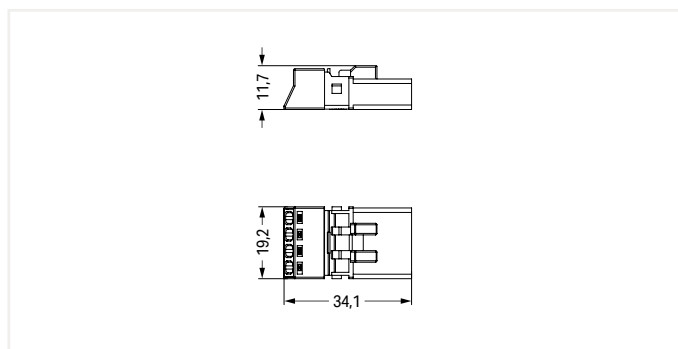
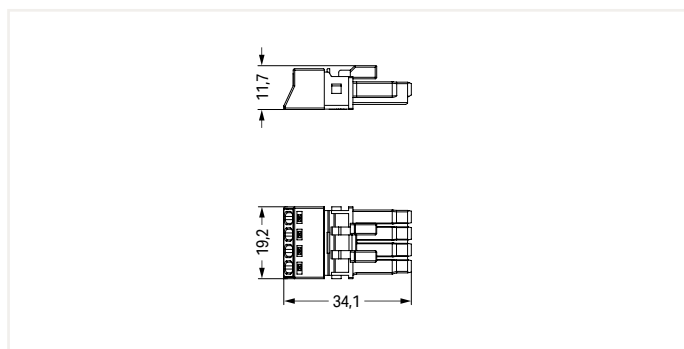
Female connector/socket ▶ Protection class: IP20; IP40 with strain relief housing

Male connector/plug ▶ Protection class: IP20; IP40 when mated with strain relief housing



2

Color	Coding	Marking	Item Number	PU	Color	Coding	Marking	Item Number	PU
gray	B	1 2 3 4	890-244	50	gray	B	1 2 3 4	890-254	50
gray	B	N ⊕ 2/L 1/L'	890-244/060-000	50	gray	B	N ⊕ 2/L 1/L'	890-254/060-000	50
gray	B	3 PE 2 1	890-244/062-000	50	gray	B	3 PE 2 1	890-254/062-000	50
gray	B	2L ⊕ 1L L	890-244/064-000	50	gray	B	2L ⊕ 1L L	890-254/064-000	50
light green	B	1 2 3 4	890-264	50	light green	B	1 2 3 4	890-274	50
light green	B	U- S U+ X/Y	890-264/071-000	50	light green	B	U- S U+ X/Y	890-274/071-000	50
light green	B	U- U+ DI AI	890-264/072-000	50	light green	B	U- U+ DI AI	890-274/072-000	50
light green	B	1 ⊕ 2 3	890-264/073-000	50	light green	B	1 ⊕ 2 3	890-274/073-000	50
pink	B	1 2 3 4	890-284	50	pink	B	1 2 3 4	890-294	50
pink	B	1 2 5 3	890-284/081-000	50	pink	B	1 2 5 3	890-294/081-000	50



Accessories; for all products on this page



Locking lever; for flying leads; manually operated

Color	Item Number	PU (SPU)
● black	890-101	100 (50)
○ white	890-121	100 (50)



Locking lever; for flying leads; tool operated

Color	Item Number	PU (SPU)
● black	890-111	100 (50)
○ white	890-131	100 (50)



Mounting adapter; for 2- to 5-pole for flying leads

Color	Item Number	PU
● black	890-310	100
○ white	890-311	100



Operating tool; for WAGO connectors WINSTA® MINI; No. of poles: 4

Color	Item Number	PU
● green	890-384	1



Strain relief housing; Connectable sheathed cable diameter: 6.5 ... 10.5 mm; Strip length: 45 mm

Color	Item Number	PU
● black	890-504	50
○ white	890-514	50

PU = Packaging Unit; SPU = Subpackaging Unit; Dimensions in mm

Other variants can be requested via the WAGO sales department or, if necessary, configured at <https://configurator.wago.com/>:

- Other pole markings

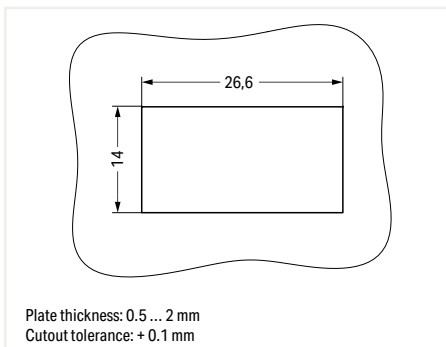
Snap-In Device Connector ▶ WINSTA® MINI special ▶ Serie 890

No. of poles: 4

2



- Protected against mismatching and maintenance-free
- Push-in CAGE CLAMP® spring pressure connection technology allows solid conductors to be simply pushed into a unit
- Compact design with 4.4 mm pole spacing
- Components can be clearly printed on and color-coded to meet custom requirements
- When assembled, the installation connectors complies with IP40 and are suitable for easily accessible areas



Electrical Data			
Coding	B		
Ratings per	IEC/EN 60664-1		
Overvoltage category	III	III	II
Pollution degree	3	2	2
Rated voltage	400 V	-	-
Rated impulse voltage	6 kV	-	-
Rated current	16 A	-	-

Connection Data	
Connection technology	Push-in CAGE CLAMP®
Strip length	9 mm / 0.35 inch
Nominal cross section	1.5 mm ²
Solid conductor	0.25 ... 1.5 mm ² / 22 ... 16 AWG
Solid conductor, push-in termination	0.75 ... 1.5 mm ² / 20 ... 16 AWG
Stranded conductor	0.25 ... 1 mm ² / 22 ... 18 AWG
Fine-stranded conductor	0.25 ... 1.5 mm ² / 22 ... 16 AWG
Fine-stranded conductor with ferrule with plastic collar	0.25 ... 0.75 mm ² / 22 ... 20 AWG
Fine-stranded conductor with ferrule without plastic collar	0.25 ... 0.75 mm ² / 22 ... 20 AWG
Fine-stranded conductor with ferrule, push-in termination, from	0.75 mm ² / 20 AWG

Material Data	
Insulating material	Polyamide 66 (PA 66)
Clamping spring material	Chrome nickel spring steel (CrNi)
Contact material	Copper or copper alloy; surface-treated

Mechanical Data	
Number of mating cycles	200, without resistive load 100, with resistive load $I_N = 16 A$, tested (1.5 mm ² /16 AWG)
Mating force of a plug-in connection	Approx. 20 ... 70 N (depending on pole number)
Unmating force of a plug-in connection	When unlocked: approx. 20 ... 70 N (depending on pole number)
Retention force of a plug-in connection	When locked: > 80 N

Environmental Requirements	
Processing temperature	-5 ... +40 °C
Continuous operating temperature	-35 ... +85 °C
Note on continuous service temperature	Insulating parts for temperatures ≤ 105 °C

All connectors for mounted installations (snap-in versions for lighting fixtures or devices, all types of PCB and distribution connectors) are factory-equipped with locking levers to ensure plugs and sockets are securely locked. Additional locking levers are only required for flying leads (plug/socket).

Application note for the U.S. market (USR): Some versions may also be used for current interruption in accordance with the UL certificate in select applications with currents below 5 A and voltages up to 600 V. For further information, please contact your local sales office.

All WINSTA® components are 100% protected against mismatching in terms of:

- plugging different number of poles
- plugging when turned by 180°
- plugging when laterally staggered
- plugging one pole

Tools Page 492

Additional information, see "Technical Section"

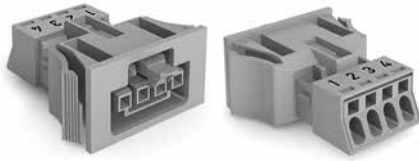
Approvals and corresponding ratings, visit www.wago.com

Snap-In Device Connector ▶ WINSTA® MINI special ▶ Serie 890

No. of poles: 4

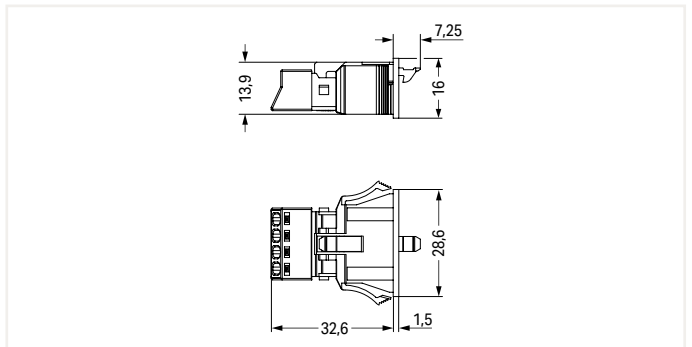
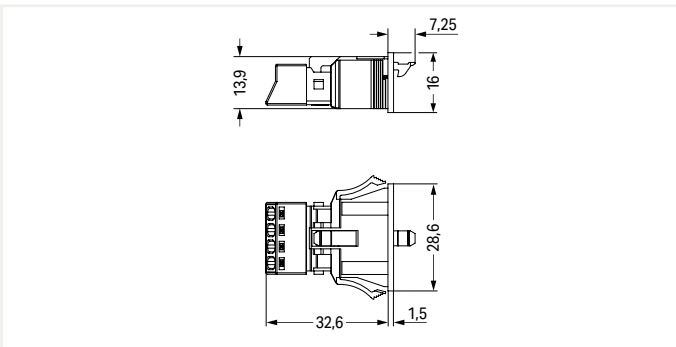
Female connector/socket ▶ Protection class: IP40

Male connector/plug ▶ Protection class: IP20; IP40 when mated



Color	Coding	Marking	Item Number	PU (SPU)
gray	B	1 2 3 4	890-744	50 (50)
gray	B	N ⊕ 2/L 1/L'	890-744/060-000	50 (50)
gray	B	3 PE 2 1	890-744/062-000	50 (50)
gray	B	2L ⊕ 1L L	890-744/064-000	50 (50)
light green	B	1 2 3 4	890-764	50 (50)
light green	B	U-S U+ X/Y	890-764/071-000	50 (50)
light green	B	U- U+ DI AI	890-764/072-000	50 (50)
light green	B	1 ⊕ 2 3	890-764/073-000	50 (50)
pink	B	1 2 3 4	890-784	50 (50)
pink	B	1 2 5 3	890-784/081-000	50 (50)

Color	Coding	Marking	Item Number	PU (SPU)
gray	B	1 2 3 4	890-754	50 (50)
gray	B	N ⊕ 2/L 1/L'	890-754/060-000	50 (50)
gray	B	3 PE 2 1	890-754/062-000	50 (50)
gray	B	2L ⊕ 1L L	890-754/064-000	50 (50)
light green	B	1 2 3 4	890-774	50 (50)
light green	B	U-S U+ X/Y	890-774/071-000	50 (50)
light green	B	U- U+ DI AI	890-774/072-000	50 (50)
light green	B	1 ⊕ 2 3	890-774/073-000	50 (50)
pink	B	1 2 3 4	890-794	50 (50)
pink	B	1 2 5 3	890-794/081-000	50 (50)



Accessories; for all products on this page



Operating tool; for WAGO connectors WINSTA® MINI;
No. of poles: 4

Color	Item Number	PU
● green	890-384	1

Lockout cap; for cutout; No. of poles: 4

Color	Item Number	PU
● black	890-644	100
○ white	890-694	100

PU = Packaging Unit; SPU = Subpackaging Unit; Dimensions in mm

Other variants can be requested via the WAGO sales department or, if necessary, configured at <https://configurator.wago.com/>:

- Other pole markings

Pluggable PCB Connector ▶ WINSTA® MINI special ▶ Serie 890

No. of poles: 4



- Protected against mismatching and maintenance-free
- Push-in CAGE CLAMP® spring pressure connection technology allows solid conductors to be simply pushed into a unit
- Compact design with 4.4 mm pole spacing
- Components can be clearly printed on and color-coded to meet custom requirements

Electrical Data			
Coding	B		
Ratings per	IEC/EN 60664-1		
Overvoltage category	III	III	II
Pollution degree	3	2	2
Rated voltage	250 V	-	-
Rated impulse voltage	4 kV	-	-
Rated current	16 A	-	-
Material Data			
Insulating material	Polyamide 66 (PA 66)		
Clamping spring material	Chrome nickel spring steel (CrNi)		
Contact material	Copper or copper alloy; surface-treated		
Mechanical Data			
Solder pin arrangement	2 in-line solder pins/pole		
Solder pin length	3.5 mm		
Solder pin dimensions	1 x 0.8 mm		
Drilled hole diameter (tolerance)	1.3 (+0.1 ... +0.1) mm		
Number of mating cycles	200, without resistive load 100, with resistive load $I_N = 16$ A, tested (1.5 mm ² /16 AWG)		
Mating force of a plug-in connection	Approx. 20 ... 70 N (depending on pole number)		
Unmating force of a plug-in connection	When unlocked: approx. 20 ... 70 N (depending on pole number)		
Retention force of a plug-in connection	When locked: > 80 N		
Environmental Requirements			
Processing temperature	-5 ... +40 °C		
Continuous operating temperature	-35 ... +85 °C		
Note on continuous service temperature	Insulating parts for temperatures ≤ 105 °C		

All connectors for mounted installations (snap-in versions for lighting fixtures or devices, all types of PCB and distribution connectors) are factory-equipped with locking levers to ensure plugs and sockets are securely locked. Additional locking levers are only required for flying leads (plug/socket).

Application note for the U.S. market (USR): Some versions may also be used for current interruption in accordance with the UL certificate in select applications with currents below 5 A and voltages up to 600 V. For further information, please contact your local sales office.

All WINSTA® components are 100% protected against mismatching in terms of:

- plugging different number of poles
- plugging when turned by 180°
- plugging when laterally staggered
- plugging one pole

Additional information, see "Technical Section"

Approvals and corresponding ratings, visit www.wago.com

Pluggable PCB Connector ▶ WINSTA® MINI special ▶ Serie 890

No. of poles: 4

Straight ▶ Female connector/socket

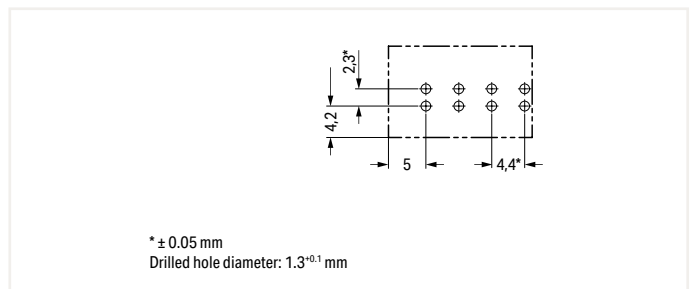
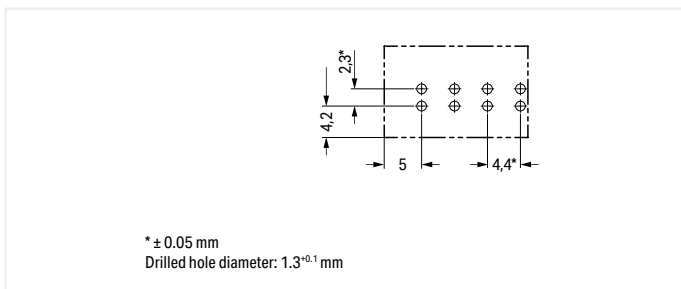
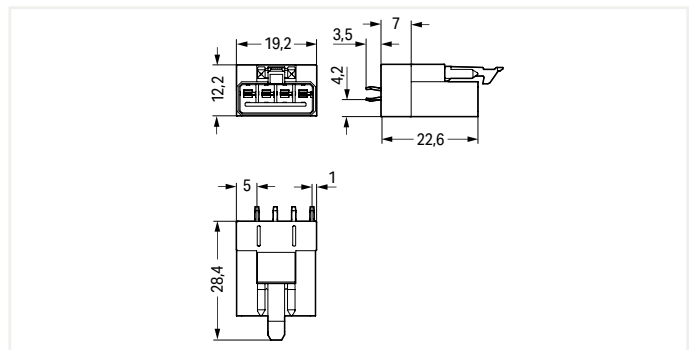
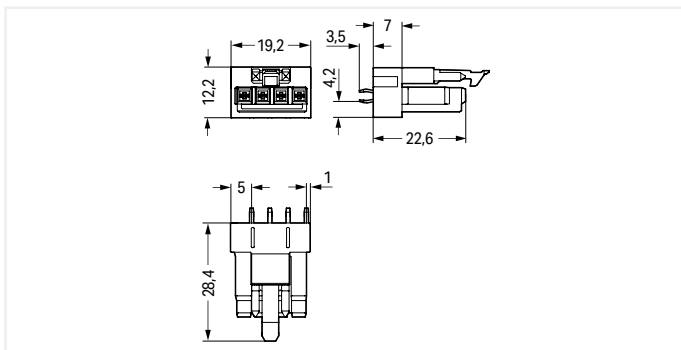
Straight ▶ Male connector/plug



2

Color	Coding	Marking	Item Number	PU
gray	B	1 2 3 4	890-844	50
light green	B	1 2 3 4	890-864	50
pink	B	1 2 3 4	890-884	50

Color	Coding	Marking	Item Number	PU
gray	B	1 2 3 4	890-854	50
light green	B	1 2 3 4	890-874	50
pink	B	1 2 3 4	890-894	50



PU = Packaging Unit; SPU = Subpackaging Unit; Dimensions in mm

Other variants can be requested via the WAGO sales department or, if necessary, configured at <https://configurator.wago.com/>:

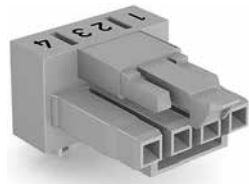
- Other pole markings

Pluggable PCB Connector ▶ WINSTA® MINI special ▶ Serie 890

No. of poles: 4

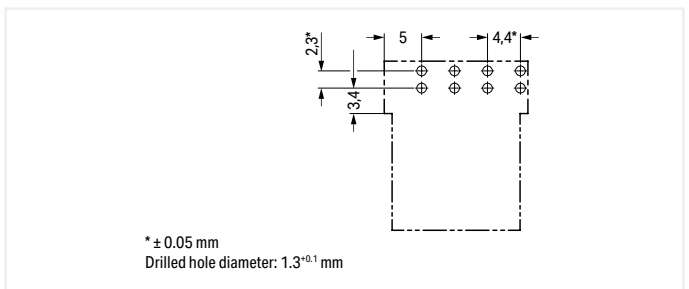
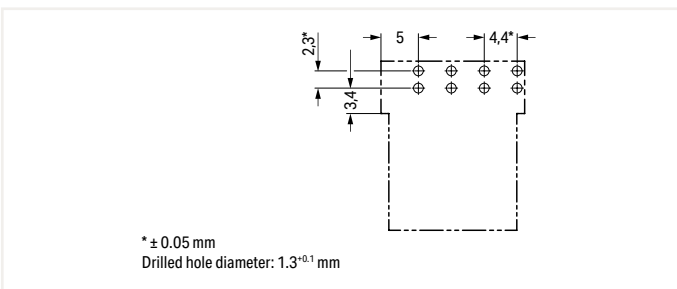
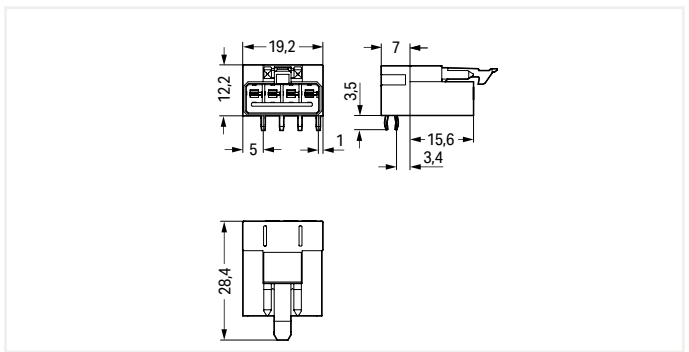
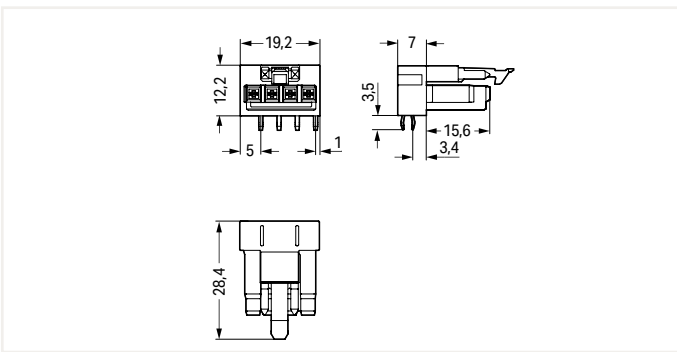
Angled ▶ Female connector/socket

Angled ▶ Male connector/plug



Color	Coding	Marking	Item Number	PU
gray	B	1 2 3 4	890-844/011-000	50
light green	B	1 2 3 4	890-864/011-000	50
pink	B	1 2 3 4	890-884/011-000	50

Color	Coding	Marking	Item Number	PU
gray	B	1 2 3 4	890-854/011-000	50
light green	B	1 2 3 4	890-874/011-000	50
pink	B	1 2 3 4	890-894/011-000	50



PU = Packaging Unit; SPU = Subpackaging Unit; Dimensions in mm

Other variants can be requested via the WAGO sales department or, if necessary, configured at <https://configurator.wago.com/>:

- Other pole markings

Sold & Serviced By:



Toll Free Phone (877) SERV098

www.electromate.com

sales@electromate.com

Distribution Connector ▶ WINSTA® MINI special ▶ Serie 890

No. of poles: 4 ▶ Protection class: IP20; IP40 when mated

2



- Protected against mismatching and maintenance-free
- Compact design with 4.4 mm pole spacing
- Components can be clearly printed on and color-coded to meet custom requirements
- When assembled, the installation connectors complies with IP40 and are suitable for easily accessible areas

Electrical Data

Coding	B		
Ratings per	IEC/EN 60664-1		
Overvoltage category	III	III	II
Pollution degree	3	2	2
Rated voltage	400 V	-	-
Rated impulse voltage	6 kV	-	-
Rated current	16 A	-	-

Material Data

Insulating material	Polyamide 66 (PA 66)
Contact material	Copper or copper alloy; surface-treated

Mechanical Data

Number of mating cycles	200, without resistive load 100, with resistive load $I_N = 16$ A, tested (1.5 mm ² /16 AWG)
Mating force of a plug-in connection	approx. 20 ... 70 N (depending on pole number)
Unmating force of a plug-in connection	when unlocked: approx. 20 ... 70 N (depending on pole number)
Retention force of a plug-in connection	When locked: > 80 N
Protection class	IP20
Note on protection class	IP40 when mated

Environmental Requirements

Processing temperature	-5 ... +40 °C
Continuous operating temperature	-35 ... +85 °C
Note on continuous service temperature	Insulating parts for temperatures ≤ 105 °C

All connectors for mounted installations (snap-in versions for lighting fixtures or devices, all types of PCB and distribution connectors) are factory-equipped with locking levers to ensure plugs and sockets are securely locked. Additional locking levers are only required for flying leads (plug/socket).

Application note for the U.S. market (USR): Some versions may also be used for current interruption in accordance with the UL certificate in select applications with currents below 5 A and voltages up to 600 V. For further information, please contact your local sales office.

All WINSTA® components are 100% protected against mismatching in terms of:

- plugging different number of poles
- plugging when turned by 180°
- plugging when laterally staggered
- plugging one pole

Additional information, see "Technical Section"

Approvals and corresponding ratings, visit www.wago.com

Distribution Connector ▶ WINSTA® MINI special ▶ Serie 890

No. of poles: 4 ▶ Protection class: IP20; IP40 when mated

T-distribution connector ▶ Number of locking levers: 2

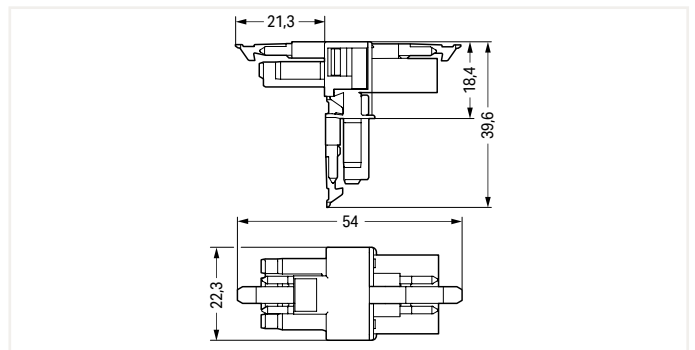
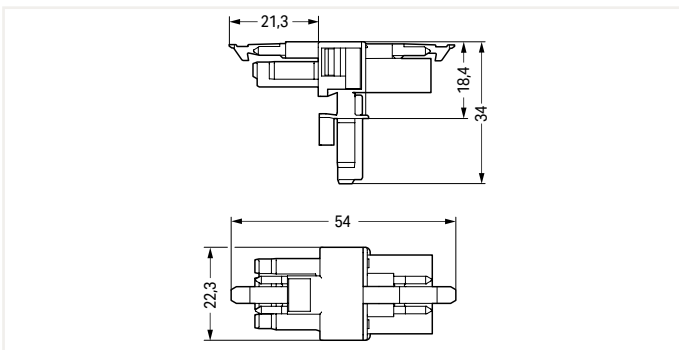
T-distribution connector ▶ Number of locking levers: 3 ▶ for flying leads



2

Color	Coding	Marking	Item Number	PU
gray	B	1 2 3 4	890-1631	25
light green	B	1 2 3 4	890-1632	25
pink	B	1 2 3 4	890-1633	25

Color	Coding	Marking	Item Number	PU
gray	B	1 2 3 4	890-1731	25
light green	B	1 2 3 4	890-1732	25
pink	B	1 2 3 4	890-1733	25



PU = Packaging Unit; SPU = Subpackaging Unit; Dimensions in mm

Other variants can be requested via the WAGO sales department or, if necessary, configured at <https://configurator.wago.com/>:

- Other pole markings

Distribution Connector ▶ WINSTA® MINI special ▶ Serie 890

No. of poles: 4 ▶ Protection class: IP20; IP40 when mated

h-distribution connector, unidirectional ▶ Number of locking levers: 2

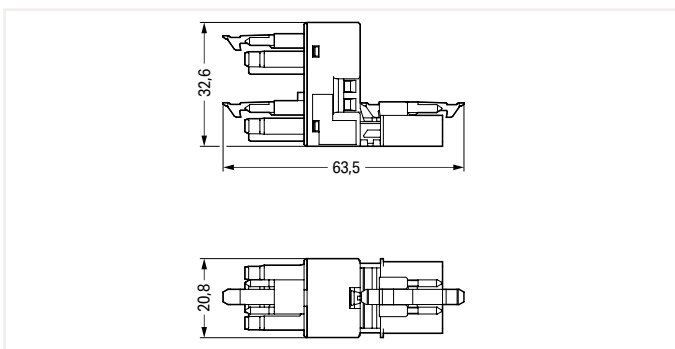
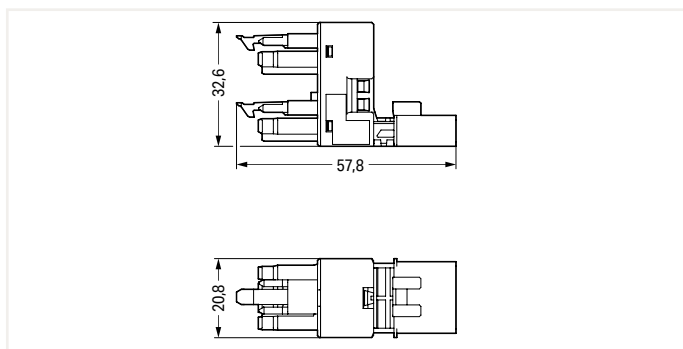
h-distribution connector, unidirectional ▶ Number of locking levers: 3 ▶ for flying leads

2



Color	Coding	Marking	Item Number	PU
● gray	B	1 2 3 4	890-1681	50
● light green	B	1 2 3 4	890-1682	50
● pink	B	1 2 3 4	890-1683	50

Color	Coding	Marking	Item Number	PU
● gray	B	1 2 3 4	890-1781	50
● light green	B	1 2 3 4	890-1782	50
● pink	B	1 2 3 4	890-1783	50



Accessories; for all products on this page



Mounting plate; for distribution connector (except T-distribution connector); 4-pole

Color	Item Number	PU (SPU)
● black	890-624	50 (50)
○ white	890-674	50 (50)

PU = Packaging Unit; SPU = Subpackaging Unit; Dimensions in mm

Other variants can be requested via the WAGO sales department or, if necessary, configured at <https://configurator.wago.com/>:

- Other pole markings

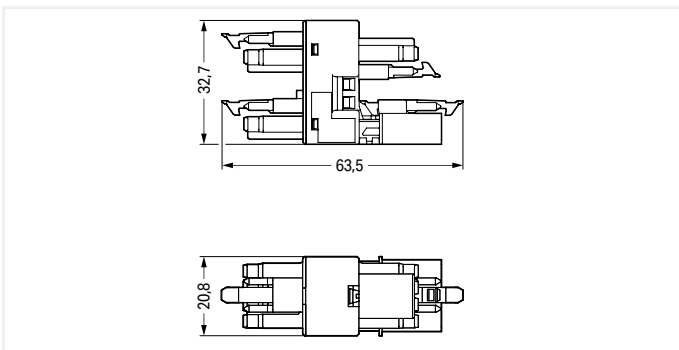
Distribution Connector ▶ WINSTA® MINI special ▶ Serie 890

No. of poles: 4 ▶ Protection class: IP20; IP40 when mated

Distribution connector, 3-way



Color	Coding	Marking	Item Number	PU
gray	B	1 2 3 4	890-1734	50
light green	B	1 2 3 4	890-1735	50
pink	B	1 2 3 4	890-1736	50



Accessories; for all products on this page



Mounting plate; for distribution connector (except T-distribution connector); 4-pole

Color	Item Number	PU (SPU)
● black	890-624	50 (50)
○ white	890-674	50 (50)

PU = Packaging Unit; SPU = Subpackaging Unit; Dimensions in mm

Other variants can be requested via the WAGO sales department or, if necessary, configured at <https://configurator.wago.com/>:

- Other pole markings

Cable Assembly ▶ WINSTA® MINI special ▶ Serie 891No. of poles: 4 ▶ Marking: 1 2 3 4 ▶ PVC ▶ Reaction to fire class per EN 50575: E_{ca}

2



- Protected against mismatching and maintenance-free
- Compact design with 4.4 mm pole spacing
- Components can be clearly printed on and color-coded to meet custom requirements
- When assembled, the installation connectors complies with IP40 and are suitable for easily accessible areas

Electrical Data

Coding	B 1 mm ²			B 1.5 mm ²		
Cross section of single conductor	IEC/EN 60664-1			IEC/EN 60664-1		
Ratings per	IEC/EN 60664-1			IEC/EN 60664-1		
Overvoltage category	III	III	II	III	III	II
Pollution degree	3	2	2	3	2	2
Rated voltage	400 V	-	-	400 V	-	-
Rated impulse voltage	6 kV	-	-	6 kV	-	-
Rated current	10 A	-	-	16 A	-	-

Material Data

Insulating material	Polyamide 66 (PA 66)
Contact material	Copper or copper alloy; surface-treated
Reaction to fire class per EN 50575	E _{ca}

Mechanical Data

Number of mating cycles	200, without resistive load 100, with resistive load I _N = 16 A, tested (1.5 mm ² /16 AWG)
Mating force of a plug-in connection	approx. 20 ... 70 N (depending on pole number)
Unmating force of a plug-in connection	when unlocked: approx. 20 ... 70 N (depending on pole number)
Retention force of a plug-in connection	when locked: > 80N
Note on protection class	IP40 when mated

Environmental Requirements

Processing temperature	-5 ... +40 °C
Continuous operating temperature	-35 ... +85 °C
Note on continuous service temperature	PVC cable for temperatures ≤ 70 °C (including halogen-free) Insulating parts for temperatures ≤ 105 °C

Cables with different fire load are available in the eShop

Application note for the U.S. market (USR): Some versions may also be used for current interruption in accordance with the UL certificate in select applications with currents below 5 A and voltages up to 600 V. For further information, please contact your local sales office.

All WINSTA® components are 100% protected against mismatching in terms of:

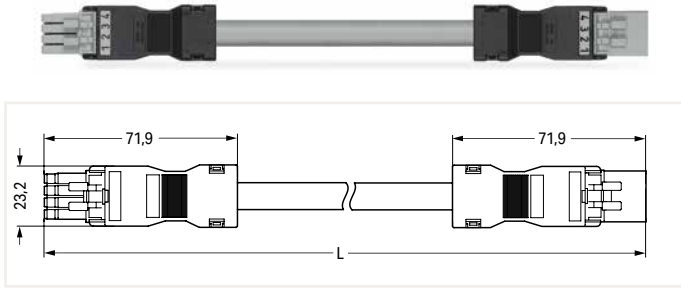
- plugging different number of poles
- plugging when turned by 180°
- plugging when laterally staggered
- plugging one pole

Additional information, see "Technical Section"

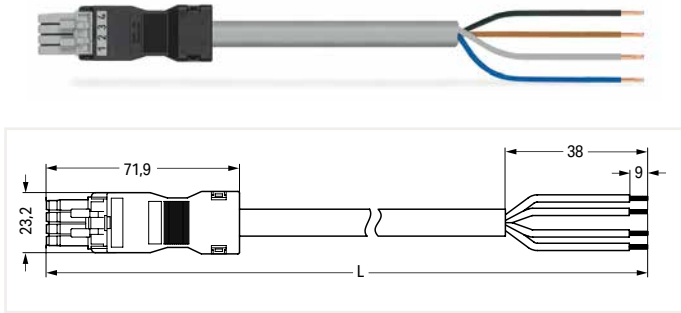
Approvals and corresponding ratings, visit www.wago.com

Cable Assembly ▶ WINSTA® MINI special ▶ Serie 891

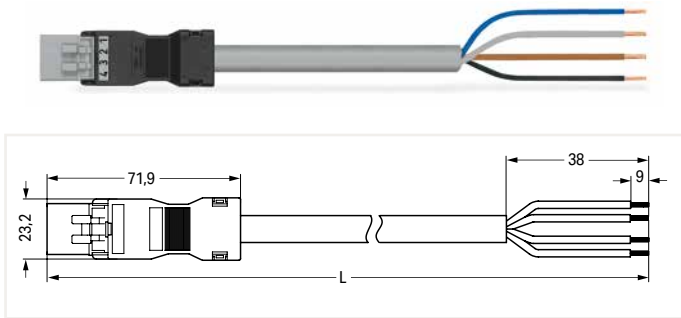
No. of poles: 4 ▶ Marking: 1 2 3 4 ▶ PVC ▶ Reaction to fire class per EN 50575: E_{ca} ▶ 1 mm² ▶ Cable diameter: 7.1 ... 9 mm ▶ Control line 4 x 1



Interconnecting cable ▶ Protection class: IP20; IP40 when mated ▶ Socket - Plug				
Total length	Connector color / Strain relief color			PU
	gray / black	light green / black	pink / black	
1 m	891-8994/005-103	891-8994/005-105	891-8994/005-107	1
2 m	891-8994/005-203	891-8994/005-205	891-8994/005-207	1
3 m	891-8994/005-303	891-8994/005-305	891-8994/005-307	1
4 m	891-8994/005-403	891-8994/005-405	891-8994/005-407	1
5 m	891-8994/005-503	891-8994/005-505	891-8994/005-507	1
6 m	891-8994/005-603	891-8994/005-605	891-8994/005-607	1
7 m	891-8994/005-703	891-8994/005-705	891-8994/005-707	1
8 m	891-8994/005-803	891-8994/005-805	891-8994/005-807	1



Connecting cable ▶ Protection class: IP40 ▶ Socket - Free end				
Total length	Connector color / Strain relief color			PU
	gray / black	light green / black	pink / black	
1 m	891-8994/105-103	891-8994/105-105	891-8994/105-107	1
2 m	891-8994/105-203	891-8994/105-205	891-8994/105-207	1
3 m	891-8994/105-303	891-8994/105-305	891-8994/105-307	1
4 m	891-8994/105-403	891-8994/105-405	891-8994/105-407	1
5 m	891-8994/105-503	891-8994/105-505	891-8994/105-507	1
6 m	891-8994/105-603	891-8994/105-605	891-8994/105-607	1
7 m	891-8994/105-703	891-8994/105-705	891-8994/105-707	1
8 m	891-8994/105-803	891-8994/105-805	891-8994/105-807	1



Connecting cable ▶ Protection class: IP20; IP40 when mated ▶ Plug - Free end				
Total length	Connector color / Strain relief color			PU
	gray / black	light green / black	pink / black	
1 m	891-8994/205-103	891-8994/205-105	891-8994/205-107	1
2 m	891-8994/205-203	891-8994/205-205	891-8994/205-207	1
3 m	891-8994/205-303	891-8994/205-305	891-8994/205-307	1
4 m	891-8994/205-403	891-8994/205-405	891-8994/205-407	1
5 m	891-8994/205-503	891-8994/205-505	891-8994/205-507	1
6 m	891-8994/205-603	891-8994/205-605	891-8994/205-607	1
7 m	891-8994/205-703	891-8994/205-705	891-8994/205-707	1
8 m	891-8994/205-803	891-8994/205-805	891-8994/205-807	1

2

Accessories; for all products on this page



Locking lever; for flying leads; manually operated		
Color	Item Number	PU (SPU)
● black	890-101	100 (50)
○ white	890-121	100 (50)

Locking lever; for flying leads; tool operated		
Color	Item Number	PU (SPU)
● black	890-111	100 (50)
○ white	890-131	100 (50)

Mounting adapter; for 2- to 5-pole for flying leads		
Color	Item Number	PU
● black	890-310	100
○ white	890-311	100

PU = Packaging Unit; SPU = Subpackaging Unit; Dimensions in mm

Other variants can be requested via the WAGO sales department or, if necessary, configured at <https://configurator.wago.com/>:

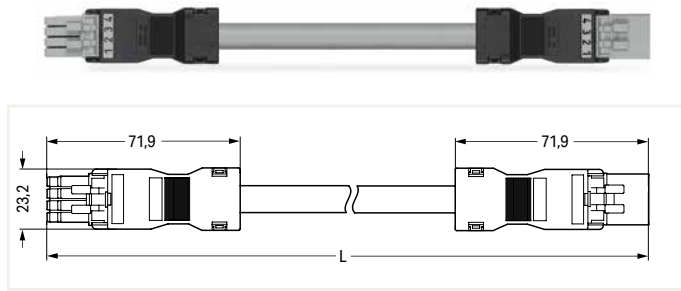
- Other pole markings

Cable Assembly ▶ WINSTA® MINI special ▶ Serie 891

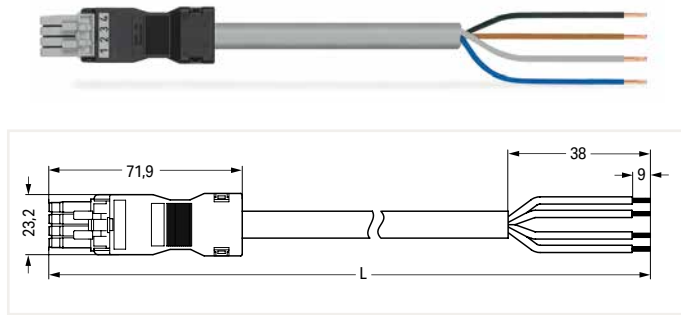
No. of poles: 4 ▶ Marking: 1 2 3 4 ▶ PVC ▶ Reaction to fire class per EN 50575: E_{ca} ▶ 1.5 mm² ▶

Cable diameter: 8.4 ... 10.5 mm ▶ Control line 4 x 1.5

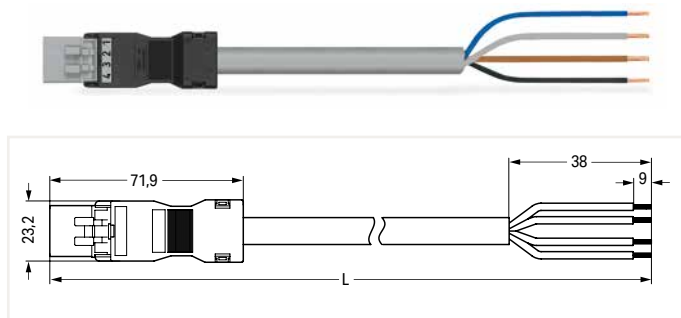
2



Interconnecting cable ▶ Protection class: IP20; IP40 when mated ▶ Socket - Plug				
Total length	Connector color / Strain relief color			PU
	gray / black	light green / black	pink / black	
1 m	891-8994/006-103	891-8994/006-105	891-8994/006-107	1
2 m	891-8994/006-203	891-8994/006-205	891-8994/006-207	1
3 m	891-8994/006-303	891-8994/006-305	891-8994/006-307	1
4 m	891-8994/006-403	891-8994/006-405	891-8994/006-407	1
5 m	891-8994/006-503	891-8994/006-505	891-8994/006-507	1
6 m	891-8994/006-603	891-8994/006-605	891-8994/006-607	1
7 m	891-8994/006-703	891-8994/006-705	891-8994/006-707	1
8 m	891-8994/006-803	891-8994/006-805	891-8994/006-807	1



Connecting cable ▶ Protection class: IP40 ▶ Socket - Free end				
Total length	Connector color / Strain relief color			PU
	gray / black	light green / black	pink / black	
1 m	891-8994/106-103	891-8994/106-105	891-8994/106-107	1
2 m	891-8994/106-203	891-8994/106-205	891-8994/106-207	1
3 m	891-8994/106-303	891-8994/106-305	891-8994/106-307	1
4 m	891-8994/106-403	891-8994/106-405	891-8994/106-407	1
5 m	891-8994/106-503	891-8994/106-505	891-8994/106-507	1
6 m	891-8994/106-603	891-8994/106-605	891-8994/106-607	1
7 m	891-8994/106-703	891-8994/106-705	891-8994/106-707	1
8 m	891-8994/106-803	891-8994/106-805	891-8994/106-807	1



Connecting cable ▶ Protection class: IP20; IP40 when mated ▶ Plug - Free end				
Total length	Connector color / Strain relief color			PU
	gray / black	light green / black	pink / black	
1 m	891-8994/206-103	891-8994/206-105	891-8994/206-107	1
2 m	891-8994/206-203	891-8994/206-205	891-8994/206-207	1
3 m	891-8994/206-303	891-8994/206-305	891-8994/206-307	1
4 m	891-8994/206-403	891-8994/206-405	891-8994/206-407	1
5 m	891-8994/206-503	891-8994/206-505	891-8994/206-507	1
6 m	891-8994/206-603	891-8994/206-605	891-8994/206-607	1
7 m	891-8994/206-703	891-8994/206-705	891-8994/206-707	1
8 m	891-8994/206-803	891-8994/206-805	891-8994/206-807	1

Accessories; for all products on this page



Locking lever; for flying leads; manually operated		
Color	Item Number	PU (SPU)
● black	890-101	100 (50)
○ white	890-121	100 (50)

Locking lever; for flying leads; tool operated		
Color	Item Number	PU (SPU)
● black	890-111	100 (50)
○ white	890-131	100 (50)

Mounting adapter; for 2- to 5-pole for flying leads		
Color	Item Number	PU
● black	890-310	100
○ white	890-311	100

PU = Packaging Unit; SPU = Subpackaging Unit; Dimensions in mm

Other variants can be requested via the WAGO sales department or, if necessary, configured at <https://configurator.wago.com/>:

- Other pole markings

Pluggable Connector ▶ WINSTA® MINI special ▶ Serie 890

No. of poles: 5



- Protected against mismatching and maintenance-free
- Push-in CAGE CLAMP® spring pressure connection technology allows solid conductors to be simply pushed into a unit
- Compact design with 4.4 mm pole spacing
- Components can be clearly printed on and color-coded to meet custom requirements
- When assembled, the installation connectors complies with IP40 and are suitable for easily accessible areas

Electrical Data			
Coding	B		
Ratings per	IEC/EN 60664-1		
Overvoltage category	III	III	II
Pollution degree	3	2	2
Rated voltage	400 V	-	-
Rated impulse voltage	6 kV	-	-
Rated current	16 A	-	-

Connection Data	
Connection technology	Push-in CAGE CLAMP®
Strip length	9 mm / 0.35 inch
Nominal cross section	1.5 mm ²
Solid conductor	0.25 ... 1.5 mm ² / 22 ... 16 AWG
Solid conductor, push-in termination	0.75 ... 1.5 mm ² / 20 ... 16 AWG
Stranded conductor	0.25 ... 1 mm ² / 22 ... 18 AWG
Fine-stranded conductor	0.25 ... 1.5 mm ² / 22 ... 16 AWG
Fine-stranded conductor with ferrule with plastic collar	0.25 ... 0.75 mm ² / 22 ... 20 AWG
Fine-stranded conductor with ferrule without plastic collar	0.25 ... 0.75 mm ² / 22 ... 20 AWG
Fine-stranded conductor with ferrule, push-in termination, from	0.75 mm ² / 20 AWG

Material Data	
Insulating material	Polyamide 66 (PA 66)
Clamping spring material	Chrome nickel spring steel (CrNi)
Contact material	Copper or copper alloy; surface-treated

Mechanical Data	
Number of mating cycles	200, without resistive load 100, with resistive load $I_N = 16$ A, tested (1.5 mm ² /16 AWG)
Mating force of a plug-in connection	Approx. 20 ... 70 N (depending on pole number)
Unmating force of a plug-in connection	When unlocked: approx. 20 ... 70 N (depending on pole number)
Retention force of a plug-in connection	When locked: > 80 N
Protection class	IP20

Environmental Requirements	
Processing temperature	-5 ... +40 °C
Continuous operating temperature	-35 ... +85 °C
Note on continuous service temperature	Insulating parts for temperatures ≤ 105 °C

All connectors for mounted installations (snap-in versions for lighting fixtures or devices, all types of PCB and distribution connectors) are factory-equipped with locking levers to ensure plugs and sockets are securely locked. Additional locking levers are only required for flying leads (plug/socket).

Application note for the U.S. market (USR): Some versions may also be used for current interruption in accordance with the UL certificate in select applications with currents below 5 A and voltages up to 600 V. For further information, please contact your local sales office.

All WINSTA® components are 100% protected against mismatching in terms of:

- plugging different number of poles
- plugging when turned by 180°
- plugging when laterally staggered
- plugging one pole

Tools Page 492

Additional information, see "Technical Section"

Approvals and corresponding ratings, visit www.wago.com

Pluggable Connector ▶ WINSTA® MINI special ▶ Serie 890

No. of poles: 5

Female connector/socket ▶ Protection class: IP20; IP40 with strain relief housing

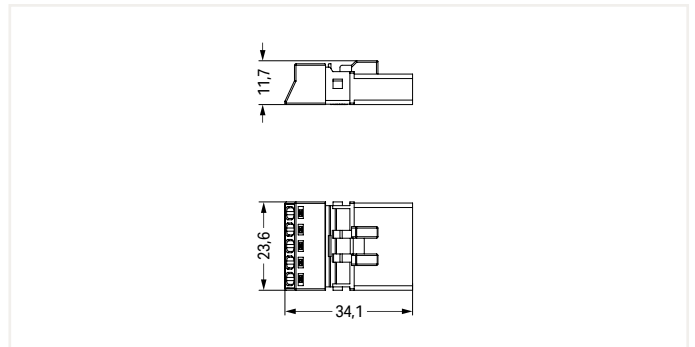
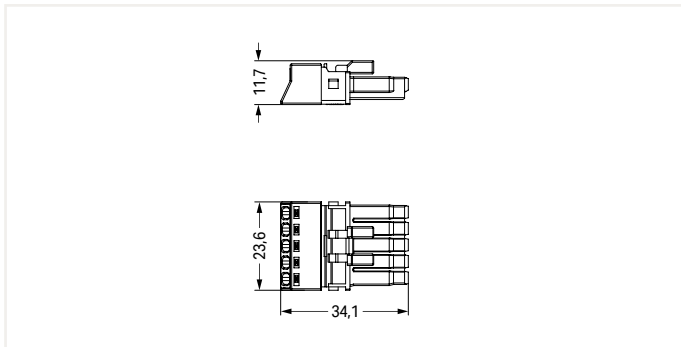
Male connector/plug ▶ Protection class: IP20; IP40 when mated with strain relief housing



2

Color	Coding	Marking	Item Number	PU
gray	B	1 2 3 4 5	890-245	50
gray	B	N ⊕ L1 L2 L3	890-245/060-000	50
gray	B	N PE 3 2 1	890-245/062-000	50
light green	B	1 2 3 4 5	890-265	50
light green	B	1 ⊕ 2 3 4	890-265/073-000	50
pink	B	1 2 3 4 5	890-285	50
pink	B	N ⊕ L I- I+	890-285/080-000	50
pink	B	N ⊕ L - +	890-285/082-000	50

Color	Coding	Marking	Item Number	PU
gray	B	1 2 3 4 5	890-255	50
gray	B	N ⊕ L1 L2 L3	890-255/060-000	50
gray	B	N PE 3 2 1	890-255/062-000	50
light green	B	1 2 3 4 5	890-275	50
light green	B	1 ⊕ 2 3 4	890-275/073-000	50
pink	B	1 2 3 4 5	890-295	50
pink	B	N ⊕ L I- I+	890-295/080-000	50
pink	B	N ⊕ L - +	890-295/082-000	50



Accessories; for all products on this page



Locking lever; for flying leads; manually operated		
Color	Item Number	PU (SPU)
● black	890-101	100 (50)
○ white	890-121	100 (50)



Locking lever; for flying leads; tool operated		
Color	Item Number	PU (SPU)
● black	890-111	100 (50)
○ white	890-131	100 (50)



Mounting adapter; for 2- to 5-pole for flying leads		
Color	Item Number	PU
● black	890-310	100
○ white	890-311	100



Operating tool; for WAGO connectors WINSTA® MINI; No. of poles: 5		
Color	Item Number	PU
● green	890-385	1



Strain relief housing; Connectable sheathed cable diameter: 6.5 ... 10.5 mm; Strip length: 45 mm		
Color	Item Number	PU
● black	890-505	50
○ white	890-515	50

PU = Packaging Unit; SPU = Subpackaging Unit; Dimensions in mm

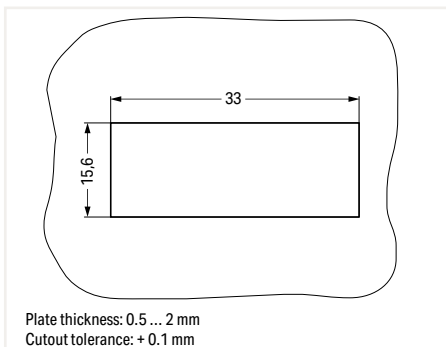
Other variants can be requested via the WAGO sales department or, if necessary, configured at <https://configurator.wago.com/>:

- Other pole markings

Snap-In Device Connector ▶ WINSTA® MINI special ▶ Serie 890

No. of poles: 5

2



- Protected against mismatching and maintenance-free
- Push-in CAGE CLAMP® spring pressure connection technology allows solid conductors to be simply pushed into a unit
- Compact design with 4.4 mm pole spacing
- Components can be clearly printed on and color-coded to meet custom requirements
- When assembled, the installation connectors complies with IP40 and are suitable for easily accessible areas

Electrical Data

Coding	B		
Ratings per	IEC/EN 60664-1		
Overvoltage category	III	III	II
Pollution degree	3	2	2
Rated voltage	400 V	-	-
Rated impulse voltage	6 kV	-	-
Rated current	16 A	-	-

Connection Data

Connection technology	Push-in CAGE CLAMP®
Strip length	9 mm / 0.35 inch
Nominal cross section	1.5 mm ²
Solid conductor	0.25 ... 1.5 mm ² / 22 ... 16 AWG
Solid conductor, push-in termination	0.75 ... 1.5 mm ² / 20 ... 16 AWG
Stranded conductor	0.25 ... 1 mm ² / 22 ... 18 AWG
Fine-stranded conductor	0.25 ... 1.5 mm ² / 22 ... 16 AWG
Fine-stranded conductor with ferrule with plastic collar	0.25 ... 0.75 mm ² / 22 ... 20 AWG
Fine-stranded conductor with ferrule without plastic collar	0.25 ... 0.75 mm ² / 22 ... 20 AWG
Fine-stranded conductor with ferrule, push-in termination, from	0.75 mm ² / 20 AWG

Material Data

Insulating material	Polyamide 66 (PA 66)
Clamping spring material	Chrome nickel spring steel (CrNi)
Contact material	Copper or copper alloy; surface-treated

Mechanical Data

Number of mating cycles	200, without resistive load 100, with resistive load $I_N = 16 A$, tested (1.5 mm ² /16 AWG)
Mating force of a plug-in connection	Approx. 20 ... 70 N (depending on pole number)
Unmating force of a plug-in connection	When unlocked: approx. 20 ... 70 N (depending on pole number)
Retention force of a plug-in connection	When locked: > 80 N

Environmental Requirements

Processing temperature	-5 ... +40 °C
Continuous operating temperature	-35 ... +85 °C
Note on continuous service temperature	Insulating parts for temperatures ≤ 105 °C

All connectors for mounted installations (snap-in versions for lighting fixtures or devices, all types of PCB and distribution connectors) are factory-equipped with locking levers to ensure plugs and sockets are securely locked. Additional locking levers are only required for flying leads (plug/socket).

Application note for the U.S. market (USR): Some versions may also be used for current interruption in accordance with the UL certificate in select applications with currents below 5 A and voltages up to 600 V. For further information, please contact your local sales office.

All WINSTA® components are 100% protected against mismatching in terms of:

- plugging different number of poles
- plugging when turned by 180°
- plugging when laterally staggered
- plugging one pole

Tools Page 492

Additional information, see "Technical Section"

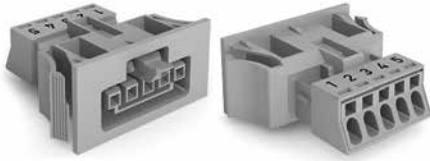
Approvals and corresponding ratings, visit www.wago.com

Snap-In Device Connector ▶ WINSTA® MINI special ▶ Serie 890

No. of poles: 5

Female connector/socket ▶ Protection class: IP40

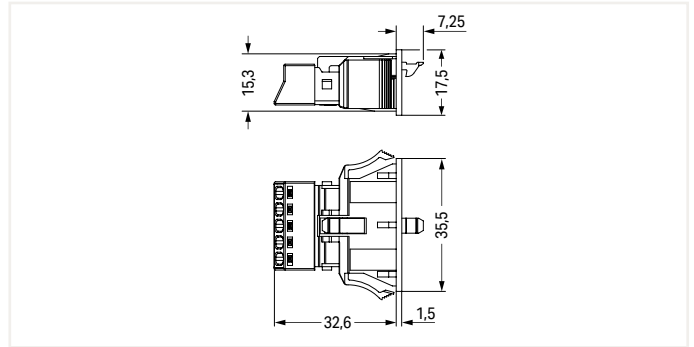
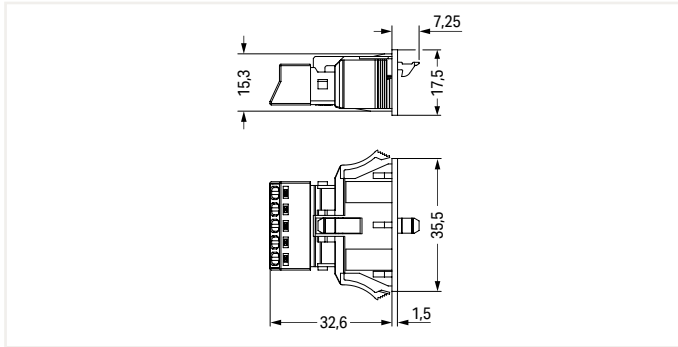
Male connector/plug ▶ Protection class: IP20; IP40 when mated



2

Color	Coding	Marking	Item Number	PU (SPU)
● gray	B	1 2 3 4 5	890-745	50 (50)
● gray	B	N ⊕ L1 L2 L3	890-745/060-000	50 (50)
● gray	B	N PE 3 2 1	890-745/062-000	50 (50)
● light green	B	1 2 3 4 5	890-765	50 (50)
● light green	B	1 ⊕ 2 3 4	890-765/073-000	50 (50)
● pink	B	1 2 3 4 5	890-785	50 (50)
● pink	B	N ⊕ L I- I+	890-785/080-000	50 (50)
● pink	B	N ⊕ L - +	890-785/082-000	50 (50)

Color	Coding	Marking	Item Number	PU (SPU)
● gray	B	1 2 3 4 5	890-755	50 (50)
● gray	B	N ⊕ L1 L2 L3	890-755/060-000	50 (50)
● gray	B	N PE 3 2 1	890-755/062-000	50 (50)
● light green	B	1 2 3 4 5	890-775	50 (50)
● light green	B	1 ⊕ 2 3 4	890-775/073-000	50 (50)
● pink	B	1 2 3 4 5	890-795	50 (50)
● pink	B	N ⊕ L I- I+	890-795/080-000	50 (50)
● pink	B	N ⊕ L - +	890-795/082-000	50 (50)



Accessories; for all products on this page



Lockout cap; for cutout; No. of poles: 3		
Color	Item Number	PU
● black	770-643	100
○ white	770-693	100

Operating tool; for WAGO connectors WINSTA® MINI; No. of poles: 5		
Color	Item Number	PU
● green	890-385	1

PU = Packaging Unit; SPU = Subpackaging Unit; Dimensions in mm

Other variants can be requested via the WAGO sales department or, if necessary, configured at <https://configurator.wago.com/>:

- Other pole markings

Pluggable PCB Connector ▶ WINSTA® MINI special ▶ Serie 890

No. of poles: 5



- Protected against mismatching and maintenance-free
- Push-in CAGE CLAMP® spring pressure connection technology allows solid conductors to be simply pushed into a unit
- Compact design with 4.4 mm pole spacing
- Components can be clearly printed on and color-coded to meet custom requirements

Electrical Data

Coding	B		
Ratings per	IEC/EN 60664-1		
Overvoltage category	III	III	II
Pollution degree	3	2	2
Rated voltage	250 V	-	-
Rated impulse voltage	4 kV	-	-
Rated current	16 A	-	-

Material Data

Insulating material	Polyamide 66 (PA 66)
Clamping spring material	Chrome nickel spring steel (CrNi)
Contact material	Copper or copper alloy; surface-treated

Mechanical Data

Solder pin arrangement	2 in-line solder pins/pole
Solder pin length	3.5 mm
Solder pin dimensions	1 x 0.8 mm
Drilled hole diameter (tolerance)	1.3 (+0.1 ... +0.1) mm
Number of mating cycles	200, without resistive load 100, with resistive load $I_N = 16$ A, tested (1.5 mm ² /16 AWG)
Mating force of a plug-in connection	Approx. 20 ... 70 N (depending on pole number)
Unmating force of a plug-in connection	When unlocked: approx. 20 ... 70 N (depending on pole number)
Retention force of a plug-in connection	When locked: > 80 N

Environmental Requirements

Processing temperature	-5 ... +40 °C
Continuous operating temperature	-35 ... +85 °C
Note on continuous service temperature	Insulating parts for temperatures ≤ 105 °C

All connectors for mounted installations (snap-in versions for lighting fixtures or devices, all types of PCB and distribution connectors) are factory-equipped with locking levers to ensure plugs and sockets are securely locked. Additional locking levers are only required for flying leads (plug/socket).

Application note for the U.S. market (USR): Some versions may also be used for current interruption in accordance with the UL certificate in select applications with currents below 5 A and voltages up to 600 V. For further information, please contact your local sales office.

All WINSTA® components are 100% protected against mismatching in terms of:

- plugging different number of poles
- plugging when turned by 180°
- plugging when laterally staggered
- plugging one pole

Additional information, see "Technical Section"

Approvals and corresponding ratings, visit www.wago.com

Pluggable PCB Connector ▶ WINSTA® MINI special ▶ Serie 890

No. of poles: 5

Straight ▶ Female connector/socket

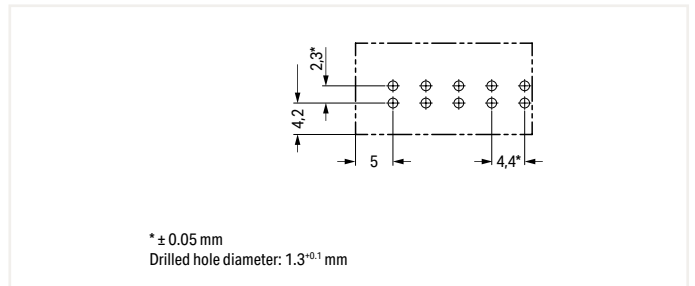
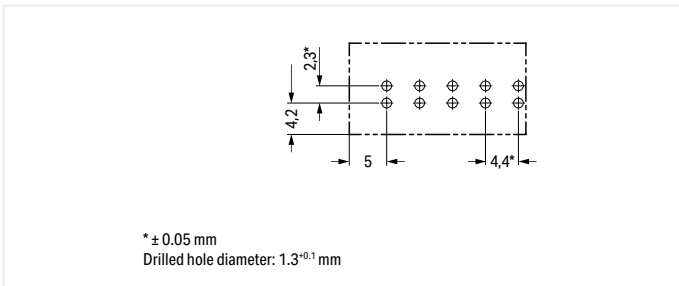
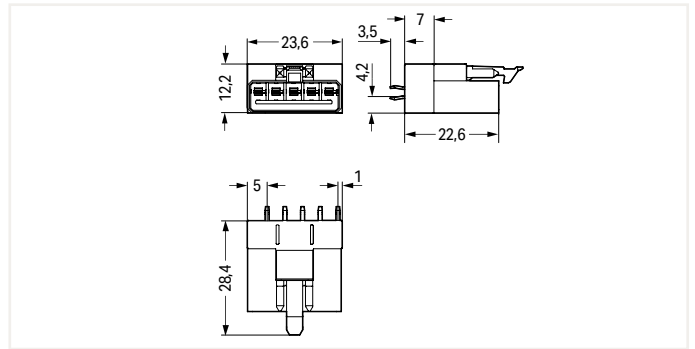
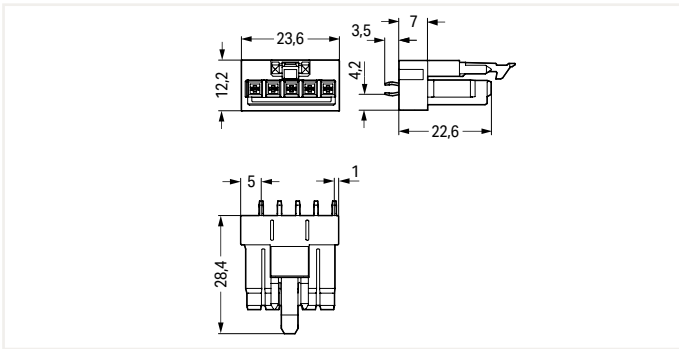
Straight ▶ Male connector/plug



2

Color	Coding	Marking	Item Number	PU
gray	B	1 2 3 4 5	890-845	50
light green	B	1 2 3 4 5	890-865	50
pink	B	1 2 3 4 5	890-885	50

Color	Coding	Marking	Item Number	PU
gray	B	1 2 3 4 5	890-855	50
light green	B	1 2 3 4 5	890-875	50
pink	B	1 2 3 4 5	890-895	50



Sold & Serviced By:



Toll Free Phone (877) SERV098

www.electromate.com

sales@electromate.com

PU = Packaging Unit; SPU = Subpackaging Unit; Dimensions in mm

Other variants can be requested via the WAGO sales department or, if necessary, configured at <https://configurator.wago.com/>:

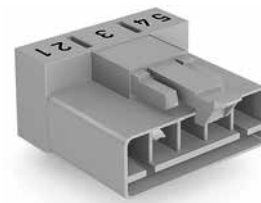
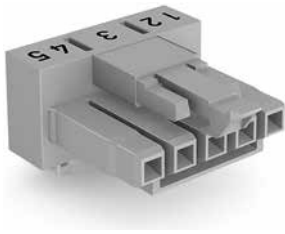
- Other pole markings

Pluggable PCB Connector ▶ WINSTA® MINI special ▶ Serie 890

No. of poles: 5

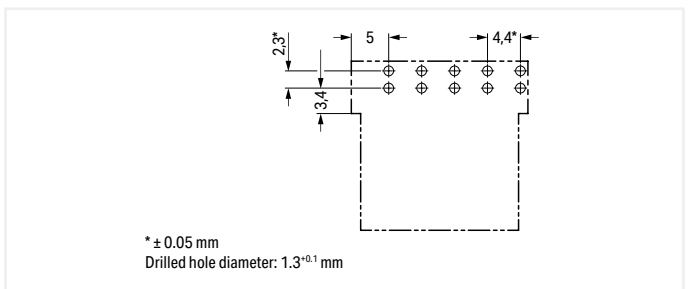
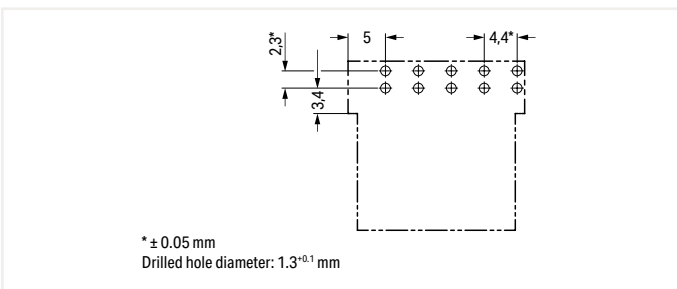
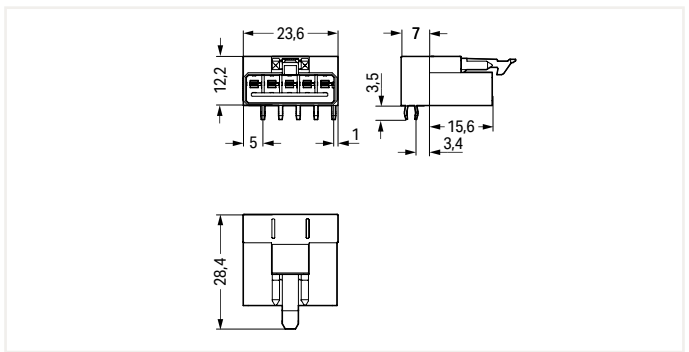
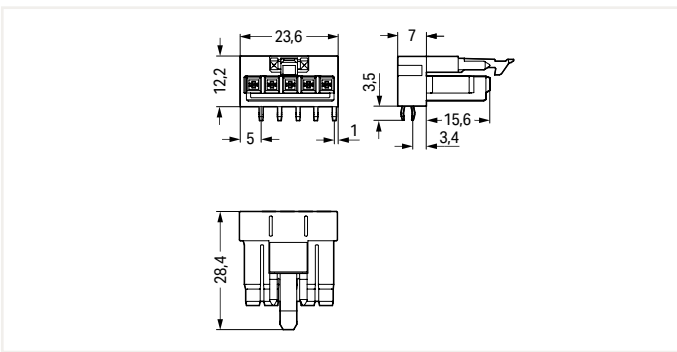
Angled ▶ Female connector/socket

Angled ▶ Male connector/plug



Color	Coding	Marking	Item Number	PU
gray	B	1 2 3 4 5	890-845/011-000	50
light green	B	1 2 3 4 5	890-865/011-000	50
pink	B	1 2 3 4 5	890-885/011-000	50

Color	Coding	Marking	Item Number	PU
gray	B	1 2 3 4 5	890-855/011-000	50
light green	B	1 2 3 4 5	890-875/011-000	50
pink	B	1 2 3 4 5	890-895/011-000	50



PU = Packaging Unit; SPU = Subpackaging Unit; Dimensions in mm

Other variants can be requested via the WAGO sales department or, if necessary, configured at <https://configurator.wago.com/>:

- Other pole markings

Cable Assembly ▶ WINSTA® MINI special ▶ Serie 891No. of poles: 5 ▶ Marking: 1 2 3 4 5 ▶ PVC ▶ Reaction to fire class per EN 50575: E_{ca}

2



- Protected against mismatching and maintenance-free
- Compact design with 4.4 mm pole spacing
- Components can be clearly printed on and color-coded to meet custom requirements
- When assembled, the installation connectors complies with IP40 and are suitable for easily accessible areas

Electrical Data

Coding	B 1 mm ²			B 1.5 mm ²		
Cross section of single conductor	IEC/EN 60664-1			IEC/EN 60664-1		
Ratings per	III	II	I	III	II	I
Overvoltage category	III	II	I	III	II	I
Pollution degree	3	2	2	3	2	2
Rated voltage	400 V	-	-	400 V	-	-
Rated impulse voltage	6 kV	-	-	6 kV	-	-
Rated current	10 A	-	-	16 A	-	-

Material Data

Insulating material	Polyamide 66 (PA 66)
Contact material	Copper or copper alloy; surface-treated
Reaction to fire class per EN 50575	E _{ca}

Mechanical Data

Number of mating cycles	200, without resistive load 100, with resistive load I _N = 16 A, tested (1.5 mm ² /16 AWG)
Mating force of a plug-in connection	approx. 20 ... 70 N (depending on pole number)
Unmating force of a plug-in connection	when unlocked: approx. 20 ... 70 N (depending on pole number)
Retention force of a plug-in connection	when locked: > 80N
Note on protection class	IP40 when mated

Environmental Requirements

Processing temperature	-5 ... +40 °C
Continuous operating temperature	-35 ... +85 °C
Note on continuous service temperature	PVC cable for temperatures ≤ 70 °C (including halogen-free) Insulating parts for temperatures ≤ 105 °C

Cables with different fire load are available in the eShop

Application note for the U.S. market (USR): Some versions may also be used for current interruption in accordance with the UL certificate in select applications with currents below 5 A and voltages up to 600 V. For further information, please contact your local sales office.

All WINSTA® components are 100% protected against mismatching in terms of:

- plugging different number of poles
- plugging when turned by 180°
- plugging when laterally staggered
- plugging one pole

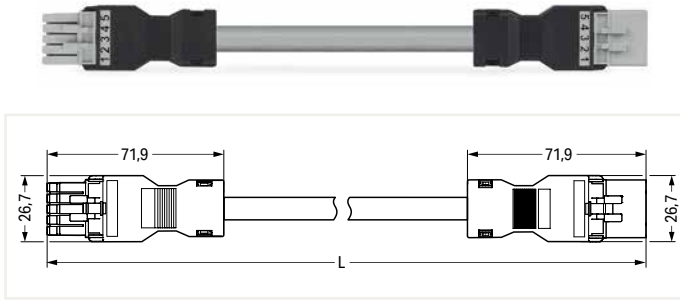
Additional information, see "Technical Section"

Approvals and corresponding ratings, visit www.wago.com

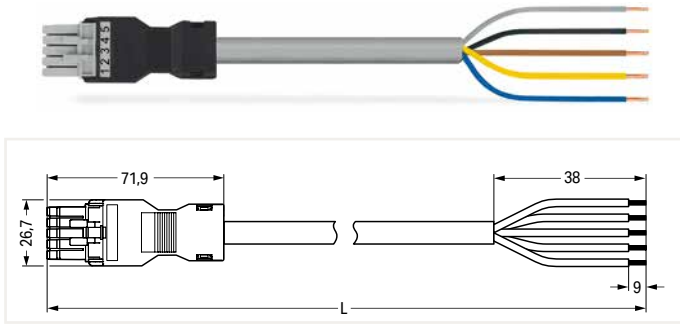
Cable Assembly ▶ WINSTA® MINI special ▶ Serie 891

No. of poles: 5 ▶ Marking: 1 2 3 4 5 ▶ PVC ▶ Reaction to fire class per EN 50575: E_{ca} ▶ 1 mm² ▶

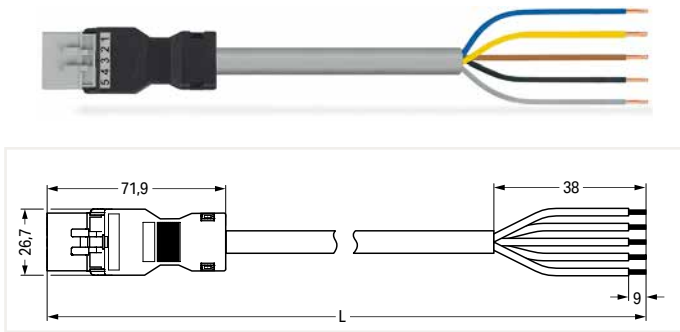
Cable diameter: 7.8 ... 9.3 mm ▶ Control line 5 x 1



Total length	Connector color / Strain relief color			PU
	gray / black	light green / black	pink / black	
1 m	891-8995/005-103	891-8995/005-105	891-8995/005-107	1
2 m	891-8995/005-203	891-8995/005-205	891-8995/005-207	1
3 m	891-8995/005-303	891-8995/005-305	891-8995/005-307	1
4 m	891-8995/005-403	891-8995/005-405	891-8995/005-407	1
5 m	891-8995/005-503	891-8995/005-505	891-8995/005-507	1
6 m	891-8995/005-603	891-8995/005-605	891-8995/005-607	1
7 m	891-8995/005-703	891-8995/005-705	891-8995/005-707	1
8 m	891-8995/005-803	891-8995/005-805	891-8995/005-807	1



Total length	Connector color / Strain relief color			PU
	gray / black	light green / black	pink / black	
1 m	891-8995/105-103	891-8995/105-105	891-8995/105-107	1
2 m	891-8995/105-203	891-8995/105-205	891-8995/105-207	1
3 m	891-8995/105-303	891-8995/105-305	891-8995/105-307	1
4 m	891-8995/105-403	891-8995/105-405	891-8995/105-407	1
5 m	891-8995/105-503	891-8995/105-505	891-8995/105-507	1
6 m	891-8995/105-603	891-8995/105-605	891-8995/105-607	1
7 m	891-8995/105-703	891-8995/105-705	891-8995/105-707	1
8 m	891-8995/105-803	891-8995/105-805	891-8995/105-807	1



Total length	Connector color / Strain relief color			PU
	gray / black	light green / black	pink / black	
1 m	891-8995/205-103	891-8995/205-105	891-8995/205-107	1
2 m	891-8995/205-203	891-8995/205-205	891-8995/205-207	1
3 m	891-8995/205-303	891-8995/205-305	891-8995/205-307	1
4 m	891-8995/205-403	891-8995/205-405	891-8995/205-407	1
5 m	891-8995/205-503	891-8995/205-505	891-8995/205-507	1
6 m	891-8995/205-603	891-8995/205-605	891-8995/205-607	1
7 m	891-8995/205-703	891-8995/205-705	891-8995/205-707	1
8 m	891-8995/205-803	891-8995/205-805	891-8995/205-807	1

Accessories; for all products on this page



Locking lever; for flying leads; manually operated		
Color	Item Number	PU (SPU)
● black	890-101	100 (50)
○ white	890-121	100 (50)

Locking lever; for flying leads; tool operated		
Color	Item Number	PU (SPU)
● black	890-111	100 (50)
○ white	890-131	100 (50)

Mounting adapter; for 2- to 5-pole for flying leads		
Color	Item Number	PU
● black	890-310	100
○ white	890-311	100

PU = Packaging Unit; SPU = Subpackaging Unit; Dimensions in mm

Other variants can be requested via the WAGO sales department or, if necessary, configured at <https://configurator.wago.com/>:

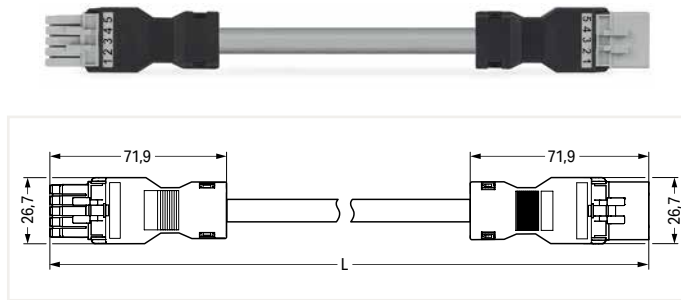
- Other pole markings

Cable Assembly ▶ WINSTA® MINI special ▶ Serie 891

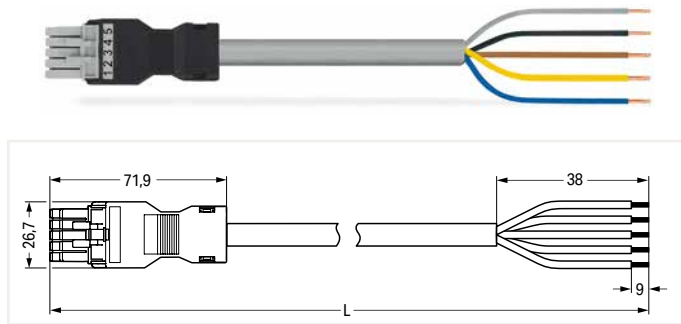
No. of poles: 5 ▶ Marking: 1 2 3 4 5 ▶ PVC ▶ Reaction to fire class per EN 50575: E_{ca} ▶ 1.5 mm² ▶

Cable diameter: 9.3 ... 11.6 mm ▶ Control line 5 x 1.5

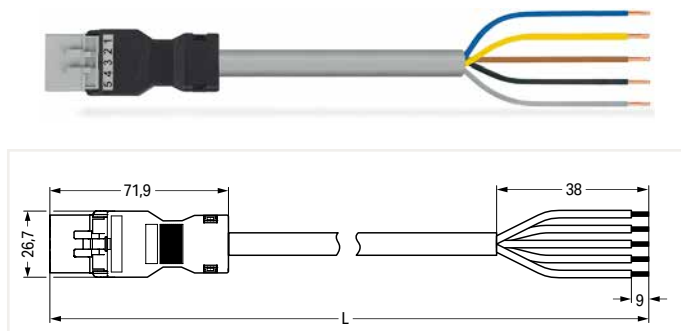
2



Interconnecting cable ▶ Protection class: IP20; IP40 when mated ▶ Socket - Plug				
Total length	Connector color / Strain relief color			PU
	gray / black	light green / black	pink / black	
1 m	891-8995/006-103	891-8995/006-105	891-8995/006-107	1
2 m	891-8995/006-203	891-8995/006-205	891-8995/006-207	1
3 m	891-8995/006-303	891-8995/006-305	891-8995/006-307	1
4 m	891-8995/006-403	891-8995/006-405	891-8995/006-407	1
5 m	891-8995/006-503	891-8995/006-505	891-8995/006-507	1
6 m	891-8995/006-603	891-8995/006-605	891-8995/006-607	1
7 m	891-8995/006-703	891-8995/006-705	891-8995/006-707	1
8 m	891-8995/006-803	891-8995/006-805	891-8995/006-807	1



Connecting cable ▶ Protection class: IP40 ▶ - Free end				
Total length	Connector color / Strain relief color			PU
	gray / black	light green / black	pink / black	
1 m	891-8995/106-103	891-8995/106-105	891-8995/106-107	1
2 m	891-8995/106-203	891-8995/106-205	891-8995/106-207	1
3 m	891-8995/106-303	891-8995/106-305	891-8995/106-307	1
4 m	891-8995/106-403	891-8995/106-405	891-8995/106-407	1
5 m	891-8995/106-503	891-8995/106-505	891-8995/106-507	1
6 m	891-8995/106-603	891-8995/106-605	891-8995/106-607	1
7 m	891-8995/106-703	891-8995/106-705	891-8995/106-707	1
8 m	891-8995/106-803	891-8995/106-805	891-8995/106-807	1



Connecting cable ▶ Protection class: IP20; IP40 when mated ▶ Plug - Free end				
Total length	Connector color / Strain relief color			PU
	gray / black	light green / black	pink / black	
1 m	891-8995/206-103	891-8995/206-105	891-8995/206-107	1
2 m	891-8995/206-203	891-8995/206-205	891-8995/206-207	1
3 m	891-8995/206-303	891-8995/206-305	891-8995/206-307	1
4 m	891-8995/206-403	891-8995/206-405	891-8995/206-407	1
5 m	891-8995/206-503	891-8995/206-505	891-8995/206-507	1
6 m	891-8995/206-603	891-8995/206-605	891-8995/206-607	1
7 m	891-8995/206-703	891-8995/206-705	891-8995/206-707	1
8 m	891-8995/206-803	891-8995/206-805	891-8995/206-807	1

Accessories; for all products on this page



Locking lever; for flying leads; manually operated		
Color	Item Number	PU (SPU)
● black	890-101	100 (50)
○ white	890-121	100 (50)

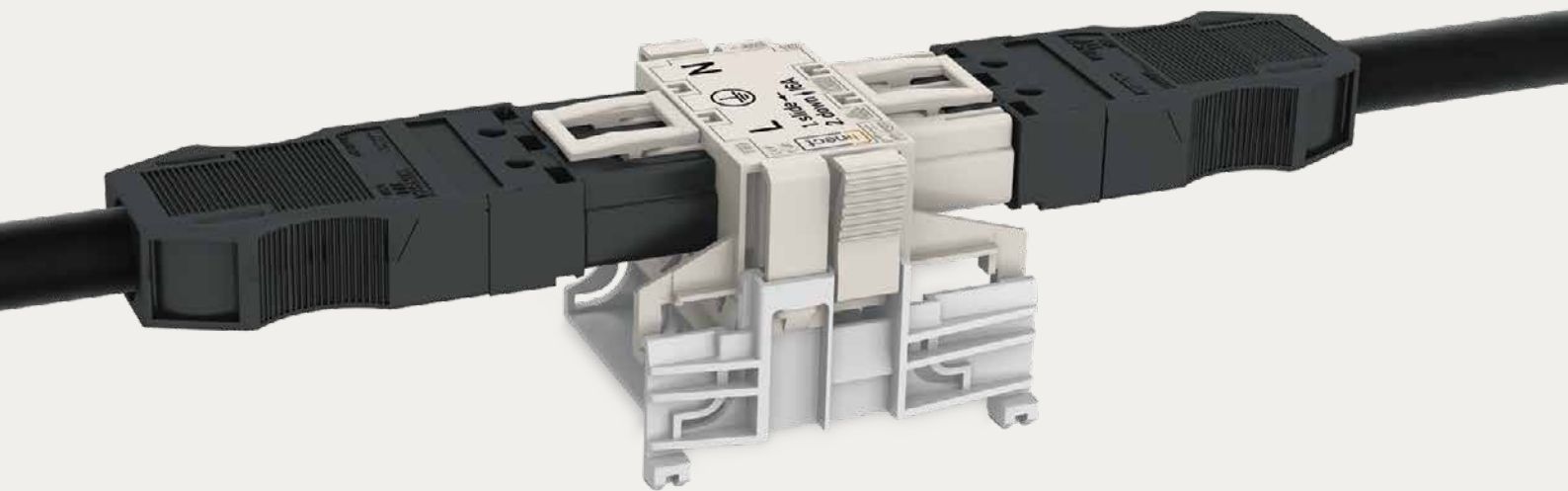
Locking lever; for flying leads; tool operated		
Color	Item Number	PU (SPU)
● black	890-111	100 (50)
○ white	890-131	100 (50)

Mounting adapter; for 2- to 5-pole for flying leads		
Color	Item Number	PU
● black	890-310	100
○ white	890-311	100

PU = Packaging Unit; SPU = Subpackaging Unit; Dimensions in mm

Other variants can be requested via the WAGO sales department or, if necessary, configured at <https://configurator.wago.com/>:

- Other pole markings










WAGO Pluggable Connection System *WINSTA*® MIDI

WAGO Pluggable Connection System WINSTA® MIDI ▶ 770, 771 Series

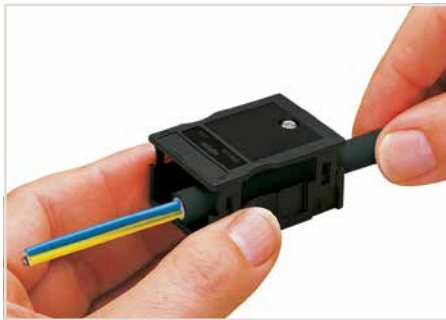
4 mm² / 25 A

- Note:**
- Installation connectors are designed for connection and disconnection while not under load.
 - There is no hazard-inducing interchangeability with systems based on IEC 60309, IEC 60320, IEC 60906 and with national connector and socket systems.
 - Compliance with the standards (IEC 61535) does not guarantee hazard-preventing, non-interchangeability with installation connector systems from various manufacturers.
 - Installation connector systems are not a substitute for residential connector/socket systems.

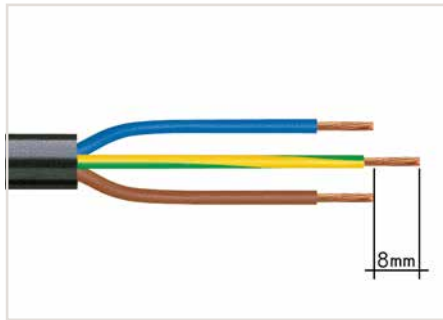
	Page	
	Linect® T-Connectors; 770 Series	
	2-pole	177
	3-pole	209
	4-pole	247
	5-pole	270
	Pluggable Connectors; 770 Series	
	2-pole	172
	3-pole	192
	4-pole	234
	5-pole	254
	Snap-In Device Connectors; 770 Series	
	3-pole	198
	4-pole	238
	Pluggable PCB Connectors; 770 Series	
	3-pole	204
	4-pole	242
	Distribution Connectors; 770 Series	
	2-pole	176
	3-pole	208
	Cable Assemblies; 771 Series	
	2-pole	180
	3-pole	216
	4-pole	250
	Cable Assemblies; IP 2XD; 771 Series	
	3-pole	228

WINSTA® MIDI ▶ 770, 771 Series Installation

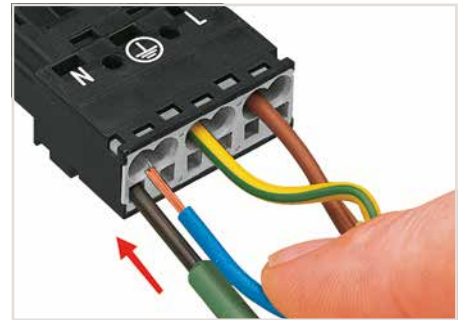
3



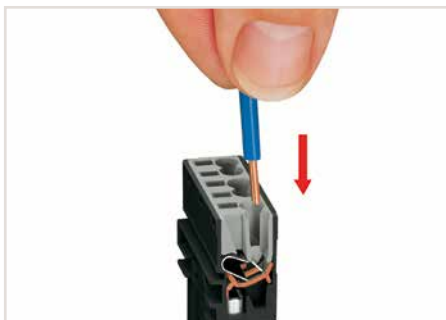
We recommend pulling the pre-latched strain relief housing over the cable prior to termination. However, the strain relief can be mounted at a later time as well.



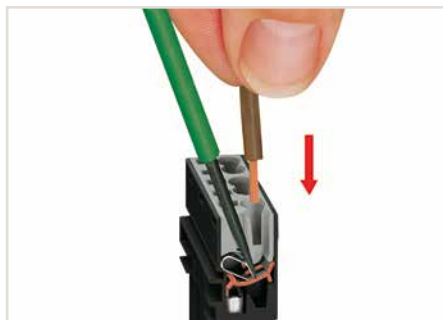
1. Strip length, outer insulation = x mm ❶
2. Strip length = 9 mm
3. Extended ground conductor = 8 mm



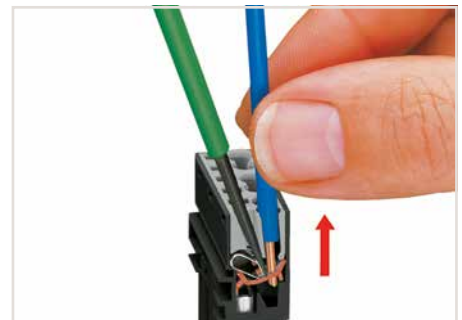
To terminate fine-stranded conductors, open the clamping unit via screwdriver (2.5 mm blade width) and insert a stripped conductor until it hits backstop.



Insert the stripped solid conductor until it hits backstop.



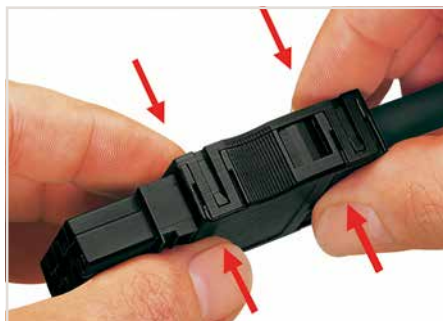
To terminate fine-stranded conductors, open the clamping unit via screwdriver (2.5 mm blade width) and insert a stripped conductor until it hits backstop.



To remove the conductor, actuate the clamp via screwdriver (2.5 mm blade width) and pull out the conductor.



Latch the strain relief housing on the plug/socket. Note the "TOP" inscription.



Prepare strain relief housing by snapping together upper and bottom part.



Tighten strain relief screw via screwdriver (2.5 mm blade width).



Simply cut off the coding pin from the socket.

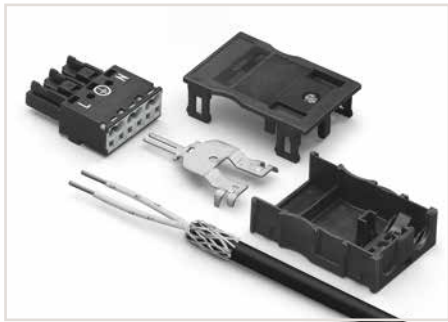


Insert coding pin into plug (break first) until it engages.



Marking strain relief housing via WSB Quick Marking System.

❶ Strip length, outer insulation: 2-pole = 35 mm, 3- to 5-pole = 55 mm

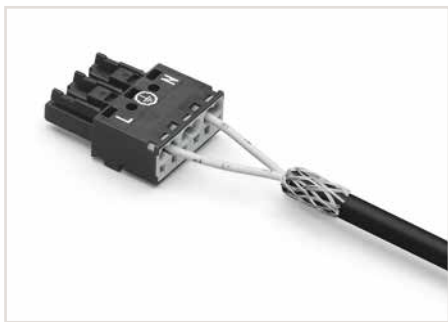


Connector with shield termination

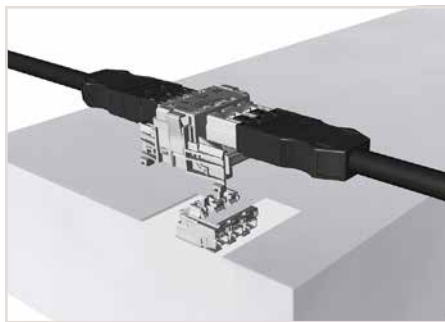


the light connection system

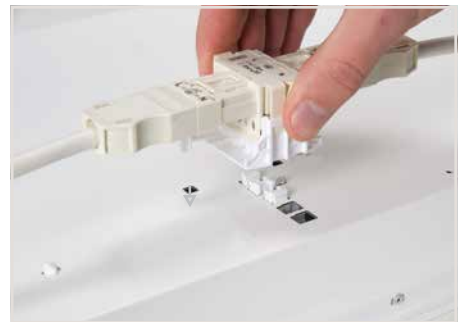
3



Apply the shield to the rubber cable.
Strip length, outer insulation = 55 mm
Shield length = 10 mm



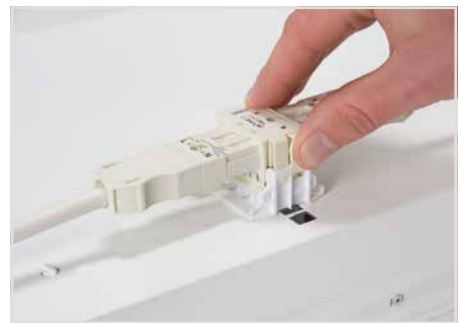
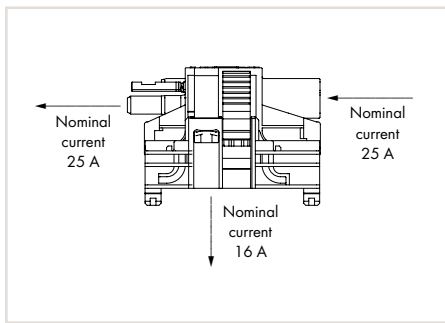
Connecting a T-connector to a 294 Series lighting connector.



Align the T-connector with the square cutouts.



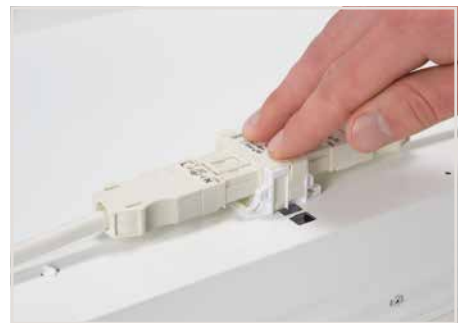
Push the shield connecting plate into the connector until fully inserted.



Move the T-connector toward the square cutouts until it is locked in position.



First insert the wired connector into strain relief housing, then snap cover and tighten screw.



Push down until fully engaged – done!

Pluggable Connector ▶ WINSTA® MIDI ▶ Serie 770

No. of poles: 2 ▶ Number of connection points: 2 ▶ Protection class: IP20



- Protected against mismatching and maintenance-free
- Push-in CAGE CLAMP® spring pressure connection technology allows solid conductors to be simply pushed into a unit
- Two-wire connection per pole for loops or bridges

Electrical Data			
Coding	A; I; L		
Ratings per	IEC/EN 60664-1		
Overvoltage category	III	III	II
Pollution degree	3	2	2
Rated voltage	250 V	-	-
Rated impulse voltage	4 kV	-	-
Rated current	25 A	-	-

Connection Data	
Connection technology	Push-in CAGE CLAMP®
Strip length	9 mm / 0.35 inch
Nominal cross section	4 mm ²
Solid conductor	0.5 ... 4 mm ² / 20 ... 12 AWG
Solid conductor, push-in termination	1.5 ... 4 mm ² / 16 ... 12 AWG
Stranded conductor	0.5 ... 2.5 mm ² / 20 ... 14 AWG
Fine-stranded conductor	0.5 ... 4 mm ² / 20 ... 12 AWG
Fine-stranded conductor with ferrule with plastic collar	0.25 ... 1.5 mm ² / 20 ... 16 AWG
Fine-stranded conductor with ferrule without plastic collar	0.25 ... 2.5 mm ² / 20 ... 14 AWG
Fine-stranded conductor with ferrule, push-in termination, from	1.5 mm ² / 16 AWG

Material Data	
Insulating material	Polyamide 66 (PA 66)
Clamping spring material	Chrome nickel spring steel (CrNi)
Contact material	Copper or copper alloy; surface-treated

Mechanical Data	
Number of mating cycles	200, without resistive load 100, with resistive load $I_N = 25$ A, tested (4 mm ² /AWG 12)
Mating force of a plug-in connection	Approx. 20 ... 70 N (depending on pole number)
Unmating force of a plug-in connection	When unlocked: approx. 20 ... 70 N (depending on pole number)
Retention force of a plug-in connection	When locked: > 80 N
Protection class	IP20
Note on protection class	In mated condition with strain relief housing: IP2xC (These compact connectors are not designed for use in open, easily accessible areas.)

Environmental Requirements	
Processing temperature	-5 ... +40 °C
Continuous operating temperature	-35 ... +85 °C
Note on continuous service temperature	Insulating parts for temperatures ≤ 105 °C

All connectors for mounted installations (snap-in versions for lighting fixtures or devices, all types of PCB and distribution connectors) are factory-equipped with locking levers to ensure plugs and sockets are securely locked. Additional locking levers are only required for flying leads (plug/socket).

Application note for the U.S. market (USR): Some versions may also be used for current interruption in accordance with the UL certificate in select applications with currents below 16 A and voltages up to 600 V. For further information, please contact your local sales office.

All WINSTA® components are 100% protected against mismatching in terms of:

- plugging different number of poles
- plugging when turned by 180°
- plugging when laterally staggered
- plugging one pole

General accessory Page 484

Strain relief Page 477

Tools Page 492

Additional information, see "Technical Section"

Approvals and corresponding ratings, visit www.wago.com

Pluggable Connector ▶ WINSTA® MIDI ▶ Serie 770

No. of poles: 2 ▶ Number of connection points: 2 ▶ Protection class: IP20

strain relief housing ▶ Female connector/socket ▶ Strip length: 35 mm ▶ Standard network application

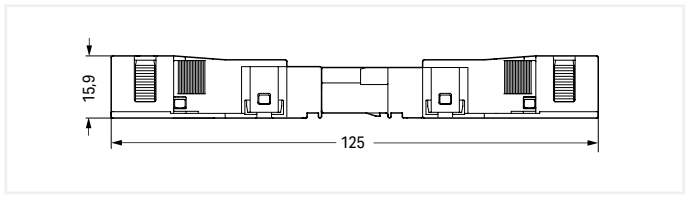
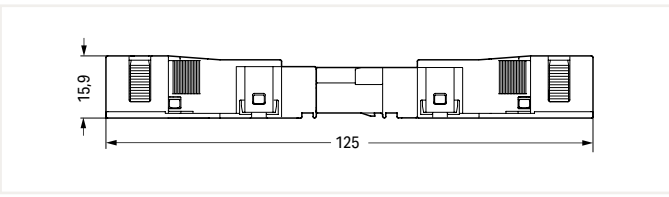
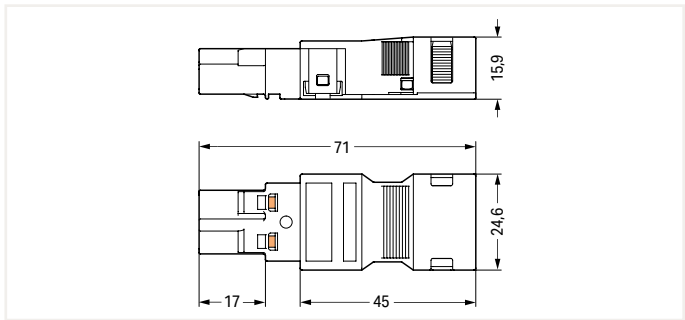
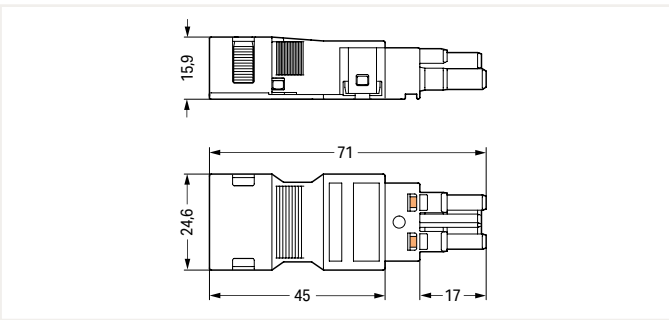
strain relief housing ▶ Male connector/plug ▶ Strip length: 35 mm ▶ Standard network application



Color	Coding	Marking	Item Number	PU
● black	A	L N	770-102/041-000	25
○ white	A	L N	770-122/041-000	25

Color	Coding	Marking	Item Number	PU
● black	A	L N	770-112/041-000	25
○ white	A	L N	770-132/041-000	25

3



Overall length when mated

Overall length when mated

Item-Specific Accessories

Item-Specific Accessories



Lockout cap; for socket; separable; No. of poles: 12

Color	Item Number	PU
● black	770-201	100
○ white	770-221	100

Lockout cap; for plug; separable; No. of poles: 5

Color	Item Number	PU
● yellow	770-360	100

Accessories; for all products on this page



Locking lever; for flying leads; manually operated

Color	Item Number	PU (SPU)
● black	770-101	100 (25)
○ white	770-121	100 (25)

Locking lever; for flying leads; tool operated

Color	Item Number	PU (SPU)
● black	770-111	100 (25)
○ white	770-131	100 (25)

Operating tool; for WAGO connectors WINSTA® MIDI; No. of poles: 2

Color	Item Number	PU (SPU)
● green	770-382	50 (1)

PU = Packaging Unit; SPU = Subpackaging Unit; Dimensions in mm

Pluggable Connector ▶ WINSTA® MIDI ▶ Serie 770

No. of poles: 2 ▶ Number of connection points: 2 ▶ Protection class: IP20

Female connector/socket



Standard network application

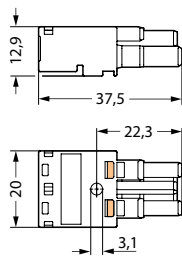
Color	Coding	Marking	Item Number	PU
● black	A	L N	770-202	100
○ white	A	L N	770-222	100

Lighting management

Color	Coding	Marking	Item Number	PU
● blue	I	DA+ DA-	770-1102	100

Emergency power supply

Color	Coding	Marking	Item Number	PU
● dark gray	L	L' N'	770-1162	100



Accessories; for all products on this page



Locking lever; for flying leads; manually operated

Color	Item Number	PU (SPU)
● black	770-101	100 (25)
○ white	770-121	100 (25)



Locking lever; for flying leads; tool operated

Color	Item Number	PU (SPU)
● black	770-111	100 (25)
○ white	770-131	100 (25)



Lockout cap; for socket; separable; No. of poles: 12

Color	Item Number	PU
● black	770-201	100
○ white	770-221	100



Operating tool; for WAGO connectors WINSTA® MIDI; No. of poles: 2

Color	Item Number	PU (SPU)
● green	770-382	50 (1)



Strain relief housing; Connectable sheathed cable diameter: 5 ... 9 mm; Strip length: 35 mm

Color	Item Number	PU
● black	770-502/042-000	50
○ white	770-512/042-000	50

PU = Packaging Unit; SPU = Subpackaging Unit; Dimensions in mm

Pluggable Connector ▶ WINSTA® MIDI ▶ Serie 770

No. of poles: 2 ▶ Number of connection points: 2 ▶ Protection class: IP20

Male connector/plug



Standard network application

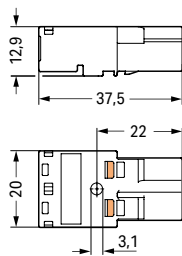
Color	Coding	Marking	Item Number	PU
● black	A	L N	770-212	100
○ white	A	L N	770-232	100

Lighting management

Color	Coding	Marking	Item Number	PU
● blue	I	DA+ DA-	770-1112	100

Emergency power supply

Color	Coding	Marking	Item Number	PU
● dark gray	L	L' N'	770-1172	100



Accessories; for all products on this page



Locking lever; for flying leads; manually operated

Color	Item Number	PU (SPU)
● black	770-101	100 (25)
○ white	770-121	100 (25)



Locking lever; for flying leads; tool operated

Color	Item Number	PU (SPU)
● black	770-111	100 (25)
○ white	770-131	100 (25)



Lockout cap; for plug; separable; No. of poles: 5

Color	Item Number	PU
● yellow	770-360	100



Operating tool; for WAGO connectors WINSTA® MIDI; No. of poles: 2

Color	Item Number	PU (SPU)
● green	770-382	50 (1)



Strain relief housing; Connectable sheathed cable diameter: 5 ... 9 mm; Strip length: 35 mm

Color	Item Number	PU
● black	770-502/042-000	50
○ white	770-512/042-000	50

PU = Packaging Unit; SPU = Subpackaging Unit; Dimensions in mm

Distribution Connector ▶ WINSTA® MIDI ▶ Serie 770

No. of poles: 2



- Protected against mismatching and maintenance-free

Electrical Data

Coding	I; L; A		
Ratings per	IEC/EN 60664-1		
Overvoltage category	III	III	II
Pollution degree	3	2	2
Rated voltage	250 V	-	-
Rated impulse voltage	4 kV	-	-
Rated current	25 A	-	-

Material Data

Insulating material	Polyamide 66 (PA 66)
Contact material	Copper or copper alloy; surface-treated

Mechanical Data

Number of mating cycles	200, without resistive load 100, with resistive load $I_N = 25$ A, tested (4 mm ² /AWG 12)
Mating force of a plug-in connection	approx. 20 ... 70 N (depending on pole number)
Unmating force of a plug-in connection	when unlocked: approx. 20 ... 70 N (depending on pole number)
Retention force of a plug-in connection	When locked: > 80 N
Protection class	IP20
Note on protection class	In mated condition with strain relief housing: IP2xC (These compact connectors are not designed for use in open, easily accessible areas.)

Environmental Requirements

Processing temperature	-5 ... +40 °C
Continuous operating temperature	-35 ... +85 °C
Note on continuous service temperature	Insulating parts for temperatures ≤ 105 °C

All connectors for mounted installations (snap-in versions for lighting fixtures or devices, all types of PCB and distribution connectors) are factory-equipped with locking levers to ensure plugs and sockets are securely locked. Additional locking levers are only required for flying leads (plug/socket).

Application note for the U.S. market (USR): Some versions may also be used for current interruption in accordance with the UL certificate in select applications with currents below 16 A and voltages up to 600 V. For further information, please contact your local sales office.

All WINSTA® components are 100% protected against mismatching in terms of:

- plugging different number of poles
- plugging when turned by 180°
- plugging when laterally staggered
- plugging one pole

Additional information, see "Technical Section"

Approvals and corresponding ratings, visit www.wago.com

Distribution Connector ▶ WINSTA® MIDI ▶ Serie 770

No. of poles: 2

Linect® T-connector

T-distribution connector ▶ Number of locking levers: 2 ▶ Standard network application



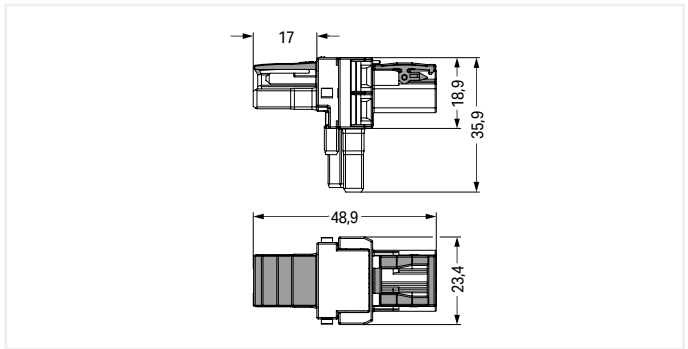
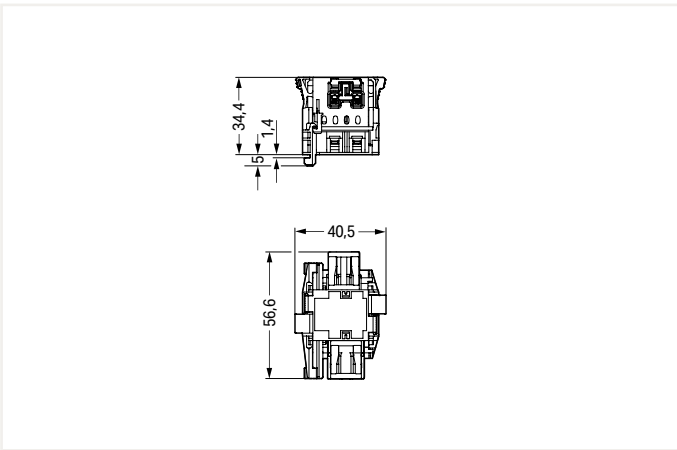
Lighting management

Color	Coding	Marking	Item Number	PU
● blue	I	DA+ DA-	770-7102	25

Color	Coding	Marking	Item Number	PU
● black	A	L N	770-1606	50
○ white	A	L N	770-1656	50

Emergency power supply

Color	Coding	Marking	Item Number	PU
● dark gray	L	L' N'	770-7502	25



Accessories; for all products on this page



Lockout cap; for socket; separable; No. of poles: 12		
Color	Item Number	PU
● black	770-201	100
○ white	770-221	100

Lockout cap; for plug; separable; No. of poles: 5		
Color	Item Number	PU
● yellow	770-360	100

PU = Packaging Unit; SPU = Subpackaging Unit; Dimensions in mm

Distribution Connector ▶ WINSTA® MIDI ▶ Serie 770

No. of poles: 2

T-distribution connector ▶ Number of locking levers: 3 ▶ Standard network application ▶ for flying leads

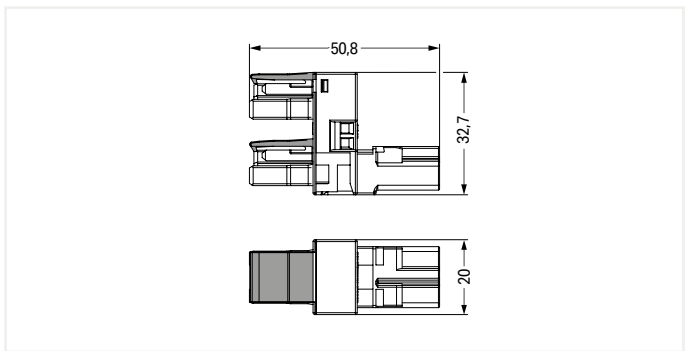
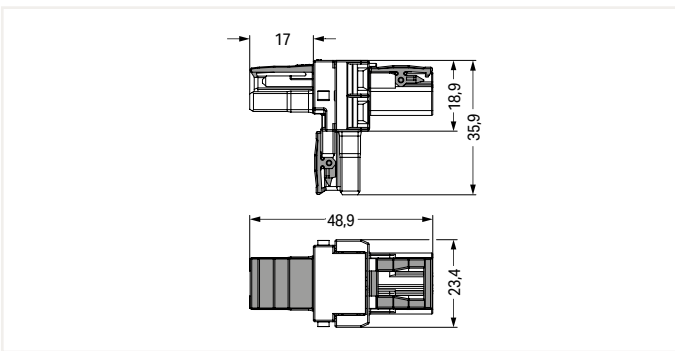
h-distribution connector, unidirectional ▶ Number of locking levers: 2 ▶ Standard network application



3

Color	Coding	Marking	Item Number	PU
● black	A	L N	770-1615	50
○ white	A	L N	770-1665	50

Color	Coding	Marking	Item Number	PU
● black	A	L N	770-1634	50
○ white	A	L N	770-1684	50



Item-Specific Accessories



Mounting plate; for distribution connector (except T-distribution connector); 2-pole

Color	Item Number	PU
● black	770-1626	25
○ white	770-1627	25

Accessories; for all products on this page



Lockout cap; for socket; separable; No. of poles: 12		
Color	Item Number	PU
● black	770-201	100
○ white	770-221	100

Lockout cap; for plug; separable; No. of poles: 5		
Color	Item Number	PU
● yellow	770-360	100

PU = Packaging Unit; SPU = Subpackaging Unit; Dimensions in mm

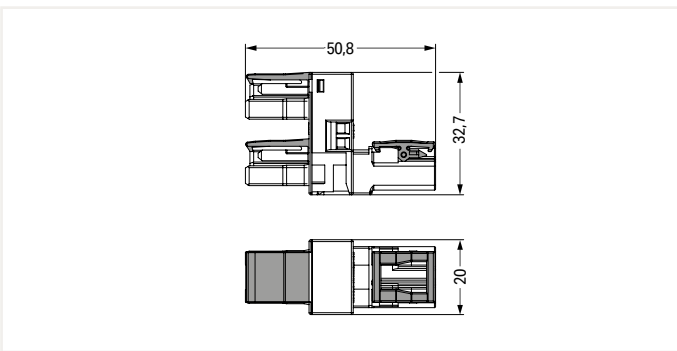
Distribution Connector ▶ WINSTA® MIDI ▶ Serie 770

No. of poles: 2

h-distribution connector, unidirectional ▶ Number of locking levers: 3 ▶ Standard network application ▶ for flying leads



Color	Coding	Marking	Item Number	PU
● black	A	L N	770-1636	50
○ white	A	L N	770-1686	50



3

Accessories; for all products on this page



Mounting plate; for distribution connector (except T-distribution connector); 2-pole

Color	Item Number	PU
● black	770-1626	25
○ white	770-1627	25



Lockout cap; for socket; separable; No. of poles: 12

Color	Item Number	PU
● black	770-201	100
○ white	770-221	100



Lockout cap; for plug; separable; No. of poles: 5

Color	Item Number	PU
● yellow	770-360	100

PU = Packaging Unit; SPU = Subpackaging Unit; Dimensions in mm

Cable Assembly ▶ WINSTA® MIDI ▶ Serie 771No. of poles: 2 ▶ Protection class: IP20 ▶ Reaction to fire class per EN 50575: E_{ca}

- Protected against mismatching and maintenance-free
- Push-in CAGE CLAMP® spring pressure connection technology allows solid conductors to be simply pushed into a unit
- Two-wire connection per pole for loops or bridges

Electrical Data

Cross section of single conductor	1.5 mm ²			2.5 mm ²		
Coding	A; I; L			A; L		
Ratings per	IEC/EN 60664-1			IEC/EN 60664-1		
Overvoltage category	III	III	II	III	III	II
Pollution degree	3	2	2	3	2	2
Rated voltage	250 V	-	-	250 V	-	-
Rated impulse voltage	4 kV	-	-	4 kV	-	-
Rated current	16 A	-	-	20 A	-	-

Material Data

Insulating material	Polyamide 66 (PA 66)
Contact material	Copper or copper alloy; surface-treated
Reaction to fire class per EN 50575	E _{ca}

Mechanical Data

Number of mating cycles	200, without resistive load 100, with resistive load I _N = 25 A, tested (4 mm ² /AWG 12)
Mating force of a plug-in connection	approx. 20 ... 70 N (depending on pole number)
Unmating force of a plug-in connection	when unlocked: approx. 20 ... 70 N (depending on pole number)
Retention force of a plug-in connection	when locked: > 80N
Protection class	IP20
Note on protection class	In mated condition: IP2xC (These compact connectors are not designed for use in open, easily accessible areas.)

Environmental Requirements

Processing temperature	-5 ... +40 °C
Continuous operating temperature	-35 ... +85 °C
Note on continuous service temperature	PVC cable for temperatures ≤ 70 °C (including halogen-free) Insulating parts for temperatures ≤ 105 °C

Cables with different fire load are available in the eShop

Application note for the U.S. market (USR): Some versions may also be used for current interruption in accordance with the UL certificate in select applications with currents below 16 A and voltages up to 600 V. For further information, please contact your local sales office.

All WINSTA® components are 100% protected against mismatching in terms of:

- plugging different number of poles
- plugging when turned by 180°
- plugging when laterally staggered
- plugging one pole

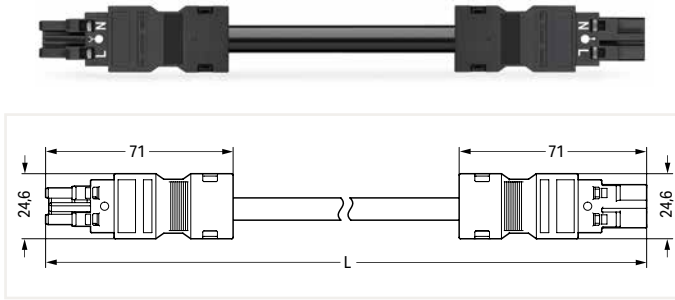
Marking Page 499

Additional information, see "Technical Section"

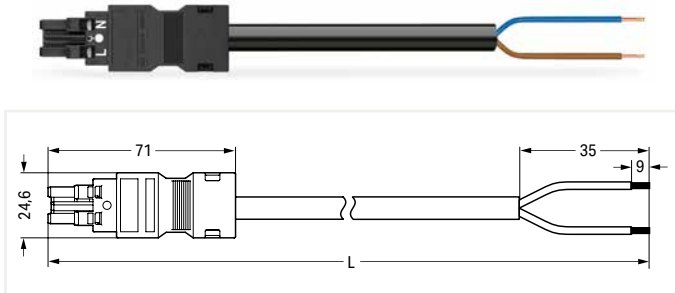
Approvals and corresponding ratings, visit www.wago.com

Cable Assembly ▶ WINSTA® MIDI ▶ Serie 771

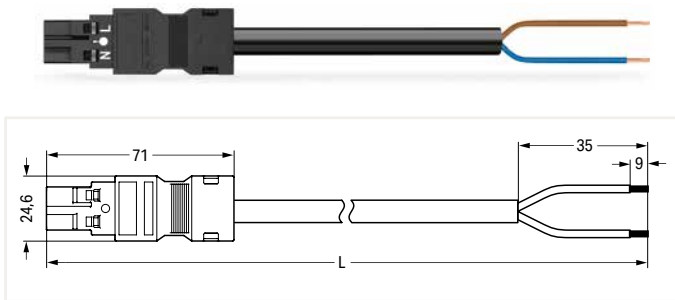
No. of poles: 2 ▶ Protection class: IP20 ▶ Reaction to fire class per EN 50575: E_{ca} ▶ 1.5 mm² ▶ Coating: A ▶ Marking: L N ▶ PVC ▶ Cable diameter: 6.8 ... 8.6 mm ▶ H05VV-F 2x1.5 ▶ Standard network application



Total length	Connector color / Strain relief color		PU
	black / black	white / white	
1 m	771-8992/006-101	771-8992/006-102	1
2 m	771-8992/006-201	771-8992/006-202	1
3 m	771-8992/006-301	771-8992/006-302	1
4 m	771-8992/006-401	771-8992/006-402	1
5 m	771-8992/006-501	771-8992/006-502	1
6 m	771-8992/006-601	771-8992/006-602	1
7 m	771-8992/006-701	771-8992/006-702	1
8 m	771-8992/006-801	771-8992/006-802	1



Total length	Connector color / Strain relief color		PU
	black / black	white / white	
1 m	771-8992/106-101	771-8992/106-102	1
2 m	771-8992/106-201	771-8992/106-202	1
3 m	771-8992/106-301	771-8992/106-302	1
4 m	771-8992/106-401	771-8992/106-402	1
5 m	771-8992/106-501	771-8992/106-502	1
6 m	771-8992/106-601	771-8992/106-602	1
7 m	771-8992/106-701	771-8992/106-702	1
8 m	771-8992/106-801	771-8992/106-802	1



Total length	Connector color / Strain relief color		PU
	black / black	white / white	
1 m	771-8992/206-101	771-8992/206-102	1
2 m	771-8992/206-201	771-8992/206-202	1
3 m	771-8992/206-301	771-8992/206-302	1
4 m	771-8992/206-401	771-8992/206-402	1
5 m	771-8992/206-501	771-8992/206-502	1
6 m	771-8992/206-601	771-8992/206-602	1
7 m	771-8992/206-701	771-8992/206-702	1
8 m	771-8992/206-801	771-8992/206-802	1

3

Accessories; for all products on this page



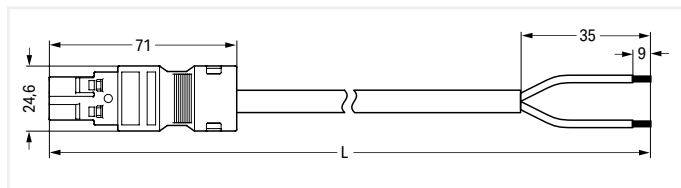
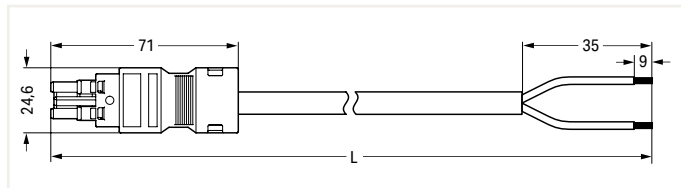
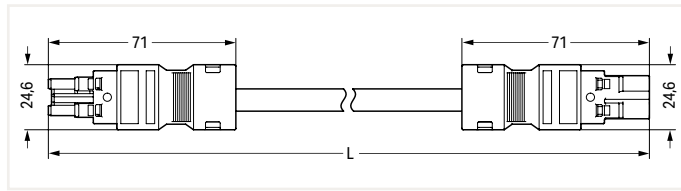
Locking lever; for flying leads; manually operated		
Color	Item Number	PU (SPU)
● black	770-101	100 (25)
○ white	770-121	100 (25)

Locking lever; for flying leads; tool operated		
Color	Item Number	PU (SPU)
● black	770-111	100 (25)
○ white	770-131	100 (25)

PU = Packaging Unit; SPU = Subpackaging Unit; Dimensions in mm

Cable Assembly ▶ WINSTA® MIDI ▶ Serie 771

No. of poles: 2 ▶ Protection class: IP20 ▶ Reaction to fire class per EN 50575: E_{ca} ▶ 1.5 mm² ▶ Coating: A ▶ Marking: L N ▶ Halogen-free ▶ Cable diameter: 6.8 ... 8.6 mm ▶ H05Z1Z1-F 2x1.5 ▶ Standard network application



Interconnecting cable ▶ Socket - Plug			
Total length	Connector color / Strain relief color		PU
	black / black	white / white	
1 m	771-8992/016-101	771-8992/016-102	1
2 m	771-8992/016-201	771-8992/016-202	1
3 m	771-8992/016-301	771-8992/016-302	1
4 m	771-8992/016-401	771-8992/016-402	1
5 m	771-8992/016-501	771-8992/016-502	1
6 m	771-8992/016-601	771-8992/016-602	1
7 m	771-8992/016-701	771-8992/016-702	1
8 m	771-8992/016-801	771-8992/016-802	1

Connecting cable ▶ Socket - Free end ▶ Strip length: 35 mm			
Total length	Connector color / Strain relief color		PU
	black / black	white / white	
1 m	771-8992/116-101	771-8992/116-102	1
2 m	771-8992/116-201	771-8992/116-202	1
3 m	771-8992/116-301	771-8992/116-302	1
4 m	771-8992/116-401	771-8992/116-402	1
5 m	771-8992/116-501	771-8992/116-502	1
6 m	771-8992/116-601	771-8992/116-602	1
7 m	771-8992/116-701	771-8992/116-702	1
8 m	771-8992/116-801	771-8992/116-802	1

Connecting cable ▶ Plug - Free end ▶ Strip length: 35 mm			
Total length	Connector color / Strain relief color		PU
	black / black	white / white	
1 m	771-8992/216-101	771-8992/216-102	1
2 m	771-8992/216-201	771-8992/216-202	1
3 m	771-8992/216-301	771-8992/216-302	1
4 m	771-8992/216-401	771-8992/216-402	1
5 m	771-8992/216-501	771-8992/216-502	1
6 m	771-8992/216-601	771-8992/216-602	1
7 m	771-8992/216-701	771-8992/216-702	1
8 m	771-8992/216-801	771-8992/216-802	1

Accessories; for all products on this page



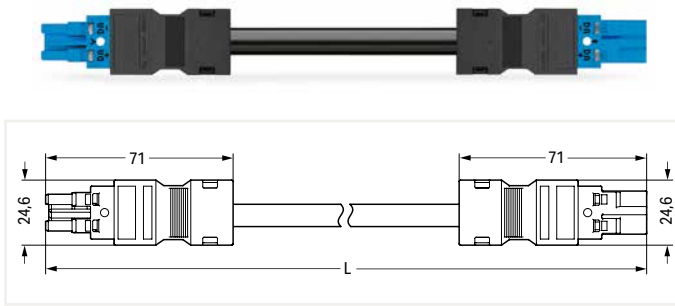
Locking lever; for flying leads; manually operated		
Color	Item Number	PU (SPU)
● black	770-101	100 (25)
○ white	770-121	100 (25)

Locking lever; for flying leads; tool operated		
Color	Item Number	PU (SPU)
● black	770-111	100 (25)
○ white	770-131	100 (25)

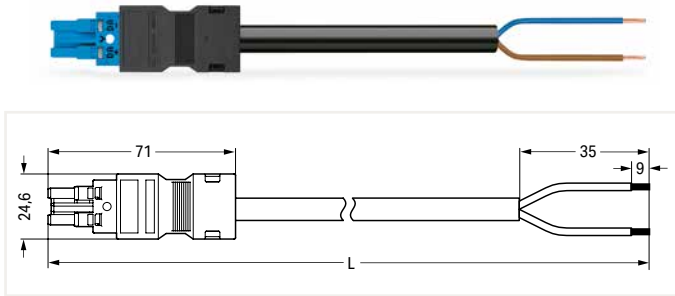
PU = Packaging Unit; SPU = Subpackaging Unit; Dimensions in mm

Cable Assembly ▶ WINSTA® MIDI ▶ Serie 771

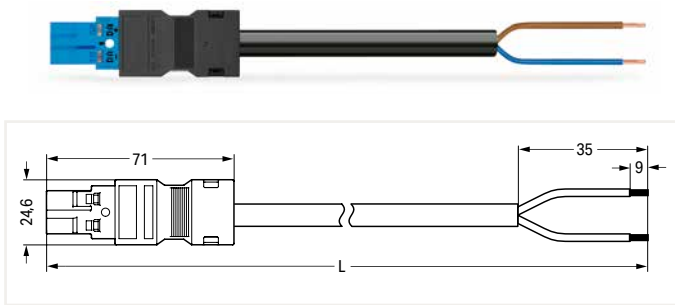
No. of poles: 2 ▶ Protection class: IP20 ▶ Reaction to fire class per EN 50575: E_{ca} ▶ 1.5 mm² ▶ Coding: I ▶ Marking: DA+ DA- ▶ PVC ▶ Cable diameter: 6.8 ... 8.6 mm ▶ H05VV-F 2x1.5 ▶ Lighting management



Interconnecting cable ▶ Socket - Plug			
Total length	Connector color / Strain relief color		PU
	blue / black	blue / white	
1 m	771-8982/006-101	771-8982/006-102	1
2 m	771-8982/006-201	771-8982/006-202	1
3 m	771-8982/006-301	771-8982/006-302	1
4 m	771-8982/006-401	771-8982/006-402	1
5 m	771-8982/006-501	771-8982/006-502	1
6 m	771-8982/006-601	771-8982/006-602	1
7 m	771-8982/006-701	771-8982/006-702	1
8 m	771-8982/006-801	771-8982/006-802	1



Connecting cable ▶ Socket - Free end ▶ Strip length: 35 mm			
Total length	Connector color / Strain relief color		PU
	blue / black	blue / white	
1 m	771-8982/106-101	771-8982/106-102	1
2 m	771-8982/106-201	771-8982/106-202	1
3 m	771-8982/106-301	771-8982/106-302	1
4 m	771-8982/106-401	771-8982/106-402	1
5 m	771-8982/106-501	771-8982/106-502	1
6 m	771-8982/106-601	771-8982/106-602	1
7 m	771-8982/106-701	771-8982/106-702	1
8 m	771-8982/106-801	771-8982/106-802	1



Connecting cable ▶ Plug - Free end ▶ Strip length: 35 mm			
Total length	Connector color / Strain relief color		PU
	blue / black	blue / white	
1 m	771-8982/206-101	771-8982/206-102	1
2 m	771-8982/206-201	771-8982/206-202	1
3 m	771-8982/206-301	771-8982/206-302	1
4 m	771-8982/206-401	771-8982/206-402	1
5 m	771-8982/206-501	771-8982/206-502	1
6 m	771-8982/206-601	771-8982/206-602	1
7 m	771-8982/206-701	771-8982/206-702	1
8 m	771-8982/206-801	771-8982/206-802	1

3

Accessories; for all products on this page



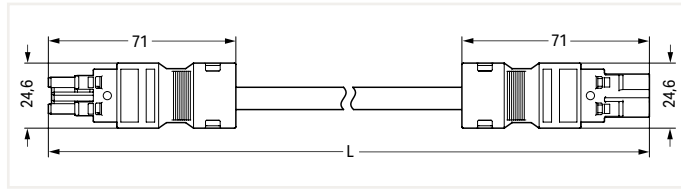
Locking lever; for flying leads; manually operated		
Color	Item Number	PU (SPU)
● black	770-101	100 (25)
○ white	770-121	100 (25)

Locking lever; for flying leads; tool operated		
Color	Item Number	PU (SPU)
● black	770-111	100 (25)
○ white	770-131	100 (25)

PU = Packaging Unit; SPU = Subpackaging Unit; Dimensions in mm

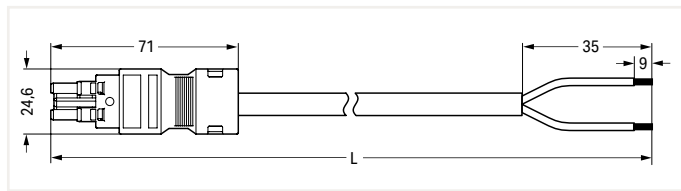
Cable Assembly ▶ WINSTA® MIDI ▶ Serie 771

No. of poles: 2 ▶ Protection class: IP20 ▶ Reaction to fire class per EN 50575: E_{ca} ▶ 1.5 mm² ▶ Co-
ding: I ▶ Marking: DA+ DA- ▶ Halogen-free ▶ Cable diameter: 6.8 ... 8.6 mm ▶ H05Z1Z1-F 2x1.5 ▶
Lighting management

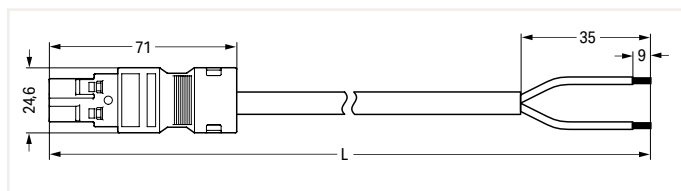


Total length	Connector color / Strain relief color		PU
	blue / black	blue / white	
1 m	771-8982/016-101	771-8982/016-102	1
2 m	771-8982/016-201	771-8982/016-202	1
3 m	771-8982/016-301	771-8982/016-302	1
4 m	771-8982/016-401	771-8982/016-402	1
5 m	771-8982/016-501	771-8982/016-502	1
6 m	771-8982/016-601	771-8982/016-602	1
7 m	771-8982/016-701	771-8982/016-702	1
8 m	771-8982/016-801	771-8982/016-802	1

3



Total length	Connector color / Strain relief color		PU
	blue / black	blue / white	
1 m	771-8982/116-101	771-8982/116-102	1
2 m	771-8982/116-201	771-8982/116-202	1
3 m	771-8982/116-301	771-8982/116-302	1
4 m	771-8982/116-401	771-8982/116-402	1
5 m	771-8982/116-501	771-8982/116-502	1
6 m	771-8982/116-601	771-8982/116-602	1
7 m	771-8982/116-701	771-8982/116-702	1
8 m	771-8982/116-801	771-8982/116-802	1



Total length	Connector color / Strain relief color		PU
	blue / black	blue / white	
1 m	771-8982/216-101	771-8982/216-102	1
2 m	771-8982/216-201	771-8982/216-202	1
3 m	771-8982/216-301	771-8982/216-302	1
4 m	771-8982/216-401	771-8982/216-402	1
5 m	771-8982/216-501	771-8982/216-502	1
6 m	771-8982/216-601	771-8982/216-602	1
7 m	771-8982/216-701	771-8982/216-702	1
8 m	771-8982/216-801	771-8982/216-802	1

Accessories; for all products on this page



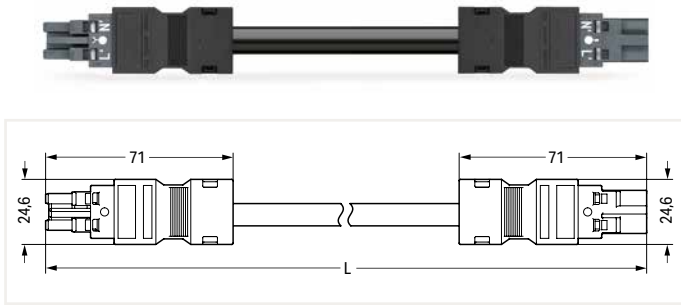
Locking lever; for flying leads; manually operated		
Color	Item Number	PU (SPU)
● black	770-101	100 (25)
○ white	770-121	100 (25)

Locking lever; for flying leads; tool operated		
Color	Item Number	PU (SPU)
● black	770-111	100 (25)
○ white	770-131	100 (25)

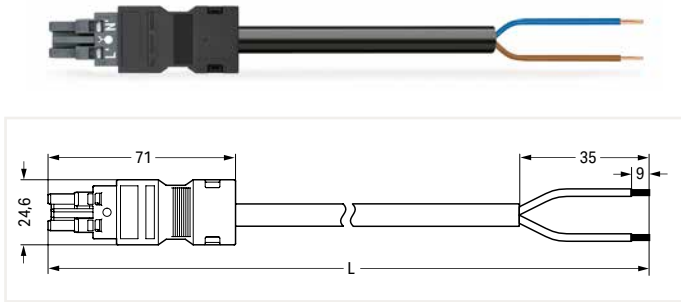
PU = Packaging Unit; SPU = Subpackaging Unit; Dimensions in mm

Cable Assembly ▶ WINSTA® MIDI ▶ Serie 771

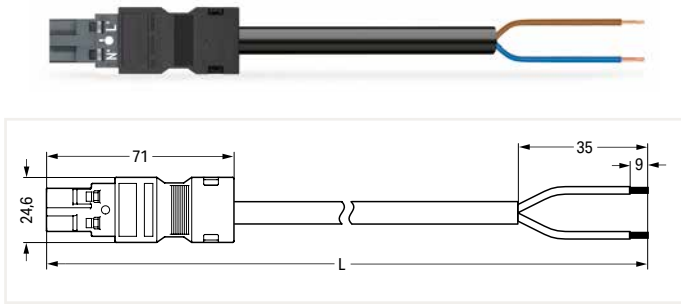
No. of poles: 2 ▶ Protection class: IP20 ▶ Reaction to fire class per EN 50575: E_{ca} ▶ 1.5 mm² ▶ Coding: L ▶ Marking: L' N' ▶ PVC ▶ Cable diameter: 6.8 ... 8.6 mm ▶ H05VV-F 2x1.5 ▶ Emergency power supply



Interconnecting cable ▶ Socket - Plug			
Total length	Connector color / Strain relief color		PU
	dark gray / black	dark gray / white	
1 m	771-8982/006-103	771-8982/006-104	1
2 m	771-8982/006-203	771-8982/006-204	1
3 m	771-8982/006-303	771-8982/006-304	1
4 m	771-8982/006-403	771-8982/006-404	1
5 m	771-8982/006-503	771-8982/006-504	1
6 m	771-8982/006-603	771-8982/006-604	1
7 m	771-8982/006-703	771-8982/006-704	1
8 m	771-8982/006-803	771-8982/006-804	1



Connecting cable ▶ Socket - Free end ▶ Strip length: 35 mm			
Total length	Connector color / Strain relief color		PU
	dark gray / black	dark gray / white	
1 m	771-8982/106-103	771-8982/106-104	1
2 m	771-8982/106-203	771-8982/106-204	1
3 m	771-8982/106-303	771-8982/106-304	1
4 m	771-8982/106-403	771-8982/106-404	1
5 m	771-8982/106-503	771-8982/106-504	1
6 m	771-8982/106-603	771-8982/106-604	1
7 m	771-8982/106-703	771-8982/106-704	1
8 m	771-8982/106-803	771-8982/106-804	1



Connecting cable ▶ Plug - Free end ▶ Strip length: 35 mm			
Total length	Connector color / Strain relief color		PU
	dark gray / black	dark gray / white	
1 m	771-8982/206-103	771-8982/206-104	1
2 m	771-8982/206-203	771-8982/206-204	1
3 m	771-8982/206-303	771-8982/206-304	1
4 m	771-8982/206-403	771-8982/206-404	1
5 m	771-8982/206-503	771-8982/206-504	1
6 m	771-8982/206-603	771-8982/206-604	1
7 m	771-8982/206-703	771-8982/206-704	1
8 m	771-8982/206-803	771-8982/206-804	1

3

Accessories; for all products on this page



Locking lever; for flying leads; manually operated		
Color	Item Number	PU (SPU)
● black	770-101	100 (25)
○ white	770-121	100 (25)

Locking lever; for flying leads; tool operated		
Color	Item Number	PU (SPU)
● black	770-111	100 (25)
○ white	770-131	100 (25)

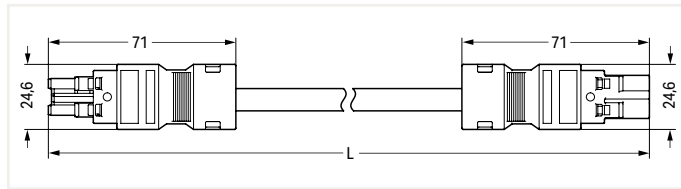
PU = Packaging Unit; SPU = Subpackaging Unit; Dimensions in mm

Cable Assembly ▶ WINSTA® MIDI ▶ Serie 771

No. of poles: 2 ▶ Protection class: IP20 ▶ Reaction to fire class per EN 50575: E_{ca} ▶ 1.5 mm² ▶

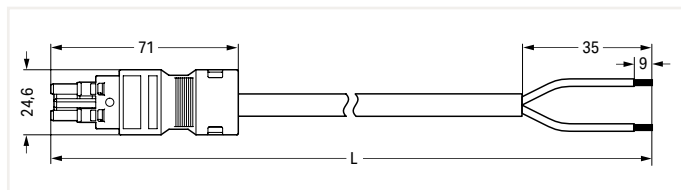
Coding: L ▶ Marking: L' N' ▶ Halogen-free ▶ Cable diameter: 6.8 ... 8.6 mm ▶ H05Z1Z1-F 2x1.5 ▶

Emergency power supply

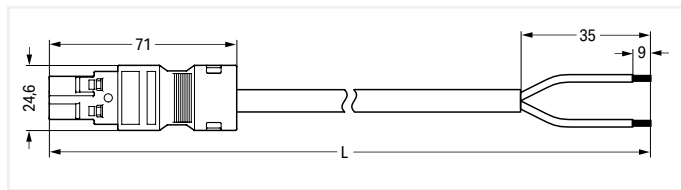


Total length	Connector color / Strain relief color		PU
	dark gray / black	dark gray / white	
1 m	771-8982/016-103	771-8982/016-104	1
2 m	771-8982/016-203	771-8982/016-204	1
3 m	771-8982/016-303	771-8982/016-304	1
4 m	771-8982/016-403	771-8982/016-404	1
5 m	771-8982/016-503	771-8982/016-504	1
6 m	771-8982/016-603	771-8982/016-604	1
7 m	771-8982/016-703	771-8982/016-704	1
8 m	771-8982/016-803	771-8982/016-804	1

3



Total length	Connector color / Strain relief color		PU
	dark gray / black	dark gray / white	
1 m	771-8982/116-103	771-8982/116-104	1
2 m	771-8982/116-203	771-8982/116-204	1
3 m	771-8982/116-303	771-8982/116-304	1
4 m	771-8982/116-403	771-8982/116-404	1
5 m	771-8982/116-503	771-8982/116-504	1
6 m	771-8982/116-603	771-8982/116-604	1
7 m	771-8982/116-703	771-8982/116-704	1
8 m	771-8982/116-803	771-8982/116-804	1



Total length	Connector color / Strain relief color		PU
	dark gray / black	dark gray / white	
1 m	771-8982/216-103	771-8982/216-104	1
2 m	771-8982/216-203	771-8982/216-204	1
3 m	771-8982/216-303	771-8982/216-304	1
4 m	771-8982/216-403	771-8982/216-404	1
5 m	771-8982/216-503	771-8982/216-504	1
6 m	771-8982/216-603	771-8982/216-604	1
7 m	771-8982/216-703	771-8982/216-704	1
8 m	771-8982/216-803	771-8982/216-804	1

Accessories; for all products on this page



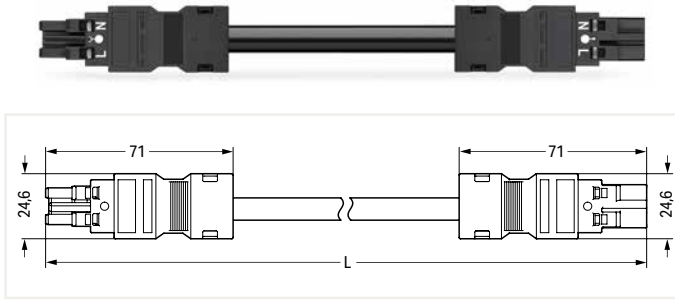
Locking lever; for flying leads; manually operated		
Color	Item Number	PU (SPU)
● black	770-101	100 (25)
○ white	770-121	100 (25)

Locking lever; for flying leads; tool operated		
Color	Item Number	PU (SPU)
● black	770-111	100 (25)
○ white	770-131	100 (25)

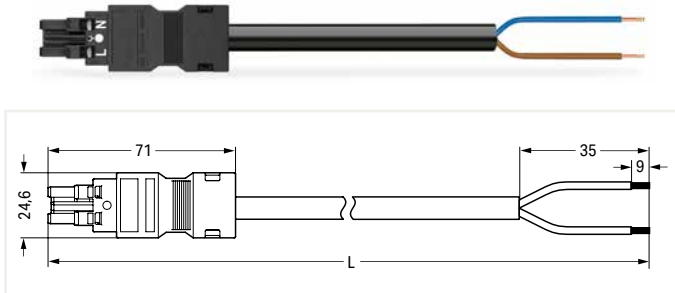
PU = Packaging Unit; SPU = Subpackaging Unit; Dimensions in mm

Cable Assembly ▶ WINSTA® MIDI ▶ Serie 771

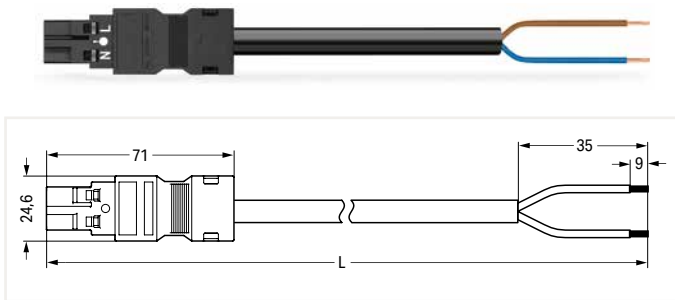
No. of poles: 2 ▶ Protection class: IP20 ▶ Reaction to fire class per EN 50575: E_{ca} ▶ 2.5 mm² ▶ Coating: A ▶ Marking: L N ▶ PVC ▶ Cable diameter: 8.4 ... 10.6 mm ▶ H05VV-F 2x2.5 ▶ Standard network application



Interconnecting cable ▶ Socket - Plug			
Total length	Connector color / Strain relief color		PU
	black / black	white / white	
1 m	771-8992/007-101	771-8992/007-102	1
2 m	771-8992/007-201	771-8992/007-202	1
3 m	771-8992/007-301	771-8992/007-302	1
4 m	771-8992/007-401	771-8992/007-402	1
5 m	771-8992/007-501	771-8992/007-502	1
6 m	771-8992/007-601	771-8992/007-602	1
7 m	771-8992/007-701	771-8992/007-702	1
8 m	771-8992/007-801	771-8992/007-802	1



Connecting cable ▶ Socket - Free end ▶ Strip length: 35 mm			
Total length	Connector color / Strain relief color		PU
	black / black	white / white	
1 m	771-8992/107-101	771-8992/107-102	1
2 m	771-8992/107-201	771-8992/107-202	1
3 m	771-8992/107-301	771-8992/107-302	1
4 m	771-8992/107-401	771-8992/107-402	1
5 m	771-8992/107-501	771-8992/107-502	1
6 m	771-8992/107-601	771-8992/107-602	1
7 m	771-8992/107-701	771-8992/107-702	1
8 m	771-8992/107-801	771-8992/107-802	1



Connecting cable ▶ Plug - Free end ▶ Strip length: 35 mm			
Total length	Connector color / Strain relief color		PU
	black / black	white / white	
1 m	771-8992/207-101	771-8992/207-102	1
2 m	771-8992/207-201	771-8992/207-202	1
3 m	771-8992/207-301	771-8992/207-302	1
4 m	771-8992/207-401	771-8992/207-402	1
5 m	771-8992/207-501	771-8992/207-502	1
6 m	771-8992/207-601	771-8992/207-602	1
7 m	771-8992/207-701	771-8992/207-702	1
8 m	771-8992/207-801	771-8992/207-802	1

3

Accessories; for all products on this page



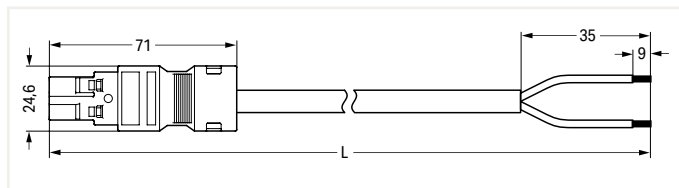
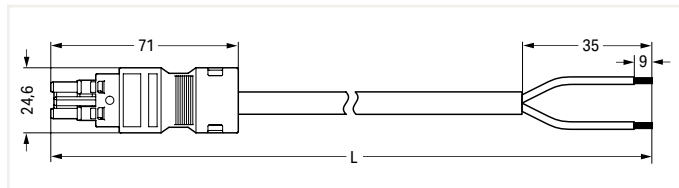
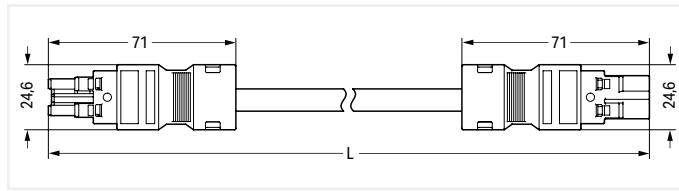
Locking lever; for flying leads; manually operated		
Color	Item Number	PU (SPU)
● black	770-101	100 (25)
○ white	770-121	100 (25)

Locking lever; for flying leads; tool operated		
Color	Item Number	PU (SPU)
● black	770-111	100 (25)
○ white	770-131	100 (25)

PU = Packaging Unit; SPU = Subpackaging Unit; Dimensions in mm

Cable Assembly ▶ WINSTA® MIDI ▶ Serie 771

No. of poles: 2 ▶ Protection class: IP20 ▶ Reaction to fire class per EN 50575: E_{ca} ▶ 2.5 mm² ▶ Coding: A ▶ Marking: L N ▶ Halogen-free ▶ Cable diameter: 8.4 ... 10.6 mm ▶ H05Z1Z1-F 2x2.5 ▶ Standard network application



Interconnecting cable ▶ Socket - Plug

Total length	Connector color / Strain relief color		PU
	black / black	white / white	
1 m	771-8992/017-101	771-8992/017-102	1
2 m	771-8992/017-201	771-8992/017-202	1
3 m	771-8992/017-301	771-8992/017-302	1
4 m	771-8992/017-401	771-8992/017-402	1
5 m	771-8992/017-501	771-8992/017-502	1
6 m	771-8992/017-601	771-8992/017-602	1
7 m	771-8992/017-701	771-8992/017-702	1
8 m	771-8992/017-801	771-8992/017-802	1

Connecting cable ▶ Socket - Free end ▶ Strip length: 35 mm

Total length	Connector color / Strain relief color		PU
	black / black	white / white	
1 m	771-8992/117-101	771-8992/117-102	1
2 m	771-8992/117-201	771-8992/117-202	1
3 m	771-8992/117-301	771-8992/117-302	1
4 m	771-8992/117-401	771-8992/117-402	1
5 m	771-8992/117-501	771-8992/117-502	1
6 m	771-8992/117-601	771-8992/117-602	1
7 m	771-8992/117-701	771-8992/117-702	1
8 m	771-8992/117-801	771-8992/117-802	1

Connecting cable ▶ Plug - Free end ▶ Strip length: 35 mm

Total length	Connector color / Strain relief color		PU
	black / black	white / white	
1 m	771-8992/217-101	771-8992/217-102	1
2 m	771-8992/217-201	771-8992/217-202	1
3 m	771-8992/217-301	771-8992/217-302	1
4 m	771-8992/217-401	771-8992/217-402	1
5 m	771-8992/217-501	771-8992/217-502	1
6 m	771-8992/217-601	771-8992/217-602	1
7 m	771-8992/217-701	771-8992/217-702	1
8 m	771-8992/217-801	771-8992/217-802	1

3

Accessories; for all products on this page



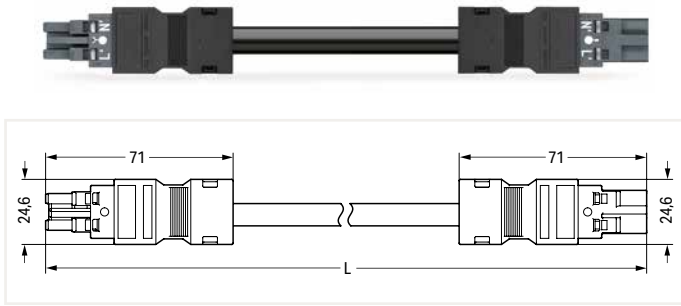
Locking lever; for flying leads; manually operated		
Color	Item Number	PU (SPU)
● black	770-101	100 (25)
○ white	770-121	100 (25)

Locking lever; for flying leads; tool operated		
Color	Item Number	PU (SPU)
● black	770-111	100 (25)
○ white	770-131	100 (25)

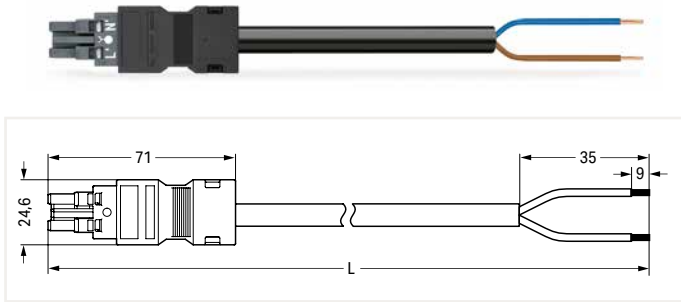
PU = Packaging Unit; SPU = Subpackaging Unit; Dimensions in mm

Cable Assembly ▶ WINSTA® MIDI ▶ Serie 771

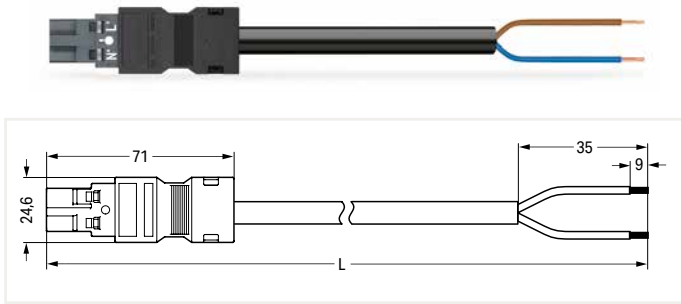
No. of poles: 2 ▶ Protection class: IP20 ▶ Reaction to fire class per EN 50575: E_{ca} ▶ 2.5 mm² ▶ Coding: L ▶ Marking: L' N' ▶ PVC ▶ Cable diameter: 8.4 ... 10.6 mm ▶ H05VV-F 2x2.5 ▶ Emergency power supply



Interconnecting cable ▶ Socket - Plug			
Total length	Connector color / Strain relief color		PU
	dark gray / black	dark gray / white	
1 m	771-8982/007-103	771-8982/007-104	1
2 m	771-8982/007-203	771-8982/007-204	1
3 m	771-8982/007-303	771-8982/007-304	1
4 m	771-8982/007-403	771-8982/007-404	1
5 m	771-8982/007-503	771-8982/007-504	1
6 m	771-8982/007-603	771-8982/007-604	1
7 m	771-8982/007-703	771-8982/007-704	1
8 m	771-8982/007-803	771-8982/007-804	1



Connecting cable ▶ Socket - Free end ▶ Strip length: 35 mm			
Total length	Connector color / Strain relief color		PU
	dark gray / black	dark gray / white	
1 m	771-8982/107-103	771-8982/107-104	1
2 m	771-8982/107-203	771-8982/107-204	1
3 m	771-8982/107-303	771-8982/107-304	1
4 m	771-8982/107-403	771-8982/107-404	1
5 m	771-8982/107-503	771-8982/107-504	1
6 m	771-8982/107-603	771-8982/107-604	1
7 m	771-8982/107-703	771-8982/107-704	1
8 m	771-8982/107-803	771-8982/107-804	1



Connecting cable ▶ Plug - Free end ▶ Strip length: 35 mm			
Total length	Connector color / Strain relief color		PU
	dark gray / black	dark gray / white	
1 m	771-8982/207-103	771-8982/207-104	1
2 m	771-8982/207-203	771-8982/207-204	1
3 m	771-8982/207-303	771-8982/207-304	1
4 m	771-8982/207-403	771-8982/207-404	1
5 m	771-8982/207-503	771-8982/207-504	1
6 m	771-8982/207-603	771-8982/207-604	1
7 m	771-8982/207-703	771-8982/207-704	1
8 m	771-8982/207-803	771-8982/207-804	1

3

Accessories; for all products on this page



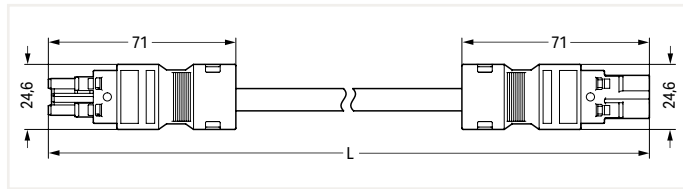
Locking lever; for flying leads; manually operated		
Color	Item Number	PU (SPU)
● black	770-101	100 (25)
○ white	770-121	100 (25)

Locking lever; for flying leads; tool operated		
Color	Item Number	PU (SPU)
● black	770-111	100 (25)
○ white	770-131	100 (25)

PU = Packaging Unit; SPU = Subpackaging Unit; Dimensions in mm

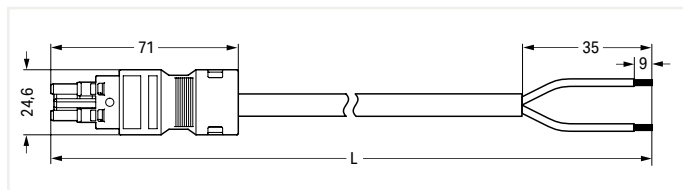
Cable Assembly ▶ WINSTA® MIDI ▶ Serie 771

No. of poles: 2 ▶ Protection class: IP20 ▶ Reaction to fire class per EN 50575: E_{ca} ▶ 2.5 mm² ▶ Coding: L ▶ Marking: L' N' ▶ Halogen-free ▶ Cable diameter: 8.4 ... 10.6 mm ▶ H05Z1Z1-F 2x2.5 ▶ Emergency power supply



Interconnecting cable ▶ Socket - Plug			
Total length	Connector color / Strain relief color		PU
	dark gray / black	dark gray / white	
1 m	771-8982/017-103	771-8982/017-104	1
2 m	771-8982/017-203	771-8982/017-204	1
3 m	771-8982/017-303	771-8982/017-304	1
4 m	771-8982/017-403	771-8982/017-404	1
5 m	771-8982/017-503	771-8982/017-504	1
6 m	771-8982/017-603	771-8982/017-604	1
7 m	771-8982/017-703	771-8982/017-704	1
8 m	771-8982/017-803	771-8982/017-804	1

3



Connecting cable ▶ Socket - Free end ▶ Strip length: 35 mm			
Total length	Connector color / Strain relief color		PU
	dark gray / black	dark gray / white	
1 m	771-8982/117-103	771-8982/117-104	1
2 m	771-8982/117-203	771-8982/117-204	1
3 m	771-8982/117-303	771-8982/117-304	1
4 m	771-8982/117-403	771-8982/117-404	1
5 m	771-8982/117-503	771-8982/117-504	1
6 m	771-8982/117-603	771-8982/117-604	1
7 m	771-8982/117-703	771-8982/117-704	1
8 m	771-8982/117-803	771-8982/117-804	1



Connecting cable ▶ Plug - Free end ▶ Strip length: 35 mm			
Total length	Connector color / Strain relief color		PU
	dark gray / black	dark gray / white	
1 m	771-8982/217-103	771-8982/217-104	1
2 m	771-8982/217-203	771-8982/217-204	1
3 m	771-8982/217-303	771-8982/217-304	1
4 m	771-8982/217-403	771-8982/217-404	1
5 m	771-8982/217-503	771-8982/217-504	1
6 m	771-8982/217-603	771-8982/217-604	1
7 m	771-8982/217-703	771-8982/217-704	1
8 m	771-8982/217-803	771-8982/217-804	1

Accessories; for all products on this page



Locking lever; for flying leads; manually operated		
Color	Item Number	PU (SPU)
● black	770-101	100 (25)
○ white	770-121	100 (25)

Locking lever; for flying leads; tool operated		
Color	Item Number	PU (SPU)
● black	770-111	100 (25)
○ white	770-131	100 (25)

PU = Packaging Unit; SPU = Subpackaging Unit; Dimensions in mm

Pluggable Connector ▶ WINSTA® MIDI ▶ Serie 770

No. of poles: 3 ▶ Number of connection points: 2



- Protected against mismatching and maintenance-free
- Push-in CAGE CLAMP® spring pressure connection technology allows solid conductors to be simply pushed into a unit
- Two-wire connection per pole for loops or bridges
- Additional variable coding is possible

Electrical Data

Coding	A; P; R; S		
Ratings per	IEC/EN 60664-1		
Overvoltage category	III	III	II
Pollution degree	3	2	2
Rated voltage	250 V	-	-
Rated impulse voltage	4 kV	-	-
Rated current	25 A	-	-

Connection Data

Connection technology	Push-in CAGE CLAMP®
Strip length	9 mm / 0.35 inch
Nominal cross section	4 mm ²
Solid conductor	0.5 ... 4 mm ² / 20 ... 12 AWG
Solid conductor, push-in termination	1.5 ... 4 mm ² / 16 ... 12 AWG
Stranded conductor	0.5 ... 2.5 mm ² / 20 ... 14 AWG
Fine-stranded conductor	0.5 ... 4 mm ² / 20 ... 12 AWG
Fine-stranded conductor with ferrule with plastic collar	0.25 ... 1.5 mm ² / 20 ... 16 AWG
Fine-stranded conductor with ferrule without plastic collar	0.25 ... 2.5 mm ² / 20 ... 14 AWG
Fine-stranded conductor with ferrule, push-in termination, from	1.5 mm ² / 16 AWG

Material Data

Insulating material	Polyamide 66 (PA 66)
Clamping spring material	Chrome nickel spring steel (CrNi)
Contact material	Copper or copper alloy; surface-treated

Mechanical Data

Number of mating cycles	200, without resistive load 100, with resistive load $I_N = 25$ A, tested (4 mm ² /AWG 12)
Retention force of a plug-in connection	When locked: > 80 N
Note on protection class	In mated condition with strain relief housing: IP2xC (These compact connectors are not designed for use in open, easily accessible areas.)

Environmental Requirements

Processing temperature	-5 ... +40 °C
Continuous operating temperature	-35 ... +85 °C
Note on continuous service temperature	Insulating parts for temperatures ≤ 105 °C

All connectors for mounted installations (snap-in versions for lighting fixtures or devices, all types of PCB and distribution connectors) are factory-equipped with locking levers to ensure plugs and sockets are securely locked. Additional locking levers are only required for flying leads (plug/socket).

Application note for the U.S. market (USR): Some versions may also be used for current interruption in accordance with the UL certificate in select applications with currents below 16 A and voltages up to 600 V. For further information, please contact your local sales office.

All WINSTA® components are 100% protected against mismatching in terms of:

- plugging different number of poles
- plugging when turned by 180°
- plugging when laterally staggered
- plugging one pole

Coding	Page 474
Marking	Page 499
Shield connection	Page 477
Strain relief	Page 478
Tools	Page 492
Additional information, see "Technical Section"	
Approvals and corresponding ratings, visit www.wago.com	

Pluggable Connector ▶ WINSTA® MIDI ▶ Serie 770

No. of poles: 3 ▶ Number of connection points: 2

strain relief housing, for quick assembly ▶ Female connector/socket ▶ Strip length: 48 mm ▶ Standard network application

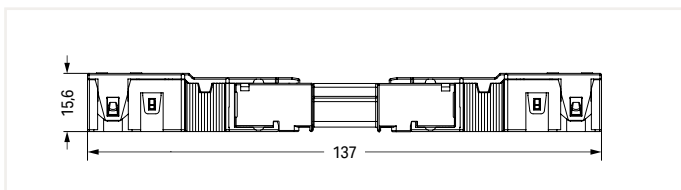
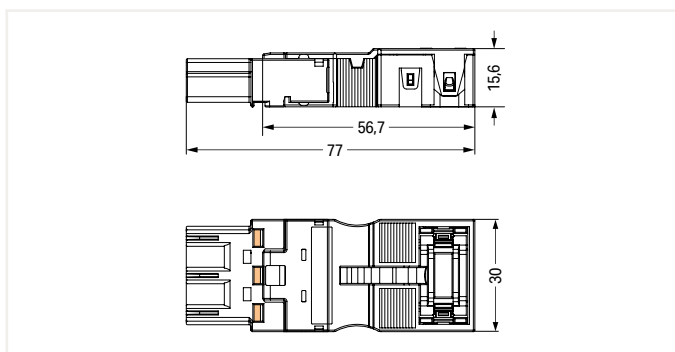
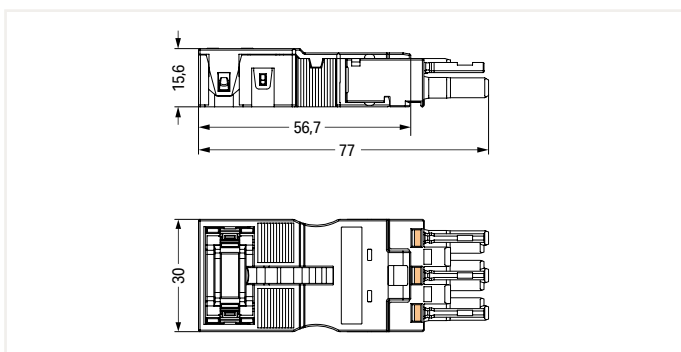
strain relief housing, for quick assembly ▶ Male connector/plug ▶ Strip length: 48 mm ▶ Standard network application



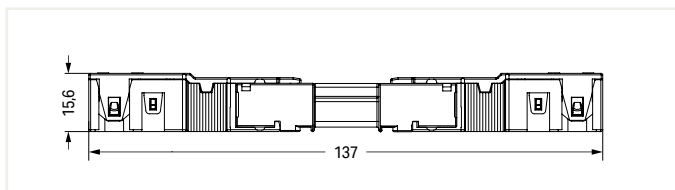
Color	Coding	Marking	Item Number	PU
● black	A	L ⊕ N	770-203/035-000	25
○ white	A	L ⊕ N	770-223/035-050	25

Color	Coding	Marking	Item Number	PU
● black	A	L ⊕ N	770-213/035-000	25
○ white	A	L ⊕ N	770-233/035-050	25

3



Overall length when mated



Overall length when mated

Item-Specific Accessories



Lockout cap; for socket; separable; No. of poles: 12

Color	Item Number	PU
● black	770-201	100
○ white	770-221	100



Lockout cap; for plug; separable; No. of poles: 5

Color	Item Number	PU
● yellow	770-360	100

Accessories; for all products on this page



Locking lever; for flying leads; manually operated		
Color	Item Number	PU (SPU)
● black	770-101	100 (25)
○ white	770-121	100 (25)



Locking lever; for flying leads; tool operated		
Color	Item Number	PU (SPU)
● black	770-111	100 (25)
○ white	770-131	100 (25)



Operating tool; for WAGO connectors WINSTA® MIDI; No. of poles: 3		
Color	Item Number	PU (SPU)
● green	770-383	50 (1)

PU = Packaging Unit; SPU = Subpackaging Unit; Dimensions in mm

Pluggable Connector ▶ WINSTA® MIDI ▶ Serie 770

No. of poles: 3 ▶ Number of connection points: 2

strain relief housing ▶ Female connector/socket ▶ Strip length: 55 mm ▶ Standard network application

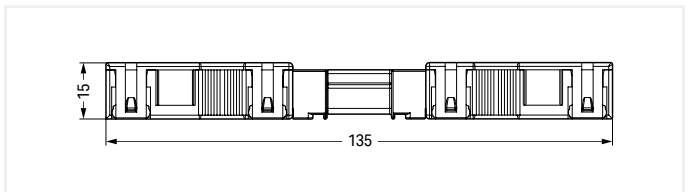
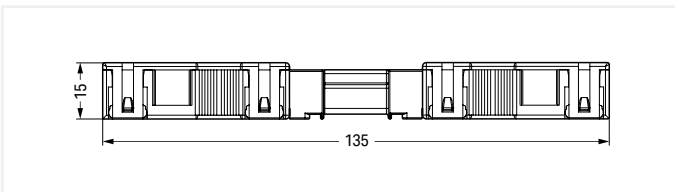
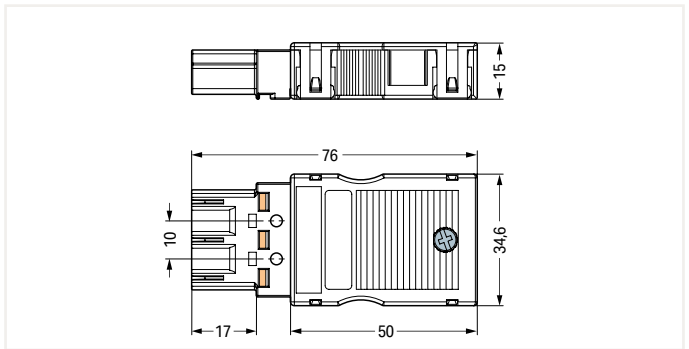
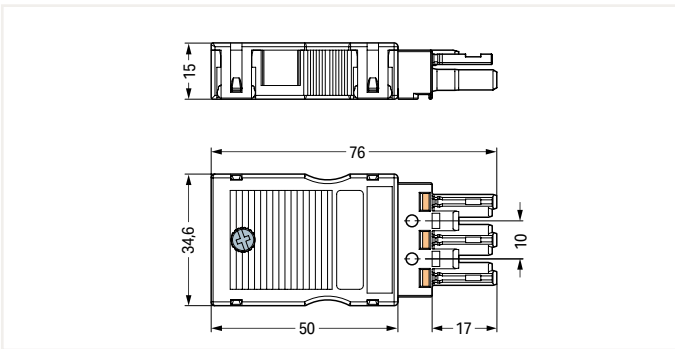
strain relief housing ▶ Male connector/plug ▶ Strip length: 55 mm ▶ Standard network application ▶ Protection class: IP20



3

Color	Coding	Marking	Item Number	PU
● black	A	L ⊕ N	770-103	25
○ white	A	L ⊕ N	770-123	25

Color	Coding	Marking	Item Number	PU
● black	A	L ⊕ N	770-113	25
○ white	A	L ⊕ N	770-133	25



Overall length when mated

Overall length when mated

Item-Specific Accessories

Item-Specific Accessories



Lockout cap; for socket; separable; No. of poles: 12

Color	Item Number	PU
● black	770-201	100
○ white	770-221	100

Lockout cap; for plug; separable; No. of poles: 5

Color	Item Number	PU
● yellow	770-360	100

Accessories; for all products on this page



Locking lever; for flying leads; manually operated

Color	Item Number	PU (SPU)
● black	770-101	100 (25)
○ white	770-121	100 (25)

Locking lever; for flying leads; tool operated

Color	Item Number	PU (SPU)
● black	770-111	100 (25)
○ white	770-131	100 (25)

Operating tool; for WAGO connectors WINSTA® MIDI; No. of poles: 3

Color	Item Number	PU (SPU)
● green	770-383	50 (1)

PU = Packaging Unit; SPU = Subpackaging Unit; Dimensions in mm

Pluggable Connector ▶ WINSTA® MIDI ▶ Serie 770

No. of poles: 3 ▶ Number of connection points: 2

Female connector/socket ▶ Protection class: IP20



Standard network application

Color	Coding	Marking	Item Number	PU
● black	A	L ⊕ N	770-203	100
○ white	A	L ⊕ N	770-223	100

Computer applications (UPS)

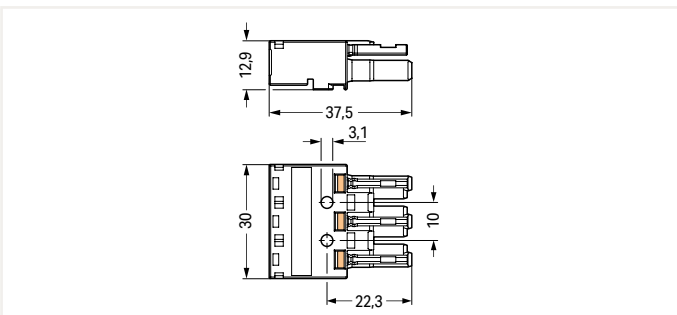
Color	Coding	Marking	Item Number	PU
● red	P	L ⊕ N	770-1303	100

LON Bus

Color	Coding	Marking	Item Number	PU
● orange	R	LON LON S	770-1343	100

Switch function

Color	Coding	Marking	Item Number	PU
● brown	S	1 2 L	770-1363	100



Accessories; for all products on this page



Locking lever; for flying leads; manually operated

Color	Item Number	PU (SPU)
● black	770-101	100 (25)
○ white	770-121	100 (25)



Locking lever; for flying leads; tool operated

Color	Item Number	PU (SPU)
● black	770-111	100 (25)
○ white	770-131	100 (25)



Lockout cap; for socket; separable; No. of poles: 12

Color	Item Number	PU
● black	770-201	100
○ white	770-221	100



Operating tool; for WAGO connectors WINSTA® MIDI;
No. of poles: 3

Color	Item Number	PU (SPU)
● green	770-383	50 (1)



Strain relief housing; Connectable sheathed cable
diameter: 8 ... 11.5 mm; Strip length: 55 mm

Color	Item Number	PU
● black	770-503	50
○ white	770-513	50

PU = Packaging Unit; SPU = Subpackaging Unit; Dimensions in mm

Pluggable Connector ▶ WINSTA® MIDI ▶ Serie 770

No. of poles: 3 ▶ Number of connection points: 2

Male connector/plug ▶ Protection class: IP20



Standard network application

Color	Coding	Marking	Item Number	PU
● black	A	L ⊕ N	770-213	100
○ white	A	L ⊕ N	770-233	100

Computer applications (UPS)

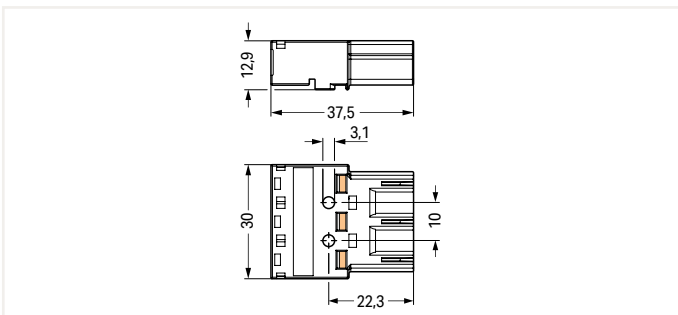
Color	Coding	Marking	Item Number	PU
● red	P	L ⊕ N	770-1313	100

LON Bus

Color	Coding	Marking	Item Number	PU
● orange	R	LON LON S	770-1353	100

Switch function

Color	Coding	Marking	Item Number	PU
● brown	S	1 2 L	770-1373	100



Accessories; for all products on this page



Locking lever; for flying leads; manually operated

Color	Item Number	PU (SPU)
● black	770-101	100 (25)
○ white	770-121	100 (25)



Locking lever; for flying leads; tool operated

Color	Item Number	PU (SPU)
● black	770-111	100 (25)
○ white	770-131	100 (25)



Lockout cap; for plug; separable; No. of poles: 5

Color	Item Number	PU
● yellow	770-360	100



Operating tool; for WAGO connectors WINSTA® MIDI; No. of poles: 3

Color	Item Number	PU (SPU)
● green	770-383	50 (1)



Strain relief housing; Connectable sheathed cable diameter: 8 ... 11.5 mm; Strip length: 55 mm

Color	Item Number	PU
● black	770-503	50
○ white	770-513	50

PU = Packaging Unit; SPU = Subpackaging Unit; Dimensions in mm

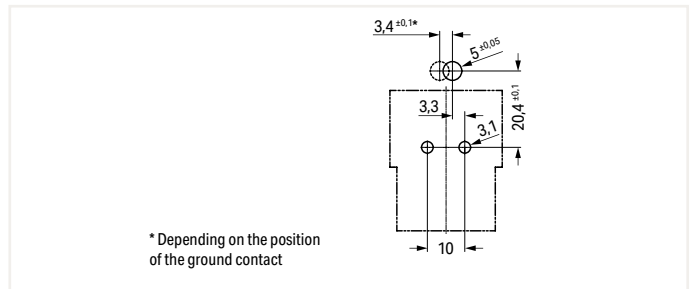
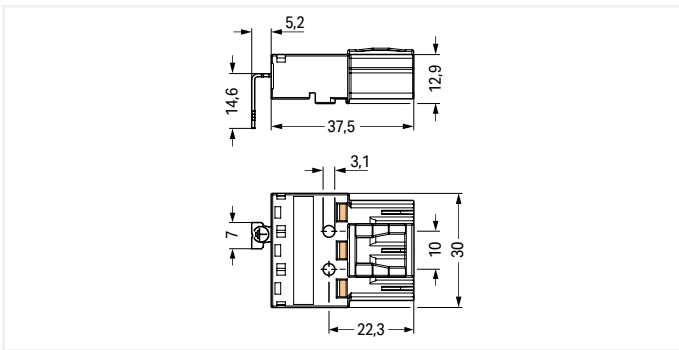
Pluggable Connector ▶ WINSTA® MIDI ▶ Serie 770

No. of poles: 3 ▶ Number of connection points: 2

With direct ground contact ▶ Male connector/plug ▶ Standard network application ▶ Protection class: IP20



Color	Coding	Marking	Item Number	PU
● black	A	L ⊕ N	770-213/002-000	100
○ white	A	L ⊕ N	770-233/002-000	100



3

Accessories; for all products on this page



Locking lever; for flying leads; manually operated		
Color	Item Number	PU (SPU)
● black	770-101	100 (25)
○ white	770-121	100 (25)

Locking lever; for flying leads; tool operated		
Color	Item Number	PU (SPU)
● black	770-111	100 (25)
○ white	770-131	100 (25)

Lockout cap; for plug; separable; No. of poles: 5		
Color	Item Number	PU
● yellow	770-360	100

PU = Packaging Unit; SPU = Subpackaging Unit; Dimensions in mm

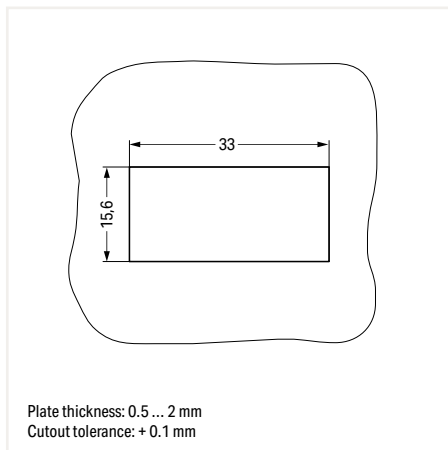
Snap-In Device Connector ▶ WINSTA® MIDI ▶ Serie 770

No. of poles: 3 ▶ Number of connection points: 2 ▶ Protection class: IP20



- Protected against mismatching and maintenance-free
- Push-in CAGE CLAMP® spring pressure connection technology allows solid conductors to be simply pushed into a unit
- Two-wire connection per pole for loops or bridges
- Additional variable coding is possible

3



Electrical Data			
Coding	A; P; R; S		
Ratings per	IEC/EN 60664-1		
Overvoltage category	III	III	II
Pollution degree	3	2	2
Rated voltage	250 V	-	-
Rated impulse voltage	4 kV	-	-
Rated current	25 A	-	-

Connection Data	
Connection technology	Push-in CAGE CLAMP®
Strip length	9 mm / 0.35 inch
Nominal cross section	4 mm²
Solid conductor	0.5 ... 4 mm² / 20 ... 12 AWG
Solid conductor, push-in termination	1.5 ... 4 mm² / 16 ... 12 AWG
Stranded conductor	0.5 ... 2.5 mm² / 20 ... 14 AWG
Fine-stranded conductor	0.5 ... 4 mm² / 20 ... 12 AWG
Fine-stranded conductor with ferrule with plastic collar	0.25 ... 1.5 mm² / 20 ... 16 AWG
Fine-stranded conductor with ferrule without plastic collar	0.25 ... 2.5 mm² / 20 ... 14 AWG
Fine-stranded conductor with ferrule, push-in termination, from	1.5 mm² / 16 AWG

Material Data	
Insulating material	Polyamide 66 (PA 66)
Clamping spring material	Chrome nickel spring steel (CrNi)
Contact material	Copper or copper alloy; surface-treated

Mechanical Data	
Number of mating cycles	200, without resistive load 100, with resistive load $I_N = 25$ A, tested (4 mm²/AWG 12)
Mating force of a plug-in connection	Approx. 20 ... 70 N (depending on pole number)
Unmating force of a plug-in connection	When unlocked: approx. 20 ... 70 N (depending on pole number)
Retention force of a plug-in connection	When locked: > 80 N
Protection class	IP20
Note on protection class	In mated condition: IP2xC (These compact connectors are not designed for use in open, easily accessible areas.)

Environmental Requirements	
Processing temperature	-5 ... +40 °C
Continuous operating temperature	-35 ... +85 °C
Note on continuous service temperature	Insulating parts for temperatures ≤ 105 °C

All connectors for mounted installations (snap-in versions for lighting fixtures or devices, all types of PCB and distribution connectors) are factory-equipped with locking levers to ensure plugs and sockets are securely locked. Additional locking levers are only required for flying leads (plug/socket).

Application note for the U.S. market (USR): Some versions may also be used for current interruption in accordance with the UL certificate in select applications with currents below 16 A and voltages up to 600 V. For further information, please contact your local sales office.

All WINSTA® components are 100% protected against mismatching in terms of:

- plugging different number of poles
- plugging when turned by 180°
- plugging when laterally staggered
- plugging one pole

Coding Page 474

Locking Page 473

Tools Page 492

Additional information, see "Technical Section"

Approvals and corresponding ratings, visit www.wago.com

Snap-In Device Connector ▶ WINSTA® MIDI ▶ Serie 770

No. of poles: 3 ▶ Number of connection points: 2 ▶ Protection class: IP20

Female connector/socket



Standard network application

Color	Coding	Marking	Item Number	PU
● black	A	L ⊕ N	770-703	100
○ white	A	L ⊕ N	770-723	100

Computer applications (UPS)

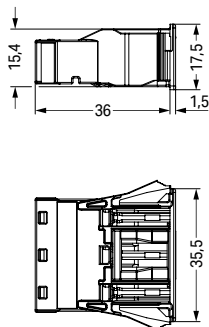
Color	Coding	Marking	Item Number	PU
● red	P	L ⊕ N	770-2303	100

LON Bus

Color	Coding	Marking	Item Number	PU
● orange	R	LON LON S	770-2343	100

Switch function

Color	Coding	Marking	Item Number	PU
● brown	S	1 2 L	770-2363	100



Accessories; for all products on this page



Lockout cap; for socket; separable; No. of poles: 12

Color	Item Number	PU
● black	770-201	100
○ white	770-221	100



Operating tool; for WAGO connectors WINSTA® MIDI; No. of poles: 3

Color	Item Number	PU (SPU)
● green	770-383	50 (1)



Lockout cap; for cutout; No. of poles: 3

Color	Item Number	PU
● black	770-643	100
○ white	770-693	100

PU = Packaging Unit; SPU = Subpackaging Unit; Dimensions in mm

Snap-In Device Connector ▶ WINSTA® MIDI ▶ Serie 770

No. of poles: 3 ▶ Number of connection points: 2 ▶ Protection class: IP20

Male connector/plug

With protruding interface ▶ Female connector/socket ▶ Standard network application



3

Standard network application

Color	Coding	Marking	Item Number	PU
● black	A	L ⊕ N	770-713	100
○ white	A	L ⊕ N	770-733	100

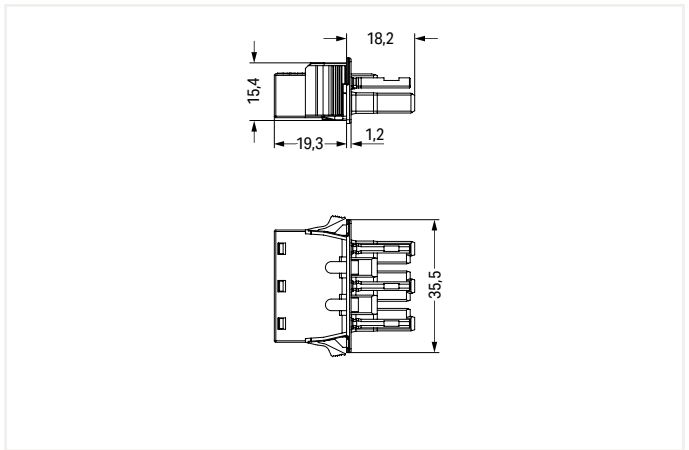
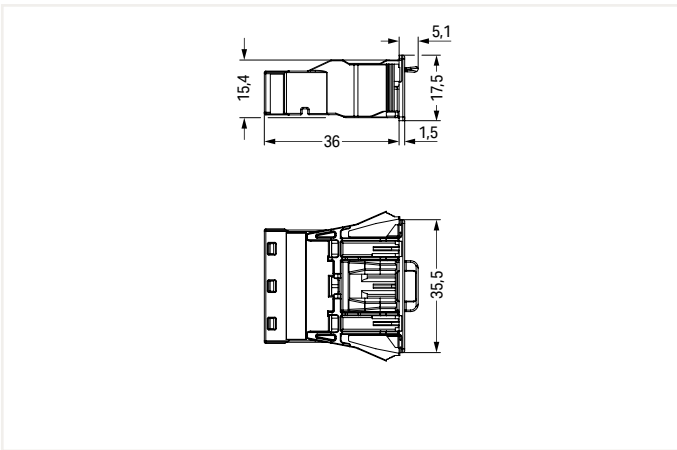
Color	Coding	Marking	Item Number	PU
● black	A	L ⊕ N	770-703/009-000	100
○ white	A	L ⊕ N	770-723/009-000	100

Computer applications (UPS)

Color	Coding	Marking	Item Number	PU
● red	P	L ⊕ N	770-2313	100

LON Bus

Color	Coding	Marking	Item Number	PU
● orange	R	LON LON S	770-2353	100



Item-Specific Accessories



Lockout cap; for plug; separable; No. of poles: 5		
Color	Item Number	PU
● yellow	770-360	100

Item-Specific Accessories



Lockout cap; for socket; separable; No. of poles: 12		
Color	Item Number	PU
● black	770-201	100
○ white	770-221	100

Accessories; for all products on this page



Operating tool; for WAGO connectors WINSTA® MIDI; No. of poles: 3		
Color	Item Number	PU (SPU)
● green	770-383	50 (1)

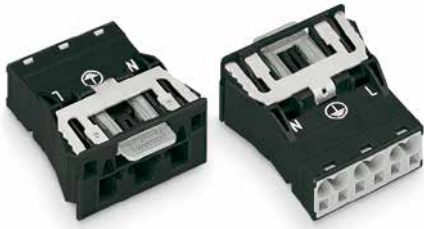
Lockout cap; for cutout; No. of poles: 3		
Color	Item Number	PU
● black	770-643	100
○ white	770-693	100

PU = Packaging Unit; SPU = Subpackaging Unit; Dimensions in mm

Snap-In Device Connector ▶ WINSTA® MIDI ▶ Serie 770

No. of poles: 3 ▶ Number of connection points: 2 ▶ Protection class: IP20

With direct ground contact ▶ Male connector/plug

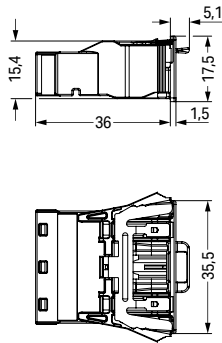


Standard network application

Color	Coding	Marking	Item Number	PU
● black	A	L ⊕ N	770-713/007-000	100
○ white	A	L ⊕ N	770-733/007-000	100

Computer applications (UPS)

Color	Coding	Marking	Item Number	PU
● red	P	L ⊕ N	770-2313/007-000	100



3

Accessories; for all products on this page



Lockout cap; for plug; separable; No. of poles: 5

Color	Item Number	PU
● yellow	770-360	100



Operating tool; for WAGO connectors WINSTA® MIDI; No. of poles: 3

Color	Item Number	PU (SPU)
● green	770-383	50 (1)



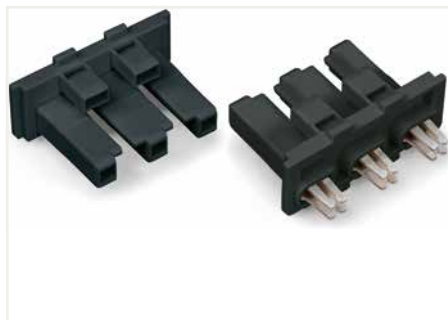
Lockout cap; for cutout; No. of poles: 3

Color	Item Number	PU
● black	770-643	100
○ white	770-693	100

PU = Packaging Unit; SPU = Subpackaging Unit; Dimensions in mm

Pluggable Connector ▶ WINSTA® MIDI ▶ Serie 770

No. of poles: 3 ▶ Standard network application ▶ Protection class: IP20



- Protected against mismatching and maintenance-free
- Push-in CAGE CLAMP® spring pressure connection technology allows solid conductors to be simply pushed into a unit
- Two-wire connection per pole for loops or bridges
- Additional variable coding is possible

3

Electrical Data			
Coding	A		
Ratings per	IEC/EN 60664-1		
Overvoltage category	III	III	II
Pollution degree	3	2	2
Rated voltage	250 V	-	-
Rated impulse voltage	4 kV	-	-
Rated current	25 A	-	-

Material Data	
Insulating material	Polyamide 66 (PA 66)
Clamping spring material	Chrome nickel spring steel (CrNi)
Contact material	Copper or copper alloy; surface-treated

Mechanical Data	
Number of mating cycles	200, without resistive load 100, with resistive load $I_N = 25$ A, tested (4 mm ² /AWG 12)
Mating force of a plug-in connection	Approx. 20 ... 70 N (depending on pole number)
Unmating force of a plug-in connection	When unlocked: approx. 20 ... 70 N (depending on pole number)
Retention force of a plug-in connection	When locked: > 80 N
Protection class	IP20
Note on protection class	In mated condition with strain relief housing: IP2xC (These compact connectors are not designed for use in open, easily accessible areas.)

Environmental Requirements	
Processing temperature	-5 ... +40 °C
Continuous operating temperature	-35 ... +85 °C
Note on continuous service temperature	Insulating parts for temperatures ≤ 105 °C

Application note for the U.S. market (USR): Some versions may also be used for current interruption in accordance with the UL certificate in select applications with currents below 16 A and voltages up to 600 V. For further information, please contact your local sales office.

All WINSTA® components are 100% protected against mismatching in terms of:

- plugging different number of poles
- plugging when turned by 180°
- plugging when laterally staggered
- plugging one pole

Additional information, see "Technical Section"

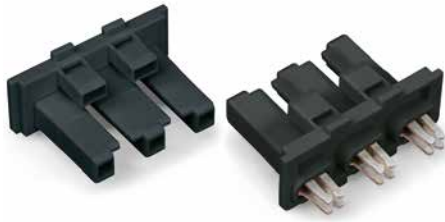
Approvals and corresponding ratings, visit www.wago.com

Pluggable Connector ▶ WINSTA® MIDI ▶ Serie 770

No. of poles: 3 ▶ Standard network application ▶ Protection class: IP20

Female connector/socket

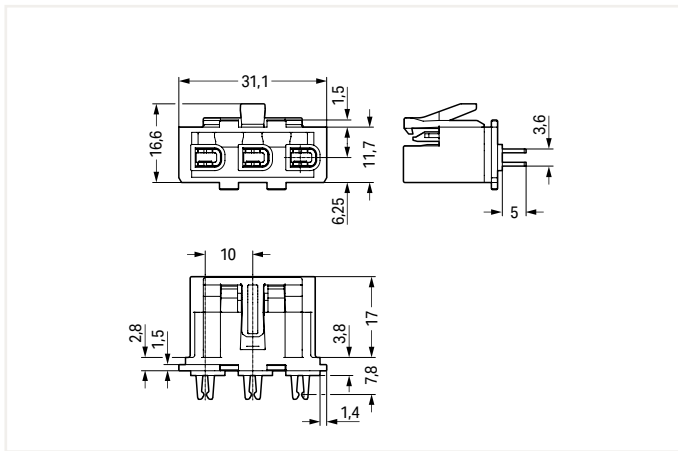
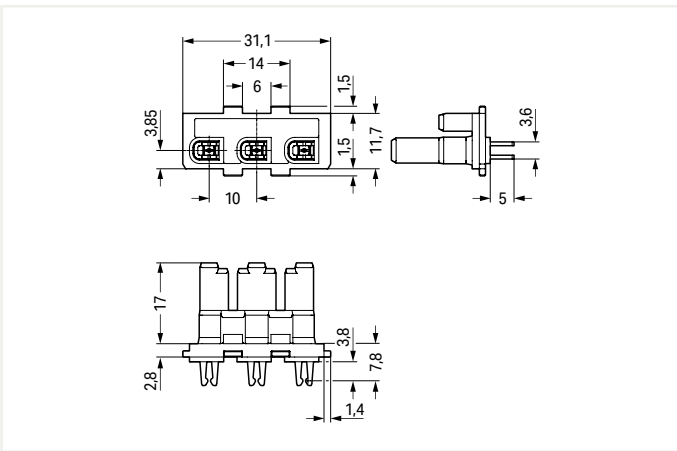
Male connector/plug



Color	Coding	Marking	Item Number	PU
● black	A		770-408	100
○ white	A		770-428	100

Color	Coding	Marking	Item Number	PU
● black	A		770-418	100
○ white	A		770-438	100

3



Item-Specific Accessories

Item-Specific Accessories



Lockout cap; for socket; separable; No. of poles: 12

Color	Item Number	PU
● black	770-201	100
○ white	770-221	100

Lockout cap; for plug; separable; No. of poles: 5

Color	Item Number	PU
● yellow	770-360	100

PU = Packaging Unit; SPU = Subpackaging Unit; Dimensions in mm

Pluggable PCB Connector ▶ WINSTA® MIDI ▶ Serie 770

No. of poles: 3 ▶ Standard network application



- Protected against mismatching and maintenance-free
- Push-in CAGE CLAMP® spring pressure connection technology allows solid conductors to be simply pushed into a unit
- Two-wire connection per pole for loops or bridges
- Additional variable coding is possible

Electrical Data

Coding	A		
Ratings per	IEC/EN 60664-1		
Overvoltage category	III	III	II
Pollution degree	3	2	2
Rated voltage	250 V	-	-
Rated impulse voltage	4 kV	-	-
Rated current	25 A	-	-

Material Data

Insulating material	Polyamide 66 (PA 66)
Clamping spring material	Chrome nickel spring steel (CrNi)
Contact material	Copper or copper alloy; surface-treated

Mechanical Data

Solder pin arrangement	2 in-line solder pins/pole
Solder pin length	3.5 mm
Solder pin dimensions	1 x 0.8 mm
Drilled hole diameter (tolerance)	1.5 (+0.1 ... +0.1) mm
Number of mating cycles	200, without resistive load 100, with resistive load $I_N = 25$ A, tested (4 mm ² /AWG 12)
Mating force of a plug-in connection	Approx. 20 ... 70 N (depending on pole number)
Unmating force of a plug-in connection	When unlocked: approx. 20 ... 70 N (depending on pole number)
Retention force of a plug-in connection	When locked: > 80 N

Environmental Requirements

Processing temperature	-5 ... +40 °C
Continuous operating temperature	-35 ... +85 °C
Note on continuous service temperature	Insulating parts for temperatures ≤ 105 °C

All connectors for mounted installations (snap-in versions for lighting fixtures or devices, all types of PCB and distribution connectors) are factory-equipped with locking levers to ensure plugs and sockets are securely locked. Additional locking levers are only required for flying leads (plug/socket).

Application note for the U.S. market (USR): Some versions may also be used for current interruption in accordance with the UL certificate in select applications with currents below 16 A and voltages up to 600 V. For further information, please contact your local sales office.

All WINSTA® components are 100% protected against mismatching in terms of:

- plugging different number of poles
- plugging when turned by 180°
- plugging when laterally staggered
- plugging one pole

Coding Page 474

Additional information, see "Technical Section"

Approvals and corresponding ratings, visit www.wago.com

Pluggable PCB Connector ▶ WINSTA® MIDI ▶ Serie 770

No. of poles: 3 ▶ Standard network application

Straight ▶ Female connector/socket



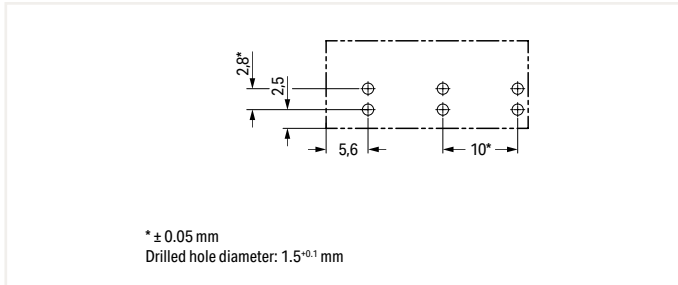
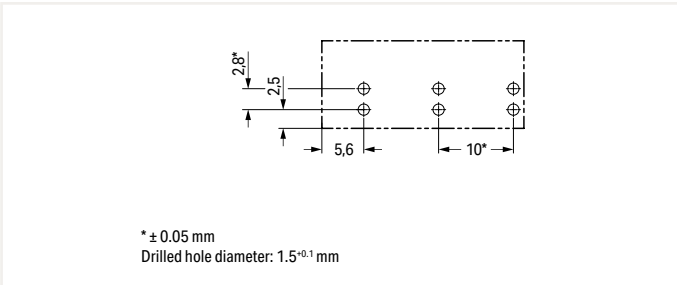
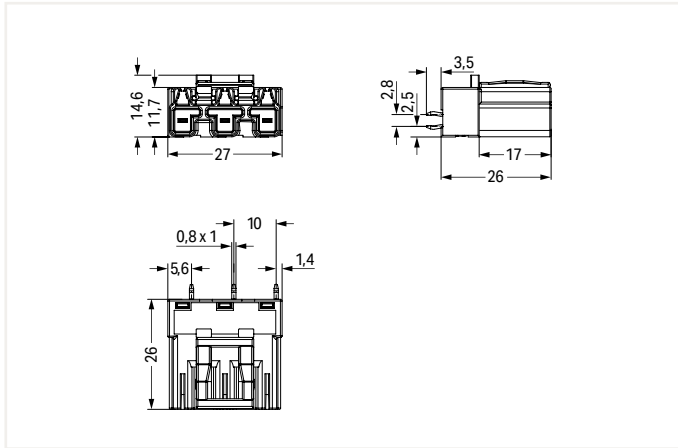
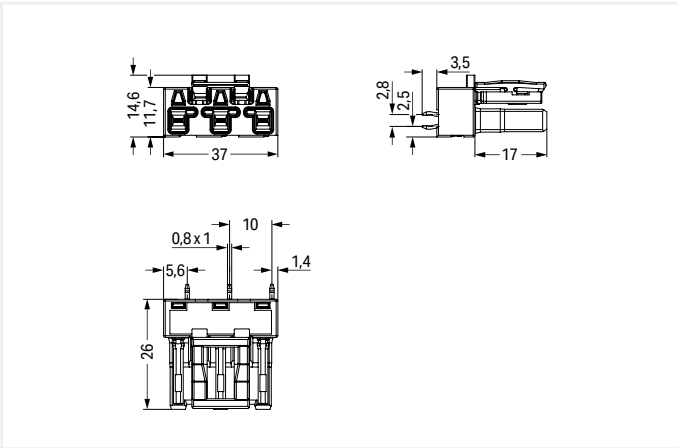
Color	Coding	Marking	Item Number	PU
● black	A	L ⊕ N	770-803	100
○ white	A	L ⊕ N	770-823	100

Straight ▶ Male connector/plug



Color	Coding	Marking	Item Number	PU
● black	A	L ⊕ N	770-813	100
○ white	A	L ⊕ N	770-833	100

3



Item-Specific Accessories



Lockout cap; for socket; separable; No. of poles: 12

Color	Item Number	PU
● black	770-201	100
○ white	770-221	100

Item-Specific Accessories



Lockout cap; for plug; separable; No. of poles: 5

Color	Item Number	PU
● yellow	770-360	100

PU = Packaging Unit; SPU = Subpackaging Unit; Dimensions in mm

Pluggable PCB Connector ▶ WINSTA® MIDI ▶ Serie 770

No. of poles: 3 ▶ Standard network application

Angled ▶ Female connector/socket

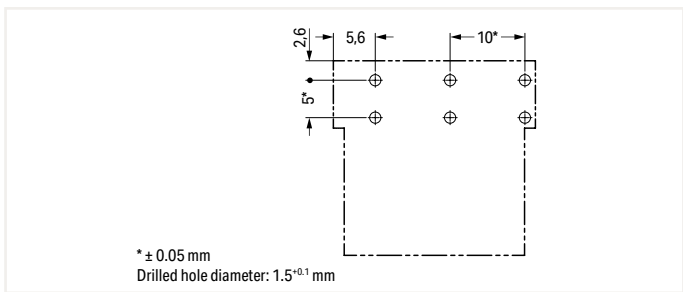
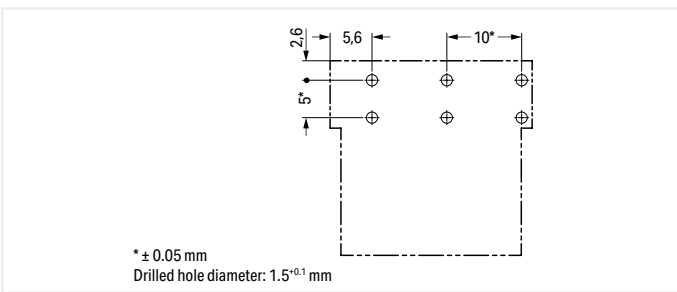
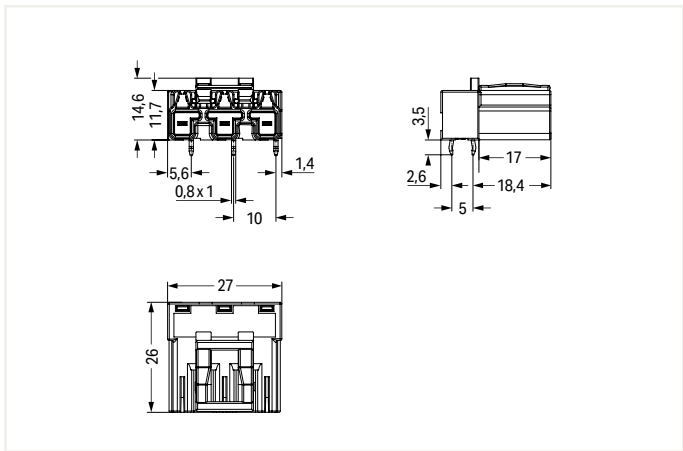
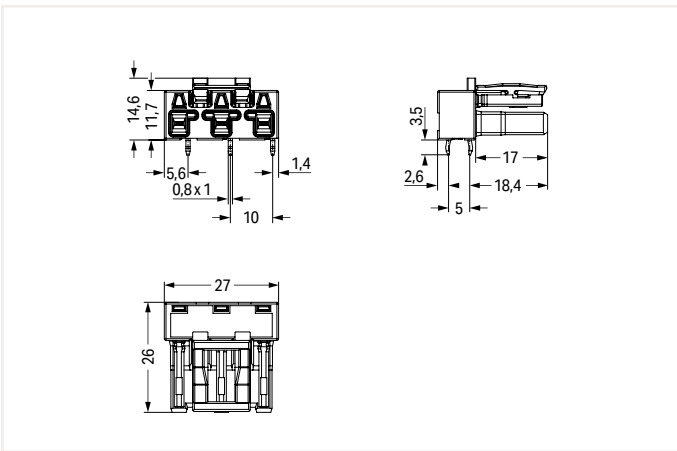
Angled ▶ Male connector/plug



3

Color	Coding	Marking	Item Number	PU
● black	A	L ⊕ N	770-803/011-000	100
○ white	A	L ⊕ N	770-823/011-000	100

Color	Coding	Marking	Item Number	PU
● black	A	L ⊕ N	770-813/011-000	100
○ white	A	L ⊕ N	770-833/011-000	100



Item-Specific Accessories



Lockout cap; for socket; separable; No. of poles: 12

Color	Item Number	PU
● black	770-201	100
○ white	770-221	100

Item-Specific Accessories



Lockout cap; for plug; separable; No. of poles: 5

Color	Item Number	PU
● yellow	770-360	100

PU = Packaging Unit; SPU = Subpackaging Unit; Dimensions in mm

Distribution Connector ▶ WINSTA® MIDI ▶ Serie 770

No. of poles: 3



- Protected against mismatching and maintenance-free
- Additional variable coding is possible

3

Electrical Data			
Coding	A; R; P		
Ratings per	IEC/EN 60664-1		
Overvoltage category	III	III	II
Pollution degree	3	2	2
Rated voltage	250 V	-	-
Rated impulse voltage	4 kV	-	-
Rated current	25 A	-	-

Material Data	
Insulating material	Polyamide 66 (PA 66)
Contact material	Copper or copper alloy; surface-treated

Mechanical Data	
Number of mating cycles	200, without resistive load 100, with resistive load $I_N = 25$ A, tested (4 mm ² /AWG 12)
Mating force of a plug-in connection	approx. 20 ... 70 N (depending on pole number)
Unmating force of a plug-in connection	when unlocked: approx. 20 ... 70 N (depending on pole number)
Retention force of a plug-in connection	When locked: > 80 N
Protection class	IP20
Note on protection class	In mated condition with strain relief housing: IP2xC (These compact connectors are not designed for use in open, easily accessible areas.)

Environmental Requirements	
Processing temperature	-5 ... +40 °C
Continuous operating temperature	-35 ... +85 °C
Note on continuous service temperature	Insulating parts for temperatures ≤ 105 °C

All connectors for mounted installations (snap-in versions for lighting fixtures or devices, all types of PCB and distribution connectors) are factory-equipped with locking levers to ensure plugs and sockets are securely locked. Additional locking levers are only required for flying leads (plug/socket).

At least one snap-in connector **without** a locking lever is required on one side when connecting two lights directly via intermediate coupler.

Application note for the U.S. market (USR): Some versions may also be used for current interruption in accordance with the UL certificate in select applications with currents below 16 A and voltages up to 600 V. For further information, please contact your local sales office.

All WINSTA® components are 100% protected against mismatching in terms of:

- plugging different number of poles
- plugging when turned by 180°
- plugging when laterally staggered
- plugging one pole

Coding Page 474

Additional information, see "Technical Section"

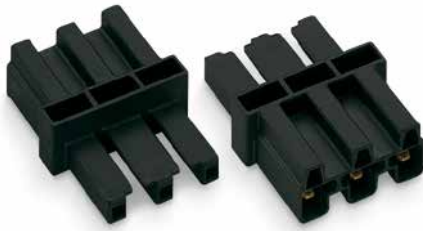
Approvals and corresponding ratings, visit www.wago.com

Distribution Connector ▶ WINSTA® MIDI ▶ Serie 770

No. of poles: 3

Intermediate coupler ▶ Standard network application

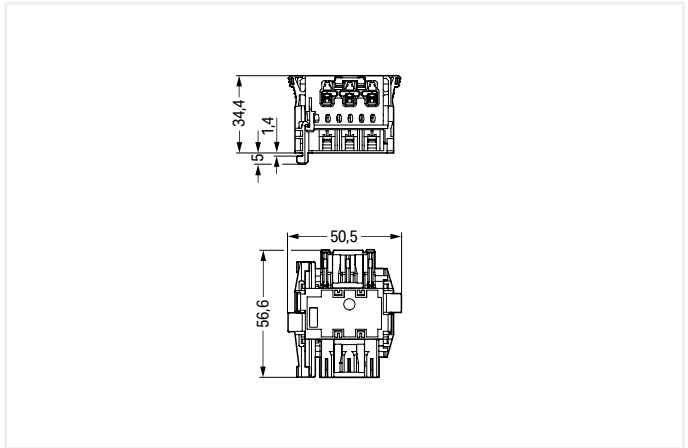
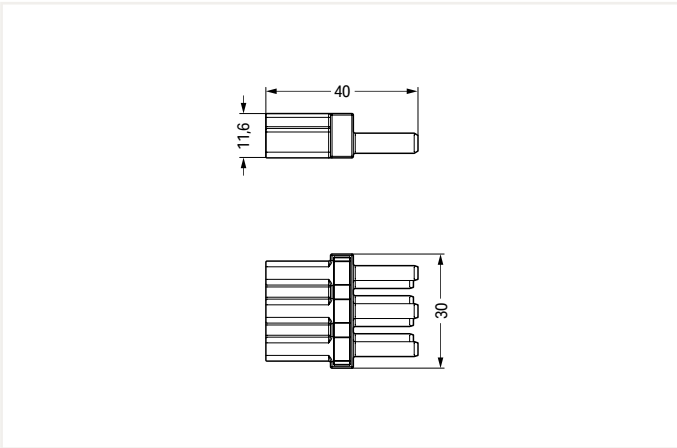
Linect® T-connector ▶ Standard network application



Color	Coding	Marking	Item Number	PU
● black	A		770-603	100
○ white	A		770-653	100

Color	Coding	Marking	Item Number	PU
○ white	A	L ⊕ N	770-6223	25

3



Accessories; for all products on this page



Lockout cap; for socket; separable; No. of poles: 12		
Color	Item Number	PU
● black	770-201	100
○ white	770-221	100

Lockout cap; for plug; separable; No. of poles: 5		
Color	Item Number	PU
● yellow	770-360	100

PU = Packaging Unit; SPU = Subpackaging Unit; Dimensions in mm

Distribution Connector ▶ WINSTA® MIDI ▶ Serie 770

No. of poles: 3

T-distribution connector ▶ Number of locking levers: 2

T-distribution connector ▶ Number of locking levers: 3 ▶ for flying leads



Fig. similar

Standard network application

Color	Coding	Marking	Item Number	PU
● black	A	L ⊕ N	770-606	50
○ white	A	L ⊕ N	770-656	50

Standard network application

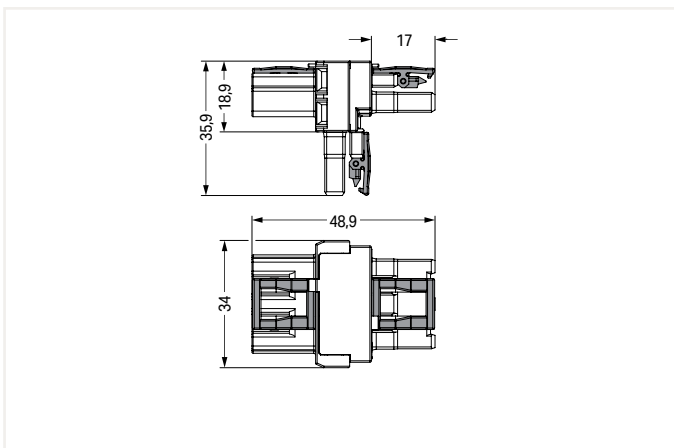
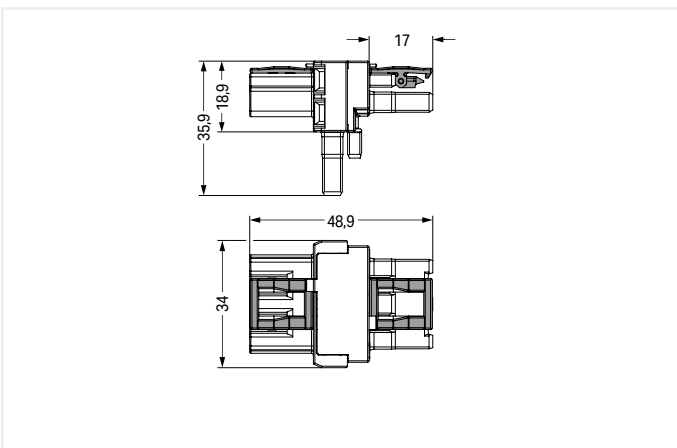
Color	Coding	Marking	Item Number	PU
● black	A	L ⊕ N	770-615	50
○ white	A	L ⊕ N	770-665	50

LON-Bus

Color	Coding	Marking	Item Number	PU
● orange	R	LON LON S	770-667	50

LON Bus ▶ für „Fliegende Verbindungen“

Color	Coding	Marking	Item Number	PU
● orange	R	LON LON S	770-670	50



Accessories; for all products on this page



Lockout cap; for socket; separable; No. of poles: 12

Color	Item Number	PU
● black	770-201	100
○ white	770-221	100

Lockout cap; for plug; separable; No. of poles: 5

Color	Item Number	PU
● yellow	770-360	100

PU = Packaging Unit; SPU = Subpackaging Unit; Dimensions in mm

Distribution Connector ▶ WINSTA® MIDI ▶ Serie 770

No. of poles: 3

h-distribution connector, bi-directional ▶ Number of locking levers: 2 ▶ Standard network application

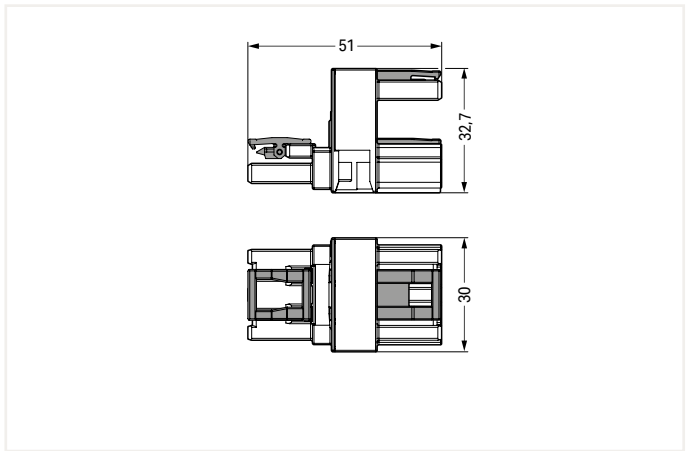
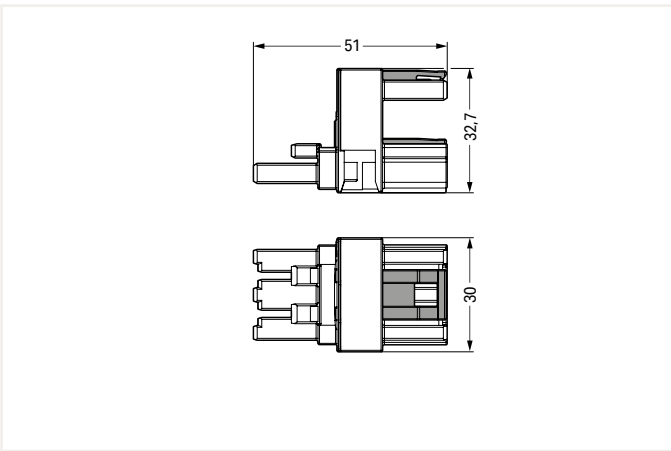
h-distribution connector, bi-directional ▶ Number of locking levers: 3 ▶ Standard network application ▶ for flying leads



Color	Coding	Marking	Item Number	PU
● black	A	L ⊕ N	770-633	50
○ white	A	L ⊕ N	770-683	50

Color	Coding	Marking	Item Number	PU
● black	A	L ⊕ N	770-635	50
○ white	A	L ⊕ N	770-685	50

3



Accessories; for all products on this page



Lockout cap; for socket; separable; No. of poles: 12		
Color	Item Number	PU
● black	770-201	100
○ white	770-221	100



Lockout cap; for plug; separable; No. of poles: 5		
Color	Item Number	PU
● yellow	770-360	100



Mounting plate; for distribution connector (except T-distribution connector); 3-pole		
Color	Item Number	PU
● black	770-623	25
○ white	770-673	25

PU = Packaging Unit; SPU = Subpackaging Unit; Dimensions in mm

Distribution Connector ▶ WINSTA® MIDI ▶ Serie 770

No. of poles: 3

h-distribution connector, unidirectional ▶ Number of locking levers: 2

h-distribution connector, unidirectional ▶ Number of locking levers: 3 ▶ for flying leads



Fig. similar

Standard network application

Color	Coding	Marking	Item Number	PU
● black	A	L ⊕ N	770-634	50
○ white	A	L ⊕ N	770-684	50

Standard network application

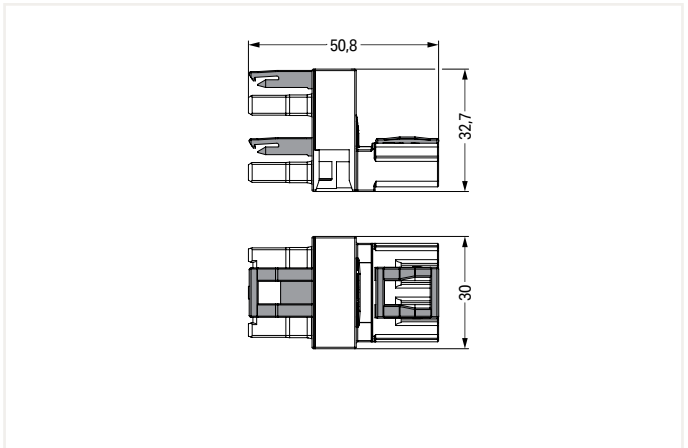
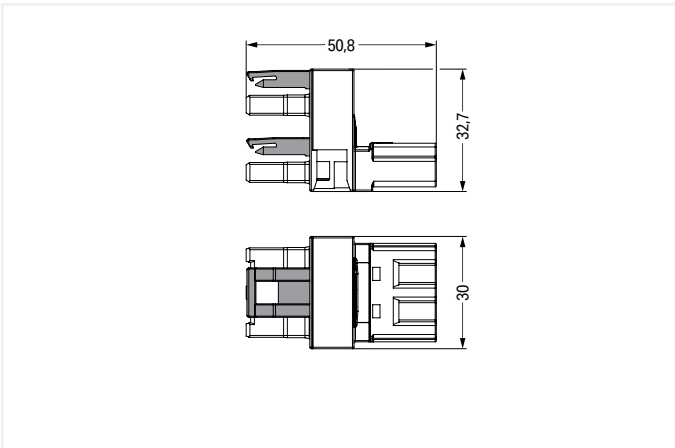
Color	Coding	Marking	Item Number	PU
● black	A	L ⊕ N	770-636	50
○ white	A	L ⊕ N	770-686	50

Computer applications (UPS)

Color	Coding	Marking	Item Number	PU
● red	P	L ⊕ N	770-934	50

Computer applications (UPS) ▶ für „Fliegende Verbindungen“

Color	Coding	Marking	Item Number	PU
● red	P	L ⊕ N	770-936	50



Accessories; for all products on this page



Lockout cap; for socket; separable; No. of poles: 12

Color	Item Number	PU
● black	770-201	100
○ white	770-221	100



Lockout cap; for plug; separable; No. of poles: 5

Color	Item Number	PU
● yellow	770-360	100



Mounting plate; for distribution connector (except T-distribution connector); 3-pole

Color	Item Number	PU
● black	770-623	25
○ white	770-673	25

PU = Packaging Unit; SPU = Subpackaging Unit; Dimensions in mm

Distribution Connector ▶ WINSTA® MIDI ▶ Serie 770

No. of poles: 3

Distribution connector, 3-way



Distribution connector, 5-way ▶ Standard network application



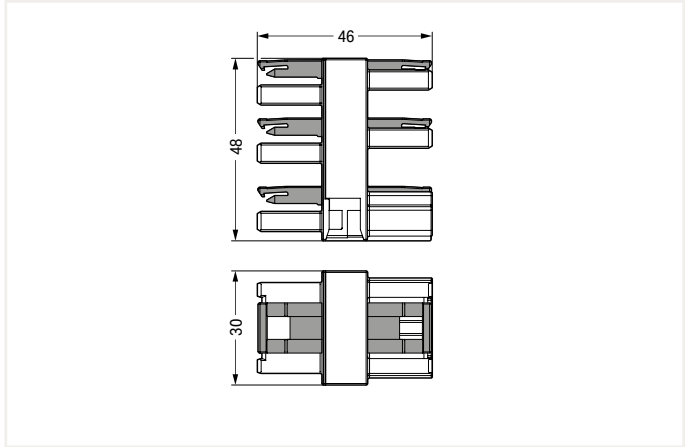
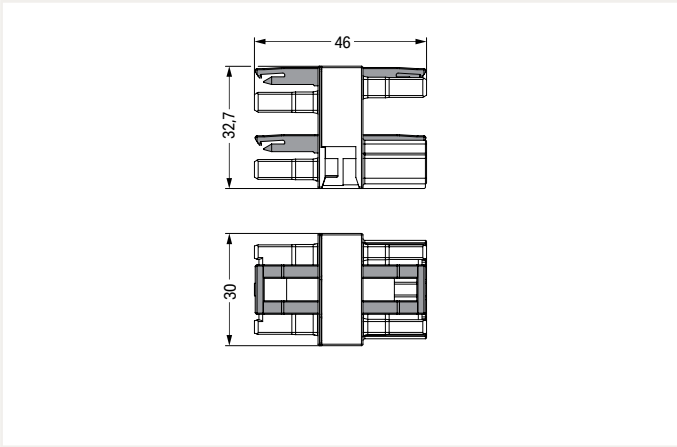
Standard network application

Color	Coding	Marking	Item Number	PU
● black	A	L ⊕ N	770-607	50
○ white	A	L ⊕ N	770-657	50

Color	Coding	Marking	Item Number	PU
● black	A	L ⊕ N	770-608	25
○ white	A	L ⊕ N	770-658	25

Computer applications (UPS)

Color	Coding	Marking	Item Number	PU
● red	P	L ⊕ N	770-907	50



Accessories; for all products on this page



Color	Item Number	PU
● black	770-201	100
○ white	770-221	100



Color	Item Number	PU
● yellow	770-360	100



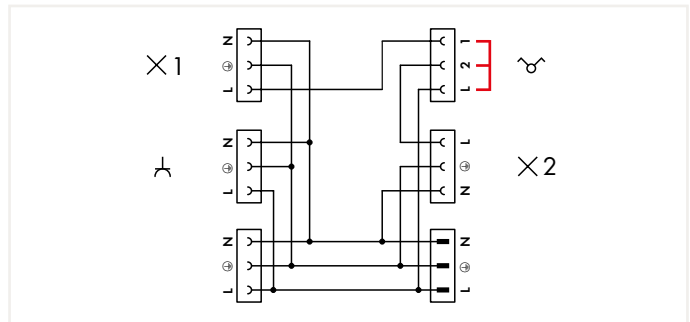
Color	Item Number	PU
● black	770-623	25
○ white	770-673	25

PU = Packaging Unit; SPU = Subpackaging Unit; Dimensions in mm

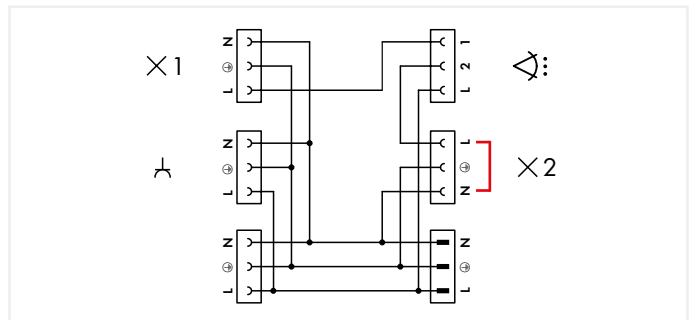
Distribution Connector ▶ WINSTA® MIDI ▶ Serie 770

No. of poles: 3

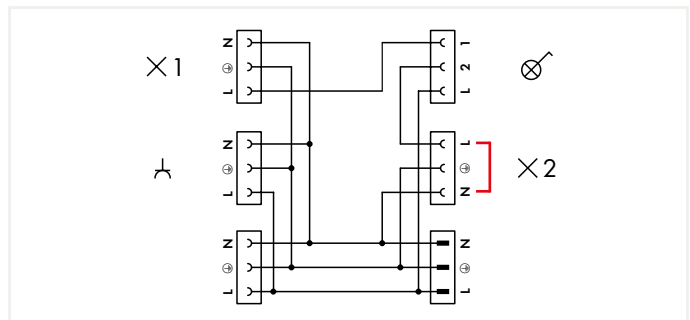
Distribution connector for single-pole switch or series circuits ▶ Standard network application ▶ for single-pole switch and series circuits



Internal circuit of 770-637 Distribution Connector with possible insertion position of 770-1373/14x-000 Shorting Plug.



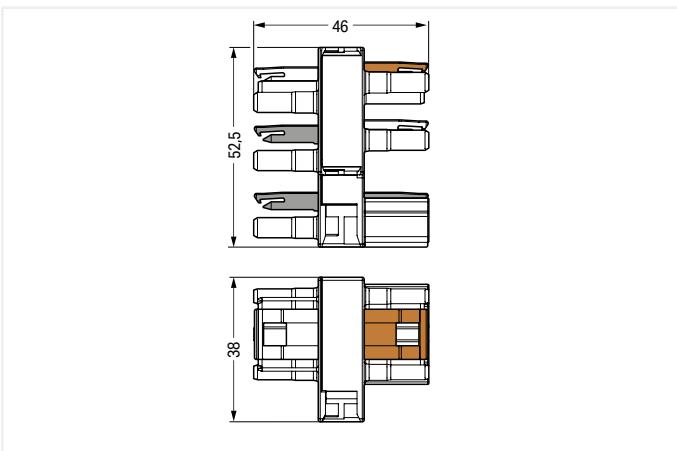
Internal circuit of 770-637 Distribution Connector with insertion position of 770-113/147-000 Shorting Plug for connecting a motion sensor.



Internal circuit of 770-637 Distribution Connector with insertion position of 770-113/147-000 Shorting Plug for connecting a switch with control lamp.

3

Color	Coding	Marking	Item Number	PU
● black	A		770-637	10
○ white	A		770-687	10



Accessories; for all products on this page



Shorting plug; for distribution connector; series and two-way circuits; No. of poles: 3; Coding: A

Marking	Item Number	PU
□	770-113/147-000	25



Shorting plug; for distribution connector; series and two-way circuits; No. of poles: 3; Coding: S

Marking	Item Number	PU
□	770-1373/146-000	25
□	770-1373/147-000	25
□	770-1373/148-000	25
□	770-1373/149-000	25



Lockout cap; for socket; separable; No. of poles: 12

Color	Item Number	PU
● black	770-201	100
○ white	770-221	100



Lockout cap; for plug; separable; No. of poles: 5

Color	Item Number	PU
● yellow	770-360	100



Mounting plate; for distribution connector (except T-distribution connector); 3-pole

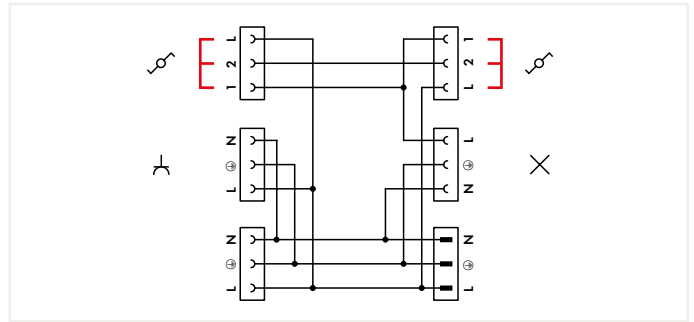
Color	Item Number	PU
● black	770-623	25
○ white	770-673	25

PU = Packaging Unit; SPU = Subpackaging Unit; Dimensions in mm

Distribution Connector ▶ WINSTA® MIDI ▶ Serie 770

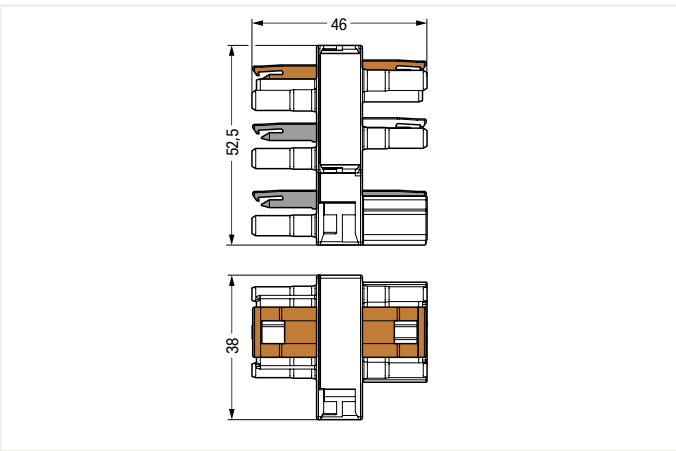
No. of poles: 3

Distribution connector for single-pole switch or two-way circuits ▶ Standard network application ▶ for single-pole switch and two-way circuits



Internal circuit of 770-638 Distribution Connector with possible insertion positions of 770-1373/14x-000 Shorting Plug.

Color	Coding	Marking	Item Number	PU
● black	A		770-638	10
○ white	A		770-688	10



3

Accessories; for all products on this page



Shorting plug; for distribution connector; series and two-way circuits; No. of poles: 3; Coding: S

Marking	Item Number	PU
	770-1373/146-000	25
	770-1373/147-000	25
	770-1373/148-000	25
	770-1373/149-000	25



Lockout cap; for socket; separable; No. of poles: 12

Color	Item Number	PU
● black	770-201	100
○ white	770-221	100



Lockout cap; for plug; separable; No. of poles: 5

Color	Item Number	PU
● yellow	770-360	100



Mounting plate; for distribution connector (except T-distribution connector); 3-pole

Color	Item Number	PU
● black	770-623	25
○ white	770-673	25

PU = Packaging Unit; SPU = Subpackaging Unit; Dimensions in mm

Cable Assembly ▶ WINSTA® MIDI ▶ Serie 771No. of poles: 3 ▶ Protection class: IP20 ▶ Reaction to fire class per EN 50575: E_{ca}

- Protected against mismatching and maintenance-free
- Additional variable coding is possible

3

Electrical Data						
Cross section of single conductor	1.5 mm ²			2.5 mm ²		
Coding	A; P; S			A; P		
Ratings per	IEC/EN 60664-1			IEC/EN 60664-1		
Overvoltage category	III	III	II	III	III	II
Pollution degree	3	2	2	3	2	2
Rated voltage	250 V	-	-	250 V	-	-
Rated impulse voltage	4 kV	-	-	4 kV	-	-
Rated current	16 A	-	-	20 A	-	-

Material Data	
Insulating material	Polyamide 66 (PA 66)
Contact material	Copper or copper alloy; surface-treated
Reaction to fire class per EN 50575	E _{ca}

Mechanical Data	
Number of mating cycles	200, without resistive load 100, with resistive load I _N = 25 A, tested (4 mm ² /AWG 12)
Mating force of a plug-in connection	approx. 20 ... 70 N (depending on pole number)
Unmating force of a plug-in connection	when unlocked: approx. 20 ... 70 N (depending on pole number)
Retention force of a plug-in connection	when locked: > 80N
Protection class	IP20
Note on protection class	In mated condition: IP2xC (These compact connectors are not designed for use in open, easily accessible areas.)

Environmental Requirements	
Processing temperature	-5 ... +40 °C
Continuous operating temperature	-35 ... +85 °C
Note on continuous service temperature	PVC cable for temperatures ≤ 70 °C (including halogen-free) Insulating parts for temperatures ≤ 105 °C

Cables with different fire load are available in the eShop

Application note for the U.S. market (USR): Some versions may also be used for current interruption in accordance with the UL certificate in select applications with currents below 16 A and voltages up to 600 V. For further information, please contact your local sales office.

All WINSTA® components are 100% protected against mismatching in terms of:

- plugging different number of poles
- plugging when turned by 180°
- plugging when laterally staggered
- plugging one pole

Cover Page 474

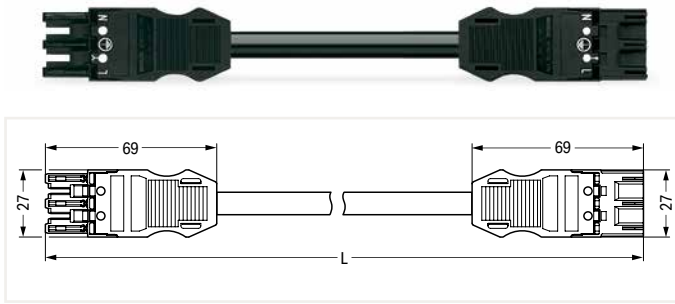
Marking Page 499

Additional information, see "Technical Section"

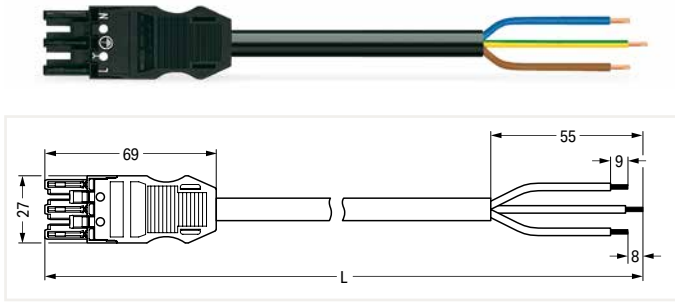
Approvals and corresponding ratings, visit www.wago.com

Cable Assembly ▶ WINSTA® MIDI ▶ Serie 771

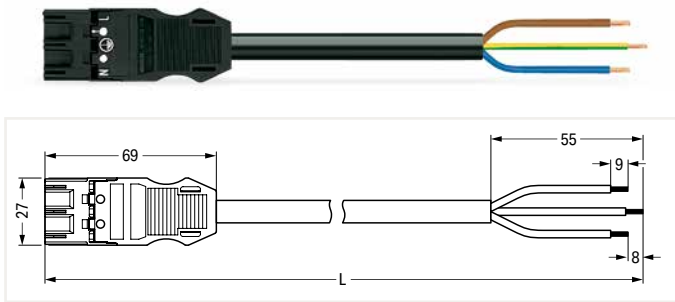
No. of poles: 3 ▶ Protection class: IP20 ▶ Reaction to fire class per EN 50575: E_{ca} ▶ 1.5 mm² ▶ Coding: A ▶ Marking: L ⊕ N ▶ PVC ▶ Cable diameter: 7.4 ... 9.4 mm ▶ H05VV-F 3G1.5 ▶ Standard network application



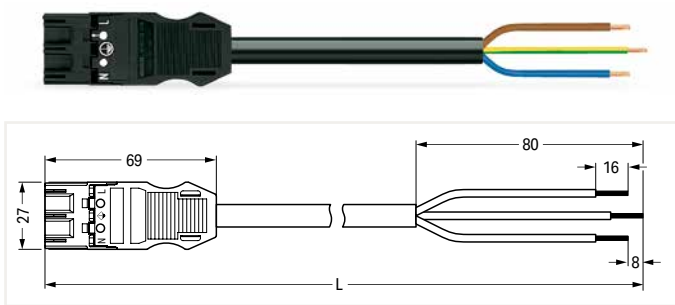
Interconnecting cable ▶ Socket - Plug			
Total length	Connector color / Strain relief color		PU
	black / black	white / white	
1 m	771-9993/006-101	771-9993/006-102	1
2 m	771-9993/006-201	771-9993/006-202	1
3 m	771-9993/006-301	771-9993/006-302	1
4 m	771-9993/006-401	771-9993/006-402	1
5 m	771-9993/006-501	771-9993/006-502	1
6 m	771-9993/006-601	771-9993/006-602	1
7 m	771-9993/006-701	771-9993/006-702	1
8 m	771-9993/006-801	771-9993/006-802	1



Connecting cable ▶ Socket - Free end ▶ Strip length: 55 mm			
Total length	Connector color / Strain relief color		PU
	black / black	white / white	
1 m	771-9993/106-101	771-9993/106-102	1
2 m	771-9993/106-201	771-9993/106-202	1
3 m	771-9993/106-301	771-9993/106-302	1
4 m	771-9993/106-401	771-9993/106-402	1
5 m	771-9993/106-501	771-9993/106-502	1
6 m	771-9993/106-601	771-9993/106-602	1
7 m	771-9993/106-701	771-9993/106-702	1
8 m	771-9993/106-801	771-9993/106-802	1



Connecting cable ▶ Plug - Free end ▶ Strip length: 55 mm			
Total length	Connector color / Strain relief color		PU
	black / black	white / white	
1 m	771-9993/206-101	771-9993/206-102	1
2 m	771-9993/206-201	771-9993/206-202	1
3 m	771-9993/206-301	771-9993/206-302	1
4 m	771-9993/206-401	771-9993/206-402	1
5 m	771-9993/206-501	771-9993/206-502	1
6 m	771-9993/206-601	771-9993/206-602	1
7 m	771-9993/206-701	771-9993/206-702	1
8 m	771-9993/206-801	771-9993/206-802	1



Connecting cable ▶ Plug - Free end ▶ Strip length: 80 mm ▶ for switches and outlets installation			
Total length	Connector color / Strain relief color		PU
	black / black	white / white	
1 m	771-9993/3206-101		1
2 m	771-9993/3206-201		1
3 m	771-9993/3206-301		1
4 m	771-9993/3206-401		1
5 m	771-9993/3206-501		1
6 m	771-9993/3206-601		1
7 m	771-9993/3206-701		1
8 m	771-9993/3206-801		1

Accessories; for all products on this page



Locking lever; for flying leads; manually operated		
Color	Item Number	PU (SPU)
● black	770-101	100 (25)
○ white	770-121	100 (25)

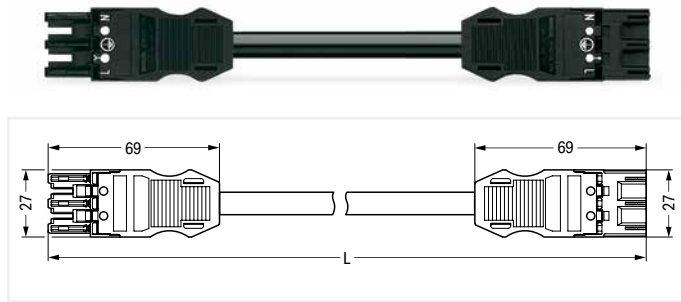
Locking lever; for flying leads; tool operated		
Color	Item Number	PU (SPU)
● black	770-111	100 (25)
○ white	770-131	100 (25)

PU = Packaging Unit; SPU = Subpackaging Unit; Dimensions in mm

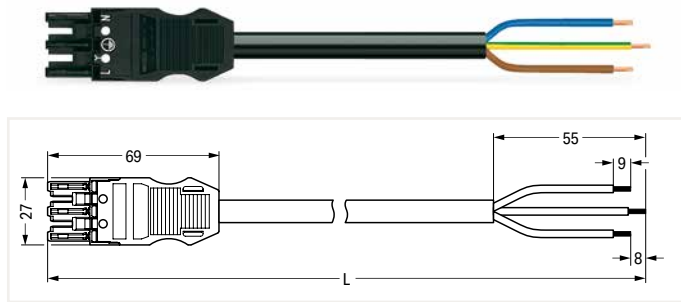
Cable Assembly ▶ WINSTA® MIDI ▶ Serie 771

No. of poles: 3 ▶ Protection class: IP20 ▶ Reaction to fire class per EN 50575: E_{ca} ▶ 1.5 mm² ▶ Co-
ding: A ▶ Marking: L ⊕ N ▶ Halogen-free ▶ Cable diameter: 7.4 ... 9.4 mm ▶ H05Z1Z1-F 3G1.5

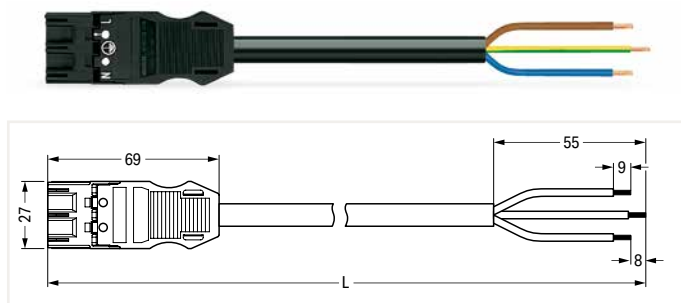
3



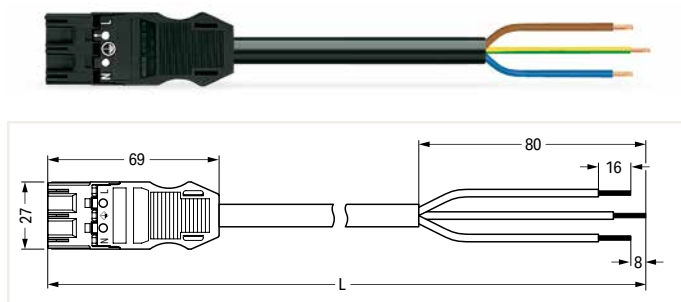
Interconnecting cable ▶ Socket - Plug ▶ Standard network application			
Total length	Connector color / Strain relief color		PU
	black / black	white / white	
1 m	771-9993/016-101	771-9993/016-102	1
2 m	771-9993/016-201	771-9993/016-202	1
3 m	771-9993/016-301	771-9993/016-302	1
4 m	771-9993/016-401	771-9993/016-402	1
5 m	771-9993/016-501	771-9993/016-502	1
6 m	771-9993/016-601	771-9993/016-602	1
7 m	771-9993/016-701	771-9993/016-702	1
8 m	771-9993/016-801	771-9993/016-802	1



Connecting cable ▶ Socket - Free end ▶ Strip length: 55 mm ▶ Standard network application			
Total length	Connector color / Strain relief color		PU
	black / black	white / white	
1 m	771-9993/116-101	771-9993/116-102	1
2 m	771-9993/116-201	771-9993/116-202	1
3 m	771-9993/116-301	771-9993/116-302	1
4 m	771-9993/116-401	771-9993/116-402	1
5 m	771-9993/116-501	771-9993/116-502	1
6 m	771-9993/116-601	771-9993/116-602	1
7 m	771-9993/116-701	771-9993/116-702	1
8 m	771-9993/116-801	771-9993/116-802	1



Connecting cable ▶ Plug - Free end ▶ Strip length: 55 mm ▶ Standard network application			
Total length	Connector color / Strain relief color		PU
	black / black	white / white	
1 m	771-9993/216-101	771-9993/216-102	1
2 m	771-9993/216-201	771-9993/216-202	1
3 m	771-9993/216-301	771-9993/216-302	1
4 m	771-9993/216-401	771-9993/216-402	1
5 m	771-9993/216-501	771-9993/216-502	1
6 m	771-9993/216-601	771-9993/216-602	1
7 m	771-9993/216-701	771-9993/216-702	1
8 m	771-9993/216-801	771-9993/216-802	1



Connecting cable ▶ Plug - Free end ▶ Strip length: 80 mm ▶ for switches and outlets installation			
Total length	Connector color / Strain relief color		PU
	black / black	white / white	
1 m	771-9993/3216-101		1
2 m	771-9993/3216-201		1
3 m	771-9993/3216-301		1
4 m	771-9993/3216-401		1
5 m	771-9993/3216-501		1
6 m	771-9993/3216-601		1
7 m	771-9993/3216-701		1
8 m	771-9993/3216-801		1

Accessories; for all products on this page



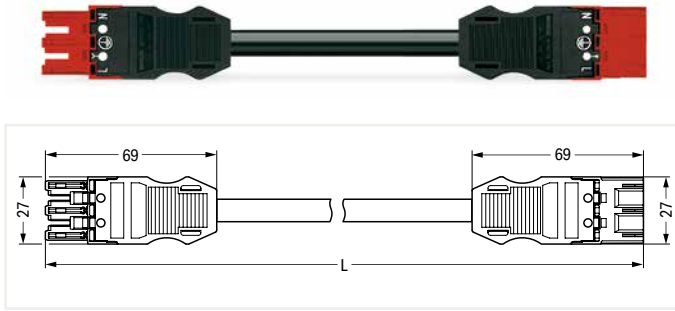
Locking lever; for flying leads; manually operated		
Color	Item Number	PU (SPU)
● black	770-101	100 (25)
○ white	770-121	100 (25)

Locking lever; for flying leads; tool operated		
Color	Item Number	PU (SPU)
● black	770-111	100 (25)
○ white	770-131	100 (25)

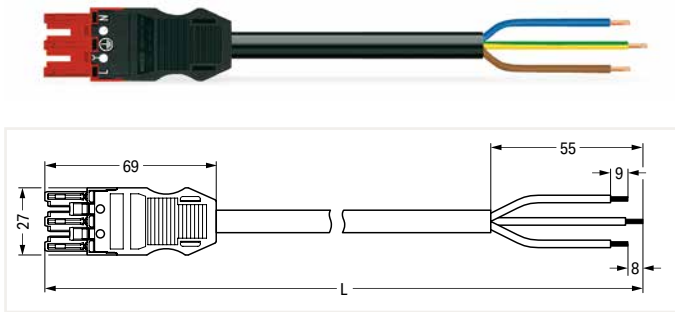
PU = Packaging Unit; SPU = Subpackaging Unit; Dimensions in mm

Cable Assembly ▶ WINSTA® MIDI ▶ Serie 771

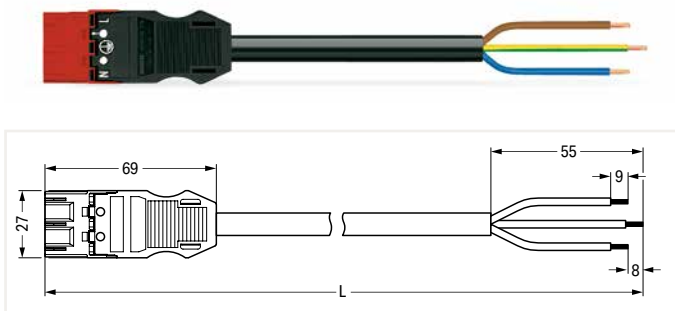
No. of poles: 3 ▶ Protection class: IP20 ▶ Reaction to fire class per EN 50575: E_{ca} ▶ 1.5 mm² ▶ Coding: P ▶ Marking: L ⊕ N ▶ PVC ▶ Cable diameter: 7.4 ... 9.4 mm ▶ H05VV-F 3G1.5 ▶ Computer applications (UPS)



Interconnecting cable ▶ Socket - Plug			
Total length	Connector color / Strain relief color		PU
	red / black	red / white	
1 m	771-9973/006-101	771-9973/006-102	1
2 m	771-9973/006-201	771-9973/006-202	1
3 m	771-9973/006-301	771-9973/006-302	1
4 m	771-9973/006-401	771-9973/006-402	1
5 m	771-9973/006-501	771-9973/006-502	1
6 m	771-9973/006-601	771-9973/006-602	1
7 m	771-9973/006-701	771-9973/006-702	1
8 m	771-9973/006-801	771-9973/006-802	1



Connecting cable ▶ Socket - Free end ▶ Strip length: 55 mm			
Total length	Connector color / Strain relief color		PU
	red / black	red / white	
1 m	771-9973/106-101	771-9973/106-102	1
2 m	771-9973/106-201	771-9973/106-202	1
3 m	771-9973/106-301	771-9973/106-302	1
4 m	771-9973/106-401	771-9973/106-402	1
5 m	771-9973/106-501	771-9973/106-502	1
6 m	771-9973/106-601	771-9973/106-602	1
7 m	771-9973/106-701	771-9973/106-702	1
8 m	771-9973/106-801	771-9973/106-802	1



Connecting cable ▶ Plug - Free end ▶ Strip length: 55 mm			
Total length	Connector color / Strain relief color		PU
	red / black	red / white	
1 m	771-9973/206-101	771-9973/206-102	1
2 m	771-9973/206-201	771-9973/206-202	1
3 m	771-9973/206-301	771-9973/206-302	1
4 m	771-9973/206-401	771-9973/206-402	1
5 m	771-9973/206-501	771-9973/206-502	1
6 m	771-9973/206-601	771-9973/206-602	1
7 m	771-9973/206-701	771-9973/206-702	1
8 m	771-9973/206-801	771-9973/206-802	1

3

Accessories; for all products on this page



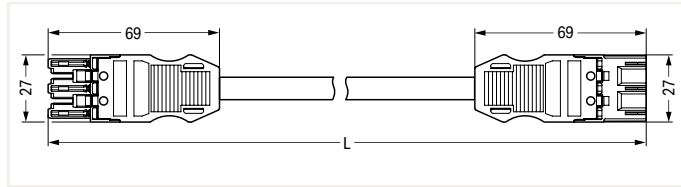
Locking lever; for flying leads; manually operated		
Color	Item Number	PU (SPU)
● black	770-101	100 (25)
○ white	770-121	100 (25)

Locking lever; for flying leads; tool operated		
Color	Item Number	PU (SPU)
● black	770-111	100 (25)
○ white	770-131	100 (25)

PU = Packaging Unit; SPU = Subpackaging Unit; Dimensions in mm

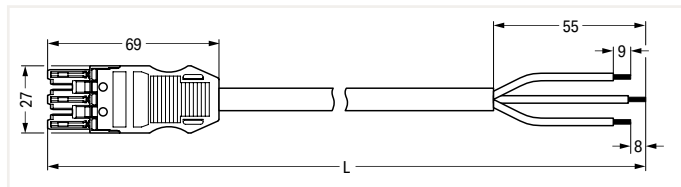
Cable Assembly ▶ WINSTA® MIDI ▶ Serie 771

No. of poles: 3 ▶ Protection class: IP20 ▶ Reaction to fire class per EN 50575: E_{ca} ▶ 1.5 mm² ▶ Coding: P ▶ Marking: L ⊕ N ▶ Halogen-free ▶ Cable diameter: 7.4 ... 9.4 mm ▶ H05Z1Z1-F 3G1.5 ▶ Computer applications (UPS)

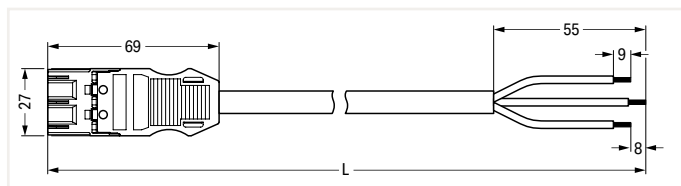


Total length	Connector color / Strain relief color		PU
	red / black	red / white	
1 m	771-9973/016-101	771-9973/016-102	1
2 m	771-9973/016-201	771-9973/016-202	1
3 m	771-9973/016-301	771-9973/016-302	1
4 m	771-9973/016-401	771-9973/016-402	1
5 m	771-9973/016-501	771-9973/016-502	1
6 m	771-9973/016-601	771-9973/016-602	1
7 m	771-9973/016-701	771-9973/016-702	1
8 m	771-9973/016-801	771-9973/016-802	1

3



Total length	Connector color / Strain relief color		PU
	red / black	red / white	
1 m	771-9973/116-101	771-9973/116-102	1
2 m	771-9973/116-201	771-9973/116-202	1
3 m	771-9973/116-301	771-9973/116-302	1
4 m	771-9973/116-401	771-9973/116-402	1
5 m	771-9973/116-501	771-9973/116-502	1
6 m	771-9973/116-601	771-9973/116-602	1
7 m	771-9973/116-701	771-9973/116-702	1
8 m	771-9973/116-801	771-9973/116-802	1



Total length	Connector color / Strain relief color		PU
	red / black	red / white	
1 m	771-9973/216-101	771-9973/216-102	1
2 m	771-9973/216-201	771-9973/216-202	1
3 m	771-9973/216-301	771-9973/216-302	1
4 m	771-9973/216-401	771-9973/216-402	1
5 m	771-9973/216-501	771-9973/216-502	1
6 m	771-9973/216-601	771-9973/216-602	1
7 m	771-9973/216-701	771-9973/216-702	1
8 m	771-9973/216-801	771-9973/216-802	1

Accessories; for all products on this page



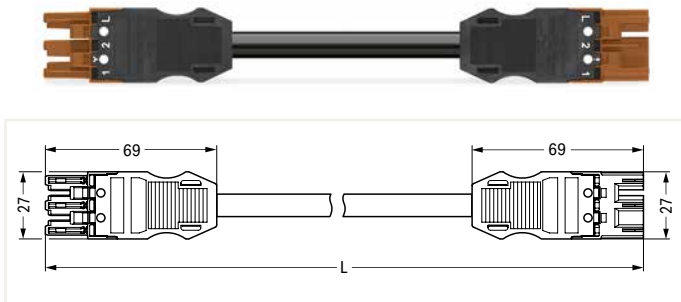
Locking lever; for flying leads; manually operated		
Color	Item Number	PU (SPU)
● black	770-101	100 (25)
○ white	770-121	100 (25)

Locking lever; for flying leads; tool operated		
Color	Item Number	PU (SPU)
● black	770-111	100 (25)
○ white	770-131	100 (25)

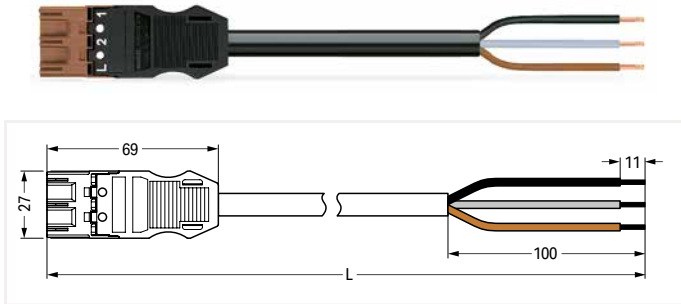
PU = Packaging Unit; SPU = Subpackaging Unit; Dimensions in mm

Cable Assembly ▶ WINSTA® MIDI ▶ Serie 771

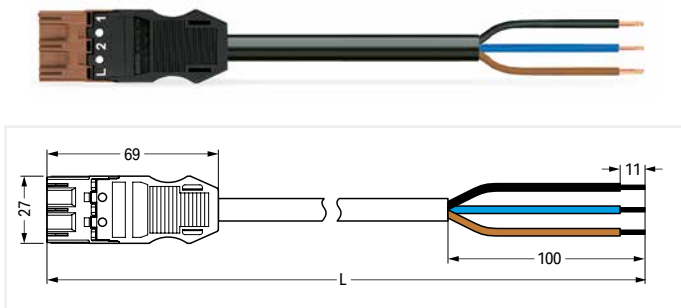
No. of poles: 3 ▶ Protection class: IP20 ▶ Reaction to fire class per EN 50575: E_{ca} ▶ 1.5 mm² ▶ Co-
ding: S ▶ Marking: 1 2 L ▶ PVC ▶ Cable diameter: 7.4 ... 9.4 mm ▶ H05VV-F 3x1.5 ▶ Switch function



Interconnecting cable ▶ Socket - Plug				
Total length	Connector color / Strain relief color			PU
	brown / black			
1 m	771-9973/006-105			1
2 m	771-9973/006-205			1
3 m	771-9973/006-305			1
4 m	771-9973/006-405			1
5 m	771-9973/006-505			1
6 m	771-9973/006-605			1
7 m	771-9973/006-705			1
8 m	771-9973/006-805			1



Connecting cable ▶ Plug - Free end ▶ Strip length: 100 mm ▶ for distribution connector; series and two-way circuits				
Total length	Connector color / Strain relief color			VPE
	brown / black			
1 m	771-9973/206-105			1
2 m	771-9973/206-205			1
3 m	771-9973/206-305			1
4 m	771-9973/206-405			1
5 m	771-9973/206-505			1
6 m	771-9973/206-605			1
7 m	771-9973/206-705			1
8 m	771-9973/206-805			1



Connecting cable ▶ Plug - Free end ▶ Strip length: 100 mm ▶ for distribution connector; motion sensor				
Total length	Connector color / Strain relief color			PU
	brown / black			
1 m	771-9973/206-104			1
2 m	771-9973/206-204			1
3 m	771-9973/206-304			1
4 m	771-9973/206-404			1
5 m	771-9973/206-504			1
6 m	771-9973/206-604			1
7 m	771-9973/206-704			1
8 m	771-9973/206-804			1

3

Accessories; for all products on this page



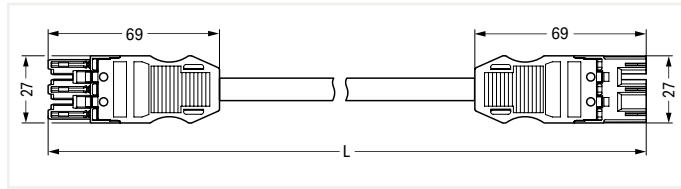
Locking lever; for flying leads; manually operated		
Color	Item Number	PU (SPU)
● black	770-101	100 (25)
○ white	770-121	100 (25)

Locking lever; for flying leads; tool operated		
Color	Item Number	PU (SPU)
● black	770-111	100 (25)
○ white	770-131	100 (25)

PU = Packaging Unit; SPU = Subpackaging Unit; Dimensions in mm

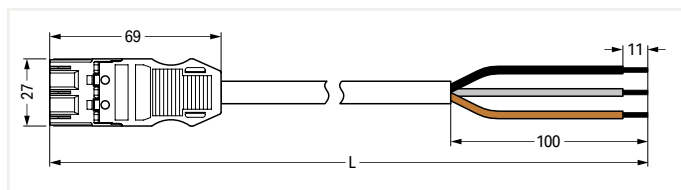
Cable Assembly ▶ WINSTA® MIDI ▶ Serie 771

No. of poles: 3 ▶ Protection class: IP20 ▶ Reaction to fire class per EN 50575: E_{ca} ▶ 1.5 mm² ▶ Coding: S ▶ Marking: 1 2 L ▶ Halogen-free ▶ Cable diameter: 7.4 ... 9.4 mm ▶ H05Z1Z1-F 3x1.5 ▶ Switch function

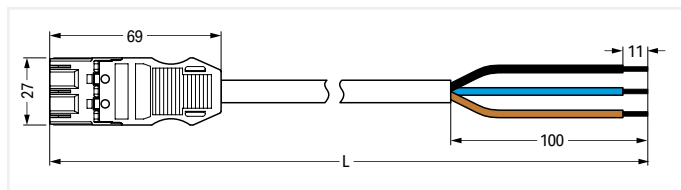


Interconnecting cable ▶ Socket - Plug			
Total length	Connector color / Strain relief color		PU
	brown	black	
1 m	771-9973/016-105		1
2 m	771-9973/016-205		1
3 m	771-9973/016-305		1
4 m	771-9973/016-405		1
5 m	771-9973/016-505		1
6 m	771-9973/016-605		1
7 m	771-9973/016-705		1
8 m	771-9973/016-805		1

3



Connecting cable ▶ Plug - Free end ▶ Strip length: 100 mm ▶ for distribution connector; series and two-way circuits			
Total length	Connector color / Strain relief color		VPE
	brown	black	
1 m	771-9973/216-105		1
2 m	771-9973/216-205		1
3 m	771-9973/216-305		1
4 m	771-9973/216-405		1
5 m	771-9973/216-505		1
6 m	771-9973/216-605		1
7 m	771-9973/216-705		1
8 m	771-9973/216-805		1



Connecting cable ▶ Plug - Free end ▶ Strip length: 100 mm ▶ for distribution connector; motion sensor			
Total length	Connector color / Strain relief color		PU
	brown	black	
1 m	771-9973/216-104		1
2 m	771-9973/216-204		1
3 m	771-9973/216-304		1
4 m	771-9973/216-404		1
5 m	771-9973/216-504		1
6 m	771-9973/216-604		1
7 m	771-9973/216-704		1
8 m	771-9973/216-804		1

Accessories; for all products on this page



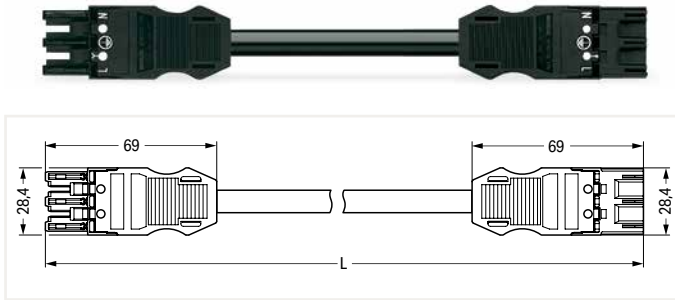
Locking lever; for flying leads; manually operated		
Color	Item Number	PU (SPU)
● black	770-101	100 (25)
○ white	770-121	100 (25)

Locking lever; for flying leads; tool operated		
Color	Item Number	PU (SPU)
● black	770-111	100 (25)
○ white	770-131	100 (25)

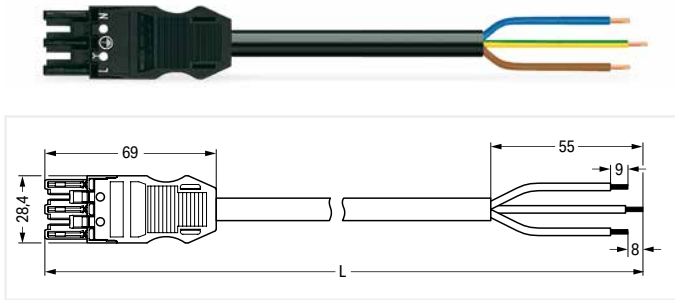
PU = Packaging Unit; SPU = Subpackaging Unit; Dimensions in mm

Cable Assembly ▶ WINSTA® MIDI ▶ Serie 771

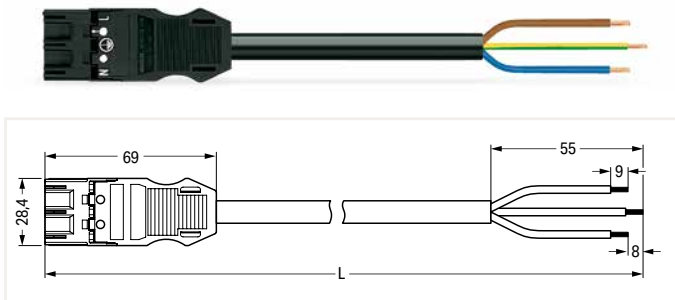
No. of poles: 3 ▶ Protection class: IP20 ▶ Reaction to fire class per EN 50575: E_{ca} ▶ 2.5 mm² ▶ Co-
ding: A ▶ Marking: L ⊕ N ▶ PVC ▶ Cable diameter: 9.2 ... 11.4 mm ▶ H05VV-F 3G2.5



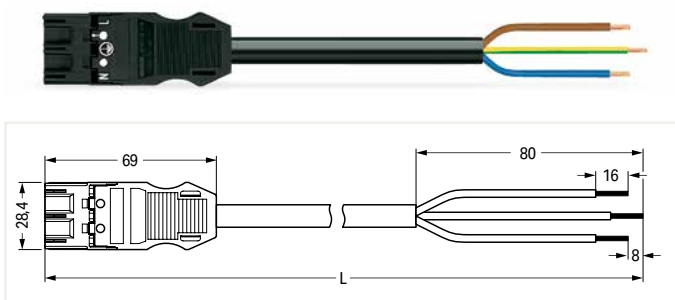
Interconnecting cable ▶ Socket - Plug ▶ Standard network application			
Total length	Connector color / Strain relief color		PU
	black / black	white / white	
1 m	771-9993/007-101	771-9993/007-102	1
2 m	771-9993/007-201	771-9993/007-202	1
3 m	771-9993/007-301	771-9993/007-302	1
4 m	771-9993/007-401	771-9993/007-402	1
5 m	771-9993/007-501	771-9993/007-502	1
6 m	771-9993/007-601	771-9993/007-602	1
7 m	771-9993/007-701	771-9993/007-702	1
8 m	771-9993/007-801	771-9993/007-802	1



Connecting cable ▶ Socket - Free end ▶ Strip length: 55 mm ▶ Standard network application			
Total length	Connector color / Strain relief color		PU
	black / black	white / white	
1 m	771-9993/107-101	771-9993/107-102	1
2 m	771-9993/107-201	771-9993/107-202	1
3 m	771-9993/107-301	771-9993/107-302	1
4 m	771-9993/107-401	771-9993/107-402	1
5 m	771-9993/107-501	771-9993/107-502	1
6 m	771-9993/107-601	771-9993/107-602	1
7 m	771-9993/107-701	771-9993/107-702	1
8 m	771-9993/107-801	771-9993/107-802	1



Connecting cable ▶ Plug - Free end ▶ Strip length: 55 mm ▶ Standard network application			
Total length	Connector color / Strain relief color		PU
	black / black	white / white	
1 m	771-9993/207-101	771-9993/207-102	1
2 m	771-9993/207-201	771-9993/207-202	1
3 m	771-9993/207-301	771-9993/207-302	1
4 m	771-9993/207-401	771-9993/207-402	1
5 m	771-9993/207-501	771-9993/207-502	1
6 m	771-9993/207-601	771-9993/207-602	1
7 m	771-9993/207-701	771-9993/207-702	1
8 m	771-9993/207-801	771-9993/207-802	1



Connecting cable ▶ Strip length: 55 mm ▶ for switches and outlets installation			
Total length	Connector color / Strain relief color		PU
	black / black		
1 m	771-9993/3207-101		1
2 m	771-9993/3207-201		1
3 m	771-9993/3207-301		1
4 m	771-9993/3207-401		1
5 m	771-9993/3207-501		1
6 m	771-9993/3207-601		1
7 m	771-9993/3207-701		1
8 m	771-9993/3207-801		1

3

Accessories; for all products on this page



Locking lever; for flying leads; manually operated		
Color	Item Number	PU (SPU)
● black	770-101	100 (25)
○ white	770-121	100 (25)

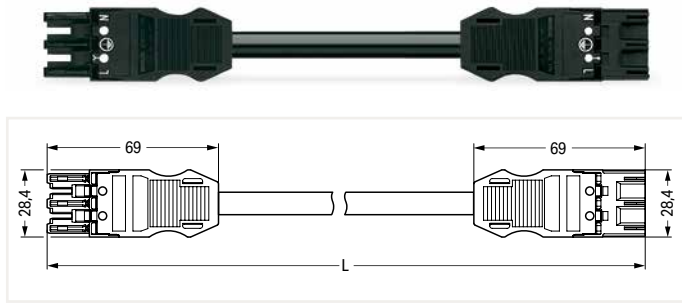
Locking lever; for flying leads; tool operated		
Color	Item Number	PU (SPU)
● black	770-111	100 (25)
○ white	770-131	100 (25)

PU = Packaging Unit; SPU = Subpackaging Unit; Dimensions in mm

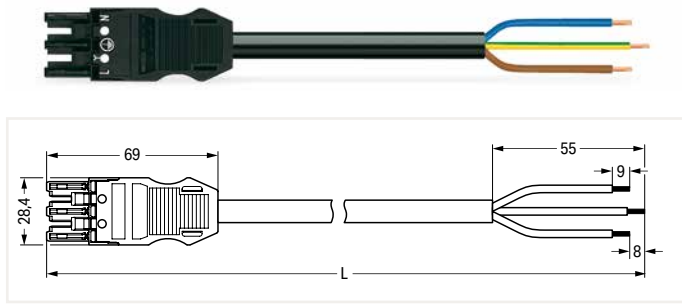
Cable Assembly ▶ WINSTA® MIDI ▶ Serie 771

No. of poles: 3 ▶ Protection class: IP20 ▶ Reaction to fire class per EN 50575: E_{ca} ▶ 2.5 mm² ▶ Co-
ding: A ▶ Marking: L ⊕ N ▶ Halogen-free ▶ Cable diameter: 9.2 ... 11.4 mm ▶ H05Z1Z1-F 3G2.5

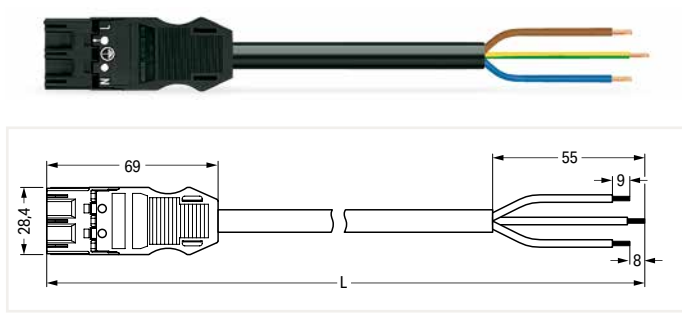
3



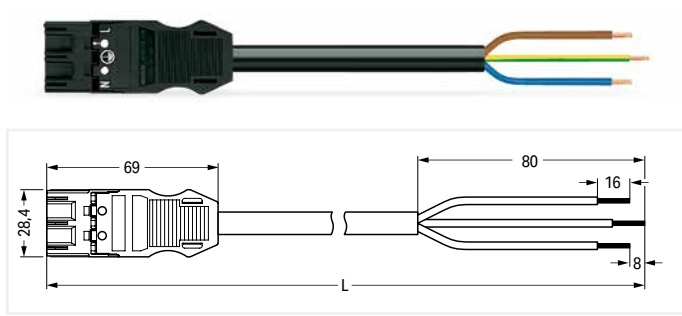
Interconnecting cable ▶ Socket - Plug ▶ Standard network application			
Total length	Connector color / Strain relief color		PU
	black / black	white / white	
1 m	771-9993/017-101	771-9993/017-102	1
2 m	771-9993/017-201	771-9993/017-202	1
3 m	771-9993/017-301	771-9993/017-302	1
4 m	771-9993/017-401	771-9993/017-402	1
5 m	771-9993/017-501	771-9993/017-502	1
6 m	771-9993/017-601	771-9993/017-602	1
7 m	771-9993/017-701	771-9993/017-702	1
8 m	771-9993/017-801	771-9993/017-802	1



Connecting cable ▶ Socket - Free end ▶ Strip length: 55 mm ▶ Standard network application			
Total length	Connector color / Strain relief color		PU
	black / black	white / white	
1 m	771-9993/117-101	771-9993/117-102	1
2 m	771-9993/117-201	771-9993/117-202	1
3 m	771-9993/117-301	771-9993/117-302	1
4 m	771-9993/117-401	771-9993/117-402	1
5 m	771-9993/117-501	771-9993/117-502	1
6 m	771-9993/117-601	771-9993/117-602	1
7 m	771-9993/117-701	771-9993/117-702	1
8 m	771-9993/117-801	771-9993/117-802	1



Connecting cable ▶ Plug - Free end ▶ Strip length: 55 mm ▶ Standard network application			
Total length	Connector color / Strain relief color		PU
	black / black	white / white	
1 m	771-9993/217-101	771-9993/217-102	1
2 m	771-9993/217-201	771-9993/217-202	1
3 m	771-9993/217-301	771-9993/217-302	1
4 m	771-9993/217-401	771-9993/217-402	1
5 m	771-9993/217-501	771-9993/217-502	1
6 m	771-9993/217-601	771-9993/217-602	1
7 m	771-9993/217-701	771-9993/217-702	1
8 m	771-9993/217-801	771-9993/217-802	1



Connecting cable ▶ Strip length: 55 mm ▶ for switches and outlets installation			
Total length	Connector color / Strain relief color		PU
	black / black	white / white	
1 m	771-9993/3217-101		1
2 m	771-9993/3217-201		1
3 m	771-9993/3217-301		1
4 m	771-9993/3217-401		1
5 m	771-9993/3217-501		1
6 m	771-9993/3217-601		1
7 m	771-9993/3217-701		1
8 m	771-9993/3217-801		1

Accessories; for all products on this page



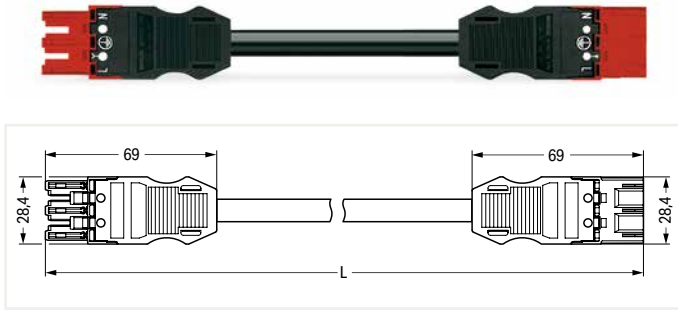
Locking lever; for flying leads; manually operated		
Color	Item Number	PU (SPU)
● black	770-101	100 (25)
○ white	770-121	100 (25)

Locking lever; for flying leads; tool operated		
Color	Item Number	PU (SPU)
● black	770-111	100 (25)
○ white	770-131	100 (25)

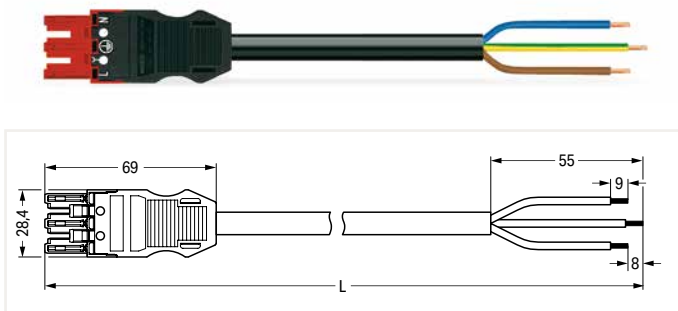
PU = Packaging Unit; SPU = Subpackaging Unit; Dimensions in mm

Cable Assembly ▶ WINSTA® MIDI ▶ Serie 771

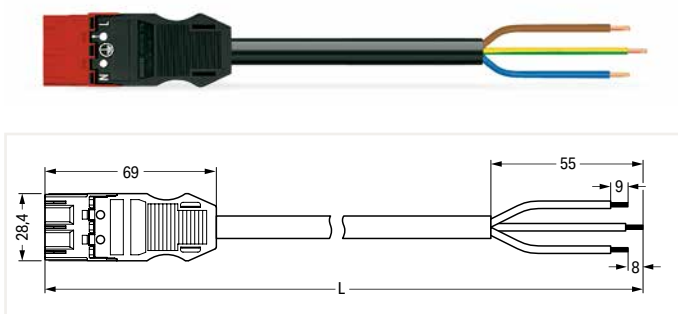
No. of poles: 3 ▶ Protection class: IP20 ▶ Reaction to fire class per EN 50575: E_{ca} ▶ 2.5 mm² ▶ Coding: P ▶ Marking: L ⊕ N ▶ PVC ▶ Cable diameter: 9.2 ... 11.4 mm ▶ H05VV-F 3G2.5 ▶ Computer applications (UPS)



Interconnecting cable ▶ Socket - Plug			
Total length	Connector color / Strain relief color		PU
	red / black	red / white	
1 m	771-9973/007-101	771-9973/007-102	1
2 m	771-9973/007-201	771-9973/007-202	1
3 m	771-9973/007-301	771-9973/007-302	1
4 m	771-9973/007-401	771-9973/007-402	1
5 m	771-9973/007-501	771-9973/007-502	1
6 m	771-9973/007-601	771-9973/007-602	1
7 m	771-9973/007-701	771-9973/007-702	1
8 m	771-9973/007-801	771-9973/007-802	1



Connecting cable ▶ Socket - Free end ▶ Strip length: 55 mm			
Total length	Connector color / Strain relief color		PU
	red / black	red / white	
1 m	771-9973/107-101	771-9973/107-102	1
2 m	771-9973/107-201	771-9973/107-202	1
3 m	771-9973/107-301	771-9973/107-302	1
4 m	771-9973/107-401	771-9973/107-402	1
5 m	771-9973/107-501	771-9973/107-502	1
6 m	771-9973/107-601	771-9973/107-602	1
7 m	771-9973/107-701	771-9973/107-702	1
8 m	771-9973/107-801	771-9973/107-802	1



Connecting cable ▶ Plug - Free end ▶ Strip length: 55 mm			
Total length	Connector color / Strain relief color		PU
	red / black	red / white	
1 m	771-9973/207-101	771-9973/207-102	1
2 m	771-9973/207-201	771-9973/207-202	1
3 m	771-9973/207-301	771-9973/207-302	1
4 m	771-9973/207-401	771-9973/207-402	1
5 m	771-9973/207-501	771-9973/207-502	1
6 m	771-9973/207-601	771-9973/207-602	1
7 m	771-9973/207-701	771-9973/207-702	1
8 m	771-9973/207-801	771-9973/207-802	1

3

Accessories; for all products on this page



Locking lever; for flying leads; manually operated		
Color	Item Number	PU (SPU)
● black	770-101	100 (25)
○ white	770-121	100 (25)

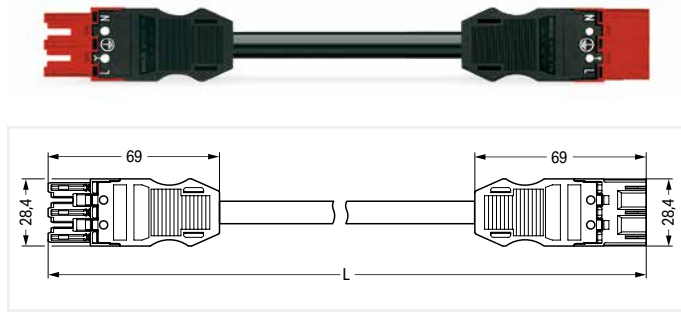
Locking lever; for flying leads; tool operated		
Color	Item Number	PU (SPU)
● black	770-111	100 (25)
○ white	770-131	100 (25)

PU = Packaging Unit; SPU = Subpackaging Unit; Dimensions in mm

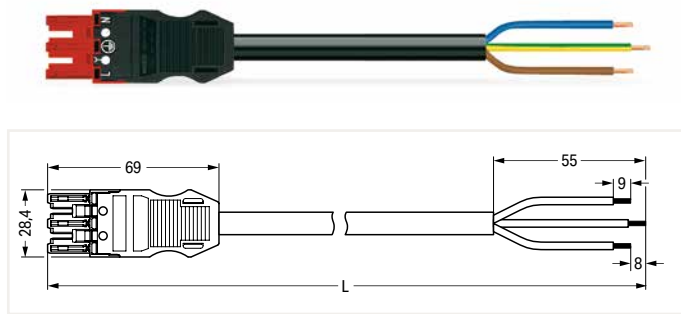
Cable Assembly ▶ WINSTA® MIDI ▶ Serie 771

No. of poles: 3 ▶ Protection class: IP20 ▶ Reaction to fire class per EN 50575: E_{ca} ▶ 2.5 mm² ▶ Co-
ding: P ▶ Marking: L ⊕ N ▶ Halogen-free ▶ Cable diameter: 9.2 ... 11.4 mm ▶ H05Z1Z1-F 3G2.5 ▶
Computer applications (UPS)

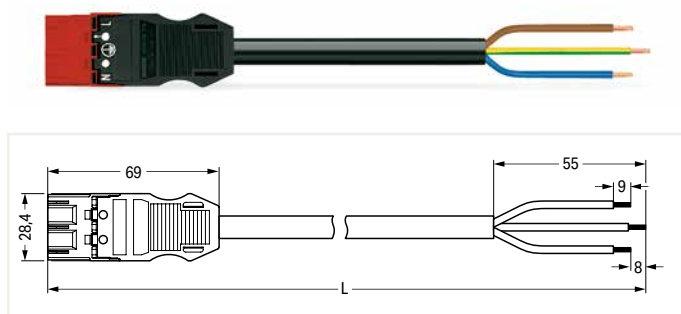
3



Total length	Connector color / Strain relief color		PU
	red / black	red / white	
1 m	771-9973/017-101	771-9973/017-102	1
2 m	771-9973/017-201	771-9973/017-202	1
3 m	771-9973/017-301	771-9973/017-302	1
4 m	771-9973/017-401	771-9973/017-402	1
5 m	771-9973/017-501	771-9973/017-502	1
6 m	771-9973/017-601	771-9973/017-602	1
7 m	771-9973/017-701	771-9973/017-702	1
8 m	771-9973/017-801	771-9973/017-802	1



Total length	Connector color / Strain relief color		PU
	red / black	red / white	
1 m	771-9973/117-101	771-9973/117-102	1
2 m	771-9973/117-201	771-9973/117-202	1
3 m	771-9973/117-301	771-9973/117-302	1
4 m	771-9973/117-401	771-9973/117-402	1
5 m	771-9973/117-501	771-9973/117-502	1
6 m	771-9973/117-601	771-9973/117-602	1
7 m	771-9973/117-701	771-9973/117-702	1
8 m	771-9973/117-801	771-9973/117-802	1



Total length	Connector color / Strain relief color		PU
	red / black	red / white	
1 m	771-9973/217-101	771-9973/217-102	1
2 m	771-9973/217-201	771-9973/217-202	1
3 m	771-9973/217-301	771-9973/217-302	1
4 m	771-9973/217-401	771-9973/217-402	1
5 m	771-9973/217-501	771-9973/217-502	1
6 m	771-9973/217-601	771-9973/217-602	1
7 m	771-9973/217-701	771-9973/217-702	1
8 m	771-9973/217-801	771-9973/217-802	1

Accessories; for all products on this page



Locking lever; for flying leads; manually operated		
Color	Item Number	PU (SPU)
● black	770-101	100 (25)
○ white	770-121	100 (25)

Locking lever; for flying leads; tool operated		
Color	Item Number	PU (SPU)
● black	770-111	100 (25)
○ white	770-131	100 (25)

PU = Packaging Unit; SPU = Subpackaging Unit; Dimensions in mm

Sold & Serviced By:



Toll Free Phone (877) SERV098
www.electromate.com
sales@electromate.com

Cable Assembly ▶ WINSTA® MIDI ▶ Serie 771

No. of poles: 3 ▶ Protection class: IP 2xD ▶ Coding: A ▶ Marking: L ⊕ N ▶ Reaction to fire class per EN 50575: E_{ca} ▶ Standard network application



- Protected against mismatching and maintenance-free
- Push-in CAGE CLAMP® spring pressure connection technology allows solid conductors to be simply pushed into a unit
- Two-wire connection per pole for loops or bridges
- Additional variable coding is possible

Electrical Data

Coding	A			A		
Cross section of single conductor	1.5 mm ²			2.5 mm ²		
Ratings per	IEC/EN 60664-1			IEC/EN 60664-1		
Overtension category	III	III	II	III	III	II
Pollution degree	3	2	2	3	2	2
Rated voltage	250 V	-	-	250 V	-	-
Rated impulse voltage	4 kV	-	-	4 kV	-	-
Rated current	16 A	-	-	20 A	-	-

Material Data

Insulating material	Polyamide 66 (PA 66)
Contact material	Copper or copper alloy; surface-treated
Reaction to fire class per EN 50575	E _{ca}

Mechanical Data

Number of mating cycles	200, without resistive load 100, with resistive load I _N = 25 A, tested (4 mm ² /AWG 12)
Mating force of a plug-in connection	approx. 20 ... 70 N (depending on pole number)
Unmating force of a plug-in connection	when unlocked: approx. 20 ... 70 N (depending on pole number)
Retention force of a plug-in connection	when locked: > 80N
Protection class	IP 2xD
Note on protection class	In mated condition: IP2xC (These compact connectors are not designed for use in open, easily accessible areas.)

Environmental Requirements

Processing temperature	-5 ... +40 °C
Continuous operating temperature	-35 ... +85 °C
Note on continuous service temperature	PVC cable for temperatures ≤ 70 °C (including halogen-free) Insulating parts for temperatures ≤ 105 °C

Cables with different fire load are available in the eShop

Application note for the U.S. market (USR): Some versions may also be used for current interruption in accordance with the UL certificate in select applications with currents below 16 A and voltages up to 600 V. For further information, please contact your local sales office.

All WINSTA® components are 100% protected against mismatching in terms of:

- plugging different number of poles
- plugging when turned by 180°
- plugging when laterally staggered
- plugging one pole

Cover Page 474

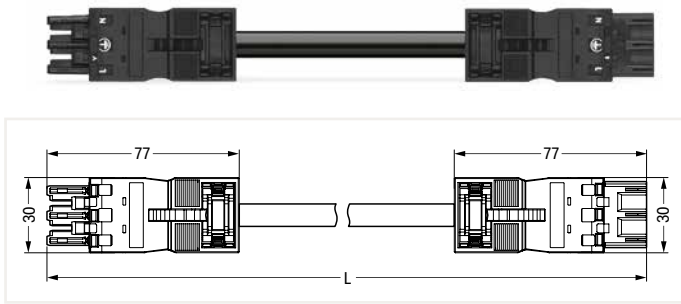
Marking Page 499

Additional information, see "Technical Section"

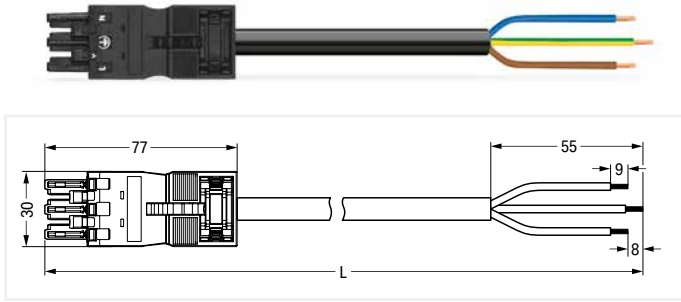
Approvals and corresponding ratings, visit www.wago.com

Cable Assembly ▶ WINSTA® MIDI ▶ Serie 771

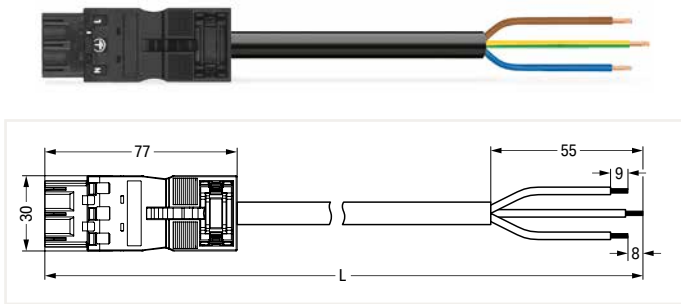
No. of poles: 3 ▶ Protection class: IP 2xD ▶ Coding: A ▶ Marking: L ⊕ N ▶ Reaction to fire class per EN 50575: E_{ca} ▶ Standard network application ▶ 1.5 mm² ▶ PVC ▶ Cable diameter: 7.4 ... 9.4 mm ▶ H05VV-F 3G1.5



Interconnecting cable ▶ Socket - Plug			
Total length	Connector color / Strain relief color		PU
	black / black	white / white	
1 m	771-6993/006-101	771-6993/006-102	1
2 m	771-6993/006-201	771-6993/006-202	1
3 m	771-6993/006-301	771-6993/006-302	1
4 m	771-6993/006-401	771-6993/006-402	1
5 m	771-6993/006-501	771-6993/006-502	1
6 m	771-6993/006-601	771-6993/006-602	1
7 m	771-6993/006-701	771-6993/006-702	1
8 m	771-6993/006-801	771-6993/006-802	1



Connecting cable ▶ Socket - Free end ▶ Strip length: 55 mm			
Total length	Connector color / Strain relief color		PU
	black / black	white / white	
1 m	771-6993/106-101	771-6993/106-102	1
2 m	771-6993/106-201	771-6993/106-202	1
3 m	771-6993/106-301	771-6993/106-302	1
4 m	771-6993/106-401	771-6993/106-402	1
5 m	771-6993/106-501	771-6993/106-502	1
6 m	771-6993/106-601	771-6993/106-602	1
7 m	771-6993/106-701	771-6993/106-702	1
8 m	771-6993/106-801	771-6993/106-802	1



Connecting cable ▶ Plug - Free end ▶ Strip length: 55 mm			
Total length	Connector color / Strain relief color		PU
	black / black	white / white	
1 m	771-6993/206-101	771-6993/206-102	1
2 m	771-6993/206-201	771-6993/206-202	1
3 m	771-6993/206-301	771-6993/206-302	1
4 m	771-6993/206-401	771-6993/206-402	1
5 m	771-6993/206-501	771-6993/206-502	1
6 m	771-6993/206-601	771-6993/206-602	1
7 m	771-6993/206-701	771-6993/206-702	1
8 m	771-6993/206-801	771-6993/206-802	1

3

Accessories; for all products on this page



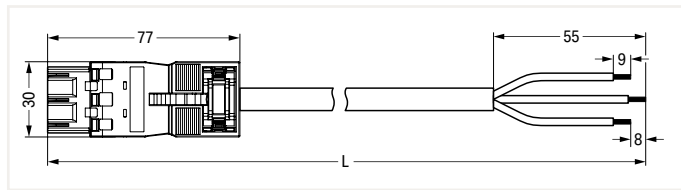
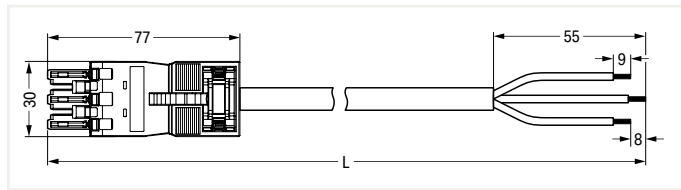
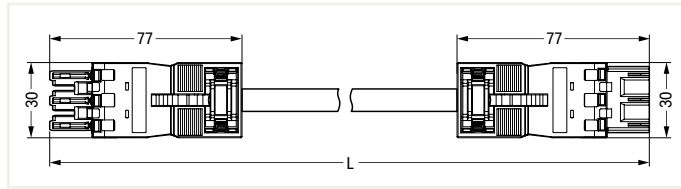
Locking lever; for flying leads; manually operated		
Color	Item Number	PU (SPU)
● black	770-101	100 (25)
○ white	770-121	100 (25)

Locking lever; for flying leads; tool operated		
Color	Item Number	PU (SPU)
● black	770-111	100 (25)
○ white	770-131	100 (25)

PU = Packaging Unit; SPU = Subpackaging Unit; Dimensions in mm

Cable Assembly ▶ WINSTA® MIDI ▶ Serie 771

No. of poles: 3 ▶ Protection class: IP 2xD ▶ Coding: A ▶ Marking: L ⊕ N ▶ Reaction to fire class per EN 50575: E_{ca} ▶ Standard network application ▶ 1.5 mm² ▶ Halogen-free ▶ Cable diameter: 7.4 ... 9.4 mm ▶ H05Z1Z1-F 3G1.5



Interconnecting cable ▶ Socket - Plug			
Total length	Connector color / Strain relief color		PU
	black / black	white / white	
1 m	771-6993/016-101	771-6993/016-102	1
2 m	771-6993/016-201	771-6993/016-202	1
3 m	771-6993/016-301	771-6993/016-302	1
4 m	771-6993/016-401	771-6993/016-402	1
5 m	771-6993/016-501	771-6993/016-502	1
6 m	771-6993/016-601	771-6993/016-602	1
7 m	771-6993/016-701	771-6993/016-702	1
8 m	771-6993/016-801	771-6993/016-802	1

Connecting cable ▶ Socket - Free end ▶ Strip length: 55 mm			
Total length	Connector color / Strain relief color		PU
	black / black	white / white	
1 m	771-6993/116-101	771-6993/116-102	1
2 m	771-6993/116-201	771-6993/116-202	1
3 m	771-6993/116-301	771-6993/116-302	1
4 m	771-6993/116-401	771-6993/116-402	1
5 m	771-6993/116-501	771-6993/116-502	1
6 m	771-6993/116-601	771-6993/116-602	1
7 m	771-6993/116-701	771-6993/116-702	1
8 m	771-6993/116-801	771-6993/116-802	1

Connecting cable ▶ Plug - Free end ▶ Strip length: 55 mm			
Total length	Connector color / Strain relief color		PU
	black / black	white / white	
1 m	771-6993/216-101	771-6993/216-102	1
2 m	771-6993/216-201	771-6993/216-202	1
3 m	771-6993/216-301	771-6993/216-302	1
4 m	771-6993/216-401	771-6993/216-402	1
5 m	771-6993/216-501	771-6993/216-502	1
6 m	771-6993/216-601	771-6993/216-602	1
7 m	771-6993/216-701	771-6993/216-702	1
8 m	771-6993/216-801	771-6993/216-802	1

Accessories; for all products on this page



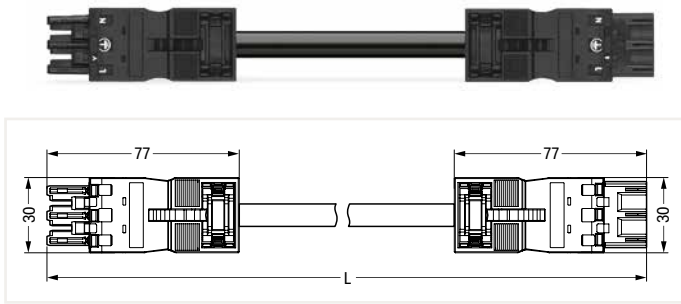
Locking lever; for flying leads; manually operated		
Color	Item Number	PU (SPU)
● black	770-101	100 (25)
○ white	770-121	100 (25)

Locking lever; for flying leads; tool operated		
Color	Item Number	PU (SPU)
● black	770-111	100 (25)
○ white	770-131	100 (25)

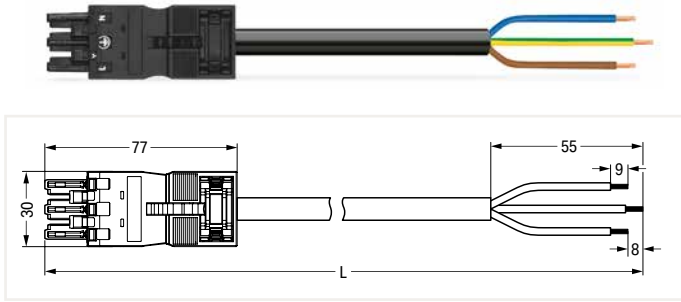
PU = Packaging Unit; SPU = Subpackaging Unit; Dimensions in mm

Cable Assembly ▶ WINSTA® MIDI ▶ Serie 771

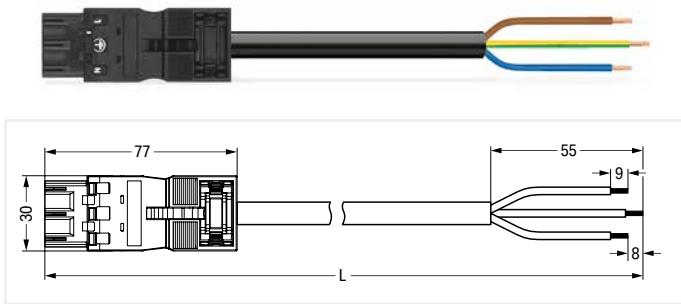
No. of poles: 3 ▶ Protection class: IP 2xD ▶ Coding: A ▶ Marking: L ⊕ N ▶ Reaction to fire class per EN 50575: E_{ca} ▶ Standard network application ▶ 2.5 mm² ▶ PVC ▶ Cable diameter: 9.2 ... 11.4 mm ▶ H05VV-F 3G2.5



Interconnecting cable ▶ Socket - Plug			
Total length	Connector color / Strain relief color		PU
	black / black	white / white	
1 m	771-6993/007-101	771-6993/007-102	1
2 m	771-6993/007-201	771-6993/007-202	1
3 m	771-6993/007-301	771-6993/007-302	1
4 m	771-6993/007-401	771-6993/007-402	1
5 m	771-6993/007-501	771-6993/007-502	1
6 m	771-6993/007-601	771-6993/007-602	1
7 m	771-6993/007-701	771-6993/007-702	1
8 m	771-6993/007-801	771-6993/007-802	1



Connecting cable ▶ Socket - Free end ▶ Strip length: 55 mm			
Total length	Connector color / Strain relief color		PU
	black / black	white / white	
1 m	771-6993/107-101	771-6993/107-102	1
2 m	771-6993/107-201	771-6993/107-202	1
3 m	771-6993/107-301	771-6993/107-302	1
4 m	771-6993/107-401	771-6993/107-402	1
5 m	771-6993/107-501	771-6993/107-502	1
6 m	771-6993/107-601	771-6993/107-602	1
7 m	771-6993/107-701	771-6993/107-702	1
8 m	771-6993/107-801	771-6993/107-802	1



Connecting cable ▶ Plug - Free end ▶ Strip length: 55 mm			
Total length	Connector color / Strain relief color		PU
	black / black	white / white	
1 m	771-6993/207-101	771-6993/207-102	1
2 m	771-6993/207-201	771-6993/207-202	1
3 m	771-6993/207-301	771-6993/207-302	1
4 m	771-6993/207-401	771-6993/207-402	1
5 m	771-6993/207-501	771-6993/207-502	1
6 m	771-6993/207-601	771-6993/207-602	1
7 m	771-6993/207-701	771-6993/207-702	1
8 m	771-6993/207-801	771-6993/207-802	1

3

Accessories; for all products on this page



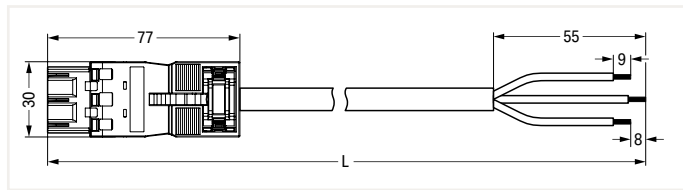
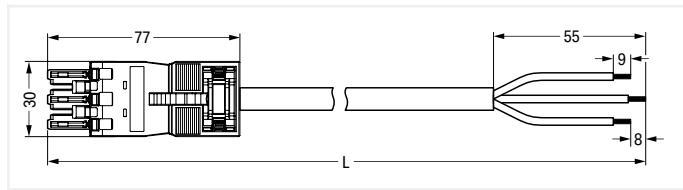
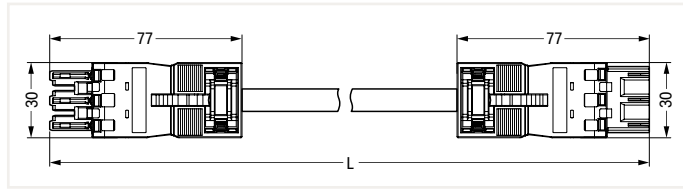
Locking lever; for flying leads; manually operated		
Color	Item Number	PU (SPU)
● black	770-101	100 (25)
○ white	770-121	100 (25)

Locking lever; for flying leads; tool operated		
Color	Item Number	PU (SPU)
● black	770-111	100 (25)
○ white	770-131	100 (25)

PU = Packaging Unit; SPU = Subpackaging Unit; Dimensions in mm

Cable Assembly ▶ WINSTA® MIDI ▶ Serie 771

No. of poles: 3 ▶ Protection class: IP 2xD ▶ Coding: A ▶ Marking: L ⊕ N ▶ Reaction to fire class per EN 50575: E_{ca} ▶ Standard network application ▶ 2.5 mm² ▶ Halogen-free ▶ Cable diameter: 9.2 ... 11.4 mm ▶ H05Z1Z1-F 3G2.5



Interconnecting cable ▶ Socket - Plug			
Total length	Connector color / Strain relief color		PU
	black / black	white / white	
1 m	771-6993/017-101	771-6993/017-102	1
2 m	771-6993/017-201	771-6993/017-202	1
3 m	771-6993/017-301	771-6993/017-302	1
4 m	771-6993/017-401	771-6993/017-402	1
5 m	771-6993/017-501	771-6993/017-502	1
6 m	771-6993/017-601	771-6993/017-602	1
7 m	771-6993/017-701	771-6993/017-702	1
8 m	771-6993/017-801	771-6993/017-802	1

Connecting cable ▶ Socket - Free end ▶ Strip length: 55 mm			
Total length	Connector color / Strain relief color		PU
	black / black	white / white	
1 m	771-6993/117-101	771-6993/117-102	1
2 m	771-6993/117-201	771-6993/117-202	1
3 m	771-6993/117-301	771-6993/117-302	1
4 m	771-6993/117-401	771-6993/117-402	1
5 m	771-6993/117-501	771-6993/117-502	1
6 m	771-6993/117-601	771-6993/117-602	1
7 m	771-6993/117-701	771-6993/117-702	1
8 m	771-6993/117-801	771-6993/117-802	1

Connecting cable ▶ Plug - Free end ▶ Strip length: 55 mm			
Total length	Connector color / Strain relief color		PU
	black / black	white / white	
1 m	771-6993/217-101	771-6993/217-102	1
2 m	771-6993/217-201	771-6993/217-202	1
3 m	771-6993/217-301	771-6993/217-302	1
4 m	771-6993/217-401	771-6993/217-402	1
5 m	771-6993/217-501	771-6993/217-502	1
6 m	771-6993/217-601	771-6993/217-602	1
7 m	771-6993/217-701	771-6993/217-702	1
8 m	771-6993/217-801	771-6993/217-802	1

Accessories; for all products on this page



Locking lever; for flying leads; manually operated		
Color	Item Number	PU (SPU)
● black	770-101	100 (25)
○ white	770-121	100 (25)

Locking lever; for flying leads; tool operated		
Color	Item Number	PU (SPU)
● black	770-111	100 (25)
○ white	770-131	100 (25)

PU = Packaging Unit; SPU = Subpackaging Unit; Dimensions in mm

Pluggable Connector ▶ WINSTA® MIDI ▶ Serie 770

No. of poles: 4 ▶ Number of connection points: 2 ▶ Protection class: IP20



- Protected against mismatching and maintenance-free
- Push-in CAGE CLAMP® spring pressure connection technology allows solid conductors to be simply pushed into a unit
- Two-wire connection per pole for loops or bridges
- Additional variable coding is possible

Electrical Data

Coding	A			Q		
Ratings per	IEC/EN 60664-1			IEC/EN 60664-1		
Overvoltage category	III	III	II	III	III	II
Pollution degree	3	2	2	3	2	2
Rated voltage	400 V	-	-	400 V	-	-
Rated impulse voltage	6 kV	-	-	6 kV	-	-
Rated current	25 A	-	-	32 A	-	-

Connection Data

Connection technology	Push-in CAGE CLAMP®
Strip length	9 mm / 0.35 inch
Nominal cross section	4 mm ²
Solid conductor	0.5 ... 4 mm ² / 20 ... 12 AWG
Solid conductor, push-in termination	1.5 ... 4 mm ² / 16 ... 12 AWG
Stranded conductor	0.5 ... 2.5 mm ² / 20 ... 14 AWG
Fine-stranded conductor	0.5 ... 4 mm ² / 20 ... 12 AWG
Fine-stranded conductor with ferrule with plastic collar	0.25 ... 1.5 mm ² / 20 ... 16 AWG
Fine-stranded conductor with ferrule without plastic collar	0.25 ... 2.5 mm ² / 20 ... 14 AWG
Fine-stranded conductor with ferrule, push-in termination, from	1.5 mm ² / 16 AWG

Material Data

Insulating material	Polyamide 66 (PA 66)
Clamping spring material	Chrome nickel spring steel (CrNi)
Contact material	Copper or copper alloy; surface-treated

Mechanical Data

Number of mating cycles	200, without resistive load 100, with resistive load $I_N = 25$ A, tested (4 mm ² /AWG 12)
Mating force of a plug-in connection	Approx. 20 ... 70 N (depending on pole number)
Unmating force of a plug-in connection	When unlocked: approx. 20 ... 70 N (depending on pole number)
Retention force of a plug-in connection	When locked: > 80 N
Protection class	IP20
Note on protection class	In mated condition with strain relief housing: IP2xC (These compact connectors are not designed for use in open, easily accessible areas.)

Environmental Requirements

Processing temperature	-5 ... +40 °C
Continuous operating temperature	-35 ... +85 °C
Note on continuous service temperature	Insulating parts for temperatures ≤ 105 °C

All connectors for mounted installations (snap-in versions for lighting fixtures or devices, all types of PCB and distribution connectors) are factory-equipped with locking levers to ensure plugs and sockets are securely locked. Additional locking levers are only required for flying leads (plug/socket).

Application note for the U.S. market (USR): Some versions may also be used for current interruption in accordance with the UL certificate in select applications with currents below 16 A and voltages up to 600 V. For further information, please contact your local sales office.

All WINSTA® components are 100% protected against mismatching in terms of:

- plugging different number of poles
- plugging when turned by 180°
- plugging when laterally staggered
- plugging one pole

Marking	Page 499
Strain relief	Page 480
Tools	Page 492
Additional information, see "Technical Section"	
Approvals and corresponding ratings, visit www.wago.com	

Pluggable Connector ▶ WINSTA® MIDI ▶ Serie 770

No. of poles: 4 ▶ Number of connection points: 2 ▶ Protection class: IP20

strain relief housing ▶ Female connector/socket ▶ Strip length: 55 mm ▶ Standard network application

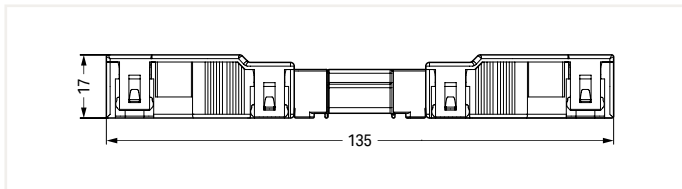
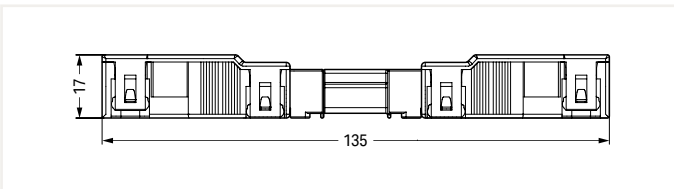
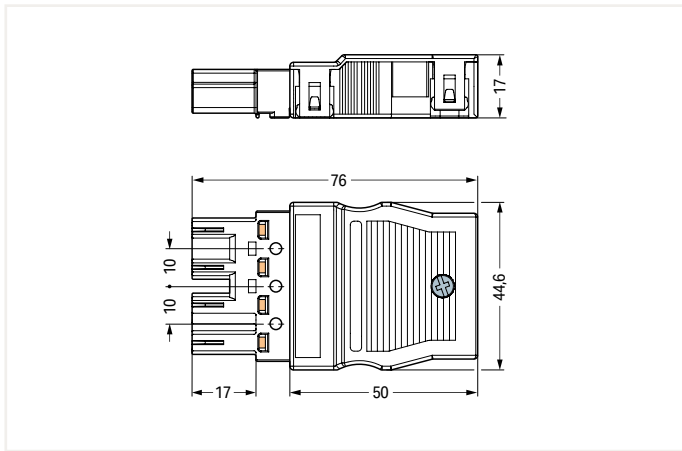
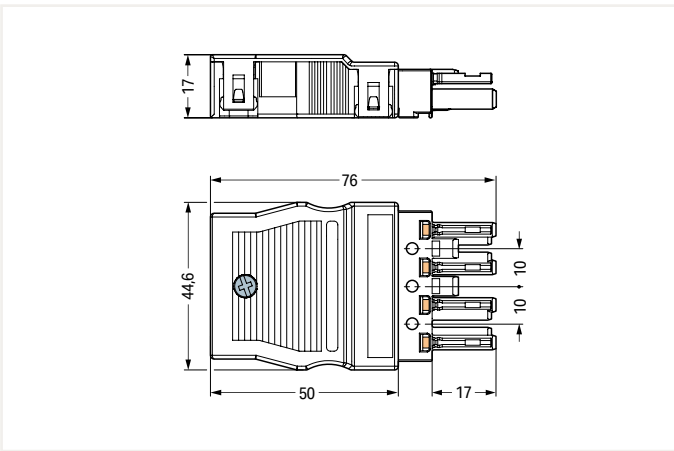
strain relief housing ▶ Male connector/plug ▶ Strip length: 55 mm ▶ Standard network application



Color	Coding	Marking	Item Number	PU
● black	A	N ⊕ 2/L 1/L'	770-104	25
○ white	A	N ⊕ 2/L 1/L'	770-124	25

Color	Coding	Marking	Item Number	PU
● black	A	N ⊕ 2/L 1/L'	770-114	25
○ white	A	N ⊕ 2/L 1/L'	770-134	25

3



Overall length when mated

Overall length when mated

Item-Specific Accessories

Item-Specific Accessories



Lockout cap; for socket; separable; No. of poles: 12		
Color	Item Number	PU
● black	770-201	100
○ white	770-221	100

Lockout cap; for plug; separable; No. of poles: 5		
Color	Item Number	PU
● yellow	770-360	100

Accessories; for all products on this page



Locking lever; for flying leads; manually operated		
Color	Item Number	PU (SPU)
● black	770-101	100 (25)
○ white	770-121	100 (25)

Locking lever; for flying leads; tool operated		
Color	Item Number	PU (SPU)
● black	770-111	100 (25)
○ white	770-131	100 (25)

PU = Packaging Unit; SPU = Subpackaging Unit; Dimensions in mm

Pluggable Connector ▶ WINSTA® MIDI ▶ Serie 770

No. of poles: 4 ▶ Number of connection points: 2 ▶ Protection class: IP20

Female connector/socket

Male connector/plug



3

Standard network application

Color	Coding	Marking	Item Number	PU
● black	A	N ⊕ 2/L 1/L'	770-204	50
○ white	A	N ⊕ 2/L 1/L'	770-224	50

Standard network application

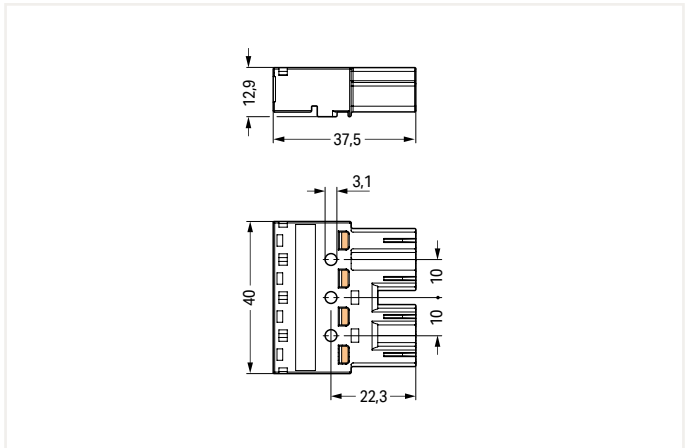
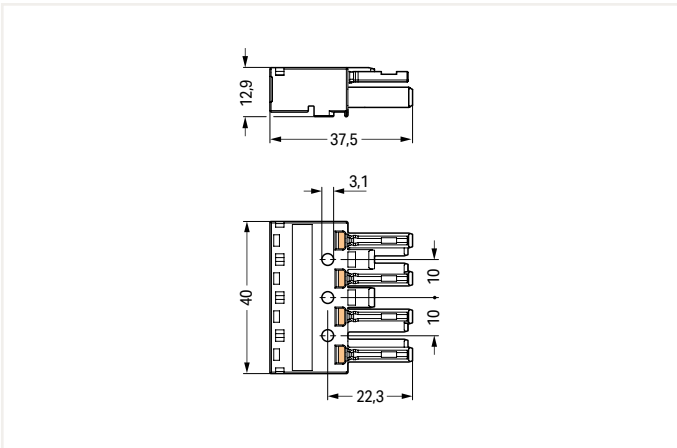
Color	Coding	Marking	Item Number	PU
● black	A	N ⊕ 2/L 1/L'	770-214	50
○ white	A	N ⊕ 2/L 1/L'	770-234	50

„Clean Earth“

Color	Coding	Marking	Item Number	PU
● green	Q	N PE1 PE2 L	770-1324	50

„Clean Earth“

Color	Coding	Marking	Item Number	PU
● green	Q	N PE1 PE2 L	770-1334	50



Item-Specific Accessories



Lockout cap; for socket; separable; No. of poles: 12

Color	Item Number	PU
● black	770-201	100
○ white	770-221	100

Item-Specific Accessories



Lockout cap; for plug; separable; No. of poles: 5

Color	Item Number	PU
● yellow	770-360	100

Accessories; for all products on this page



Color	Item Number	PU (SPU)
● black	770-101	100 (25)
○ white	770-121	100 (25)



Color	Item Number	PU (SPU)
● black	770-111	100 (25)
○ white	770-131	100 (25)



Color	Item Number	PU
● black	770-504	25
○ white	770-514	25

PU = Packaging Unit; SPU = Subpackaging Unit; Dimensions in mm

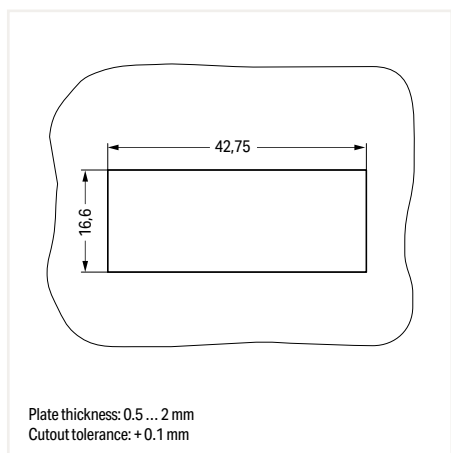
Snap-In Device Connector ▶ WINSTA® MIDI ▶ Serie 770

No. of poles: 4 ▶ Number of connection points: 2 ▶ Protection class: IP20



- Protected against mismatching and maintenance-free
- Push-in CAGE CLAMP® spring pressure connection technology allows solid conductors to be simply pushed into a unit
- Two-wire connection per pole for loops or bridges
- Additional variable coding is possible

3



Electrical Data						
Coding	A			Q		
Ratings per	IEC/EN 60664-1			IEC/EN 60664-1		
Overvoltage category	III	III	II	III	III	II
Pollution degree	3	2	2	3	2	2
Rated voltage	400 V	-	-	400 V	-	-
Rated impulse voltage	6 kV	-	-	6 kV	-	-
Rated current	25 A	-	-	32 A	-	-

Connection Data	
Connection technology	Push-in CAGE CLAMP®
Strip length	9 mm / 0.35 inch
Nominal cross section	4 mm²
Solid conductor	0.5 ... 4 mm² / 20 ... 12 AWG
Solid conductor, push-in termination	1.5 ... 4 mm² / 16 ... 12 AWG
Stranded conductor	0.5 ... 2.5 mm² / 20 ... 14 AWG
Fine-stranded conductor	0.5 ... 4 mm² / 20 ... 12 AWG
Fine-stranded conductor with ferrule with plastic collar	0.25 ... 1.5 mm² / 20 ... 16 AWG
Fine-stranded conductor with ferrule without plastic collar	0.25 ... 2.5 mm² / 20 ... 14 AWG
Fine-stranded conductor with ferrule, push-in termination, from	1.5 mm² / 16 AWG

Material Data	
Insulating material	Polyamide 66 (PA 66)
Clamping spring material	Chrome nickel spring steel (CrNi)
Contact material	Copper or copper alloy; surface-treated

Mechanical Data	
Number of mating cycles	200, without resistive load 100, with resistive load $I_N = 25$ A, tested (4 mm²/AWG 12)
Mating force of a plug-in connection	Approx. 20 ... 70 N (depending on pole number)
Unmating force of a plug-in connection	When unlocked: approx. 20 ... 70 N (depending on pole number)
Retention force of a plug-in connection	When locked: > 80 N
Protection class	IP20
Note on protection class	In mated condition: IP2xC (These compact connectors are not designed for use in open, easily accessible areas.)

Environmental Requirements	
Processing temperature	-5 ... +40 °C
Continuous operating temperature	-35 ... +85 °C
Note on continuous service temperature	Insulating parts for temperatures ≤ 105 °C

All connectors for mounted installations (snap-in versions for lighting fixtures or devices, all types of PCB and distribution connectors) are factory-equipped with locking levers to ensure plugs and sockets are securely locked. Additional locking levers are only required for flying leads (plug/socket).

Application note for the U.S. market (USR): Some versions may also be used for current interruption in accordance with the UL certificate in select applications with currents below 16 A and voltages up to 600 V. For further information, please contact your local sales office.

All WINSTA® components are 100% protected against mismatching in terms of:

- plugging different number of poles
- plugging when turned by 180°
- plugging when laterally staggered
- plugging one pole

Coding Page 474

Tools Page 492

Additional information, see "Technical Section"

Approvals and corresponding ratings, visit www.wago.com

Snap-In Device Connector ▶ WINSTA® MIDI ▶ Serie 770

No. of poles: 4 ▶ Number of connection points: 2 ▶ Protection class: IP20

Female connector/socket



Male connector/plug

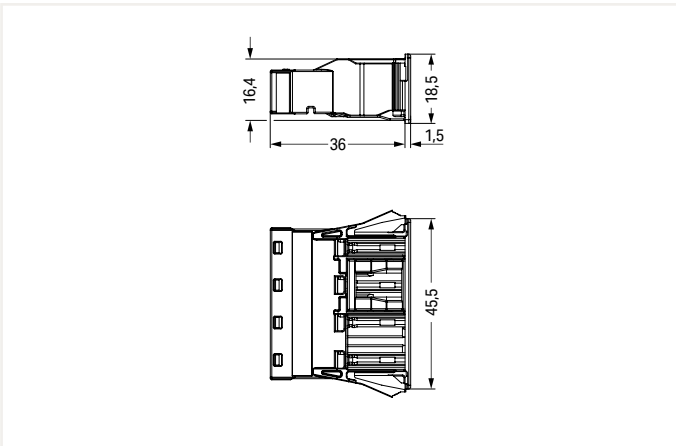


Standard network application

Color	Coding	Marking	Item Number	PU
● black	A	N ⊕ 2/L 1/L'	770-704	100
○ white	A	N ⊕ 2/L 1/L'	770-724	100

„Clean Earth“

Color	Coding	Marking	Item Number	PU
● green	Q	N PE1 PE2 L	770-2324	100

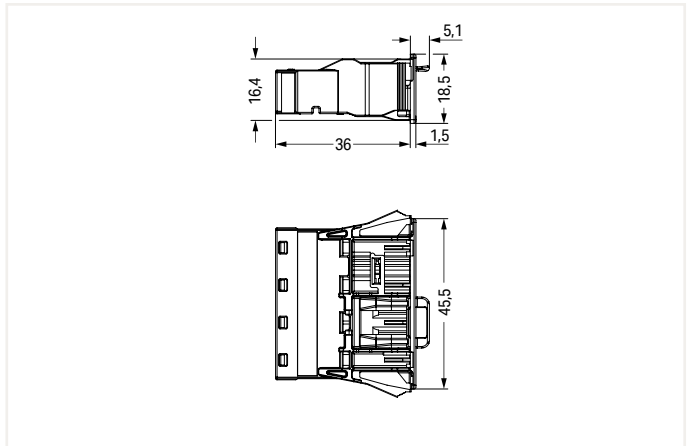


Standard network application

Color	Coding	Marking	Item Number	PU
● black	A	N ⊕ 2/L 1/L'	770-714	100
○ white	A	N ⊕ 2/L 1/L'	770-734	100

„Clean Earth“

Color	Coding	Marking	Item Number	PU
● green	Q	N PE1 PE2 L	770-2334	100



Item-Specific Accessories



Lockout cap; for socket; separable; No. of poles: 12

Color	Item Number	PU
● black	770-201	100
○ white	770-221	100

Item-Specific Accessories



Lockout cap; for plug; separable; No. of poles: 5

Color	Item Number	PU
● yellow	770-360	100

Accessories; for all products on this page



Lockout cap; for cutout; No. of poles: 4

Color	Item Number	PU
● black	770-644	100
○ white	770-694	100

PU = Packaging Unit; SPU = Subpackaging Unit; Dimensions in mm

Snap-In Device Connector ▶ WINSTA® MIDI ▶ Serie 770

No. of poles: 4 ▶ Number of connection points: 2 ▶ Protection class: IP20

With protruding interface ▶ Female connector/socket ▶ Standard network application

With direct ground contact ▶ Male connector/plug

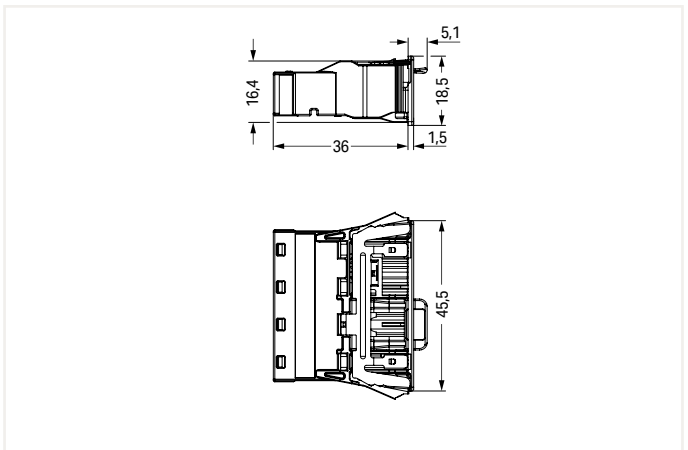
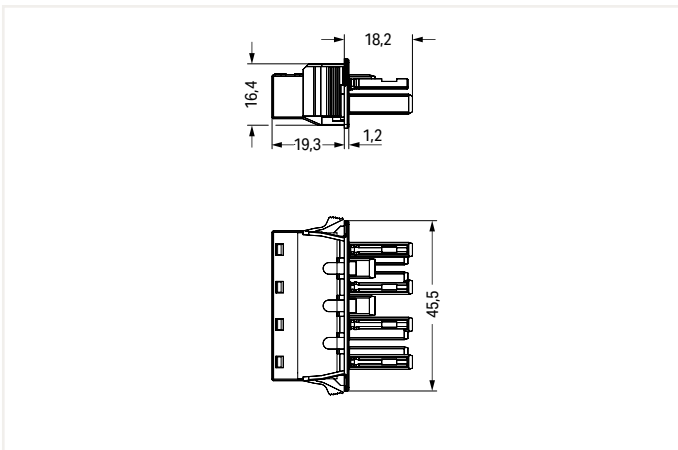


3

Color	Coding	Marking	Item Number	PU
● black	A	N ⊕ 2/L 1/L'	770-704/009-000	100
○ white	A	N ⊕ 2/L 1/L'	770-724/009-000	100

Standard network application				
Color	Coding	Marking	Item Number	PU
● black	A	N ⊕ 2/L 1/L'	770-714/007-000	100
○ white	A	N ⊕ 2/L 1/L'	770-734/007-000	100

„Clean Earth“				
Color	Coding	Marking	Item Number	PU
● green	Q	N PE1 PE2 L	770-2334/007-000	100



Item-Specific Accessories



Lockout cap; for socket; separable; No. of poles: 12

Color	Item Number	PU
● black	770-201	100
○ white	770-221	100

Item-Specific Accessories



Lockout cap; for plug; separable; No. of poles: 5

Color	Item Number	PU
● yellow	770-360	100

Accessories; for all products on this page



Lockout cap; for cutout; No. of poles: 4

Color	Item Number	PU
● black	770-644	100
○ white	770-694	100

PU = Packaging Unit; SPU = Subpackaging Unit; Dimensions in mm

Pluggable PCB Connector ▶ WINSTA® MIDI ▶ Serie 770

No. of poles: 4 ▶ Standard network application



- Protected against mismatching and maintenance-free
- Push-in CAGE CLAMP® spring pressure connection technology allows solid conductors to be simply pushed into a unit
- Two-wire connection per pole for loops or bridges
- Additional variable coding is possible

Electrical Data

Coding	A		
Ratings per	IEC/EN 60664-1		
Overvoltage category	III	III	II
Pollution degree	3	2	2
Rated voltage	400 V	-	-
Rated impulse voltage	6 kV	-	-
Rated current	25 A	-	-

Material Data

Insulating material	Polyamide 66 (PA 66)
Clamping spring material	Chrome nickel spring steel (CrNi)
Contact material	Copper or copper alloy; surface-treated

Mechanical Data

Solder pin arrangement	2 in-line solder pins/pole
Solder pin length	3.5 mm
Solder pin dimensions	1 x 0.8 mm
Drilled hole diameter (tolerance)	1.5 (+0.1 ... +0.1) mm
Number of mating cycles	200, without resistive load 100, with resistive load $I_N = 25$ A, tested (4 mm ² /AWG 12)
Mating force of a plug-in connection	Approx. 20 ... 70 N (depending on pole number)
Unmating force of a plug-in connection	When unlocked: approx. 20 ... 70 N (depending on pole number)
Retention force of a plug-in connection	When locked: > 80 N

Environmental Requirements

Processing temperature	-5 ... +40 °C
Continuous operating temperature	-35 ... +85 °C
Note on continuous service temperature	Insulating parts for temperatures ≤ 105 °C

All connectors for mounted installations (snap-in versions for lighting fixtures or devices, all types of PCB and distribution connectors) are factory-equipped with locking levers to ensure plugs and sockets are securely locked. Additional locking levers are only required for flying leads (plug/socket).

Application note for the U.S. market (USR): Some versions may also be used for current interruption in accordance with the UL certificate in select applications with currents below 16 A and voltages up to 600 V. For further information, please contact your local sales office.

All WINSTA® components are 100% protected against mismatching in terms of:

- plugging different number of poles
- plugging when turned by 180°
- plugging when laterally staggered
- plugging one pole

Coding Page 474

Additional information, see "Technical Section"

Approvals and corresponding ratings, visit www.wago.com

Pluggable PCB Connector ▶ WINSTA® MIDI ▶ Serie 770

No. of poles: 4 ▶ Standard network application

Straight ▶ Female connector/socket



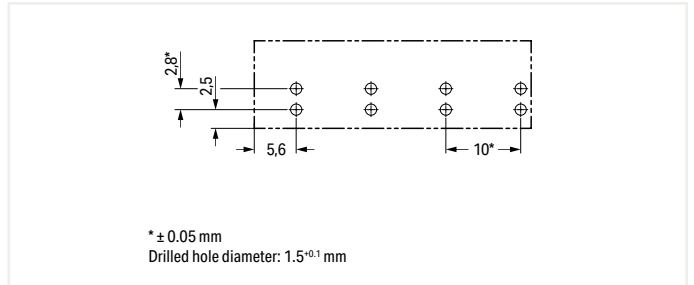
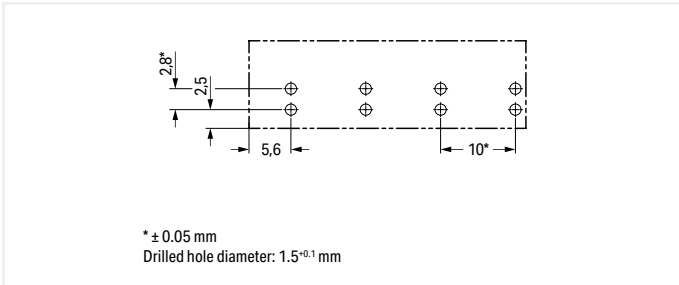
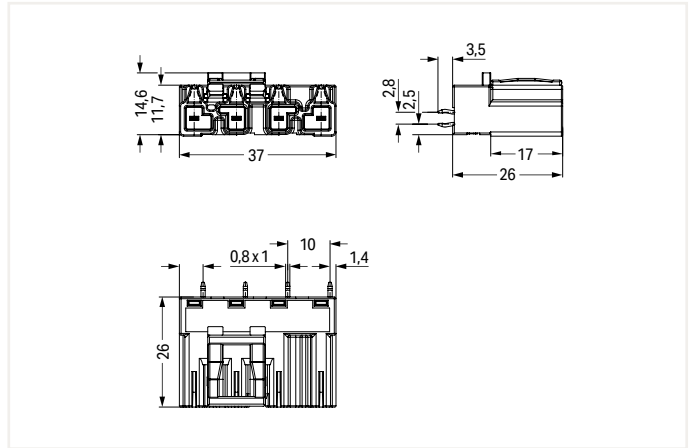
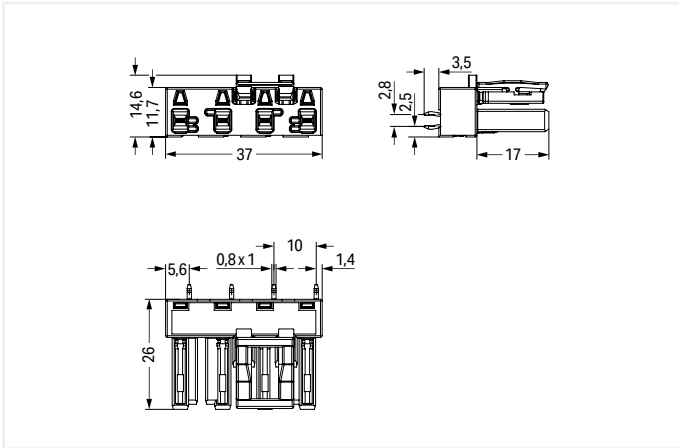
Straight ▶ Male connector/plug



Color	Coding	Marking	Item Number	PU
● black	A	N ⊕ 2/L 1/L'	770-804	50
○ white	A	N ⊕ 2/L 1/L'	770-824	50

Color	Coding	Marking	Item Number	PU
● black	A	N ⊕ 2/L 1/L'	770-814	50
○ white	A	N ⊕ 2/L 1/L'	770-834	50

3



Item-Specific Accessories



Lockout cap; for socket; separable; No. of poles: 12

Color	Item Number	PU
● black	770-201	100
○ white	770-221	100

Item-Specific Accessories



Lockout cap; for plug; separable; No. of poles: 5

Color	Item Number	PU
● yellow	770-360	100

Pluggable PCB Connector ▶ WINSTA® MIDI ▶ Serie 770

No. of poles: 4 ▶ Standard network application

Angled ▶ Female connector/socket

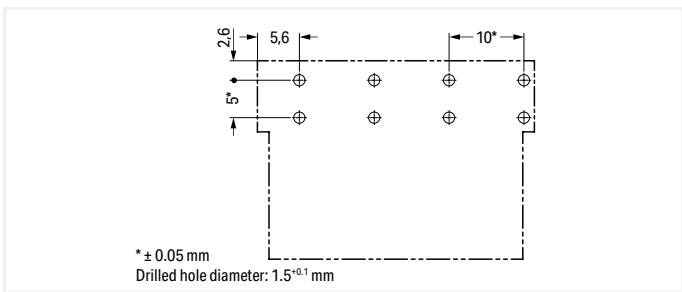
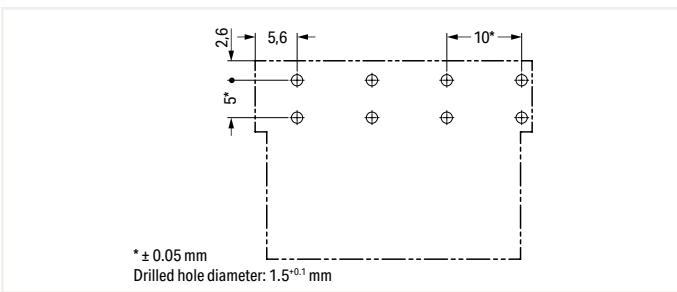
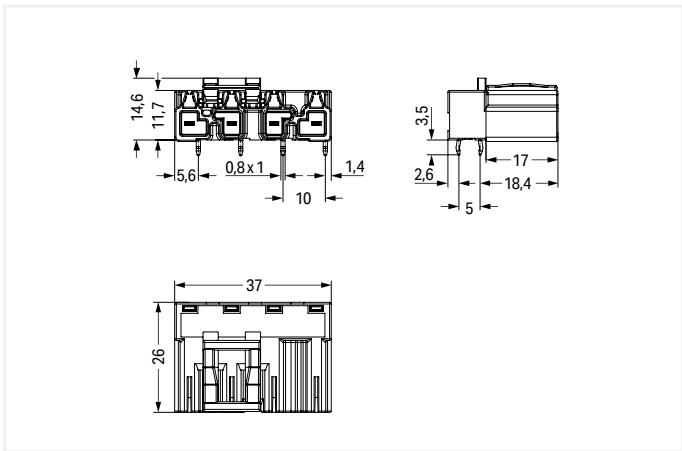
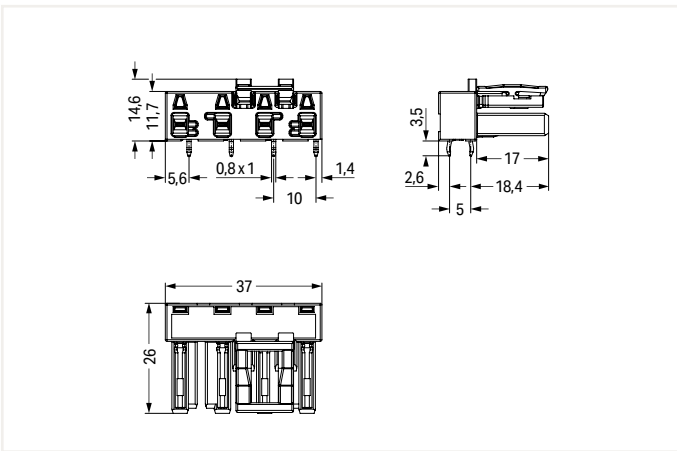
Angled ▶ Male connector/plug



3

Color	Coding	Marking	Item Number	PU
● black	A	N ⊕ 2/L 1/L'	770-804/011-000	50
○ white	A	N ⊕ 2/L 1/L'	770-824/011-000	50

Color	Coding	Marking	Item Number	PU
● black	A	N ⊕ 2/L 1/L'	770-814/011-000	50
○ white	A	N ⊕ 2/L 1/L'	770-834/011-000	50



Item-Specific Accessories

Item-Specific Accessories



Lockout cap; for socket; separable; No. of poles: 12

Color	Item Number	PU
● black	770-201	100
○ white	770-221	100

Lockout cap; for plug; separable; No. of poles: 5

Color	Item Number	PU
● yellow	770-360	100

PU = Packaging Unit; SPU = Subpackaging Unit; Dimensions in mm

Distribution Connector ▶ WINSTA® MIDI ▶ Serie 770

No. of poles: 4 ▶ Standard network application



- Protected against mismatching and maintenance-free
- Additional variable coding is possible

3

Electrical Data			
Coding	A		
Ratings per	IEC/EN 60664-1		
Overvoltage category	III	III	II
Pollution degree	3	2	2
Rated voltage	400 V	-	-
Rated impulse voltage	6 kV	-	-
Rated current	25 A	-	-

Material Data	
Insulating material	Polyamide 66 (PA 66)
Contact material	Copper or copper alloy; surface-treated

Mechanical Data	
Number of mating cycles	200, without resistive load 100, with resistive load $I_N = 25$ A, tested (4 mm ² /AWG 12)
Mating force of a plug-in connection	approx. 20 ... 70 N (depending on pole number)
Unmating force of a plug-in connection	when unlocked: approx. 20 ... 70 N (depending on pole number)
Retention force of a plug-in connection	When locked: > 80 N
Protection class	IP20
Note on protection class	In mated condition with strain relief housing: IP2xC (These compact connectors are not designed for use in open, easily accessible areas.)

Environmental Requirements	
Processing temperature	-5 ... +40 °C
Continuous operating temperature	-35 ... +85 °C
Note on continuous service temperature	Insulating parts for temperatures ≤ 105 °C

All connectors for mounted installations (snap-in versions for lighting fixtures or devices, all types of PCB and distribution connectors) are factory-equipped with locking levers to ensure plugs and sockets are securely locked. Additional locking levers are only required for flying leads (plug/socket).

Application note for the U.S. market (USR): Some versions may also be used for current interruption in accordance with the UL certificate in select applications with currents below 16 A and voltages up to 600 V. For further information, please contact your local sales office.

All WINSTA® components are 100% protected against mismatching in terms of:

- plugging different number of poles
- plugging when turned by 180°
- plugging when laterally staggered
- plugging one pole

Coding Page 474

Additional information, see "Technical Section"

Approvals and corresponding ratings, visit www.wago.com

Distribution Connector ▶ WINSTA® MIDI ▶ Serie 770

No. of poles: 4 ▶ Standard network application

Linect® T-connector

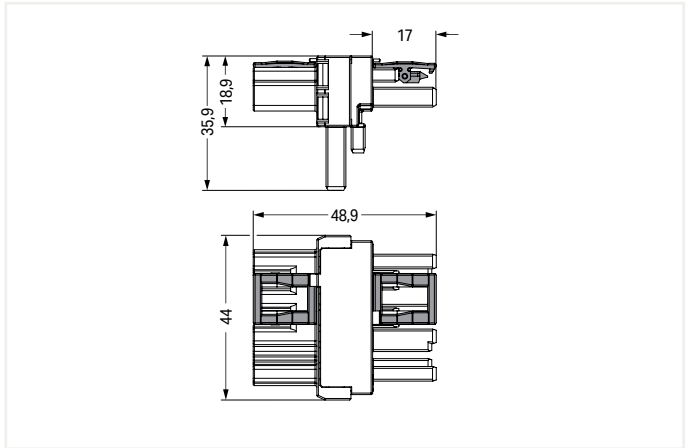
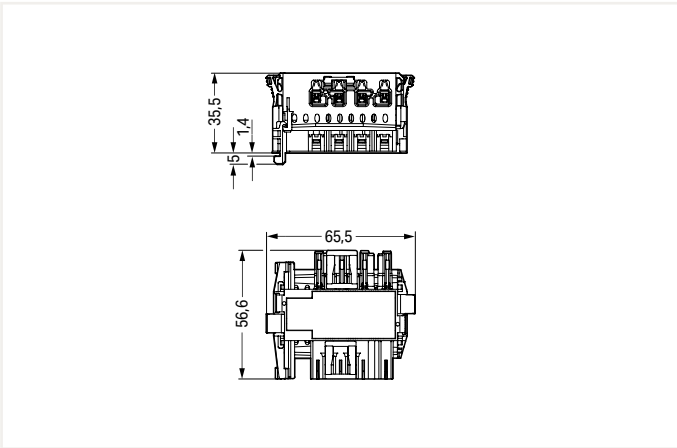
T-distribution connector ▶ Number of locking levers: 2



Color	Coding	Marking	Item Number	PU
○ white	A	N ⊕ 2/L 1/L'	770-6224	25

Color	Coding	Marking	Item Number	PU
● black	A	N ⊕ 2/L 1/L'	770-626	50
○ white	A	N ⊕ 2/L 1/L'	770-676	50

3



Accessories; for all products on this page



Lockout cap; for socket; separable; No. of poles: 12		
Color	Item Number	PU
● black	770-201	100
○ white	770-221	100

Lockout cap; for plug; separable; No. of poles: 5		
Color	Item Number	PU
● yellow	770-360	100

PU = Packaging Unit; SPU = Subpackaging Unit; Dimensions in mm

Distribution Connector ▶ WINSTA® MIDI ▶ Serie 770

No. of poles: 4 ▶ Standard network application

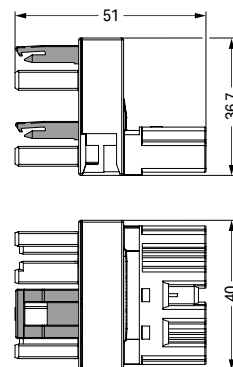
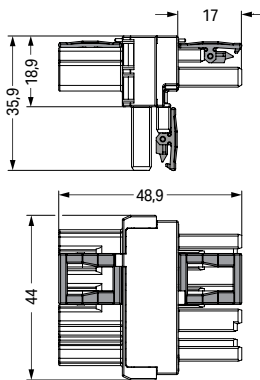
T-distribution connector ▶ Number of locking levers: 3 ▶ for flying leads

h-distribution connector, unidirectional ▶ Number of locking levers: 2



Color	Coding	Marking	Item Number	PU
● black	A	N ⊕ 2/L 1/L'	770-627	50
○ white	A	N ⊕ 2/L 1/L'	770-677	50

Color	Coding	Marking	Item Number	PU
● black	A	N ⊕ 2/L 1/L'	770-944	25
○ white	A	N ⊕ 2/L 1/L'	770-994	25



Item-Specific Accessories



Mounting plate; for distribution connector (except T-distribution connector); 4-pole

Color	Item Number	PU
● black	770-624	25
○ white	770-674	25

Accessories; for all products on this page



Lockout cap; for socket; separable; No. of poles: 12		
Color	Item Number	PU
● black	770-201	100
○ white	770-221	100

Lockout cap; for plug; separable; No. of poles: 5		
Color	Item Number	PU
● yellow	770-360	100

PU = Packaging Unit; SPU = Subpackaging Unit; Dimensions in mm

Distribution Connector ▶ WINSTA® MIDI ▶ Serie 770

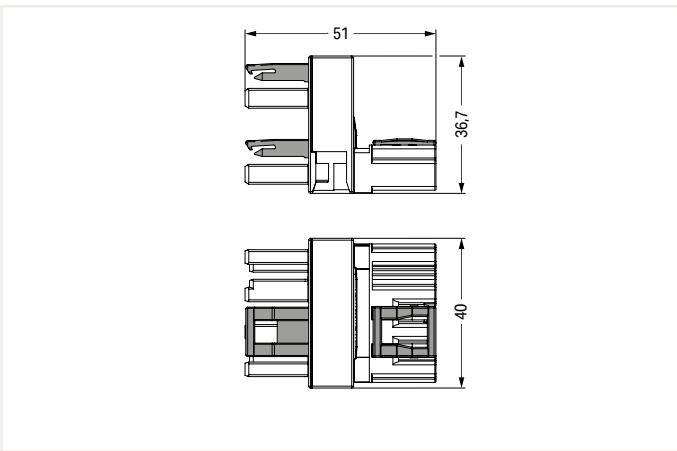
No. of poles: 4 ▶ Standard network application

h-distribution connector, unidirectional ▶ Number of locking levers: 3 ▶ for flying leads



Fig. similar

Color	Coding	Marking	Item Number	PU
● black	A	N ⊕ 2/L 1/L'	770-945	25
○ white	A	N ⊕ 2/L 1/L'	770-995	25



3

Accessories; for all products on this page



Lockout cap; for socket; separable; No. of poles: 12		
Color	Item Number	PU
● black	770-201	100
○ white	770-221	100



Lockout cap; for plug; separable; No. of poles: 5		
Color	Item Number	PU
● yellow	770-360	100



Mounting plate; for distribution connector (except T-distribution connector); 4-pole		
Color	Item Number	PU
● black	770-624	25
○ white	770-674	25

PU = Packaging Unit; SPU = Subpackaging Unit; Dimensions in mm

Cable Assembly ▶ WINSTA® MIDI ▶ Serie 771

No. of poles: 4 ▶ Protection class: IP20 ▶ 1.5 mm² ▶ Coding: A ▶ Marking: N ⊕ 2/L 1/L' ▶ Cable diameter: 8.4 ... 10.5 mm ▶ Reaction to fire class per EN 50575: E_{ca} ▶ Standard network application



- Protected against mismatching and maintenance-free
- Additional variable coding is possible

Electrical Data

Coding	A		
Ratings per	IEC/EN 60664-1		
Overvoltage category	III	III	II
Pollution degree	3	2	2
Rated voltage	400 V	-	-
Rated impulse voltage	6 kV	-	-
Rated current	16 A	-	-

Material Data

Insulating material	Polyamide 66 (PA 66)
Contact material	Copper or copper alloy; surface-treated
Reaction to fire class per EN 50575	E _{ca}

Mechanical Data

Number of mating cycles	200, without resistive load 100, with resistive load I _N = 25 A, tested (4 mm ² /AWG 12)
Mating force of a plug-in connection	approx. 20 ... 70 N (depending on pole number)
Unmating force of a plug-in connection	when unlocked: approx. 20 ... 70 N (depending on pole number)
Retention force of a plug-in connection	when locked: > 80N
Protection class	IP20
Note on protection class	In mated condition: IP2xC (These compact connectors are not designed for use in open, easily accessible areas.)

Environmental Requirements

Processing temperature	-5 ... +40 °C
Continuous operating temperature	-35 ... +85 °C
Note on continuous service temperature	PVC cable for temperatures ≤ 70 °C (including halogen-free) Insulating parts for temperatures ≤ 105 °C

Cables with different fire load are available in the eShop

Application note for the U.S. market (USR): Some versions may also be used for current interruption in accordance with the UL certificate in select applications with currents below 16 A and voltages up to 600 V. For further information, please contact your local sales office.

All WINSTA® components are 100% protected against mismatching in terms of:

- plugging different number of poles
- plugging when turned by 180°
- plugging when laterally staggered
- plugging one pole

Cover Page 474

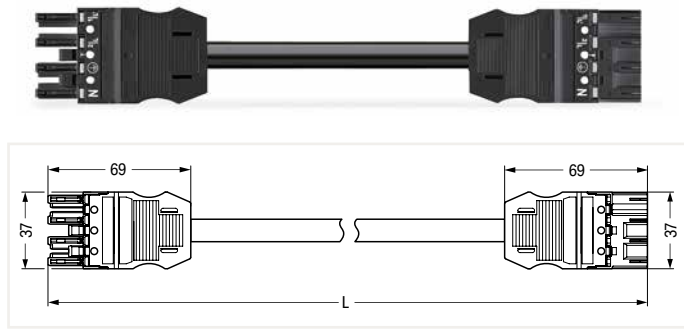
Marking Page 499

Additional information, see "Technical Section"

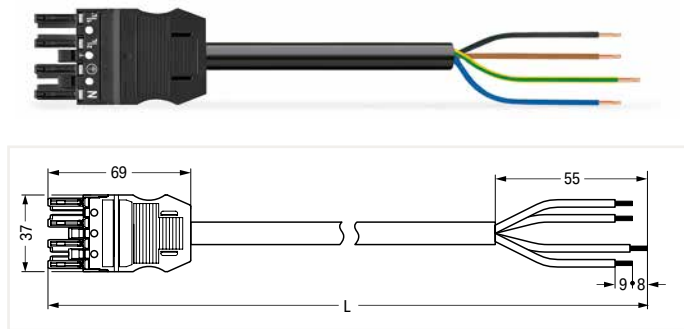
Approvals and corresponding ratings, visit www.wago.com

Cable Assembly ▶ WINSTA® MIDI ▶ Serie 771

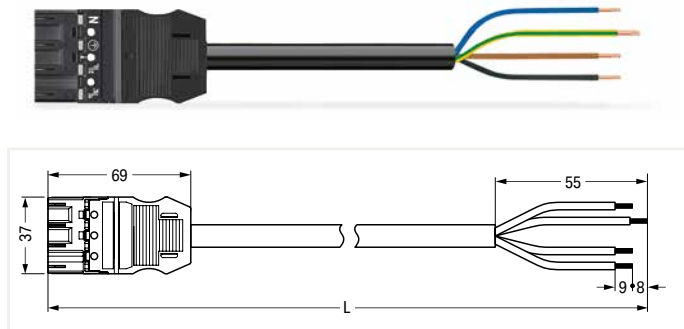
No. of poles: 4 ▶ Protection class: IP20 ▶ 1.5 mm² ▶ Coding: A ▶ Marking: N ⊕ 2/L 1/L' ▶ Cable diameter: 8.4 ... 10.5 mm ▶ Reaction to fire class per EN 50575: E_{ca} ▶ Standard network application ▶ PVC ▶ H05VV-F 4G1.5



Interconnecting cable ▶ Socket - Plug				
Total length	Connector color / Strain relief color			PU
	black / black	white / white		
1 m	771-9994/006-101	771-9994/006-102		1
2 m	771-9994/006-201	771-9994/006-202		1
3 m	771-9994/006-301	771-9994/006-302		1
4 m	771-9994/006-401	771-9994/006-402		1
5 m	771-9994/006-501	771-9994/006-502		1
6 m	771-9994/006-601	771-9994/006-602		1
7 m	771-9994/006-701	771-9994/006-702		1
8 m	771-9994/006-801	771-9994/006-802		1



Connecting cable ▶ Socket - Free end ▶ Strip length: 55 mm				
Total length	Connector color / Strain relief color			PU
	black / black	white / white		
1 m	771-9994/106-101	771-9994/106-102		1
2 m	771-9994/106-201	771-9994/106-202		1
3 m	771-9994/106-301	771-9994/106-302		1
4 m	771-9994/106-401	771-9994/106-402		1
5 m	771-9994/106-501	771-9994/106-502		1
6 m	771-9994/106-601	771-9994/106-602		1
7 m	771-9994/106-701	771-9994/106-702		1
8 m	771-9994/106-801	771-9994/106-802		1



Connecting cable ▶ Plug - Free end ▶ Strip length: 55 mm				
Total length	Connector color / Strain relief color			PU
	black / black	white / white		
1 m	771-9994/206-101	771-9994/206-102		1
2 m	771-9994/206-201	771-9994/206-202		1
3 m	771-9994/206-301	771-9994/206-302		1
4 m	771-9994/206-401	771-9994/206-402		1
5 m	771-9994/206-501	771-9994/206-502		1
6 m	771-9994/206-601	771-9994/206-602		1
7 m	771-9994/206-701	771-9994/206-702		1
8 m	771-9994/206-801	771-9994/206-802		1

3

Accessories; for all products on this page



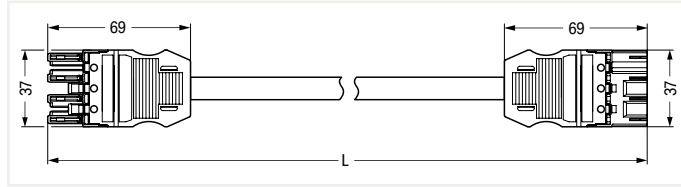
Locking lever; for flying leads; manually operated		
Color	Item Number	PU (SPU)
● black	770-101	100 (25)
○ white	770-121	100 (25)

Locking lever; for flying leads; tool operated		
Color	Item Number	PU (SPU)
● black	770-111	100 (25)
○ white	770-131	100 (25)

PU = Packaging Unit; SPU = Subpackaging Unit; Dimensions in mm

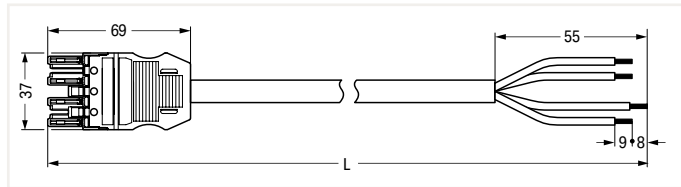
Cable Assembly ▶ WINSTA® MIDI ▶ Serie 771

No. of poles: 4 ▶ Protection class: IP20 ▶ 1.5 mm² ▶ Coding: A ▶ Marking: N ⊕ 2/L 1/L' ▶ Cable diameter: 8.4 ... 10.5 mm ▶ Reaction to fire class per EN 50575: E_{ca} ▶ Standard network application ▶ Halogen-free ▶ H05Z1Z1-F 4G1.5

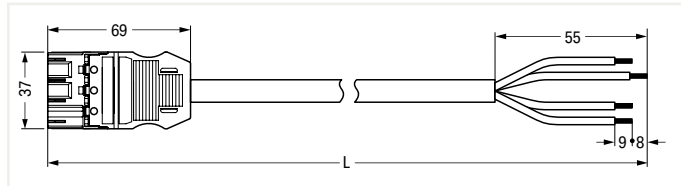


Interconnecting cable ▶ Socket - Plug				
Total length	Connector color / Strain relief color		PU	
	black / black	white / white		
1 m	771-9994/016-101	771-9994/016-102		1
2 m	771-9994/016-201	771-9994/016-202		1
3 m	771-9994/016-301	771-9994/016-302		1
4 m	771-9994/016-401	771-9994/016-402		1
5 m	771-9994/016-501	771-9994/016-502		1
6 m	771-9994/016-601	771-9994/016-602		1
7 m	771-9994/016-701	771-9994/016-702		1
8 m	771-9994/016-801	771-9994/016-802		1

3



Connecting cable ▶ Socket - Free end ▶ Strip length: 55 mm				
Total length	Connector color / Strain relief color		PU	
	black / black	white / white		
1 m	771-9994/116-101	771-9994/116-102		1
2 m	771-9994/116-201	771-9994/116-202		1
3 m	771-9994/116-301	771-9994/116-302		1
4 m	771-9994/116-401	771-9994/116-402		1
5 m	771-9994/116-501	771-9994/116-502		1
6 m	771-9994/116-601	771-9994/116-602		1
7 m	771-9994/116-701	771-9994/116-702		1
8 m	771-9994/116-801	771-9994/116-802		1



Connecting cable ▶ Plug - Free end ▶ Strip length: 55 mm				
Total length	Connector color / Strain relief color		PU	
	black / black	white / white		
1 m	771-9994/216-101	771-9994/216-102		1
2 m	771-9994/216-201	771-9994/216-202		1
3 m	771-9994/216-301	771-9994/216-302		1
4 m	771-9994/216-401	771-9994/216-402		1
5 m	771-9994/216-501	771-9994/216-502		1
6 m	771-9994/216-601	771-9994/216-602		1
7 m	771-9994/216-701	771-9994/216-702		1
8 m	771-9994/216-801	771-9994/216-802		1

Accessories; for all products on this page



Locking lever; for flying leads; manually operated		
Color	Item Number	PU (SPU)
● black	770-101	100 (25)
○ white	770-121	100 (25)

Locking lever; for flying leads; tool operated		
Color	Item Number	PU (SPU)
● black	770-111	100 (25)
○ white	770-131	100 (25)

PU = Packaging Unit; SPU = Subpackaging Unit; Dimensions in mm

Pluggable Connector ▶ WINSTA® MIDI ▶ Serie 770

No. of poles: 5 ▶ Protection class: IP20



- Protected against mismatching and maintenance-free
- Push-in CAGE CLAMP® spring pressure connection technology allows solid conductors to be simply pushed into a unit
- Two-wire connection per pole for loops or bridges
- Additional variable coding is possible

Electrical Data						
Coding	A; I; L; P			Q		
Ratings per	IEC/EN 60664-1			IEC/EN 60664-1		
Overvoltage category	III	III	II	III	III	II
Pollution degree	3	2	2	3	2	2
Rated voltage	400 V	-	-	400 V	-	-
Rated impulse voltage	6 kV	-	-	6 kV	-	-
Rated current	25 A	-	-	32 A	-	-

Connection Data	
Connection technology	Push-in CAGE CLAMP®
Strip length	9 mm / 0.35 inch
Nominal cross section	4 mm²
Solid conductor	0.5 ... 4 mm² / 20 ... 12 AWG
Solid conductor, push-in termination	1.5 ... 4 mm² / 16 ... 12 AWG
Stranded conductor	0.5 ... 2.5 mm² / 20 ... 14 AWG
Fine-stranded conductor	0.5 ... 4 mm² / 20 ... 12 AWG
Fine-stranded conductor with ferrule with plastic collar	0.25 ... 1.5 mm² / 20 ... 16 AWG
Fine-stranded conductor with ferrule without plastic collar	0.25 ... 2.5 mm² / 20 ... 14 AWG
Fine-stranded conductor with ferrule, push-in termination, from	1.5 mm² / 16 AWG

Material Data	
Insulating material	Polyamide 66 (PA 66)
Clamping spring material	Chrome nickel spring steel (CrNi)
Contact material	Copper or copper alloy; surface-treated

Mechanical Data	
Number of mating cycles	200, without resistive load 100, with resistive load $I_N = 25$ A, tested (4 mm²/AWG 12)
Retention force of a plug-in connection	When locked: > 80 N
Protection class	IP20
Note on protection class	In mated condition with strain relief housing: IP2xC (These compact connectors are not designed for use in open, easily accessible areas.)

Environmental Requirements	
Processing temperature	-5 ... +40 °C
Continuous operating temperature	-35 ... +85 °C
Note on continuous service temperature	Insulating parts for temperatures ≤ 105 °C

All connectors for mounted installations (snap-in versions for lighting fixtures or devices, all types of PCB and distribution connectors) are factory-equipped with locking levers to ensure plugs and sockets are securely locked. Additional locking levers are only required for flying leads (plug/socket).

Application note for the U.S. market (USR): Some versions may also be used for current interruption in accordance with the UL certificate in select applications with currents below 16 A and voltages up to 600 V. For further information, please contact your local sales office.

All WINSTA® components are 100% protected against mismatching in terms of:

- plugging different number of poles
- plugging when turned by 180°
- plugging when laterally staggered
- plugging one pole

Coding	Page 474
Marking	Page 499
Strain relief	Page 481
Tools	Page 492
Additional information, see "Technical Section"	
Approvals and corresponding ratings, visit www.wago.com	

Pluggable Connector ▶ WINSTA® MIDI ▶ Serie 770

No. of poles: 5 ▶ Protection class: IP20

Number of connection points: 2 ▶ strain relief housing ▶ Female connector/socket ▶ Strip length: 55 mm ▶ Standard network application

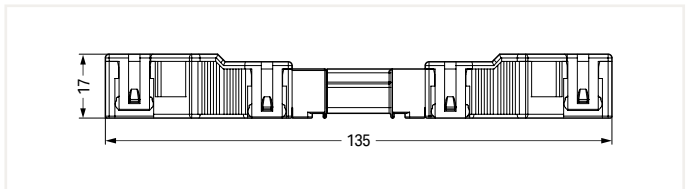
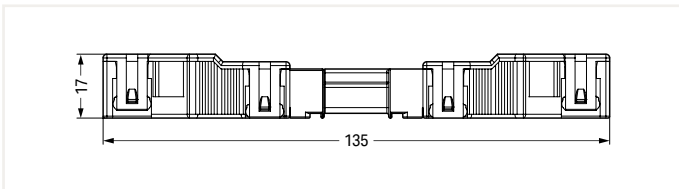
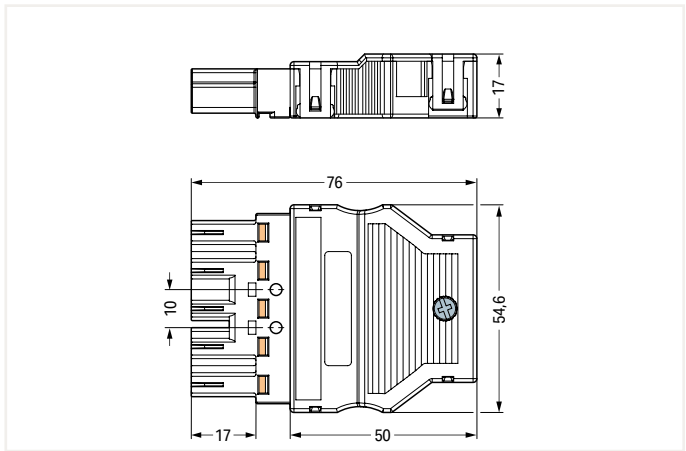
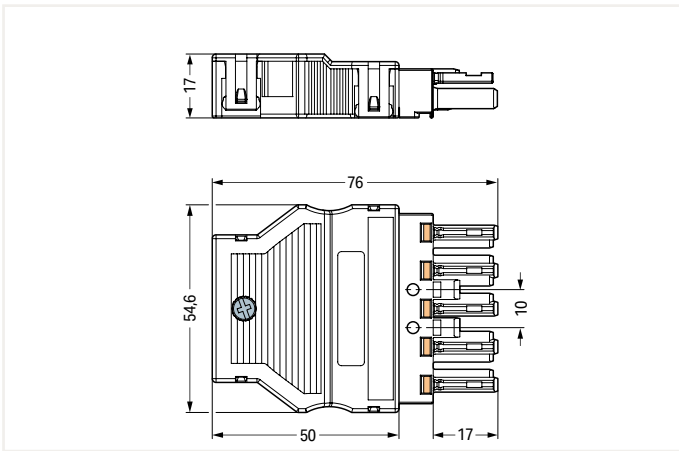
Number of connection points: 2 ▶ strain relief housing ▶ Male connector/plug ▶ Strip length: 55 mm ▶ Standard network application



Color	Coding	Marking	Item Number	PU
● black	A	N ⊕ L1 L2 L3	770-105	25
○ white	A	N ⊕ L1 L2 L3	770-125	25

Color	Coding	Marking	Item Number	PU
● black	A	N ⊕ L1 L2 L3	770-115	25
○ white	A	N ⊕ L1 L2 L3	770-135	25

3



Overall length when mated

Overall length when mated

Item-Specific Accessories

Item-Specific Accessories



Lockout cap; for socket; separable; No. of poles: 12

Color	Item Number	PU
● black	770-201	100
○ white	770-221	100

Lockout cap; for plug; separable; No. of poles: 5

Color	Item Number	PU
● yellow	770-360	100

Accessories; for all products on this page



Locking lever; for flying leads; manually operated		
Color	Item Number	PU (SPU)
● black	770-101	100 (25)
○ white	770-121	100 (25)

Locking lever; for flying leads; tool operated		
Color	Item Number	PU (SPU)
● black	770-111	100 (25)
○ white	770-131	100 (25)

PU = Packaging Unit; SPU = Subpackaging Unit; Dimensions in mm

Pluggable Connector ▶ WINSTA® MIDI ▶ Serie 770

No. of poles: 5 ▶ Protection class: IP20

Number of connection points: 2 ▶ Female connector/socket



Standard network application

Color	Coding	Marking	Item Number	PU
● black	A	N ⊕ L1 L2 L3	770-205	50
○ white	A	N ⊕ L1 L2 L3	770-225	50

Lighting management

Color	Coding	Marking	Item Number	PU
● blue	I	N ⊕ L DA- DA+	770-1105	50

Emergency power supply

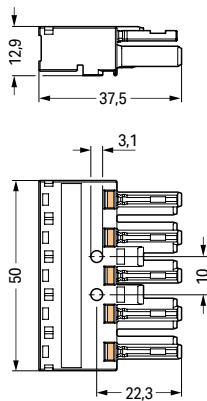
Color	Coding	Marking	Item Number	PU
● dark gray	L	N ⊕ L N' L'	770-1165	50

Computer applications (UPS)

Color	Coding	Marking	Item Number	PU
● red	P	N ⊕ L1 L2 L3	770-1305	50

„Clean Earth“

Color	Coding	Marking	Item Number	PU
● green	Q	N PE1 PE2 PE3 L	770-1325	50



Accessories; for all products on this page



Locking lever; for flying leads; manually operated

Color	Item Number	PU (SPU)
● black	770-101	100 (25)
○ white	770-121	100 (25)



Locking lever; for flying leads; tool operated

Color	Item Number	PU (SPU)
● black	770-111	100 (25)
○ white	770-131	100 (25)



Lockout cap; for socket; separable; No. of poles: 12

Color	Item Number	PU
● black	770-201	100
○ white	770-221	100



Strain relief housing; Connectable sheathed cable diameter: 9 ... 13 mm; Strip length: 55 mm

Color	Item Number	PU
● black	770-505	25
○ white	770-515	25

PU = Packaging Unit; SPU = Subpackaging Unit; Dimensions in mm

Pluggable Connector ▶ WINSTA® MIDI ▶ Serie 770

No. of poles: 5 ▶ Protection class: IP20

Number of connection points: 2 ▶ Male connector/plug



Standard network application

Color	Coding	Marking	Item Number	PU
● black	A	N ⊕ L1 L2 L3	770-215	50
○ white	A	N ⊕ L1 L2 L3	770-235	50

Lighting management

Color	Coding	Marking	Item Number	PU
● blue	I	N ⊕ L DA- DA+	770-1115	50

Emergency power supply

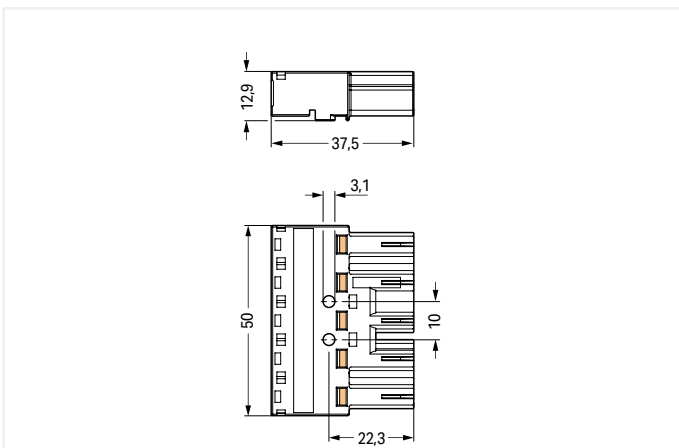
Color	Coding	Marking	Item Number	PU
● dark gray	L	N ⊕ L N' L'	770-1175	50

Computer applications (UPS)

Color	Coding	Marking	Item Number	PU
● red	P	N ⊕ L1 L2 L3	770-1315	50

„Clean Earth“

Color	Coding	Marking	Item Number	PU
● green	Q	N PE1 PE2 PE3 L	770-1335	50



Accessories; for all products on this page



Locking lever; for flying leads; manually operated			
Color	Item Number	PU (SPU)	
● black	770-101	100 (25)	
○ white	770-121	100 (25)	



Locking lever; for flying leads; tool operated			
Color	Item Number	PU (SPU)	
● black	770-111	100 (25)	
○ white	770-131	100 (25)	



Lockout cap; for plug; separable; No. of poles: 5			
Color	Item Number	PU	
● yellow	770-360	100	



Strain relief housing; Connectable sheathed cable diameter: 9 ... 13 mm; Strip length: 55 mm

Color	Item Number	PU
● black	770-505	25
○ white	770-515	25

PU = Packaging Unit; SPU = Subpackaging Unit; Dimensions in mm

Pluggable Connector ▶ WINSTA® MIDI ▶ Serie 770

No. of poles: 5 ▶ Protection class: IP20

Number of connection points: 1 ▶ strain relief housing ▶ Female connector/socket ▶ Strip length: 55 mm ▶ Standard network application

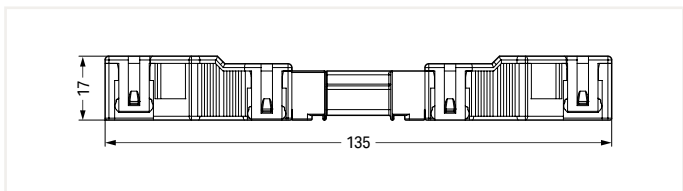
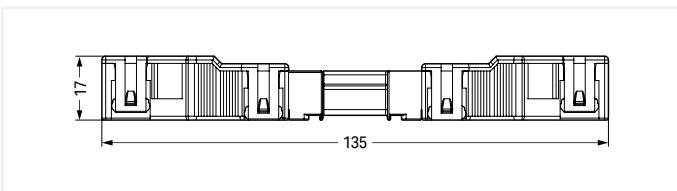
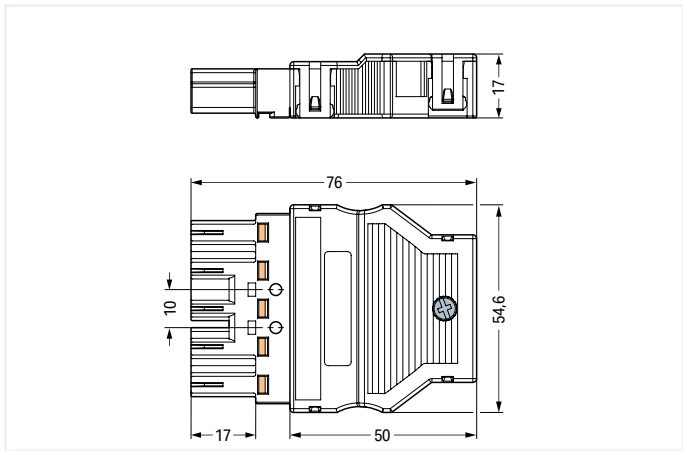
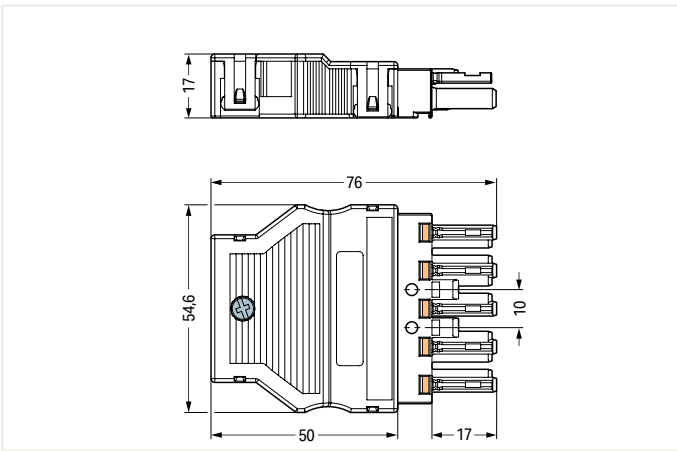
Number of connection points: 1 ▶ strain relief housing ▶ Male connector/plug ▶ Strip length: 55 mm ▶ Standard network application



3

Color	Coding	Marking	Item Number	PU
● black	A	N ⊕ L1 L2 L3	770-305	25
○ white	A	N ⊕ L1 L2 L3	770-325	25

Color	Coding	Marking	Item Number	PU
● black	A	N ⊕ L1 L2 L3	770-315	25
○ white	A	N ⊕ L1 L2 L3	770-335	25



Overall length when mated

Overall length when mated

Item-Specific Accessories

Item-Specific Accessories



Lockout cap; for socket; separable; No. of poles: 12

Color	Item Number	PU
● black	770-201	100
○ white	770-221	100

Lockout cap; for plug; separable; No. of poles: 5

Color	Item Number	PU
● yellow	770-360	100

Accessories; for all products on this page



Locking lever; for flying leads; manually operated

Color	Item Number	PU (SPU)
● black	770-101	100 (25)
○ white	770-121	100 (25)

Locking lever; for flying leads; tool operated

Color	Item Number	PU (SPU)
● black	770-111	100 (25)
○ white	770-131	100 (25)

PU = Packaging Unit; SPU = Subpackaging Unit; Dimensions in mm

Pluggable Connector ▶ WINSTA® MIDI ▶ Serie 770

No. of poles: 5 ▶ Protection class: IP20

Number of connection points: 1 ▶ Female connector/socket ▶ Standard network application

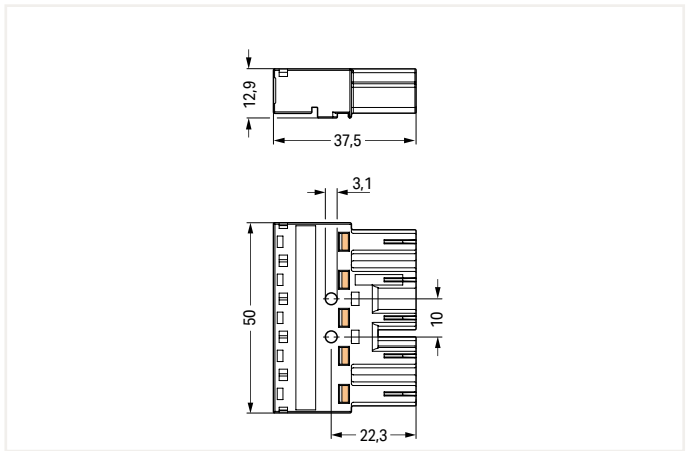
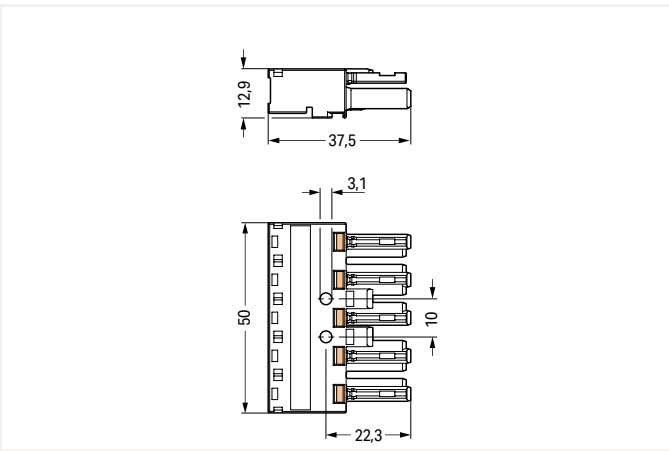
Number of connection points: 1 ▶ Male connector/plug ▶ Standard network application



Color	Coding	Marking	Item Number	PU
● black	A	N ⊕ L1 L2 L3	770-405	50
○ white	A	N ⊕ L1 L2 L3	770-425	50

Color	Coding	Marking	Item Number	PU
● black	A	N ⊕ L1 L2 L3	770-415	50
○ white	A	N ⊕ L1 L2 L3	770-435	50

3



Item-Specific Accessories



Lockout cap; for socket; separable; No. of poles: 12

Color	Item Number	PU
● black	770-201	100
○ white	770-221	100

Item-Specific Accessories



Lockout cap; for plug; separable; No. of poles: 5

Color	Item Number	PU
● yellow	770-360	100

Accessories; for all products on this page



Locking lever; for flying leads; manually operated

Color	Item Number	PU (SPU)
● black	770-101	100 (25)
○ white	770-121	100 (25)

Locking lever; for flying leads; tool operated

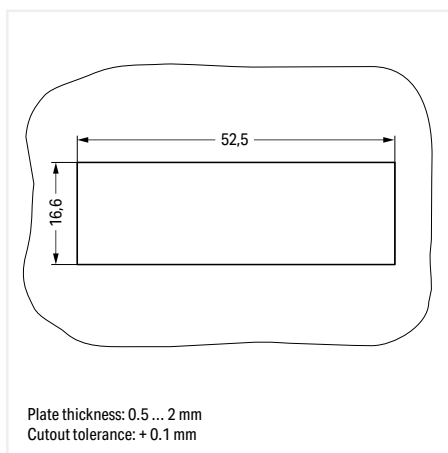
Color	Item Number	PU (SPU)
● black	770-111	100 (25)
○ white	770-131	100 (25)

PU = Packaging Unit; SPU = Subpackaging Unit; Dimensions in mm

Snap-In Device Connector ▶ WINSTA® MIDI ▶ Serie 770**No. of poles: 5 ▶ Number of connection points: 2 ▶ Protection class: IP20**

- Protected against mismatching and maintenance-free
- Push-in CAGE CLAMP® spring pressure connection technology allows solid conductors to be simply pushed into a unit
- Two-wire connection per pole for loops or bridges
- Additional variable coding is possible

3



Electrical Data						
Coding	A; I; P			Q		
Ratings per	IEC/EN 60664-1			IEC/EN 60664-1		
Overvoltage category	III	III	II	III	III	II
Pollution degree	3	2	2	3	2	2
Rated voltage	400 V	-	-	400 V	-	-
Rated impulse voltage	6 kV	-	-	6 kV	-	-
Rated current	25 A	-	-	32 A	-	-

Connection Data	
Connection technology	Push-in CAGE CLAMP®
Strip length	9 mm / 0.35 inch
Nominal cross section	4 mm²
Solid conductor	0.5 ... 4 mm² / 20 ... 12 AWG
Solid conductor, push-in termination	1.5 ... 4 mm² / 16 ... 12 AWG
Stranded conductor	0.5 ... 2.5 mm² / 20 ... 14 AWG
Fine-stranded conductor	0.5 ... 4 mm² / 20 ... 12 AWG
Fine-stranded conductor with ferrule with plastic collar	0.25 ... 1.5 mm² / 20 ... 16 AWG
Fine-stranded conductor with ferrule without plastic collar	0.25 ... 2.5 mm² / 20 ... 14 AWG
Fine-stranded conductor with ferrule, push-in termination, from	1.5 mm² / 16 AWG

Material Data	
Insulating material	Polyamide 66 (PA 66)
Clamping spring material	Chrome nickel spring steel (CrNi)
Contact material	Copper or copper alloy; surface-treated

Mechanical Data	
Number of mating cycles	200, without resistive load 100, with resistive load $I_N = 25$ A, tested (4 mm²/AWG 12)
Mating force of a plug-in connection	Approx. 20 ... 70 N (depending on pole number)
Unmating force of a plug-in connection	When unlocked: approx. 20 ... 70 N (depending on pole number)
Retention force of a plug-in connection	When locked: > 80 N
Protection class	IP20
Note on protection class	In mated condition: IP2xC (These compact connectors are not designed for use in open, easily accessible areas.)

Environmental Requirements	
Processing temperature	-5 ... +40 °C
Continuous operating temperature	-35 ... +85 °C
Note on continuous service temperature	Insulating parts for temperatures ≤ 105 °C

All connectors for mounted installations (snap-in versions for lighting fixtures or devices, all types of PCB and distribution connectors) are factory-equipped with locking levers to ensure plugs and sockets are securely locked. Additional locking levers are only required for flying leads (plug/socket).

Application note for the U.S. market (USR): Some versions may also be used for current interruption in accordance with the UL certificate in select applications with currents below 16 A and voltages up to 600 V. For further information, please contact your local sales office.

All WINSTA® components are 100% protected against mismatching in terms of:

- plugging different number of poles
- plugging when turned by 180°
- plugging when laterally staggered
- plugging one pole

Tools Page 492

Additional information, see "Technical Section"

Approvals and corresponding ratings, visit www.wago.com

Snap-In Device Connector ▶ WINSTA® MIDI ▶ Serie 770

No. of poles: 5 ▶ Number of connection points: 2 ▶ Protection class: IP20

Female connector/socket



Standard network application

Color	Coding	Marking	Item Number	PU
● black	A	N ⊕ L1 L2 L3	770-705	50
○ white	A	N ⊕ L1 L2 L3	770-725	50

Lighting management

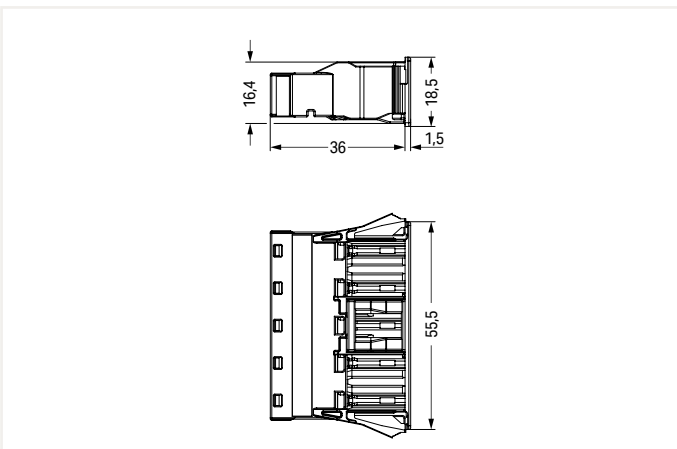
Color	Coding	Marking	Item Number	PU
● blue	I	N ⊕ L DA- DA+	770-2105	50

Computer applications (UPS)

Color	Coding	Marking	Item Number	PU
● red	P	N ⊕ L1 L2 L3	770-2305	50

„Clean Earth“

Color	Coding	Marking	Item Number	PU
● green	Q	N PE1 PE2 PE3 L	770-2325	50



Accessories; for all products on this page



Lockout cap; for socket; separable; No. of poles: 12

Color	Item Number	PU
● black	770-201	100
○ white	770-221	100

Lockout cap; for cutout; No. of poles: 5

Color	Item Number	PU
● black	770-645	100
○ white	770-695	100

PU = Packaging Unit; SPU = Subpackaging Unit; Dimensions in mm

Snap-In Device Connector ▶ WINSTA® MIDI ▶ Serie 770

No. of poles: 5 ▶ Number of connection points: 2 ▶ Protection class: IP20

Male connector/plug

**Standard network application**

Color	Coding	Marking	Item Number	PU
● black	A	N ⊕ L1 L2 L3	770-715	50
○ white	A	N ⊕ L1 L2 L3	770-735	50

Lighting management

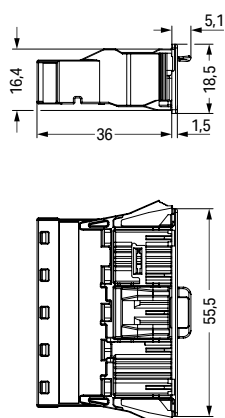
Color	Coding	Marking	Item Number	PU
● blue	I	N ⊕ L DA- DA+	770-2115	50

Computer applications (UPS)

Color	Coding	Marking	Item Number	PU
● red	P	N ⊕ L1 L2 L3	770-2315	50

„Clean Earth“

Color	Coding	Marking	Item Number	PU
● green	Q	N PE1 PE2 PE3 L	770-2335	50

**Accessories; for all products on this page**

Lockout cap; for plug; separable; No. of poles: 5

Color	Item Number	PU
● yellow	770-360	100



Lockout cap; for cutout; No. of poles: 5

Color	Item Number	PU
● black	770-645	100
○ white	770-695	100

PU = Packaging Unit; SPU = Subpackaging Unit; Dimensions in mm

Snap-In Device Connector ▶ WINSTA® MIDI ▶ Serie 770

No. of poles: 5 ▶ Number of connection points: 2 ▶ Protection class: IP20

With protruding interface ▶ Female connector/socket ▶ Standard network application

With direct ground contact ▶ Male connector/plug

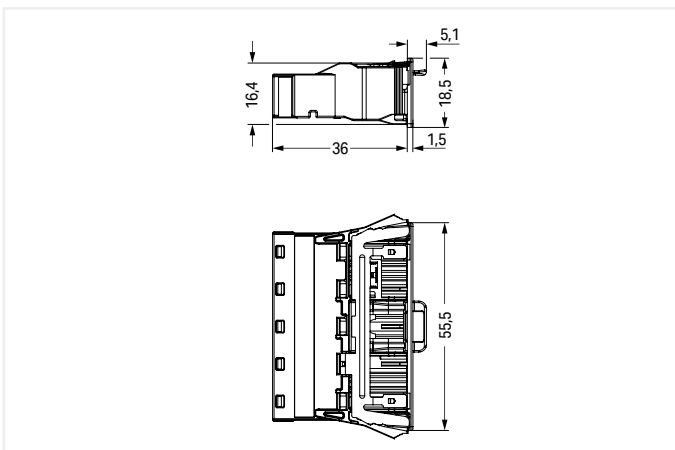
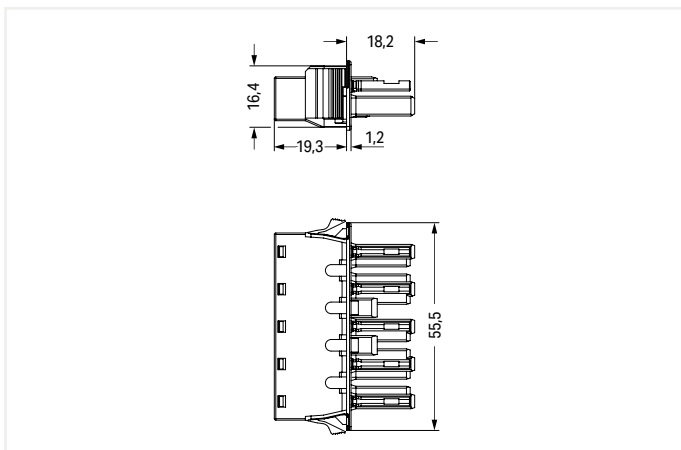


Color	Coding	Marking	Item Number	PU
● black	A	N ⊕ L1 L2 L3	770-705/009-000	50
○ white	A	N ⊕ L1 L2 L3	770-725/009-000	50

Standard network application				
Color	Coding	Marking	Item Number	PU
● black	A	N ⊕ L1 L2 L3	770-715/007-000	50
○ white	A	N ⊕ L1 L2 L3	770-735/007-000	50

Lighting management				
Color	Coding	Marking	Item Number	PU
● blue	I	N ⊕ L DA- DA+	770-2115/007-000	50

„Clean Earth“				
Color	Coding	Marking	Item Number	PU
● green	Q	N PE1 PE2 PE3 L	770-2335/007-000	50



Item-Specific Accessories



Lockout cap; for socket; separable; No. of poles: 12

Color	Item Number	PU
● black	770-201	100
○ white	770-221	100

Item-Specific Accessories



Lockout cap; for plug; separable; No. of poles: 5

Color	Item Number	PU
● yellow	770-360	100

Accessories; for all products on this page



Lockout cap; for cutout; No. of poles: 5

Color	Item Number	PU
● black	770-645	100
○ white	770-695	100

PU = Packaging Unit; SPU = Subpackaging Unit; Dimensions in mm

Pluggable PCB Connector ▶ WINSTA® MIDI ▶ Serie 770

No. of poles: 5



- Protected against mismatching and maintenance-free
- Push-in CAGE CLAMP® spring pressure connection technology allows solid conductors to be simply pushed into a unit
- Two-wire connection per pole for loops or bridges
- Additional variable coding is possible

Electrical Data

Coding	A; I		
Ratings per	IEC/EN 60664-1		
Overvoltage category	III	III	II
Pollution degree	3	2	2
Rated voltage	400 V	-	-
Rated impulse voltage	6 kV	-	-
Rated current	25 A	-	-

Material Data

Insulating material	Polyamide 66 (PA 66)
Clamping spring material	Chrome nickel spring steel (CrNi)
Contact material	Copper or copper alloy; surface-treated

Mechanical Data

Solder pin arrangement	2 in-line solder pins/pole
Solder pin length	3.5 mm
Solder pin dimensions	1 x 0.8 mm
Drilled hole diameter (tolerance)	1.5 (+0.1 ... +0.1) mm
Number of mating cycles	200, without resistive load 100, with resistive load $I_N = 25$ A, tested (4 mm ² /AWG 12)
Mating force of a plug-in connection	Approx. 20 ... 70 N (depending on pole number)
Unmating force of a plug-in connection	When unlocked: approx. 20 ... 70 N (depending on pole number)
Retention force of a plug-in connection	When locked: > 80 N

Environmental Requirements

Processing temperature	-5 ... +40 °C
Continuous operating temperature	-35 ... +85 °C
Note on continuous service temperature	Insulating parts for temperatures ≤ 105 °C

All connectors for mounted installations (snap-in versions for lighting fixtures or devices, all types of PCB and distribution connectors) are factory-equipped with locking levers to ensure plugs and sockets are securely locked. Additional locking levers are only required for flying leads (plug/socket).

Application note for the U.S. market (USR): Some versions may also be used for current interruption in accordance with the UL certificate in select applications with currents below 16 A and voltages up to 600 V. For further information, please contact your local sales office.

All WINSTA® components are 100% protected against mismatching in terms of:

- plugging different number of poles
- plugging when turned by 180°
- plugging when laterally staggered
- plugging one pole

Coding Page 474

Additional information, see "Technical Section"

Approvals and corresponding ratings, visit www.wago.com

Pluggable PCB Connector ▶ WINSTA® MIDI ▶ Serie 770

No. of poles: 5

Straight ▶ Female connector/socket



Straight ▶ Male connector/plug



Standard network application

Color	Coding	Marking	Item Number	PU
● black	A	N ⊕ L1 L2 L3	770-805	50
○ white	A	N ⊕ L1 L2 L3	770-825	50

Standard network application

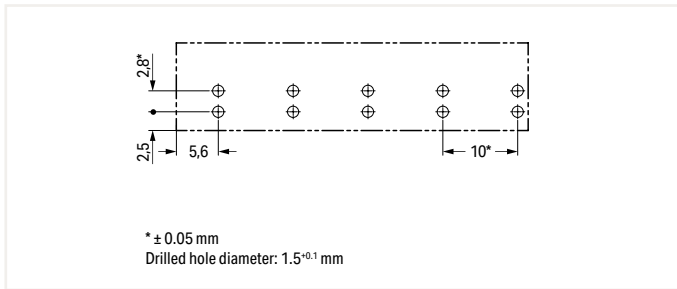
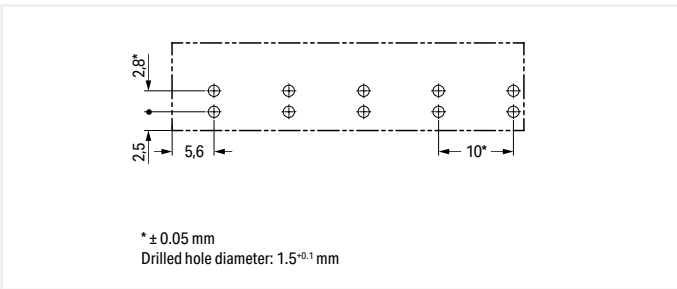
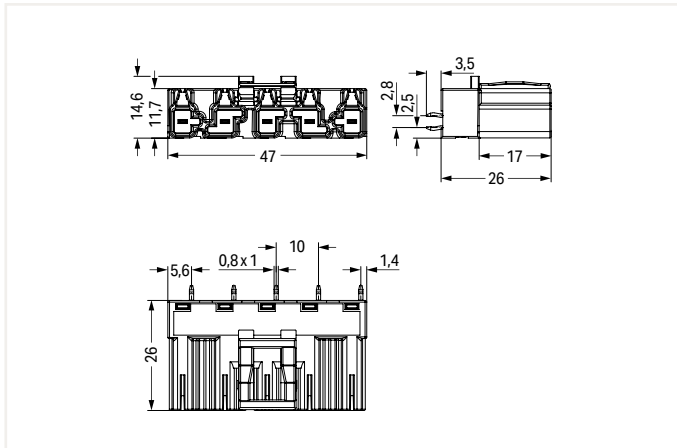
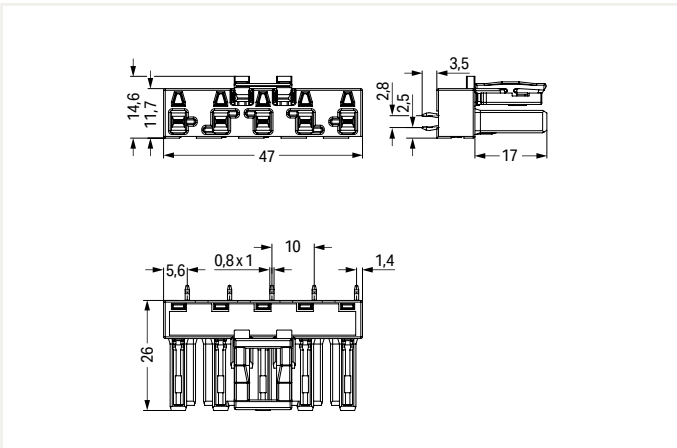
Color	Coding	Marking	Item Number	PU
● black	A	N ⊕ L1 L2 L3	770-815	50
○ white	A	N ⊕ L1 L2 L3	770-835	50

Lighting management

Color	Coding	Marking	Item Number	PU
● blue	I	N ⊕ L DA- DA+	770-3105	50

Lighting management

Color	Coding	Marking	Item Number	PU
● blue	I	N ⊕ L DA- DA+	770-3115	50



Item-Specific Accessories



Lockout cap; for socket; separable; No. of poles: 12

Color	Item Number	PU
● black	770-201	100
○ white	770-221	100

Item-Specific Accessories



Lockout cap; for plug; separable; No. of poles: 5

Color	Item Number	PU
● yellow	770-360	100

PU = Packaging Unit; SPU = Subpackaging Unit; Dimensions in mm

Pluggable PCB Connector ▶ WINSTA® MIDI ▶ Serie 770

No. of poles: 5

Angled ▶ Female connector/socket

Angled ▶ Male connector/plug



Standard network application

Color	Coding	Marking	Item Number	PU
● black	A	N ⊕ L1 L2 L3	770-805/011-000	50
○ white	A	N ⊕ L1 L2 L3	770-825/011-000	50

Standard network application

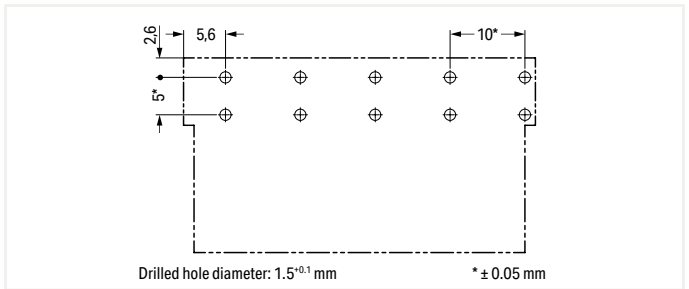
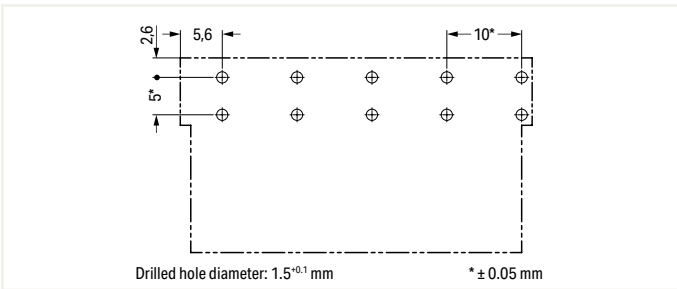
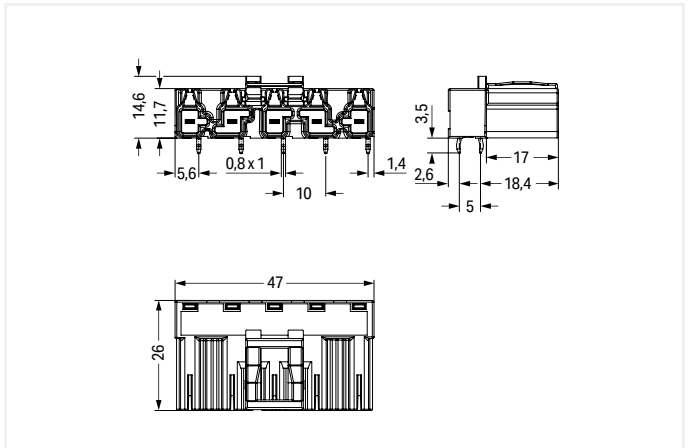
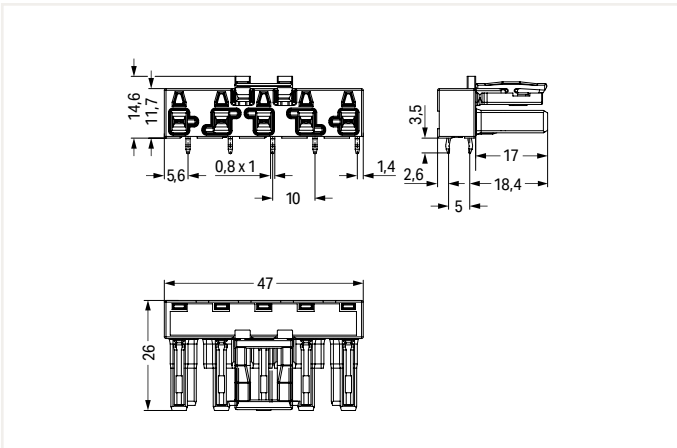
Color	Coding	Marking	Item Number	PU
● black	A	N ⊕ L1 L2 L3	770-815/011-000	50
○ white	A	N ⊕ L1 L2 L3	770-835/011-000	50

Lighting management

Color	Coding	Marking	Item Number	PU
● blue	I	N ⊕ L DA- DA+	770-3105/011-000	50

Lighting management

Color	Coding	Marking	Item Number	PU
● blue	I	N ⊕ L DA- DA+	770-3115/011-000	50



Item-Specific Accessories



Lockout cap; for socket; separable; No. of poles: 12

Color	Item Number	PU
● black	770-201	100
○ white	770-221	100

Item-Specific Accessories



Lockout cap; for plug; separable; No. of poles: 5

Color	Item Number	PU
● yellow	770-360	100

Sold & Serviced By:



Toll Free Phone (877) SERV098
www.electromate.com
sales@electromate.com

Distribution Connector ▶ WINSTA® MIDI ▶ Serie 770

No. of poles: 5



- Protected against mismatching and maintenance-free
- Additional variable coding is possible

3

Electrical Data			
Coding	A; I; P; L		
Ratings per	IEC/EN 60664-1		
Overvoltage category	III	III	II
Pollution degree	3	2	2
Rated voltage	400 V	-	-
Rated impulse voltage	6 kV	-	-
Rated current	25 A	-	-

Material Data	
Insulating material	Polyamide 66 (PA 66)
Contact material	Copper or copper alloy; surface-treated

Mechanical Data	
Number of mating cycles	200, without resistive load 100, with resistive load $I_N = 25$ A, tested (4 mm ² /AWG 12)
Mating force of a plug-in connection	approx. 20 ... 70 N (depending on pole number)
Unmating force of a plug-in connection	when unlocked: approx. 20 ... 70 N (depending on pole number)
Retention force of a plug-in connection	When locked: > 80 N
Protection class	IP20
Note on protection class	In mated condition: IP2xC (These compact connectors are not designed for use in open, easily accessible areas.)

Environmental Requirements	
Processing temperature	-5 ... +40 °C
Continuous operating temperature	-35 ... +85 °C
Note on continuous service temperature	Insulating parts for temperatures ≤ 105 °C

All connectors for mounted installations (snap-in versions for lighting fixtures or devices, all types of PCB and distribution connectors) are factory-equipped with locking levers to ensure plugs and sockets are securely locked. Additional locking levers are only required for flying leads (plug/socket).

At least one snap-in connector **without** a locking lever is required on one side when connecting two lights directly via intermediate coupler.

Application note for the U.S. market (USR): Some versions may also be used for current interruption in accordance with the UL certificate in select applications with currents below 16 A and voltages up to 600 V. For further information, please contact your local sales office.

All WINSTA® components are 100% protected against mismatching in terms of:

- plugging different number of poles
- plugging when turned by 180°
- plugging when laterally staggered
- plugging one pole

Tools Page 492

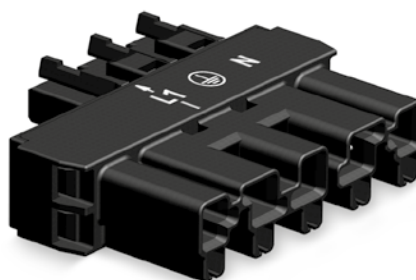
Additional information, see "Technical Section"

Approvals and corresponding ratings, visit www.wago.com

Distribution Connector ▶ WINSTA® MIDI ▶ Serie 770

No. of poles: 5

Intermediate coupler



3

Standard network application

Color	Coding	Marking	Item Number	PU
● black	A		770-605	100
○ white	A		770-655	100

Lighting management

Color	Coding	Marking	Item Number	PU
● blue	I		770-619	100

Standard network application ▶ 5- to 3-pole; L1 - L

Color	Coding	Marking	Item Number	PU
● black	A	L1 - L ⊕ N	770-901	50
○ white	A	L1 - L ⊕ N	770-951	50

Standard network application ▶ 5- to 3-pole; L2 - L

Color	Coding	Marking	Item Number	PU
● black	A	L2 - L ⊕ N	770-902	50
○ white	A	L2 - L ⊕ N	770-952	50

Standard network application ▶ 5- to 3-pole; L3 - L

Color	Coding	Marking	Item Number	PU
● black	A	L3 - L ⊕ N	770-903	50
○ white	A	L3 - L ⊕ N	770-953	50

Computer applications (UPS) ▶ 5- to 3-pole; L1 - L

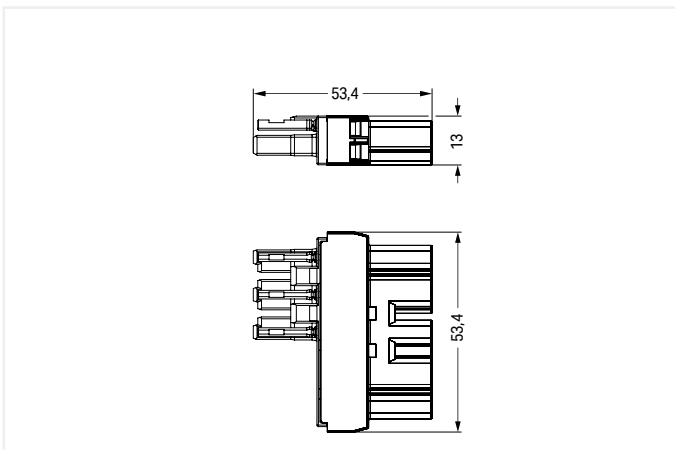
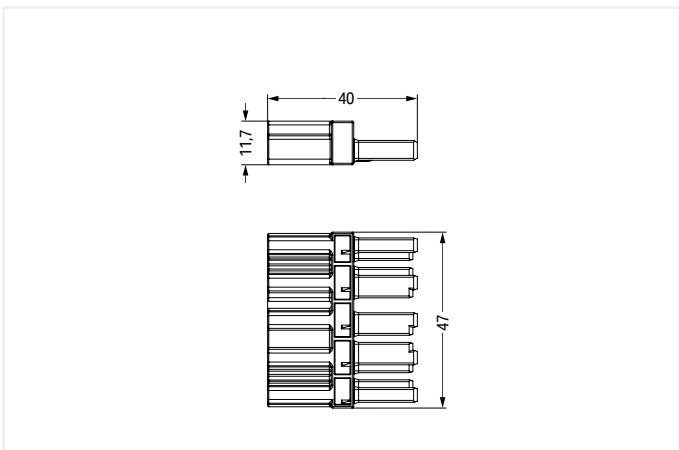
Color	Coding	Marking	Item Number	PU
● red	P	L1 - L ⊕ N	770-911	50

Computer applications (UPS) ▶ 5- to 3-pole; L2 - L

Color	Coding	Marking	Item Number	PU
● red	P	L2 - L ⊕ N	770-912	50

Computer applications (UPS) ▶ 5- to 3-pole; L3 - L

Color	Coding	Marking	Item Number	PU
● red	P	L3 - L ⊕ N	770-913	50



Accessories; for all products on this page



Lockout cap; for socket; separable; No. of poles: 12

Color	Item Number	PU
● black	770-201	100
○ white	770-221	100

Lockout cap; for plug; separable; No. of poles: 5

Color	Item Number	PU
● yellow	770-360	100

PU = Packaging Unit; SPU = Subpackaging Unit; Dimensions in mm

Distribution Connector ▶ WINSTA® MIDI ▶ Serie 770

No. of poles: 5

Linect® T-connector



T-distribution connector ▶ Number of locking levers: 2



3

Standard network application

Color	Coding	Marking	Item Number	PU
○ white	A	N ⊕ L1 L2 L3	770-6225	20

Lighting management

Color	Coding	Marking	Item Number	PU
● blue	I	N ⊕ L DA- DA+	770-7105	20

Emergency power supply

Color	Coding	Marking	Item Number	PU
● dark gray	L	N ⊕ L N' L'	770-7505	20

Standard network application

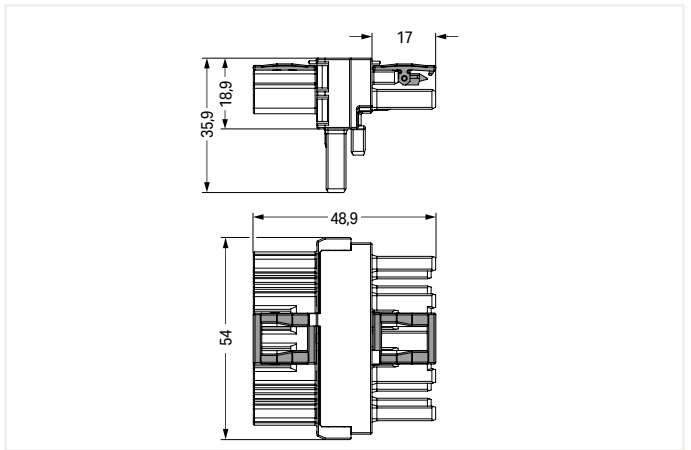
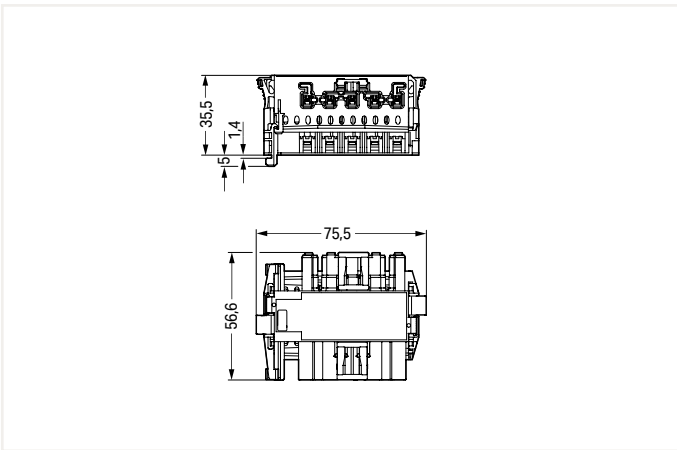
Color	Coding	Marking	Item Number	PU
● black	A	N ⊕ L1 L2 L3	770-621	50
○ white	A	N ⊕ L1 L2 L3	770-671	50

Lighting management

Color	Coding	Marking	Item Number	PU
● blue	I	N ⊕ L DA- DA+	770-617	50

Computer applications (UPS)

Color	Coding	Marking	Item Number	PU
● red	P	N ⊕ L1 L2 L3	770-921	50



Accessories; for all products on this page



Lockout cap; for socket; separable; No. of poles: 12		
Color	Item Number	PU
● black	770-201	100
○ white	770-221	100



Lockout cap; for plug; separable; No. of poles: 5		
Color	Item Number	PU
● yellow	770-360	100

PU = Packaging Unit; SPU = Subpackaging Unit; Dimensions in mm

Distribution Connector ▶ WINSTA® MIDI ▶ Serie 770

No. of poles: 5

T-distribution connector ▶ Number of locking levers: 3 ▶ for flying leads

h-distribution connector, bi-directional ▶ Number of locking levers: 2 ▶ Lighting management

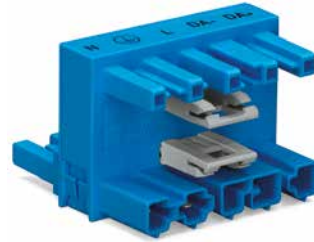


Fig. similar

Standard network application

Color	Coding	Marking	Item Number	PU
● black	A	N ⊕ L1 L2 L3	770-622	50
○ white	A	N ⊕ L1 L2 L3	770-672	50

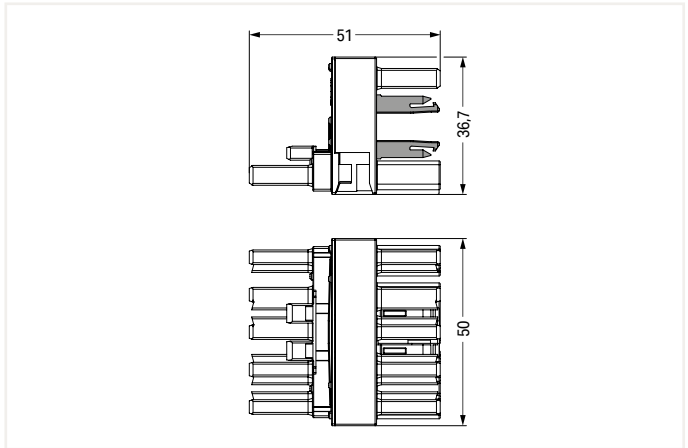
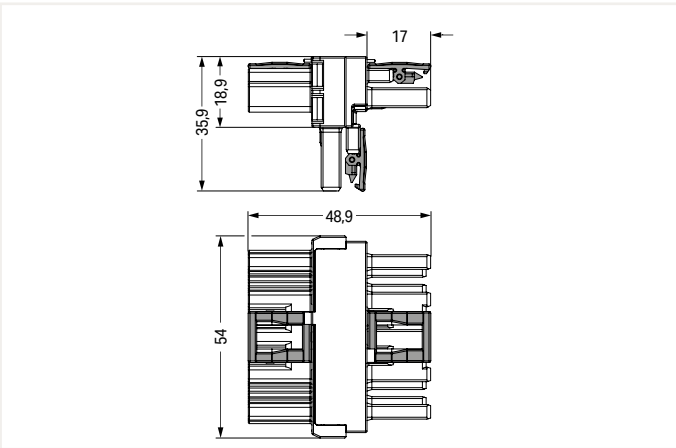
Lighting management

Color	Coding	Marking	Item Number	PU
● blue	I	N ⊕ L DA- DA+	770-620	50

Computer applications (UPS)

Color	Coding	Marking	Item Number	PU
● red	P	N ⊕ L1 L2 L3	770-922	50

Color	Coding	Marking	Item Number	PU
● blue	I	N ⊕ L DA- DA+	770-992	25



Item-Specific Accessories



Mounting plate; for distribution connector (except T-distribution connector); 5-pole

Color	Item Number	PU
● black	770-625	25
○ white	770-675	25

Accessories; for all products on this page



Lockout cap; for socket; separable; No. of poles: 12

Color	Item Number	PU
● black	770-201	100
○ white	770-221	100

Lockout cap; for plug; separable; No. of poles: 5

Color	Item Number	PU
● yellow	770-360	100

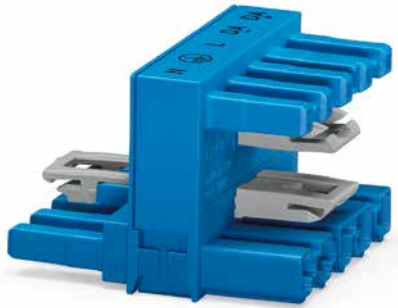
PU = Packaging Unit; SPU = Subpackaging Unit; Dimensions in mm

Distribution Connector ▶ WINSTA® MIDI ▶ Serie 770

No. of poles: 5

h-distribution connector, bi-directional ▶ Number of locking levers: 3 ▶ Lighting management ▶ for flying leads

Distribution connector, 3-way



3

Color	Coding	Marking	Item Number	PU
● blue	I	N ⊕ L DA- DA+	770-993	25

Standard network application

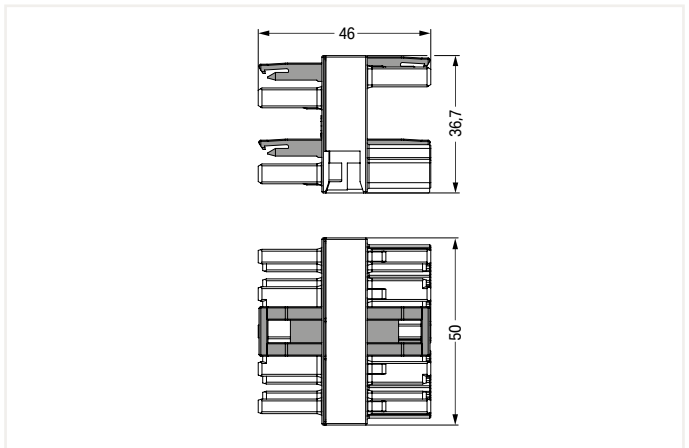
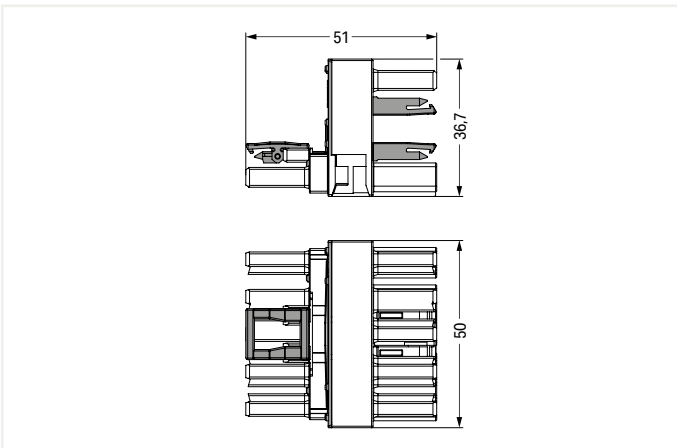
Color	Coding	Marking	Item Number	PU
● black	A	N ⊕ L1 L2 L3	770-609	25
○ white	A	N ⊕ L1 L2 L3	770-659	25

Lighting management

Color	Coding	Marking	Item Number	PU
● blue	I	N ⊕ L DA- DA+	770-618	25

Computer applications (UPS)

Color	Coding	Marking	Item Number	PU
● red	P	N ⊕ L1 L2 L3	770-909	25



Accessories; for all products on this page



Color	Item Number	PU
● black	770-201	100
○ white	770-221	100



Color	Item Number	PU
● yellow	770-360	100



Color	Item Number	PU
● black	770-625	25
○ white	770-675	25

PU = Packaging Unit; SPU = Subpackaging Unit; Dimensions in mm

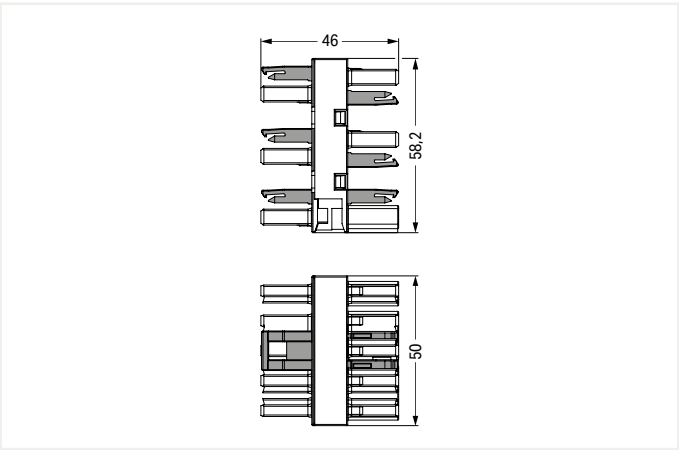
Distribution Connector ▶ WINSTA® MIDI ▶ Serie 770

No. of poles: 5

Distribution connector, 5-way ▶ Lighting management



Color	Coding	Marking	Item Number	PU
● blue	I	N ⊕ L DA- DA+	770-1947	20



3

Accessories; for all products on this page



Lockout cap; for socket; separable; No. of poles: 12		
Color	Item Number	PU
● black	770-201	100
○ white	770-221	100



Lockout cap; for plug; separable; No. of poles: 5		
Color	Item Number	PU
● yellow	770-360	100



Mounting plate; for distribution connector (except T-distribution connector); 5-pole		
Color	Item Number	PU
● black	770-625	25
○ white	770-675	25

PU = Packaging Unit; SPU = Subpackaging Unit; Dimensions in mm

Distribution Connector ▶ WINSTA® MIDI ▶ Serie 770

No. of poles: 5

Three-phase to single-phase distribution connector



Movable jumper



Jumper pushed down, flush with the housing (position L1)



Additional h-distribution connectors double L1 and L3. This results in the following connection option: L1/L1/L2/L2/L3/L3 with jumper in position L2

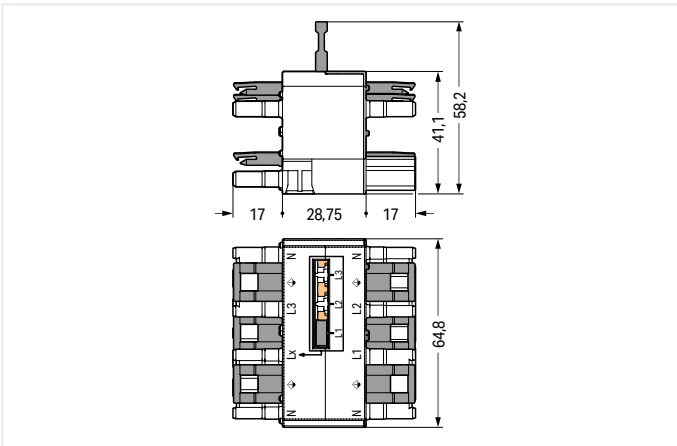
Notice: h-distribution connectors can only be plugged on L1 and L3.

Standard network application

Color	Coding	Marking	Item Number	PU
● black	A		770-640	10
○ white	A		770-690	10

Computer applications (UPS)

Color	Coding	Marking	Item Number	PU
● red	P		770-940	10



Accessories; for all products on this page



Color	Item Number	PU
● black	770-201	100
○ white	770-221	100



Color	Item Number	PU
● yellow	770-360	100



Color	Item Number	PU
● black	770-625	25
○ white	770-675	25

PU = Packaging Unit; SPU = Subpackaging Unit; Dimensions in mm

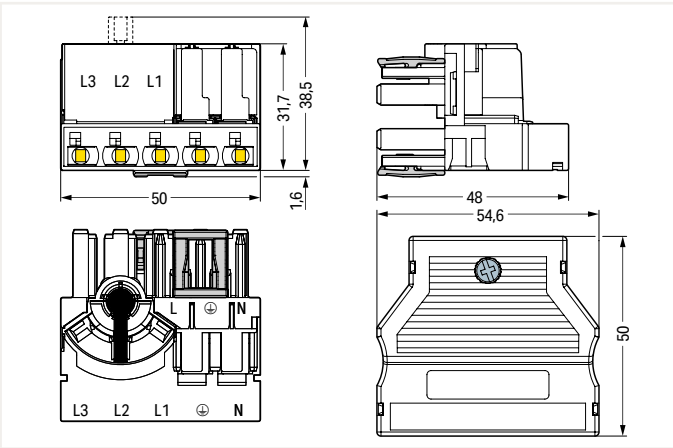
Distribution Connector ▶ WINSTA® MIDI ▶ Serie 770

No. of poles: 5

Distribution connector with phase selection ▶ Standard network application



Color	Coding	Marking	Item Number	PU
● black	A	N ⊕ L1 L2 L3	770-611	10
○ white	A	N ⊕ L1 L2 L3	770-661	10



Lift jumper out of delivery position (L2) using a screwdriver and move it into the desired position.



Push down jumper in its new position (picture shows L3).



The 5-pole energy circuit can be extended using pluggable cable assemblies.



Plugging a 3-pole tap-off cable.

Accessories; for all products on this page



Lockout cap; for socket; separable; No. of poles: 12		
Color	Item Number	PU
● black	770-201	100
○ white	770-221	100



Lockout cap; for plug; separable; No. of poles: 5		
Color	Item Number	PU
● yellow	770-360	100



Mounting plate; for distribution connector (except T-distribution connector); 5-pole		
Color	Item Number	PU
● black	770-625	25
○ white	770-675	25

PU = Packaging Unit; SPU = Subpackaging Unit; Dimensions in mm

Cable Assembly ▶ WINSTA® MIDI ▶ Serie 771No. of poles: 5 ▶ Protection class: IP20 ▶ Reaction to fire class per EN 50575: E_{ca}

- Protected against mismatching and maintenance-free
- Additional variable coding is possible

3

Electrical Data									
Cross section of single conductor	1.5 mm ²			2.5 mm ²			4 mm ²		
Coding	A; I; L; P			A; I; L; P			A		
Ratings per	IEC/EN 60664-1			IEC/EN 60664-1			IEC/EN 60664-1		
Overtoltage category	III	III	II	III	III	II	III	III	II
Pollution degree	3	2	2	3	2	2	3	2	2
Rated voltage	400 V	-	-	400 V	-	-	400 V	-	-
Rated impulse voltage	6 kV	-	-	6 kV	-	-	6 kV	-	-
Rated current	16 A	-	-	20 A	-	-	25 A	-	-

Material Data	
Insulating material	Polyamide 66 (PA 66)
Contact material	Copper or copper alloy; surface-treated
Reaction to fire class per EN 50575	E _{ca}

Mechanical Data	
Number of mating cycles	200, without resistive load 100, with resistive load I _N = 25 A, tested (4 mm ² /AWG 12)
Mating force of a plug-in connection	approx. 20 ... 70 N (depending on pole number)
Unmating force of a plug-in connection	when unlocked: approx. 20 ... 70 N (depending on pole number)
Retention force of a plug-in connection	when locked: > 80N
Protection class	IP20
Note on protection class	In mated condition: IP2xC (These compact connectors are not designed for use in open, easily accessible areas.)

Environmental Requirements	
Processing temperature	-5 ... +40 °C
Continuous operating temperature	-35 ... +85 °C
Note on continuous service temperature	PVC cable for temperatures ≤ 70 °C (including halogen-free) Insulating parts for temperatures ≤ 105 °C

Cables with different fire load are available in the eShop

Application note for the U.S. market (USR): Some versions may also be used for current interruption in accordance with the UL certificate in select applications with currents below 16 A and voltages up to 600 V. For further information, please contact your local sales office.

All WINSTA® components are 100% protected against mismatching in terms of:

- plugging different number of poles
- plugging when turned by 180°
- plugging when laterally staggered
- plugging one pole

Cover Page 474

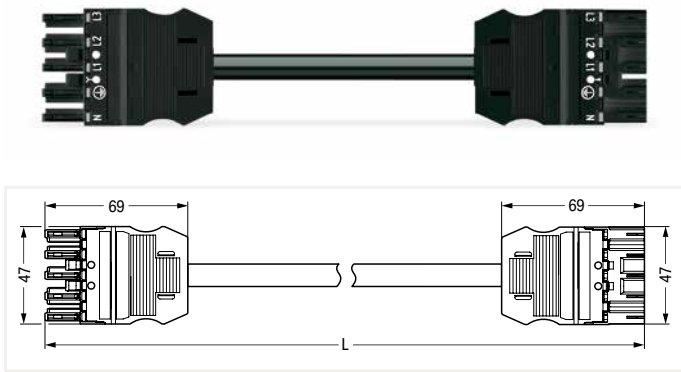
Marking Page 499

Additional information, see "Technical Section"

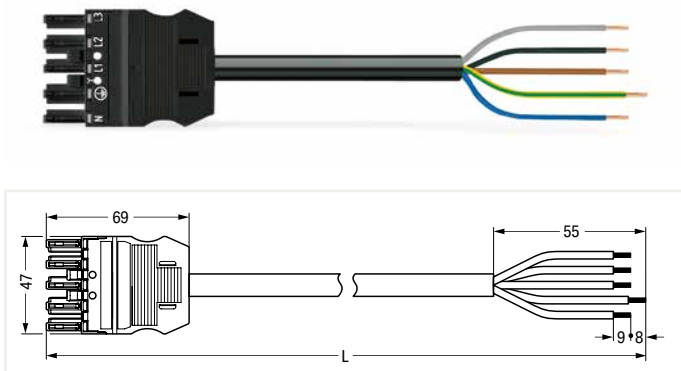
Approvals and corresponding ratings, visit www.wago.com

Cable Assembly ▶ WINSTA® MIDI ▶ Serie 771

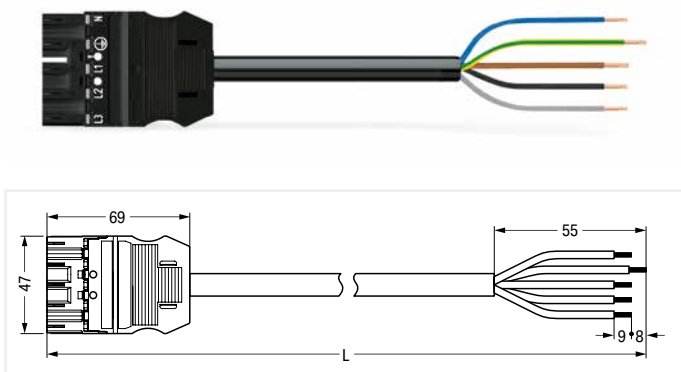
No. of poles: 5 ▶ Protection class: IP20 ▶ Reaction to fire class per EN 50575: E_{ca} ▶ 1.5 mm² ▶ Co-
ding: A ▶ Marking: N ⊕ L1 L2 L3 ▶ PVC ▶ Cable diameter: 9.3 ... 11.6 mm ▶ H05VV-F 5G1.5 ▶ Stan-
dard network application



Total length	Connector color / Strain relief color		PU
	black / black	white / white	
1 m	771-9995/006-101	771-9995/006-102	1
2 m	771-9995/006-201	771-9995/006-202	1
3 m	771-9995/006-301	771-9995/006-302	1
4 m	771-9995/006-401	771-9995/006-402	1
5 m	771-9995/006-501	771-9995/006-502	1
6 m	771-9995/006-601	771-9995/006-602	1
7 m	771-9995/006-701	771-9995/006-702	1
8 m	771-9995/006-801	771-9995/006-802	1



Total length	Connector color / Strain relief color		PU
	black / black	white / white	
1 m	771-9995/106-101	771-9995/106-102	1
2 m	771-9995/106-201	771-9995/106-202	1
3 m	771-9995/106-301	771-9995/106-302	1
4 m	771-9995/106-401	771-9995/106-402	1
5 m	771-9995/106-501	771-9995/106-502	1
6 m	771-9995/106-601	771-9995/106-602	1
7 m	771-9995/106-701	771-9995/106-702	1
8 m	771-9995/106-801	771-9995/106-802	1



Total length	Connector color / Strain relief color		PU
	black / black	white / white	
1 m	771-9995/206-101	771-9995/206-102	1
2 m	771-9995/206-201	771-9995/206-202	1
3 m	771-9995/206-301	771-9995/206-302	1
4 m	771-9995/206-401	771-9995/206-402	1
5 m	771-9995/206-501	771-9995/206-502	1
6 m	771-9995/206-601	771-9995/206-602	1
7 m	771-9995/206-701	771-9995/206-702	1
8 m	771-9995/206-801	771-9995/206-802	1

Accessories; for all products on this page



Locking lever; for flying leads; manually operated		
Color	Item Number	PU (SPU)
● black	770-101	100 (25)
○ white	770-121	100 (25)

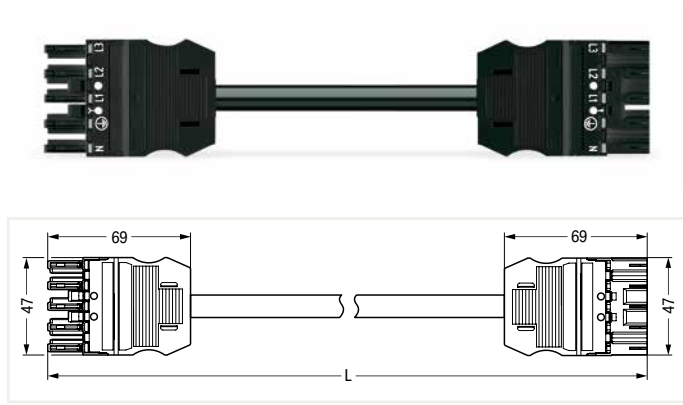
Locking lever; for flying leads; tool operated		
Color	Item Number	PU (SPU)
● black	770-111	100 (25)
○ white	770-131	100 (25)

PU = Packaging Unit; SPU = Subpackaging Unit; Dimensions in mm

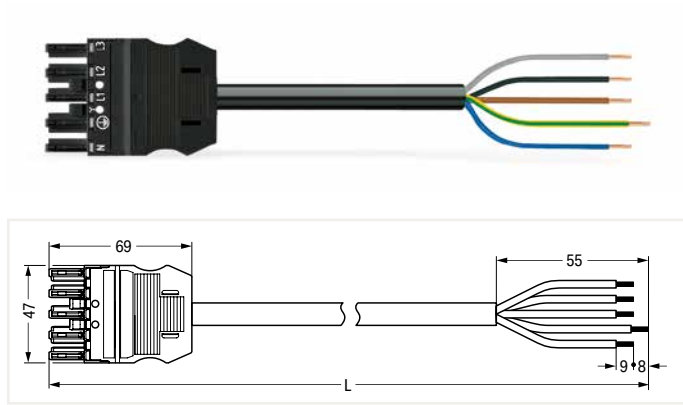
Cable Assembly ▶ WINSTA® MIDI ▶ Serie 771

No. of poles: 5 ▶ Protection class: IP20 ▶ Reaction to fire class per EN 50575: E_{ca} ▶ 1.5 mm² ▶ Coding: A ▶ Marking: N ⊕ L1 L2 L3 ▶ Halogen-free ▶ Cable diameter: 9.3 ... 11.6 mm ▶ H05Z1Z1-F 5G1.5 ▶ Standard network application

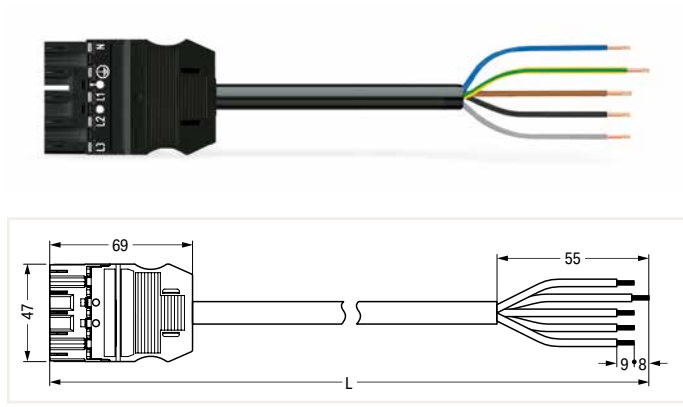
3



Total length	Connector color / Strain relief color		PU
	black / black	white / white	
1 m	771-9995/016-101	771-9995/016-102	1
2 m	771-9995/016-201	771-9995/016-202	1
3 m	771-9995/016-301	771-9995/016-302	1
4 m	771-9995/016-401	771-9995/016-402	1
5 m	771-9995/016-501	771-9995/016-502	1
6 m	771-9995/016-601	771-9995/016-602	1
7 m	771-9995/016-701	771-9995/016-702	1
8 m	771-9995/016-801	771-9995/016-802	1



Total length	Connector color / Strain relief color		PU
	black / black	white / white	
1 m	771-9995/116-101	771-9995/116-102	1
2 m	771-9995/116-201	771-9995/116-202	1
3 m	771-9995/116-301	771-9995/116-302	1
4 m	771-9995/116-401	771-9995/116-402	1
5 m	771-9995/116-501	771-9995/116-502	1
6 m	771-9995/116-601	771-9995/116-602	1
7 m	771-9995/116-701	771-9995/116-702	1
8 m	771-9995/116-801	771-9995/116-802	1



Total length	Connector color / Strain relief color		PU
	black / black	white / white	
1 m	771-9995/216-101	771-9995/216-102	1
2 m	771-9995/216-201	771-9995/216-202	1
3 m	771-9995/216-301	771-9995/216-302	1
4 m	771-9995/216-401	771-9995/216-402	1
5 m	771-9995/216-501	771-9995/216-502	1
6 m	771-9995/216-601	771-9995/216-602	1
7 m	771-9995/216-701	771-9995/216-702	1
8 m	771-9995/216-801	771-9995/216-802	1

Accessories; for all products on this page



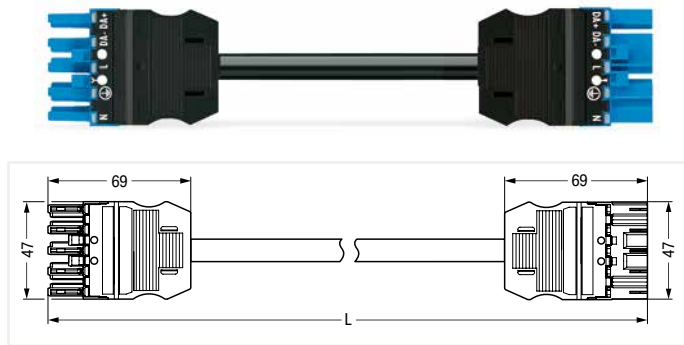
Locking lever; for flying leads; manually operated		
Color	Item Number	PU (SPU)
● black	770-101	100 (25)
○ white	770-121	100 (25)

Locking lever; for flying leads; tool operated		
Color	Item Number	PU (SPU)
● black	770-111	100 (25)
○ white	770-131	100 (25)

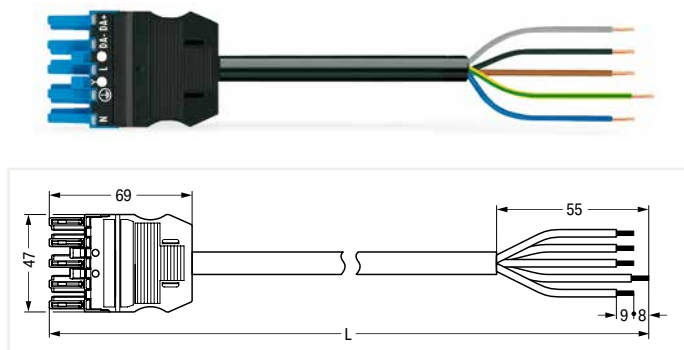
PU = Packaging Unit; SPU = Subpackaging Unit; Dimensions in mm

Cable Assembly ▶ WINSTA® MIDI ▶ Serie 771

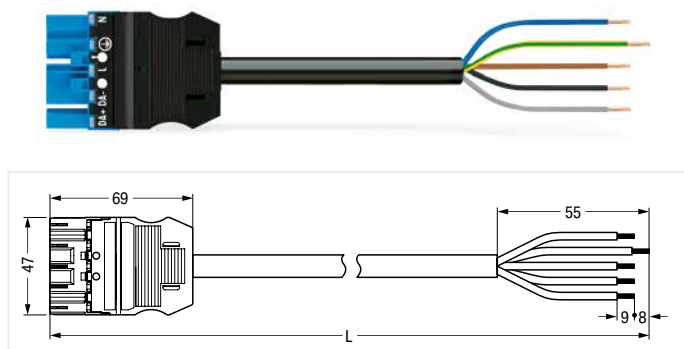
No. of poles: 5 ▶ Protection class: IP20 ▶ Reaction to fire class per EN 50575: E_{ca} ▶ 1.5 mm² ▶ Coding: I ▶ Marking: N ⊕ L DA- DA+ ▶ PVC ▶ Cable diameter: 9.3 ... 11.6 mm ▶ H05VV-F 5G1.5 ▶ Lighting management



Total length	Connector color / Strain relief color		PU
	blue / black	blue / white	
1 m	771-9985/006-101	771-9985/006-102	1
2 m	771-9985/006-201	771-9985/006-202	1
3 m	771-9985/006-301	771-9985/006-302	1
4 m	771-9985/006-401	771-9985/006-402	1
5 m	771-9985/006-501	771-9985/006-502	1
6 m	771-9985/006-601	771-9985/006-602	1
7 m	771-9985/006-701	771-9985/006-702	1
8 m	771-9985/006-801	771-9985/006-802	1



Total length	Connector color / Strain relief color		PU
	blue / black	blue / white	
1 m	771-9985/106-101	771-9985/106-102	1
2 m	771-9985/106-201	771-9985/106-202	1
3 m	771-9985/106-301	771-9985/106-302	1
4 m	771-9985/106-401	771-9985/106-402	1
5 m	771-9985/106-501	771-9985/106-502	1
6 m	771-9985/106-601	771-9985/106-602	1
7 m	771-9985/106-701	771-9985/106-702	1
8 m	771-9985/106-801	771-9985/106-802	1



Total length	Connector color / Strain relief color		PU
	blue / black	blue / white	
1 m	771-9985/206-101	771-9985/206-102	1
2 m	771-9985/206-201	771-9985/206-202	1
3 m	771-9985/206-301	771-9985/206-302	1
4 m	771-9985/206-401	771-9985/206-402	1
5 m	771-9985/206-501	771-9985/206-502	1
6 m	771-9985/206-601	771-9985/206-602	1
7 m	771-9985/206-701	771-9985/206-702	1
8 m	771-9985/206-801	771-9985/206-802	1

3

Accessories; for all products on this page



Locking lever; for flying leads; manually operated		
Color	Item Number	PU (SPU)
● black	770-101	100 (25)
○ white	770-121	100 (25)

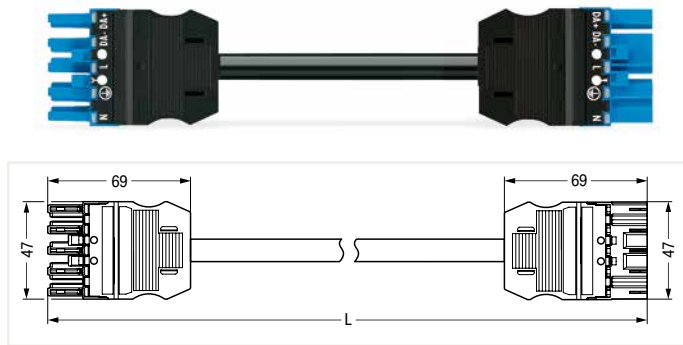
Locking lever; for flying leads; tool operated		
Color	Item Number	PU (SPU)
● black	770-111	100 (25)
○ white	770-131	100 (25)

PU = Packaging Unit; SPU = Subpackaging Unit; Dimensions in mm

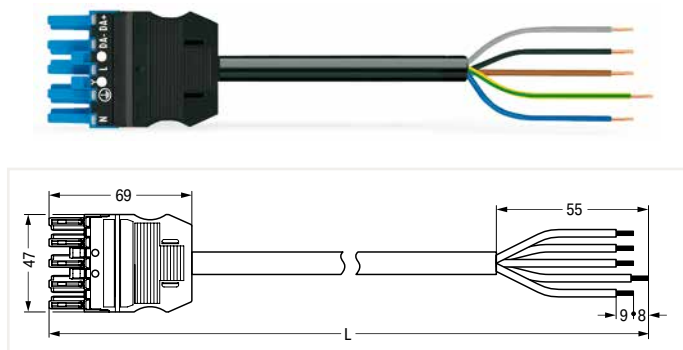
Cable Assembly ▶ WINSTA® MIDI ▶ Serie 771

No. of poles: 5 ▶ Protection class: IP20 ▶ Reaction to fire class per EN 50575: E_{ca} ▶ 1.5 mm² ▶ Coding: I ▶ Marking: N ⊕ L DA- DA+ ▶ Halogen-free ▶ Cable diameter: 9.3 ... 11.6 mm ▶ H05Z1Z1-F 5G1.5 ▶ Lighting management

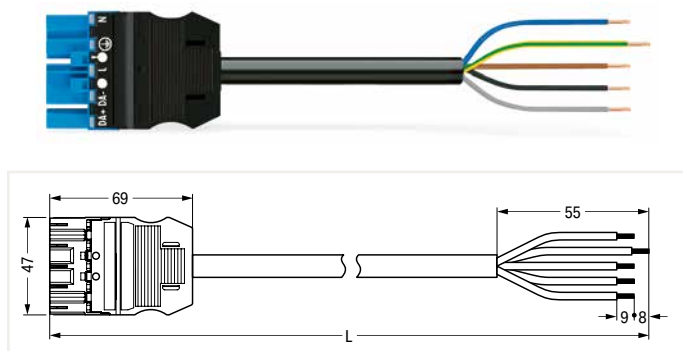
3



Total length	Connector color / Strain relief color		PU
	blue / black	blue / white	
1 m	771-9985/016-101	771-9985/016-102	1
2 m	771-9985/016-201	771-9985/016-202	1
3 m	771-9985/016-301	771-9985/016-302	1
4 m	771-9985/016-401	771-9985/016-402	1
5 m	771-9985/016-501	771-9985/016-502	1
6 m	771-9985/016-601	771-9985/016-602	1
7 m	771-9985/016-701	771-9985/016-702	1
8 m	771-9985/016-801	771-9985/016-802	1



Total length	Connector color / Strain relief color		PU
	blue / black	blue / white	
1 m	771-9985/116-101	771-9985/116-102	1
2 m	771-9985/116-201	771-9985/116-202	1
3 m	771-9985/116-301	771-9985/116-302	1
4 m	771-9985/116-401	771-9985/116-402	1
5 m	771-9985/116-501	771-9985/116-502	1
6 m	771-9985/116-601	771-9985/116-602	1
7 m	771-9985/116-701	771-9985/116-702	1
8 m	771-9985/116-801	771-9985/116-802	1



Total length	Connector color / Strain relief color		PU
	blue / black	blue / white	
1 m	771-9985/216-101	771-9985/216-102	1
2 m	771-9985/216-201	771-9985/216-202	1
3 m	771-9985/216-301	771-9985/216-302	1
4 m	771-9985/216-401	771-9985/216-402	1
5 m	771-9985/216-501	771-9985/216-502	1
6 m	771-9985/216-601	771-9985/216-602	1
7 m	771-9985/216-701	771-9985/216-702	1
8 m	771-9985/216-801	771-9985/216-802	1

Accessories; for all products on this page



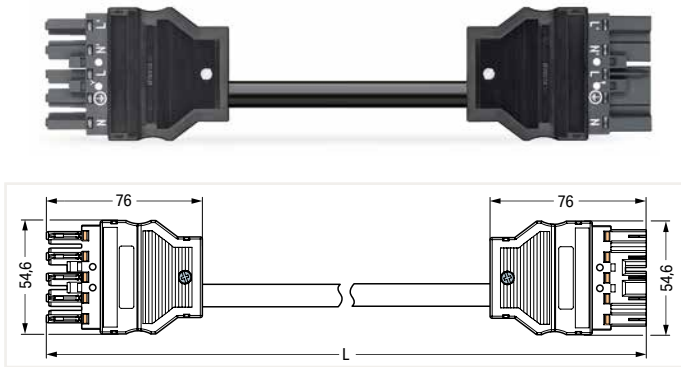
Locking lever; for flying leads; manually operated		
Color	Item Number	PU (SPU)
● black	770-101	100 (25)
○ white	770-121	100 (25)

Locking lever; for flying leads; tool operated		
Color	Item Number	PU (SPU)
● black	770-111	100 (25)
○ white	770-131	100 (25)

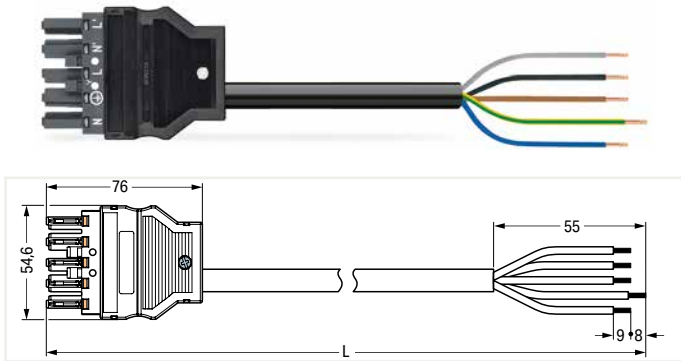
PU = Packaging Unit; SPU = Subpackaging Unit; Dimensions in mm

Cable Assembly ▶ WINSTA® MIDI ▶ Serie 771

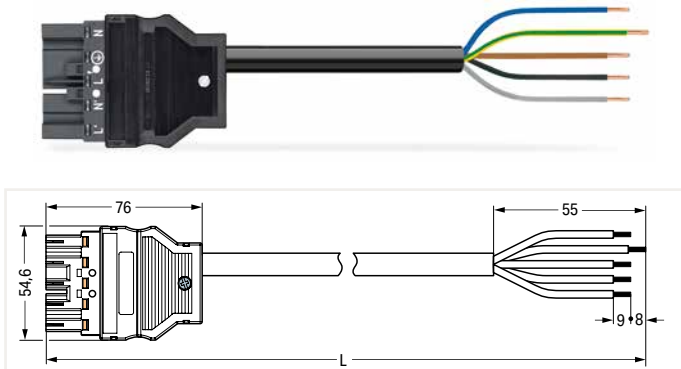
No. of poles: 5 ▶ Protection class: IP20 ▶ Reaction to fire class per EN 50575: E_{ca} ▶ 1.5 mm² ▶ Coding: L ▶ Marking: N ⊕ L N' L' ▶ PVC ▶ Cable diameter: 9.3 ... 11.6 mm ▶ H05VV-F 5G1.5 ▶ Emergency power supply



Total length	Connector color / Strain relief color		PU
	dark gray / black	dark gray / white	
1 m	771-8985/006-103	771-8985/006-104	1
2 m	771-8985/006-203	771-8985/006-204	1
3 m	771-8985/006-303	771-8985/006-304	1
4 m	771-8985/006-403	771-8985/006-404	1
5 m	771-8985/006-503	771-8985/006-504	1
6 m	771-8985/006-603	771-8985/006-604	1
7 m	771-8985/006-703	771-8985/006-704	1
8 m	771-8985/006-803	771-8985/006-804	1



Total length	Connector color / Strain relief color		PU
	dark gray / black	dark gray / white	
1 m	771-8985/106-103	771-8985/106-104	1
2 m	771-8985/106-203	771-8985/106-204	1
3 m	771-8985/106-303	771-8985/106-304	1
4 m	771-8985/106-403	771-8985/106-404	1
5 m	771-8985/106-503	771-8985/106-504	1
6 m	771-8985/106-603	771-8985/106-604	1
7 m	771-8985/106-703	771-8985/106-704	1
8 m	771-8985/106-803	771-8985/106-804	1



Total length	Connector color / Strain relief color		PU
	dark gray / black	dark gray / white	
1 m	771-8985/206-103	771-8985/206-104	1
2 m	771-8985/206-203	771-8985/206-204	1
3 m	771-8985/206-303	771-8985/206-304	1
4 m	771-8985/206-403	771-8985/206-404	1
5 m	771-8985/206-503	771-8985/206-504	1
6 m	771-8985/206-603	771-8985/206-604	1
7 m	771-8985/206-703	771-8985/206-704	1
8 m	771-8985/206-803	771-8985/206-804	1

Accessories; for all products on this page



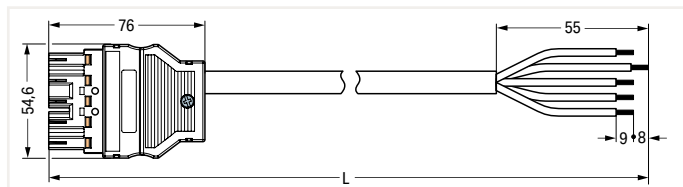
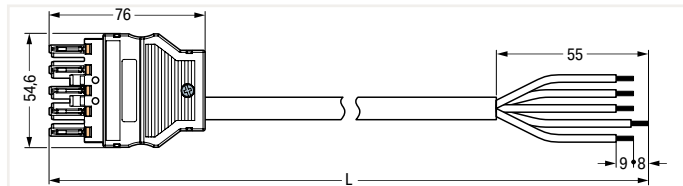
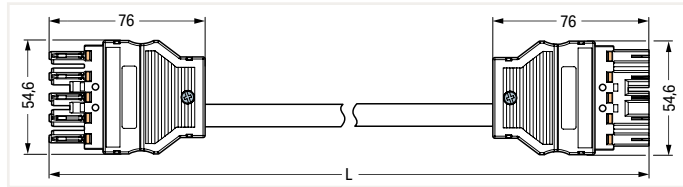
Locking lever; for flying leads; manually operated		
Color	Item Number	PU (SPU)
● black	770-101	100 (25)
○ white	770-121	100 (25)

Locking lever; for flying leads; tool operated		
Color	Item Number	PU (SPU)
● black	770-111	100 (25)
○ white	770-131	100 (25)

PU = Packaging Unit; SPU = Subpackaging Unit; Dimensions in mm

Cable Assembly ▶ WINSTA® MIDI ▶ Serie 771

No. of poles: 5 ▶ Protection class: IP20 ▶ Reaction to fire class per EN 50575: E_{ca} ▶ 1.5 mm² ▶ Co-
ding: L ▶ Marking: N ⊕ L N' L' ▶ Halogen-free ▶ Cable diameter: 9.3 ... 11.6 mm ▶ H05Z1Z1-F 5G1.5
▶ Emergency power supply



Interconnecting cable ▶ Socket - Plug			
Total length	Connector color / Strain relief color		PU
	dark gray / black	dark gray / white	
1 m	771-8985/016-103	771-8985/016-104	1
2 m	771-8985/016-203	771-8985/016-204	1
3 m	771-8985/016-303	771-8985/016-304	1
4 m	771-8985/016-403	771-8985/016-404	1
5 m	771-8985/016-503	771-8985/016-504	1
6 m	771-8985/016-603	771-8985/016-604	1
7 m	771-8985/016-703	771-8985/016-704	1
8 m	771-8985/016-803	771-8985/016-804	1

Connecting cable ▶ Socket - Free end ▶ Strip length: 55 mm			
Total length	Connector color / Strain relief color		PU
	dark gray / black	dark gray / white	
1 m	771-8985/116-103	771-8985/116-104	1
2 m	771-8985/116-203	771-8985/116-204	1
3 m	771-8985/116-303	771-8985/116-304	1
4 m	771-8985/116-403	771-8985/116-404	1
5 m	771-8985/116-503	771-8985/116-504	1
6 m	771-8985/116-603	771-8985/116-604	1
7 m	771-8985/116-703	771-8985/116-704	1
8 m	771-8985/116-803	771-8985/116-804	1

Connecting cable ▶ Plug - Free end ▶ Strip length: 55 mm			
Total length	Connector color / Strain relief color		PU
	dark gray / black	dark gray / white	
1 m	771-8985/216-103	771-8985/216-104	1
2 m	771-8985/216-203	771-8985/216-204	1
3 m	771-8985/216-303	771-8985/216-304	1
4 m	771-8985/216-403	771-8985/216-404	1
5 m	771-8985/216-503	771-8985/216-504	1
6 m	771-8985/216-603	771-8985/216-604	1
7 m	771-8985/216-703	771-8985/216-704	1
8 m	771-8985/216-803	771-8985/216-804	1

Accessories; for all products on this page



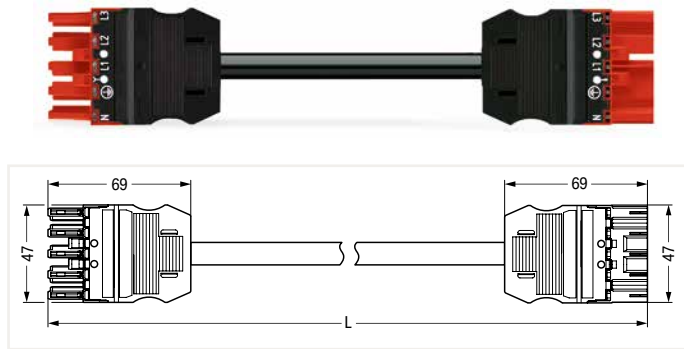
Locking lever; for flying leads; manually operated		
Color	Item Number	PU (SPU)
● black	770-101	100 (25)
○ white	770-121	100 (25)

Locking lever; for flying leads; tool operated		
Color	Item Number	PU (SPU)
● black	770-111	100 (25)
○ white	770-131	100 (25)

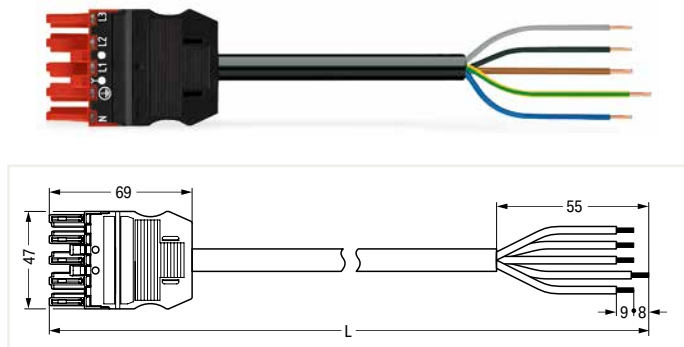
PU = Packaging Unit; SPU = Subpackaging Unit; Dimensions in mm

Cable Assembly ▶ WINSTA® MIDI ▶ Serie 771

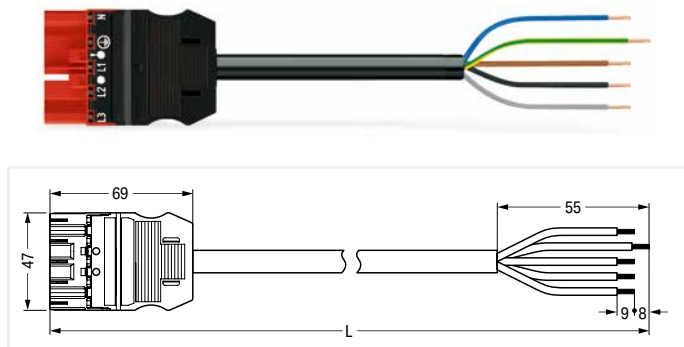
No. of poles: 5 ▶ Protection class: IP20 ▶ Reaction to fire class per EN 50575: E_{ca} ▶ 1.5 mm² ▶ Co-
ding: P ▶ Marking: N ⊕ L1 L2 L3 ▶ PVC ▶ Cable diameter: 9.3 ... 11.6 mm ▶ H05VV-F 5G1.5 ▶ Com-
puter applications (UPS)



Total length	Connector color / Strain relief color		PU
	red / black	red / white	
1 m	771-9975/006-101	771-9975/006-102	1
2 m	771-9975/006-201	771-9975/006-202	1
3 m	771-9975/006-301	771-9975/006-302	1
4 m	771-9975/006-401	771-9975/006-402	1
5 m	771-9975/006-501	771-9975/006-502	1
6 m	771-9975/006-601	771-9975/006-602	1
7 m	771-9975/006-701	771-9975/006-702	1
8 m	771-9975/006-801	771-9975/006-802	1



Total length	Connector color / Strain relief color		PU
	red / black	red / white	
1 m	771-9975/106-101	771-9975/106-102	1
2 m	771-9975/106-201	771-9975/106-202	1
3 m	771-9975/106-301	771-9975/106-302	1
4 m	771-9975/106-401	771-9975/106-402	1
5 m	771-9975/106-501	771-9975/106-502	1
6 m	771-9975/106-601	771-9975/106-602	1
7 m	771-9975/106-701	771-9975/106-702	1
8 m	771-9975/106-801	771-9975/106-802	1



Total length	Connector color / Strain relief color		PU
	red / black	red / white	
1 m	771-9975/206-101	771-9975/206-102	1
2 m	771-9975/206-201	771-9975/206-202	1
3 m	771-9975/206-301	771-9975/206-302	1
4 m	771-9975/206-401	771-9975/206-402	1
5 m	771-9975/206-501	771-9975/206-502	1
6 m	771-9975/206-601	771-9975/206-602	1
7 m	771-9975/206-701	771-9975/206-702	1
8 m	771-9975/206-801	771-9975/206-802	1

3

Accessories; for all products on this page



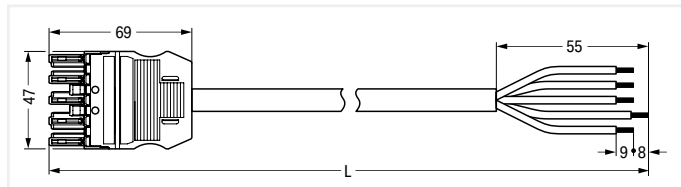
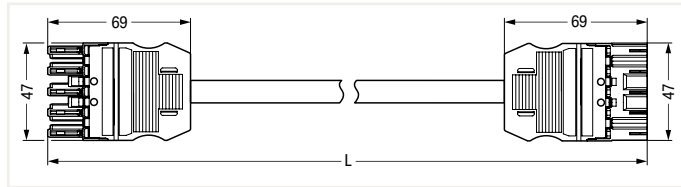
Locking lever; for flying leads; manually operated		
Color	Item Number	PU (SPU)
● black	770-101	100 (25)
○ white	770-121	100 (25)

Locking lever; for flying leads; tool operated		
Color	Item Number	PU (SPU)
● black	770-111	100 (25)
○ white	770-131	100 (25)

PU = Packaging Unit; SPU = Subpackaging Unit; Dimensions in mm

Cable Assembly ▶ WINSTA® MIDI ▶ Serie 771

No. of poles: 5 ▶ Protection class: IP20 ▶ Reaction to fire class per EN 50575: E_{ca} ▶ 1.5 mm² ▶ Coding: P ▶ Marking: N ⊕ L1 L2 L3 ▶ Halogen-free ▶ Cable diameter: 9.3 ... 11.6 mm ▶ H05Z1Z1-F 5G1.5 ▶ Computer applications (UPS)



Interconnecting cable ▶ Socket - Plug

Total length	Connector color / Strain relief color		PU
	red / black	red / white	
1 m	771-9975/016-101	771-9975/016-102	1
2 m	771-9975/016-201	771-9975/016-202	1
3 m	771-9975/016-301	771-9975/016-302	1
4 m	771-9975/016-401	771-9975/016-402	1
5 m	771-9975/016-501	771-9975/016-502	1
6 m	771-9975/016-601	771-9975/016-602	1
7 m	771-9975/016-701	771-9975/016-702	1
8 m	771-9975/016-801	771-9975/016-802	1

Connecting cable ▶ Socket - Free end ▶ Strip length: 55 mm

Total length	Connector color / Strain relief color		PU
	red / black	red / white	
1 m	771-9975/116-101	771-9975/116-102	1
2 m	771-9975/116-201	771-9975/116-202	1
3 m	771-9975/116-301	771-9975/116-302	1
4 m	771-9975/116-401	771-9975/116-402	1
5 m	771-9975/116-501	771-9975/116-502	1
6 m	771-9975/116-601	771-9975/116-602	1
7 m	771-9975/116-701	771-9975/116-702	1
8 m	771-9975/116-801	771-9975/116-802	1

Connecting cable ▶ Plug - Free end ▶ Strip length: 55 mm

Total length	Connector color / Strain relief color		PU
	red / black	red / white	
1 m	771-9975/216-101	771-9975/216-102	1
2 m	771-9975/216-201	771-9975/216-202	1
3 m	771-9975/216-301	771-9975/216-302	1
4 m	771-9975/216-401	771-9975/216-402	1
5 m	771-9975/216-501	771-9975/216-502	1
6 m	771-9975/216-601	771-9975/216-602	1
7 m	771-9975/216-701	771-9975/216-702	1
8 m	771-9975/216-801	771-9975/216-802	1

Accessories; for all products on this page



Locking lever; for flying leads; manually operated		
Color	Item Number	PU (SPU)
● black	770-101	100 (25)
○ white	770-121	100 (25)

Locking lever; for flying leads; tool operated		
Color	Item Number	PU (SPU)
● black	770-111	100 (25)
○ white	770-131	100 (25)

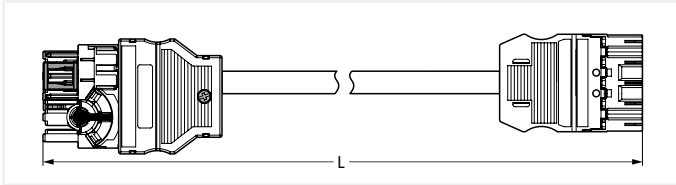
PU = Packaging Unit; SPU = Subpackaging Unit; Dimensions in mm

Cable Assembly ▶ WINSTA® MIDI ▶ Serie 771

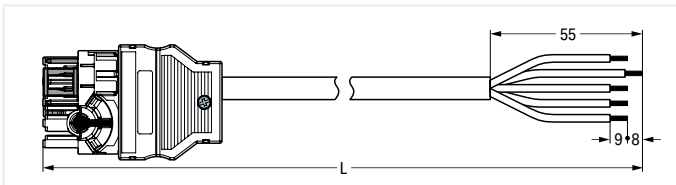
No. of poles: 5 ▶ Protection class: IP20 ▶ Reaction to fire class per EN 50575: E_{ca} ▶ 2.5 mm² ▶ Co-
ding: A ▶ Marking: L ⊕ N ▶ PVC ▶ Cable diameter: 11.2 ... 13.9 mm ▶ H05VV-F 5G2.5 ▶ Strip length:
55 mm ▶ Standard network application



Interconnecting cable ▶ Distribution connector with phase selection - Plug			
Total length	Connector color / Strain relief color		PU
	black / black	white / white	
1 m	771-8965/007-101	771-8965/007-102	1
2 m	771-8965/007-201	771-8965/007-202	1



Connecting cable ▶ Distribution connector with phase selection - Free end			
Total length	Connector color / Strain relief color		PU
	black / black	white / white	
1 m	771-8965/107-101	771-8965/107-102	1
2 m	771-8965/107-201	771-8965/107-202	1



3

Accessories; for all products on this page



Locking lever; for flying leads; manually operated		
Color	Item Number	PU (SPU)
● black	770-101	100 (25)
○ white	770-121	100 (25)

Locking lever; for flying leads; tool operated		
Color	Item Number	PU (SPU)
● black	770-111	100 (25)
○ white	770-131	100 (25)

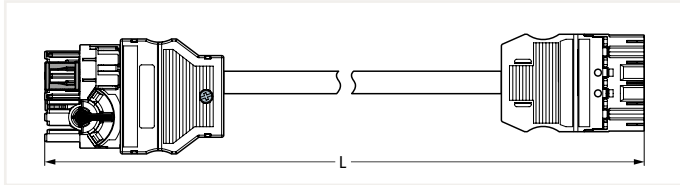
PU = Packaging Unit; SPU = Subpackaging Unit; Dimensions in mm

Cable Assembly ▶ WINSTA® MIDI ▶ Serie 771

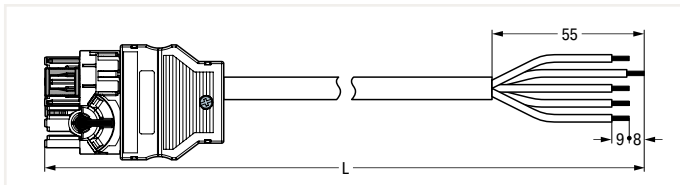
No. of poles: 5 ▶ Protection class: IP20 ▶ Reaction to fire class per EN 50575: E_{ca} ▶ 2.5 mm² ▶ Co-
ding: A ▶ Marking: L ⊕ N ▶ Halogen-free ▶ Cable diameter: 11.2 ... 13.9 mm ▶ H05Z1Z1-F 5G2.5 ▶
Strip length: 55 mm ▶ Standard network application



Interconnecting cable ▶ Distribution connector with phase selection - Plug			
Total length	Connector color / Strain relief color		PU
	black / black	white / white	
1 m	771-8965/017-101	771-8965/017-102	1
2 m	771-8965/017-201	771-8965/017-202	1



Connecting cable ▶ Distribution connector with phase selection - Free end			
Total length	Connector color / Strain relief color		PU
	black / black	white / white	
1 m	771-8965/117-101	771-8965/117-102	1
2 m	771-8965/117-201	771-8965/117-202	1



3

Accessories; for all products on this page



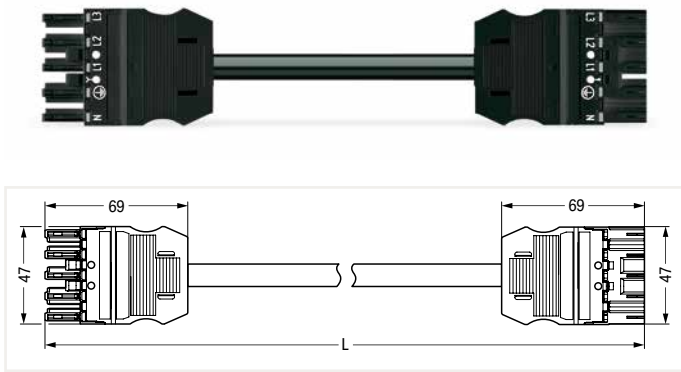
Locking lever; for flying leads; manually operated		
Color	Item Number	PU (SPU)
● black	770-101	100 (25)
○ white	770-121	100 (25)

Locking lever; for flying leads; tool operated		
Color	Item Number	PU (SPU)
● black	770-111	100 (25)
○ white	770-131	100 (25)

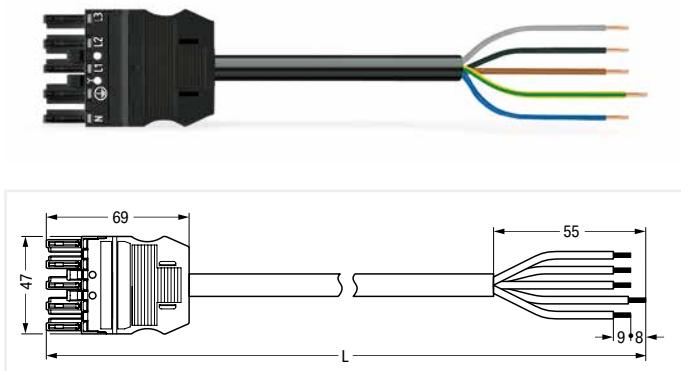
PU = Packaging Unit; SPU = Subpackaging Unit; Dimensions in mm

Cable Assembly ▶ WINSTA® MIDI ▶ Serie 771

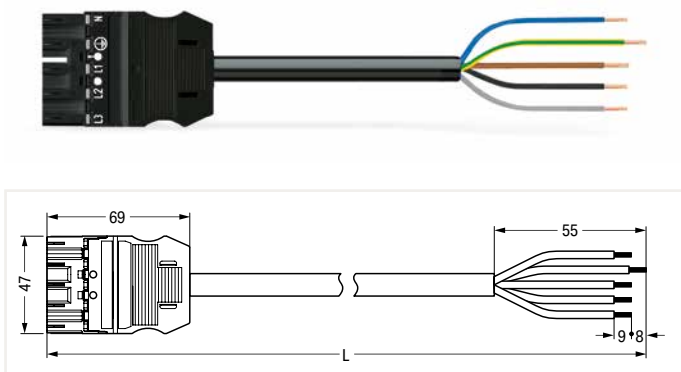
No. of poles: 5 ▶ Protection class: IP20 ▶ Reaction to fire class per EN 50575: E_{ca} ▶ 2.5 mm² ▶ Coding: A ▶ Marking: N ⊕ L1 L2 L3 ▶ PVC ▶ Cable diameter: 11.2 ... 13.9 mm ▶ H05VV-F 5G2.5 ▶ Standard network application



Total length	Connector color / Strain relief color		PU
	black / black	white / white	
1 m	771-9995/007-101	771-9995/007-102	1
2 m	771-9995/007-201	771-9995/007-202	1
3 m	771-9995/007-301	771-9995/007-302	1
4 m	771-9995/007-401	771-9995/007-402	1
5 m	771-9995/007-501	771-9995/007-502	1
6 m	771-9995/007-601	771-9995/007-602	1
7 m	771-9995/007-701	771-9995/007-702	1
8 m	771-9995/007-801	771-9995/007-802	1



Total length	Connector color / Strain relief color		PU
	black / black	white / white	
1 m	771-9995/107-101	771-9995/107-102	1
2 m	771-9995/107-201	771-9995/107-202	1
3 m	771-9995/107-301	771-9995/107-302	1
4 m	771-9995/107-401	771-9995/107-402	1
5 m	771-9995/107-501	771-9995/107-502	1
6 m	771-9995/107-601	771-9995/107-602	1
7 m	771-9995/107-701	771-9995/107-702	1
8 m	771-9995/107-801	771-9995/107-802	1



Total length	Connector color / Strain relief color		PU
	black / black	white / white	
1 m	771-9995/207-101	771-9995/207-102	1
2 m	771-9995/207-201	771-9995/207-202	1
3 m	771-9995/207-301	771-9995/207-302	1
4 m	771-9995/207-401	771-9995/207-402	1
5 m	771-9995/207-501	771-9995/207-502	1
6 m	771-9995/207-601	771-9995/207-602	1
7 m	771-9995/207-701	771-9995/207-702	1
8 m	771-9995/207-801	771-9995/207-802	1

Accessories; for all products on this page



Locking lever; for flying leads; manually operated		
Color	Item Number	PU (SPU)
● black	770-101	100 (25)
○ white	770-121	100 (25)

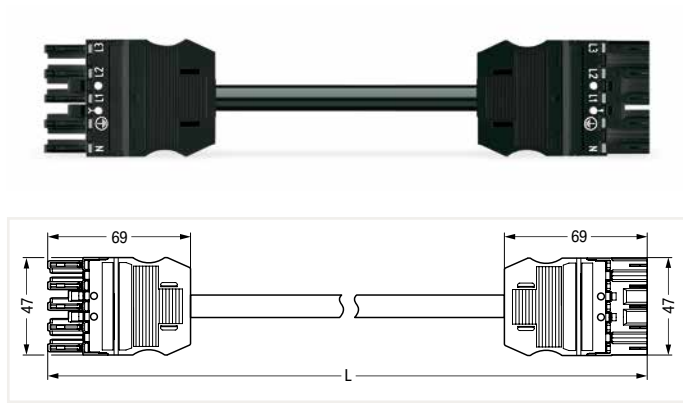
Locking lever; for flying leads; tool operated		
Color	Item Number	PU (SPU)
● black	770-111	100 (25)
○ white	770-131	100 (25)

PU = Packaging Unit; SPU = Subpackaging Unit; Dimensions in mm

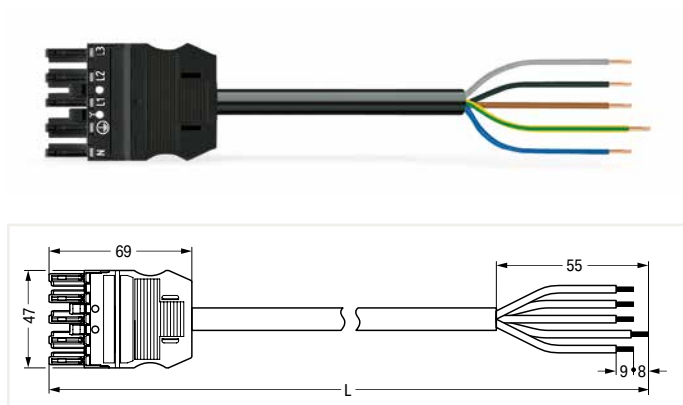
Cable Assembly ▶ WINSTA® MIDI ▶ Serie 771

No. of poles: 5 ▶ Protection class: IP20 ▶ Reaction to fire class per EN 50575: E_{ca} ▶ 2.5 mm² ▶ Co-
ding: A ▶ Marking: N ⊕ L1 L2 L3 ▶ Halogen-free ▶ Cable diameter: 11.2 ... 13.9 mm ▶ H05Z1Z1-F
5G2.5 ▶ Standard network application

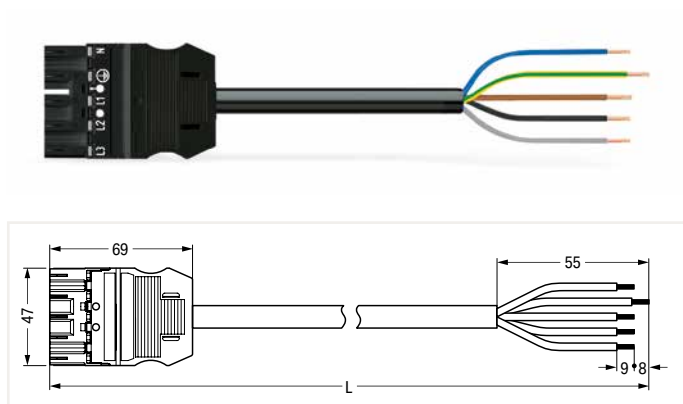
3



Total length	Connector color / Strain relief color		PU
	black / black	white / white	
1 m	771-9995/017-101	771-9995/017-102	1
2 m	771-9995/017-201	771-9995/017-202	1
3 m	771-9995/017-301	771-9995/017-302	1
4 m	771-9995/017-401	771-9995/017-402	1
5 m	771-9995/017-501	771-9995/017-502	1
6 m	771-9995/017-601	771-9995/017-602	1
7 m	771-9995/017-701	771-9995/017-702	1
8 m	771-9995/017-801	771-9995/017-802	1



Total length	Connector color / Strain relief color		PU
	black / black	white / white	
1 m	771-9995/117-101	771-9995/117-102	1
2 m	771-9995/117-201	771-9995/117-202	1
3 m	771-9995/117-301	771-9995/117-302	1
4 m	771-9995/117-401	771-9995/117-402	1
5 m	771-9995/117-501	771-9995/117-502	1
6 m	771-9995/117-601	771-9995/117-602	1
7 m	771-9995/117-701	771-9995/117-702	1
8 m	771-9995/117-801	771-9995/117-802	1



Total length	Connector color / Strain relief color		PU
	black / black	white / white	
1 m	771-9995/217-101	771-9995/217-102	1
2 m	771-9995/217-201	771-9995/217-202	1
3 m	771-9995/217-301	771-9995/217-302	1
4 m	771-9995/217-401	771-9995/217-402	1
5 m	771-9995/217-501	771-9995/217-502	1
6 m	771-9995/217-601	771-9995/217-602	1
7 m	771-9995/217-701	771-9995/217-702	1
8 m	771-9995/217-801	771-9995/217-802	1

Accessories; for all products on this page



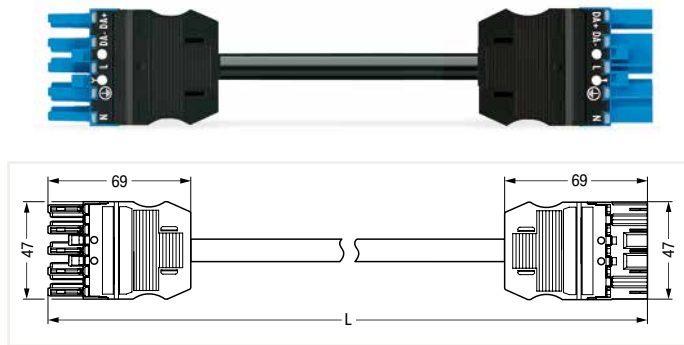
Locking lever; for flying leads; manually operated		
Color	Item Number	PU (SPU)
● black	770-101	100 (25)
○ white	770-121	100 (25)

Locking lever; for flying leads; tool operated		
Color	Item Number	PU (SPU)
● black	770-111	100 (25)
○ white	770-131	100 (25)

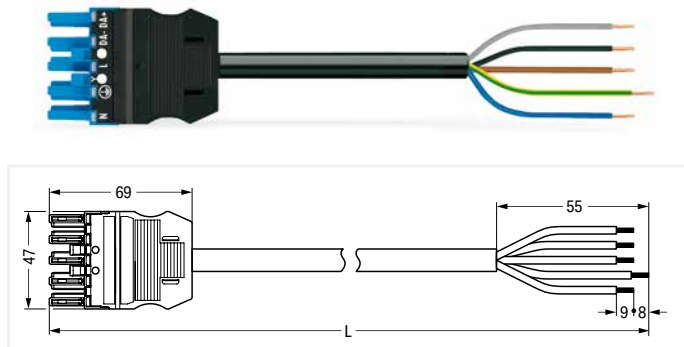
PU = Packaging Unit; SPU = Subpackaging Unit; Dimensions in mm

Cable Assembly ▶ WINSTA® MIDI ▶ Serie 771

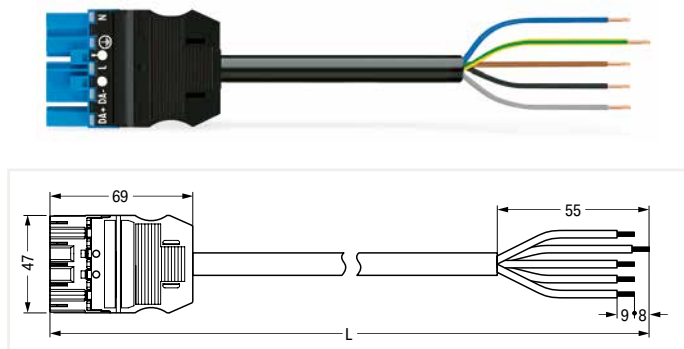
No. of poles: 5 ▶ Protection class: IP20 ▶ Reaction to fire class per EN 50575: E_{ca} ▶ 2.5 mm² ▶ Coding: I ▶ Marking: N ⊕ L DA- DA+ ▶ PVC ▶ Cable diameter: 11.2 ... 13.9 mm ▶ H05VV-F 5G2.5 ▶ Lighting management



Total length	Connector color / Strain relief color		PU
	blue / black	blue / white	
1 m	771-9985/007-101	771-9985/007-102	1
2 m	771-9985/007-201	771-9985/007-202	1
3 m	771-9985/007-301	771-9985/007-302	1
4 m	771-9985/007-401	771-9985/007-402	1
5 m	771-9985/007-501	771-9985/007-502	1
6 m	771-9985/007-601	771-9985/007-602	1
7 m	771-9985/007-701	771-9985/007-702	1
8 m	771-9985/007-801	771-9985/007-802	1



Total length	Connector color / Strain relief color		PU
	blue / black	blue / white	
1 m	771-9985/107-101	771-9985/107-102	1
2 m	771-9985/107-201	771-9985/107-202	1
3 m	771-9985/107-301	771-9985/107-302	1
4 m	771-9985/107-401	771-9985/107-402	1
5 m	771-9985/107-501	771-9985/107-502	1
6 m	771-9985/107-601	771-9985/107-602	1
7 m	771-9985/107-701	771-9985/107-702	1
8 m	771-9985/107-801	771-9985/107-802	1



Total length	Connector color / Strain relief color		PU
	blue / black	blue / white	
1 m	771-9985/207-101	771-9985/207-102	1
2 m	771-9985/207-201	771-9985/207-202	1
3 m	771-9985/207-301	771-9985/207-302	1
4 m	771-9985/207-401	771-9985/207-402	1
5 m	771-9985/207-501	771-9985/207-502	1
6 m	771-9985/207-601	771-9985/207-602	1
7 m	771-9985/207-701	771-9985/207-702	1
8 m	771-9985/207-801	771-9985/207-802	1

3

Accessories; for all products on this page



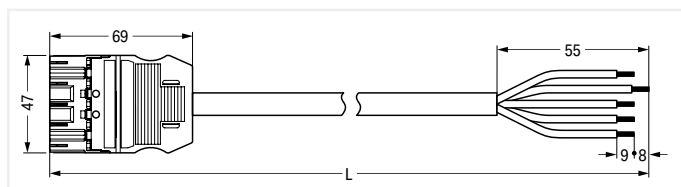
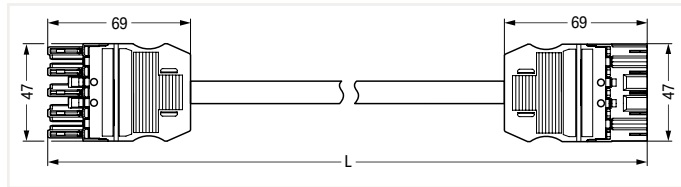
Locking lever; for flying leads; manually operated		
Color	Item Number	PU (SPU)
● black	770-101	100 (25)
○ white	770-121	100 (25)

Locking lever; for flying leads; tool operated		
Color	Item Number	PU (SPU)
● black	770-111	100 (25)
○ white	770-131	100 (25)

PU = Packaging Unit; SPU = Subpackaging Unit; Dimensions in mm

Cable Assembly ▶ WINSTA® MIDI ▶ Serie 771

No. of poles: 5 ▶ Protection class: IP20 ▶ Reaction to fire class per EN 50575: E_{ca} ▶ 2.5 mm² ▶ Co-
ding: I ▶ Marking: N ⊕ L DA- DA+ ▶ Halogen-free ▶ Cable diameter: 11.2 ... 13.9 mm ▶ H05Z1Z1-F
5G2.5 ▶ Lighting management



Interconnecting cable ▶ Socket - Plug

Total length	Connector color / Strain relief color		PU
	blue / black	blue / white	
1 m	771-9985/017-101	771-9985/017-102	1
2 m	771-9985/017-201	771-9985/017-202	1
3 m	771-9985/017-301	771-9985/017-302	1
4 m	771-9985/017-401	771-9985/017-402	1
5 m	771-9985/017-501	771-9985/017-502	1
6 m	771-9985/017-601	771-9985/017-602	1
7 m	771-9985/017-701	771-9985/017-702	1
8 m	771-9985/017-801	771-9985/017-802	1

Connecting cable ▶ Socket - Free end ▶ Strip length: 55 mm

Total length	Connector color / Strain relief color		PU
	blue / black	blue / white	
1 m	771-9985/117-101	771-9985/117-102	1
2 m	771-9985/117-201	771-9985/117-202	1
3 m	771-9985/117-301	771-9985/117-302	1
4 m	771-9985/117-401	771-9985/117-402	1
5 m	771-9985/117-501	771-9985/117-502	1
6 m	771-9985/117-601	771-9985/117-602	1
7 m	771-9985/117-701	771-9985/117-702	1
8 m	771-9985/117-801	771-9985/117-802	1

Connecting cable ▶ Plug - Free end ▶ Strip length: 55 mm

Total length	Connector color / Strain relief color		PU
	blue / black	blue / white	
1 m	771-9985/217-101	771-9985/217-102	1
2 m	771-9985/217-201	771-9985/217-202	1
3 m	771-9985/217-301	771-9985/217-302	1
4 m	771-9985/217-401	771-9985/217-402	1
5 m	771-9985/217-501	771-9985/217-502	1
6 m	771-9985/217-601	771-9985/217-602	1
7 m	771-9985/217-701	771-9985/217-702	1
8 m	771-9985/217-801	771-9985/217-802	1

Accessories; for all products on this page



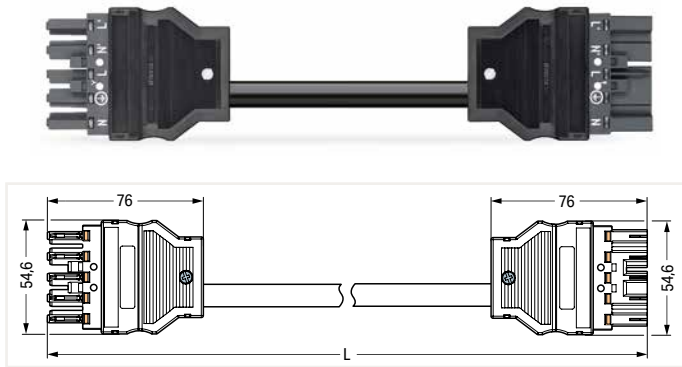
Locking lever; for flying leads; manually operated		
Color	Item Number	PU (SPU)
● black	770-101	100 (25)
○ white	770-121	100 (25)

Locking lever; for flying leads; tool operated		
Color	Item Number	PU (SPU)
● black	770-111	100 (25)
○ white	770-131	100 (25)

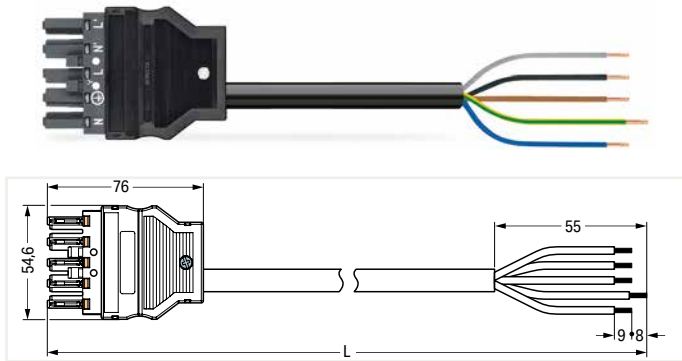
PU = Packaging Unit; SPU = Subpackaging Unit; Dimensions in mm

Cable Assembly ▶ WINSTA® MIDI ▶ Serie 771

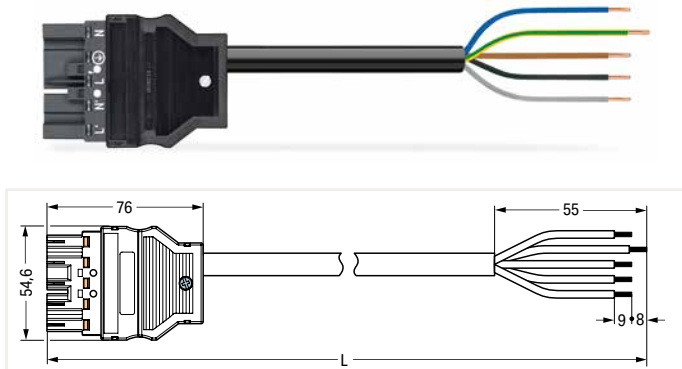
No. of poles: 5 ▶ Protection class: IP20 ▶ Reaction to fire class per EN 50575: E_{ca} ▶ 2.5 mm² ▶ Co-
ding: L ▶ Marking: N ⊕ L N' L' ▶ PVC ▶ Cable diameter: 11.2 ... 13.9 mm ▶ H05VV-F 5G2.5 ▶ Emer-
gency power supply



Interconnecting cable ▶ Socket - Plug			
Total length	Connector color / Strain relief color		PU
	dark gray / black	dark gray / white	
1 m	771-8985/007-103	771-8985/007-104	1
2 m	771-8985/007-203	771-8985/007-204	1
3 m	771-8985/007-303	771-8985/007-304	1
4 m	771-8985/007-403	771-8985/007-404	1
5 m	771-8985/007-503	771-8985/007-504	1
6 m	771-8985/007-603	771-8985/007-604	1
7 m	771-8985/007-703	771-8985/007-704	1
8 m	771-8985/007-803	771-8985/007-804	1



Connecting cable ▶ Socket - Free end ▶ Strip length: 55 mm			
Total length	Connector color / Strain relief color		PU
	dark gray / black	dark gray / white	
1 m	771-8985/107-103	771-8985/107-104	1
2 m	771-8985/107-203	771-8985/107-204	1
3 m	771-8985/107-303	771-8985/107-304	1
4 m	771-8985/107-403	771-8985/107-404	1
5 m	771-8985/107-503	771-8985/107-504	1
6 m	771-8985/107-603	771-8985/107-604	1
7 m	771-8985/107-703	771-8985/107-704	1
8 m	771-8985/107-803	771-8985/107-804	1



Connecting cable ▶ Plug - Free end ▶ Strip length: 55 mm			
Total length	Connector color / Strain relief color		PU
	dark gray / black	dark gray / white	
1 m	771-8985/207-103	771-8985/207-104	1
2 m	771-8985/207-203	771-8985/207-204	1
3 m	771-8985/207-303	771-8985/207-304	1
4 m	771-8985/207-403	771-8985/207-404	1
5 m	771-8985/207-503	771-8985/207-504	1
6 m	771-8985/207-603	771-8985/207-604	1
7 m	771-8985/207-703	771-8985/207-704	1
8 m	771-8985/207-803	771-8985/207-804	1

Accessories; for all products on this page



Locking lever; for flying leads; manually operated		
Color	Item Number	PU (SPU)
● black	770-101	100 (25)
○ white	770-121	100 (25)

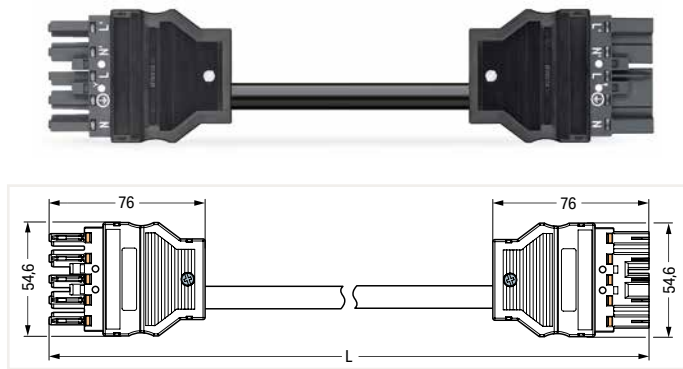
Locking lever; for flying leads; tool operated		
Color	Item Number	PU (SPU)
● black	770-111	100 (25)
○ white	770-131	100 (25)

PU = Packaging Unit; SPU = Subpackaging Unit; Dimensions in mm

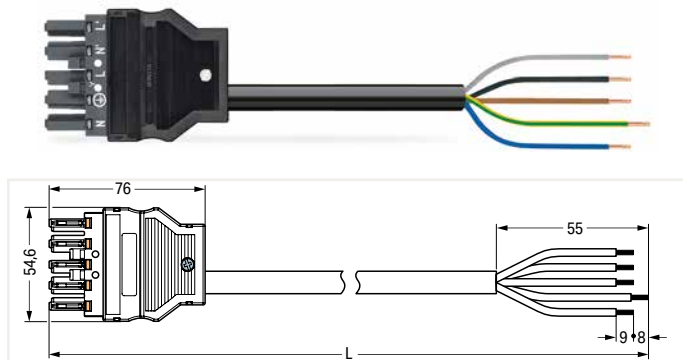
Cable Assembly ▶ WINSTA® MIDI ▶ Serie 771

No. of poles: 5 ▶ Protection class: IP20 ▶ Reaction to fire class per EN 50575: E_{ca} ▶ 2.5 mm² ▶ Coding: L ▶ Marking: N ⊕ L N' L' ▶ Halogen-free ▶ Cable diameter: 11.2 ... 13.9 mm ▶ H05Z1Z1-F 5G2.5 ▶ Emergency power supply

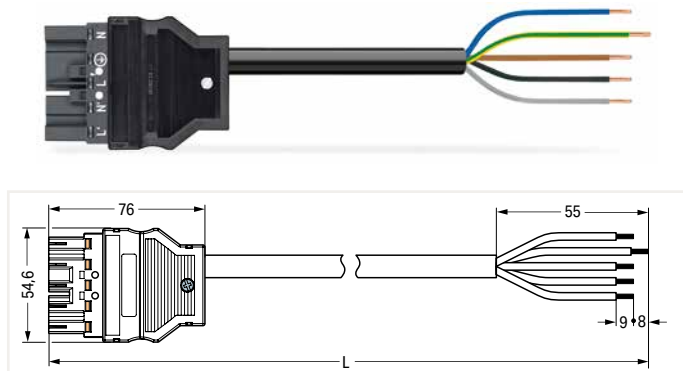
3



Total length	Connector color / Strain relief color		PU
	dark gray / black	dark gray / white	
1 m	771-8985/017-103	771-8985/017-104	1
2 m	771-8985/017-203	771-8985/017-204	1
3 m	771-8985/017-303	771-8985/017-304	1
4 m	771-8985/017-403	771-8985/017-404	1
5 m	771-8985/017-503	771-8985/017-504	1
6 m	771-8985/017-603	771-8985/017-604	1
7 m	771-8985/017-703	771-8985/017-704	1
8 m	771-8985/017-803	771-8985/017-804	1



Total length	Connector color / Strain relief color		PU
	dark gray / black	dark gray / white	
1 m	771-8985/117-103	771-8985/117-104	1
2 m	771-8985/117-203	771-8985/117-204	1
3 m	771-8985/117-303	771-8985/117-304	1
4 m	771-8985/117-403	771-8985/117-404	1
5 m	771-8985/117-503	771-8985/117-504	1
6 m	771-8985/117-603	771-8985/117-604	1
7 m	771-8985/117-703	771-8985/117-704	1
8 m	771-8985/117-803	771-8985/117-804	1



Total length	Connector color / Strain relief color		PU
	dark gray / black	dark gray / white	
1 m	771-8985/217-103	771-8985/217-104	1
2 m	771-8985/217-203	771-8985/217-204	1
3 m	771-8985/217-303	771-8985/217-304	1
4 m	771-8985/217-403	771-8985/217-404	1
5 m	771-8985/217-503	771-8985/217-504	1
6 m	771-8985/217-603	771-8985/217-604	1
7 m	771-8985/217-703	771-8985/217-704	1
8 m	771-8985/217-803	771-8985/217-804	1

Accessories; for all products on this page



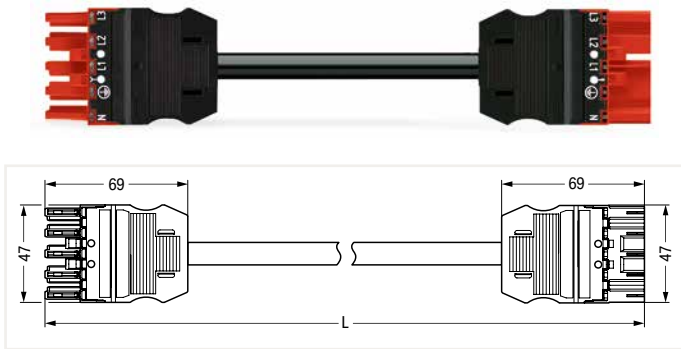
Locking lever; for flying leads; manually operated		
Color	Item Number	PU (SPU)
● black	770-101	100 (25)
○ white	770-121	100 (25)

Locking lever; for flying leads; tool operated		
Color	Item Number	PU (SPU)
● black	770-111	100 (25)
○ white	770-131	100 (25)

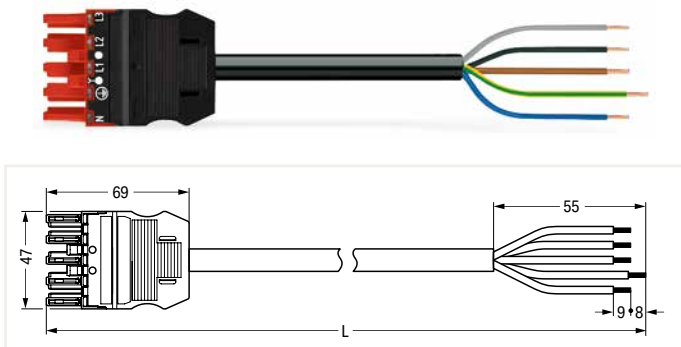
PU = Packaging Unit; SPU = Subpackaging Unit; Dimensions in mm

Cable Assembly ▶ WINSTA® MIDI ▶ Serie 771

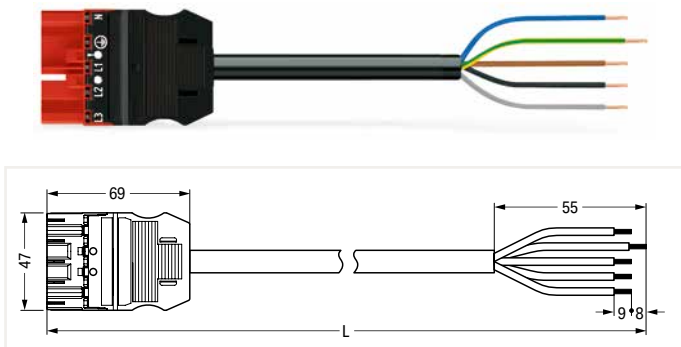
No. of poles: 5 ▶ Protection class: IP20 ▶ Reaction to fire class per EN 50575: E_{ca} ▶ 2.5 mm² ▶ Coding: P ▶ Marking: N ⊕ L1 L2 L3 ▶ PVC ▶ Cable diameter: 11.2 ... 13.9 mm ▶ H05VV-F 5G2.5 ▶ Computer applications (UPS)



Total length	Connector color / Strain relief color		PU
	red / black	red / white	
1 m	771-9975/007-101	771-9975/007-102	1
2 m	771-9975/007-201	771-9975/007-202	1
3 m	771-9975/007-301	771-9975/007-302	1
4 m	771-9975/007-401	771-9975/007-402	1
5 m	771-9975/007-501	771-9975/007-502	1
6 m	771-9975/007-601	771-9975/007-602	1
7 m	771-9975/007-701	771-9975/007-702	1
8 m	771-9975/007-801	771-9975/007-802	1



Total length	Connector color / Strain relief color		PU
	red / black	red / white	
1 m	771-9975/107-101	771-9975/107-102	1
2 m	771-9975/107-201	771-9975/107-202	1
3 m	771-9975/107-301	771-9975/107-302	1
4 m	771-9975/107-401	771-9975/107-402	1
5 m	771-9975/107-501	771-9975/107-502	1
6 m	771-9975/107-601	771-9975/107-602	1
7 m	771-9975/107-701	771-9975/107-702	1
8 m	771-9975/107-801	771-9975/107-802	1



Total length	Connector color / Strain relief color		PU
	red / black	red / white	
1 m	771-9975/207-101	771-9975/207-102	1
2 m	771-9975/207-201	771-9975/207-202	1
3 m	771-9975/207-301	771-9975/207-302	1
4 m	771-9975/207-401	771-9975/207-402	1
5 m	771-9975/207-501	771-9975/207-502	1
6 m	771-9975/207-601	771-9975/207-602	1
7 m	771-9975/207-701	771-9975/207-702	1
8 m	771-9975/207-801	771-9975/207-802	1

3

Accessories; for all products on this page



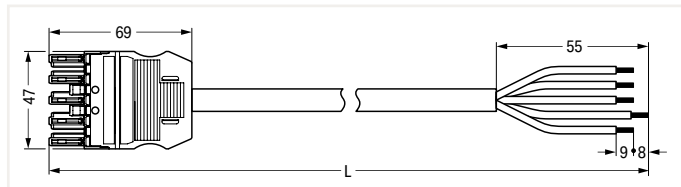
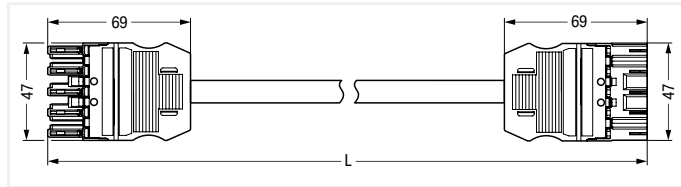
Locking lever; for flying leads; manually operated		
Color	Item Number	PU (SPU)
● black	770-101	100 (25)
○ white	770-121	100 (25)

Locking lever; for flying leads; tool operated		
Color	Item Number	PU (SPU)
● black	770-111	100 (25)
○ white	770-131	100 (25)

PU = Packaging Unit; SPU = Subpackaging Unit; Dimensions in mm

Cable Assembly ▶ WINSTA® MIDI ▶ Serie 771

No. of poles: 5 ▶ Protection class: IP20 ▶ Reaction to fire class per EN 50575: E_{ca} ▶ 2.5 mm² ▶ Coating: P ▶ Marking: N ⊕ L1 L2 L3 ▶ Halogen-free ▶ Cable diameter: 11.2 ... 13.9 mm ▶ H05Z1Z1-F 5G2.5 ▶ Computer applications (UPS)



Total length	Connector color / Strain relief color		PU
	red / black	red / white	
1 m	771-9975/017-101	771-9975/017-102	1
2 m	771-9975/017-201	771-9975/017-202	1
3 m	771-9975/017-301	771-9975/017-302	1
4 m	771-9975/017-401	771-9975/017-402	1
5 m	771-9975/017-501	771-9975/017-502	1
6 m	771-9975/017-601	771-9975/017-602	1
7 m	771-9975/017-701	771-9975/017-702	1
8 m	771-9975/017-801	771-9975/017-802	1

Total length	Connector color / Strain relief color		PU
	red / black	red / white	
1 m	771-9975/117-101	771-9975/117-102	1
2 m	771-9975/117-201	771-9975/117-202	1
3 m	771-9975/117-301	771-9975/117-302	1
4 m	771-9975/117-401	771-9975/117-402	1
5 m	771-9975/117-501	771-9975/117-502	1
6 m	771-9975/117-601	771-9975/117-602	1
7 m	771-9975/117-701	771-9975/117-702	1
8 m	771-9975/117-801	771-9975/117-802	1

Total length	Connector color / Strain relief color		PU
	red / black	red / white	
1 m	771-9975/217-101	771-9975/217-102	1
2 m	771-9975/217-201	771-9975/217-202	1
3 m	771-9975/217-301	771-9975/217-302	1
4 m	771-9975/217-401	771-9975/217-402	1
5 m	771-9975/217-501	771-9975/217-502	1
6 m	771-9975/217-601	771-9975/217-602	1
7 m	771-9975/217-701	771-9975/217-702	1
8 m	771-9975/217-801	771-9975/217-802	1

Accessories; for all products on this page



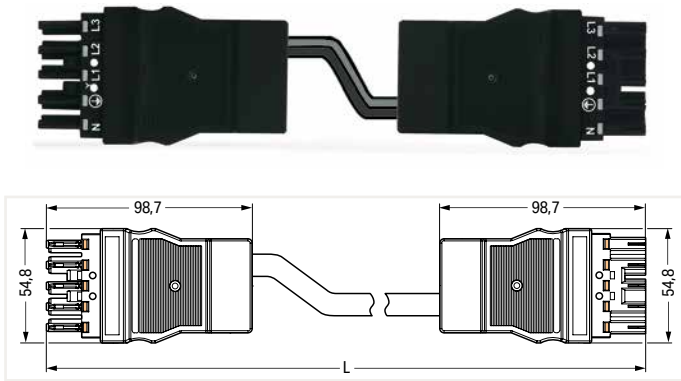
Locking lever; for flying leads; manually operated		
Color	Item Number	PU (SPU)
● black	770-101	100 (25)
○ white	770-121	100 (25)

Locking lever; for flying leads; tool operated		
Color	Item Number	PU (SPU)
● black	770-111	100 (25)
○ white	770-131	100 (25)

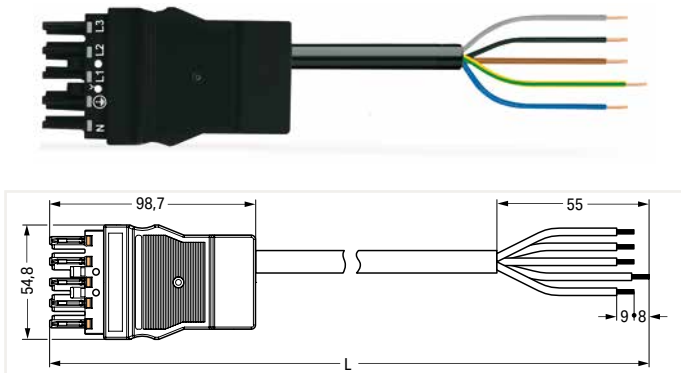
PU = Packaging Unit; SPU = Subpackaging Unit; Dimensions in mm

Cable Assembly ▶ WINSTA® MIDI ▶ Serie 771

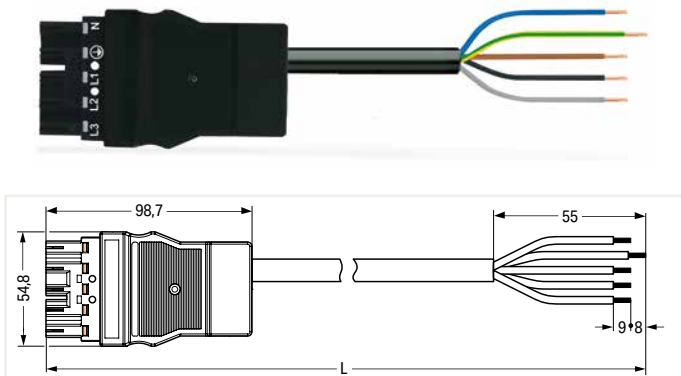
No. of poles: 5 ▶ Protection class: IP20 ▶ Reaction to fire class per EN 50575: E_{ca} ▶ 4 mm² ▶ Co-
ding: A ▶ Marking: N ⊕ L1 L2 L3 ▶ PVC ▶ Cable diameter: 13 ... 16.1 mm ▶ H05VV-F 5G4 ▶ Stan-
dard network application



Interconnecting cable ▶ Socket - Plug			
Total length	Connector color / Strain relief color		PU
	black / black		
1 m	771-8995/008-101		1
2 m	771-8995/008-201		1
3 m	771-8995/008-301		1
4 m	771-8995/008-401		1
5 m	771-8995/008-501		1
6 m	771-8995/008-601		1
7 m	771-8995/008-701		1
8 m	771-8995/008-801		1



Connecting cable ▶ Socket - Free end ▶ Strip length: 55 mm			
Total length	Connector color / Strain relief color		PU
	black / black		
1 m	771-8995/108-101		1
2 m	771-8995/108-201		1
3 m	771-8995/108-301		1
4 m	771-8995/108-401		1
5 m	771-8995/108-501		1
6 m	771-8995/108-601		1
7 m	771-8995/108-701		1
8 m	771-8995/108-801		1



Connecting cable ▶ Plug - Free end ▶ Strip length: 55 mm			
Total length	Connector color / Strain relief color		PU
	black / black		
1 m	771-8995/208-101		1
2 m	771-8995/208-201		1
3 m	771-8995/208-301		1
4 m	771-8995/208-401		1
5 m	771-8995/208-501		1
6 m	771-8995/208-601		1
7 m	771-8995/208-701		1
8 m	771-8995/208-801		1

Accessories; for all products on this page



Locking lever; for flying leads; manually operated		
Color	Item Number	PU (SPU)
● black	770-101	100 (25)
○ white	770-121	100 (25)

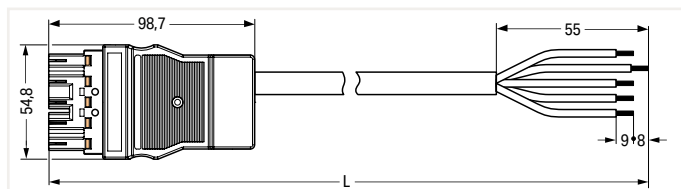
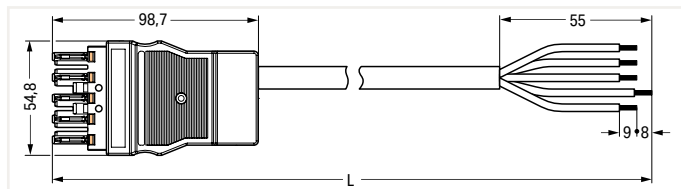
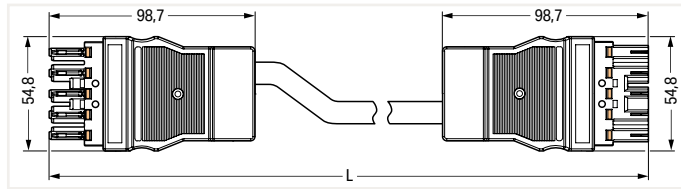
Locking lever; for flying leads; tool operated		
Color	Item Number	PU (SPU)
● black	770-111	100 (25)
○ white	770-131	100 (25)

PU = Packaging Unit; SPU = Subpackaging Unit; Dimensions in mm

Cable Assembly ▶ WINSTA® MIDI ▶ Serie 771

No. of poles: 5 ▶ Protection class: IP20 ▶ Reaction to fire class per EN 50575: E_{ca} ▶ 4 mm² ▶ Coding: A ▶ Marking: N ⊕ L1 L2 L3 ▶ Halogen-free ▶ Cable diameter: 13 ... 16.1 mm ▶ H05Z1Z1-F 5G4 ▶ Standard network application

3



Interconnecting cable ▶ Socket - Plug				
Total length	Connector color / Strain relief color			PU
	black / black			
1 m	771-8995/018-101			1
2 m	771-8995/018-201			1
3 m	771-8995/018-301			1
4 m	771-8995/018-401			1
5 m	771-8995/018-501			1
6 m	771-8995/018-601			1
7 m	771-8995/018-701			1
8 m	771-8995/018-801			1

Connecting cable ▶ Socket - Free end ▶ Strip length: 55 mm				
Total length	Connector color / Strain relief color			PU
	black / black			
1 m	771-8995/118-101			1
2 m	771-8995/118-201			1
3 m	771-8995/118-301			1
4 m	771-8995/118-401			1
5 m	771-8995/118-501			1
6 m	771-8995/118-601			1
7 m	771-8995/118-701			1
8 m	771-8995/118-801			1

Connecting cable ▶ Plug - Free end ▶ Strip length: 55 mm				
Total length	Connector color / Strain relief color			PU
	black / black			
1 m	771-8995/218-101			1
2 m	771-8995/218-201			1
3 m	771-8995/218-301			1
4 m	771-8995/218-401			1
5 m	771-8995/218-501			1
6 m	771-8995/218-601			1
7 m	771-8995/218-701			1
8 m	771-8995/218-801			1

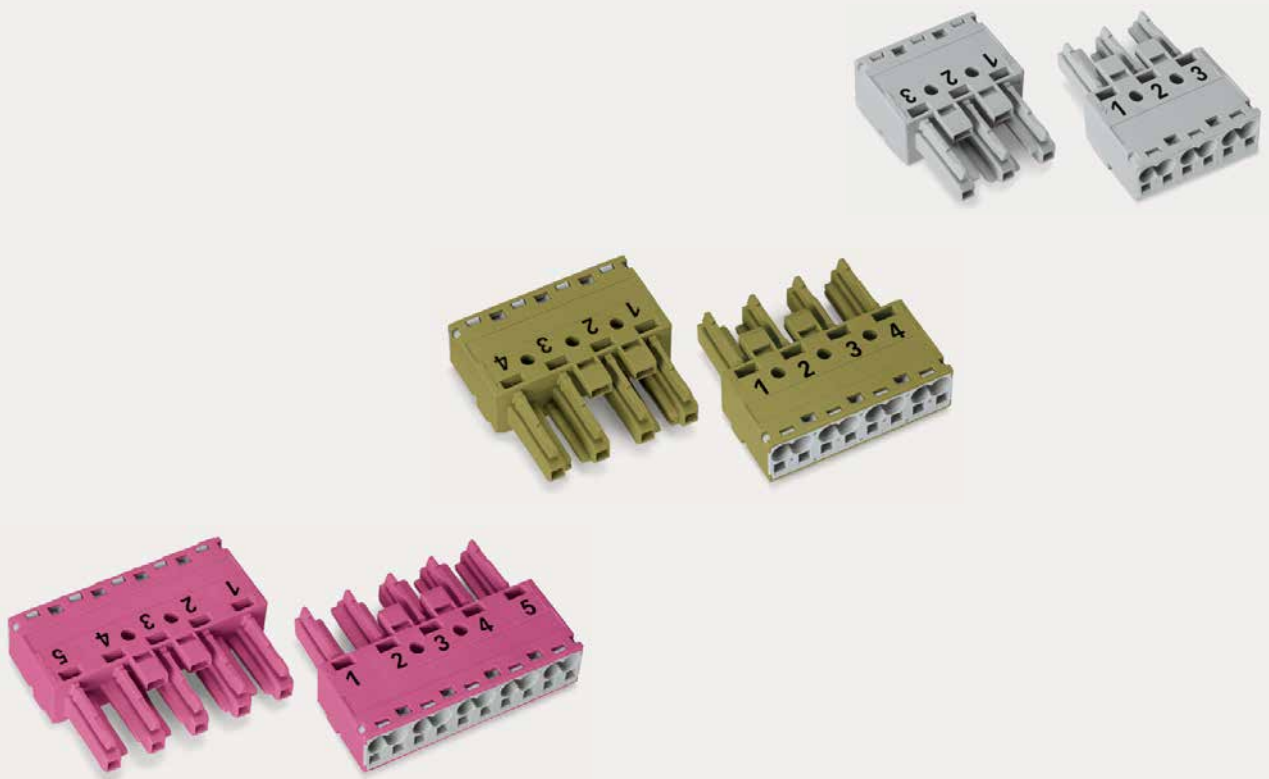
Accessories; for all products on this page



Locking lever; for flying leads; manually operated		
Color	Item Number	PU (SPU)
● black	770-101	100 (25)
○ white	770-121	100 (25)

Locking lever; for flying leads; tool operated		
Color	Item Number	PU (SPU)
● black	770-111	100 (25)
○ white	770-131	100 (25)

PU = Packaging Unit; SPU = Subpackaging Unit; Dimensions in mm



WAGO Pluggable Connection System *WINSTA*[®] MIDI special






Important note:

B-Coded components of the *WINSTA*[®] MIDI special series are designed for specialty applications (e.g., measurement, control and regulation technology) and certified per DIN EN 61984. In addition to the gray models rated from 110 to 400 V, there is now also a variant in light green for low voltages up to 48 V, as well as a pink one for bus applications. Each of the three versions is available in 2-, 3- or 4- and 5-pole configurations. Pole marking can be printed at the factory to suit customer requirements. B-coded products are protected against mismatching with all other coding types found in the *WINSTA*[®] system. Within B-coding, all special variants can mate with each other. The variable coding system provides clear circuit identification. Special variants can be clearly differentiated according to color and pole marking. They can be coded on-site or delivered with factory-installed custom coding.

WAGO Pluggable Connection System WINSTA® MIDI special ▶ 770, 771 Series

4 mm² / 25 A

- Note:**
- Installation connectors are designed for connection and disconnection while not under load.
 - There is no hazard-inducing interchangeability with systems based on IEC 60309, IEC 60320, IEC 60906 and with national connector and socket systems.
 - Compliance with the standards does not guarantee hazard-preventing, non-interchangeability with installation connector systems from various manufacturers.
 - Installation connector systems are not a substitute for residential connector/socket systems.

		Page
	Pluggable Connectors; 770 Series	
	2-pole	302
	3-pole	314
	4-pole	338
	5-pole	348
	Snap-In Device Connectors; 770 Series	
	3-pole	318
	4-pole	334
	5-pole	350
	Pluggable PCB Connectors; 770 Series	
	3-pole	320
	4-pole	336
	Distribution Connectors; 770 Series	
	2-pole	304
	3-pole	324
	4-pole	340
	5-pole	356
	Cable Assemblies; 771 Series	
	2-pole	310
	3-pole	328
	4-pole	344
	5-pole	360

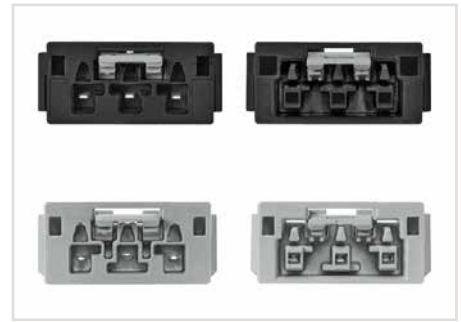
WINSTA® MIDI special ▶ 770, 771 Series Description and Installation



Gray, B-coded connector with "3 2 1" marking, e.g., control signal (A circuit)



Easy circuit identification via different marking and colors

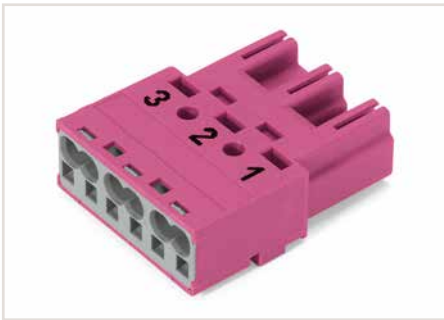


B-coded connectors (shown in gray) not only differ in color, but also in their design, making them incompatible with other coded connectors.

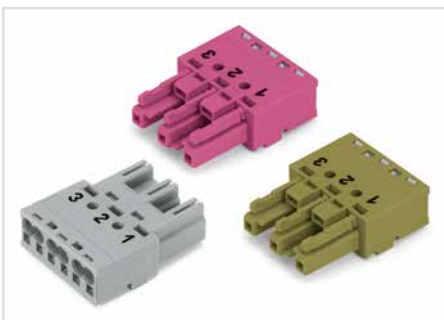
4



Light green, B-coded connector with "3 2 1" marking, e.g., DC power supply (24 V circuit)



Pink, B-coded connector with "3 2 1" marking, e.g., control signal (B circuit)



B-coded connectors with different colors can be plugged together.

Important note:

Different colors and/or pole markings are used for circuit identification.

Only connectors of the same color and same pole marking must be plugged together.



Pluggable Connector ▶ WINSTA® MIDI special ▶ Serie 770

No. of poles: 2 ▶ Protection class: IP20



- Protected against mismatching and maintenance-free
- Push-in CAGE CLAMP® spring pressure connection technology allows solid conductors to be simply pushed into a unit
- Two-wire connection per pole for loops or bridges
- Components can be clearly printed on and color-coded to meet custom requirements

Electrical Data			
Coding	B		
Ratings per	IEC/EN 60664-1		
Overvoltage category	III	III	II
Pollution degree	3	2	2
Rated voltage	250 V	-	-
Rated impulse voltage	4 kV	-	-
Rated current	25 A	-	-

Connection Data	
Connection technology	Push-in CAGE CLAMP®
Strip length	9 mm / 0.35 inch
Nominal cross section	4 mm²
Solid conductor	0.5 ... 4 mm² / 20 ... 12 AWG
Solid conductor, push-in termination	1.5 ... 4 mm² / 16 ... 12 AWG
Stranded conductor	0.5 ... 2.5 mm² / 20 ... 14 AWG
Fine-stranded conductor	0.5 ... 4 mm² / 20 ... 12 AWG
Fine-stranded conductor with ferrule with plastic collar	0.25 ... 1.5 mm² / 20 ... 16 AWG
Fine-stranded conductor with ferrule without plastic collar	0.25 ... 2.5 mm² / 20 ... 14 AWG
Fine-stranded conductor with ferrule, push-in termination, from	1.5 mm² / 16 AWG

Material Data	
Insulating material	Polyamide 66 (PA 66)
Clamping spring material	Chrome nickel spring steel (CrNi)
Contact material	Copper or copper alloy; surface-treated

Mechanical Data	
Number of mating cycles	200, without resistive load 100, with resistive load $I_N = 25$ A, tested (4 mm²/AWG 12)
Mating force of a plug-in connection	Approx. 20 ... 70 N (depending on pole number)
Unmating force of a plug-in connection	When unlocked: approx. 20 ... 70 N (depending on pole number)
Retention force of a plug-in connection	When locked: > 80 N
Protection class	IP20
Note on protection class	In mated condition with strain relief housing: IP2xC (These compact connectors are not designed for use in open, easily accessible areas.)

Environmental Requirements	
Processing temperature	-5 ... +40 °C
Continuous operating temperature	-35 ... +85 °C
Note on continuous service temperature	Insulating parts for temperatures ≤ 105 °C

All connectors for mounted installations (snap-in versions for lighting fixtures or devices, all types of PCB and distribution connectors) are factory-equipped with locking levers to ensure plugs and sockets are securely locked. Additional locking levers are only required for flying leads (plug/socket).

Application note for the U.S. market (USR): Some versions may also be used for current interruption in accordance with the UL certificate in select applications with currents below 16 A and voltages up to 600 V. For further information, please contact your local sales office.

All WINSTA® components are 100% protected against mismatching in terms of:

- plugging different number of poles
- plugging when turned by 180°
- plugging when laterally staggered
- plugging one pole

General accessory Page 484

Strain relief Page 477

Tools Page 492

Additional information, see "Technical Section"

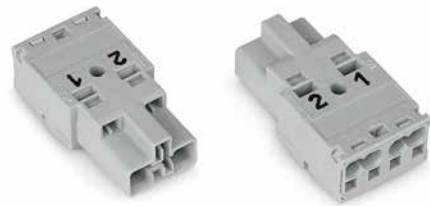
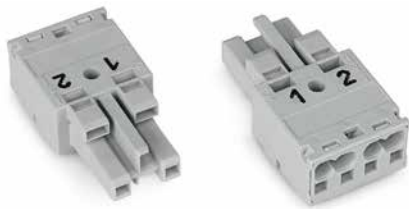
Approvals and corresponding ratings, visit www.wago.com

Pluggable Connector ▶ WINSTA® MIDI special ▶ Serie 770

No. of poles: 2 ▶ Protection class: IP20

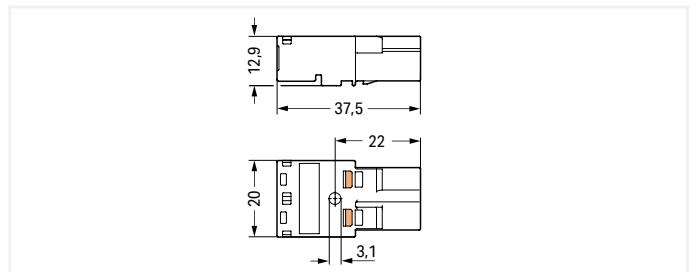
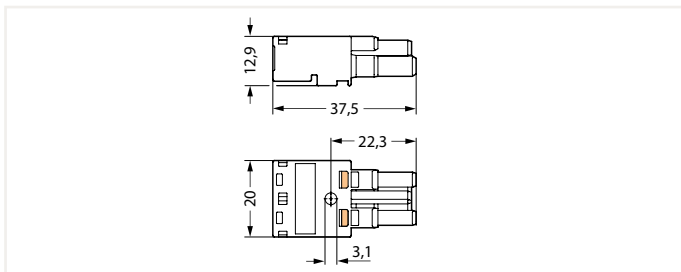
Female connector/socket

Male connector/plug



Color	Coding	Marking	Item Number	PU
gray	B	1 2	770-242	100
gray	B	L N	770-242/060-000	100
light green	B	1 2	770-262	100
pink	B	1 2	770-282	100
pink	B	I+ I-	770-282/080-000	100
pink	B	+ -	770-282/082-000	100

Color	Coding	Marking	Item Number	PU
gray	B	1 2	770-252	100
gray	B	L N	770-252/060-000	100
light green	B	1 2	770-272	100
pink	B	1 2	770-292	100
pink	B	I+ I-	770-292/080-000	100
pink	B	+ -	770-292/082-000	100



Item-Specific Accessories

Item-Specific Accessories



Lockout cap; for socket; separable; No. of poles: 12

Color	Item Number	PU
black	770-201	100
white	770-221	100

Lockout cap; for plug; separable; No. of poles: 5

Color	Item Number	PU
yellow	770-360	100

Accessories; for all products on this page



Locking lever; for flying leads; manually operated

Color	Item Number	PU (SPU)
black	770-101	100 (25)
white	770-121	100 (25)

Locking lever; for flying leads; tool operated

Color	Item Number	PU (SPU)
black	770-111	100 (25)
white	770-131	100 (25)

Operating tool; for WAGO connectors WINSTA® MIDI; No. of poles: 2

Color	Item Number	PU (SPU)
green	770-382	50 (1)



Strain relief housing; Connectable sheathed cable diameter: 5 ... 9 mm; Strip length: 35 mm

Color	Item Number	PU
black	770-502/042-000	50
white	770-512/042-000	50

PU = Packaging Unit; SPU = Subpackaging Unit; Dimensions in mm

Other variants can be requested via the WAGO sales department or, if necessary, configured at <https://configurator.wago.com/>:

- Other pole markings

Distribution Connector ▶ WINSTA® MIDI special ▶ Serie 770

No. of poles: 2



- Protected against mismatching and maintenance-free
- Components can be clearly printed on and color-coded to meet custom requirements

Electrical Data			
Coding	B		
Ratings per	IEC/EN 60664-1		
Overvoltage category	III	III	II
Pollution degree	3	2	2
Rated voltage	250 V	-	-
Rated impulse voltage	4 kV	-	-
Rated current	25 A	-	-

Material Data	
Insulating material	Polyamide 66 (PA 66)
Contact material	Copper or copper alloy; surface-treated

Mechanical Data	
Number of mating cycles	200, without resistive load 100, with resistive load $I_N = 25$ A, tested (4 mm ² /AWG 12)
Mating force of a plug-in connection	approx. 20 ... 70 N (depending on pole number)
Unmating force of a plug-in connection	when unlocked: approx. 20 ... 70 N (depending on pole number)
Retention force of a plug-in connection	When locked: > 80 N
Protection class	IP20
Note on protection class	In mated condition: IP2xC (These compact connectors are not designed for use in open, easily accessible areas.)

Environmental Requirements	
Processing temperature	-5 ... +40 °C
Continuous operating temperature	-35 ... +85 °C
Note on continuous service temperature	Insulating parts for temperatures ≤ 105 °C

All connectors for mounted installations (snap-in versions for lighting fixtures or devices, all types of PCB and distribution connectors) are factory-equipped with locking levers to ensure plugs and sockets are securely locked. Additional locking levers are only required for flying leads (plug/socket).

Application note for the U.S. market (USR): Some versions may also be used for current interruption in accordance with the UL certificate in select applications with currents below 16 A and voltages up to 600 V. For further information, please contact your local sales office.

All WINSTA® components are 100% protected against mismatching in terms of:

- plugging different number of poles
- plugging when turned by 180°
- plugging when laterally staggered
- plugging one pole

Additional information, see "Technical Section"

Approvals and corresponding ratings, visit www.wago.com

Distribution Connector ▶ WINSTA® MIDI special ▶ Serie 770

No. of poles: 2

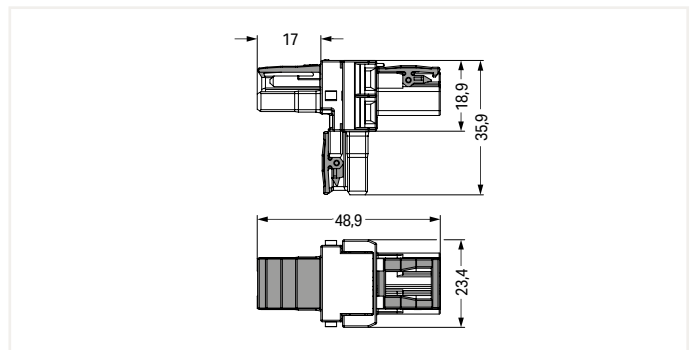
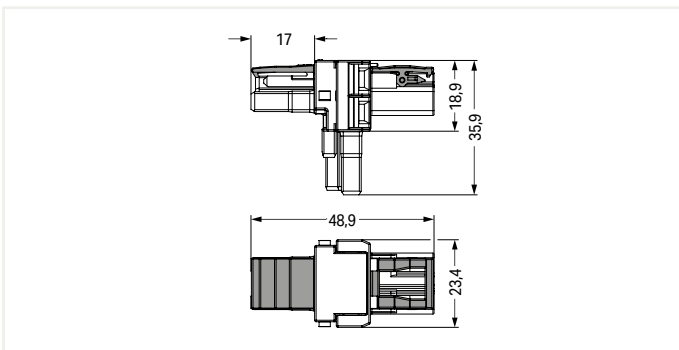
T-distribution connector ▶ Number of locking levers: 2

T-distribution connector ▶ Number of locking levers: 3 ▶ for flying leads



Color	Coding	Marking	Item Number	PU
gray	B	1 2	770-1601	50
light green	B	1 2	770-1602	50
pink	B	1 2	770-1603	50

Color	Coding	Marking	Item Number	PU
gray	B	1 2	770-1701	50
light green	B	1 2	770-1702	50
pink	B	1 2	770-1703	50



4

Accessories; for all products on this page



Lockout cap; for socket; separable; No. of poles: 12		
Color	Item Number	PU
● black	770-201	100
○ white	770-221	100

Lockout cap; for plug; separable; No. of poles: 5		
Color	Item Number	PU
● yellow	770-360	100

PU = Packaging Unit; SPU = Subpackaging Unit; Dimensions in mm

Other variants can be requested via the WAGO sales department or, if necessary, configured at <https://configurator.wago.com/>:

- Other pole markings

Distribution Connector ▶ WINSTA® MIDI special ▶ Serie 770

No. of poles: 2

h-distribution connector, bi-directional ▶ Number of locking levers: 2

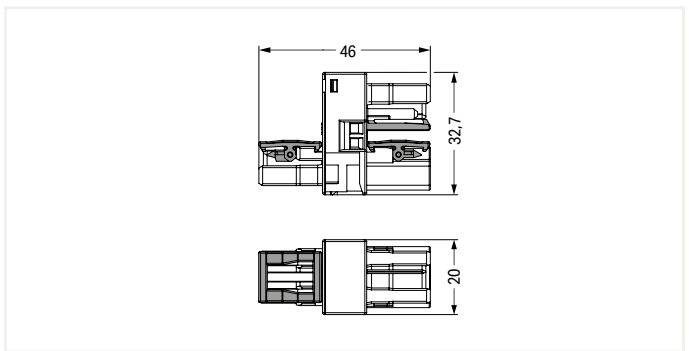
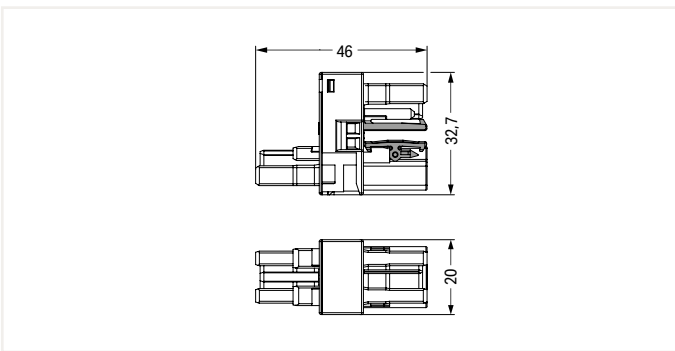
h-distribution connector, bi-directional ▶ Number of locking levers: 3 ▶ for flying leads



Color	Coding	Marking	Item Number	PU
gray	B	1 2	770-1608	50
light green	B	1 2	770-1609	50
pink	B	1 2	770-1610	50

Color	Coding	Marking	Item Number	PU
gray	B	1 2	770-1658	50
light green	B	1 2	770-1659	50
pink	B	1 2	770-1660	50

4



Accessories; for all products on this page



Mounting plate; for distribution connector (except T-distribution connector); 2-pole		
Color	Item Number	PU
● black	770-1626	25
○ white	770-1627	25



Lockout cap; for socket; separable; No. of poles: 12		
Color	Item Number	PU
● black	770-201	100
○ white	770-221	100



Lockout cap; for plug; separable; No. of poles: 5		
Color	Item Number	PU
● yellow	770-360	100

PU = Packaging Unit; SPU = Subpackaging Unit; Dimensions in mm

Other variants can be requested via the WAGO sales department or, if necessary, configured at <https://configurator.wago.com/>:

- Other pole markings

Distribution Connector ▶ WINSTA® MIDI special ▶ Serie 770

No. of poles: 2

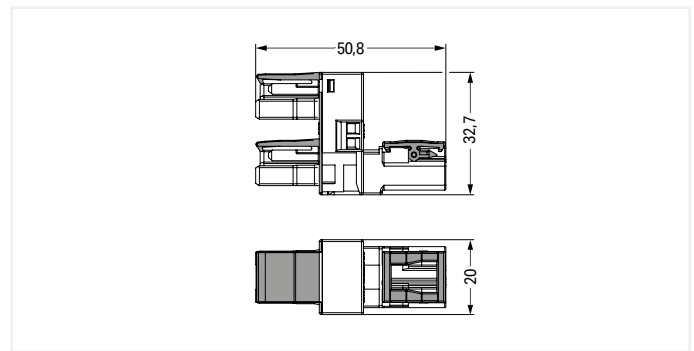
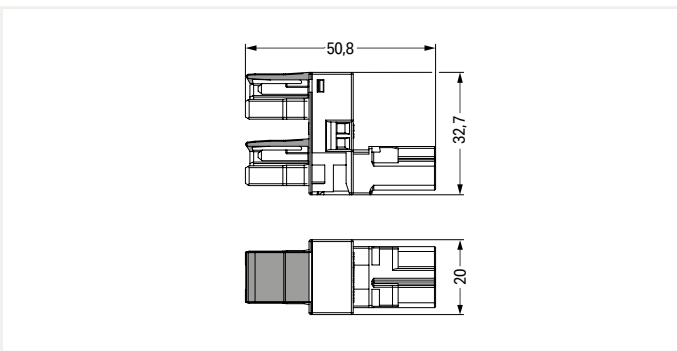
h-distribution connector, unidirectional ▶ Number of locking levels: 2

h-distribution connector, unidirectional ▶ Number of locking levels: 3 ▶ for flying leads



Color	Coding	Marking	Item Number	PU
● gray	B	1 2	770-1651	50
● light green	B	1 2	770-1652	50
● pink	B	1 2	770-1653	50

Color	Coding	Marking	Item Number	PU
● gray	B	1 2	770-1751	50
● light green	B	1 2	770-1752	50
● pink	B	1 2	770-1753	50



4

Accessories; for all products on this page



Mounting plate; for distribution connector (except T-distribution connector); 2-pole		
Color	Item Number	PU
● black	770-1626	25
○ white	770-1627	25



Lockout cap; for socket; separable; No. of poles: 12		
Color	Item Number	PU
● black	770-201	100
○ white	770-221	100



Lockout cap; for plug; separable; No. of poles: 5		
Color	Item Number	PU
● yellow	770-360	100

PU = Packaging Unit; SPU = Subpackaging Unit; Dimensions in mm

Other variants can be requested via the WAGO sales department or, if necessary, configured at <https://configurator.wago.com/>:

- Other pole markings

Distribution Connector ▶ WINSTA® MIDI special ▶ Serie 770

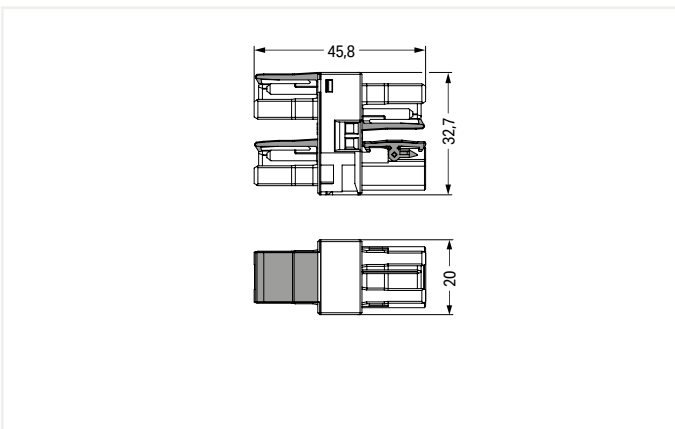
No. of poles: 2

Distribution connector, 3-way



Color	Coding	Marking	Item Number	PU
gray	B	1 2	770-1704	50
light green	B	1 2	770-1705	50
pink	B	1 2	770-1706	50

4



Accessories; for all products on this page



Mounting plate; for distribution connector (except T-distribution connector); 2-pole

Color	Item Number	PU
● black	770-1626	25
○ white	770-1627	25



Lockout cap; for socket; separable; No. of poles: 12

Color	Item Number	PU
● black	770-201	100
○ white	770-221	100



Lockout cap; for plug; separable; No. of poles: 5

Color	Item Number	PU
● yellow	770-360	100

PU = Packaging Unit; SPU = Subpackaging Unit; Dimensions in mm

Other variants can be requested via the WAGO sales department or, if necessary, configured at <https://configurator.wago.com/>:

- Other pole markings

Cable Assembly ▶ WINSTA® MIDI special ▶ Serie 771

No. of poles: 2 ▶ Protection class: IP20 ▶ Coding: B ▶ Marking: 1 2 ▶ PVC ▶ Reaction to fire class per EN 50575: E_{ca}



- Protected against mismatching and maintenance-free
- Push-in CAGE CLAMP® spring pressure connection technology allows solid conductors to be simply pushed into a unit
- Two-wire connection per pole for loops or bridges
- Components can be clearly printed on and color-coded to meet custom requirements

Electrical Data						
Coding	B			B		
Cross section of single conductor	1 mm ²			1.5 mm ²		
Ratings per	IEC/EN 60664-1			IEC/EN 60664-1		
Overvoltage category	III	III	II	III	III	II
Pollution degree	3	2	2	3	2	2
Rated voltage	250 V	-	-	250 V	-	-
Rated impulse voltage	4 kV	-	-	4 kV	-	-
Rated current	10 A	-	-	16 A	-	-

Material Data	
Insulating material	Polyamide 66 (PA 66)
Contact material	Copper or copper alloy; surface-treated
Reaction to fire class per EN 50575	E _{ca}

Mechanical Data	
Number of mating cycles	200, without resistive load 100, with resistive load I _N = 25 A, tested (4 mm ² /AWG 12)
Mating force of a plug-in connection	approx. 20 ... 70 N (depending on pole number)
Unmating force of a plug-in connection	when unlocked: approx. 20 ... 70 N (depending on pole number)
Retention force of a plug-in connection	when locked: > 80N
Protection class	IP20
Note on protection class	In mated condition: IP2xC (These compact connectors are not designed for use in open, easily accessible areas.)

Environmental Requirements	
Processing temperature	-5 ... +40 °C
Continuous operating temperature	-35 ... +85 °C
Note on continuous service temperature	PVC cable for temperatures ≤ 70 °C (including halogen-free) Insulating parts for temperatures ≤ 105 °C

Cables with different fire load are available in the eShop

Application note for the U.S. market (USR): Some versions may also be used for current interruption in accordance with the UL certificate in select applications with currents below 16 A and voltages up to 600 V. For further information, please contact your local sales office.

All WINSTA® components are 100% protected against mismatching in terms of:

- plugging different number of poles
- plugging when turned by 180°
- plugging when laterally staggered
- plugging one pole

Marking Page 499

Additional information, see "Technical Section"

Approvals and corresponding ratings, visit www.wago.com

Sold & Serviced By:

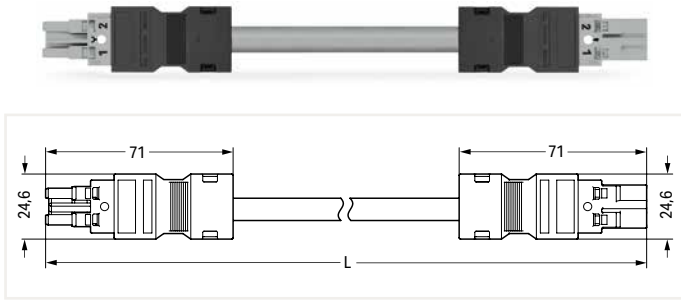
 **ELECTROMATE**

Toll Free Phone (877) SERV098

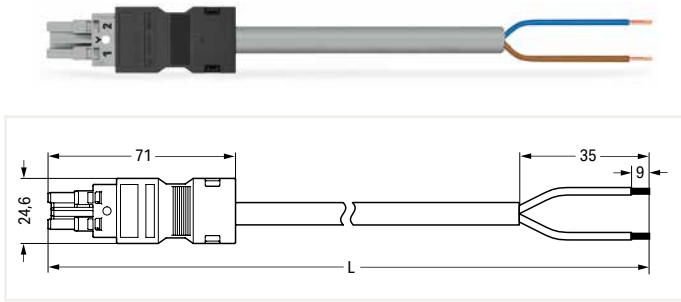
www.electromate.com
sales@electromate.com

Cable Assembly ▶ WINSTA® MIDI special ▶ Serie 771

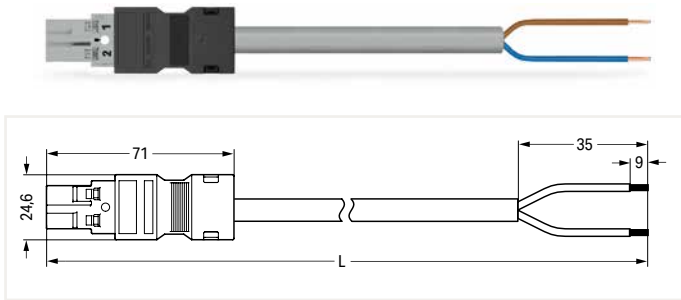
No. of poles: 2 ▶ Protection class: IP20 ▶ Coding: B ▶ Marking: 1 2 ▶ PVC ▶ Reaction to fire class per EN 50575: E_{ca} ▶ 1 mm² ▶ Cable diameter: 5.9 ... 7.5 mm ▶ Control line 2 x 1



Total length	Connector color / Strain relief color			PU
	gray / black	light green / black	pink / black	
1 m	771-8992/005-103	771-8992/005-105	771-8992/005-107	1
2 m	771-8992/005-203	771-8992/005-205	771-8992/005-207	1
3 m	771-8992/005-303	771-8992/005-305	771-8992/005-307	1
4 m	771-8992/005-403	771-8992/005-405	771-8992/005-407	1
5 m	771-8992/005-503	771-8992/005-505	771-8992/005-507	1
6 m	771-8992/005-603	771-8992/005-605	771-8992/005-607	1
7 m	771-8992/005-703	771-8992/005-705	771-8992/005-707	1
8 m	771-8992/005-803	771-8992/005-805	771-8992/005-807	1



Total length	Connector color / Strain relief color			PU
	gray / black	light green / black	pink / black	
1 m	771-8992/105-103	771-8992/105-105	771-8992/105-107	1
2 m	771-8992/105-203	771-8992/105-205	771-8992/105-207	1
3 m	771-8992/105-303	771-8992/105-305	771-8992/105-307	1
4 m	771-8992/105-403	771-8992/105-405	771-8992/105-407	1
5 m	771-8992/105-503	771-8992/105-505	771-8992/105-507	1
6 m	771-8992/105-603	771-8992/105-605	771-8992/105-607	1
7 m	771-8992/105-703	771-8992/105-705	771-8992/105-707	1
8 m	771-8992/105-803	771-8992/105-805	771-8992/105-807	1



Total length	Connector color / Strain relief color			PU
	gray / black	light green / black	pink / black	
1 m	771-8992/205-103	771-8992/205-105	771-8992/205-107	1
2 m	771-8992/205-203	771-8992/205-205	771-8992/205-207	1
3 m	771-8992/205-303	771-8992/205-305	771-8992/205-307	1
4 m	771-8992/205-403	771-8992/205-405	771-8992/205-407	1
5 m	771-8992/205-503	771-8992/205-505	771-8992/205-507	1
6 m	771-8992/205-603	771-8992/205-605	771-8992/205-607	1
7 m	771-8992/205-703	771-8992/205-705	771-8992/205-707	1
8 m	771-8992/205-803	771-8992/205-805	771-8992/205-807	1

4

Accessories; for all products on this page



Locking lever; for flying leads; manually operated		
Color	Item Number	PU (SPU)
● black	770-101	100 (25)
○ white	770-121	100 (25)

Locking lever; for flying leads; tool operated		
Color	Item Number	PU (SPU)
● black	770-111	100 (25)
○ white	770-131	100 (25)

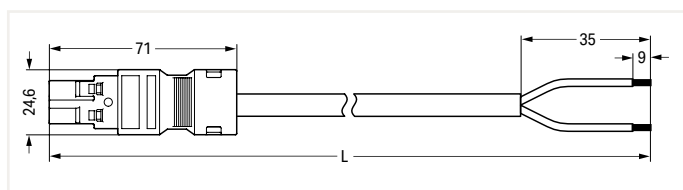
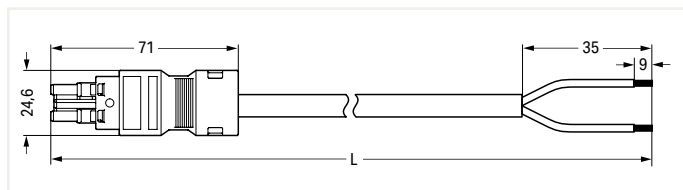
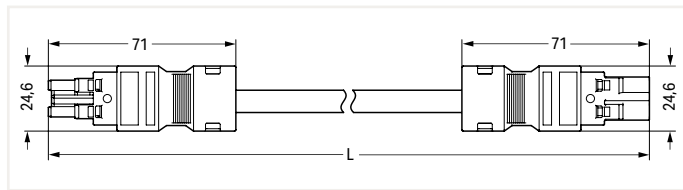
PU = Packaging Unit; SPU = Subpackaging Unit; Dimensions in mm

Other variants can be requested via the WAGO sales department or, if necessary, configured at <https://configurator.wago.com/>:

- Other pole markings

Cable Assembly ▶ WINSTA® MIDI special ▶ Serie 771

No. of poles: 2 ▶ Protection class: IP20 ▶ Coding: B ▶ Marking: 1 2 ▶ PVC ▶ Reaction to fire class per EN 50575: E_{ca} ▶ 1.5 mm² ▶ Cable diameter: 6.8 ... 8.6 mm ▶ Control line 2 x 1.5



Interconnecting cable ▶ Socket - Plug

Total length	Connector color / Strain relief color			PU
	gray / black	light green / black	pink / black	
1 m	771-8992/006-103	771-8992/006-105	771-8992/006-107	1
2 m	771-8992/006-203	771-8992/006-205	771-8992/006-207	1
3 m	771-8992/006-303	771-8992/006-305	771-8992/006-307	1
4 m	771-8992/006-403	771-8992/006-405	771-8992/006-407	1
5 m	771-8992/006-503	771-8992/006-505	771-8992/006-507	1
6 m	771-8992/006-603	771-8992/006-605	771-8992/006-607	1
7 m	771-8992/006-703	771-8992/006-705	771-8992/006-707	1
8 m	771-8992/006-803	771-8992/006-805	771-8992/006-807	1

Connecting cable ▶ Socket - Free end

Total length	Connector color / Strain relief color			PU
	gray / black	light green / black	pink / black	
1 m	771-8992/106-103	771-8992/106-105	771-8992/106-107	1
2 m	771-8992/106-203	771-8992/106-205	771-8992/106-207	1
3 m	771-8992/106-303	771-8992/106-305	771-8992/106-307	1
4 m	771-8992/106-403	771-8992/106-405	771-8992/106-407	1
5 m	771-8992/106-503	771-8992/106-505	771-8992/106-507	1
6 m	771-8992/106-603	771-8992/106-605	771-8992/106-607	1
7 m	771-8992/106-703	771-8992/106-705	771-8992/106-707	1
8 m	771-8992/106-803	771-8992/106-805	771-8992/106-807	1

Connecting cable ▶ Plug - Free end

Total length	Connector color / Strain relief color			PU
	gray / black	light green / black	pink / black	
1 m	771-8992/206-103	771-8992/206-105	771-8992/206-107	1
2 m	771-8992/206-203	771-8992/206-205	771-8992/206-207	1
3 m	771-8992/206-303	771-8992/206-305	771-8992/206-307	1
4 m	771-8992/206-403	771-8992/206-405	771-8992/206-407	1
5 m	771-8992/206-503	771-8992/206-505	771-8992/206-507	1
6 m	771-8992/206-603	771-8992/206-605	771-8992/206-607	1
7 m	771-8992/206-703	771-8992/206-705	771-8992/206-707	1
8 m	771-8992/206-803	771-8992/206-805	771-8992/206-807	1

4

Accessories; for all products on this page



Locking lever; for flying leads; manually operated		
Color	Item Number	PU (SPU)
● black	770-101	100 (25)
○ white	770-121	100 (25)

Locking lever; for flying leads; tool operated		
Color	Item Number	PU (SPU)
● black	770-111	100 (25)
○ white	770-131	100 (25)

PU = Packaging Unit; SPU = Subpackaging Unit; Dimensions in mm

Other variants can be requested via the WAGO sales department or, if necessary, configured at <https://configurator.wago.com/>:

- Other pole markings

Sold & Serviced By:



Toll Free Phone (877) SERV098
www.electromate.com
sales@electromate.com

Pluggable Connector ▶ WINSTA® MIDI special ▶ Serie 770

No. of poles: 3 ▶ Protection class: IP20



- Protected against mismatching and maintenance-free
- Push-in CAGE CLAMP® spring pressure connection technology allows solid conductors to be simply pushed into a unit
- Two-wire connection per pole for loops or bridges
- Additional variable coding is possible
- Components can be clearly printed on and color-coded to meet custom requirements

Electrical Data			
Coding	B		
Ratings per	IEC/EN 60664-1		
Overvoltage category	III	III	II
Pollution degree	3	2	2
Rated voltage	250 V	-	-
Rated impulse voltage	4 kV	-	-
Rated current	25 A	-	-

Connection Data	
Connection technology	Push-in CAGE CLAMP®
Strip length	9 mm / 0.35 inch
Nominal cross section	4 mm ²
Solid conductor	0.5 ... 4 mm ² / 20 ... 12 AWG
Solid conductor, push-in termination	1.5 ... 4 mm ² / 16 ... 12 AWG
Stranded conductor	0.5 ... 2.5 mm ² / 20 ... 14 AWG
Fine-stranded conductor	0.5 ... 4 mm ² / 20 ... 12 AWG
Fine-stranded conductor with ferrule with plastic collar	0.25 ... 1.5 mm ² / 20 ... 16 AWG
Fine-stranded conductor with ferrule without plastic collar	0.25 ... 2.5 mm ² / 20 ... 14 AWG
Fine-stranded conductor with ferrule, push-in termination, from	1.5 mm ² / 16 AWG

Material Data	
Insulating material	Polyamide 66 (PA 66)
Clamping spring material	Chrome nickel spring steel (CrNi)
Contact material	Copper or copper alloy; surface-treated

Mechanical Data	
Number of mating cycles	200, without resistive load 100, with resistive load $I_N = 25$ A, tested (4 mm ² /AWG 12)
Mating force of a plug-in connection	Approx. 20 ... 70 N (depending on pole number)
Unmating force of a plug-in connection	When unlocked: approx. 20 ... 70 N (depending on pole number)
Retention force of a plug-in connection	When locked: > 80 N
Protection class	IP20
Note on protection class	In mated condition with strain relief housing: IP2xC (These compact connectors are not designed for use in open, easily accessible areas.)

Environmental Requirements	
Processing temperature	-5 ... +40 °C
Continuous operating temperature	-35 ... +85 °C
Note on continuous service temperature	Insulating parts for temperatures ≤ 105 °C

All connectors for mounted installations (snap-in versions for lighting fixtures or devices, all types of PCB and distribution connectors) are factory-equipped with locking levers to ensure plugs and sockets are securely locked. Additional locking levers are only required for flying leads (plug/socket).

Application note for the U.S. market (USR): Some versions may also be used for current interruption in accordance with the UL certificate in select applications with currents below 16 A and voltages up to 600 V. For further information, please contact your local sales office.

All WINSTA® components are 100% protected against mismatching in terms of:

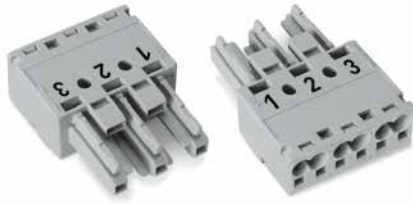
- plugging different number of poles
- plugging when turned by 180°
- plugging when laterally staggered
- plugging one pole

Coding	Page 474
Marking	Page 499
Strain relief	Page 478
Tools	Page 492
Additional information, see "Technical Section"	
Approvals and corresponding ratings, visit www.wago.com	

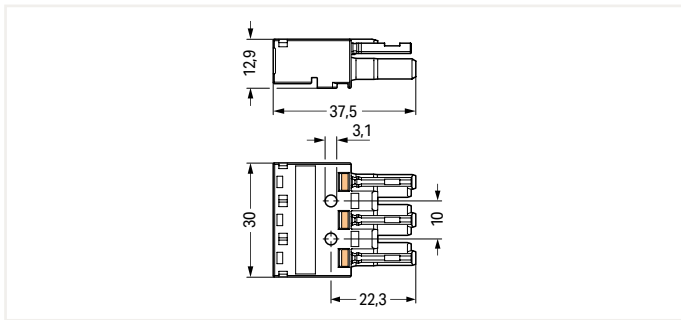
Pluggable Connector ▶ WINSTA® MIDI special ▶ Serie 770

No. of poles: 3 ▶ Protection class: IP20

Female connector/socket



Color	Coding	Marking	Item Number	PU
gray	B	1 2 3	770-243	100
gray	B	L ⊕ N	770-243/060-000	100
gray	B	2 PE 1	770-243/062-000	100
gray	B	1 2 5	770-243/081-000	100
light green	B	1 2 3	770-263	100
light green	B	U+ X/Y U-	770-263/071-000	100
light green	B	1 ⊕ 2	770-263/073-000	100
pink	B	1 2 3	770-283	100
pink	B	1 2 5	770-283/081-000	100
pink	B	+ S -	770-283/082-000	100



Accessories; for all products on this page



Locking lever; for flying leads; manually operated		
Color	Item Number	PU (SPU)
● black	770-101	100 (25)
○ white	770-121	100 (25)



Locking lever; for flying leads; tool operated		
Color	Item Number	PU (SPU)
● black	770-111	100 (25)
○ white	770-131	100 (25)



Lockout cap; for socket; separable; No. of poles: 12		
Color	Item Number	PU
● black	770-201	100
○ white	770-221	100



Operating tool; for WAGO connectors WINSTA® MIDI; No. of poles: 3		
Color	Item Number	PU (SPU)
● green	770-383	50 (1)



Strain relief housing; Connectable sheathed cable diameter: 8 ... 11.5 mm; Strip length: 55 mm		
Color	Item Number	PU
● black	770-503	50
○ white	770-513	50

PU = Packaging Unit; SPU = Subpackaging Unit; Dimensions in mm

Other variants can be requested via the WAGO sales department or, if necessary, configured at <https://configurator.wago.com/>:

- Other pole markings

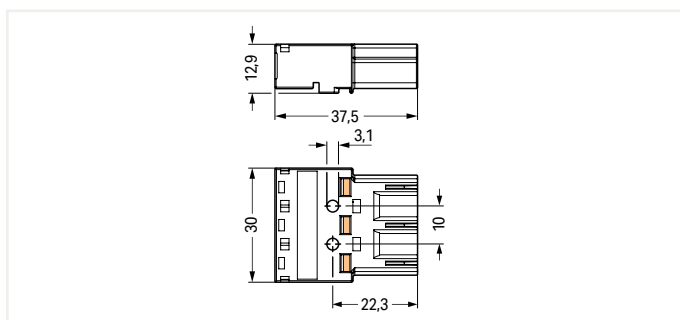
Pluggable Connector ▶ WINSTA® MIDI special ▶ Serie 770

No. of poles: 3 ▶ Protection class: IP20

Male connector/plug



Color	Coding	Marking	Item Number	PU
gray	B	1 2 3	770-253	100
gray	B	L ⊕ N	770-253/060-000	100
gray	B	2 PE 1	770-253/062-000	100
gray	B	1 2 5	770-253/081-000	100
light green	B	1 2 3	770-273	100
light green	B	U+ X/Y U-	770-273/071-000	100
light green	B	1 ⊕ 2	770-273/073-000	100
pink	B	1 2 3	770-293	100
pink	B	1 2 5	770-293/081-000	100
pink	B	+ S -	770-293/082-000	100



Accessories; for all products on this page



Locking lever; for flying leads; manually operated		
Color	Item Number	PU (SPU)
● black	770-101	100 (25)
○ white	770-121	100 (25)



Locking lever; for flying leads; tool operated		
Color	Item Number	PU (SPU)
● black	770-111	100 (25)
○ white	770-131	100 (25)



Lockout cap; for plug; separable; No. of poles: 5		
Color	Item Number	PU
● yellow	770-360	100



Operating tool; for WAGO connectors WINSTA® MIDI; No. of poles: 3		
Color	Item Number	PU (SPU)
● green	770-383	50 (1)



Strain relief housing; Connectable sheathed cable diameter: 8 ... 11.5 mm; Strip length: 55 mm		
Color	Item Number	PU
● black	770-503	50
○ white	770-513	50

PU = Packaging Unit; SPU = Subpackaging Unit; Dimensions in mm

Other variants can be requested via the WAGO sales department or, if necessary, configured at <https://configurator.wago.com/>:

- Other pole markings

Sold & Serviced By:



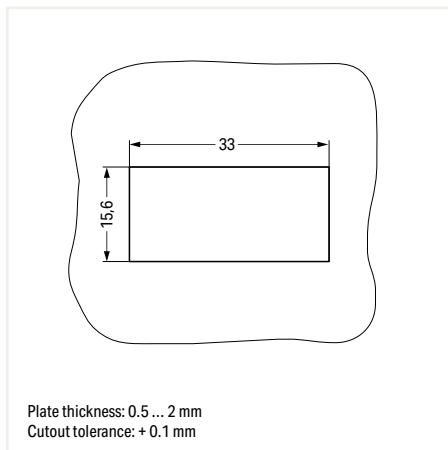
Toll Free Phone (877) SERV098
www.electromate.com
sales@electromate.com

Snap-In Device Connector ▶ WINSTA® MIDI special ▶ Serie 770

No. of poles: 3 ▶ Protection class: IP20



- Protected against mismatching and maintenance-free
- Push-in CAGE CLAMP® spring pressure connection technology allows solid conductors to be simply pushed into a unit
- Two-wire connection per pole for loops or bridges
- Additional variable coding is possible
- Components can be clearly printed on and color-coded to meet custom requirements



Electrical Data			
Coding	B		
Ratings per	IEC/EN 60664-1		
Overvoltage category	III	III	II
Pollution degree	3	2	2
Rated voltage	250 V	-	-
Rated impulse voltage	4 kV	-	-
Rated current	25 A	-	-

Connection Data	
Connection technology	Push-in CAGE CLAMP®
Strip length	9 mm / 0.35 inch
Nominal cross section	4 mm²
Solid conductor	0.5 ... 4 mm² / 20 ... 12 AWG
Solid conductor, push-in termination	1.5 ... 4 mm² / 16 ... 12 AWG
Stranded conductor	0.5 ... 2.5 mm² / 20 ... 14 AWG
Fine-stranded conductor	0.5 ... 4 mm² / 20 ... 12 AWG
Fine-stranded conductor with ferrule with plastic collar	0.25 ... 1.5 mm² / 20 ... 16 AWG
Fine-stranded conductor with ferrule without plastic collar	0.25 ... 2.5 mm² / 20 ... 14 AWG
Fine-stranded conductor with ferrule, push-in termination, from	1.5 mm² / 16 AWG

Material Data	
Insulating material	Polyamide 66 (PA 66)
Clamping spring material	Chrome nickel spring steel (CrNi)
Contact material	Copper or copper alloy; surface-treated

Mechanical Data	
Number of mating cycles	200, without resistive load 100, with resistive load $I_N = 25$ A, tested (4 mm²/AWG 12)
Mating force of a plug-in connection	Approx. 20 ... 70 N (depending on pole number)
Unmating force of a plug-in connection	When unlocked: approx. 20 ... 70 N (depending on pole number)
Retention force of a plug-in connection	When locked: > 80 N
Protection class	IP20
Note on protection class	In mated condition: IP2xC (These compact connectors are not designed for use in open, easily accessible areas.)

Environmental Requirements	
Processing temperature	-5 ... +40 °C
Continuous operating temperature	-35 ... +85 °C
Note on continuous service temperature	Insulating parts for temperatures ≤ 105 °C

All connectors for mounted installations (snap-in versions for lighting fixtures or devices, all types of PCB and distribution connectors) are factory-equipped with locking levers to ensure plugs and sockets are securely locked. Additional locking levers are only required for flying leads (plug/socket).

Application note for the U.S. market (USR): Some versions may also be used for current interruption in accordance with the UL certificate in select applications with currents below 16 A and voltages up to 600 V. For further information, please contact your local sales office.

All WINSTA® components are 100% protected against mismatching in terms of:

- plugging different number of poles
- plugging when turned by 180°
- plugging when laterally staggered
- plugging one pole

Coding Page 474

Tools Page 492

Additional information, see "Technical Section"

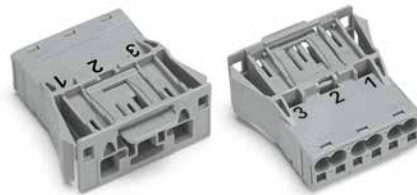
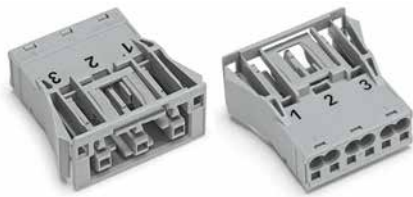
Approvals and corresponding ratings, visit www.wago.com

Snap-In Device Connector ▶ WINSTA® MIDI special ▶ Serie 770

No. of poles: 3 ▶ Protection class: IP20

Female connector/socket

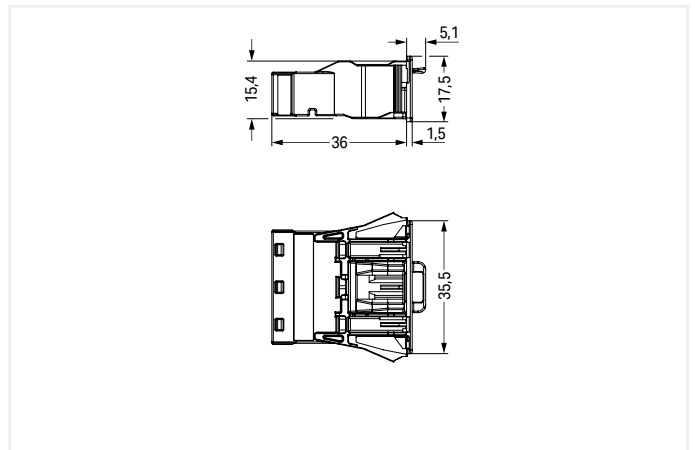
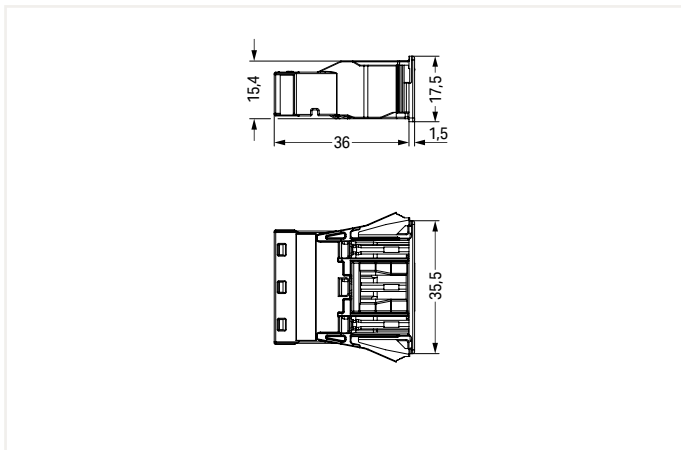
Male connector/plug



Color	Coding	Marking	Item Number	PU
gray	B	1 2 3	770-743	100
gray	B	L ⊕ N	770-743/060-000	100
gray	B	2 PE 1	770-743/062-000	100
light green	B	1 2 3	770-763	100
light green	B	U+ X/Y U-	770-763/071-000	100
light green	B	1 ⊕ 2	770-763/073-000	100
pink	B	I+ I-	770-783/081-000	100
pink	B	1 2 3	770-783	100
pink	B	+ S -	770-783/082-000	100

Color	Coding	Marking	Item Number	PU
gray	B	1 2 3	770-753	100
gray	B	L ⊕ N	770-753/060-000	100
gray	B	2 PE 1	770-753/062-000	100
light green	B	1 2 3	770-773	100
light green	B	U+ X/Y U-	770-773/071-000	100
light green	B	1 ⊕ 2	770-773/073-000	100
pink	B	I+ I-	770-793/081-000	100
pink	B	1 2 3	770-793	100
pink	B	+ S -	770-793/082-000	100

4



Item-Specific Accessories



Lockout cap; for socket; separable; No. of poles: 12

Color	Item Number	PU
● black	770-201	100
○ white	770-221	100

Item-Specific Accessories



Lockout cap; for plug; separable; No. of poles: 5

Color	Item Number	PU
● yellow	770-360	100

Accessories; for all products on this page



Operating tool; for WAGO connectors WINSTA® MIDI; No. of poles: 3

Color	Item Number	PU (SPU)
● green	770-383	50 (1)



Lockout cap; for cutout; No. of poles: 3

Color	Item Number	PU
● black	770-643	100
○ white	770-693	100

PU = Packaging Unit; SPU = Subpackaging Unit; Dimensions in mm

Other variants can be requested via the WAGO sales department or, if necessary, configured at <https://configurator.wago.com/>:

- Other pole markings

Pluggable PCB Connector ▶ WINSTA® MIDI special ▶ Serie 770

No. of poles: 3



- Protected against mismatching and maintenance-free
- Push-in CAGE CLAMP® spring pressure connection technology allows solid conductors to be simply pushed into a unit
- Two-wire connection per pole for loops or bridges
- Additional variable coding is possible
- Components can be clearly printed on and color-coded to meet custom requirements

Electrical Data

Coding	B		
Ratings per	IEC/EN 60664-1		
Overvoltage category	III	III	II
Pollution degree	3	2	2
Rated voltage	250 V	-	-
Rated impulse voltage	4 kV	-	-
Rated current	25 A	-	-

Material Data

Insulating material	Polyamide 66 (PA 66)
Clamping spring material	Chrome nickel spring steel (CrNi)
Contact material	Copper or copper alloy; surface-treated

Mechanical Data

Solder pin arrangement	2 in-line solder pins/pole
Solder pin length	3.5 mm
Solder pin dimensions	1 x 0.8 mm
Drilled hole diameter (tolerance)	1.5 (+0.1 ... +0.1) mm
Number of mating cycles	200, without resistive load 100, with resistive load $I_N = 25$ A, tested (4 mm ² /AWG 12)
Mating force of a plug-in connection	Approx. 20 ... 70 N (depending on pole number)
Unmating force of a plug-in connection	When unlocked: approx. 20 ... 70 N (depending on pole number)
Retention force of a plug-in connection	When locked: > 80 N

Environmental Requirements

Processing temperature	-5 ... +40 °C
Continuous operating temperature	-35 ... +85 °C
Note on continuous service temperature	Insulating parts for temperatures ≤ 105 °C

All connectors for mounted installations (snap-in versions for lighting fixtures or devices, all types of PCB and distribution connectors) are factory-equipped with locking levers to ensure plugs and sockets are securely locked. Additional locking levers are only required for flying leads (plug/socket).

Application note for the U.S. market (USR): Some versions may also be used for current interruption in accordance with the UL certificate in select applications with currents below 16 A and voltages up to 600 V. For further information, please contact your local sales office.

All WINSTA® components are 100% protected against mismatching in terms of:

- plugging different number of poles
- plugging when turned by 180°
- plugging when laterally staggered
- plugging one pole

Coding Page 474

Additional information, see "Technical Section"

Approvals and corresponding ratings, visit www.wago.com

Pluggable PCB Connector ▶ WINSTA® MIDI special ▶ Serie 770

No. of poles: 3

Straight ▶ Female connector/socket



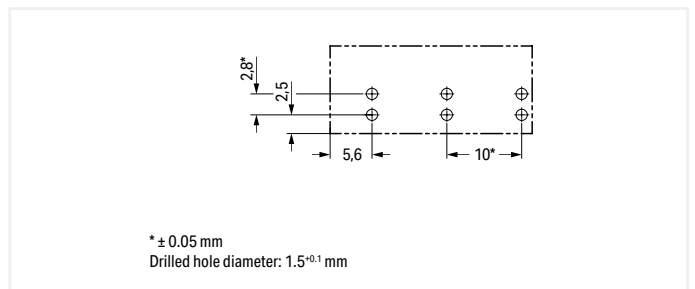
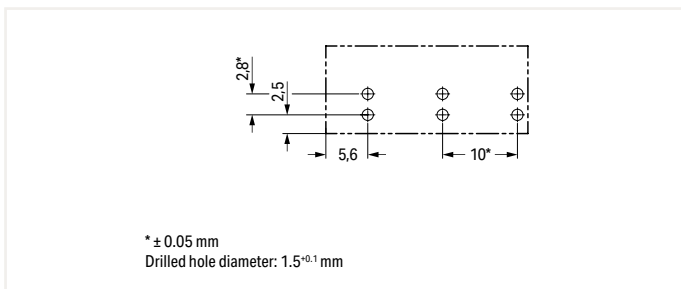
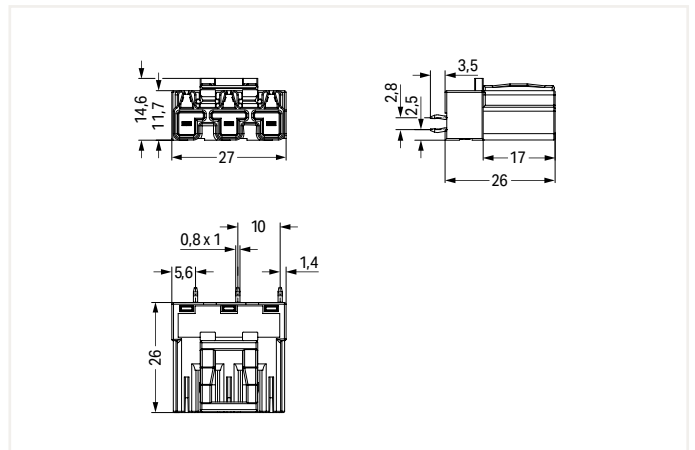
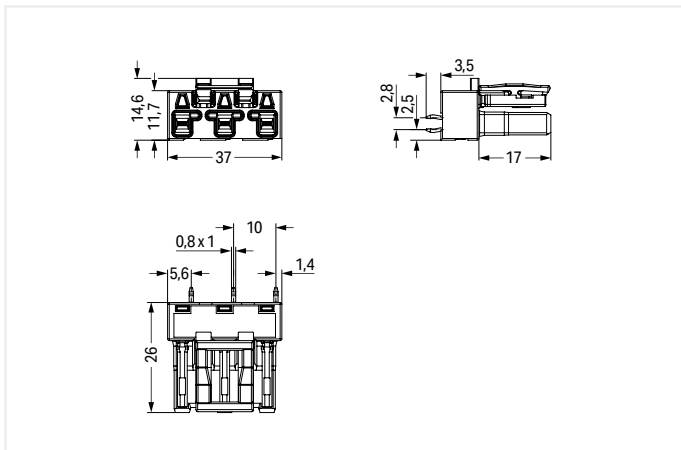
Straight ▶ Male connector/plug



Color	Coding	Marking	Item Number	PU
gray	B	1 2 3	770-843	100
gray	B	L ⊕ N	770-843/060-000	100
gray	B	2 PE 1	770-843/062-000	100
light green	B	1 2 3	770-863	100
light green	B	U+ X/Y U-	770-863/071-000	100
light green	B	1 ⊕ 2	770-863/073-000	100
pink	B	1 2 3	770-883	100
pink	B	1 2 5	770-883/081-000	100
pink	B	+ S -	770-883/082-000	100

Color	Coding	Marking	Item Number	PU
gray	B	1 2 3	770-853	100
gray	B	L ⊕ N	770-853/060-000	100
gray	B	2 PE 1	770-853/062-000	100
light green	B	1 2 3	770-873	100
light green	B	U+ X/Y U-	770-873/071-000	100
light green	B	1 ⊕ 2	770-873/073-000	100
pink	B	1 2 3	770-893	100
pink	B	1 2 5	770-893/081-000	100
pink	B	+ S -	770-893/082-000	100

4



Item-Specific Accessories



Lockout cap; for socket; separable; No. of poles: 12

Color	Item Number	PU
black	770-201	100
white	770-221	100

Item-Specific Accessories



Lockout cap; for plug; separable; No. of poles: 5

Color	Item Number	PU
yellow	770-360	100

PU = Packaging Unit; SPU = Subpackaging Unit; Dimensions in mm

Other variants can be requested via the WAGO sales department or, if necessary, configured at <https://configurator.wago.com/>:

- Other pole markings

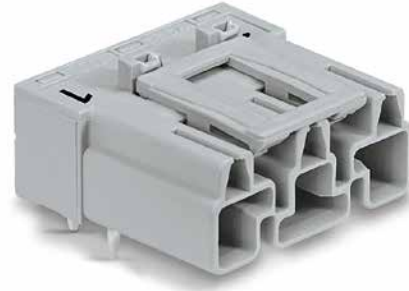
Pluggable PCB Connector ▶ WINSTA® MIDI special ▶ Serie 770

No. of poles: 3

Angled ▶ Female connector/socket



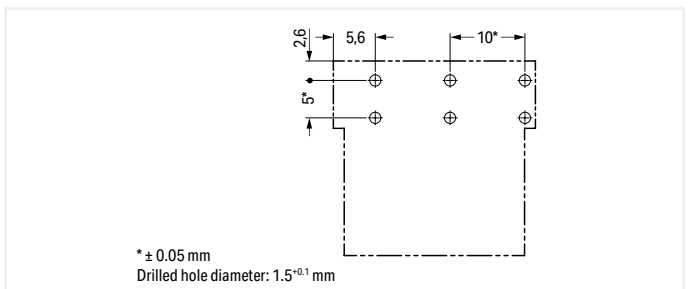
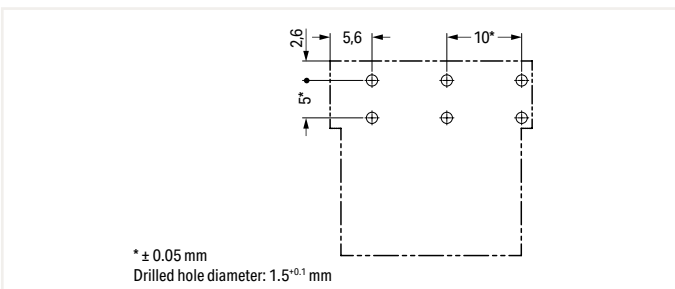
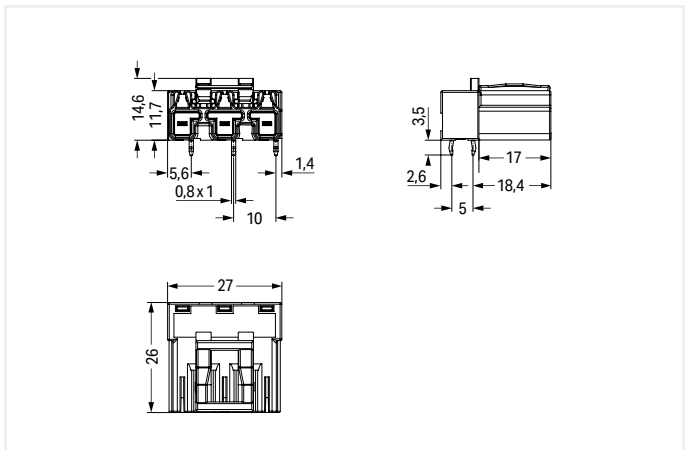
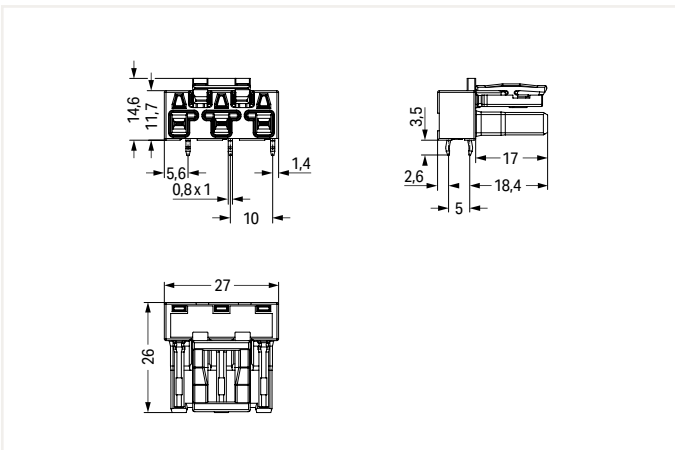
Angled ▶ Male connector/plug



Color	Coding	Marking	Item Number	PU
gray	B	1 2 3	770-843/011-000	100
gray	B	L ⊕ N	770-843/011-000/060-000	100
gray	B	2 PE 1	770-843/011-000/062-000	100
light green	B	1 2 3	770-863/011-000	100
light green	B	U+ X/Y U-	770-863/011-000/071-000	100
light green	B	1 ⊕ 2	770-863/011-000/073-000	100
pink	B	1 2 3	770-883/011-000	100
pink	B	1 2 5	770-883/011-000/081-000	100
pink	B	+ S -	770-883/011-000/082-000	100

Color	Coding	Marking	Item Number	PU
gray	B	1 2 3	770-853/011-000	100
gray	B	L ⊕ N	770-853/011-000/060-000	100
gray	B	2 PE 1	770-853/011-000/062-000	100
light green	B	1 2 3	770-873/011-000	100
light green	B	U+ X/Y U-	770-873/011-000/071-000	100
light green	B	1 ⊕ 2	770-873/011-000/073-000	100
pink	B	1 2 3	770-893/011-000	100
pink	B	1 2 5	770-893/011-000/081-000	100
pink	B	+ S -	770-893/011-000/082-000	100

4



Item-Specific Accessories



Lockout cap; for socket; separable; No. of poles: 12

Color	Item Number	PU
black	770-201	100
white	770-221	100

Item-Specific Accessories



Lockout cap; for plug; separable; No. of poles: 5

Color	Item Number	PU
yellow	770-360	100

PU = Packaging Unit; SPU = Subpackaging Unit; Dimensions in mm

Other variants can be requested via the WAGO sales department or, if necessary, configured at <https://configurator.wago.com/>:

- Other pole markings

Distribution Connector ▶ WINSTA® MIDI special ▶ Serie 770

No. of poles: 3



- Protected against mismatching and maintenance-free
- Additional variable coding is possible
- Components can be clearly printed on and color-coded to meet custom requirements

Electrical Data			
Coding	B		
Ratings per	IEC/EN 60664-1		
Overvoltage category	III	III	II
Pollution degree	3	2	2
Rated voltage	250 V	-	-
Rated impulse voltage	4 kV	-	-
Rated current	25 A	-	-

Material Data	
Insulating material	Polyamide 66 (PA 66)
Contact material	Copper or copper alloy; surface-treated

Mechanical Data	
Number of mating cycles	200, without resistive load 100, with resistive load $I_N = 25$ A, tested (4 mm ² /AWG 12)
Mating force of a plug-in connection	approx. 20 ... 70 N (depending on pole number)
Unmating force of a plug-in connection	when unlocked: approx. 20 ... 70 N (depending on pole number)
Retention force of a plug-in connection	When locked: > 80 N
Protection class	IP20
Note on protection class	In mated condition: IP2xC (These compact connectors are not designed for use in open, easily accessible areas.)

Environmental Requirements	
Processing temperature	-5 ... +40 °C
Continuous operating temperature	-35 ... +85 °C
Note on continuous service temperature	Insulating parts for temperatures ≤ 105 °C

All connectors for mounted installations (snap-in versions for lighting fixtures or devices, all types of PCB and distribution connectors) are factory-equipped with locking levers to ensure plugs and sockets are securely locked. Additional locking levers are only required for flying leads (plug/socket).

Application note for the U.S. market (USR): Some versions may also be used for current interruption in accordance with the UL certificate in select applications with currents below 16 A and voltages up to 600 V. For further information, please contact your local sales office.

All WINSTA® components are 100% protected against mismatching in terms of:

- plugging different number of poles
- plugging when turned by 180°
- plugging when laterally staggered
- plugging one pole

Additional information, see "Technical Section"

Approvals and corresponding ratings, visit www.wago.com

Distribution Connector ▶ WINSTA® MIDI special ▶ Serie 770

No. of poles: 3

T-distribution connector ▶ Number of locking levers: 2

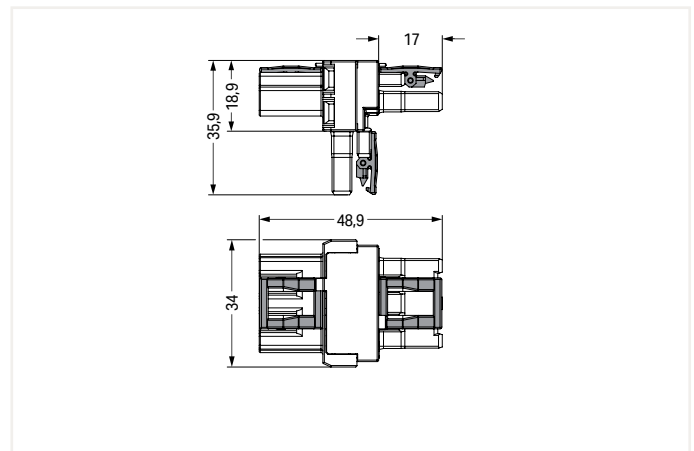
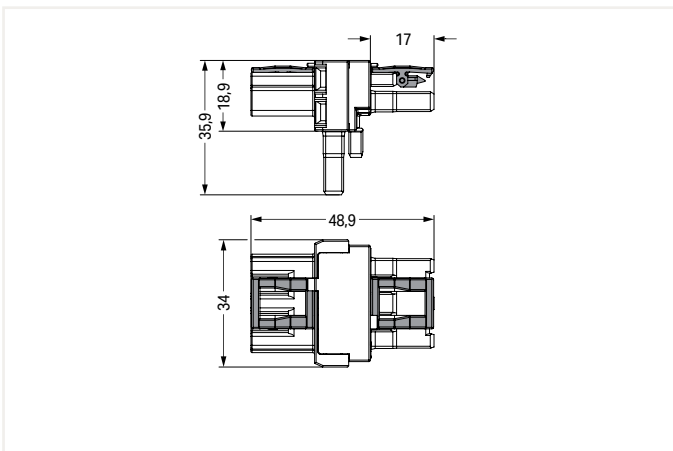
T-distribution connector ▶ Number of locking levers: 3 ▶ for flying leads



Fig. similar

Color	Coding	Marking	Item Number	PU
● gray	B	1 2 3	770-967	50
● light green	B	1 2 3	770-1612	50
● pink	B	1 2 3	770-1613	50

Color	Coding	Marking	Item Number	PU
● gray	B	1 2 3	770-970	50
● light green	B	1 2 3	770-1712	50
● pink	B	1 2 3	770-1713	50



4

Accessories; for all products on this page



Lockout cap; for socket; separable; No. of poles: 12		
Color	Item Number	PU
● black	770-201	100
○ white	770-221	100

Lockout cap; for plug; separable; No. of poles: 5		
Color	Item Number	PU
● yellow	770-360	100

PU = Packaging Unit; SPU = Subpackaging Unit; Dimensions in mm

Other variants can be requested via the WAGO sales department or, if necessary, configured at <https://configurator.wago.com/>:

- Other pole markings

Distribution Connector ▶ WINSTA® MIDI special ▶ Serie 770

No. of poles: 3

h-distribution connector, unidirectional ▶ Number of locking levers: 2

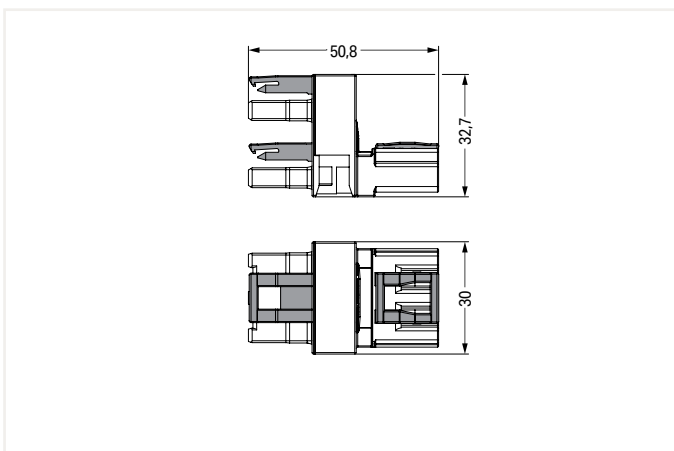
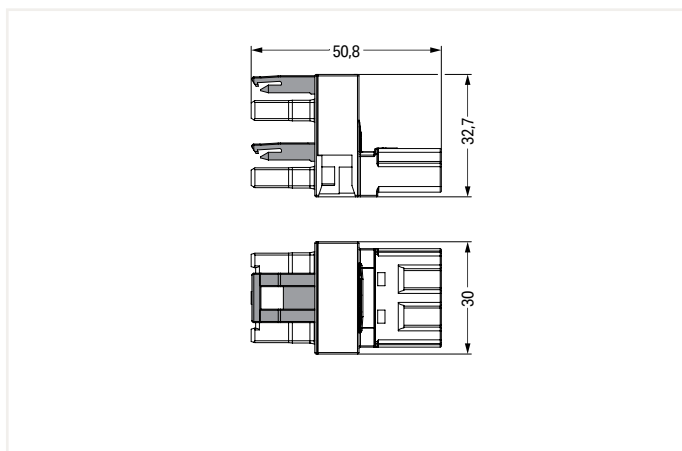
h-distribution connector, unidirectional ▶ Number of locking levers: 3 ▶ for flying leads



Color	Coding	Marking	Item Number	PU
gray	B	1 2 3	770-1661	50
light green	B	1 2 3	770-1662	50
pink	B	1 2 3	770-1663	50

Color	Coding	Marking	Item Number	PU
gray	B	1 2 3	770-1761	50
light green	B	1 2 3	770-1762	50
pink	B	1 2 3	770-1763	50

4



Accessories; for all products on this page



Lockout cap; for socket; separable; No. of poles: 12		
Color	Item Number	PU
● black	770-201	100
○ white	770-221	100

Lockout cap; for plug; separable; No. of poles: 5		
Color	Item Number	PU
● yellow	770-360	100

Mounting plate; for distribution connector (except T-distribution connector); 3-pole		
Color	Item Number	PU
● black	770-623	25
○ white	770-673	25

PU = Packaging Unit; SPU = Subpackaging Unit; Dimensions in mm

Other variants can be requested via the WAGO sales department or, if necessary, configured at <https://configurator.wago.com/>:

- Other pole markings

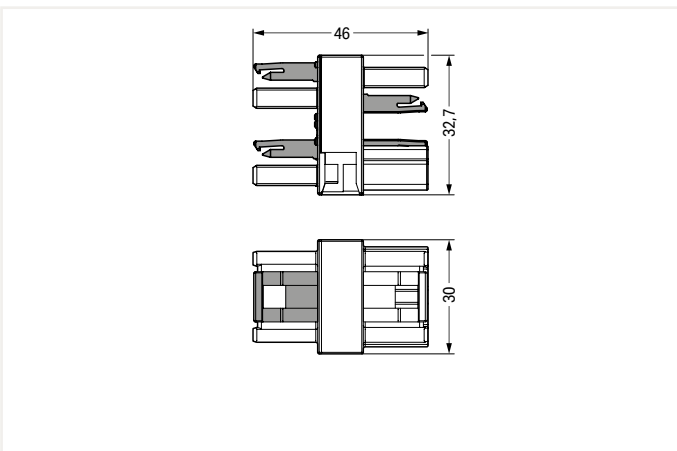
Distribution Connector ▶ WINSTA® MIDI special ▶ Serie 770

No. of poles: 3

Distribution connector, 3-way



Color	Coding	Marking	Item Number	PU
● gray	B	1 2 3	770-1714	50
● light green	B	1 2 3	770-1715	50
● pink	B	1 2 3	770-1716	50



4

Accessories; for all products on this page



Lockout cap; for socket; separable; No. of poles: 12		
Color	Item Number	PU
● black	770-201	100
○ white	770-221	100



Lockout cap; for plug; separable; No. of poles: 5		
Color	Item Number	PU
● yellow	770-360	100



Mounting plate; for distribution connector (except T-distribution connector); 3-pole		
Color	Item Number	PU
● black	770-623	25
○ white	770-673	25

PU = Packaging Unit; SPU = Subpackaging Unit; Dimensions in mm

Other variants can be requested via the WAGO sales department or, if necessary, configured at <https://configurator.wago.com/>:

- Other pole markings

Cable Assembly ▶ WINSTA® MIDI special ▶ Serie 771

No. of poles: 3 ▶ Protection class: IP20 ▶ Coding: B ▶ Marking: 1 2 3 ▶ PVC ▶ Reaction to fire class per EN 50575: E_{ca}



- Protected against mismatching and maintenance-free
- Additional variable coding is possible
- Components can be clearly printed on and color-coded to meet custom requirements

Electrical Data

Coding	B			B		
Cross section of single conductor	1 mm ²			1.5 mm ²		
Ratings per	IEC/EN 60664-1			IEC/EN 60664-1		
Overvoltage category	III	III	II	III	III	II
Pollution degree	3	2	2	3	2	2
Rated voltage	250 V	-	-	250 V	-	-
Rated impulse voltage	4 kV	-	-	4 kV	-	-
Rated current	10 A	-	-	16 A	-	-

Material Data

Insulating material	Polyamide 66 (PA 66)
Contact material	Copper or copper alloy; surface-treated
Reaction to fire class per EN 50575	E _{ca}

Mechanical Data

Number of mating cycles	200, without resistive load 100, with resistive load I _N = 25 A, tested (4 mm ² /AWG 12)
Mating force of a plug-in connection	approx. 20 ... 70 N (depending on pole number)
Unmating force of a plug-in connection	when unlocked: approx. 20 ... 70 N (depending on pole number)
Retention force of a plug-in connection	when locked: > 80N
Protection class	IP20
Note on protection class	In mated condition: IP2xC (These compact connectors are not designed for use in open, easily accessible areas.)

Environmental Requirements

Processing temperature	-5 ... +40 °C
Continuous operating temperature	-35 ... +85 °C
Note on continuous service temperature	PVC cable for temperatures ≤ 70 °C (including halogen-free) Insulating parts for temperatures ≤ 105 °C

Cables with different fire load are available in the eShop

Application note for the U.S. market (USR): Some versions may also be used for current interruption in accordance with the UL certificate in select applications with currents below 16 A and voltages up to 600 V. For further information, please contact your local sales office.

All WINSTA® components are 100% protected against mismatching in terms of:

- plugging different number of poles
- plugging when turned by 180°
- plugging when laterally staggered
- plugging one pole

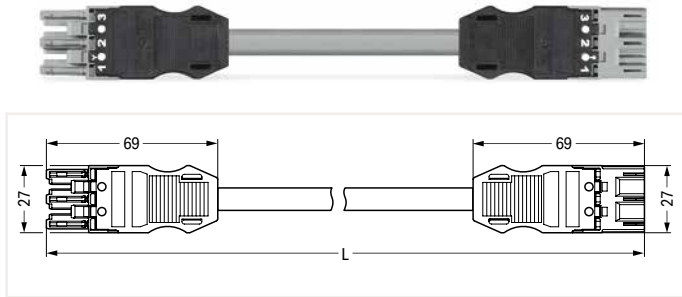
Marking Page 499

Additional information, see "Technical Section"

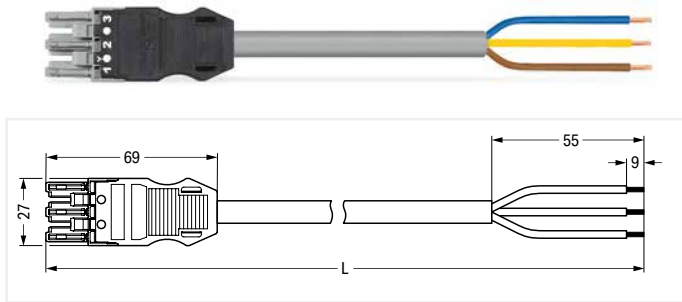
Approvals and corresponding ratings, visit www.wago.com

Cable Assembly ▶ WINSTA® MIDI special ▶ Serie 771

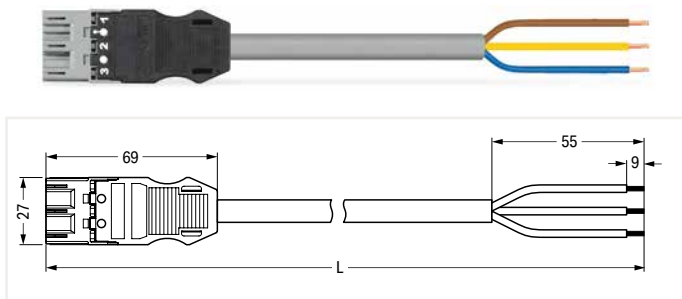
No. of poles: 3 ▶ Protection class: IP20 ▶ Coding: B ▶ Marking: 1 2 3 ▶ PVC ▶ Reaction to fire class per EN 50575: E_{ca} ▶ 1 mm² ▶ Cable diameter: 6.3 ... 8 mm ▶ Control line 3 x 1



Total length	Connector color / Strain relief color			PU
	gray / black	light green / black	pink / black	
1 m	771-9993/005-103	771-9993/005-105	771-9993/005-107	1
2 m	771-9993/005-203	771-9993/005-205	771-9993/005-207	1
3 m	771-9993/005-303	771-9993/005-305	771-9993/005-307	1
4 m	771-9993/005-403	771-9993/005-405	771-9993/005-407	1
5 m	771-9993/005-503	771-9993/005-505	771-9993/005-507	1
6 m	771-9993/005-603	771-9993/005-605	771-9993/005-607	1
7 m	771-9993/005-703	771-9993/005-705	771-9993/005-707	1
8 m	771-9993/005-803	771-9993/005-805	771-9993/005-807	1



Total length	Connector color / Strain relief color			PU
	gray / black	light green / black	pink / black	
1 m	771-9993/105-103	771-9993/105-105	771-9993/105-107	1
2 m	771-9993/105-203	771-9993/105-205	771-9993/105-207	1
3 m	771-9993/105-303	771-9993/105-305	771-9993/105-307	1
4 m	771-9993/105-403	771-9993/105-405	771-9993/105-407	1
5 m	771-9993/105-503	771-9993/105-505	771-9993/105-507	1
6 m	771-9993/105-603	771-9993/105-605	771-9993/105-607	1
7 m	771-9993/105-703	771-9993/105-705	771-9993/105-707	1
8 m	771-9993/105-803	771-9993/105-805	771-9993/105-807	1



Total length	Connector color / Strain relief color			PU
	gray / black	light green / black	pink / black	
1 m	771-9993/205-103	771-9993/205-105	771-9993/205-107	1
2 m	771-9993/205-203	771-9993/205-205	771-9993/205-207	1
3 m	771-9993/205-303	771-9993/205-305	771-9993/205-307	1
4 m	771-9993/205-403	771-9993/205-405	771-9993/205-407	1
5 m	771-9993/205-503	771-9993/205-505	771-9993/205-507	1
6 m	771-9993/205-603	771-9993/205-605	771-9993/205-607	1
7 m	771-9993/205-703	771-9993/205-705	771-9993/205-707	1
8 m	771-9993/205-803	771-9993/205-805	771-9993/205-807	1

4

Accessories; for all products on this page



Locking lever; for flying leads; manually operated		
Color	Item Number	PU (SPU)
● black	770-101	100 (25)
○ white	770-121	100 (25)

Locking lever; for flying leads; tool operated		
Color	Item Number	PU (SPU)
● black	770-111	100 (25)
○ white	770-131	100 (25)

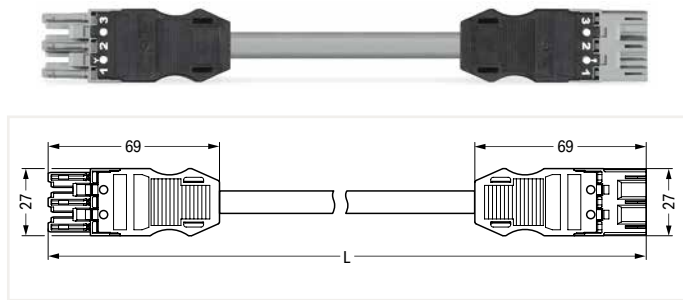
PU = Packaging Unit; SPU = Subpackaging Unit; Dimensions in mm

Other variants can be requested via the WAGO sales department or, if necessary, configured at <https://configurator.wago.com/>:

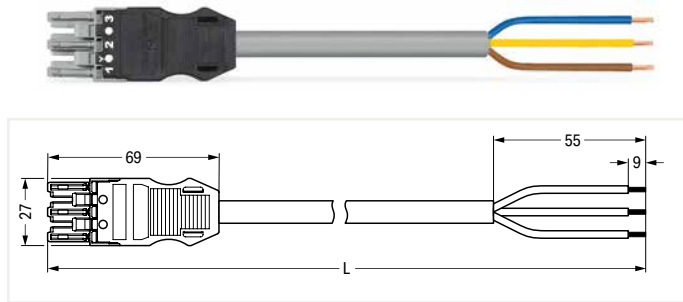
- Other pole markings

Cable Assembly ▶ WINSTA® MIDI special ▶ Serie 771

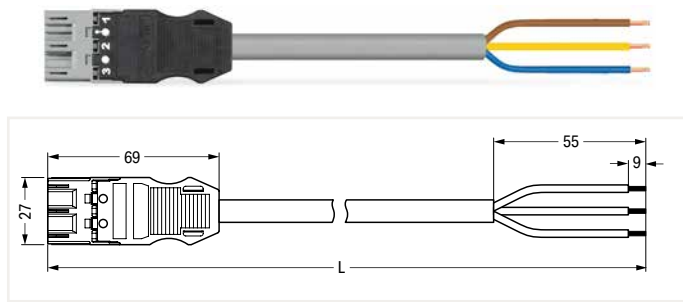
No. of poles: 3 ▶ Protection class: IP20 ▶ Coding: B ▶ Marking: 1 2 3 ▶ PVC ▶ Reaction to fire class per EN 50575: E_{ca} ▶ 1.5 mm² ▶ Cable diameter: 7.4 ... 9.4 mm ▶ Control line 3 x 1.5



Total length	Connector color / Strain relief color			PU
	gray / black	light green / black	pink / black	
1 m	771-9993/006-103	771-9993/006-105	771-9993/006-107	1
2 m	771-9993/006-203	771-9993/006-205	771-9993/006-207	1
3 m	771-9993/006-303	771-9993/006-305	771-9993/006-307	1
4 m	771-9993/006-403	771-9993/006-405	771-9993/006-407	1
5 m	771-9993/006-503	771-9993/006-505	771-9993/006-507	1
6 m	771-9993/006-603	771-9993/006-605	771-9993/006-607	1
7 m	771-9993/006-703	771-9993/006-705	771-9993/006-707	1
8 m	771-9993/006-803	771-9993/006-805	771-9993/006-807	1



Total length	Connector color / Strain relief color			PU
	gray / black	light green / black	pink / black	
1 m	771-9993/106-103	771-9993/106-105	771-9993/106-107	1
2 m	771-9993/106-203	771-9993/106-205	771-9993/106-207	1
3 m	771-9993/106-303	771-9993/106-305	771-9993/106-307	1
4 m	771-9993/106-403	771-9993/106-405	771-9993/106-407	1
5 m	771-9993/106-503	771-9993/106-505	771-9993/106-507	1
6 m	771-9993/106-603	771-9993/106-605	771-9993/106-607	1
7 m	771-9993/106-703	771-9993/106-705	771-9993/106-707	1
8 m	771-9993/106-803	771-9993/106-805	771-9993/106-807	1



Total length	Connector color / Strain relief color			PU
	gray / black	light green / black	pink / black	
1 m	771-9993/206-103	771-9993/206-105	771-9993/206-107	1
2 m	771-9993/206-203	771-9993/206-205	771-9993/206-207	1
3 m	771-9993/206-303	771-9993/206-305	771-9993/206-307	1
4 m	771-9993/206-403	771-9993/206-405	771-9993/206-407	1
5 m	771-9993/206-503	771-9993/206-505	771-9993/206-507	1
6 m	771-9993/206-603	771-9993/206-605	771-9993/206-607	1
7 m	771-9993/206-703	771-9993/206-705	771-9993/206-707	1
8 m	771-9993/206-803	771-9993/206-805	771-9993/206-807	1

4

Accessories; for all products on this page



Locking lever; for flying leads; manually operated		
Color	Item Number	PU (SPU)
● black	770-101	100 (25)
○ white	770-121	100 (25)

Locking lever; for flying leads; tool operated		
Color	Item Number	PU (SPU)
● black	770-111	100 (25)
○ white	770-131	100 (25)

PU = Packaging Unit; SPU = Subpackaging Unit; Dimensions in mm

Other variants can be requested via the WAGO sales department or, if necessary, configured at <https://configurator.wago.com/>:

- Other pole markings

Pluggable Connector ▶ WINSTA® MIDI special ▶ Serie 770

No. of poles: 4 ▶ Protection class: IP20



- Protected against mismatching and maintenance-free
- Push-in CAGE CLAMP® spring pressure connection technology allows solid conductors to be simply pushed into a unit
- Two-wire connection per pole for loops or bridges
- Additional variable coding is possible
- Components can be clearly printed on and color-coded to meet custom requirements

Electrical Data			
Coding	B		
Ratings per	IEC/EN 60664-1		
Overvoltage category	III	III	II
Pollution degree	3	2	2
Rated voltage	400 V	-	-
Rated impulse voltage	6 kV	-	-
Rated current	25 A	-	-

Connection Data	
Connection technology	Push-in CAGE CLAMP®
Strip length	9 mm / 0.35 inch
Nominal cross section	4 mm²
Solid conductor	0.5 ... 4 mm² / 20 ... 12 AWG
Solid conductor, push-in termination	1.5 ... 4 mm² / 16 ... 12 AWG
Stranded conductor	0.5 ... 2.5 mm² / 20 ... 14 AWG
Fine-stranded conductor	0.5 ... 4 mm² / 20 ... 12 AWG
Fine-stranded conductor with ferrule with plastic collar	0.25 ... 1.5 mm² / 20 ... 16 AWG
Fine-stranded conductor with ferrule without plastic collar	0.25 ... 2.5 mm² / 20 ... 14 AWG
Fine-stranded conductor with ferrule, push-in termination, from	1.5 mm² / 16 AWG

Material Data	
Insulating material	Polyamide 66 (PA 66)
Clamping spring material	Chrome nickel spring steel (CrNi)
Contact material	Copper or copper alloy; surface-treated

Mechanical Data	
Number of mating cycles	200, without resistive load 100, with resistive load $I_N = 25$ A, tested (4 mm²/AWG 12)
Mating force of a plug-in connection	Approx. 20 ... 70 N (depending on pole number)
Unmating force of a plug-in connection	When unlocked: approx. 20 ... 70 N (depending on pole number)
Retention force of a plug-in connection	When locked: > 80 N
Protection class	IP20
Note on protection class	In mated condition with strain relief housing: IP2xC (These compact connectors are not designed for use in open, easily accessible areas.)

Environmental Requirements	
Processing temperature	-5 ... +40 °C
Continuous operating temperature	-35 ... +85 °C
Note on continuous service temperature	Insulating parts for temperatures ≤ 105 °C

All connectors for mounted installations (snap-in versions for lighting fixtures or devices, all types of PCB and distribution connectors) are factory-equipped with locking levers to ensure plugs and sockets are securely locked. Additional locking levers are only required for flying leads (plug/socket).

Application note for the U.S. market (USR): Some versions may also be used for current interruption in accordance with the UL certificate in select applications with currents below 16 A and voltages up to 600 V. For further information, please contact your local sales office.

All WINSTA® components are 100% protected against mismatching in terms of:

- plugging different number of poles
- plugging when turned by 180°
- plugging when laterally staggered
- plugging one pole

Marking	Page 499
Strain relief	Page 480
Tools	Page 492
Additional information, see "Technical Section"	
Approvals and corresponding ratings, visit www.wago.com	

Pluggable Connector ▶ WINSTA® MIDI special ▶ Serie 770

No. of poles: 4 ▶ Protection class: IP20

Female connector/socket

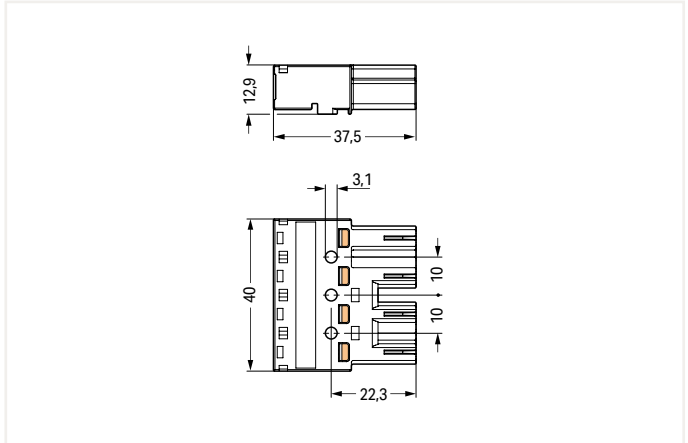
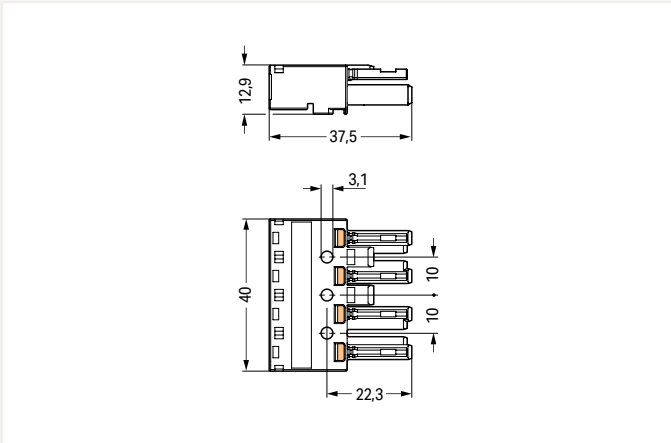
Male connector/plug



Color	Coding	Marking	Item Number	PU
gray	B	1 2 3 4	770-244	50
gray	B	N ⊕ 2/L 1/L'	770-244/060-000	50
gray	B	3 PE 2 1	770-244/062-000	50
gray	B	2L ⊕ 1L L	770-244/064-000	50
light green	B	1 2 3 4	770-264	50
light green	B	U-S U+ X/Y	770-264/071-000	50
light green	B	U- U+ DI AI	770-264/072-000	50
light green	B	1 ⊕ 2 3	770-264/073-000	50
pink	B	1 2 3 4	770-284	50
pink	B	1 2 5 3	770-284/081-000	50

Color	Coding	Marking	Item Number	PU
gray	B	1 2 3 4	770-254	50
gray	B	N ⊕ 2/L 1/L'	770-254/060-000	50
gray	B	3 PE 2 1	770-254/062-000	50
gray	B	2L ⊕ 1L L	770-254/064-000	50
light green	B	1 2 3 4	770-274	50
light green	B	U-S U+ X/Y	770-274/071-000	50
light green	B	U- U+ DI AI	770-274/072-000	50
light green	B	1 ⊕ 2 3	770-274/073-000	50
pink	B	1 2 3 4	770-294	50
pink	B	1 2 5 3	770-294/081-000	50

4



Item-Specific Accessories



Lockout cap; for socket; separable; No. of poles: 12

Color	Item Number	PU
● black	770-201	100
○ white	770-221	100

Item-Specific Accessories



Lockout cap; for plug; separable; No. of poles: 5

Color	Item Number	PU
● yellow	770-360	100

Accessories; for all products on this page



Locking lever; for flying leads; manually operated		
Color	Item Number	PU (SPU)
● black	770-101	100 (25)
○ white	770-121	100 (25)



Locking lever; for flying leads; tool operated		
Color	Item Number	PU (SPU)
● black	770-111	100 (25)
○ white	770-131	100 (25)



Strain relief housing; Connectable sheathed cable diameter: 9 ... 13 mm; Strip length: 55 mm		
Color	Item Number	PU
● black	770-504	25
○ white	770-514	25

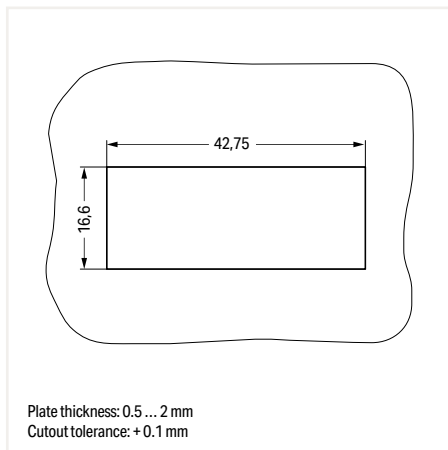
PU = Packaging Unit; SPU = Subpackaging Unit; Dimensions in mm

Other variants can be requested via the WAGO sales department or, if necessary, configured at <https://configurator.wago.com/>:

- Other pole markings

Snap-In Device Connector ▶ WINSTA® MIDI special ▶ Serie 770

No. of poles: 4 ▶ Protection class: IP20



- Protected against mismatching and maintenance-free
- Push-in CAGE CLAMP® spring pressure connection technology allows solid conductors to be simply pushed into a unit
- Two-wire connection per pole for loops or bridges
- Additional variable coding is possible
- Components can be clearly printed on and color-coded to meet custom requirements

Electrical Data

Coding	B		
Ratings per	IEC/EN 60664-1		
Overvoltage category	III	III	II
Pollution degree	3	2	2
Rated voltage	400 V	-	-
Rated impulse voltage	6 kV	-	-
Rated current	25 A	-	-

Connection Data

Connection technology	Push-in CAGE CLAMP®
Strip length	9 mm / 0.35 inch
Nominal cross section	4 mm²
Solid conductor	0.5 ... 4 mm² / 20 ... 12 AWG
Solid conductor, push-in termination	1.5 ... 4 mm² / 16 ... 12 AWG
Stranded conductor	0.5 ... 2.5 mm² / 20 ... 14 AWG
Fine-stranded conductor	0.5 ... 4 mm² / 20 ... 12 AWG
Fine-stranded conductor with ferrule with plastic collar	0.25 ... 1.5 mm² / 20 ... 16 AWG
Fine-stranded conductor with ferrule without plastic collar	0.25 ... 2.5 mm² / 20 ... 14 AWG
Fine-stranded conductor with ferrule, push-in termination, from	1.5 mm² / 16 AWG

Material Data

Insulating material	Polyamide 66 (PA 66)
Clamping spring material	Chrome nickel spring steel (CrNi)
Contact material	Copper or copper alloy; surface-treated

Mechanical Data

Number of mating cycles	200, without resistive load 100, with resistive load $I_N = 25$ A, tested (4 mm²/AWG 12)
Mating force of a plug-in connection	Approx. 20 ... 70 N (depending on pole number)
Unmating force of a plug-in connection	When unlocked: approx. 20 ... 70 N (depending on pole number)
Retention force of a plug-in connection	When locked: > 80 N
Protection class	IP20
Note on protection class	In mated condition: IP2xC (These compact connectors are not designed for use in open, easily accessible areas.)

Environmental Requirements

Processing temperature	-5 ... +40 °C
Continuous operating temperature	-35 ... +85 °C
Note on continuous service temperature	Insulating parts for temperatures ≤ 105 °C

All connectors for mounted installations (snap-in versions for lighting fixtures or devices, all types of PCB and distribution connectors) are factory-equipped with locking levers to ensure plugs and sockets are securely locked. Additional locking levers are only required for flying leads (plug/socket).

Application note for the U.S. market (USR): Some versions may also be used for current interruption in accordance with the UL certificate in select applications with currents below 16 A and voltages up to 600 V. For further information, please contact your local sales office.

All WINSTA® components are 100% protected against mismatching in terms of:

- plugging different number of poles
- plugging when turned by 180°
- plugging when laterally staggered
- plugging one pole

Coding Page 474

Tools Page 492

Additional information, see "Technical Section"

Approvals and corresponding ratings, visit www.wago.com

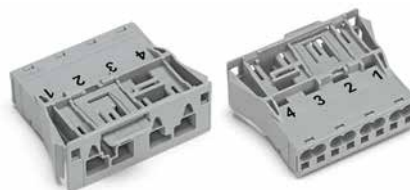
Snap-In Device Connector ▶ WINSTA® MIDI special ▶ Serie 770

No. of poles: 4 ▶ Protection class: IP20

Female connector/socket



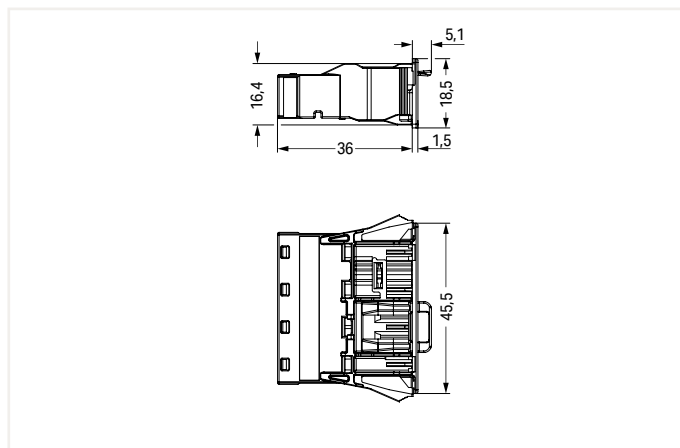
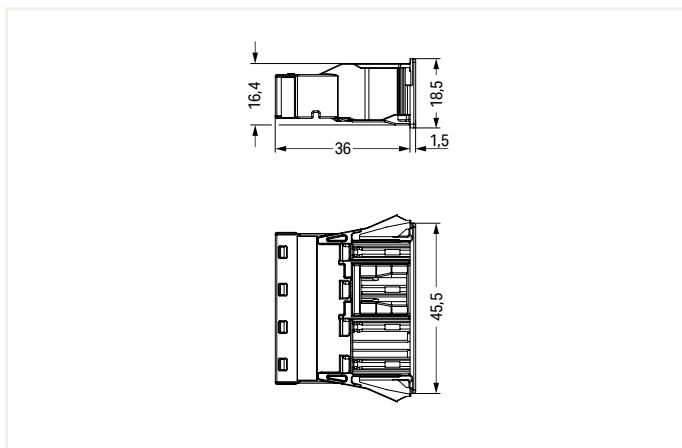
Male connector/plug



Color	Coding	Marking	Item Number	PU
● gray	B	1 2 3 4	770-744	100
● gray	B	N ⊕ 2/L 1/L'	770-744/060-000	100
● gray	B	3 PE 2 1	770-744/062-000	100
● gray	B	2L ⊕ 1L L	770-744/064-000	100
● light green	B	1 2 3 4	770-764	100
● light green	B	U- S U+ X/Y	770-764/071-000	100
● light green	B	U- U+ DI AI	770-764/072-000	100
● light green	B	1 ⊕ 2 3	770-764/073-000	100
● pink	B	1 2 3 4	770-784	100
● pink	B	1 2 5 3	770-784/081-000	100

Color	Coding	Marking	Item Number	PU
● gray	B	1 2 3 4	770-754	100
● gray	B	N ⊕ 2/L 1/L'	770-754/060-000	100
● gray	B	3 PE 2 1	770-754/062-000	100
● gray	B	2L ⊕ 1L L	770-754/064-000	100
● light green	B	1 2 3 4	770-774	100
● light green	B	U- S U+ X/Y	770-774/071-000	100
● light green	B	U- U+ DI AI	770-774/072-000	100
● light green	B	1 ⊕ 2 3	770-774/073-000	100
● pink	B	1 2 3 4	770-794	100
● pink	B	1 2 5 3	770-794/081-000	100

4



Item-Specific Accessories



Lockout cap; for socket; separable; No. of poles: 12

Color	Item Number	PU
● black	770-201	100
○ white	770-221	100

Item-Specific Accessories



Lockout cap; for plug; separable; No. of poles: 5

Color	Item Number	PU
● yellow	770-360	100

Accessories; for all products on this page



Lockout cap; for cutout; No. of poles: 4

Color	Item Number	PU
● black	770-644	100
○ white	770-694	100

PU = Packaging Unit; SPU = Subpackaging Unit; Dimensions in mm

Other variants can be requested via the WAGO sales department or, if necessary, configured at <https://configurator.wago.com/>:

- Other pole markings

Pluggable PCB Connector ▶ WINSTA® MIDI special ▶ Serie 770

No. of poles: 4



- Protected against mismatching and maintenance-free
- Push-in CAGE CLAMP® spring pressure connection technology allows solid conductors to be simply pushed into a unit
- Two-wire connection per pole for loops or bridges
- Additional variable coding is possible
- Components can be clearly printed on and color-coded to meet custom requirements

Electrical Data

Coding	B		
Ratings per	IEC/EN 60664-1		
Overvoltage category	III	III	II
Pollution degree	3	2	2
Rated voltage	400 V	-	-
Rated impulse voltage	6 kV	-	-
Rated current	25 A	-	-

Material Data

Insulating material	Polyamide 66 (PA 66)
Clamping spring material	Chrome nickel spring steel (CrNi)
Contact material	Copper or copper alloy; surface-treated

Mechanical Data

Solder pin arrangement	2 in-line solder pins/pole
Solder pin length	3.5 mm
Solder pin dimensions	1 x 0.8 mm
Drilled hole diameter (tolerance)	1.5 (+0.1 ... +0.1) mm
Number of mating cycles	200, without resistive load 100, with resistive load $I_N = 25$ A, tested (4 mm ² /AWG 12)
Mating force of a plug-in connection	Approx. 20 ... 70 N (depending on pole number)
Unmating force of a plug-in connection	When unlocked: approx. 20 ... 70 N (depending on pole number)
Retention force of a plug-in connection	When locked: > 80 N

Environmental Requirements

Processing temperature	-5 ... +40 °C
Continuous operating temperature	-35 ... +85 °C
Note on continuous service temperature	Insulating parts for temperatures ≤ 105 °C

All connectors for mounted installations (snap-in versions for lighting fixtures or devices, all types of PCB and distribution connectors) are factory-equipped with locking levers to ensure plugs and sockets are securely locked. Additional locking levers are only required for flying leads (plug/socket).

Application note for the U.S. market (USR): Some versions may also be used for current interruption in accordance with the UL certificate in select applications with currents below 16 A and voltages up to 600 V. For further information, please contact your local sales office.

All WINSTA® components are 100% protected against mismatching in terms of:

- plugging different number of poles
- plugging when turned by 180°
- plugging when laterally staggered
- plugging one pole

Coding Page 474

Additional information, see "Technical Section"

Approvals and corresponding ratings, visit www.wago.com

Pluggable PCB Connector ▶ WINSTA® MIDI special ▶ Serie 770

No. of poles: 4

Straight ▶ Female connector/socket



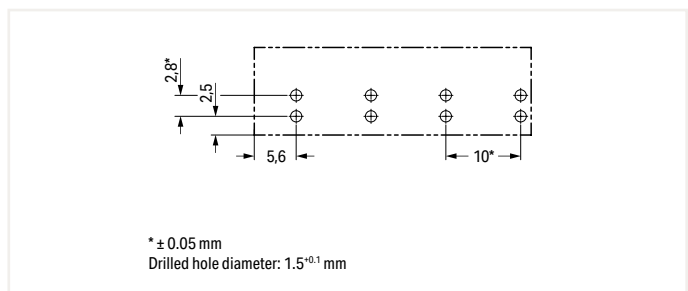
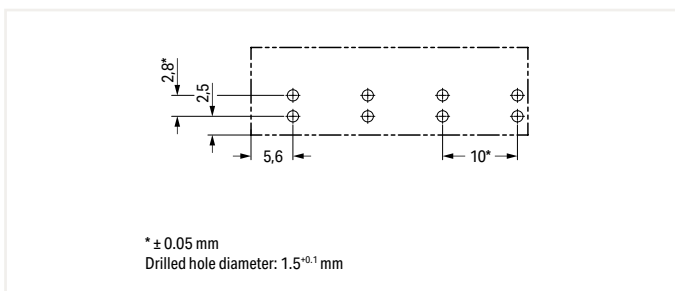
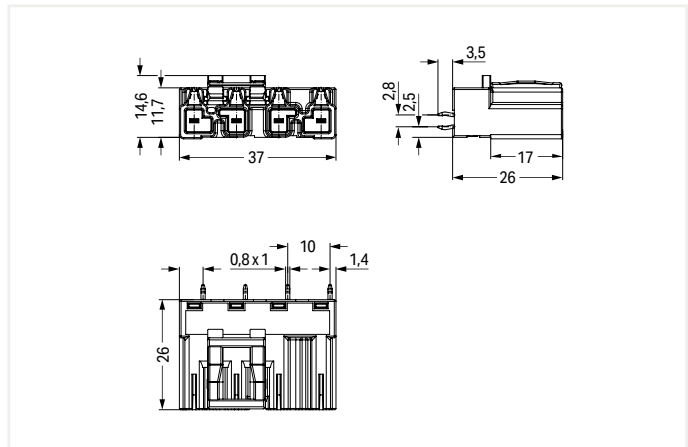
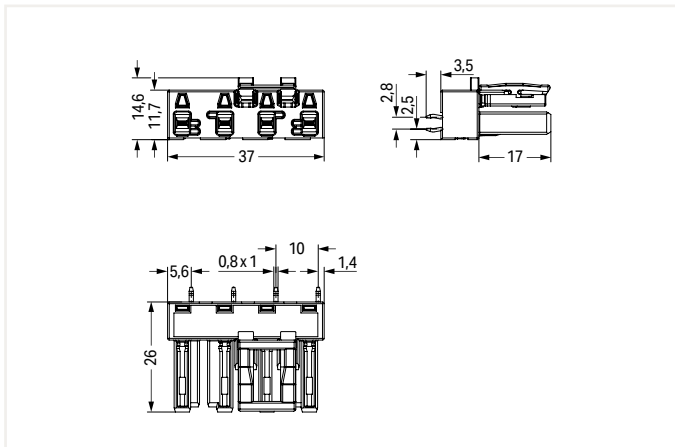
Straight ▶ Male connector/plug



Color	Coding	Marking	Item Number	PU
gray	B	1 2 3 4	770-844	50
gray	B	N ⊕ 2/L 1/L'	770-844/060-000	50
gray	B	3 PE 2 1	770-844/062-000	50
gray	B	2L ⊕ 1L L	770-844/064-000	50
light green	B	1 2 3 4	770-864	50
light green	B	U-S U+ X/Y	770-864/071-000	50
light green	B	U- U+ DI AI	770-864/072-000	50
light green	B	1 ⊕ 2 3	770-864/073-000	50
pink	B	1 2 3 4	770-884	50
pink	B	1 2 5 3	770-884/081-000	50

Color	Coding	Marking	Item Number	PU
gray	B	1 2 3 4	770-854	50
gray	B	N ⊕ 2/L 1/L'	770-854/060-000	50
gray	B	3 PE 2 1	770-854/062-000	50
gray	B	2L ⊕ 1L L	770-854/064-000	50
light green	B	1 2 3 4	770-874	50
light green	B	U-S U+ X/Y	770-874/071-000	50
light green	B	U- U+ DI AI	770-874/072-000	50
light green	B	1 ⊕ 2 3	770-874/073-000	50
pink	B	1 2 3 4	770-894	50
pink	B	1 2 5 3	770-894/081-000	50

4



Item-Specific Accessories



Lockout cap; for socket; separable; No. of poles: 12

Color	Item Number	PU
black	770-201	100
white	770-221	100

Item-Specific Accessories



Lockout cap; for plug; separable; No. of poles: 5

Color	Item Number	PU
yellow	770-360	100

PU = Packaging Unit; SPU = Subpackaging Unit; Dimensions in mm

Other variants can be requested via the WAGO sales department or, if necessary, configured at <https://configurator.wago.com/>:

- Other pole markings

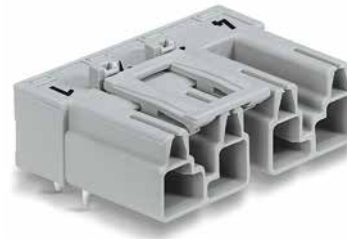
Pluggable PCB Connector ▶ WINSTA® MIDI special ▶ Serie 770

No. of poles: 4

Angled ▶ Female connector/socket



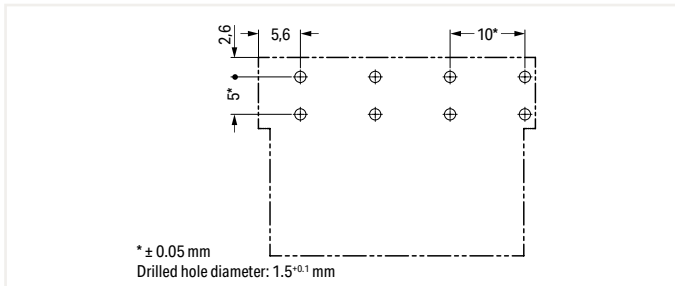
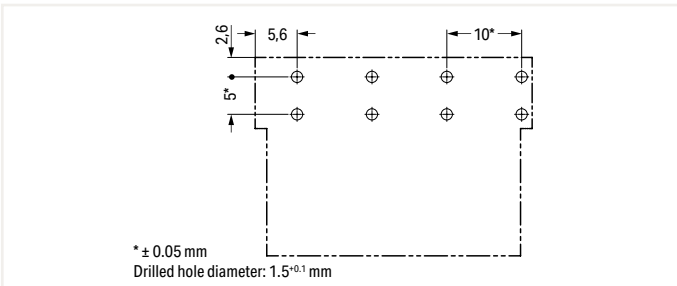
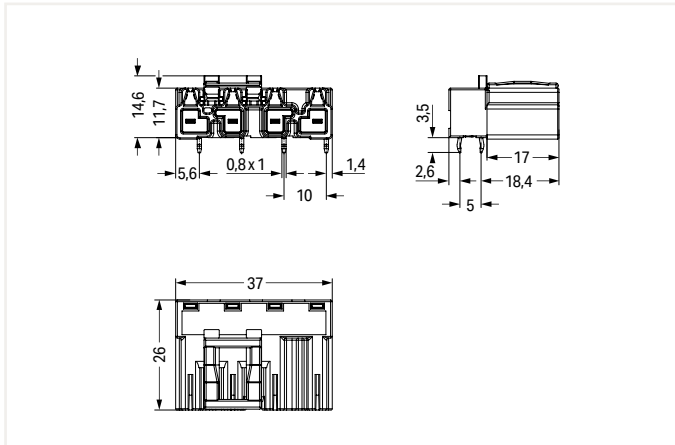
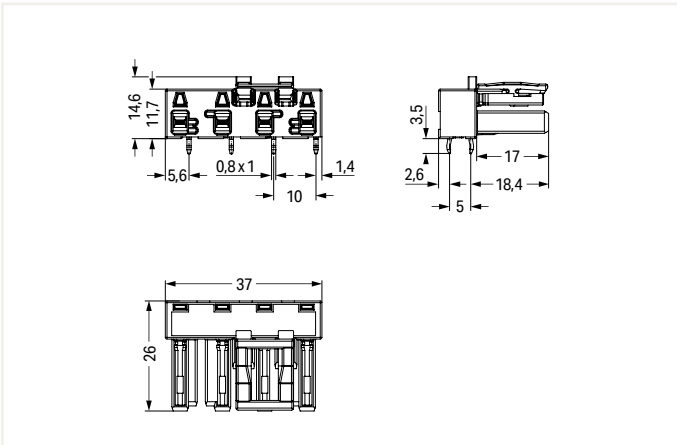
Angled ▶ Male connector/plug



Color	Coding	Marking	Item Number	PU
gray	B	1 2 3 4	770-844/011-000	50
gray	B	N ⊕ 2/L 1/L'	770-844/011-000/060-000	50
gray	B	3 PE 2 1	770-844/011-000/062-000	50
gray	B	2L ⊕ 1L L	770-844/011-000/064-000	50
light green	B	1 2 3 4	770-864/011-000	50
light green	B	U- S U+ X/Y	770-864/011-000/071-000	50
light green	B	U- U+ DI AI	770-864/011-000/072-000	50
light green	B	1 ⊕ 2 3	770-864/011-000/073-000	50
pink	B	1 2 3 4	770-884/011-000	50
pink	B	1 2 5 3	770-884/011-000/081-000	50

Color	Coding	Marking	Item Number	PU
gray	B	1 2 3 4	770-854/011-000	50
gray	B	N ⊕ 2/L 1/L'	770-854/011-000/060-000	50
gray	B	3 PE 2 1	770-854/011-000/062-000	50
gray	B	2L ⊕ 1L L	770-854/011-000/064-000	50
light green	B	1 2 3 4	770-874/011-000	50
light green	B	U- S U+ X/Y	770-874/011-000/071-000	50
light green	B	U- U+ DI AI	770-874/011-000/072-000	50
light green	B	1 ⊕ 2 3	770-874/011-000/073-000	50
pink	B	1 2 3 4	770-894/011-000	50
pink	B	1 2 5 3	770-894/011-000/081-000	50

4



Item-Specific Accessories



Lockout cap; for socket; separable; No. of poles: 12		
Color	Item Number	PU
black	770-201	100
white	770-221	100

Item-Specific Accessories



Lockout cap; for plug; separable; No. of poles: 5		
Color	Item Number	PU
yellow	770-360	100

PU = Packaging Unit; SPU = Subpackaging Unit; Dimensions in mm

Other variants can be requested via the WAGO sales department or, if necessary, configured at <https://configurator.wago.com/>:

- Other pole markings

Distribution Connector ▶ WINSTA® MIDI special ▶ Serie 770

No. of poles: 4



- Protected against mismatching and maintenance-free
- Additional variable coding is possible
- Components can be clearly printed on and color-coded to meet custom requirements

Electrical Data			
Coding	B		
Ratings per	IEC/EN 60664-1		
Overvoltage category	III	III	II
Pollution degree	3	2	2
Rated voltage	400 V	-	-
Rated impulse voltage	6 kV	-	-
Rated current	25 A	-	-

Material Data	
Insulating material	Polyamide 66 (PA 66)
Contact material	Copper or copper alloy; surface-treated

Mechanical Data	
Number of mating cycles	200, without resistive load 100, with resistive load $I_N = 25$ A, tested (4 mm ² /AWG 12)
Mating force of a plug-in connection	approx. 20 ... 70 N (depending on pole number)
Unmating force of a plug-in connection	when unlocked: approx. 20 ... 70 N (depending on pole number)
Retention force of a plug-in connection	When locked: > 80 N
Protection class	IP20
Note on protection class	In mated condition: IP2xC (These compact connectors are not designed for use in open, easily accessible areas.)

Environmental Requirements	
Processing temperature	-5 ... +40 °C
Continuous operating temperature	-35 ... +85 °C
Note on continuous service temperature	Insulating parts for temperatures ≤ 105 °C

All connectors for mounted installations (snap-in versions for lighting fixtures or devices, all types of PCB and distribution connectors) are factory-equipped with locking levers to ensure plugs and sockets are securely locked. Additional locking levers are only required for flying leads (plug/socket).

Application note for the U.S. market (USR): Some versions may also be used for current interruption in accordance with the UL certificate in select applications with currents below 16 A and voltages up to 600 V. For further information, please contact your local sales office.

All WINSTA® components are 100% protected against mismatching in terms of:

- plugging different number of poles
- plugging when turned by 180°
- plugging when laterally staggered
- plugging one pole

Additional information, see "Technical Section"

Approvals and corresponding ratings, visit www.wago.com

Distribution Connector ▶ WINSTA® MIDI special ▶ Serie 770

No. of poles: 4

T-distribution connector ▶ Number of locking levers: 2

T-distribution connector ▶ Number of locking levers: 3 ▶ for flying leads

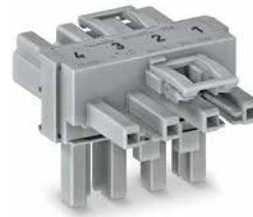
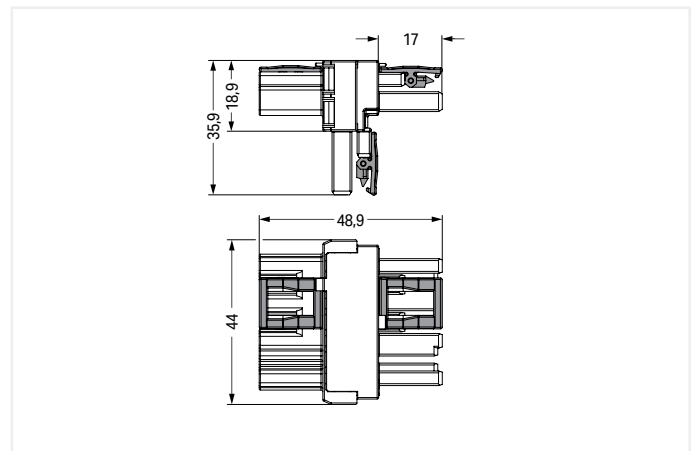
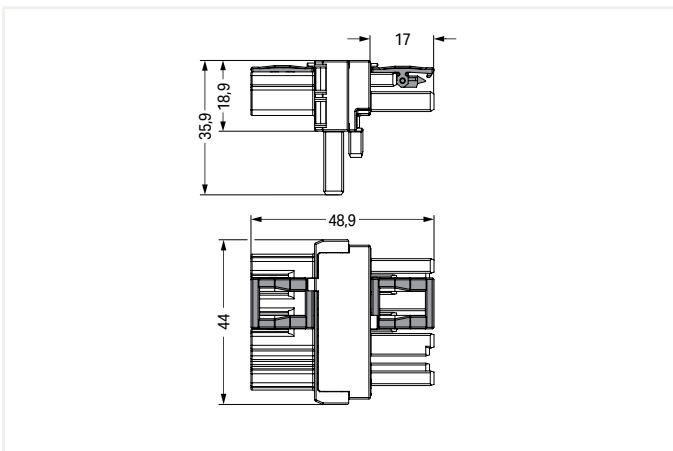


Fig. similar

Color	Coding	Marking	Item Number	PU
gray	B	1 2 3 4	770-1631	50
light green	B	1 2 3 4	770-1632	50
pink	B	1 2 3 4	770-1633	50

Color	Coding	Marking	Item Number	PU
gray	B	1 2 3 4	770-1731	50
light green	B	1 2 3 4	770-1732	50
pink	B	1 2 3 4	770-1733	50



4

Accessories; for all products on this page



Lockout cap; for socket; separable; No. of poles: 12		
Color	Item Number	PU
● black	770-201	100
○ white	770-221	100

Lockout cap; for plug; separable; No. of poles: 5		
Color	Item Number	PU
● yellow	770-360	100

PU = Packaging Unit; SPU = Subpackaging Unit; Dimensions in mm

Other variants can be requested via the WAGO sales department or, if necessary, configured at <https://configurator.wago.com/>:

- Other pole markings

Distribution Connector ▶ WINSTA® MIDI special ▶ Serie 770

No. of poles: 4

h-distribution connector, unidirectional ▶ Number of locking levers: 2

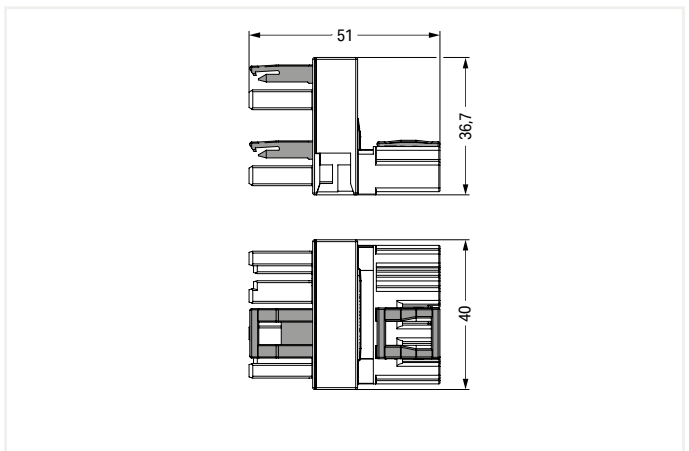
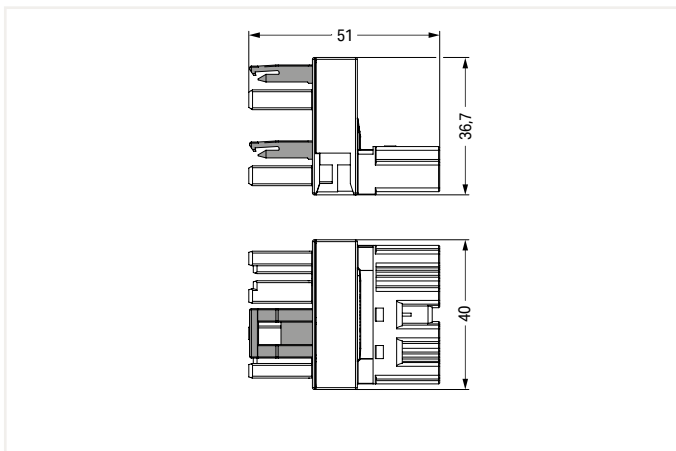
h-distribution connector, unidirectional ▶ Number of locking levers: 3 ▶ for flying leads



Color	Coding	Marking	Item Number	PU
gray	B	1 2 3 4	770-1681	50
light green	B	1 2 3 4	770-1682	50
pink	B	1 2 3 4	770-1683	50

Color	Coding	Marking	Item Number	PU
gray	B	1 2 3 4	770-1781	50
light green	B	1 2 3 4	770-1782	50
pink	B	1 2 3 4	770-1783	50

4



Accessories; for all products on this page



Lockout cap; for socket; separable; No. of poles: 12		
Color	Item Number	PU
● black	770-201	100
○ white	770-221	100



Lockout cap; for plug; separable; No. of poles: 5		
Color	Item Number	PU
● yellow	770-360	100



Mounting plate; for distribution connector (except T-distribution connector); 4-pole		
Color	Item Number	PU
● black	770-624	25
○ white	770-674	25

PU = Packaging Unit; SPU = Subpackaging Unit; Dimensions in mm

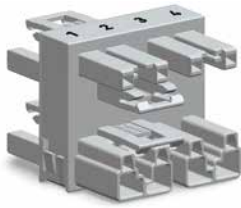
Other variants can be requested via the WAGO sales department or, if necessary, configured at <https://configurator.wago.com/>:

- Other pole markings

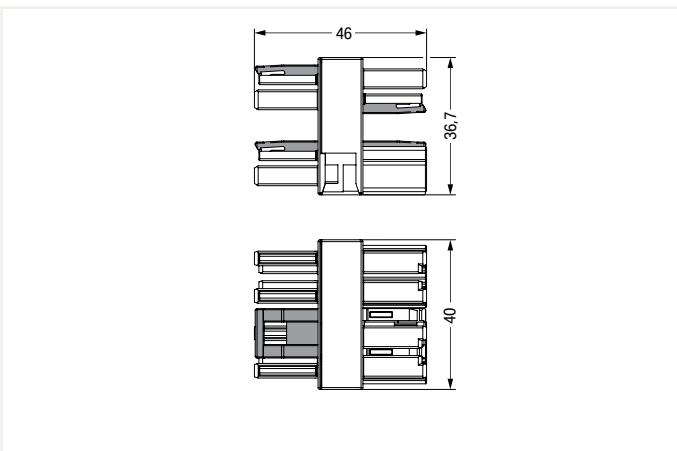
Distribution Connector ▶ WINSTA® MIDI special ▶ Serie 770

No. of poles: 4

Distribution connector, 3-way



Color	Coding	Marking	Item Number	PU
● gray	B	1 2 3 4	770-1734	50
● light green	B	1 2 3 4	770-1735	50
● pink	B	1 2 3 4	770-1736	50



4

Accessories; for all products on this page



Lockout cap; for socket; separable; No. of poles: 12		
Color	Item Number	PU
● black	770-201	100
○ white	770-221	100



Lockout cap; for plug; separable; No. of poles: 5		
Color	Item Number	PU
● yellow	770-360	100



Mounting plate; for distribution connector (except T-distribution connector); 4-pole		
Color	Item Number	PU
● black	770-624	25
○ white	770-674	25

PU = Packaging Unit; SPU = Subpackaging Unit; Dimensions in mm

Other variants can be requested via the WAGO sales department or, if necessary, configured at <https://configurator.wago.com/>:

- Other pole markings

Cable Assembly ▶ WINSTA® MIDI special ▶ Serie 771

No. of poles: 4 ▶ Protection class: IP20 ▶ Coding: B ▶ Marking: 1 2 3 4 ▶ PVC ▶ Reaction to fire class per EN 50575: E_{ca}



- Protected against mismatching and maintenance-free
- Additional variable coding is possible
- Components can be clearly printed on and color-coded to meet custom requirements

Electrical Data

Coding	B			B		
Cross section of single conductor	1 mm ²			1.5 mm ²		
Ratings per	IEC/EN 60664-1			IEC/EN 60664-1		
Overvoltage category	III	III	II	III	III	II
Pollution degree	3	2	2	3	2	2
Rated voltage	400 V	-	-	400 V	-	-
Rated impulse voltage	6 kV	-	-	6 kV	-	-
Rated current	10 A	-	-	16 A	-	-

Material Data

Insulating material	Polyamide 66 (PA 66)
Contact material	Copper or copper alloy; surface-treated
Reaction to fire class per EN 50575	E _{ca}

Mechanical Data

Number of mating cycles	200, without resistive load 100, with resistive load I _N = 25 A, tested (4 mm ² /AWG 12)
Mating force of a plug-in connection	approx. 20 ... 70 N (depending on pole number)
Unmating force of a plug-in connection	when unlocked: approx. 20 ... 70 N (depending on pole number)
Retention force of a plug-in connection	when locked: > 80N
Protection class	IP20
Note on protection class	In mated condition: IP2xC (These compact connectors are not designed for use in open, easily accessible areas.)

Environmental Requirements

Processing temperature	-5 ... +40 °C
Continuous operating temperature	-35 ... +85 °C
Note on continuous service temperature	PVC cable for temperatures ≤ 70 °C (including halogen-free) Insulating parts for temperatures ≤ 105 °C

Cables with different fire load are available in the eShop

Application note for the U.S. market (USR): Some versions may also be used for current interruption in accordance with the UL certificate in select applications with currents below 16 A and voltages up to 600 V. For further information, please contact your local sales office.

All WINSTA® components are 100% protected against mismatching in terms of:

- plugging different number of poles
- plugging when turned by 180°
- plugging when laterally staggered
- plugging one pole

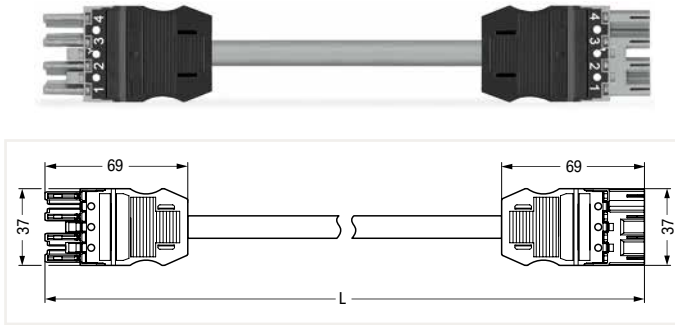
Marking Page 499

Additional information, see "Technical Section"

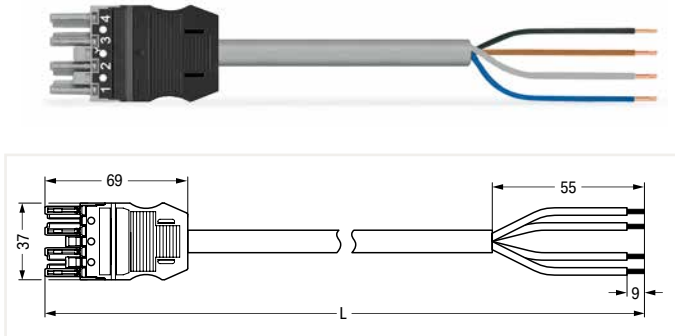
Approvals and corresponding ratings, visit www.wago.com

Cable Assembly ▶ WINSTA® MIDI special ▶ Serie 771

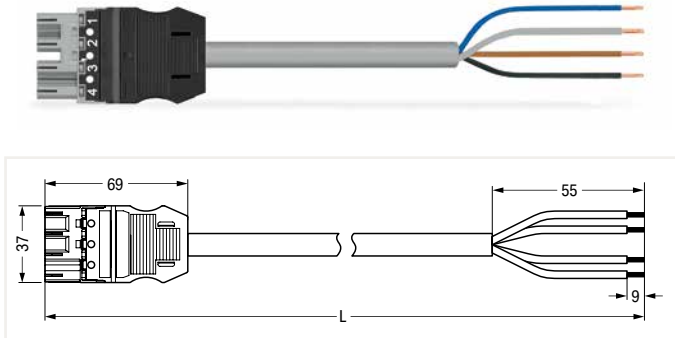
No. of poles: 4 ▶ Protection class: IP20 ▶ Coding: B ▶ Marking: 1 2 3 4 ▶ PVC ▶ Reaction to fire class per EN 50575: E_{ca} ▶ 1 mm² ▶ Cable diameter: 7.1 ... 9 mm ▶ Control line 4 x 1



Total length	Connector color / Strain relief color			PU
	gray / black	light green / black	pink / black	
1 m	771-9994/005-103	771-9994/005-105	771-9994/005-107	1
2 m	771-9994/005-203	771-9994/005-205	771-9994/005-207	1
3 m	771-9994/005-303	771-9994/005-305	771-9994/005-307	1
4 m	771-9994/005-403	771-9994/005-405	771-9994/005-407	1
5 m	771-9994/005-503	771-9994/005-505	771-9994/005-507	1
6 m	771-9994/005-603	771-9994/005-605	771-9994/005-607	1
7 m	771-9994/005-703	771-9994/005-705	771-9994/005-707	1
8 m	771-9994/005-803	771-9994/005-805	771-9994/005-807	1



Total length	Connector color / Strain relief color			PU
	gray / black	light green / black	pink / black	
1 m	771-9994/105-103	771-9994/105-105	771-9994/105-107	1
2 m	771-9994/105-203	771-9994/105-205	771-9994/105-207	1
3 m	771-9994/105-303	771-9994/105-305	771-9994/105-307	1
4 m	771-9994/105-403	771-9994/105-405	771-9994/105-407	1
5 m	771-9994/105-503	771-9994/105-505	771-9994/105-507	1
6 m	771-9994/105-603	771-9994/105-605	771-9994/105-607	1
7 m	771-9994/105-703	771-9994/105-705	771-9994/105-707	1
8 m	771-9994/105-803	771-9994/105-805	771-9994/105-807	1



Total length	Connector color / Strain relief color			PU
	gray / black	light green / black	pink / black	
1 m	771-9994/205-103	771-9994/205-105	771-9994/205-107	1
2 m	771-9994/205-203	771-9994/205-205	771-9994/205-207	1
3 m	771-9994/205-303	771-9994/205-305	771-9994/205-307	1
4 m	771-9994/205-403	771-9994/205-405	771-9994/205-407	1
5 m	771-9994/205-503	771-9994/205-505	771-9994/205-507	1
6 m	771-9994/205-603	771-9994/205-605	771-9994/205-607	1
7 m	771-9994/205-703	771-9994/205-705	771-9994/205-707	1
8 m	771-9994/205-803	771-9994/205-805	771-9994/205-807	1

4

Accessories; for all products on this page



Locking lever; for flying leads; manually operated		
Color	Item Number	PU (SPU)
● black	770-101	100 (25)
○ white	770-121	100 (25)

Locking lever; for flying leads; tool operated		
Color	Item Number	PU (SPU)
● black	770-111	100 (25)
○ white	770-131	100 (25)

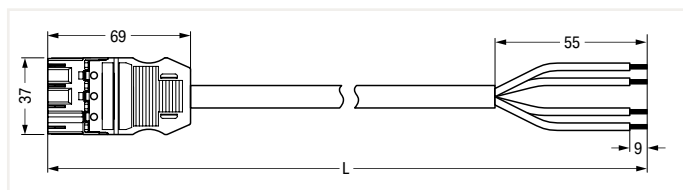
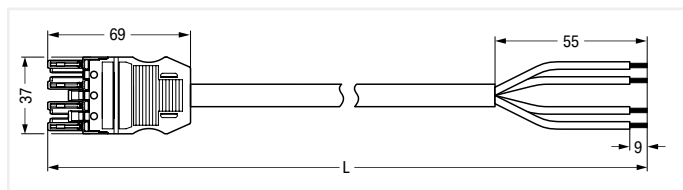
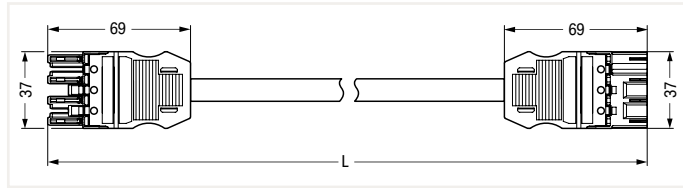
PU = Packaging Unit; SPU = Subpackaging Unit; Dimensions in mm

Other variants can be requested via the WAGO sales department or, if necessary, configured at <https://configurator.wago.com/>:

- Other pole markings

Cable Assembly ▶ WINSTA® MIDI special ▶ Serie 771

No. of poles: 4 ▶ Protection class: IP20 ▶ Coding: B ▶ Marking: 1 2 3 4 ▶ PVC ▶ Reaction to fire class per EN 50575: E_{ca} ▶ 1.5 mm² ▶ Cable diameter: 8.4 ... 10.5 mm ▶ Control line 4 x 1.5



Interconnecting cable ▶ Socket - Plug

Total length	Connector color / Strain relief color			PU
	gray / black	light green / black	pink / black	
1 m	771-9994/006-103	771-9994/006-105	771-9994/006-107	1
2 m	771-9994/006-203	771-9994/006-205	771-9994/006-207	1
3 m	771-9994/006-303	771-9994/006-305	771-9994/006-307	1
4 m	771-9994/006-403	771-9994/006-405	771-9994/006-407	1
5 m	771-9994/006-503	771-9994/006-505	771-9994/006-507	1
6 m	771-9994/006-603	771-9994/006-605	771-9994/006-607	1
7 m	771-9994/006-703	771-9994/006-705	771-9994/006-707	1
8 m	771-9994/006-803	771-9994/006-805	771-9994/006-807	1

Connecting cable ▶ Socket - Free end

Total length	Connector color / Strain relief color			PU
	gray / black	light green / black	pink / black	
1 m	771-9994/106-103	771-9994/106-105	771-9994/106-107	1
2 m	771-9994/106-203	771-9994/106-205	771-9994/106-207	1
3 m	771-9994/106-303	771-9994/106-305	771-9994/106-307	1
4 m	771-9994/106-403	771-9994/106-405	771-9994/106-407	1
5 m	771-9994/106-503	771-9994/106-505	771-9994/106-507	1
6 m	771-9994/106-603	771-9994/106-605	771-9994/106-607	1
7 m	771-9994/106-703	771-9994/106-705	771-9994/106-707	1
8 m	771-9994/106-803	771-9994/106-805	771-9994/106-807	1

Connecting cable ▶ Plug - Free end

Total length	Connector color / Strain relief color			PU
	gray / black	light green / black	pink / black	
1 m	771-9994/206-103	771-9994/206-105	771-9994/206-107	1
2 m	771-9994/206-203	771-9994/206-205	771-9994/206-207	1
3 m	771-9994/206-303	771-9994/206-305	771-9994/206-307	1
4 m	771-9994/206-403	771-9994/206-405	771-9994/206-407	1
5 m	771-9994/206-503	771-9994/206-505	771-9994/206-507	1
6 m	771-9994/206-603	771-9994/206-605	771-9994/206-607	1
7 m	771-9994/206-703	771-9994/206-705	771-9994/206-707	1
8 m	771-9994/206-803	771-9994/206-805	771-9994/206-807	1

4

Accessories; for all products on this page



Locking lever; for flying leads; manually operated		
Color	Item Number	PU (SPU)
● black	770-101	100 (25)
○ white	770-121	100 (25)

Locking lever; for flying leads; tool operated		
Color	Item Number	PU (SPU)
● black	770-111	100 (25)
○ white	770-131	100 (25)

PU = Packaging Unit; SPU = Subpackaging Unit; Dimensions in mm

Other variants can be requested via the WAGO sales department or, if necessary, configured at <https://configurator.wago.com/>:

- Other pole markings

Pluggable Connector ▶ WINSTA® MIDI special ▶ Serie 770

No. of poles: 5 ▶ Protection class: IP20



- Protected against mismatching and maintenance-free
- Push-in CAGE CLAMP® spring pressure connection technology allows solid conductors to be simply pushed into a unit
- Two-wire connection per pole for loops or bridges
- Additional variable coding is possible
- Components can be clearly printed on and color-coded to meet custom requirements

Electrical Data			
Coding	B		
Ratings per	IEC/EN 60664-1		
Overvoltage category	III	III	II
Pollution degree	3	2	2
Rated voltage	400 V	-	-
Rated impulse voltage	6 kV	-	-
Rated current	25 A	-	-

Connection Data	
Connection technology	Push-in CAGE CLAMP®
Strip length	9 mm / 0.35 inch
Nominal cross section	4 mm²
Solid conductor	0.5 ... 4 mm² / 20 ... 12 AWG
Solid conductor, push-in termination	1.5 ... 4 mm² / 16 ... 12 AWG
Stranded conductor	0.5 ... 2.5 mm² / 20 ... 14 AWG
Fine-stranded conductor	0.5 ... 4 mm² / 20 ... 12 AWG
Fine-stranded conductor with ferrule with plastic collar	0.25 ... 1.5 mm² / 20 ... 16 AWG
Fine-stranded conductor with ferrule without plastic collar	0.25 ... 2.5 mm² / 20 ... 14 AWG
Fine-stranded conductor with ferrule, push-in termination, from	1.5 mm² / 16 AWG

Material Data	
Insulating material	Polyamide 66 (PA 66)
Clamping spring material	Chrome nickel spring steel (CrNi)
Contact material	Copper or copper alloy; surface-treated

Mechanical Data	
Number of mating cycles	200, without resistive load 100, with resistive load $I_N = 25$ A, tested (4 mm²/AWG 12)
Mating force of a plug-in connection	Approx. 20 ... 70 N (depending on pole number)
Unmating force of a plug-in connection	When unlocked: approx. 20 ... 70 N (depending on pole number)
Retention force of a plug-in connection	When locked: > 80 N
Protection class	IP20
Note on protection class	In mated condition with strain relief housing: IP2xC (These compact connectors are not designed for use in open, easily accessible areas.)

Environmental Requirements	
Processing temperature	-5 ... +40 °C
Continuous operating temperature	-35 ... +85 °C
Note on continuous service temperature	Insulating parts for temperatures ≤ 105 °C

All connectors for mounted installations (snap-in versions for lighting fixtures or devices, all types of PCB and distribution connectors) are factory-equipped with locking levers to ensure plugs and sockets are securely locked. Additional locking levers are only required for flying leads (plug/socket).

Application note for the U.S. market (USR): Some versions may also be used for current interruption in accordance with the UL certificate in select applications with currents below 16 A and voltages up to 600 V. For further information, please contact your local sales office.

All WINSTA® components are 100% protected against mismatching in terms of:

- plugging different number of poles
- plugging when turned by 180°
- plugging when laterally staggered
- plugging one pole

Coding	Page 474
Marking	Page 499
Strain relief	Page 481
Tools	Page 492
Additional information, see "Technical Section"	
Approvals and corresponding ratings, visit www.wago.com	

Pluggable Connector ▶ WINSTA® MIDI special ▶ Serie 770

No. of poles: 5 ▶ Protection class: IP20

Female connector/socket



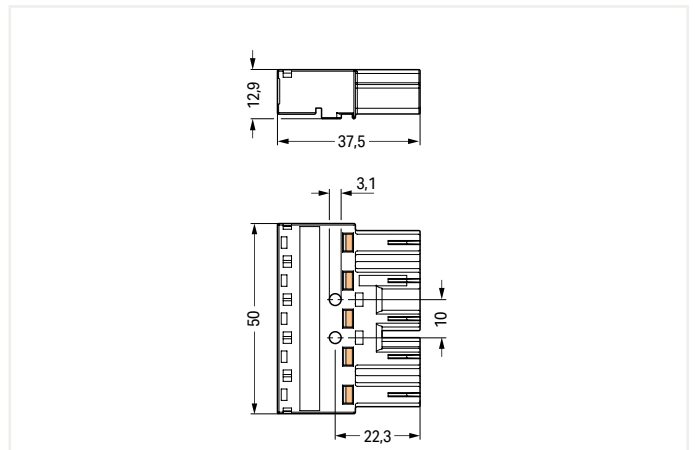
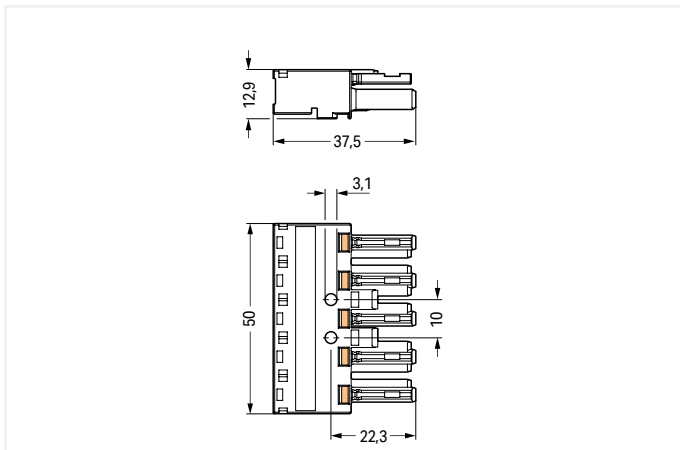
Male connector/plug



Color	Coding	Marking	Item Number	PU
gray	B	1 2 3 4 5	770-245	50
gray	B	N ⊕ L1 L2 L3	770-245/060-000	50
gray	B	N PE 3 2 1	770-245/062-000	50
gray	B	N ⊕ L 2L 1L	770-245/064-000	50
light green	B	1 2 3 4 5	770-265	50
light green	B	1 ⊕ 2 3 4	770-265/073-000	50
pink	B	1 2 3 4 5	770-285	50
pink	B	N ⊕ L I- I+	770-285/080-000	50
pink	B	N ⊕ L - +	770-285/082-000	50

Color	Coding	Marking	Item Number	PU
gray	B	1 2 3 4 5	770-255	50
gray	B	N ⊕ L1 L2 L3	770-255/060-000	50
gray	B	N PE 3 2 1	770-255/062-000	50
gray	B	N ⊕ L 2L 1L	770-255/064-000	50
light green	B	1 2 3 4 5	770-275	50
light green	B	1 ⊕ 2 3 4	770-275/073-000	50
pink	B	1 2 3 4 5	770-295	50
pink	B	N ⊕ L I- I+	770-295/080-000	50
pink	B	N ⊕ L - +	770-295/082-000	50

4



Item-Specific Accessories



Lockout cap; for socket; separable; No. of poles: 12

Color	Item Number	PU
black	770-201	100
white	770-221	100

Item-Specific Accessories



Lockout cap; for plug; separable; No. of poles: 5

Color	Item Number	PU
yellow	770-360	100

Accessories; for all products on this page



Color	Item Number	PU (SPU)
black	770-101	100 (25)
white	770-121	100 (25)



Color	Item Number	PU (SPU)
black	770-111	100 (25)
white	770-131	100 (25)



Color	Item Number	PU
black	770-505	25
white	770-515	25

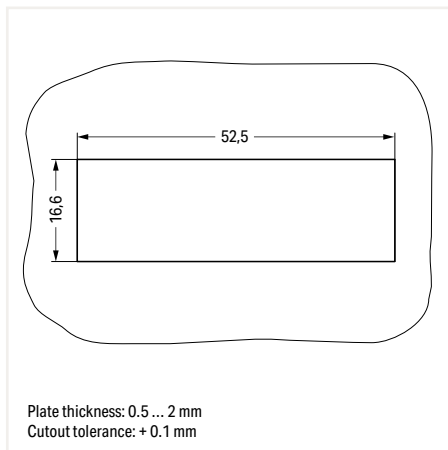
PU = Packaging Unit; SPU = Subpackaging Unit; Dimensions in mm

Other variants can be requested via the WAGO sales department or, if necessary, configured at <https://configurator.wago.com/>:

- Other pole markings

Snap-In Device Connector ▶ WINSTA® MIDI special ▶ Serie 770

No. of poles: 5 ▶ Protection class: IP20



- Protected against mismatching and maintenance-free
- Push-in CAGE CLAMP® spring pressure connection technology allows solid conductors to be simply pushed into a unit
- Two-wire connection per pole for loops or bridges
- Additional variable coding is possible
- Components can be clearly printed on and color-coded to meet custom requirements

Electrical Data

Coding	B		
Ratings per	IEC/EN 60664-1		
Overvoltage category	III	III	II
Pollution degree	3	2	2
Rated voltage	400 V	-	-
Rated impulse voltage	6 kV	-	-
Rated current	25 A	-	-

Connection Data

Connection technology	Push-in CAGE CLAMP®
Strip length	9 mm / 0.35 inch
Nominal cross section	4 mm²
Solid conductor	0.5 ... 4 mm² / 20 ... 12 AWG
Solid conductor, push-in termination	1.5 ... 4 mm² / 16 ... 12 AWG
Stranded conductor	0.5 ... 2.5 mm² / 20 ... 14 AWG
Fine-stranded conductor	0.5 ... 4 mm² / 20 ... 12 AWG
Fine-stranded conductor with ferrule with plastic collar	0.25 ... 1.5 mm² / 20 ... 16 AWG
Fine-stranded conductor with ferrule without plastic collar	0.25 ... 2.5 mm² / 20 ... 14 AWG
Fine-stranded conductor with ferrule, push-in termination, from	1.5 mm² / 16 AWG

Material Data

Insulating material	Polyamide 66 (PA 66)
Clamping spring material	Chrome nickel spring steel (CrNi)
Contact material	Copper or copper alloy; surface-treated

Mechanical Data

Number of mating cycles	200, without resistive load 100, with resistive load $I_N = 25$ A, tested (4 mm²/AWG 12)
Mating force of a plug-in connection	Approx. 20 ... 70 N (depending on pole number)
Unmating force of a plug-in connection	When unlocked: approx. 20 ... 70 N (depending on pole number)
Retention force of a plug-in connection	When locked: > 80 N
Protection class	IP20
Note on protection class	In mated condition: IP2xC (These compact connectors are not designed for use in open, easily accessible areas.)

Environmental Requirements

Processing temperature	-5 ... +40 °C
Continuous operating temperature	-35 ... +85 °C
Note on continuous service temperature	Insulating parts for temperatures ≤ 105 °C

All connectors for mounted installations (snap-in versions for lighting fixtures or devices, all types of PCB and distribution connectors) are factory-equipped with locking levers to ensure plugs and sockets are securely locked. Additional locking levers are only required for flying leads (plug/socket).

Application note for the U.S. market (USR): Some versions may also be used for current interruption in accordance with the UL certificate in select applications with currents below 16 A and voltages up to 600 V. For further information, please contact your local sales office.

All WINSTA® components are 100% protected against mismatching in terms of:

- plugging different number of poles
- plugging when turned by 180°
- plugging when laterally staggered
- plugging one pole

Tools Page 492

Additional information, see "Technical Section"

Approvals and corresponding ratings, visit www.wago.com

Snap-In Device Connector ▶ WINSTA® MIDI special ▶ Serie 770

No. of poles: 5 ▶ Protection class: IP20

Female connector/socket



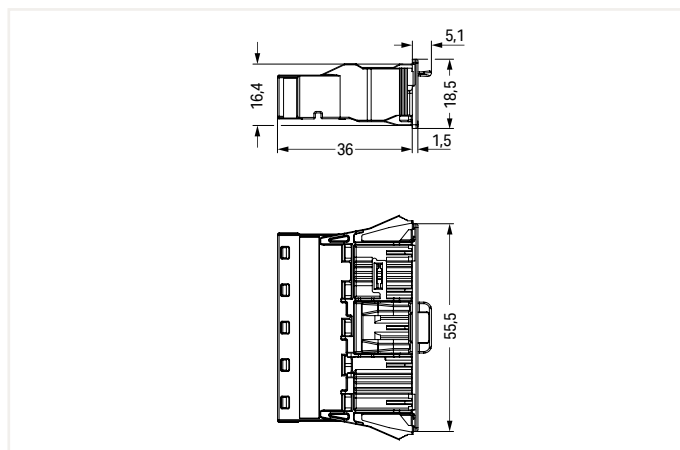
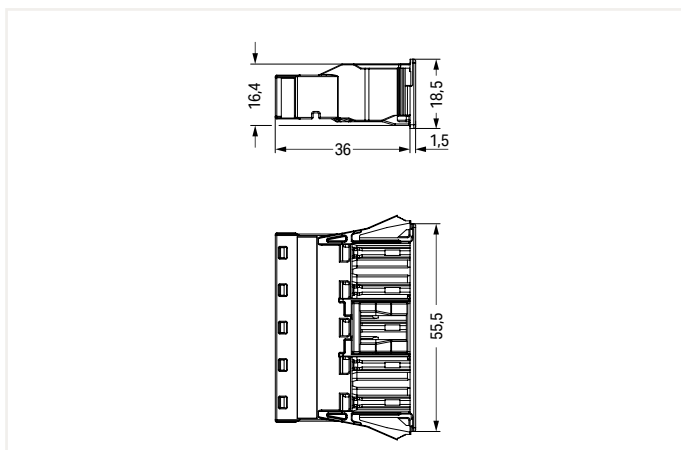
Male connector/plug



Color	Coding	Marking	Item Number	PU
gray	B	1 2 3 4 5	770-745	50
gray	B	N ⊕ L1 L2 L3	770-745/060-000	50
gray	B	N PE 3 2 1	770-745/062-000	50
gray	B	N ⊕ L 2L 1L	770-745/064-000	50
light green	B	1 2 3 4 5	770-765	50
light green	B	1 ⊕ 2 3 4	770-765/073-000	50
pink	B	1 2 3 4 5	770-785	50
pink	B	N ⊕ L I- I+	770-785/080-000	50
pink	B	N ⊕ L - +	770-785/082-000	50

Color	Coding	Marking	Item Number	PU
gray	B	1 2 3 4 5	770-755	50
gray	B	N ⊕ L1 L2 L3	770-755/060-000	50
gray	B	N PE 3 2 1	770-755/062-000	50
gray	B	N ⊕ L 2L 1L	770-755/064-000	50
light green	B	1 2 3 4 5	770-775	50
light green	B	1 ⊕ 2 3 4	770-775/073-000	50
pink	B	1 2 3 4 5	770-795	50
pink	B	N ⊕ L I- I+	770-795/080-000	50
pink	B	N ⊕ L - +	770-795/082-000	50

4



Item-Specific Accessories



Lockout cap; for socket; separable; No. of poles: 12

Color	Item Number	PU
black	770-201	100
white	770-221	100

Item-Specific Accessories



Lockout cap; for plug; separable; No. of poles: 5

Color	Item Number	PU
yellow	770-360	100

Accessories; for all products on this page



Lockout cap; for cutout; No. of poles: 5

Color	Item Number	PU
black	770-645	100
white	770-695	100

PU = Packaging Unit; SPU = Subpackaging Unit; Dimensions in mm

Other variants can be requested via the WAGO sales department or, if necessary, configured at <https://configurator.wago.com/>:

- Other pole markings

Pluggable PCB Connector ▶ WINSTA® MIDI special ▶ Serie 770

No. of poles: 5



- Protected against mismatching and maintenance-free
- Push-in CAGE CLAMP® spring pressure connection technology allows solid conductors to be simply pushed into a unit
- Two-wire connection per pole for loops or bridges
- Additional variable coding is possible
- Components can be clearly printed on and color-coded to meet custom requirements

Electrical Data

Coding	B		
Ratings per	IEC/EN 60664-1		
Overvoltage category	III	III	II
Pollution degree	3	2	2
Rated voltage	400 V	-	-
Rated impulse voltage	6 kV	-	-
Rated current	25 A	-	-

Material Data

Insulating material	Polyamide 66 (PA 66)
Clamping spring material	Chrome nickel spring steel (CrNi)
Contact material	Copper or copper alloy; surface-treated

Mechanical Data

Solder pin arrangement	2 in-line solder pins/pole
Solder pin length	3.5 mm
Solder pin dimensions	1 x 0.8 mm
Drilled hole diameter (tolerance)	1.5 (+0.1 ... +0.1) mm
Number of mating cycles	200, without resistive load 100, with resistive load $I_N = 25$ A, tested (4 mm ² /AWG 12)
Mating force of a plug-in connection	Approx. 20 ... 70 N (depending on pole number)
Unmating force of a plug-in connection	When unlocked: approx. 20 ... 70 N (depending on pole number)
Retention force of a plug-in connection	When locked: > 80 N

Environmental Requirements

Processing temperature	-5 ... +40 °C
Continuous operating temperature	-35 ... +85 °C
Note on continuous service temperature	Insulating parts for temperatures ≤ 105 °C

All connectors for mounted installations (snap-in versions for lighting fixtures or devices, all types of PCB and distribution connectors) are factory-equipped with locking levers to ensure plugs and sockets are securely locked. Additional locking levers are only required for flying leads (plug/socket).

Application note for the U.S. market (USR): Some versions may also be used for current interruption in accordance with the UL certificate in select applications with currents below 16 A and voltages up to 600 V. For further information, please contact your local sales office.

All WINSTA® components are 100% protected against mismatching in terms of:

- plugging different number of poles
- plugging when turned by 180°
- plugging when laterally staggered
- plugging one pole

Coding Page 474

Additional information, see "Technical Section"

Approvals and corresponding ratings, visit www.wago.com

Pluggable PCB Connector ▶ WINSTA® MIDI special ▶ Serie 770

No. of poles: 5

Straight ▶ Female connector/socket

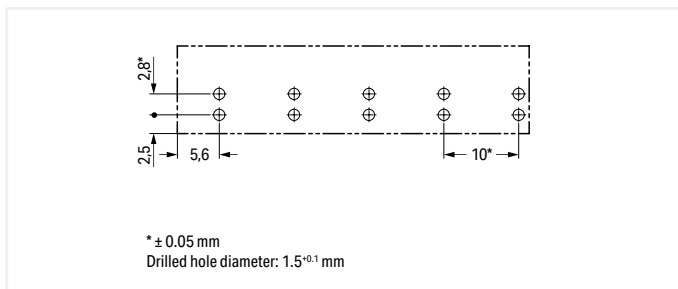
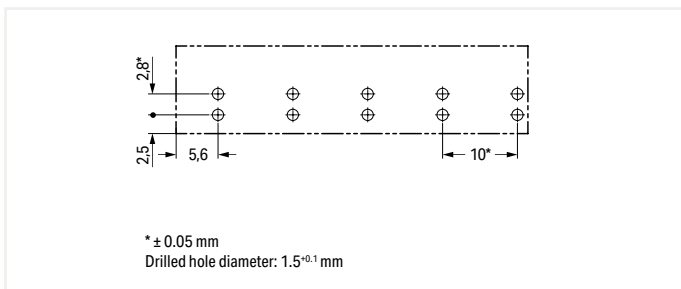
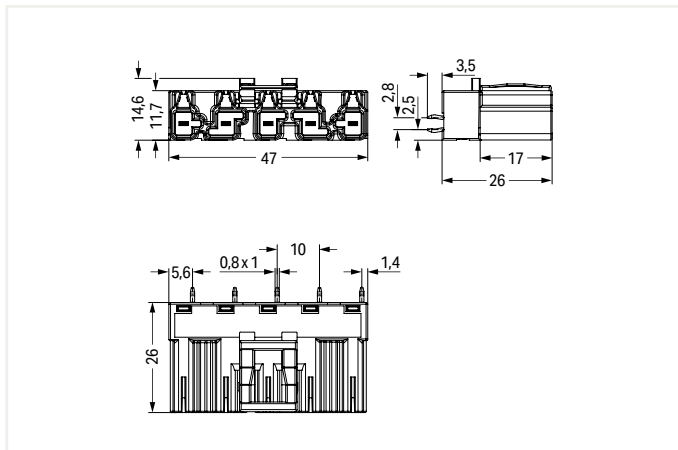
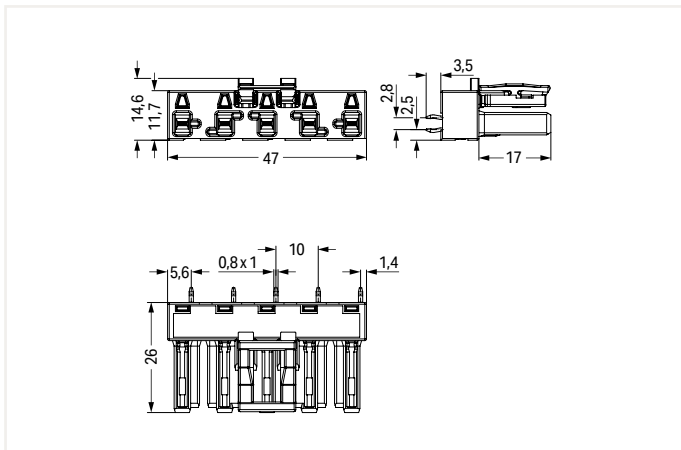
Straight ▶ Male connector/plug



Color	Coding	Marking	Item Number	PU
gray	B	1 2 3 4 5	770-845	50
gray	B	N ⊕ L1 L2 L3	770-845/060-000	50
gray	B	N PE 3 2 1	770-845/062-000	50
gray	B	N ⊕ L 2L 1L	770-845/064-000	50
light green	B	1 2 3 4 5	770-865	50
light green	B	1 ⊕ 2 3 4	770-865/073-000	50
pink	B	1 2 3 4 5	770-885	50
pink	B	N ⊕ L I- I+	770-885/080-000	50
pink	B	N ⊕ L - +	770-885/082-000	50

Color	Coding	Marking	Item Number	PU
gray	B	1 2 3 4 5	770-855	50
gray	B	N ⊕ L1 L2 L3	770-855/060-000	50
gray	B	N PE 3 2 1	770-855/062-000	50
gray	B	N ⊕ L 2L 1L	770-855/064-000	50
light green	B	1 2 3 4 5	770-875	50
light green	B	1 ⊕ 2 3 4	770-875/073-000	50
pink	B	1 2 3 4 5	770-895	50
pink	B	N ⊕ L I- I+	770-895/080-000	50
pink	B	N ⊕ L - +	770-895/082-000	50

4



Item-Specific Accessories

Item-Specific Accessories



Lockout cap; for socket; separable; No. of poles: 12

Color	Item Number	PU
black	770-201	100
white	770-221	100

Lockout cap; for plug; separable; No. of poles: 5

Color	Item Number	PU
yellow	770-360	100

PU = Packaging Unit; SPU = Subpackaging Unit; Dimensions in mm

Other variants can be requested via the WAGO sales department or, if necessary, configured at <https://configurator.wago.com/>:

- Other pole markings

Pluggable PCB Connector ▶ WINSTA® MIDI special ▶ Serie 770

No. of poles: 5

Angled ▶ Female connector/socket

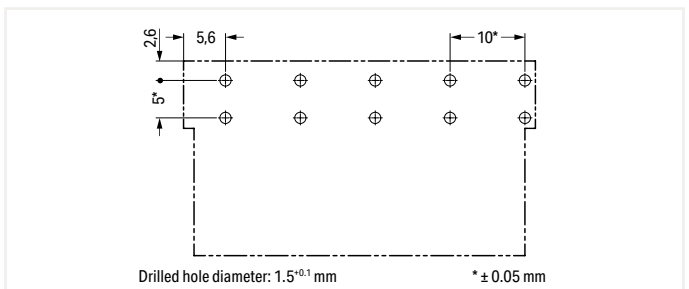
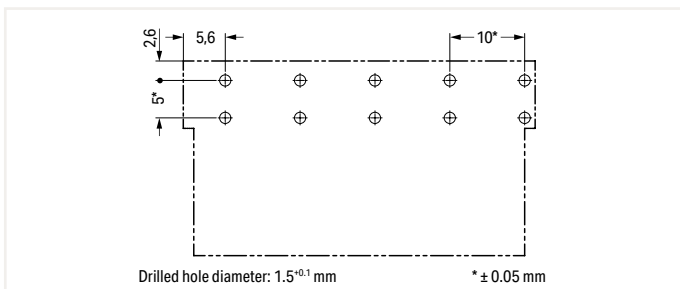
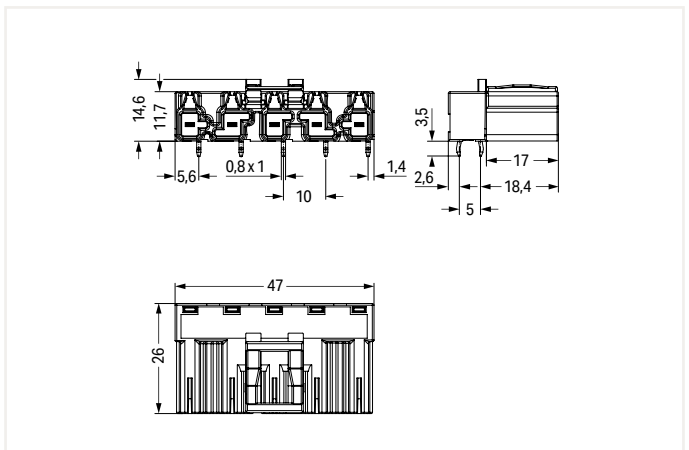
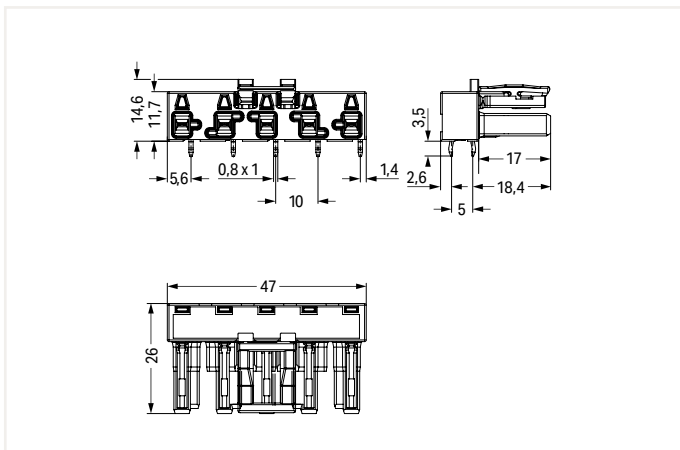
Angled ▶ Male connector/plug



Color	Coding	Marking	Item Number	PU
gray	B	1 2 3 4 5	770-845/011-000	50
gray	B	N ⊕ L1 L2 L3	770-845/011-000/060-000	50
gray	B	N PE 3 2 1	770-845/011-000/062-000	50
gray	B	N ⊕ L 2L 1L	770-845/011-000/064-000	50
light green	B	1 2 3 4 5	770-865/011-000	50
pink	B	1 2 3 4 5	770-885/011-000	50
pink	B	N ⊕ L I- I+	770-885/011-000/080-000	50
pink	B	N ⊕ L - +	770-885/011-000/082-000	50

Color	Coding	Marking	Item Number	PU
gray	B	1 2 3 4 5	770-855/011-000	50
gray	B	N ⊕ L1 L2 L3	770-855/011-000/060-000	50
gray	B	N PE 3 2 1	770-855/011-000/062-000	50
gray	B	N ⊕ L 2L 1L	770-855/011-000/064-000	50
light green	B	1 2 3 4 5	770-875/011-000	50
light green	B	1 ⊕ 2 3 4	770-875/011-000/073-000	50
pink	B	1 2 3 4 5	770-895/011-000	50
pink	B	N ⊕ L I- I+	770-895/011-000/080-000	50
pink	B	N ⊕ L - +	770-895/011-000/082-000	50

4



Item-Specific Accessories



Lockout cap; for socket; separable; No. of poles: 12

Color	Item Number	PU
black	770-201	100
white	770-221	100

Item-Specific Accessories



Lockout cap; for plug; separable; No. of poles: 5

Color	Item Number	PU
yellow	770-360	100

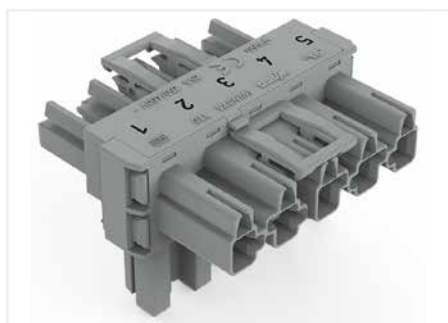
PU = Packaging Unit; SPU = Subpackaging Unit; Dimensions in mm

Other variants can be requested via the WAGO sales department or, if necessary, configured at <https://configurator.wago.com/>:

- Other pole markings

Distribution Connector ▶ WINSTA® MIDI special ▶ Serie 770

No. of poles: 5



- Protected against mismatching and maintenance-free
- Additional variable coding is possible
- Components can be clearly printed on and color-coded to meet custom requirements

Electrical Data			
Coding	B		
Ratings per	IEC/EN 60664-1		
Overvoltage category	III	III	II
Pollution degree	3	2	2
Rated voltage	400 V	-	-
Rated impulse voltage	6 kV	-	-
Rated current	25 A	-	-

Material Data	
Insulating material	Polyamide 66 (PA 66)
Contact material	Copper or copper alloy; surface-treated

Mechanical Data	
Number of mating cycles	200, without resistive load 100, with resistive load $I_N = 25$ A, tested (4 mm ² /AWG 12)
Mating force of a plug-in connection	approx. 20 ... 70 N (depending on pole number)
Unmating force of a plug-in connection	when unlocked: approx. 20 ... 70 N (depending on pole number)
Retention force of a plug-in connection	When locked: > 80 N
Protection class	IP20
Note on protection class	In mated condition: IP2xC (These compact connectors are not designed for use in open, easily accessible areas.)

Environmental Requirements	
Processing temperature	-5 ... +40 °C
Continuous operating temperature	-35 ... +85 °C
Note on continuous service temperature	Insulating parts for temperatures ≤ 105 °C

All connectors for mounted installations (snap-in versions for lighting fixtures or devices, all types of PCB and distribution connectors) are factory-equipped with locking levers to ensure plugs and sockets are securely locked. Additional locking levers are only required for flying leads (plug/socket).

Application note for the U.S. market (USR): Some versions may also be used for current interruption in accordance with the UL certificate in select applications with currents below 16 A and voltages up to 600 V. For further information, please contact your local sales office.

All WINSTA® components are 100% protected against mismatching in terms of:

- plugging different number of poles
- plugging when turned by 180°
- plugging when laterally staggered
- plugging one pole

Additional information, see "Technical Section"

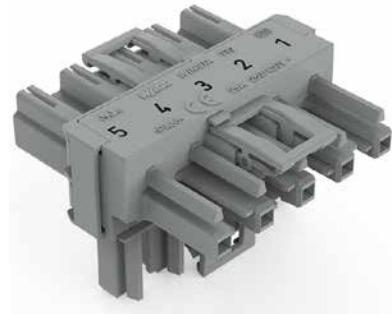
Approvals and corresponding ratings, visit www.wago.com

Distribution Connector ▶ WINSTA® MIDI special ▶ Serie 770

No. of poles: 5

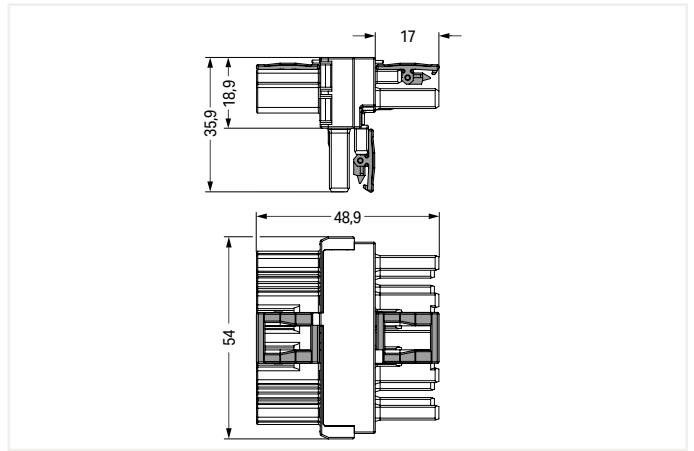
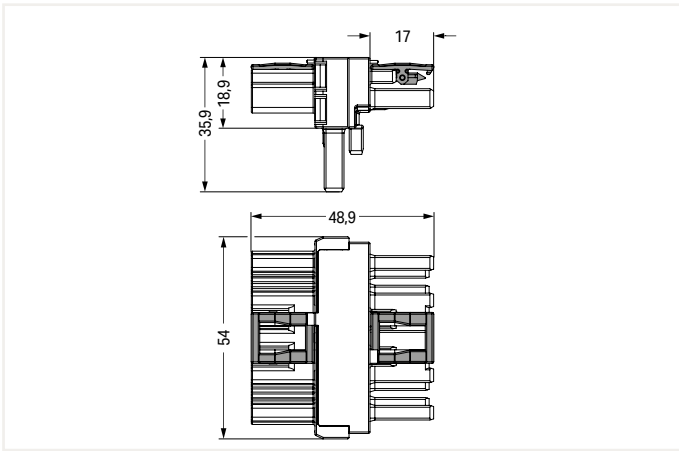
T-distribution connector ▶ Number of locking levers: 2

T-distribution connector ▶ Number of locking levers: 3 ▶ for flying leads



Color	Coding	Marking	Item Number	PU
gray	B	1 2 3 4 5	770-1641	50
light green	B	1 2 3 4 5	770-1642	50
pink	B	1 2 3 4 5	770-1643	50

Color	Coding	Marking	Item Number	PU
gray	B	1 2 3 4 5	770-1741	50
light green	B	1 2 3 4 5	770-1742	50
pink	B	1 2 3 4 5	770-1743	50



4

Accessories; for all products on this page



Lockout cap; for socket; separable; No. of poles: 12		
Color	Item Number	PU
● black	770-201	100
○ white	770-221	100

Lockout cap; for plug; separable; No. of poles: 5		
Color	Item Number	PU
● yellow	770-360	100

PU = Packaging Unit; SPU = Subpackaging Unit; Dimensions in mm

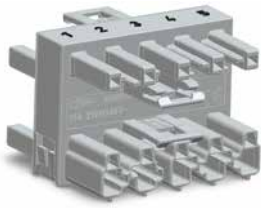
Other variants can be requested via the WAGO sales department or, if necessary, configured at <https://configurator.wago.com/>:

- Other pole markings

Distribution Connector ▶ WINSTA® MIDI special ▶ Serie 770

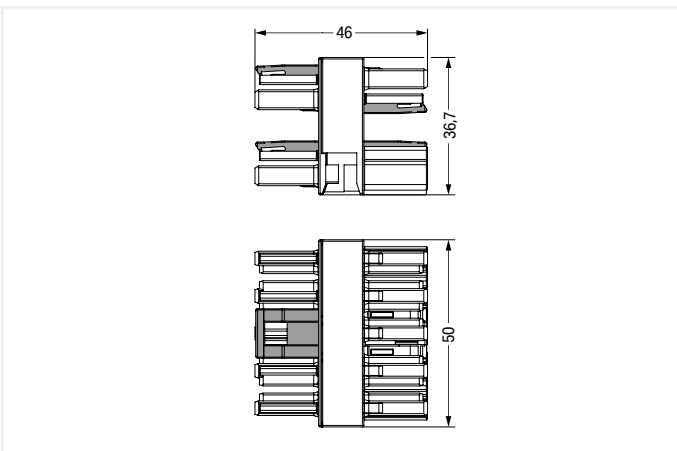
No. of poles: 5

Distribution connector, 3-way



Color	Coding	Marking	Item Number	PU
gray	B	1 2 3 4 5	770-1744	25
light green	B	1 2 3 4 5	770-1745	25
pink	B	1 2 3 4 5	770-1746	25

4



Accessories; for all products on this page



Lockout cap; for socket; separable; No. of poles: 12		
Color	Item Number	PU
● black	770-201	100
○ white	770-221	100



Lockout cap; for plug; separable; No. of poles: 5		
Color	Item Number	PU
● yellow	770-360	100



Mounting plate; for distribution connector (except T-distribution connector); 5-pole		
Color	Item Number	PU
● black	770-625	25
○ white	770-675	25

PU = Packaging Unit; SPU = Subpackaging Unit; Dimensions in mm

Other variants can be requested via the WAGO sales department or, if necessary, configured at <https://configurator.wago.com/>:

- Other pole markings

Cable Assembly ▶ WINSTA® MIDI special ▶ Serie 771

No. of poles: 5 ▶ Protection class: IP20 ▶ Coding: B ▶ Marking: 1 2 3 4 5 ▶ PVC ▶ Reaction to fire class per EN 50575: E_{ca}



- Protected against mismatching and maintenance-free
- Additional variable coding is possible
- Components can be clearly printed on and color-coded to meet custom requirements

Electrical Data						
Coding	B			B		
Cross section of single conductor	1 mm ²			1.5 mm ²		
Ratings per	IEC/EN 60664-1			IEC/EN 60664-1		
Overvoltage category	III	III	II	III	III	II
Pollution degree	3	2	2	3	2	2
Rated voltage	400 V	-	-	400 V	-	-
Rated impulse voltage	6 kV	-	-	6 kV	-	-
Rated current	10 A	-	-	16 A	-	-

Material Data	
Insulating material	Polyamide 66 (PA 66)
Contact material	Copper or copper alloy; surface-treated
Reaction to fire class per EN 50575	E _{ca}

Mechanical Data	
Number of mating cycles	200, without resistive load 100, with resistive load I _N = 25 A, tested (4 mm ² /AWG 12)
Mating force of a plug-in connection	approx. 20 ... 70 N (depending on pole number)
Unmating force of a plug-in connection	when unlocked: approx. 20 ... 70 N (depending on pole number)
Retention force of a plug-in connection	when locked: > 80N
Protection class	IP20
Note on protection class	In mated condition: IP2xC (These compact connectors are not designed for use in open, easily accessible areas.)

Environmental Requirements	
Processing temperature	-5 ... +40 °C
Continuous operating temperature	-35 ... +85 °C
Note on continuous service temperature	PVC cable for temperatures ≤ 70 °C (including halogen-free) Insulating parts for temperatures ≤ 105 °C

Cables with different fire load are available in the eShop

Application note for the U.S. market (USR): Some versions may also be used for current interruption in accordance with the UL certificate in select applications with currents below 16 A and voltages up to 600 V. For further information, please contact your local sales office.

All WINSTA® components are 100% protected against mismatching in terms of:

- plugging different number of poles
- plugging when turned by 180°
- plugging when laterally staggered
- plugging one pole

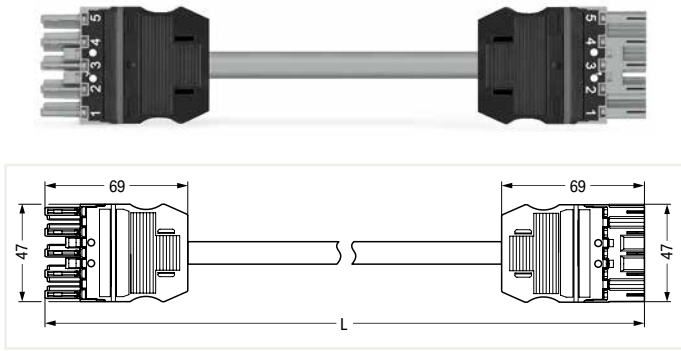
Marking Page 499

Additional information, see "Technical Section"

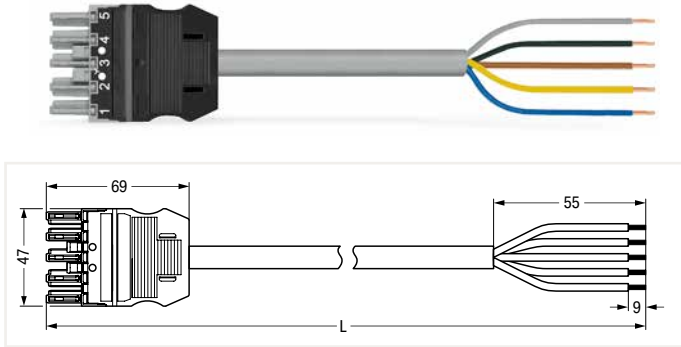
Approvals and corresponding ratings, visit www.wago.com

Cable Assembly ▶ WINSTA® MIDI special ▶ Serie 771

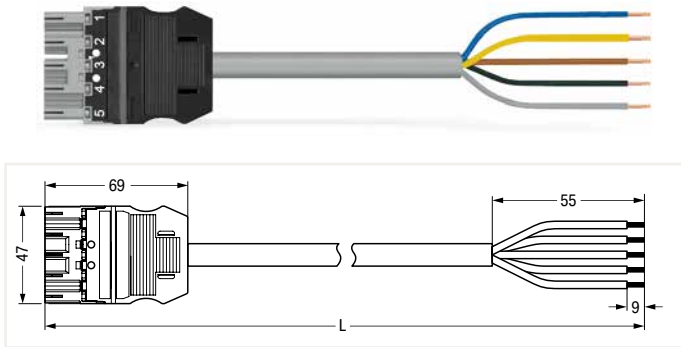
No. of poles: 5 ▶ Protection class: IP20 ▶ Coding: B ▶ Marking: 1 2 3 4 5 ▶ PVC ▶ Reaction to fire class per EN 50575: E_{ca} ▶ 1 mm² ▶ Cable diameter: 7.8 ... 9.3 mm ▶ Control line 5 x 1



Total length	Connector color / Strain relief color			PU
	gray / black	light green / black	pink / black	
1 m	771-9995/005-103	771-9995/005-105	771-9995/005-107	1
2 m	771-9995/005-203	771-9995/005-205	771-9995/005-207	1
3 m	771-9995/005-303	771-9995/005-305	771-9995/005-307	1
4 m	771-9995/005-403	771-9995/005-405	771-9995/005-407	1
5 m	771-9995/005-503	771-9995/005-505	771-9995/005-507	1
6 m	771-9995/005-603	771-9995/005-605	771-9995/005-607	1
7 m	771-9995/005-703	771-9995/005-705	771-9995/005-707	1
8 m	771-9995/005-803	771-9995/005-805	771-9995/005-807	1



Total length	Connector color / Strain relief color			PU
	gray / black	light green / black	pink / black	
1 m	771-9995/105-103	771-9995/105-105	771-9995/105-107	1
2 m	771-9995/105-203	771-9995/105-205	771-9995/105-207	1
3 m	771-9995/105-303	771-9995/105-305	771-9995/105-307	1
4 m	771-9995/105-403	771-9995/105-405	771-9995/105-407	1
5 m	771-9995/105-503	771-9995/105-505	771-9995/105-507	1
6 m	771-9995/105-603	771-9995/105-605	771-9995/105-607	1
7 m	771-9995/105-703	771-9995/105-705	771-9995/105-707	1
8 m	771-9995/105-803	771-9995/105-805	771-9995/105-807	1



Total length	Connector color / Strain relief color			PU
	gray / black	light green / black	pink / black	
1 m	771-9995/205-103	771-9995/205-105	771-9995/205-107	1
2 m	771-9995/205-203	771-9995/205-205	771-9995/205-207	1
3 m	771-9995/205-303	771-9995/205-305	771-9995/205-307	1
4 m	771-9995/205-403	771-9995/205-405	771-9995/205-407	1
5 m	771-9995/205-503	771-9995/205-505	771-9995/205-507	1
6 m	771-9995/205-603	771-9995/205-605	771-9995/205-607	1
7 m	771-9995/205-703	771-9995/205-705	771-9995/205-707	1
8 m	771-9995/205-803	771-9995/205-805	771-9995/205-807	1

4

Accessories; for all products on this page



Locking lever; for flying leads; manually operated		
Color	Item Number	PU (SPU)
● black	770-101	100 (25)
○ white	770-121	100 (25)

Locking lever; for flying leads; tool operated		
Color	Item Number	PU (SPU)
● black	770-111	100 (25)
○ white	770-131	100 (25)

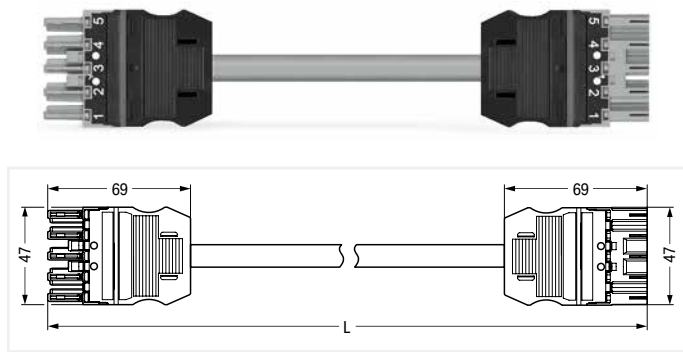
PU = Packaging Unit; SPU = Subpackaging Unit; Dimensions in mm

Other variants can be requested via the WAGO sales department or, if necessary, configured at <https://configurator.wago.com/>:

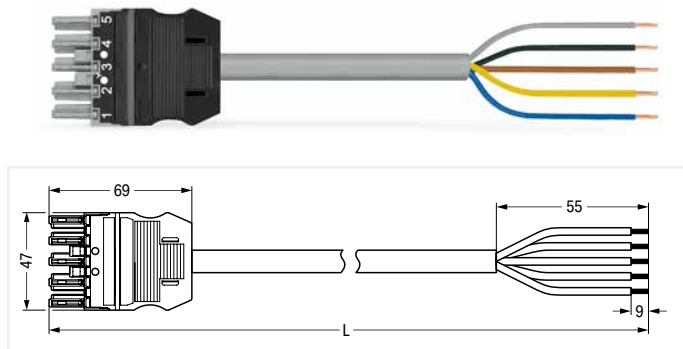
- Other pole markings

Cable Assembly ▶ WINSTA® MIDI special ▶ Serie 771

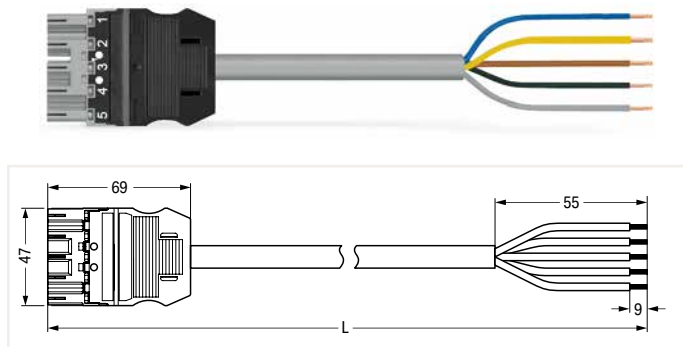
No. of poles: 5 ▶ Protection class: IP20 ▶ Coding: B ▶ Marking: 1 2 3 4 5 ▶ PVC ▶ Reaction to fire class per EN 50575: E_{ca} ▶ 1.5 mm² ▶ Cable diameter: 9.3 ... 11.6 mm ▶ Control line 5 x 1.5



Total length	Connector color / Strain relief color			PU
	gray / black	light green / black	pink / black	
1 m	771-9995/006-103	771-9995/006-105	771-9995/006-107	1
2 m	771-9995/006-203	771-9995/006-205	771-9995/006-207	1
3 m	771-9995/006-303	771-9995/006-305	771-9995/006-307	1
4 m	771-9995/006-403	771-9995/006-405	771-9995/006-407	1
5 m	771-9995/006-503	771-9995/006-505	771-9995/006-507	1
6 m	771-9995/006-603	771-9995/006-605	771-9995/006-607	1
7 m	771-9995/006-703	771-9995/006-705	771-9995/006-707	1
8 m	771-9995/006-803	771-9995/006-805	771-9995/006-807	1



Total length	Connector color / Strain relief color			PU
	gray / black	light green / black	pink / black	
1 m	771-9995/106-103	771-9995/106-105	771-9995/106-107	1
2 m	771-9995/106-203	771-9995/106-205	771-9995/106-207	1
3 m	771-9995/106-303	771-9995/106-305	771-9995/106-307	1
4 m	771-9995/106-403	771-9995/106-405	771-9995/106-407	1
5 m	771-9995/106-503	771-9995/106-505	771-9995/106-507	1
6 m	771-9995/106-603	771-9995/106-605	771-9995/106-607	1
7 m	771-9995/106-703	771-9995/106-705	771-9995/106-707	1
8 m	771-9995/106-803	771-9995/106-805	771-9995/106-807	1



Total length	Connector color / Strain relief color			PU
	gray / black	light green / black	pink / black	
1 m	771-9995/206-103	771-9995/206-105	771-9995/206-107	1
2 m	771-9995/206-203	771-9995/206-205	771-9995/206-207	1
3 m	771-9995/206-303	771-9995/206-305	771-9995/206-307	1
4 m	771-9995/206-403	771-9995/206-405	771-9995/206-407	1
5 m	771-9995/206-503	771-9995/206-505	771-9995/206-507	1
6 m	771-9995/206-603	771-9995/206-605	771-9995/206-607	1
7 m	771-9995/206-703	771-9995/206-705	771-9995/206-707	1
8 m	771-9995/206-803	771-9995/206-805	771-9995/206-807	1

Accessories; for all products on this page



Locking lever; for flying leads; manually operated		
Color	Item Number	PU (SPU)
● black	770-101	100 (25)
○ white	770-121	100 (25)

Locking lever; for flying leads; tool operated		
Color	Item Number	PU (SPU)
● black	770-111	100 (25)
○ white	770-131	100 (25)

PU = Packaging Unit; SPU = Subpackaging Unit; Dimensions in mm

Other variants can be requested via the WAGO sales department or, if necessary, configured at <https://configurator.wago.com/>:

- Other pole markings

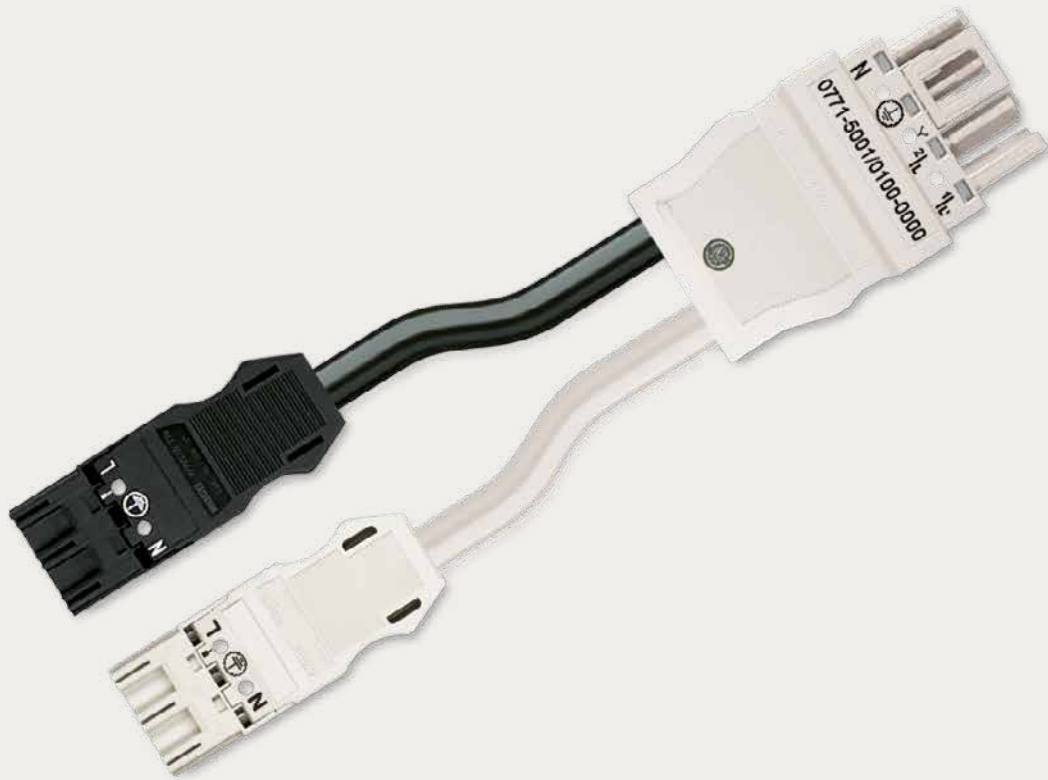
Sold & Serviced By:



Toll Free Phone (877) SERV098

www.electromate.com

sales@electromate.com







WAGO Pluggable Connection System *WINSTA*[®] – Specialty Cable Assemblies

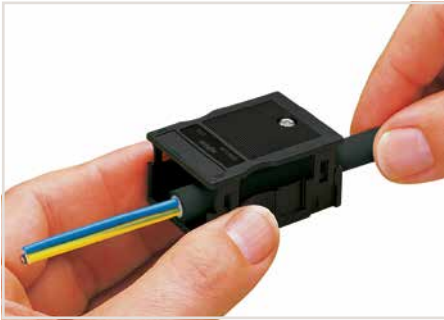
WAGO Pluggable Connection System WINSTA®

Specialty Cable Assemblies ▶ 771 Series

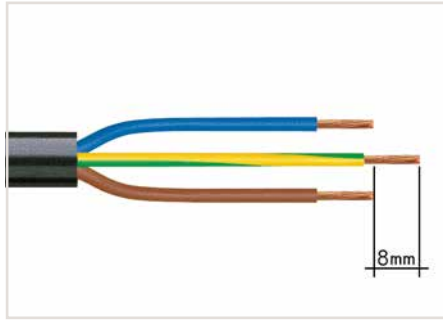
2.5 mm² / 20 A

		Page
	771 Series	
	Plug – Lamp Socket	368
	Plug – Cold Equipment Socket	368
	Socket – SCHUKO® Plug	369
	Plug – SCHUKO® Socket	369
	771 Series	
	Connecting Cable for Distribution Connectors Y-Cable	370 371
	771 Series Adapter Cable for DALI	372
	771 Series Y-Cable for DALI	373

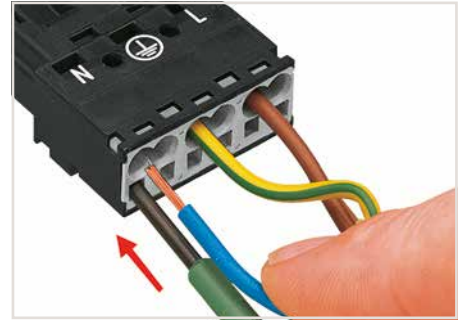
WINSTA® MIDI ▶ 770, 771 Series Installation



We recommend pulling the pre-latched strain relief housing over the cable prior to termination. However, the strain relief can be mounted at a later time as well.

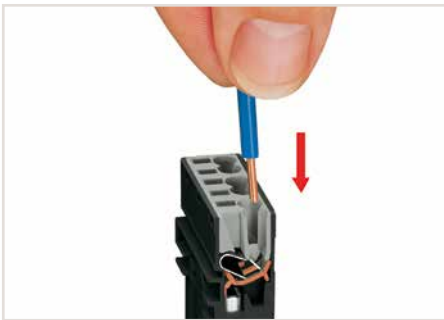


1. Strip length, outer insulation = x mm ❶
2. Strip length = 9 mm
3. Extended ground conductor = 8 mm

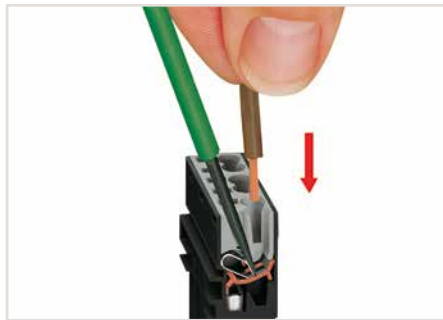


To terminate fine-stranded conductors, open the clamping unit via screwdriver (2.5 mm blade width) and insert a stripped conductor until it hits backstop.

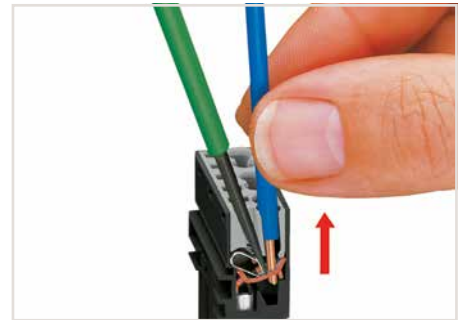
5



Insert the stripped solid conductor until it hits backstop.



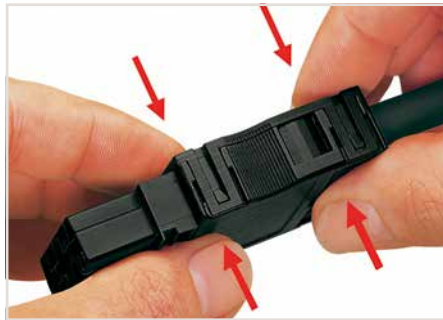
To terminate fine-stranded conductors, open the clamping unit via screwdriver (2.5 mm blade width) and insert a stripped conductor until it hits backstop.



To remove the conductor, actuate the clamp via screwdriver (2.5 mm blade width) and pull out the conductor.



Latch the strain relief housing on the plug/socket. Note the "TOP" inscription.



Prepare strain relief housing by snapping together upper and bottom part.



Tighten strain relief screw via screwdriver (2.5 mm blade width).



Simply cut off the coding pin from the socket.



Insert coding pin into plug (break first) until it engages.



Marking strain relief housing via WSB Quick Marking System.

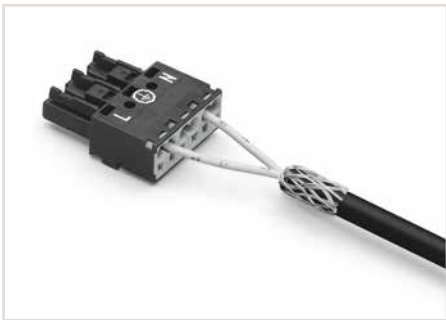
❶ Strip length, outer insulation: 2-pole = 35 mm, 3- to 5-pole = 55 mm



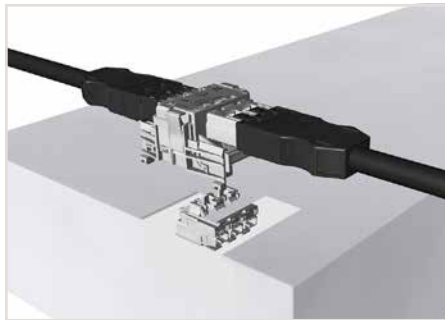
Connector with shield termination



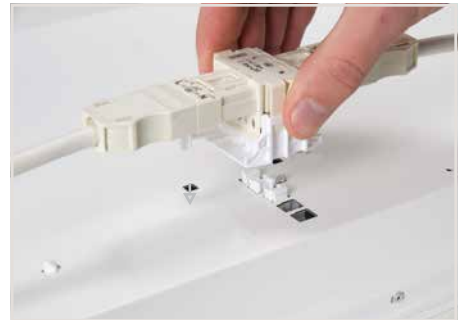
the light connection system



Apply the shield to the rubber cable.
Strip length, outer insulation = 55 mm
Shield length = 10 mm



Connecting a T-connector to a 294 Series lighting connector.

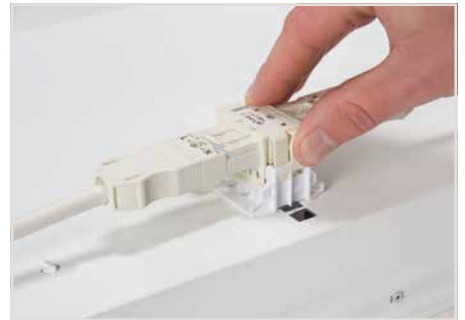
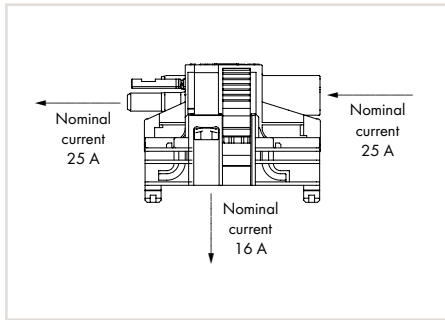


Align the T-connector with the square cutouts.

5



Push the shield connecting plate into the connector until fully inserted.



Move the T-connector toward the square cutouts until it is locked in position.



First insert the wired connector into strain relief housing, then snap cover and tighten screw.



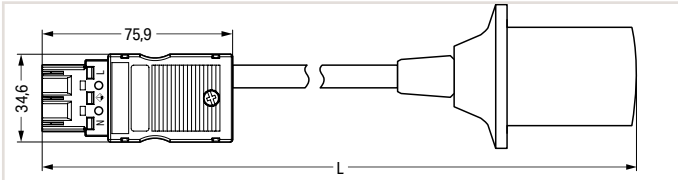
Push down until fully engaged – done!

Cable Assembly ▶ WINSTA® MIDI ▶ 771 Series

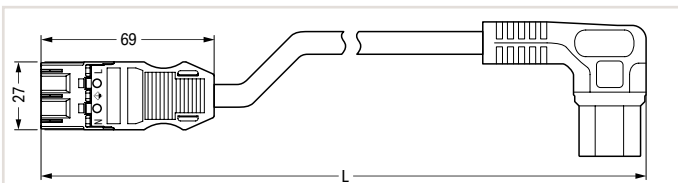
No. of poles: 3 ▶ A-coding ▶ PVC ▶ Reaction to fire class per EN 50575: E_{ca}



Adapter cable ▶ plug – E 27 lamp socket ▶ 0.75 mm ²			
Length	Connector color/Strain relief color		PU
	black/black		
0.5 m	771-8993/1004-051		1



Interconnecting cable ▶ plug – cold equipment socket ▶ angled ▶ 1 mm ²			
Length	Connector color/Strain relief color		PU
	black/black	white/white	
1 m	771-9993/805-101	771-9993/805-102	1
2 m	771-9993/805-201	771-9993/805-202	1
3 m	771-9993/805-301	771-9993/805-302	1



5

Coding	Page 474
Cover	Page 474
Marking	Page 499
Additional information, see "Technical Section"	
Approvals and corresponding ratings, visit www.wago.com	

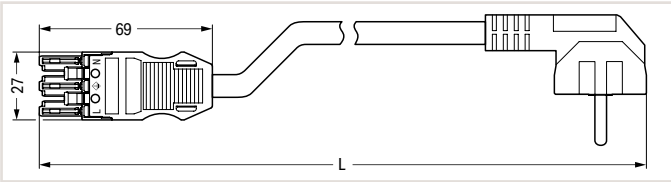
PU = Packaging Unit; SPU = Subpackaging Unit; Dimensions in mm

Cable Assembly ▶ WINSTA® MIDI ▶ 771 Series

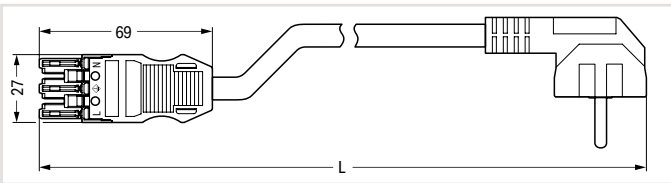
No. of poles: 3 ▶ A-coding ▶ PVC ▶ Reaction to fire class per EN 50575: E_{ca}



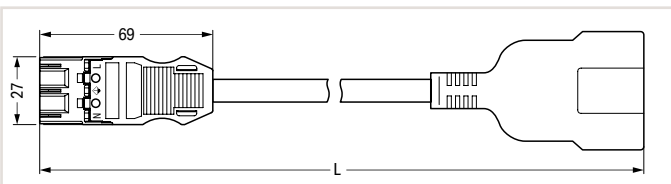
Interconnecting cable ▶ socket – SCHUKO® plug ▶ angled ▶ 1.5 mm ²			
Length	Connector color/Strain relief color		PU
	black/black	white/white	
1 m	771-9993/306-101	771-9993/306-102	1
2 m	771-9993/306-201	771-9993/306-202	1
3 m	771-9993/306-301	771-9993/306-302	1



Interconnecting cable ▶ socket – SCHUKO® plug ▶ angled ▶ 2.5 mm ²			
Length	Connector color/Strain relief color		PU
	black/black	white/white	
1 m	771-9993/307-101	771-9993/307-102	1
2 m	771-9993/307-201	771-9993/307-202	1
3 m	771-9993/307-301	771-9993/307-302	1



Interconnecting cable ▶ plug – SCHUKO® socket ▶ 1.5 mm ²			
Length	Connector color/Strain relief color		PU
	black/black	white/white	
1 m	771-9993/406-101	771-9993/406-102	1
2 m	771-9993/406-201	771-9993/406-202	1
3 m	771-9993/406-301	771-9993/406-302	1

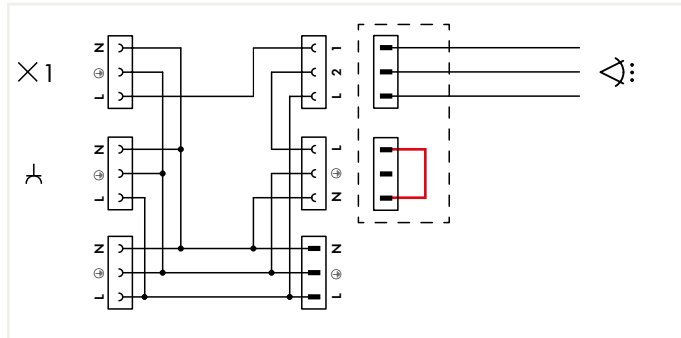
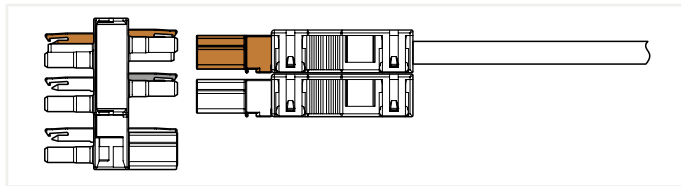
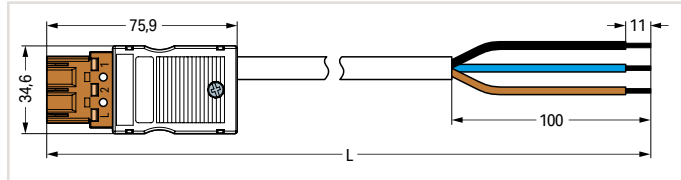


5

PU = Packaging Unit; SPU = Subpackaging Unit; Dimensions in mm

Cable Assembly ▶ WINSTA® MIDI ▶ 771 Series

No. of poles: 3 ▶ 1.5 mm² ▶ A+S-coding ▶ Reaction to fire class per EN 50575: E_{ca}



This cable combines a standard S-coded cable with an A-coded shorting plug. Both strain relief housings are locked together.
A motion detector or switch with signal lamp can be directly connected using a cable equipped with 770-637 Distribution Connector.

Connecting cable ▶ plug/plug – free end ▶ PVC			
Length	Connector color/Strain relief color		PU
	black/black		
3 m	771-5001/106-000		1
4 m	771-5001/107-000		1

Connecting cable ▶ plug/plug – free end ▶ halogen-free			
Length	Connector color/Strain relief color		PU
	black/black		
3 m	771-5001/131-000		1
4 m	771-5001/132-000		1

5

Coding	Page 474
Cover	Page 474
Marking	Page 499
Additional information, see "Technical Section"	
Approvals and corresponding ratings, visit www.wago.com	

PU = Packaging Unit; SPU = Subpackaging Unit; Dimensions in mm

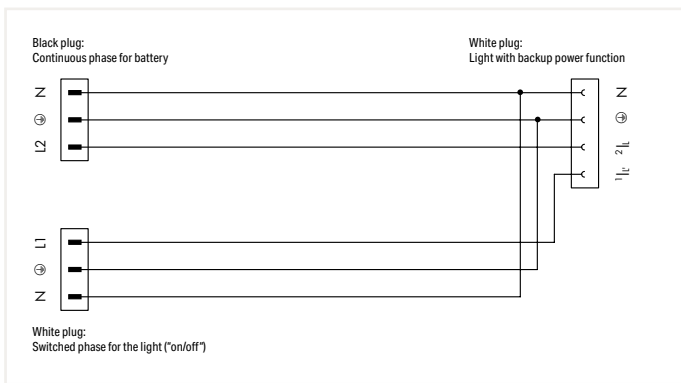
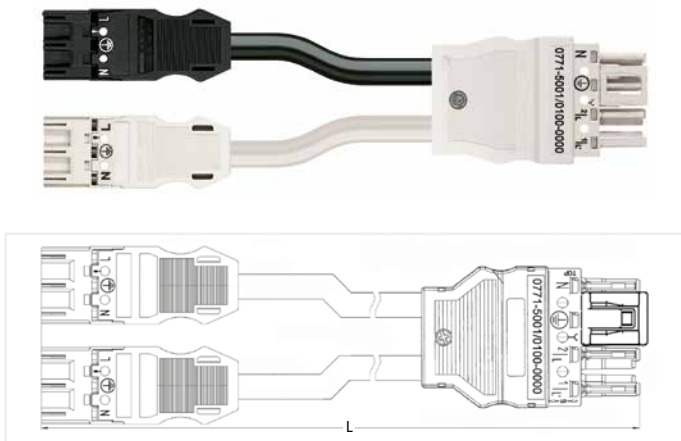
Sold & Serviced By:



Toll Free Phone (877) SERV098
www.electromate.com
sales@electromate.com

Cable Assembly ▶ WINSTA® MIDI ▶ 771 Series

No. of poles: 3 + 4 ▶ 1.5 mm² ▶ A-coding ▶ Reaction to fire class per EN 50575: E_{ca}



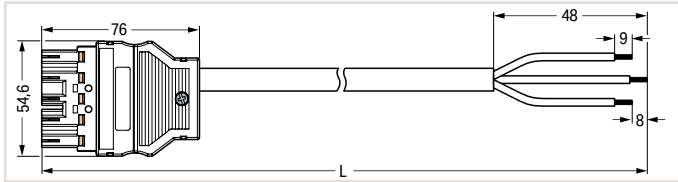
This cable connects lights with backup power function (battery pack). The black 3-pole plug connects the continuous phase for the battery, while the white 3-pole plug connects the switched phase for the light ("on/off").
The white 4-pole socket can be directly plugged into the light.

Y-cable ▶ PVC				
Length	Connector color/Strain relief color			PU
		black/black		
0.6 m	771-5001/100-000			1

Y-cable ▶ halogen-free				
Length	Connector color/Strain relief color			PU
		black/black		
0.6 m	771-5001/110-000			1

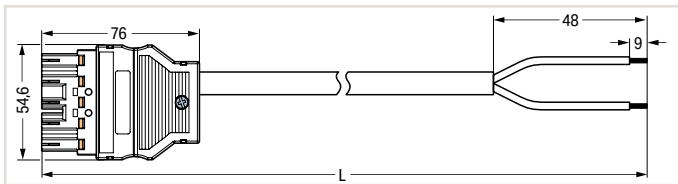
Cable Assembly ▶ WINSTA® MIDI ▶ 771 Series

No. of poles: 5 ▶ I-coding ▶ Reaction to fire class per EN 50575: E_{ca}



Adapter cable ▶ plug – free end ▶ 1.5 mm ² ▶ H05VV-F 3G1.5 ▶ PVC			
Length	Connector color/Strain relief color		PU
	blue/black		
1 m	771-5001/148-000		1
2 m	771-5001/149-000		1
3 m	771-5001/150-000		1
4 m	771-5001/151-000		1
5 m	771-5001/152-000		1
6 m	771-5001/153-000		1
7 m	771-5001/154-000		1
8 m	771-5001/155-000		1

Adapter cable ▶ plug – free end ▶ 1.5 mm ² ▶ H05Z1Z1-F 3G1.5 ▶ halogen-free			
Length	Connector color/Strain relief color		PU
	blue/black		
1 m	771-5001/156-000		1
2 m	771-5001/157-000		1
3 m	771-5001/158-000		1
4 m	771-5001/159-000		1
5 m	771-5001/160-000		1
6 m	771-5001/161-000		1
7 m	771-5001/162-000		1
8 m	771-5001/163-000		1



Adapter cable ▶ plug – free end ▶ 1.5 mm ² ▶ H05VV-F 2x1.5 ▶ PVC			
Length	Connector color/Strain relief color		PU
	blue/black		
1 m	771-5001/164-000		1
2 m	771-5001/165-000		1
3 m	771-5001/166-000		1
4 m	771-5001/167-000		1
5 m	771-5001/168-000		1
6 m	771-5001/169-000		1
7 m	771-5001/170-000		1
8 m	771-5001/171-000		1

Adapter cable ▶ plug – free end ▶ 1.5 mm ² ▶ H05Z1Z1-F 2x1.5 ▶ halogen-free			
Length	Connector color/Strain relief color		PU
	blue/black		
1 m	771-5001/172-000		1
2 m	771-5001/173-000		1
3 m	771-5001/174-000		1
4 m	771-5001/175-000		1
5 m	771-5001/176-000		1
6 m	771-5001/177-000		1
7 m	771-5001/178-000		1
8 m	771-5001/179-000		1

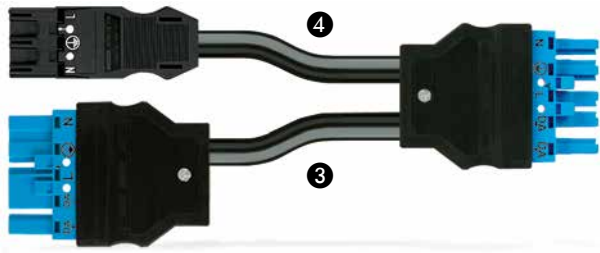
Coding	Page 474
Cover	Page 474
Marking	Page 499
Additional information, see "Technical Section"	
Approvals and corresponding ratings, visit www.wago.com	

PU = Packaging Unit; SPU = Subpackaging Unit; Dimensions in mm

5

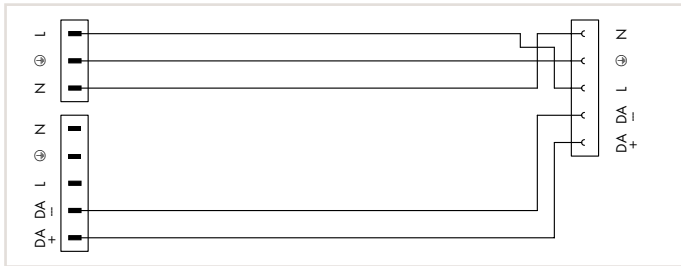
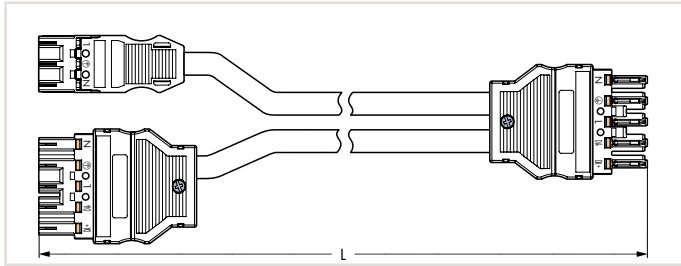
Cable Assembly ▶ WINSTA® MIDI ▶ 771 Series

1.5 mm² ③; 2.5 mm² ④ ▶ A+I-Coding ▶ Reaction to fire class per EN 50575: E_{ca}



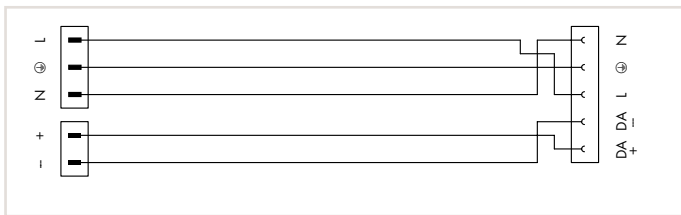
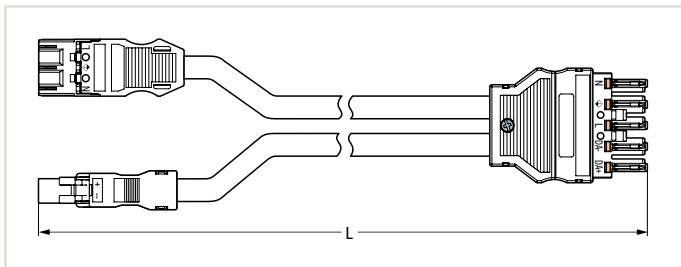
Y-cable ▶ No. of poles: 3 + 5 ▶ DALI mains center supply ▶ PVC ▶ H05VV-F 2x1.5; H05VV-F 3G2.5				
Length	Connector color/Strain relief color			PU
	black/black			
0.5 m	771-5001/180-000			1

Y-cable ▶ No. of poles: 3 + 5 ▶ DALI mains center supply ▶ halogen-free ▶ H05Z1Z1-F 2x1.5; H05Z1Z1-F 3G2.5				
Length	Connector color/Strain relief color			PU
	black/black			
0.5 m	771-5001/181-000			1



Y-cable ▶ No. of poles: 2 + 5 ▶ mains supply + DALI ▶ PVC ▶ H05VV-F 2x1.5; H05VV-F 3G2.5				
Length	Connector color/Strain relief color			PU
	black/black			
0.5 m	771-5001/182-000			1

Y-cable ▶ No. of poles: 2 + 5 ▶ mains supply + DALI ▶ halogen-free ▶ H05Z1Z1-F 2x1.5; H05Z1Z1-F 3G2.5				
Length	Connector color/Strain relief color			PU
	black/black			
0.5 m	771-5001/183-000			1



5

PU = Packaging Unit; SPU = Subpackaging Unit; Dimensions in mm



WAGO Pluggable Connection System *WINSTA*® MAXI

WAGO Pluggable Connection System WINSTA® MAXI ▶ 831 Series

6 mm² / 35 A

- Note:
- Installation connectors are designed for connection and disconnection while not under load.
 - There is no hazard-inducing interchangeability with systems based on IEC 60309, IEC 60320, IEC 60906 and with national connector and socket systems.
 - Compliance with the standards (IEC 61535) does not guarantee hazard-preventing, non-interchangeability with installation connector systems from various manufacturers.
 - Installation connector systems are not a substitute for residential connector/socket systems.
 - WINSTA® MAXI Connectors are not intended for installation in open or easily accessible areas.

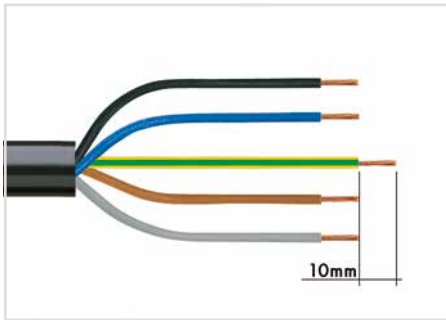


Pluggable Connectors; 831 Series
5-pole

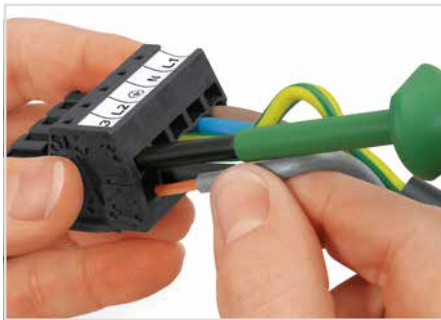
Page

378

WINSTA® MINI ▶ 890, 891 Series Description and Installation



The following lengths are recommended:
 1. Strip length, outer insulation = 80 mm
 2. Strip length = 13 mm
 3. Extended ground conductor = 10 mm



To terminate fine-stranded conductors, open the clamping unit via screwdriver (5.5 mm blade width) and insert a stripped conductor until it hits backstop.



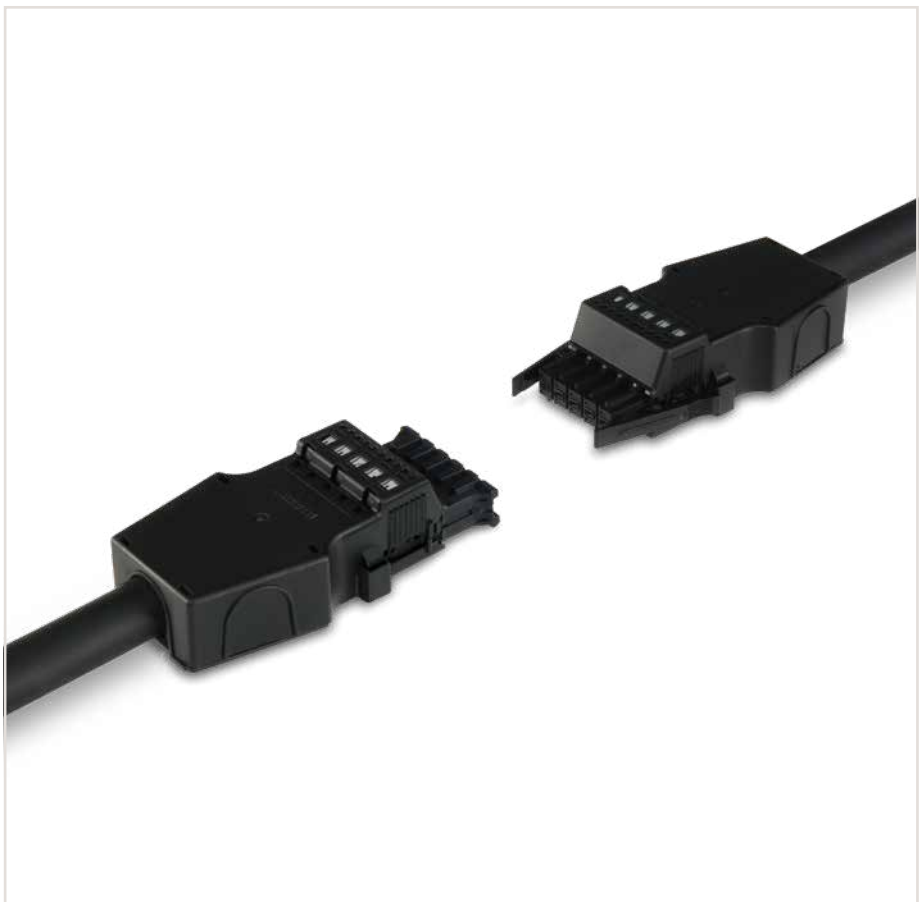
The printed marking of the connector is clearly visible in the openings of the strain relief housing.



Unscrew base of strain relief housing.



Snap wired connector onto the base.



Tighten strain relief using a screwdriver.



Wired connector fitted in base of strain relief housing.



Latch the top of the strain relief housing.

6

6

Pluggable Connector ▶ WINSTA® MAXI ▶ Serie 831

No. of poles: 5



- Protected against mismatching and maintenance-free
- Push-in CAGE CLAMP® spring pressure connection technology allows solid conductors to be simply pushed into a unit
- Minimize voltage drop over longer cable runs

Electrical Data

Ratings per	IEC/EN 60664-1		
Overvoltage category	III	III	II
Pollution degree	3	2	2
Rated voltage	400 V	-	-
Rated impulse voltage	6 kV	-	-
Rated current	35 A	-	-

Connection Data

Connection technology	Push-in CAGE CLAMP®
Strip length	13 mm / 0.51 inch
Nominal cross section	6 mm ²
Solid conductor	0.5 ... 6 mm ² / 20 ... 8 AWG
Stranded conductor	0.5 ... 4 mm ² / 20 ... 12 AWG
Fine-stranded conductor	0.5 ... 6 mm ² / 20 ... 8 AWG

Material Data

Insulating material	Polyamide 66 (PA 66)
Clamping spring material	Chrome nickel spring steel (CrNi)
Contact material	Copper or copper alloy; surface-treated

Mechanical Data

Number of mating cycles	100, ohne ohmsche Last 50, mit ohmscher Last $I_N = 35$ A, geprüft (6 mm ²)
Mating force of a plug-in connection	approx. 30 ... 70 N (depending on pole number)
Unmating force of a plug-in connection	when unlocked: approx. 30 ... 70 N (depending on pole number)
Retention force of a plug-in connection	When locked: > 80 N
Protection class	IP20
Note on protection class	In mated condition with strain relief housing: IP2xC (These compact connectors are not designed for use in open, easily accessible areas.)

Environmental Requirements

Processing temperature	-5 ... +40 °C
Continuous operating temperature	-35 ... +85 °C
Note on continuous service temperature	Insulating parts for temperatures ≤ 105 °C

All connectors for mounted installations (snap-in versions for lighting fixtures or devices, all types of PCB and distribution connectors) are factory-equipped with locking levers to ensure plugs and sockets are securely locked. Additional locking levers are only required for flying leads (plug/socket).

All WINSTA® components are 100% protected against mismatching in terms of:

- plugging different number of poles
- plugging when turned by 180°
- plugging when laterally staggered
- plugging one pole

Tools Page 492

Additional information, see "Technical Section"

Approvals and corresponding ratings, visit www.wago.com

Pluggable Connector ▶ WINSTA® MAXI ▶ Serie 831

No. of poles: 5

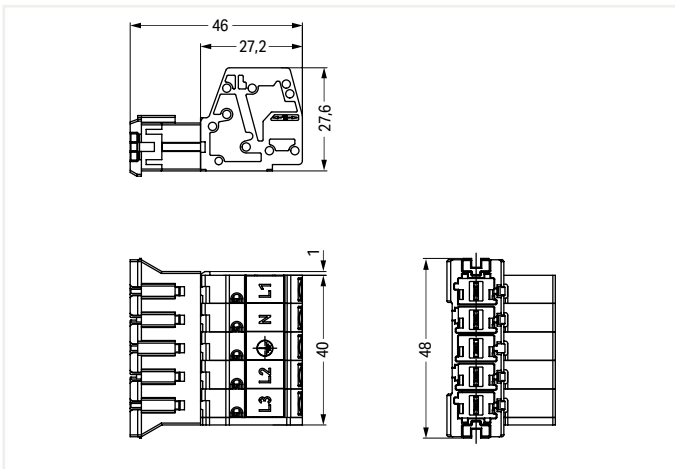
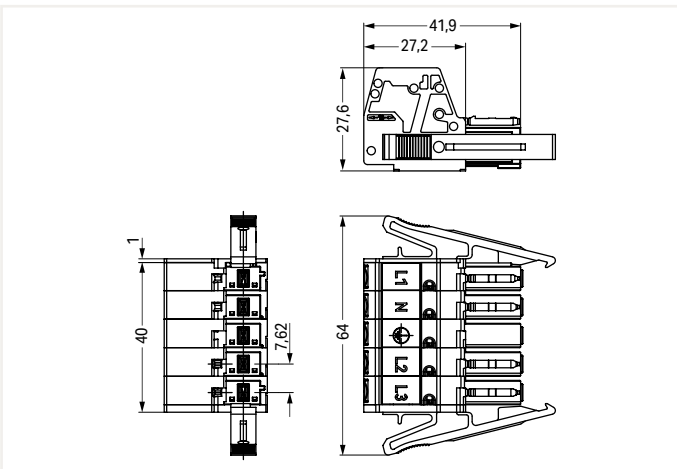
Female connector/socket

Male connector/plug



Color	Coding	Marking	Item Number	PU
● black	A	L1 N ⊕ L2 L3	831-3105/1019-004	5
○ white	A	L1 N ⊕ L2 L3	831-3105/1019-050	5

Color	Coding	Marking	Item Number	PU
● black	A	L1 N ⊕ L2 L3	831-3205/1020-004	5
○ white	A	L1 N ⊕ L2 L3	831-3205/1020-050	5



6





WAGO Pluggable Connection System
WINSTA® RD

WAGO Pluggable Connection System WINSTA® RD ▶ 774 Series

2.5 mm² / 20 A

- Note:**
- Installation connectors are designed for connection and disconnection while not under load.
 - There is no hazard-inducing interchangeability with systems based on IEC 60309, IEC 60320, IEC 60906 and with national connector and socket systems.
 - Compliance with the standards (IEC 61535) does not guarantee hazard-preventing, non-interchangeability with installation connector systems from various manufacturers.
 - Installation connector systems are not a substitute for residential connector/socket systems.
 - WINSTA® RD Connectors are not intended for installation in open or easily accessible areas.

	Page
	Cable Assemblies; 774 Series
	3 x 1.5 mm ² 382
	3 x 2.5 mm ² 387
	4 x 1.5 mm ² 392
	Plug Adapters for Attema's Hollow-Wall Boxes; 774 Series
	3-pole 390

Cable Assembly ▶ WINSTA® RD ▶ Serie 774No. of poles: 3 ▶ Protection class: IP20 ▶ Reaction to fire class per EN 50575: E_{ca}

- For round conduits and ducts
- 3- and 4-pole preassembled cables with 17.5 mm outer diameter for easy plug & play
- Plug-in integration into the electrical installation of hollow-wall boxes via adapter, for example

Electrical Data

Cross section of single conductor	1.5 mm ²			2.5 mm ²		
Coding	A; S			A		
Ratings per	IEC/EN 60664-1			IEC/EN 60664-1		
Overtoltage category	III	III	II	III	III	II
Pollution degree	3	2	2	3	2	2
Rated voltage	250 V	-	-	250 V	-	-
Rated impulse voltage	4 kV	-	-	4 kV	-	-
Rated current	16 A	-	-	20 A	-	-

Material Data

Insulating material	Polyamide 66 (PA 66)
Contact material	Copper or copper alloy; surface-treated
Reaction to fire class per EN 50575	E _{ca}

Mechanical Data

Number of mating cycles	200, without resistive load 100, with resistive load I _N = 20 A, tested (2.5mm ² /AWG 14)
Mating force of a plug-in connection	approx. 30 ... 70 N (depending on pole number)
Unmating force of a plug-in connection	when unlocked: approx. 30 ... 70 N (depending on pole number)
Retention force of a plug-in connection	when locked: > 80N
Protection class	IP20
Note on protection class	In mated condition: IP2xC (These compact connectors are not designed for use in open, easily accessible areas.)

Environmental Requirements

Processing temperature	-5 ... +40 °C
Continuous operating temperature	-35 ... +85 °C
Note on continuous service temperature	PVC cable for temperatures ≤ 70 °C (including halogen-free) Insulating parts for temperatures ≤ 105 °C

Cables with different fire load are available in the eShop

All WINSTA® components are 100% protected against mismatching in terms of:

- plugging different number of poles
- plugging when turned by 180°
- plugging when laterally staggered

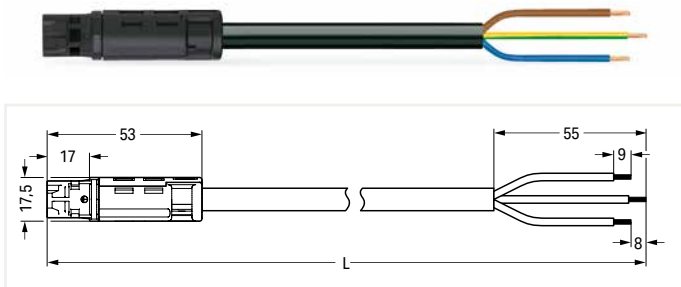
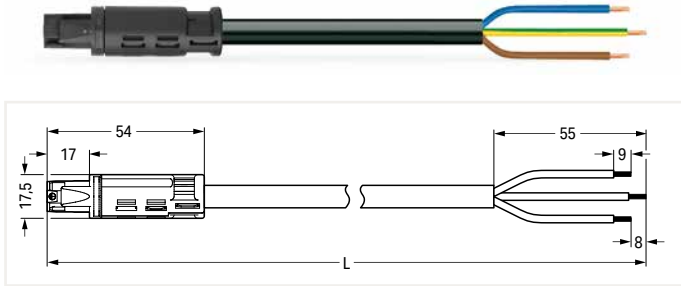
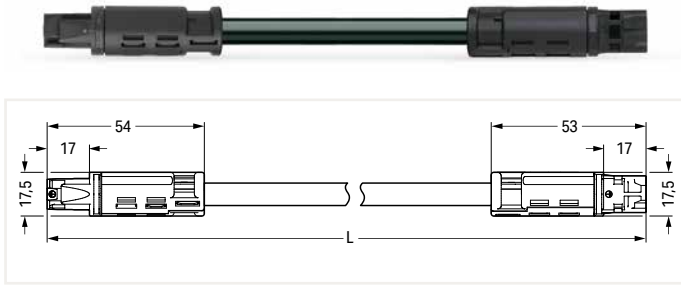
Coding Page 474

Additional information, see "Technical Section"

Approvals and corresponding ratings, visit www.wago.com

Cable Assembly ▶ WINSTA® RD ▶ Serie 774

No. of poles: 3 ▶ Protection class: IP20 ▶ Reaction to fire class per EN 50575: E_{ca} ▶ 1.5 mm² ▶ Co-
ding: A ▶ Marking: L ⊕ N ▶ PVC ▶ Cable diameter: 7.4 ... 9.4 mm ▶ H05VV-F 3G1.5



Total length	Connector color / Strain relief color		PU
	black / black	white / white	
1 m	774-9993/006-101	774-9993/006-102	1
2 m	774-9993/006-201	774-9993/006-202	1
3 m	774-9993/006-301	774-9993/006-302	1
4 m	774-9993/006-401	774-9993/006-402	1
5 m	774-9993/006-501	774-9993/006-502	1
6 m	774-9993/006-601	774-9993/006-602	1
7 m	774-9993/006-701	774-9993/006-702	1
8 m	774-9993/006-801	774-9993/006-802	1

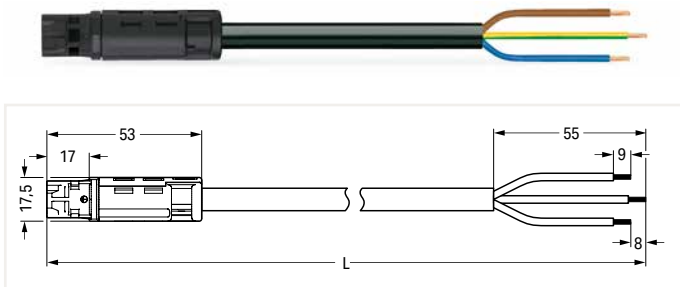
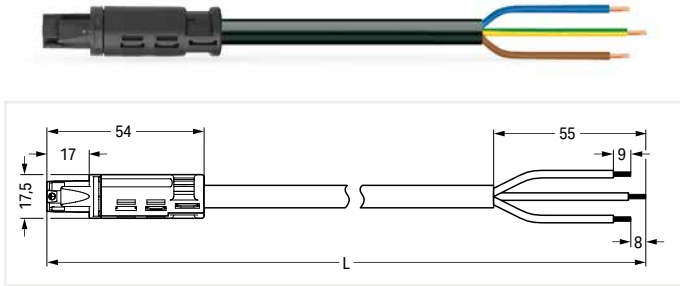
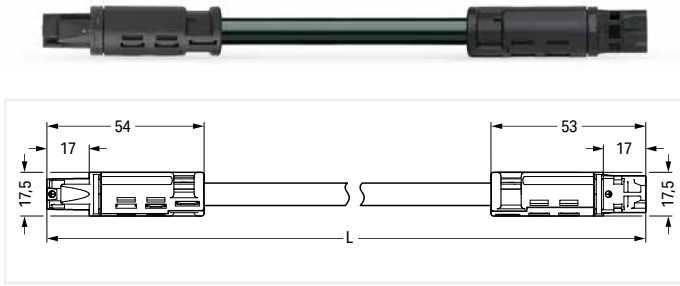
Total length	Connector color / Strain relief color		PU
	black / black	white / white	
1 m	774-9993/106-101	774-9993/106-102	1
2 m	774-9993/106-201	774-9993/106-202	1
3 m	774-9993/106-301	774-9993/106-302	1
4 m	774-9993/106-401	774-9993/106-402	1
5 m	774-9993/106-501	774-9993/106-502	1
6 m	774-9993/106-601	774-9993/106-602	1
7 m	774-9993/106-701	774-9993/106-702	1
8 m	774-9993/106-801	774-9993/106-802	1

Total length	Connector color / Strain relief color		PU
	black / black	white / white	
1 m	774-9993/206-101	774-9993/206-102	1
2 m	774-9993/206-201	774-9993/206-202	1
3 m	774-9993/206-301	774-9993/206-302	1
4 m	774-9993/206-401	774-9993/206-402	1
5 m	774-9993/206-501	774-9993/206-502	1
6 m	774-9993/206-601	774-9993/206-602	1
7 m	774-9993/206-701	774-9993/206-702	1
8 m	774-9993/206-801	774-9993/206-802	1

PU = Packaging Unit; SPU = Subpackaging Unit; Dimensions in mm

Cable Assembly ▶ WINSTA® RD ▶ Serie 774

No. of poles: 3 ▶ Protection class: IP20 ▶ Reaction to fire class per EN 50575: E_{ca} ▶ 1.5 mm² ▶ Co-
ding: A ▶ Marking: L ⊕ N ▶ Halogen-free ▶ Cable diameter: 7.4 ... 9.4 mm ▶ H05Z1Z1-F 3G1.5



Total length	Connector color / Strain relief color		PU
	black / black	white / white	
1 m	774-9993/016-101	774-9993/016-102	1
2 m	774-9993/016-201	774-9993/016-202	1
3 m	774-9993/016-301	774-9993/016-302	1
4 m	774-9993/016-401	774-9993/016-402	1
5 m	774-9993/016-501	774-9993/016-502	1
6 m	774-9993/016-601	774-9993/016-602	1
7 m	774-9993/016-701	774-9993/016-702	1
8 m	774-9993/016-801	774-9993/016-802	1

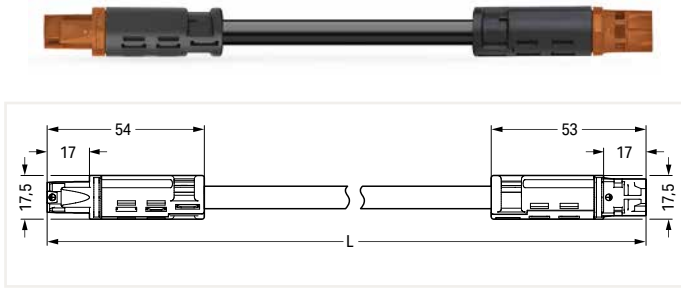
Total length	Connector color / Strain relief color		PU
	black / black	white / white	
1 m	774-9993/116-101	774-9993/116-102	1
2 m	774-9993/116-201	774-9993/116-202	1
3 m	774-9993/116-301	774-9993/116-302	1
4 m	774-9993/116-401	774-9993/116-402	1
5 m	774-9993/116-501	774-9993/116-502	1
6 m	774-9993/116-601	774-9993/116-602	1
7 m	774-9993/116-701	774-9993/116-702	1
8 m	774-9993/116-801	774-9993/116-802	1

Total length	Connector color / Strain relief color		PU
	black / black	white / white	
1 m	774-9993/216-101	774-9993/216-102	1
2 m	774-9993/216-201	774-9993/216-202	1
3 m	774-9993/216-301	774-9993/216-302	1
4 m	774-9993/216-401	774-9993/216-402	1
5 m	774-9993/216-501	774-9993/216-502	1
6 m	774-9993/216-601	774-9993/216-602	1
7 m	774-9993/216-701	774-9993/216-702	1
8 m	774-9993/216-801	774-9993/216-802	1

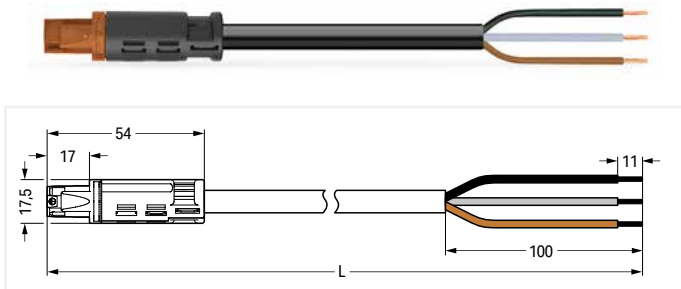
7

Cable Assembly ▶ WINSTA® RD ▶ Serie 774

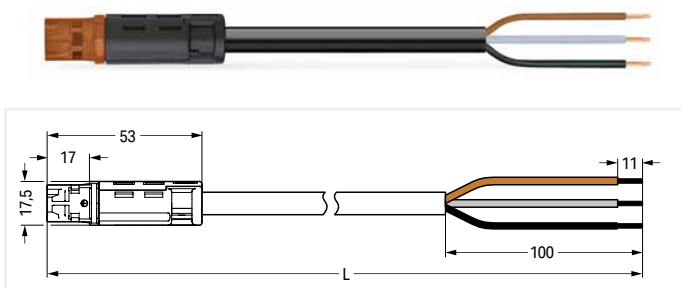
No. of poles: 3 ▶ Protection class: IP20 ▶ Reaction to fire class per EN 50575: E_{ca} ▶ 1.5 mm² ▶ Co-
ding: S ▶ Marking: 1 2 L ▶ PVC ▶ Cable diameter: 7.4 ... 9.4 mm ▶ H05VV-F 3x1.5



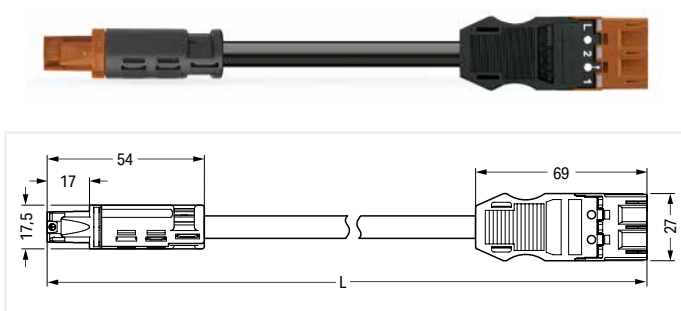
Interconnecting cable ▶ Socket - Plug				
Total length	Connector color / Strain relief color			PU
	brown / black			
1 m	774-9973/006-105			1
2 m	774-9973/006-205			1
3 m	774-9973/006-305			1
4 m	774-9973/006-405			1
5 m	774-9973/006-505			1
6 m	774-9973/006-605			1
7 m	774-9973/006-705			1
8 m	774-9973/006-805			1



Connecting cable ▶ Socket - Free end				
Total length	Connector color / Strain relief color			PU
	brown / black			
1 m	774-9973/106-105			1
2 m	774-9973/106-205			1
3 m	774-9973/106-305			1
4 m	774-9973/106-405			1
5 m	774-9973/106-505			1
6 m	774-9973/106-605			1
7 m	774-9973/106-705			1
8 m	774-9973/106-805			1



Connecting cable ▶ Plug - Free end				
Total length	Connector color / Strain relief color			PU
	brown / black			
1 m	774-9973/206-105			1
2 m	774-9973/206-205			1
3 m	774-9973/206-305			1
4 m	774-9973/206-405			1
5 m	774-9973/206-505			1
6 m	774-9973/206-605			1
7 m	774-9973/206-705			1
8 m	774-9973/206-805			1



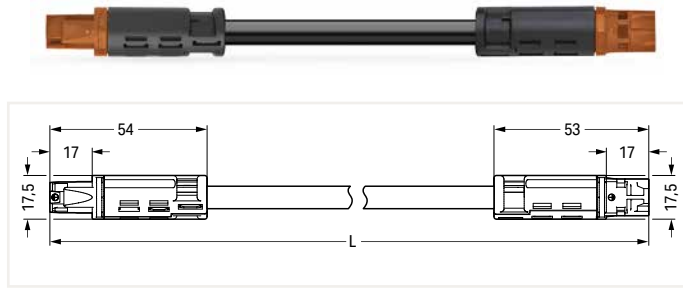
Adapter cable ▶ Socket (RD) - Plug (MIDI)				
Total length	Connector color / Strain relief color			PU
	brown / black			
1 m	774-9973/1506-105			1
2 m	774-9973/1506-205			1
3 m	774-9973/1506-305			1
4 m	774-9973/1506-405			1
5 m	774-9973/1506-505			1
6 m	774-9973/1506-605			1
7 m	774-9973/1506-705			1
8 m	774-9973/1506-805			1

7

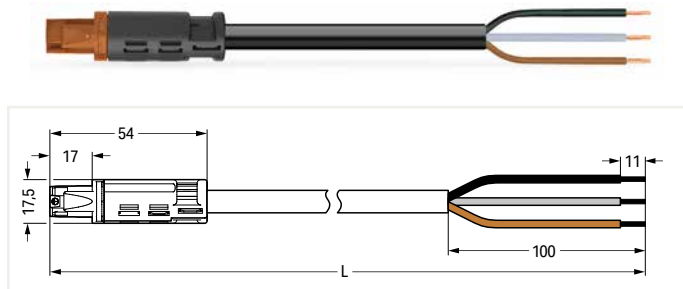
PU = Packaging Unit; SPU = Subpackaging Unit; Dimensions in mm

Cable Assembly ▶ WINSTA® RD ▶ Serie 774

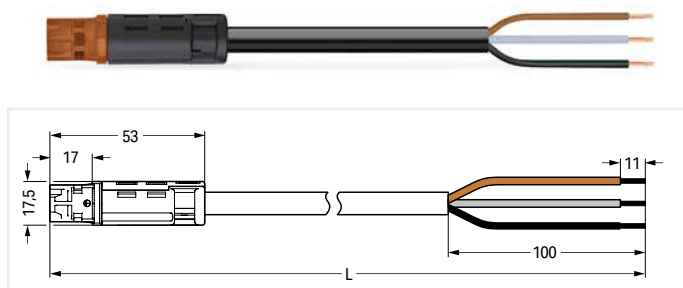
No. of poles: 3 ▶ Protection class: IP20 ▶ Reaction to fire class per EN 50575: E_{ca} ▶ 1.5 mm² ▶ Co-
ding: S ▶ Marking: 1 2 L ▶ Halogen-free ▶ Cable diameter: 7.4 ... 9.4 mm ▶ H05Z1Z1-F 3x1.5



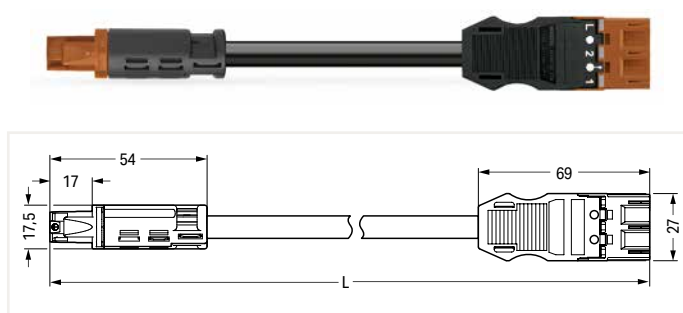
Interconnecting cable ▶ Socket - Plug				
Total length	Connector color / Strain relief color			PU
	brown / black			
1 m	774-9973/016-105			1
2 m	774-9973/016-205			1
3 m	774-9973/016-305			1
4 m	774-9973/016-405			1
5 m	774-9973/016-505			1
6 m	774-9973/016-605			1
7 m	774-9973/016-705			1
8 m	774-9973/016-805			1



Connecting cable ▶ Socket - Free end				
Total length	Connector color / Strain relief color			PU
	brown / black			
1 m	774-9973/116-105			1
2 m	774-9973/116-205			1
3 m	774-9973/116-305			1
4 m	774-9973/116-405			1
5 m	774-9973/116-505			1
6 m	774-9973/116-605			1
7 m	774-9973/116-705			1
8 m	774-9973/116-805			1



Connecting cable ▶ Plug - Free end				
Total length	Connector color / Strain relief color			PU
	brown / black			
1 m	774-9973/216-105			1
2 m	774-9973/216-205			1
3 m	774-9973/216-305			1
4 m	774-9973/216-405			1
5 m	774-9973/216-505			1
6 m	774-9973/216-605			1
7 m	774-9973/216-705			1
8 m	774-9973/216-805			1

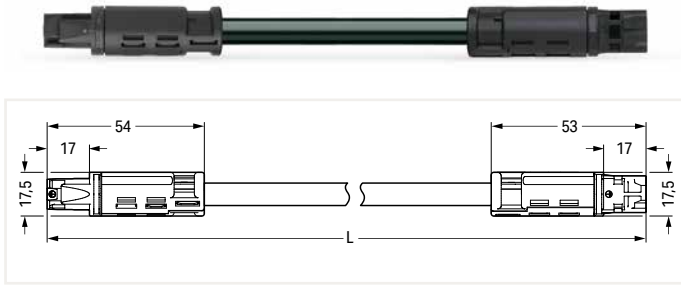


Adapter cable ▶ Socket (RD) - Plug (MIDI)				
Total length	Connector color / Strain relief color			PU
	brown / black			
1 m	774-9973/1516-105			1
2 m	774-9973/1516-205			1
3 m	774-9973/1516-305			1
4 m	774-9973/1516-405			1
5 m	774-9973/1516-505			1
6 m	774-9973/1516-605			1
7 m	774-9973/1516-705			1
8 m	774-9973/1516-805			1

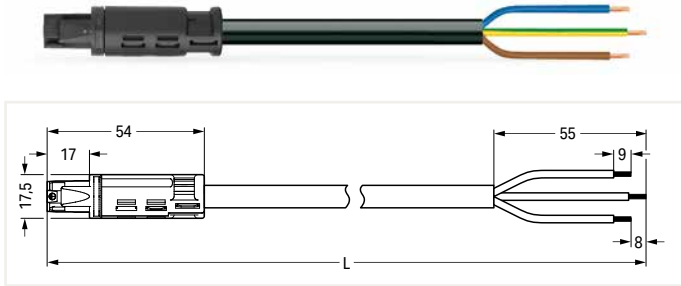
PU = Packaging Unit; SPU = Subpackaging Unit; Dimensions in mm

Cable Assembly ▶ WINSTA® RD ▶ Serie 774

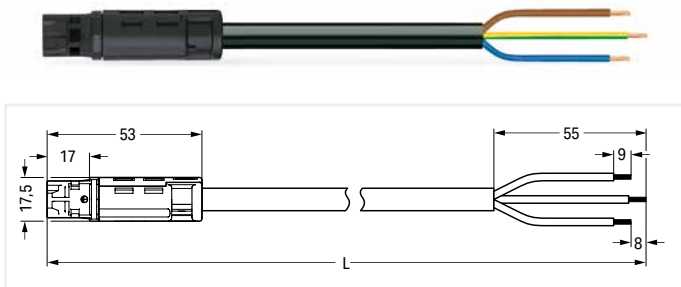
No. of poles: 3 ▶ Protection class: IP20 ▶ Reaction to fire class per EN 50575: E_{ca} ▶ 2.5 mm² ▶ Co-
ding: A ▶ Marking: L ⊕ N ▶ PVC ▶ Cable diameter: 9.2 ... 11.4 mm ▶ H05VV-F 3G2.5



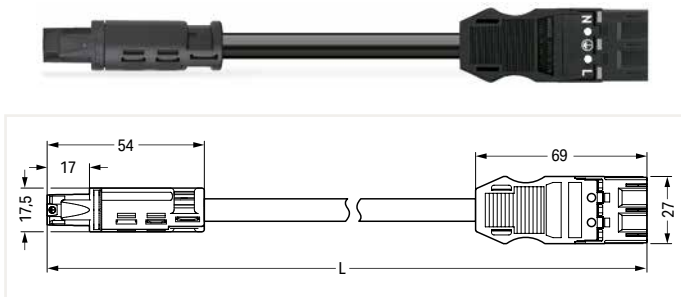
Total length	Connector color / Strain relief color		PU
	black / black	white / white	
1 m	774-9993/007-101	774-9993/007-102	1
2 m	774-9993/007-201	774-9993/007-202	1
3 m	774-9993/007-301	774-9993/007-302	1
4 m	774-9993/007-401	774-9993/007-402	1
5 m	774-9993/007-501	774-9993/007-502	1
6 m	774-9993/007-601	774-9993/007-602	1
7 m	774-9993/007-701	774-9993/007-702	1
8 m	774-9993/007-801	774-9993/007-802	1



Total length	Connector color / Strain relief color		PU
	black / black	white / white	
1 m	774-9993/107-101	774-9993/107-102	1
2 m	774-9993/107-201	774-9993/107-202	1
3 m	774-9993/107-301	774-9993/107-302	1
4 m	774-9993/107-401	774-9993/107-402	1
5 m	774-9993/107-501	774-9993/107-502	1
6 m	774-9993/107-601	774-9993/107-602	1
7 m	774-9993/107-701	774-9993/107-702	1
8 m	774-9993/107-801	774-9993/107-802	1



Total length	Connector color / Strain relief color		PU
	black / black	white / white	
1 m	774-9993/207-101	774-9993/207-102	1
2 m	774-9993/207-201	774-9993/207-202	1
3 m	774-9993/207-301	774-9993/207-302	1
4 m	774-9993/207-401	774-9993/207-402	1
5 m	774-9993/207-501	774-9993/207-502	1
6 m	774-9993/207-601	774-9993/207-602	1
7 m	774-9993/207-701	774-9993/207-702	1
8 m	774-9993/207-801	774-9993/207-802	1

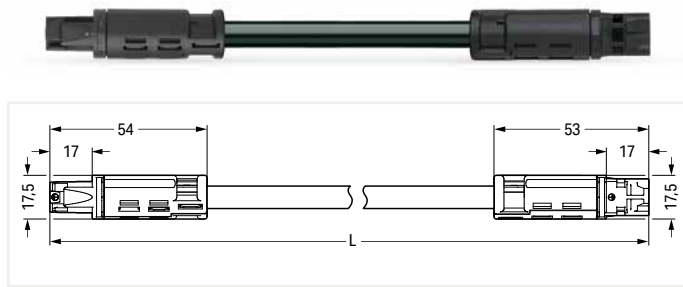


Total length	Connector color / Strain relief color		PU
	black / black		
1 m	774-9993/1507-101		1
2 m	774-9993/1507-201		1
3 m	774-9993/1507-301		1
4 m	774-9993/1507-401		1
5 m	774-9993/1507-501		1
6 m	774-9993/1507-601		1
7 m	774-9993/1507-701		1
8 m	774-9993/1507-801		1

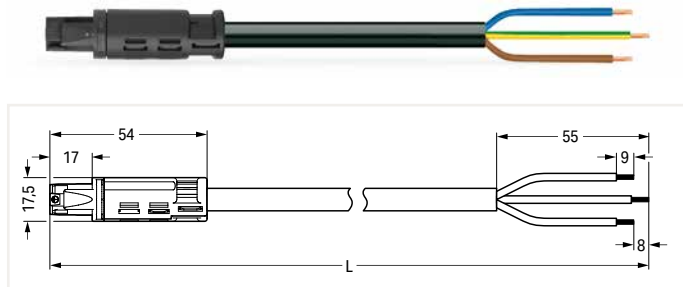
PU = Packaging Unit; SPU = Subpackaging Unit; Dimensions in mm

Cable Assembly ▶ WINSTA® RD ▶ Serie 774

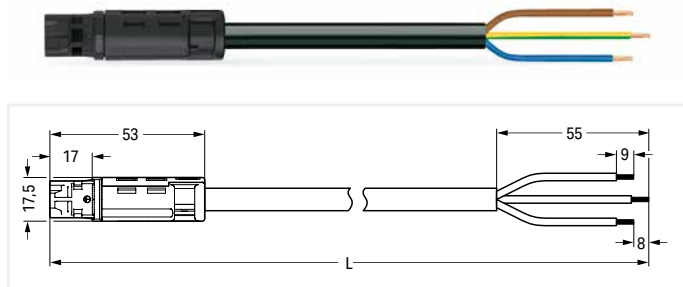
No. of poles: 3 ▶ Protection class: IP20 ▶ Reaction to fire class per EN 50575: E_{ca} ▶ 2.5 mm² ▶ Coding: A ▶ Marking: L ⊕ N ▶ Halogen-free ▶ Cable diameter: 9.2 ... 11.4 mm ▶ H05Z1Z1-F 3G2.5



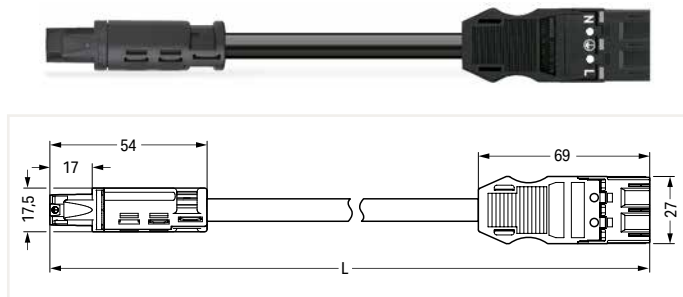
Total length	Connector color / Strain relief color		PU
	black / black	white / white	
1 m	774-9993/017-101	774-9993/017-102	1
2 m	774-9993/017-201	774-9993/017-202	1
3 m	774-9993/017-301	774-9993/017-302	1
4 m	774-9993/017-401	774-9993/017-402	1
5 m	774-9993/017-501	774-9993/017-502	1
6 m	774-9993/017-601	774-9993/017-602	1
7 m	774-9993/017-701	774-9993/017-702	1
8 m	774-9993/017-801	774-9993/017-802	1



Total length	Connector color / Strain relief color		PU
	black / black	white / white	
1 m	774-9993/117-101	774-9993/117-102	1
2 m	774-9993/117-201	774-9993/117-202	1
3 m	774-9993/117-301	774-9993/117-302	1
4 m	774-9993/117-401	774-9993/117-402	1
5 m	774-9993/117-501	774-9993/117-502	1
6 m	774-9993/117-601	774-9993/117-602	1
7 m	774-9993/117-701	774-9993/117-702	1
8 m	774-9993/117-801	774-9993/117-802	1



Total length	Connector color / Strain relief color		PU
	black / black	white / white	
1 m	774-9993/217-101	774-9993/217-102	1
2 m	774-9993/217-201	774-9993/217-202	1
3 m	774-9993/217-301	774-9993/217-302	1
4 m	774-9993/217-401	774-9993/217-402	1
5 m	774-9993/217-501	774-9993/217-502	1
6 m	774-9993/217-601	774-9993/217-602	1
7 m	774-9993/217-701	774-9993/217-702	1
8 m	774-9993/217-801	774-9993/217-802	1



Total length	Connector color / Strain relief color		PU
	black / black		
1 m	774-9993/1517-101		1
2 m	774-9993/1517-201		1
3 m	774-9993/1517-301		1
4 m	774-9993/1517-401		1
5 m	774-9993/1517-501		1
6 m	774-9993/1517-601		1
7 m	774-9993/1517-701		1
8 m	774-9993/1517-801		1

7

PU = Packaging Unit; SPU = Subpackaging Unit; Dimensions in mm

7

Pluggable Connector ▶ WINSTA® RD ▶ Serie 774

No. of poles: 3 ▶ Plug adapter - Free end ▶ 2.5 mm² ▶ for Attema's Hollow-Wall Boxes ▶ Reaction to fire class per EN 50575: E_{ca}



- For round conduits and ducts
- 3- and 4-pole preassembled cables with 17.5 mm outer diameter for easy plug & play
- Plug-in integration into the electrical installation of hollow-wall boxes via adapter, for example

Electrical Data

Ratings per	IEC/EN 60664-1		
Overvoltage category	III	III	II
Pollution degree	3	2	2
Rated voltage	250 V	-	-
Rated impulse voltage	4 kV	-	-
Rated current	20 A	-	-

Connection Data

Strip length	16 mm / 0.63 inch
--------------	-------------------

Material Data

Insulating material	Polyamide 66 (PA 66)
Contact material	Copper or copper alloy; surface-treated
Reaction to fire class per EN 50575	E _{ca}

Mechanical Data

Number of mating cycles	200, without resistive load 100, with resistive load I _N = 20 A, tested (2.5mm ² /AWG 14)
Mating force of a plug-in connection	approx. 30 ... 70 N (depending on pole number)
Unmating force of a plug-in connection	when unlocked: approx. 30 ... 70 N (depending on pole number)
Retention force of a plug-in connection	when locked: > 80N
Protection class	IP20
Note on protection class	In mated condition: IP2xC (These compact connectors are not designed for use in open, easily accessible areas.)

Environmental Requirements

Processing temperature	-5 ... +40 °C
Continuous operating temperature	-35 ... +85 °C
Note on continuous service temperature	PVC cable for temperatures ≤ 70 °C (including halogen-free) Insulating parts for temperatures ≤ 105 °C

These plug adapters are designed for Attema's hollow-wall boxes. They permit complete preassembly of switches and power outlets, allowing them to be plugged on site via WINSTA® RD Connectors. This relocates the wiring of switches and outlets from the construction site to the factory, simplifying on-site installation and minimizing installation time.

All WINSTA® components are 100% protected against mismatching in terms of:

- plugging different number of poles
- plugging when turned by 180°
- plugging when laterally staggered

Additional information, see "Technical Section"

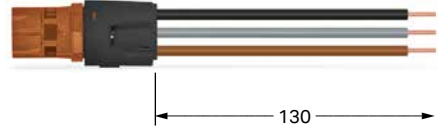
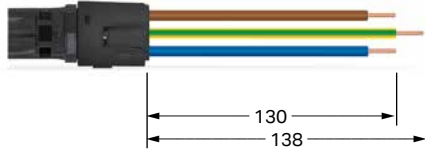
Approvals and corresponding ratings, visit www.wago.com

Pluggable Connector ▶ WINSTA® RD ▶ Serie 774

No. of poles: 3 ▶ Plug adapter - Free end ▶ 2.5 mm² ▶ for Attema's Hollow-Wall Boxes ▶ Reaction to fire class per EN 50575: E_{ca}

for power outlets

for switches



Color	Coding	Marking	Item No.	PU
● black	A		774-213/9900-000	10

Color	Coding	Marking	Item No.	PU
● brown	S		774-1373/9900-000	10



7

PU = Packaging Unit; SPU = Subpackaging Unit

Cable Assembly ▶ WINSTA® RD ▶ Serie 774

No. of poles: 4 ▶ Protection class: IP20 ▶ 1.5 mm² ▶ Coding: A ▶ Marking: N ⊕ 2 1 ▶ Cable diameter: 8.4 ... 10.5 mm ▶ Reaction to fire class per EN 50575: E_{ca}



- For round conduits and ducts
- 3- and 4-pole preassembled cables with 17.5 mm outer diameter for easy plug & play
- Plug-in integration into the electrical installation of hollow-wall boxes via adapter, for example

Electrical Data

Coding	A		
Ratings per	IEC/EN 60664-1		
Overvoltage category	III	III	II
Pollution degree	3	2	2
Rated voltage	250 V	-	-
Rated impulse voltage	4 kV	-	-
Rated current	16 A	-	-

Material Data

Insulating material	Polyamide 66 (PA 66)
Contact material	Copper or copper alloy; surface-treated
Reaction to fire class per EN 50575	E _{ca}

Mechanical Data

Number of mating cycles	200, without resistive load 100, with resistive load I _N = 20 A, tested (2.5mm ² /AWG 14)
Mating force of a plug-in connection	approx. 30 ... 70 N (depending on pole number)
Unmating force of a plug-in connection	when unlocked: approx. 30 ... 70 N (depending on pole number)
Retention force of a plug-in connection	when locked: > 80N
Protection class	IP20
Note on protection class	In mated condition: IP2xC (These compact connectors are not designed for use in open, easily accessible areas.)

Environmental Requirements

Processing temperature	-5 ... +40 °C
Continuous operating temperature	-35 ... +85 °C
Note on continuous service temperature	PVC cable for temperatures ≤ 70 °C (including halogen-free) Insulating parts for temperatures ≤ 105 °C

Cables with different fire load are available in the eShop

All WINSTA® components are 100% protected against mismatching in terms of:

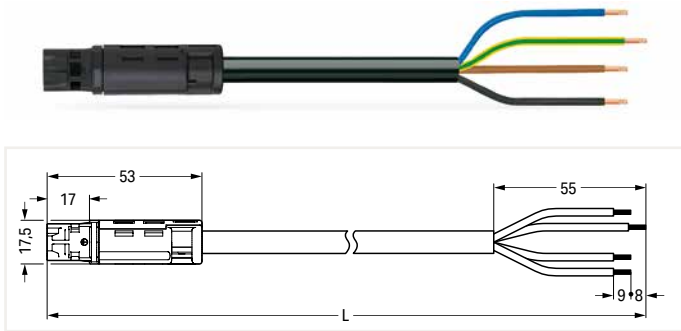
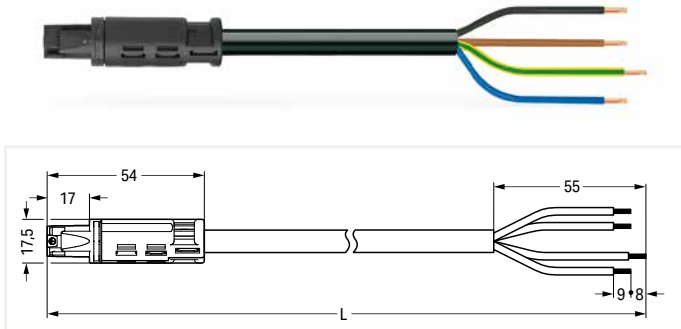
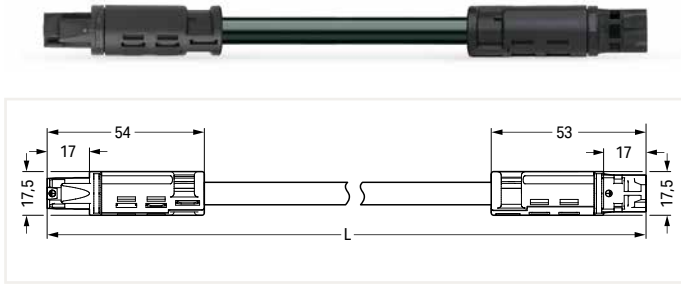
- plugging different number of poles
- plugging when turned by 180°
- plugging when laterally staggered

Additional information, see "Technical Section"

Approvals and corresponding ratings, visit www.wago.com

Cable Assembly ▶ WINSTA® RD ▶ Serie 774

No. of poles: 4 ▶ Protection class: IP20 ▶ 1.5 mm² ▶ Coding: A ▶ Marking: N ⊕ 2 1 ▶ Cable diameter: 8.4 ... 10.5 mm ▶ Reaction to fire class per EN 50575: E_{ca} ▶ PVC ▶ H05VV-F 4G1.5



Total length	Connector color / Strain relief color		PU
	black / black	white / white	
1 m	774-9994/006-101	774-9994/006-102	1
2 m	774-9994/006-201	774-9994/006-202	1
3 m	774-9994/006-301	774-9994/006-302	1
4 m	774-9994/006-401	774-9994/006-402	1
5 m	774-9994/006-501	774-9994/006-502	1
6 m	774-9994/006-601	774-9994/006-602	1
7 m	774-9994/006-701	774-9994/006-702	1
8 m	774-9994/006-801	774-9994/006-802	1

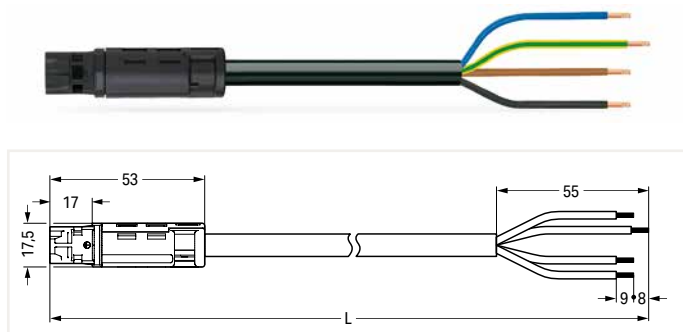
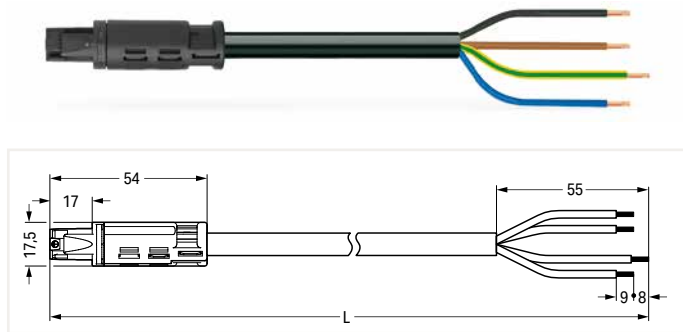
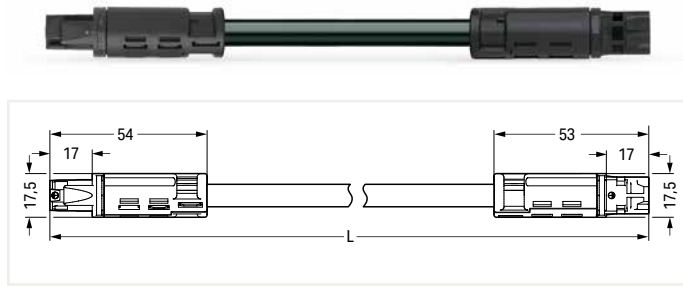
Total length	Connector color / Strain relief color		PU
	black / black	white / white	
1 m	774-9994/106-101	774-9994/106-102	1
2 m	774-9994/106-201	774-9994/106-202	1
3 m	774-9994/106-301	774-9994/106-302	1
4 m	774-9994/106-401	774-9994/106-402	1
5 m	774-9994/106-501	774-9994/106-502	1
6 m	774-9994/106-601	774-9994/106-602	1
7 m	774-9994/106-701	774-9994/106-702	1
8 m	774-9994/106-801	774-9994/106-802	1

Total length	Connector color / Strain relief color		PU
	black / black	white / white	
1 m	774-9994/206-101	774-9994/206-102	1
2 m	774-9994/206-201	774-9994/206-202	1
3 m	774-9994/206-301	774-9994/206-302	1
4 m	774-9994/206-401	774-9994/206-402	1
5 m	774-9994/206-501	774-9994/206-502	1
6 m	774-9994/206-601	774-9994/206-602	1
7 m	774-9994/206-701	774-9994/206-702	1
8 m	774-9994/206-801	774-9994/206-802	1

PU = Packaging Unit; SPU = Subpackaging Unit; Dimensions in mm

Cable Assembly ▶ WINSTA® RD ▶ Serie 774

No. of poles: 4 ▶ Protection class: IP20 ▶ 1.5 mm² ▶ Coding: A ▶ Marking: N ⊕ 2 1 ▶ Cable diameter: 8.4 ... 10.5 mm ▶ Reaction to fire class per EN 50575: E_{ca} ▶ Halogen-free ▶ H05Z1Z1-F 4G1.5



Interconnecting cable ▶ Socket - Plug			
Total length	Connector color / Strain relief color		PU
	black / black	white / white	
1 m	774-9994/016-101	774-9994/016-102	1
2 m	774-9994/016-201	774-9994/016-202	1
3 m	774-9994/016-301	774-9994/016-302	1
4 m	774-9994/016-401	774-9994/016-402	1
5 m	774-9994/016-501	774-9994/016-502	1
6 m	774-9994/016-601	774-9994/016-602	1
7 m	774-9994/016-701	774-9994/016-702	1
8 m	774-9994/016-801	774-9994/016-802	1

Connecting cable ▶ Socket - Free end			
Total length	Connector color / Strain relief color		PU
	black / black	white / white	
1 m	774-9994/116-101	774-9994/116-102	1
2 m	774-9994/116-201	774-9994/116-202	1
3 m	774-9994/116-301	774-9994/116-302	1
4 m	774-9994/116-401	774-9994/116-402	1
5 m	774-9994/116-501	774-9994/116-502	1
6 m	774-9994/116-601	774-9994/116-602	1
7 m	774-9994/116-701	774-9994/116-702	1
8 m	774-9994/116-801	774-9994/116-802	1

Connecting cable ▶ Plug - Free end			
Total length	Connector color / Strain relief color		PU
	black / black	white / white	
1 m	774-9994/216-101	774-9994/216-102	1
2 m	774-9994/216-201	774-9994/216-202	1
3 m	774-9994/216-301	774-9994/216-302	1
4 m	774-9994/216-401	774-9994/216-402	1
5 m	774-9994/216-501	774-9994/216-502	1
6 m	774-9994/216-601	774-9994/216-602	1
7 m	774-9994/216-701	774-9994/216-702	1
8 m	774-9994/216-801	774-9994/216-802	1

7

7



WAGO Pluggable Connection System *WINSTA*® KNX

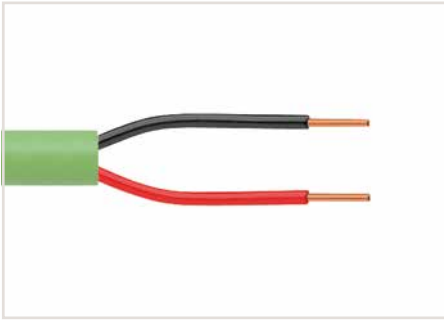
WAGO Pluggable Connection System WINSTA® KNX ▶ 893, 894 Series

Ø 0.8 mm / 3 A

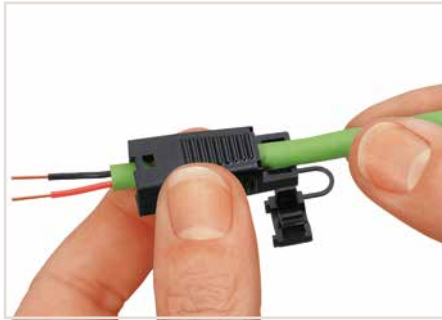
- Note:
- Installation connectors are designed for connection and disconnection while not under load.
 - There is no hazard-inducing interchangeability with systems based on IEC 60309, IEC 60320, IEC 60906 and with national connector and socket systems.
 - Installation connector systems are not a substitute for residential connector/socket systems.
 - WINSTA® KNX Connectors are not intended for installation in open or easily accessible areas.

	Page
	400
	402
	404
	406

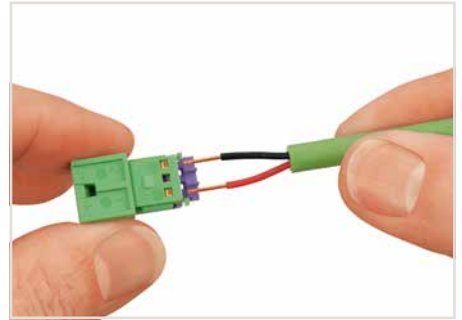
WINSTA® KNX ▶ 893, 894 Series Description and Installation



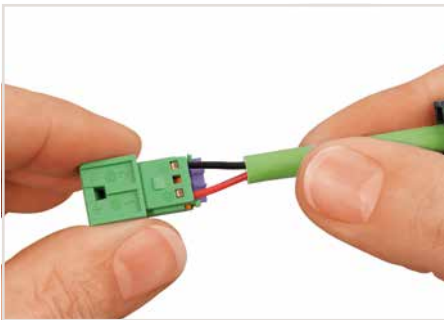
1. Strip length, outer insulation = 23 mm
2. Strip length = 9 mm



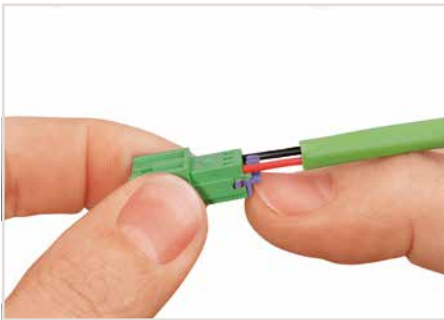
Prior to termination, pull the strain relief housing over the cable.



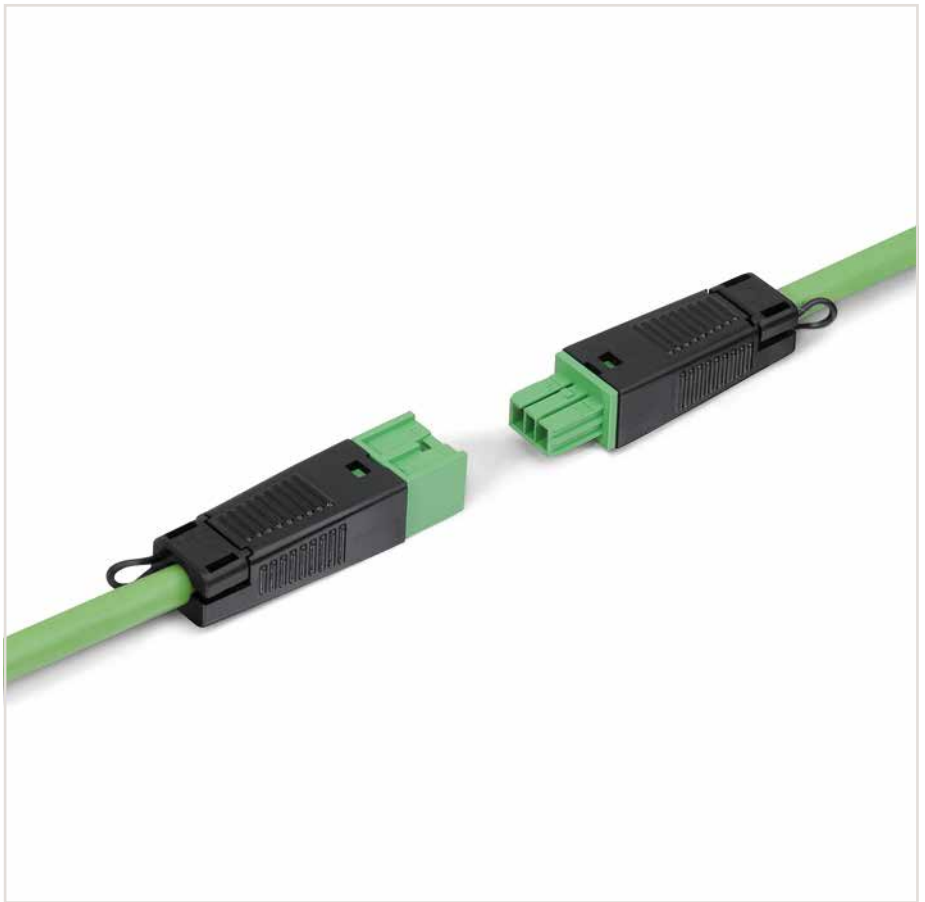
Insert stripped conductors directly into the conductor entries.



Push conductors until they hit backstop.



To disconnect, open clamping unit using the actuator and pull out the conductor.



8



Snap wired connector into the strain relief housing.



Press strain relief firmly on the cable.



Pre-assembled KNX connector

Sold & Serviced By:



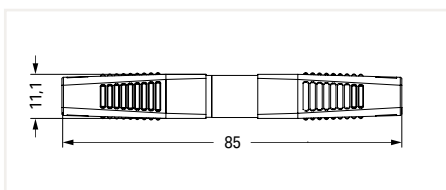
Toll Free Phone (877) SERV098
www.electromate.com
sales@electromate.com

Pluggable Connector ▶ WINSTA® KNX ▶ Serie 893

No. of poles: 2



- For low voltages up to 50 V
- Compact size, standardized interface
- Available in two different custom coding options with mismatching protection



Overall length when mated

Electrical Data			
Coding	E; F		
Ratings per	IEC/EN 60664-1		
Overvoltage category	III	III	II
Pollution degree	3	2	2
Rated voltage	50 V	-	-
Rated impulse voltage	0. kV	-	-
Rated current	3 A	-	-

Connection Data	
Connection technology	PUSH WIRE®
Strip length	9 mm / 0.35 inch
Conductor diameter	0.8 mm

Material Data	
Insulating material	Polyamide 66 (PA 66)
Clamping spring material	Chrome nickel spring steel (CrNi)
Contact material	Copper alloy; surface-treated
Reaction to fire class per EN 50575	E _{ca}

Mechanical Data	
Number of mating cycles	200
Mating force of a plug-in connection	approx. 10 ... 15 N
Unmating force of a plug-in connection	when unlocked: approx. 15 ... 20 N
Retention force of a plug-in connection	When locked: > 80 N
Protection class	IP20
Note on protection class	Only in mated condition with strain relief housing (These compact connectors are not designed for use in open, easily accessible areas.)

Environmental Requirements	
Processing temperature	-5 ... +40 °C
Continuous operating temperature	-35 ... +85 °C
Note on continuous service temperature	Insulating parts for temperatures ≤ 105 °C

All connectors for mounted installations (snap-in versions for lighting fixtures or devices, all types of PCB and distribution connectors) are factory-equipped with locking levers to ensure plugs and sockets are securely locked. Additional locking levers are only required for flying leads (plug/socket).

All WINSTA® components are 100% protected against mismatching in terms of:

- plugging different number of poles
- plugging when turned by 180°
- plugging when laterally staggered
- plugging one pole

Additional information, see "Technical Section"

Approvals and corresponding ratings, visit www.wago.com

Pluggable Connector ▶ WINSTA® KNX ▶ Serie 893

No. of poles: 2

Female connector/socket



Male connector/plug

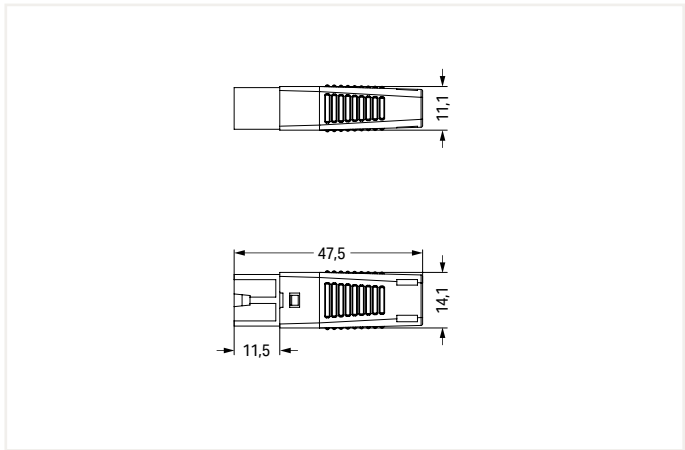
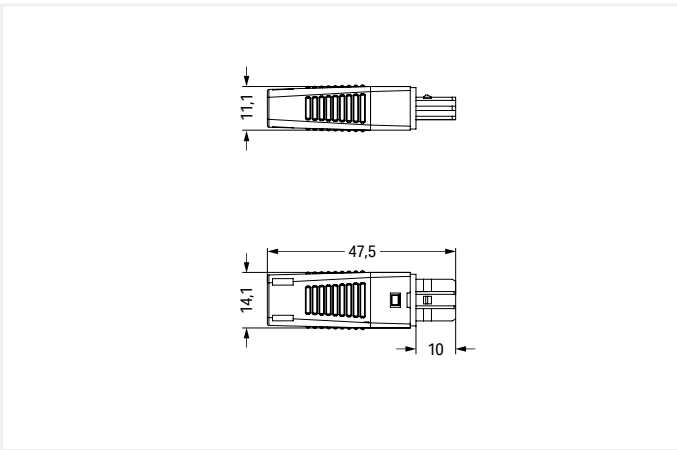


Coding:E				
Color	Coding	Marking	Item Number	PU
● green	E	1+ 2-	893-1002	50

Coding:E				
Color	Coding	Marking	Item Number	PU
● green	E	1+ 2-	893-1012	50

Coding:F				
Color	Coding	Marking	Item Number	PU
○ light gray	F	1+ 2-	893-1022	50

Coding:F				
Color	Coding	Marking	Item Number	PU
○ light gray	F	1+ 2-	893-1032	50



Sold & Serviced By:

 Toll Free Phone (877) SERV098
www.electromate.com
sales@electromate.com

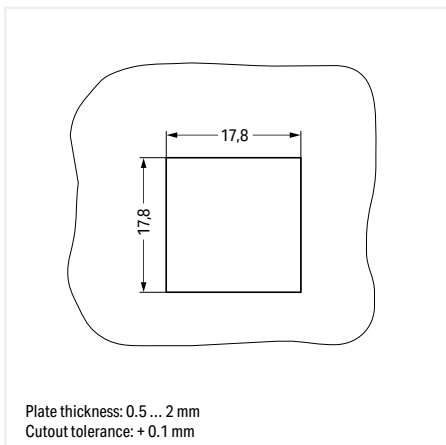
PU = Packaging Unit; SPU = Subpackaging Unit; Dimensions in mm

Snap-In Device Connector ▶ WINSTA® KNX ▶ Serie 893

No. of poles: 2



- For low voltages up to 50 V
- Compact size, standardized interface
- Available in two different custom coding options with mismatching protection



Electrical Data			
Coding	E; F		
Ratings per	IEC/EN 60664-1		
Overvoltage category	III	III	II
Pollution degree	3	2	2
Rated voltage	50 V	-	-
Rated impulse voltage	0. kV	-	-
Rated current	3 A	-	-

Connection Data	
Connection technology	PUSH WIRE®
Strip length	9 mm / 0.35 inch
Conductor diameter	0.8 mm

Material Data	
Insulating material	Polyamide 66 (PA 66)
Clamping spring material	Chrome nickel spring steel (CrNi)
Contact material	Copper alloy; surface-treated
Reaction to fire class per EN 50575	E _{ca}

Mechanical Data	
Number of mating cycles	200
Mating force of a plug-in connection	approx. 10 ... 15 N
Unmating force of a plug-in connection	when unlocked: approx. 15 ... 20 N
Retention force of a plug-in connection	When locked: > 80 N
Protection class	IP20
Note on protection class	Only in mated condition with strain relief housing (These compact connectors are not designed for use in open, easily accessible areas.)

Environmental Requirements	
Processing temperature	-5 ... +40 °C
Continuous operating temperature	-35 ... +85 °C
Note on continuous service temperature	Insulating parts for temperatures ≤ 105 °C

All connectors for mounted installations (snap-in versions for lighting fixtures or devices, all types of PCB and distribution connectors) are factory-equipped with locking levers to ensure plugs and sockets are securely locked. Additional locking levers are only required for flying leads (plug/socket).

All WINSTA® components are 100% protected against mismatching in terms of:

- plugging different number of poles
- plugging when turned by 180°
- plugging when laterally staggered
- plugging one pole

Additional information, see "Technical Section"

Approvals and corresponding ratings, visit www.wago.com

Snap-In Device Connector ▶ WINSTA® KNX ▶ Serie 893

No. of poles: 2

Female connector/socket

Male connector/plug



Coding:E

Color	Coding	Marking	Item Number	PU
● green	E	1+ 2-	893-2002	50

Coding:E

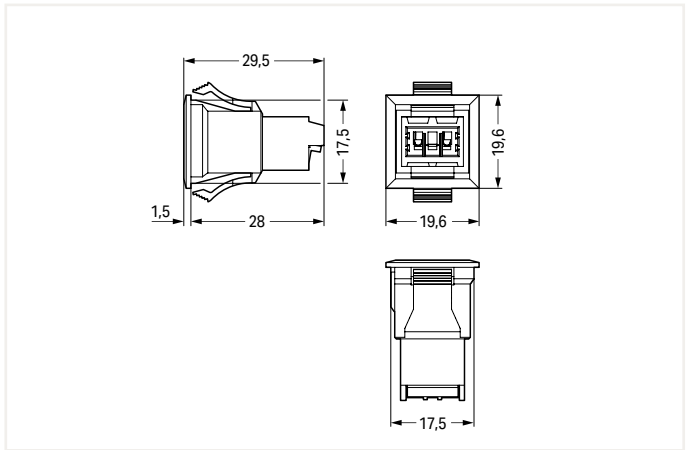
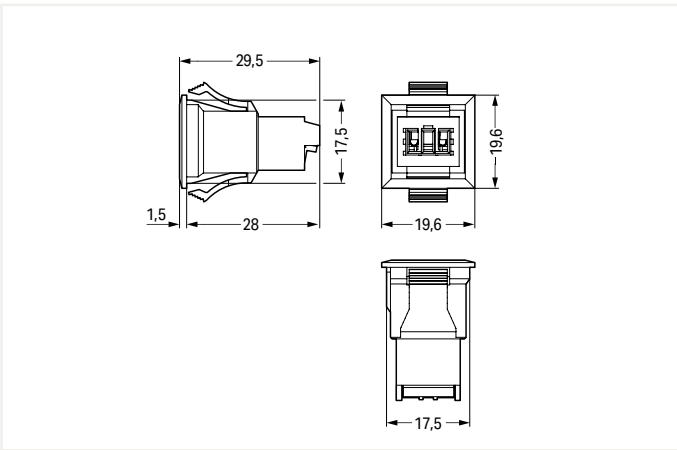
Color	Coding	Marking	Item Number	PU
● green	E	1+ 2-	893-2012	50

Coding:F

Color	Coding	Marking	Item Number	PU
○ light gray	F	1+ 2-	893-2022	50

Coding:F

Color	Coding	Marking	Item Number	PU
○ light gray	F	1+ 2-	893-2032	50



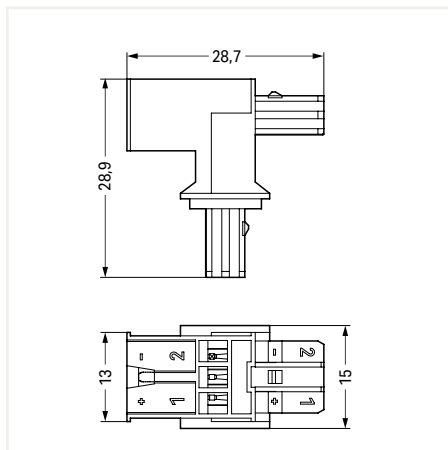
PU = Packaging Unit; SPU = Subpackaging Unit; Dimensions in mm

Distribution Connector ▶ WINSTA® KNX ▶ Serie 893

No. of poles: 2 ▶ T-distribution connector ▶ Number of locking levers: 2



- For low voltages up to 50 V
- Compact size, standardized interface
- Available in two different custom coding options with mismatching protection

**Electrical Data**

Coding	E; F		
Ratings per	IEC/EN 60664-1		
Overvoltage category	III	III	II
Pollution degree	3	2	2
Rated voltage	50 V	-	-
Rated impulse voltage	0. kV	-	-
Rated current	3 A	-	-

Material Data

Insulating material	Polyamide 66 (PA 66)
Contact material	Copper alloy; surface-treated

Mechanical Data

Number of mating cycles	200
Mating force of a plug-in connection	approx. 10 ... 15 N
Unmating force of a plug-in connection	when unlocked: approx. 15 ... 20 N
Retention force of a plug-in connection	When locked: > 80 N
Protection class	IP20
Note on protection class	Only in mated condition with strain relief housing (These compact connectors are not designed for use in open, easily accessible areas.)

Environmental Requirements

Processing temperature	-5 ... +40 °C
Continuous operating temperature	-35 ... +85 °C
Note on continuous service temperature	Insulating parts for temperatures ≤ 105 °C

All connectors for mounted installations (snap-in versions for lighting fixtures or devices, all types of PCB and distribution connectors) are factory-equipped with locking levers to ensure plugs and sockets are securely locked. Additional locking levers are only required for flying leads (plug/socket).

All WINSTA® components are 100% protected against mismatching in terms of:

- plugging different number of poles
- plugging when turned by 180°
- plugging when laterally staggered
- plugging one pole

Additional information, see "Technical Section"

Approvals and corresponding ratings, visit www.wago.com

Distribution Connector ▶ WINSTA® KNX ▶ Serie 893

No. of poles: 2 ▶ T-distribution connector ▶ Number of locking levers: 2



Color	Coding	Marking	Item Number	PU
● green	E	1+ 2-	893-1606	25

Color	Coding	Marking	Item Number	PU
● green	F	1+ 2-	893-1656	25

Cable Assembly ▶ WINSTA® KNX ▶ Serie 894

No. of poles: 2 ▶ Marking: 1+ 2-



- For low voltages up to 50 V
- Compact size, standardized interface
- Available in two different custom coding options with mismatching protection

Electrical Data			
Coding	E; F		
Ratings per	IEC/EN 60664-1		
Overvoltage category	III	III	II
Pollution degree	3	2	2
Rated voltage	50 V	-	-
Rated impulse voltage	0. kV	-	-
Rated current	3 A	-	-

Connection Data	
Conductor diameter	0.8 mm

Material Data	
Insulating material	Polyamide 66 (PA 66)
Contact material	Copper alloy; surface-treated

Mechanical Data	
Number of mating cycles	200
Mating force of a plug-in connection	approx. 10 ... 15 N
Unmating force of a plug-in connection	when unlocked: approx. 15 ... 20 N
Retention force of a plug-in connection	when locked: > 80N
Protection class	IP20
Note on protection class	Only in mated condition with strain relief housing (These compact connectors are not designed for use in open, easily accessible areas.)

Environmental Requirements	
Processing temperature	-5 ... +40 °C
Continuous operating temperature	-35 ... +85 °C
Note on continuous service temperature	PVC cable for temperatures ≤ 70 °C (including halogen-free) Insulating parts for temperatures ≤ 105 °C

Cables with different fire load are available in the eShop

All WINSTA® components are 100% protected against mismatching in terms of:

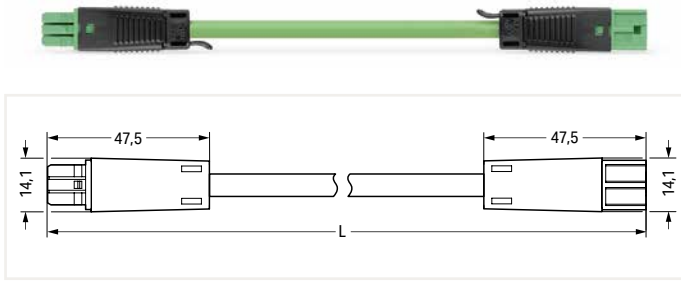
- plugging different number of poles
- plugging when turned by 180°
- plugging when laterally staggered
- plugging one pole

Additional information, see "Technical Section"

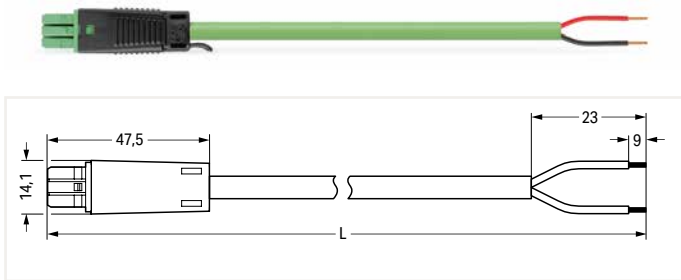
Approvals and corresponding ratings, visit www.wago.com

Cable Assembly ▶ WINSTA® KNX ▶ Serie 894

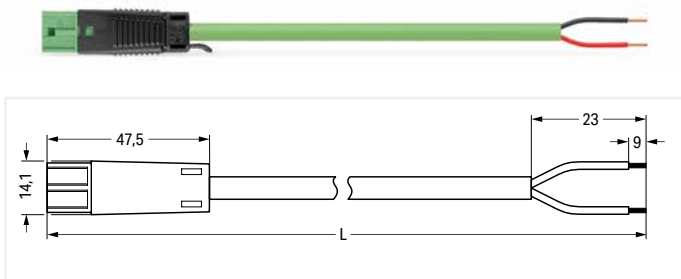
No. of poles: 2 ▶ Marking: 1+ 2- ▶ Coding: E ▶ PVC ▶ UNITRONIC BUS EIB 2x2x0.8 ▶ Reaction to fire class per EN 50575: E_{ca}



Interconnecting cable ▶ Connection type Socket - Plug				
Total length	Connector color / Strain relief color			PU
	green / black			
1 m	894-8992/033-106			1
3 m	894-8992/033-306			1
5 m	894-8992/033-506			1



Connecting cable ▶ Connection type Socket - Free end				
Total length	Connector color / Strain relief color			PU
	green / black			
1 m	894-8992/133-106			1
3 m	894-8992/133-306			1
5 m	894-8992/133-506			1

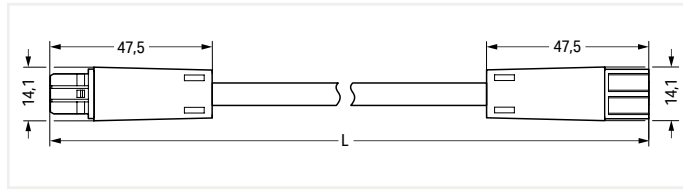


Connecting cable ▶ Connection type Plug - Free end				
Total length	Connector color / Strain relief color			PU
	green / black			
1 m	894-8992/233-106			1
3 m	894-8992/233-306			1
5 m	894-8992/233-506			1

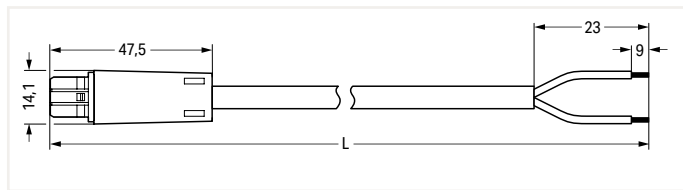
PU = Packaging Unit; SPU = Subpackaging Unit; Dimensions in mm

Cable Assembly ▶ WINSTA® KNX ▶ Serie 894

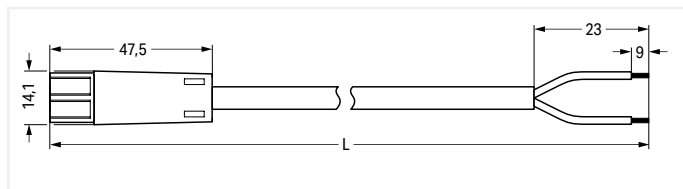
No. of poles: 2 ▶ Marking: 1+ 2- ▶ Coding: E ▶ Halogen-free ▶ Y-H(St)Hh 1x2x0.8 ▶ Reaction to fire class per EN 50575: C_{ca}



Interconnecting cable ▶ Connection type Socket - Plug				
Total length	Connector color / Strain relief color			PU
	green / black			
1 m	894-8392/073-106			1
3 m	894-8392/073-306			1
5 m	894-8392/073-506			1



Connecting cable ▶ Connection type Socket - Free end				
Total length	Connector color / Strain relief color			PU
	green / black			
1 m	894-8392/173-106			1
3 m	894-8392/173-306			1
5 m	894-8392/173-506			1



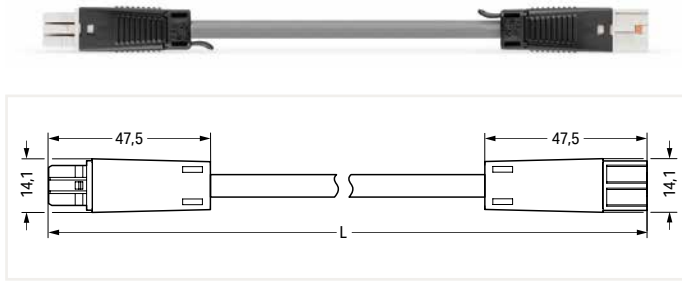
Connecting cable ▶ Connection type Plug - Free end				
Total length	Connector color / Strain relief color			PU
	green / black			
1 m	894-8392/273-106			1
3 m	894-8392/273-306			1
5 m	894-8392/273-506			1

8

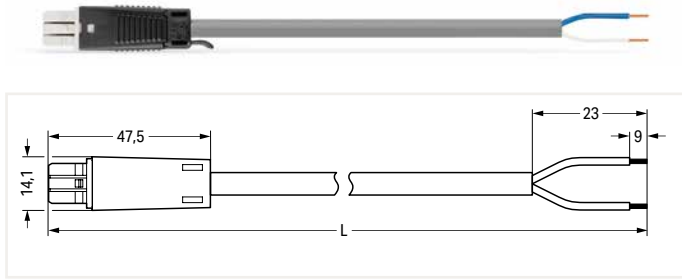
PU = Packaging Unit; SPU = Subpackaging Unit; Dimensions in mm

Cable Assembly ▶ WINSTA® KNX ▶ Serie 894

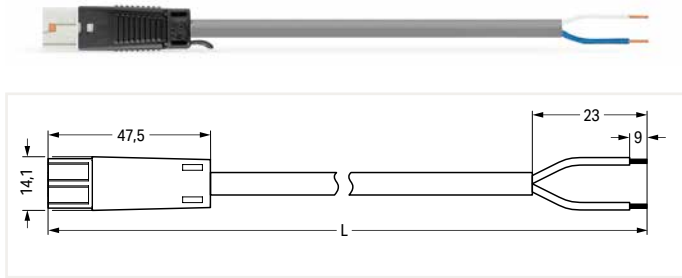
No. of poles: 2 ▶ Marking: 1+ 2- ▶ Coding: F ▶ Halogen-free ▶ J-Y(ST)Y...LG 1x2x0.8 ▶ Reaction to fire class per EN 50575: D_{ca}



Interconnecting cable ▶ Connection type Socket - Plug				
Total length	Connector color / Strain relief color			PU
	light gray / black			
1 m	894-8992/023-107			1
3 m	894-8992/023-307			1
5 m	894-8992/023-507			1



Connecting cable ▶ Connection type Socket - Free end				
Total length	Connector color / Strain relief color			PU
	light gray / black			
1 m	894-8992/123-107			1
3 m	894-8992/123-307			1
5 m	894-8992/123-507			1



Connecting cable ▶ Connection type Plug - Free end				
Total length	Connector color / Strain relief color			PU
	light gray / black			
1 m	894-8992/223-107			1
3 m	894-8992/223-307			1
5 m	894-8992/223-507			1

PU = Packaging Unit; SPU = Subpackaging Unit; Dimensions in mm



WAGO Pluggable Connection System

WINSTA® IDC

Important note:

The *WINSTA*® IDC system consists of the flat cables and the appropriate *WINSTA*® connection components that are described in this catalog and marked with "Woertz."

WAGO warrants the fault-free function of the *WINSTA*® IDC system only where original components are utilized.

Notice:



Only use identically coded supply and tap-off modules on the same cable!

- A- and P-coding (N ⊕ L1 L2 L3) are designed for a 400 V three-phase current cable configuration.
- I-coding (N ⊕ L DA- DA+) is designed for up to 230 V and dimming cable configurations.
- B-coding (N ⊕ L1 L2 L3) is designed for custom cable configurations.

Only modules with the same pole marking shall be used within an application.

WAGO Pluggable Connection System WINSTA® IDC ▶ 772, 893, 895, 896 Series for Flat Cables up to 16 mm²

- Note:
- Installation connectors are designed for connection and disconnection while not under load.
 - There is no hazard-inducing interchangeability with systems based on IEC 60309, IEC 60320, IEC 60906 and with national connector and socket systems.
 - Installation connector systems are not a substitute for residential connector/socket systems.
 - WINSTA® IDC Connectors are not intended for installation in open or easily accessible areas.

	Page
	IDC Modules for Flat Cables 5 x 2.5 mm ² / 5 x 4 mm ² / 5 x 2.5 mm ² + 2 x 1.5 mm ² ; 772 Series Supply Modules 415 Tap-Off Modules, WINSTA® Connectors 415
	IDC Modules for Flat Cables 5 x 2.5 mm ² + 2 x 1.5 mm ² ; 893 Series Supply Modules (KNX and Special Coding) 418 Tap-Off Modules (KNX and Special Coding) 420
	IDC Modules for Flat Cables 2 x 1.5 mm ² ; 893 Series Supply Modules (KNX and Special Coding) 422 Tap-Off Modules (KNX and Special Coding) 424
	IDC Modules for Flat Cables 3 x 2.5 mm ² ; 896 Series Supply Modules 426 Tap-Off Modules 428
	POWERBLOCK 10 for Flat Cable 5 x 10 mm ² ; 895 Series Supply Modules 430 Tap-Off Modules 432
	POWERBLOCK 16 for Flat Cable 5 x 16 mm ² ; 895 Series Supply Modules 434 Tap-Off Modules 436

WINSTA® IDC ▶ 772 Series Installation



Insert flat cable into base (observe coding!).



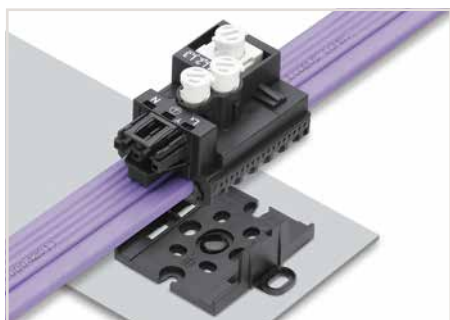
Mount IDC module flush with the base.
Should the IDC module jam during mounting, turn the upper part by 180° and remount it.



Screw down contact elements until element stops.



The mounting plate can be centrally mounted, or attached via outboard attachment points using 770-601 Mounting Pins.



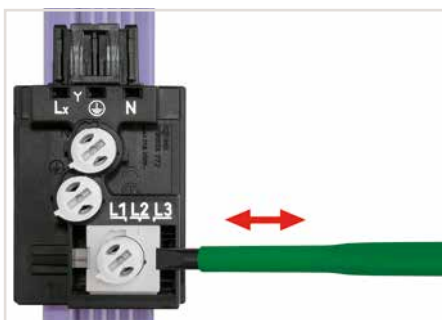
Snapping a supply or tap-off module onto a mounting plate.



9



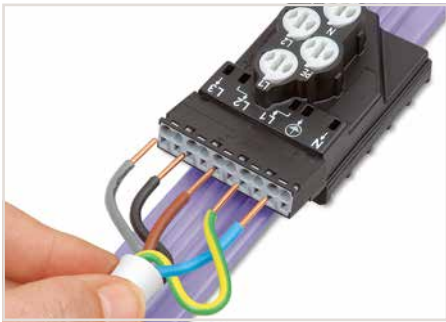
The phase selector is in position L2 (center) when delivered.



Move the phase selector into position L1 or L3 if required.



After connecting the flat cable, the IDC module is locked and can no longer be moved, even after unscrewing the contact element.



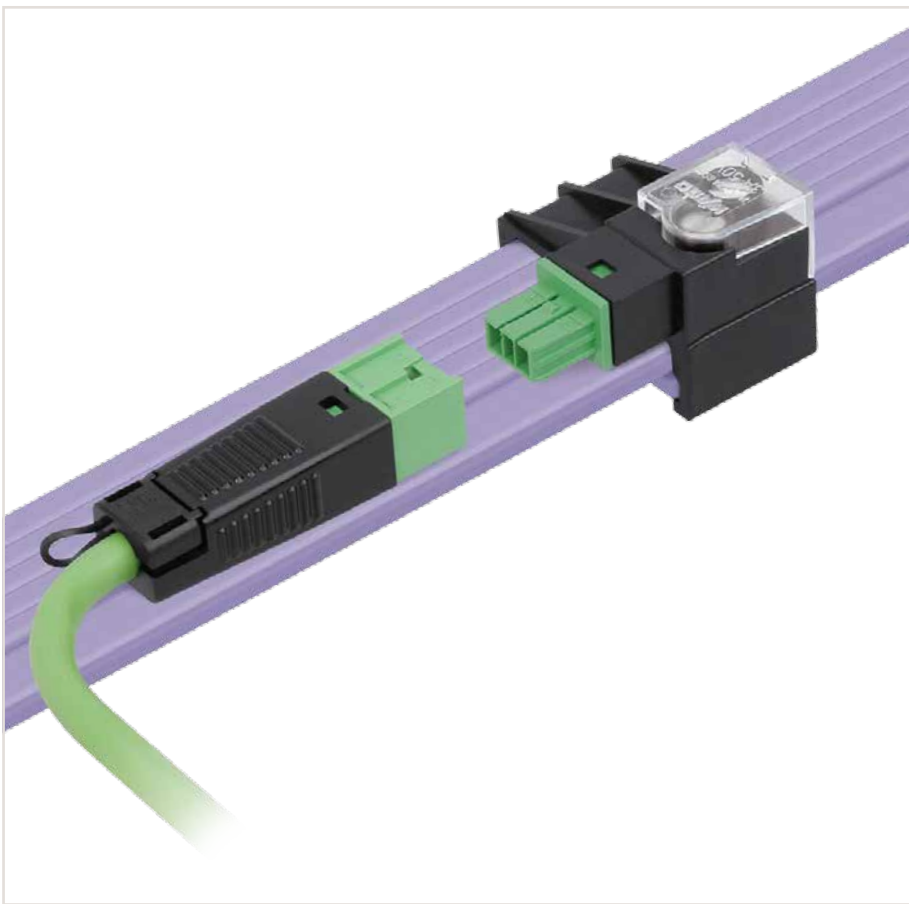
Connecting an installation cable to the supply module: Simply push stripped, solid conductors into unit. Open clamp via screwdriver to insert stripped, fine-stranded conductors.



Secure supply cable via strain relief housing.



Tighten strain relief screw using a screwdriver.



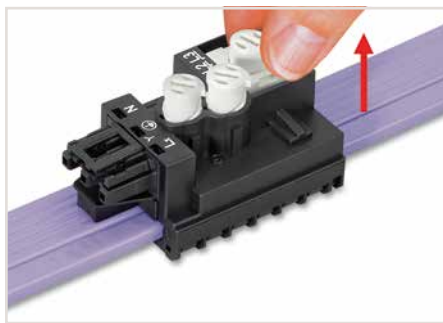
Tighten the screws to connect the flat cable. Observe 1 Nm of tightening torque!



Snap the transparent protective cover onto the module.



Notice: Should it be necessary to tap another phase, this must be done in a different location. To do so, the contact elements must be unscrewed and brought back to their original position.



Lift contact element to unlock phase selector and select the new phase. Notice: Do not reuse in the same location of the flat cable.



Use insulating tape to seal the contact holes in the flat cable after removing a module.

Supply Module/Tap-Off Module ► WINSTA® IDC ► Serie 772

for flat cable 5 x 2.5 mm², 5 x 4 mm², 5 x 2.5 mm² + 2 x 1.5 mm²



- Suitable for bus and power lines or for bus and power combined in one cable
- Easy installation without line interruption due to convenient insulation displacement technology (IDC)
- WINSTA® IDC Supply and Tap-Off Modules allow connection at any location of the flat cable – one rotation per pole is all that is required

Electrical Data

Ratings per	IEC/EN 60664-1		
Overvoltage category	III	III	II
Pollution degree	3	2	2
Rated voltage	400 V	-	-
Rated impulse voltage	6 kV	-	-
Rated current	25 A	-	-

Connection Data

Strip length	9 mm / 0.35 inch
Nominal cross section	4 mm ²
Solid conductor	0.5 ... 4 mm ² / 20 ... 12 AWG
Solid conductor, push-in termination	1.5 ... 4 mm ² / 16 ... 12 AWG
Stranded conductor	0.5 ... 2.5 mm ² / 20 ... 14 AWG
Fine-stranded conductor	0.5 ... 4 mm ² / 20 ... 12 AWG
Fine-stranded conductor with ferrule with plastic collar	0.25 ... 1.5 mm ² / 20 ... 16 AWG
Fine-stranded conductor with ferrule without plastic collar	0.25 ... 2.5 mm ² / 20 ... 14 AWG
Fine-stranded conductor with ferrule, push-in termination, from	1.5 mm ² / 16 AWG
Connection technology 2	IDC connection

Material Data

Insulating material	Polyamide 66 (PA 66)
Contact material	Copper or copper alloy; surface-treated

Mechanical Data

Mating force of a plug-in connection	approx. 30 ... 70 N (depending on pole number)
Unmating force of a plug-in connection	when unlocked: approx. 15 ... 20 N
Retention force of a plug-in connection	When locked: > 80 N
Protection class	IP20
Note on protection class	Only in mated condition (These compact connectors are not designed for use in open, easily accessible areas.)

Environmental Requirements

Processing temperature	-5 ... +40 °C
Continuous operating temperature	-35 ... +85 °C
Note on continuous service temperature	PVC cable for temperatures ≤ 70 °C (including halogen-free) PVC flat cable for temperatures -15 °C to ≤ 70 °C (including halogen-free) Insulating parts for temperatures ≤ 105 °C

All WINSTA® components are 100% protected against mismatching in terms of:

- plugging different number of poles
- plugging when turned by 180°
- plugging when laterally staggered
- plugging one pole

Tools Page 492

Wiring and connectors Page 491

Additional information, see "Technical Section"

Approvals and corresponding ratings, visit www.wago.com

Supply Module/Tap-Off Module ▶ WINSTA® IDC ▶ Serie 772 for flat cable 5 x 2.5 mm², 5 x 4 mm², 5 x 2.5 mm² + 2 x 1.5 mm²

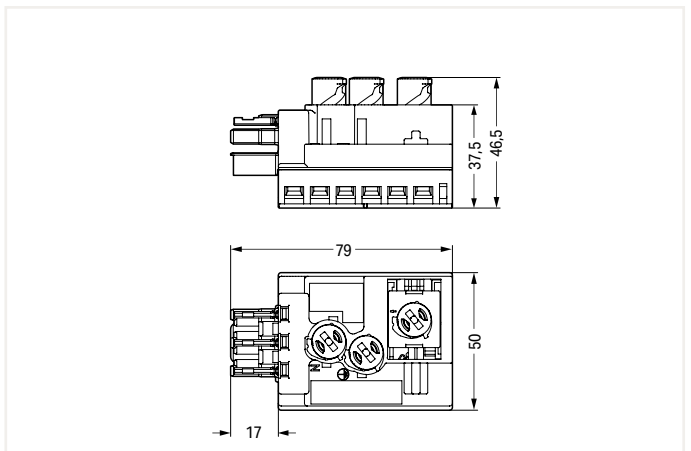
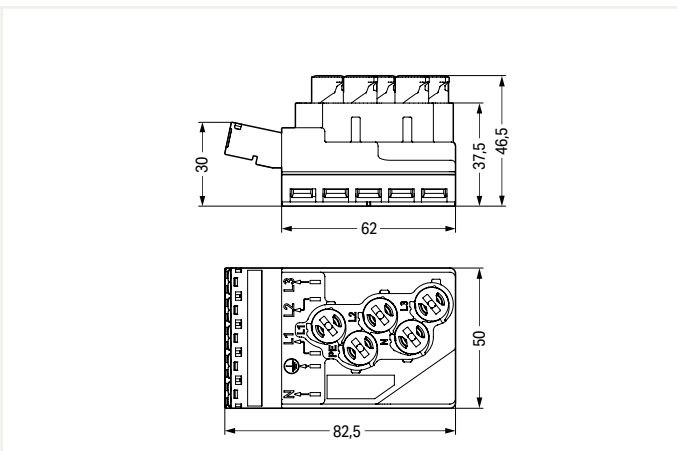
Supply module ▶ No. of poles: 5

Tap-off module ▶ No. of poles: 3



Color	Item Number	PU
● black	772-261	10
● blue	772-271	10
● red	772-267	10
● gray	772-264/060-000	10

Color	Item Number	PU
● black	772-263	10
● red	772-269	10
● gray	772-266/060-000	10



Item-Specific Accessories



Lockout cap; for socket; separable; No. of poles: 12

Color	Item Number	PU
● black	770-201	100
○ white	770-221	100

Accessories; for all products on this page



Mounting plate;

Color	Item Number	PU
● black	772-260	10

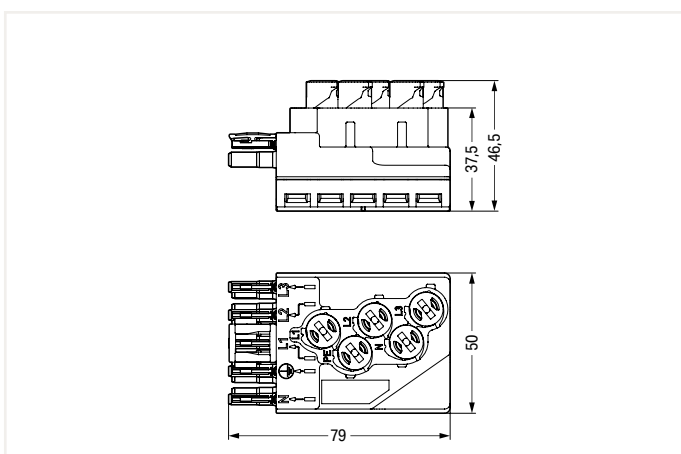
PU = Packaging Unit; SPU = Subpackaging Unit; Dimensions in mm

Supply Module/Tap-Off Module ▶ WINSTA® IDC ▶ Serie 772 for flat cable 5 x 2.5 mm², 5 x 4 mm², 5 x 2.5 mm² + 2 x 1.5 mm²

Tap-off module ▶ No. of poles: 5



Color	Item Number	PU
● black	772-262	10
● blue	772-272	10
● red	772-268	10
● gray	772-265/060-000	10



9

Accessories; for all products on this page



Lockout cap; for socket; separable; No. of poles: 12

Color	Item Number	PU
● black	770-201	100
○ white	770-221	100

Mounting plate;

Color	Item Number	PU
● black	772-260	10

PU = Packaging Unit; SPU = Subpackaging Unit; Dimensions in mm

Supply Module/Tap-Off Module ▶ WINSTA® IDC ▶ Serie 893

for flat cable 5 x 2.5 mm² + 2 x 1.5 mm² ▶ No. of poles: 2



- Suitable for bus and power lines or for bus and power combined in one cable
- Easy installation without line interruption due to convenient insulation displacement technology (IDC)
- WINSTA® IDC Supply and Tap-Off Modules allow connection at any location of the flat cable – one rotation per pole is all that is required

Electrical Data

Ratings per	IEC/EN 60664-1		
Overvoltage category	III	III	II
Pollution degree	3	2	2
Rated voltage	50 V	-	-
Rated impulse voltage	0. kV	-	-
Rated current	3 A	-	-

Connection Data

Strip length	5 ... 6 mm / 0.2 ... 0.24 inch
Conductor diameter	0.8 mm
Connection technology 2	IDC connection

Material Data

Insulating material	Polyamide 66 (PA 66)
Contact material	Copper or copper alloy; surface-treated
Reaction to fire class per EN 50575	E _{ca}

Mechanical Data

Number of mating cycles	200
Unmating force of a plug-in connection	when unlocked: approx. 15 ... 20 N
Retention force of a plug-in connection	When locked: > 80 N
Protection class	IP20
Note on protection class	Only in mated condition (These compact connectors are not designed for use in open, easily accessible areas.)

Environmental Requirements

Processing temperature	-5 ... +40 °C
Continuous operating temperature	-35 ... +85 °C
Note on continuous service temperature	PVC cable for temperatures ≤ 70 °C (including halogen-free) PVC flat cable for temperatures -15 °C to ≤ 70 °C (including halogen-free) Insulating parts for temperatures ≤ 105 °C

All WINSTA® components are 100% protected against mismatching in terms of:

- plugging different number of poles
- plugging when turned by 180°
- plugging when laterally staggered
- plugging one pole

Wiring and connectors Page 491

Additional information, see "Technical Section"

Approvals and corresponding ratings, visit www.wago.com

Supply Module/Tap-Off Module ▶ WINSTA® IDC ▶ Serie 893 for flat cable 5 x 2.5 mm² + 2 x 1.5 mm² ▶ No. of poles: 2

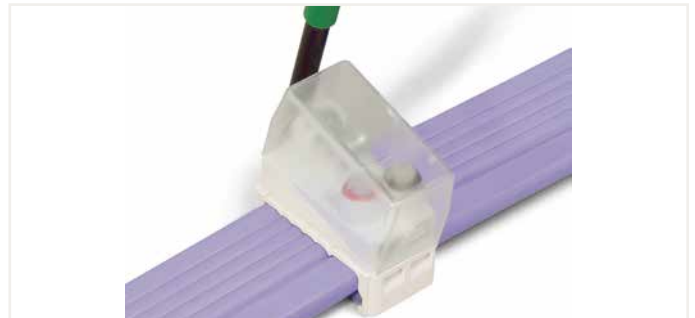
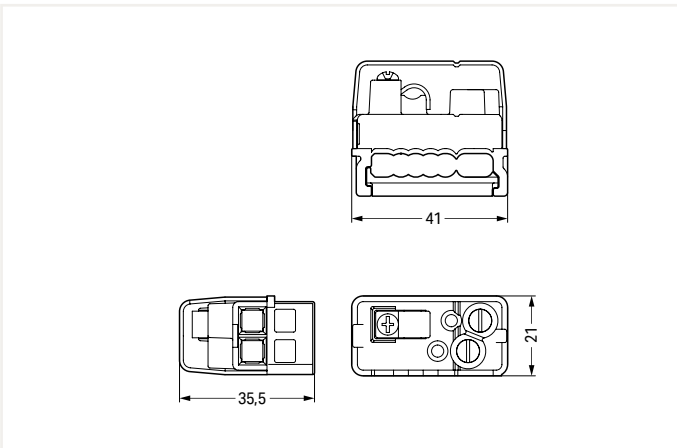
Supply module



Color	Item Number	PU
● gray	893-261	50



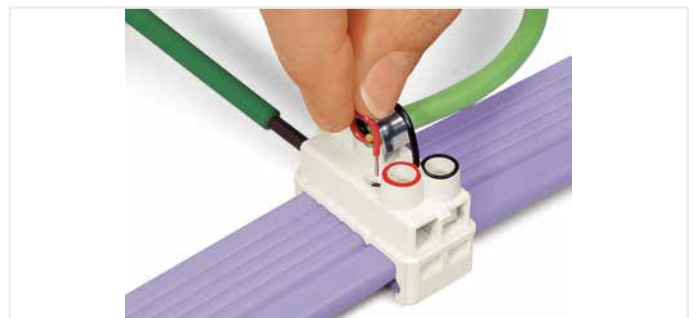
The IDC module can only be mounted if the two codings match each other. Should the IDC module jam during mounting, turn the module by 180° and remount it, flush with the base.



Remove transparent cover using a screwdriver.



Tighten the screws that are marked in red and black to connect the flat cable. Observe 1 Nm of tightening torque!



Secure bus cable via strain relief and terminate stripped conductors as shown in the picture.

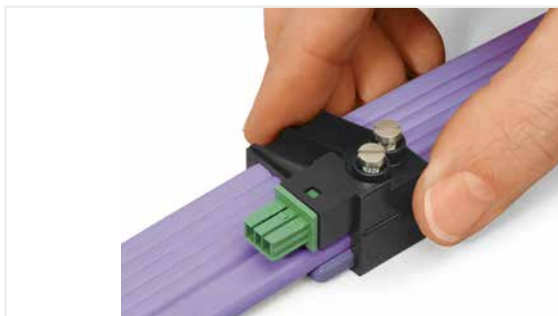
9

Supply Module/Tap-Off Module ▶ WINSTA® IDC ▶ Serie 893 for flat cable 5 x 2.5 mm² + 2 x 1.5 mm² ▶ No. of poles: 2

Tap-off module



Color	Item Number	PU
● green	893-262	50
○ light gray	893-269	50



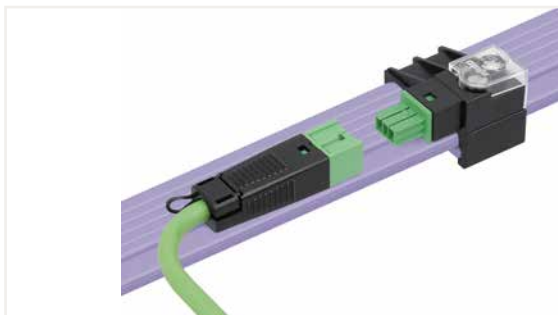
The IDC module can only be mounted if the two codings match each other. Should the IDC module jam during mounting, turn the module by 180° and remount it, flush with the base.



Tighten the screws to connect the flat cable. Observe 1 Nm of tightening torque!



Snap the transparent protective cover onto the module.



Connect the cable assembly to the module.

Supply Module/Tap-Off Module ▶ WINSTA® IDC ▶ Serie 893 for flat cable 2 x 1.5 mm² ▶ No. of poles: 2



- Suitable for bus and power lines or for bus and power combined in one cable
- Easy installation without line interruption due to convenient insulation displacement technology (IDC)
- WINSTA® IDC Supply and Tap-Off Modules allow connection at any location of the flat cable – one rotation per pole is all that is required

Electrical Data

Ratings per	IEC/EN 60664-1		
Overvoltage category	III	III	II
Pollution degree	3	2	2
Rated voltage	50 V	-	-
Rated impulse voltage	0. kV	-	-
Rated current	3 A	-	-

Connection Data

Connection technology	IDC
Strip length	5 ... 6 mm / 0.2 ... 0.24 inch
Conductor diameter	0.6 ... 0.8 mm

Material Data

Insulating material	Polyamide 66 (PA 66)
Contact material	Copper or copper alloy; surface-treated
Reaction to fire class per EN 50575	E _{ca}

Mechanical Data

Number of mating cycles	200
Unmating force of a plug-in connection	when unlocked: approx. 15 ... 20 N
Retention force of a plug-in connection	When locked: > 80 N
Protection class	IP20
Note on protection class	Only in mated condition (These compact connectors are not designed for use in open, easily accessible areas.)

Environmental Requirements

Processing temperature	-5 ... +40 °C
Continuous operating temperature	-35 ... +85 °C
Note on continuous service temperature	PVC cable for temperatures ≤ 70 °C (including halogen-free) PVC flat cable for temperatures -15 °C to ≤ 70 °C (including halogen-free) Insulating parts for temperatures ≤ 105 °C

All WINSTA® components are 100% protected against mismatching in terms of:

- plugging different number of poles
- plugging when turned by 180°
- plugging when laterally staggered
- plugging one pole

Wiring and connectors Page 492

Additional information, see "Technical Section"

Approvals and corresponding ratings, visit www.wago.com

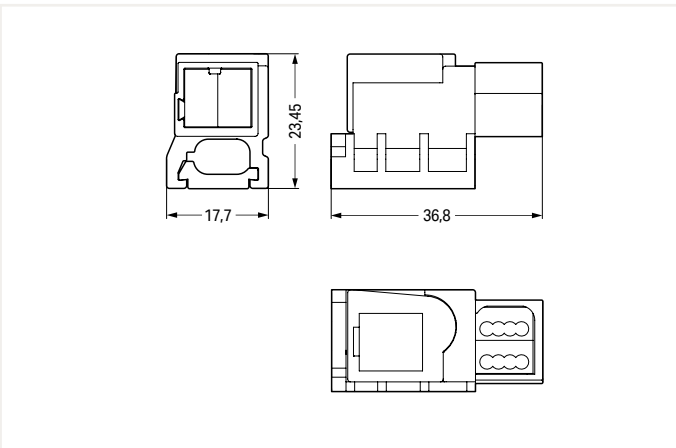
Supply Module/Tap-Off Module ▶ WINSTA® IDC ▶ Serie 893 for flat cable 2 x 1.5 mm² ▶ No. of poles: 2

Supply module



The IDC module can only be mounted if the two codings match each other. Should the IDC module jam during mounting, turn the module by 180° and remount it, flush with the base.

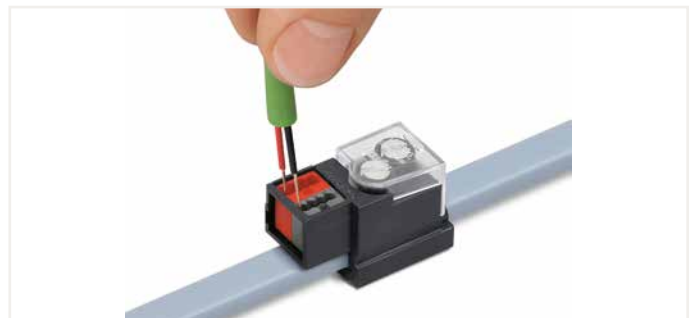
Color	Item Number	PU
● black	893-121	25



Tighten the screws to connect the flat cable. Observe 1 Nm of tightening torque!



Snap the transparent protective cover onto the module.



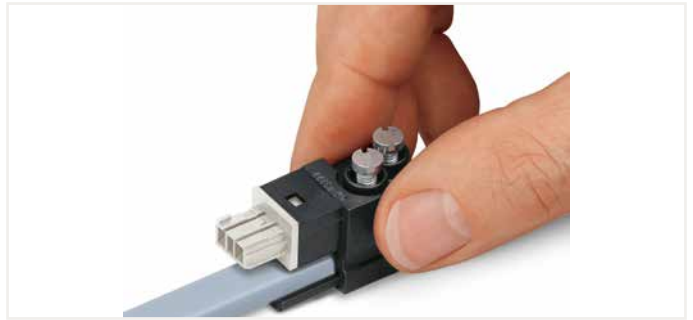
Terminate stripped, solid conductors by simply pushing them into unit until they hit backstop.

Supply Module/Tap-Off Module ▶ WINSTA® IDC ▶ Serie 893 for flat cable 2 x 1.5 mm² ▶ No. of poles: 2

Tap-off module



Color	Item Number	PU
○ light gray	893-129	50
● green	893-122	50



The IDC module can only be mounted if the two codings match each other. Should the IDC module jam during mounting, turn the module by 180° and remount it, flush with the base.



Tighten the screws to connect the flat cable. Observe 1 Nm of tightening torque!



Snap the transparent protective cover onto the module.



Connect the cable assembly to the module.

Sold & Serviced By:



Toll Free Phone (877) SERV098
www.electromate.com
sales@electromate.com

Supply Module/Tap-Off Module ▶ WINSTA® IDC ▶ Serie 896 for flat cable 3 x 2.5 mm²



- Suitable for bus and power lines or for bus and power combined in one cable
- Easy installation without line interruption due to convenient insulation displacement technology (IDC)
- WINSTA® IDC Supply and Tap-Off Modules allow connection at any location of the flat cable – one rotation per pole is all that is required

Electrical Data

Ratings per	IEC/EN 60664-1		
Overvoltage category	III	III	II
Pollution degree	3	2	2
Rated voltage	250 V	-	-
Rated impulse voltage	4 kV	-	-
Rated current	24 A	-	-

Connection Data

Connection technology	Screw clamp connection
Connection technology 2	IDC connection

Material Data

Insulating material	Polyamide 66 (PA 66)
Contact material	Copper or copper alloy; surface-treated

Mechanical Data

Number of mating cycles	200, without resistive load 100, with resistive load $I_N = 25$ A, tested (4 mm ² /AWG 12)
Mating force of a plug-in connection	approx. 30 ... 70 N (depending on pole number)
Protection class	IP20

Environmental Requirements

Processing temperature	-5 ... +40 °C
Continuous operating temperature	-35 ... +85 °C

All WINSTA® components are 100% protected against mismatching in terms of:

- plugging different number of poles
- plugging when turned by 180°
- plugging when laterally staggered
- plugging one pole

Wiring and connectors Page 492

Additional information, see "Technical Section"

Approvals and corresponding ratings, visit www.wago.com

Sold & Serviced By:

 **ELECTROMATE**

Toll Free Phone (877) SERV098

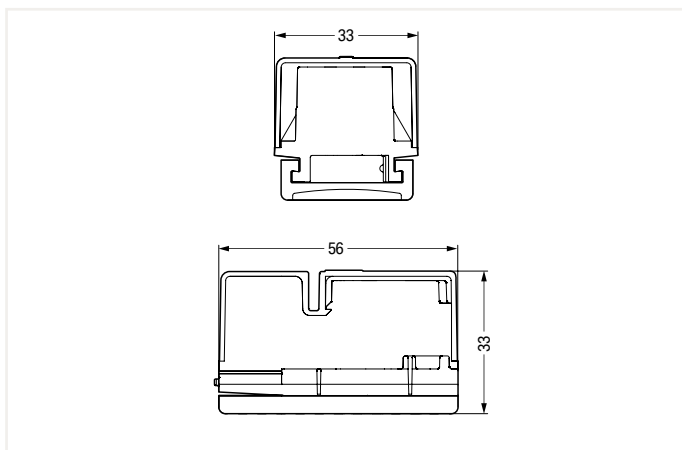
www.electromate.com
sales@electromate.com

Supply Module/Tap-Off Module ▶ WINSTA® IDC ▶ Serie 896 for flat cable 3 x 2.5 mm²

Supply module ▶ No. of poles: 3



Color	Item Number	PU
● gray	896-231	10



Sold & Serviced By:

 **ELECTROMATE**

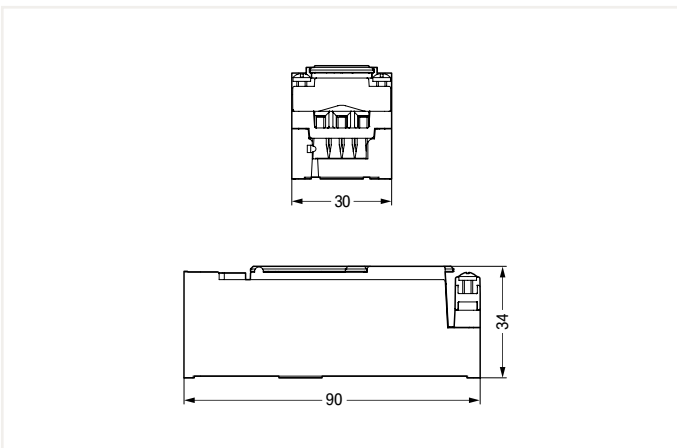
Toll Free Phone (877) SERV098
www.electromate.com
sales@electromate.com

Supply Module/Tap-Off Module ▶ WINSTA® IDC ▶ Serie 896 for flat cable 3 x 2.5 mm²

Tap-off module ▶ No. of poles: 3



Color	Item Number	PU
● gray	896-232	10



Position the base and tighten screw, if necessary. Insert flat cable accurately. The key in the base must match the groove in the cable insulation.



Cut outgoing feeder cable, completely strip and insert conductors. Tighten screws firmly (observe 0.7 Nm of tightening torque).



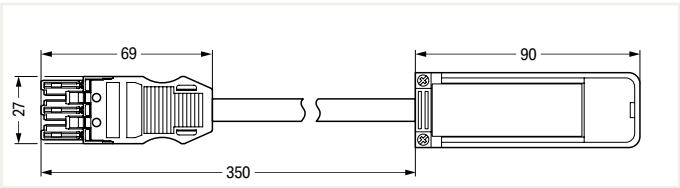
Insert upper part into base until it hits the stop (which will click when engaged). Push down and lock lever. All three cores are contacted simultaneously.

Supply Module/Tap-Off Module ▶ WINSTA® IDC ▶ Serie 896 for flat cable 3 x 2.5 mm²

Cable assembly



Color	Item Number	PU
● black	896-233	1
○ white	896-234	1



Supply Module/Tap-Off Module ► WINSTA® IDC ► Serie 895 for flat cable 5 x 10 mm² ► No. of poles: 5



- Suitable for bus and power lines or for bus and power combined in one cable
- Easy installation without line interruption due to convenient insulation displacement technology (IDC)
- WINSTA® IDC Supply and Tap-Off Modules allow connection at any location of the flat cable – one rotation per pole is all that is required

Electrical Data

Main product function	Supply module			Tap-off module		
Ratings per	IEC/EN 60664-1					
Overvoltage category	III	III	II	III	III	II
Pollution degree	3	2	2	3	2	2
Rated voltage	750 V	-	-	690 V	-	-
Rated impulse voltage	8 kV	-	-	8 kV	-	-
Rated current	57 A	-	-	32 A	-	-

Material Data

Insulating material	Polyamide 66 (PA 66)
Contact material	Copper or copper alloy; surface-treated

Mechanical Data

Number of mating cycles	200, without resistive load 100, with resistive load $I_N = 25$ A, tested (4 mm ² /AWG 12)
Mating force of a plug-in connection	approx. 30 ... 70 N (depending on pole number)
Unmating force of a plug-in connection	when unlocked: approx. 15 ... 20 N
Retention force of a plug-in connection	When locked: > 80 N
Protection class	IP20
Note on protection class	Only in mated condition (These compact connectors are not designed for use in open, easily accessible areas.)

Environmental Requirements

Processing temperature	-5 ... +40 °C
Continuous operating temperature	-35 ... +85 °C
Note on continuous service temperature	PVC cable for temperatures ≤ 70 °C (including halogen-free) PVC flat cable for temperatures -15 °C to ≤ 70 °C (including halogen-free) Insulating parts for temperatures ≤ 105 °C

All WINSTA® components are 100% protected against mismatching in terms of:

- plugging different number of poles
- plugging when turned by 180°
- plugging when laterally staggered
- plugging one pole

Wiring and connectors Page 492

Additional information, see "Technical Section"

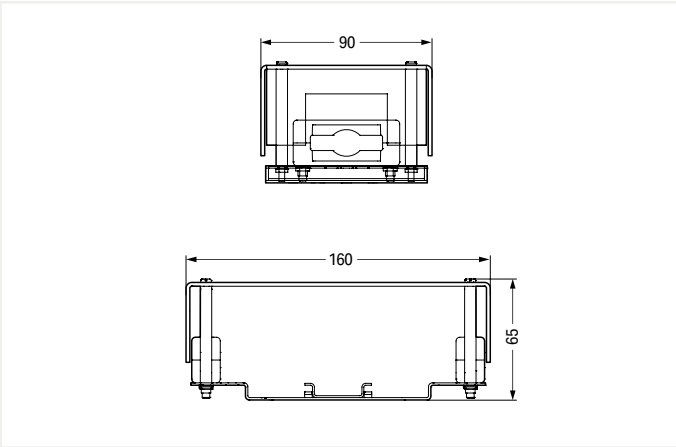
Approvals and corresponding ratings, visit www.wago.com

Supply Module/Tap-Off Module ▶ WINSTA® IDC ▶ Serie 895 for flat cable 5 x 10 mm² ▶ No. of poles: 5

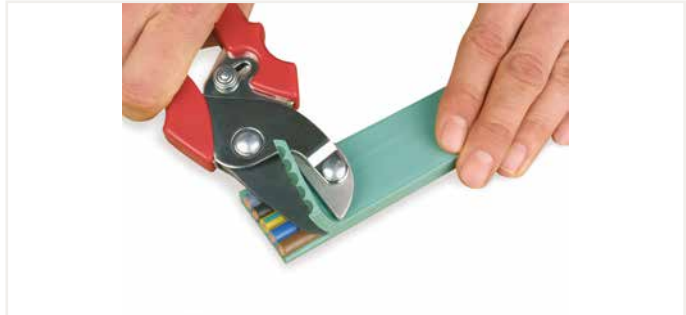
Supply module



Color	Item Number	PU
○ transparent	895-1051	1



Cut both sides of the flat cable insulation using a stripping knife (observe 30 mm of cutting length).



Cut off insulation via cutter.



Push end cover fully onto the conductor ends.

Sold & Serviced By:

 Toll Free Phone (877) SERV098
www.electromate.com
sales@electromate.com

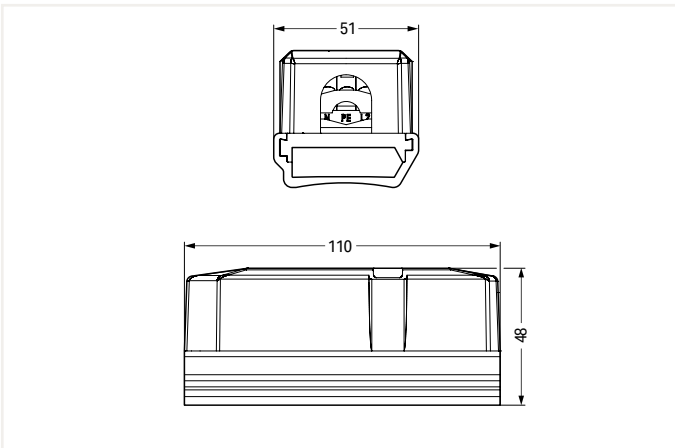
PU = Packaging Unit; SPU = Subpackaging Unit; Dimensions in mm

Supply Module/Tap-Off Module ▶ WINSTA® IDC ▶ Serie 895 for flat cable 5 x 10 mm² ▶ No. of poles: 5

Tap-off module



Color	Item Number	PU
○ transparent	895-1052	25



Supply Module/Tap-Off Module ▶ WINSTA® IDC ▶ Serie 895

for flat cable 5 x 16 mm² ▶ No. of poles: 5



- Suitable for bus and power lines or for bus and power combined in one cable
- Easy installation without line interruption due to convenient insulation displacement technology (IDC)
- WINSTA® IDC Supply and Tap-Off Modules allow connection at any location of the flat cable – one rotation per pole is all that is required

Electrical Data						
Main product function	Supply module			Tap-off module		
Ratings per	IEC/EN 60664-1					
Overvoltage category	III	III	II	III	III	II
Pollution degree	3	2	2	3	2	2
Rated voltage	690 V	-	-	690 V	-	-
Rated impulse voltage	8 kV	-	-	8 kV	-	-
Rated current	76 A	-	-	41 A	-	-
Connection Data						
Connection technology	Screw clamp connection					
Connection technology 2	IDC connection					
Material Data						
Insulating material	Polyamide 66 (PA 66)					
Contact material	Copper or copper alloy; surface-treated					
Mechanical Data						
Number of mating cycles	200, without resistive load 100, with resistive load $I_N = 25$ A, tested (4 mm ² /AWG 12)					
Mating force of a plug-in connection	approx. 30 ... 70 N (depending on pole number)					
Unmating force of a plug-in connection	when unlocked: approx. 15 ... 20 N					
Retention force of a plug-in connection	When locked: > 80 N					
Protection class	IP20					
Note on protection class	IP65 with cable gland/filler plug					
Environmental Requirements						
Processing temperature	-5 ... +40 °C					
Continuous operating temperature	-35 ... +85 °C					
Note on continuous service temperature	PVC cable for temperatures ≤ 70 °C (including halogen-free) PVC flat cable for temperatures -15 °C to ≤ 70 °C (including halogen-free) Insulating parts for temperatures ≤ 105 °C					

All WINSTA® components are 100% protected against mismatching in terms of:

- plugging different number of poles
- plugging when turned by 180°
- plugging when laterally staggered
- plugging one pole

Wiring and connectors Page 493

Additional information, see "Technical Section"

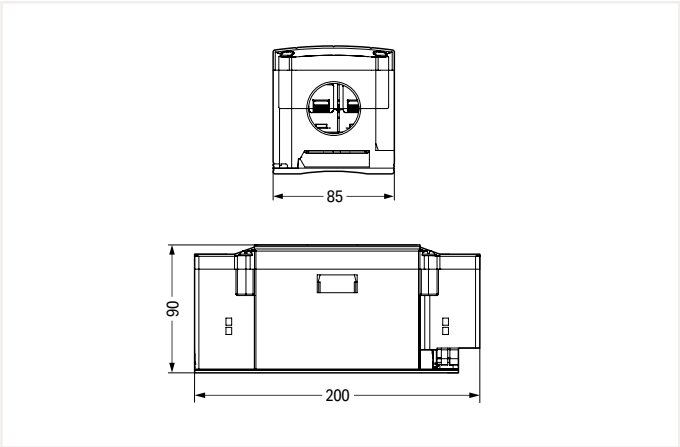
Approvals and corresponding ratings, visit www.wago.com

Supply Module/Tap-Off Module ▶ WINSTA® IDC ▶ Serie 895 for flat cable 5 x 16 mm² ▶ No. of poles: 5

Supply module



Color	Item Number	PU
● black	895-1651	1



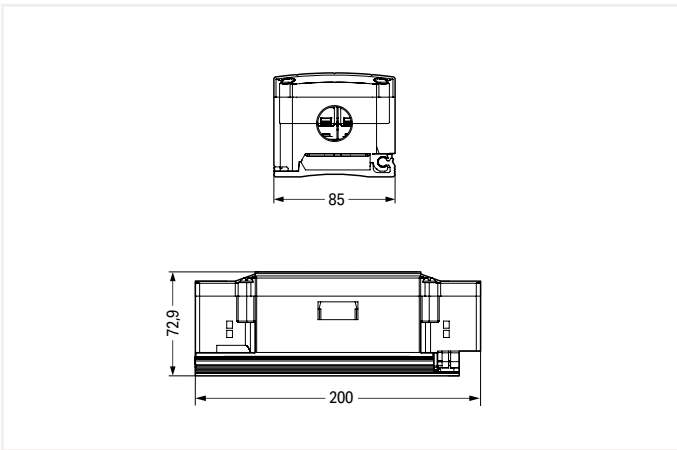
Supply Module/Tap-Off Module ▶ WINSTA® IDC ▶ Serie 895 for flat cable 5 x 16 mm² ▶ No. of poles: 5

Tap-off module

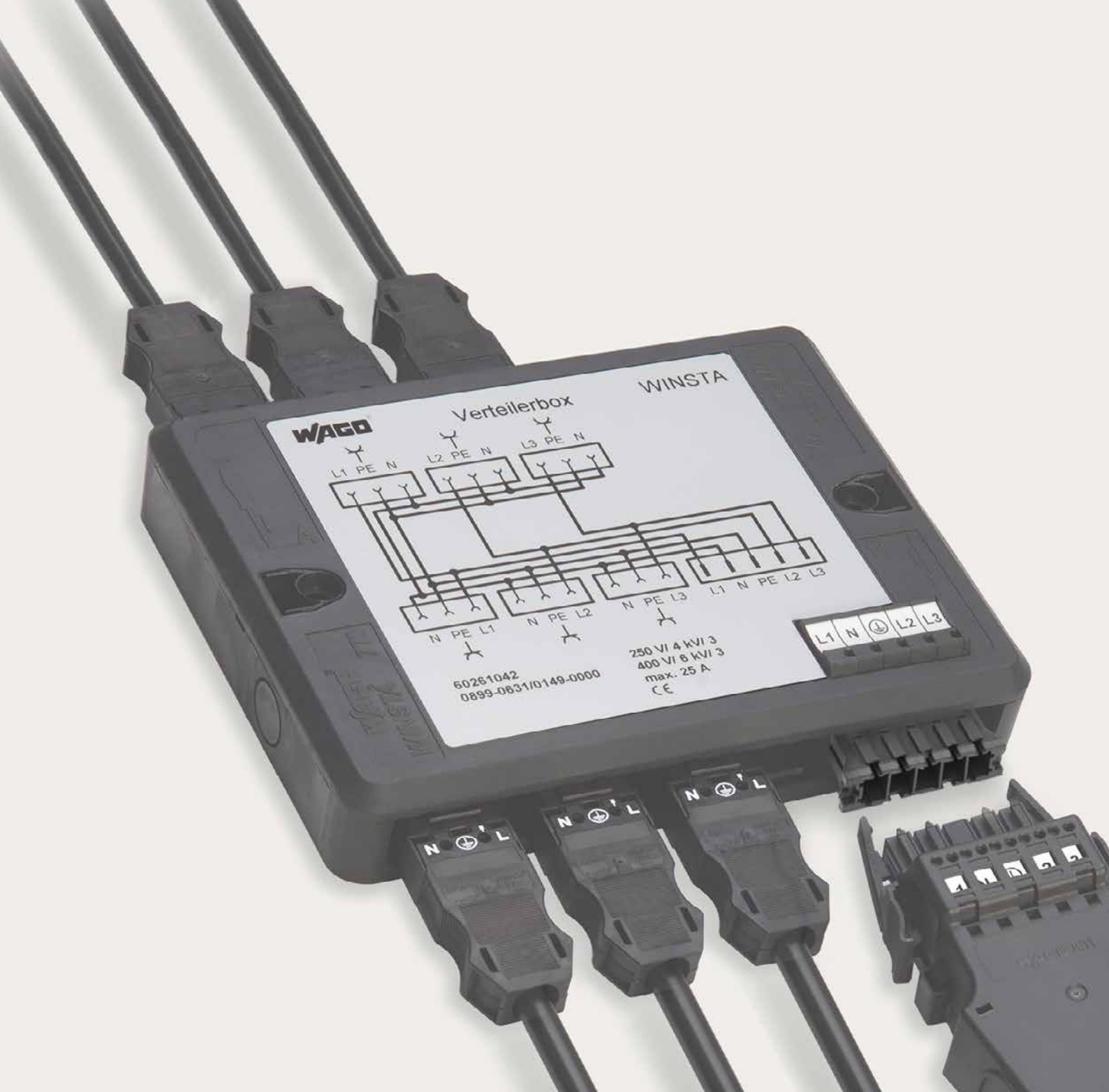


Tighten the screws to the stop to connect the flat cable (observe the tightening torque!)

Color	Item Number	PU
● black	895-1652	1





Red contact clips confirm that the contacts are made correctly when they are flush with the terminals.



WAGO Pluggable Connection System WINSTA® Boxes

WAGO Pluggable Connection System WINSTA® Boxes ▶ 899 Series

	Page	
	899 Series	
	Single-Phase Current (230 V)	441
	Three-Phase Current (400 V)	446
	Three-Phase to Single-Phase Current (400 V/230 V)	446
	Supply Cable Entry	450
	DALI	453
	SMI	456
	Motion and Presence Detectors	457
	On/Off Switching	458
	Series Switching	459
	Changeover Switching	460
	Crossover Switching	461
	Cable and Device Protection	461
	Latching Relay	462
	Relay Switching	463
	Distribution Box for Self-Assembly	464

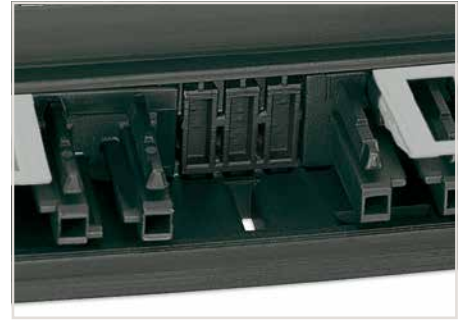
WINSTA® Boxes ▶ 899 Series System Description and Installation



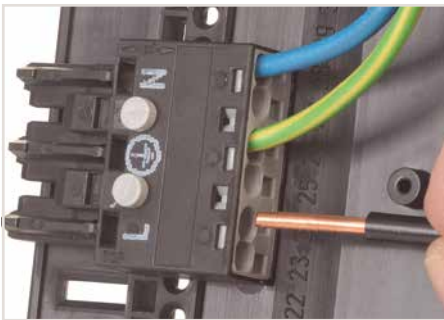
The set includes: 1 bottom, 1 lid, 2 sidewalls and 16 mounting pins.



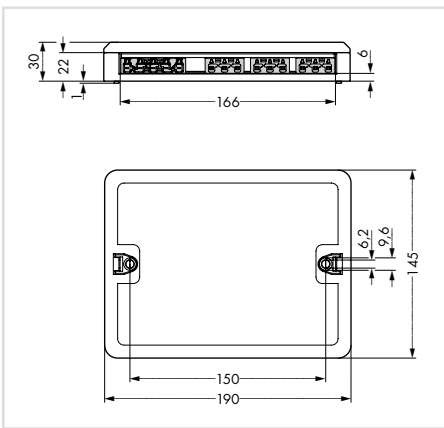
Remove unrequired areas from the sidewalls.



Unassigned slots and spaces are closed by inserting a sidewall.



Using mounting pins to secure WINSTA® MIDI and WINSTA® MIDI special connectors in a distribution box.



Dimensions of a WINSTA® Box

10



Securing the mounting plate with WINSTA® Box to the wall (e.g., via stud gun).



Using adapters to install WINSTA® MINI und WINSTA® MINI special connectors in a distribution box.



Custom-made WINSTA® Box

WINSTA® Boxes ▶ 899 Series

Single-Phase Current (230 V)

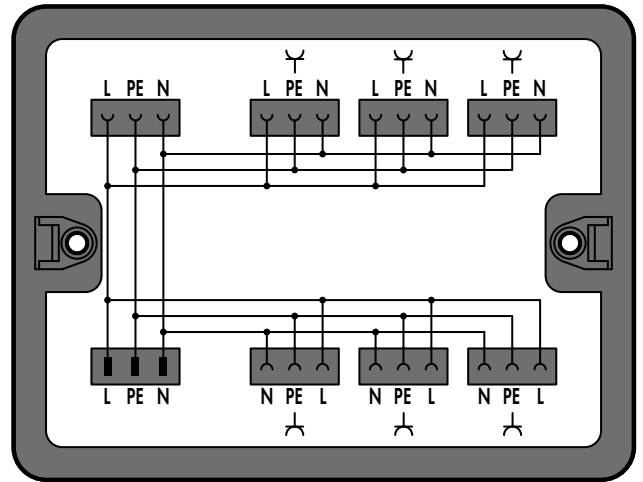
1 Input; 7 Outputs; A-Coding; WINSTA® MIDI

Description

This WINSTA® Box duplicates the outputs of a 3-pole, single-phase cable.

Technical Data

Rated voltage (III / 3)	250 V
Rated impulse voltage (III / 3)	4 kV
Rated current	25 A
Internal wiring	4 mm ²



Distribution box; single-phase current (230 V)

Color	Item No.	Pack. Unit
● black	899-631/104-000	1

Single-phase current (230 V)

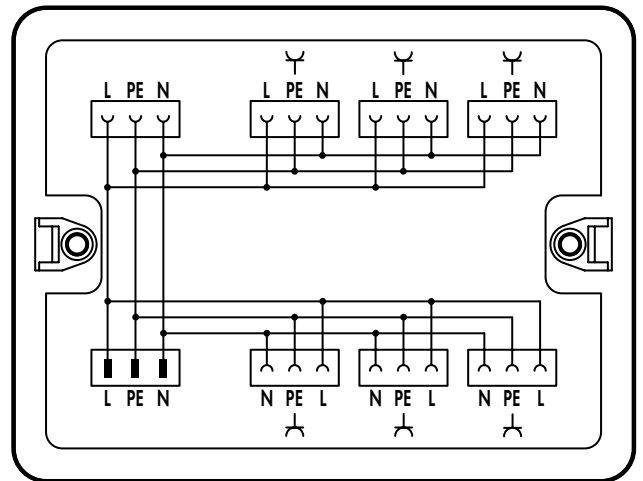
1 Input; 7 Outputs; A-Coding; WINSTA® MIDI

Description

This WINSTA® Box duplicates the outputs of a 3-pole, single-phase cable.

Technical Data

Rated voltage (III / 3)	250 V
Rated impulse voltage (III / 3)	4 kV
Rated current	25 A
Internal wiring	4 mm ²



Distribution box; single-phase current (230 V)

Color	Item No.	Pack. Unit
○ white	899-681/104-000	1

(III / 3) ≙ Overvoltage category III / Pollution degree 3

Accessories, 899 Series Page 486

Coding Overview Page 502

Approvals, see www.wago.com

WINSTA® Boxes ▶ 899 Series

Single-Phase Current (230 V)

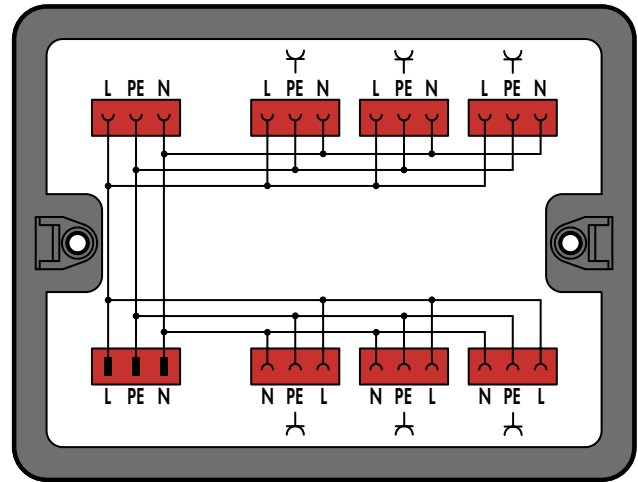
1 Input; 7 Outputs; P-Coding; WINSTA® MIDI

Description

This WINSTA® Box duplicates the outputs of a 3-pole, single-phase cable.

Technical Data

Rated voltage (III / 3)	250 V
Rated impulse voltage (III / 3)	4 kV
Rated current	25 A
Internal wiring	4 mm ²



Distribution box; single-phase current (230 V)

Color	Item No.	Pack. Unit
● black	899-631/330-000	1

Single-phase current (230 V)

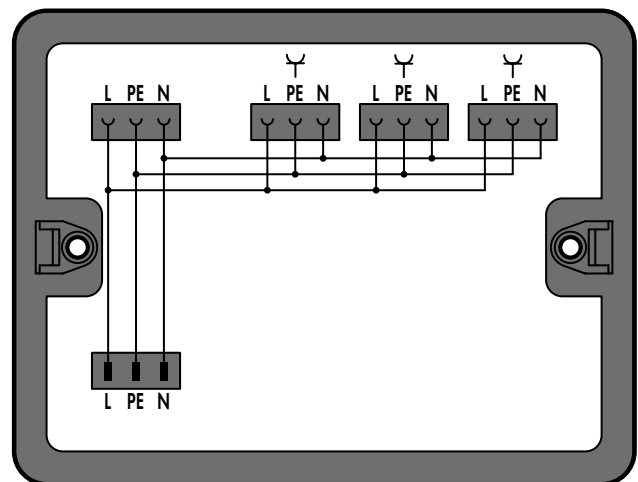
1 Input; 4 Outputs; A-Coding; WINSTA® MIDI

Description

This WINSTA® Box duplicates the outputs of a 3-pole, single-phase cable.

Technical Data

Rated voltage (III / 3)	250 V
Rated impulse voltage (III / 3)	4 kV
Rated current	20 A
Internal wiring	2.5 mm ² (halogen-free)



Distribution box; single-phase current (230 V)

Color	Item No.	Pack. Unit
● black	899-631/476-000	1

(III / 3) ≙ Overvoltage category III / Pollution degree 3

Accessories, 899 Series Page 486

Coding Overview Page 502

Approvals, see www.wago.com

WINSTA® Boxes ▶ 899 Series

Single-Phase Current (230 V)

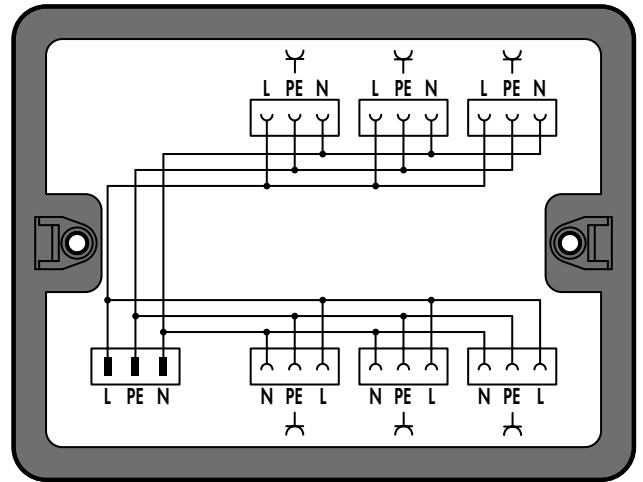
1 Input; 6 Outputs; A-Coding; WINSTA® MIDI

Description

This WINSTA® Box duplicates the outputs of a 3-pole, single-phase cable.

Technical Data

Rated voltage (III / 3)	250 V
Rated impulse voltage (III / 3)	4 kV
Rated current	25 A
Internal wiring	4 mm ²



Distribution box; single-phase current (230 V)		
Color	Item No.	Pack. Unit
● black	899-631/395-000	1

Single-phase current (230 V)

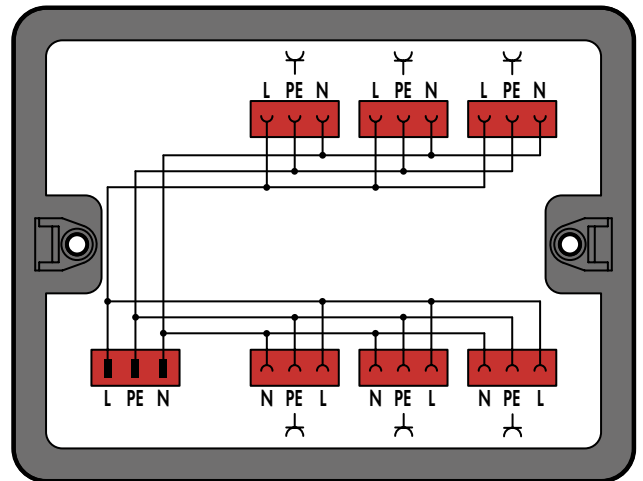
1 Input; 6 Outputs; P-Coding; WINSTA® MIDI

Description

This WINSTA® Box duplicates the outputs of a 3-pole, single-phase cable.

Technical Data

Rated voltage (III / 3)	250 V
Rated impulse voltage (III / 3)	4 kV
Rated current	25 A
Internal wiring	4 mm ²



Distribution box; single-phase current (230 V)		
Color	Item No.	Pack. Unit
● black	899-631/331-000	1

10

WINSTA® Boxes ▶ 899 Series

Single-Phase Current (230 V)

1 Input; 13 Outputs; A-Coding; WINSTA® MIDI

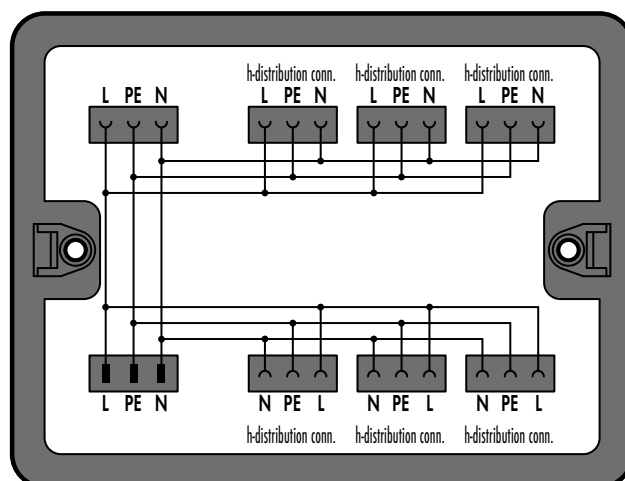
Description

This WINSTA® Box duplicates the outputs of a 3-pole, single-phase cable.

Includes: Six h-distribution connectors (770-634)

Technical Data

Rated voltage (III / 3)	250 V
Rated impulse voltage (III / 3)	4 kV
Rated current	25 A
Internal wiring	4 mm ²



Distribution box; single-phase current (230 V)

Color	Item No.	Pack. Unit
● black	899-631/334-000	1

Single-phase current (230 V)

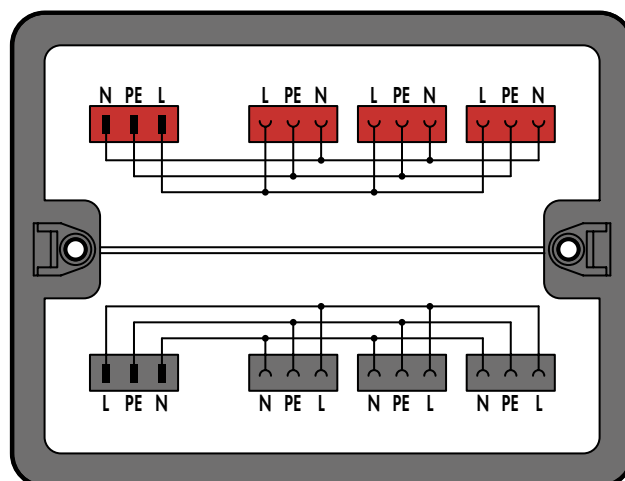
2 Inputs; 6 Outputs; A-, P-Coding; WINSTA® MIDI

Description

This WINSTA® Box features two different 3-pole, single-phase circuits (e.g., for general power, EDP outlets, and UPS systems). Both networks are provided with differently encoded connectors. Three-pole connecting cables are provided for both power input and output.

Technical Data

Rated voltage (III / 3)	250 V
Rated impulse voltage (III / 3)	4 kV
Rated current	25 A
Internal wiring	4 mm ²



Distribution box; single-phase current (230 V)

Color	Item No.	Pack. Unit
● black	899-631/311-000	1

(III / 3) ≙ Overvoltage category III /
Pollution degree 3

Accessories, 899 Series Page 486

Coding Overview Page 502

Approvals, see www.wago.com

WINSTA® Boxes ▶ 899 Series

Single-Phase Current (230 V)

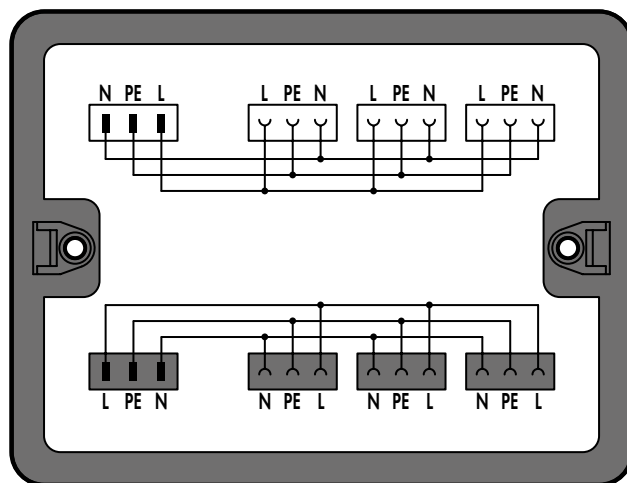
2 Inputs; 6 Outputs; A-Coding; WINSTA® MIDI

Description

This WINSTA® Box features two different 3-pole, single-phase circuits (e.g., for general power, EDP outlets, and UPS systems). Both networks are provided with differently encoded connectors. Three-pole connecting cables are provided for both power input and output.

Technical Data

Rated voltage (III / 3)	250 V
Rated impulse voltage (III / 3)	4 kV
Rated current	25 A
Internal wiring	4 mm ²



Distribution box; single-phase current (230 V)

Color	Item No.	Pack. Unit
● black	899-631/327-000	1

Single-phase current (230 V)

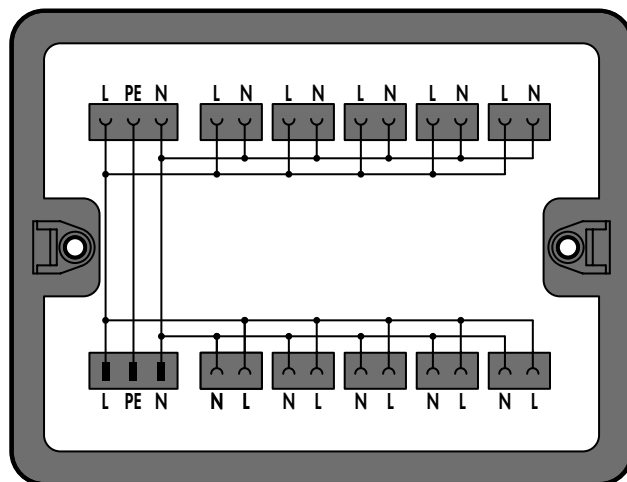
1 Input; 11 Outputs; A-Coding; WINSTA® MIDI

Description

This WINSTA® Box features a 3-pole transmission line and ten 2-pole outputs.

Technical Data

Rated voltage (III / 3)	250 V
Rated impulse voltage (III / 3)	4 kV
Rated current	16 A
Internal wiring	1.5 mm ² (halogen-free)



Distribution box; single-phase current (230 V)

Color	Item No.	Pack. Unit
● black	899-631/477-000	1

WINSTA® Boxes ▶ 899 Series

Three-Phase Current (400 V)

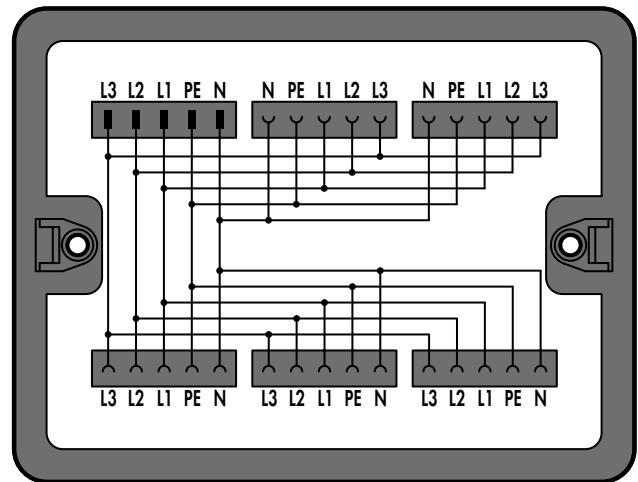
1 Input; 5 Outputs; A-Coding; WINSTA® MIDI

Description

This WINSTA® Box duplicates the outputs of a 5-pole, three-phase cable.

Technical Data

Rated voltage (III / 3)	400 V
Rated impulse voltage (III / 3)	6 kV
Rated current	25 A
Internal wiring	4 mm ²



Distribution box; three-phase current (400 V)

Color	Item No.	Pack. Unit
● black	899-631/187-000	1

Three-Phase to Single-Phase Current (400 V/230 V)

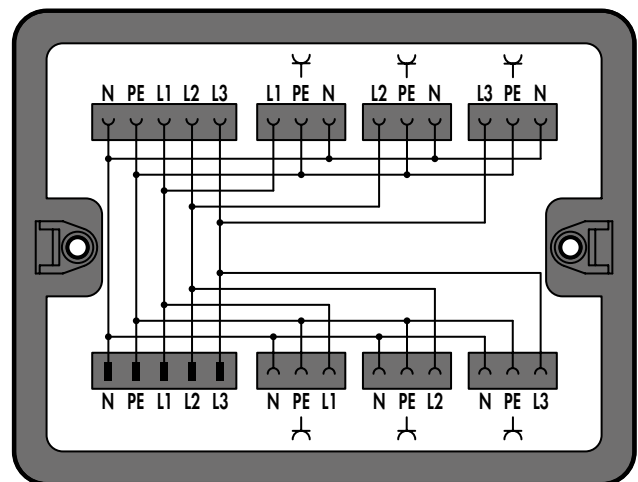
1 Input; 7 Outputs; A-Coding; WINSTA® MIDI

Description

The phases L₁, L₂ and L₃ of the three-phase current are divided into three single-phase circuits with two outputs each.

Technical Data

Rated voltage (III / 3)	250 V / 400 V
Rated impulse voltage (III / 3)	4 kV / 6 kV
Rated current	25 A
Internal wiring	4 mm ²



Distribution box; three-phase to single-phase current (400 V / 230 V)

Color	Item No.	Pack. Unit
● black	899-631/100-000	1

(III / 3) ≙ Overvoltage category III /
Pollution degree 3

Accessories, 899 Series Page 486

Coding Overview Page 502

Approvals, see www.wago.com

WINSTA® Boxes ▶ 899 Series

Three-Phase to Single-Phase Current (400 V / 230 V)

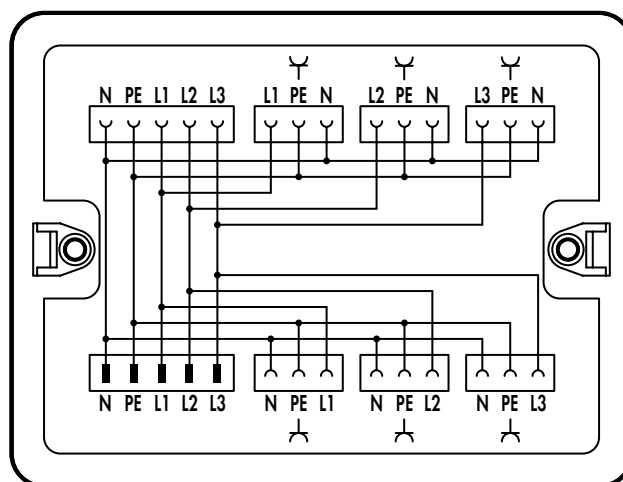
1 Input; 7 Outputs; A-Coding; WINSTA® MIDI

Description

The phases L₁, L₂ and L₃ of the three-phase current are divided into three single-phase circuits with two outputs each.

Technical Data

Rated voltage (III / 3)	250 V / 400 V
Rated impulse voltage (III / 3)	4 kV / 6 kV
Rated current	25 A
Internal wiring	4 mm ²



Distribution box; three-phase to single-phase current (400 V / 230 V)

Color	Item No.	Pack. Unit
○ white	899-681/100-000	1

Distribution; Three-Phase to Single-Phase Current (400 V / 230 V)

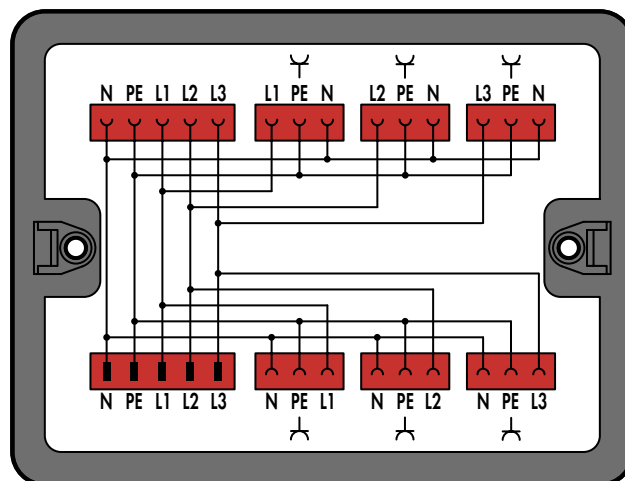
1 Input; 7 Outputs; P-Coding; WINSTA® MIDI

Description

The phases L₁, L₂ and L₃ of the three-phase current are divided into three single-phase circuits with two outputs each.

Technical Data

Rated voltage (III / 3)	250 V / 400 V
Rated impulse voltage (III / 3)	4 kV / 6 kV
Rated current	25 A
Internal wiring	4 mm ²



Distribution box; three-phase to single-phase current (400 V / 230 V)

Color	Item No.	Pack. Unit
● black	899-631/186-000	1

WINSTA® Boxes ▶ 899 Series**Three-Phase to Single-Phase Current (400 V / 230 V)**

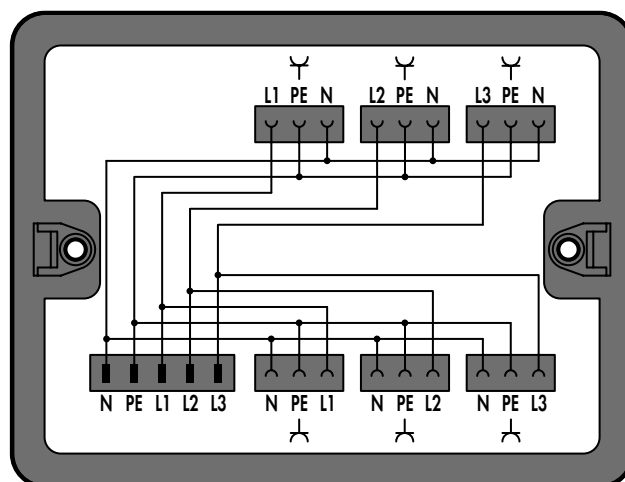
1 Input; 6 Outputs; A-Coding; WINSTA® MIDI

Description

The phases L₁, L₂ and L₃ of the three-phase current are divided into three single-phase circuits with two outputs each.

Technical Data

Rated voltage (III / 3)	250 V / 400 V
Rated impulse voltage (III / 3)	4 kV / 6 kV
Rated current	25 A
Internal wiring	4 mm ²



Distribution box; three-phase to single-phase current (400 V / 230 V)

Color	Item No.	Pack. Unit
● black	899-631/105-000	1

Three-Phase to Single-Phase Current (400 V/230 V)

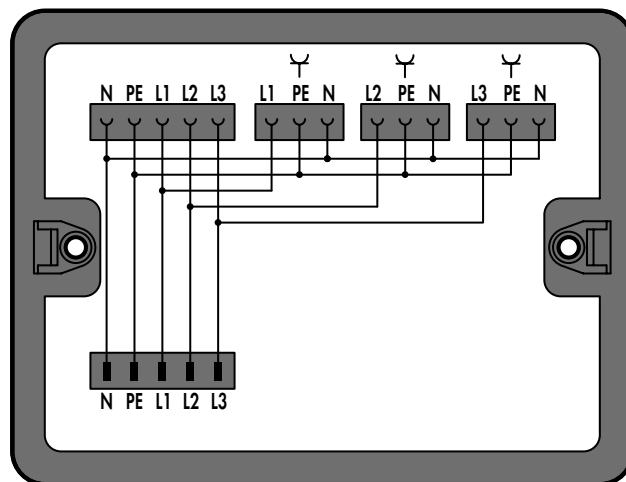
1 Input; 4 Outputs; A-Coding; WINSTA® MIDI

Description

The phases L₁, L₂ and L₃ of the three-phase current are divided into three single-phase circuits with one output each.

Technical Data

Rated voltage (III / 3)	250 V / 400 V
Rated impulse voltage (III / 3)	4 kV / 6 kV
Rated current	25 A
Internal wiring	4 mm ²



Distribution box; three-phase to single-phase current (400 V / 230 V)

Color	Item No.	Pack. Unit
● black	899-631/346-000	1

(III / 3) ≙ Overvoltage category III /
Pollution degree 3

Accessories, 899 Series Page 486

Coding Overview Page 502

Approvals, see www.wago.com

WINSTA® Boxes ▶ 899 Series

Three-Phase to Single-Phase Current (400 V / 230 V)

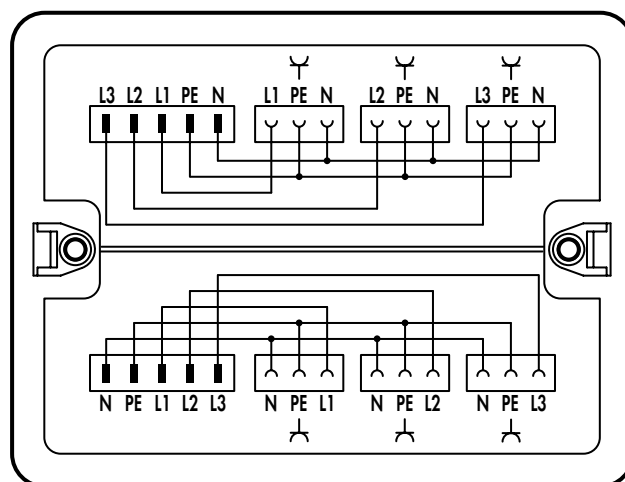
2 Inputs; 6 Outputs; A-Coding; WINSTA® MIDI

Description

This WINSTA® Box divides two 3-phase circuits into three single-phase circuits each (e.g., 230 V and EDP outlets).

Technical Data

Rated voltage (III / 3)	250 V / 400 V
Rated impulse voltage (III / 3)	4 kV / 6 kV
Rated current	20 A
Internal wiring	2.5 mm ² (halogen-free)



Distribution box; three-phase to single-phase current (400 V / 230 V)		
Color	Item No.	Pack. Unit
<input type="radio"/> white	899-681/144-000	1

Three-Phase to Single-Phase Current (400 V/230 V)

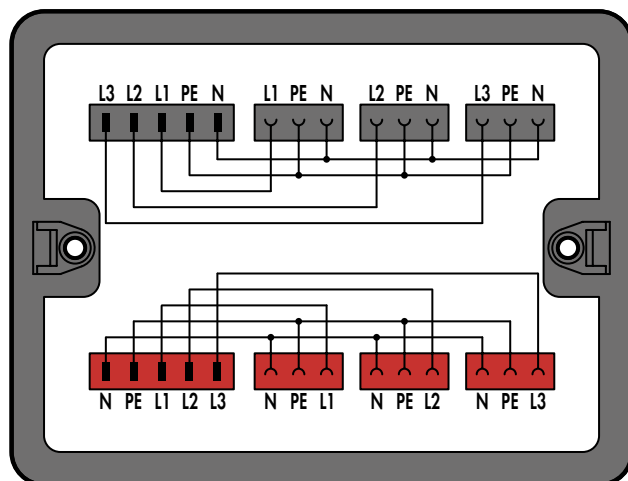
2 Inputs; 6 Outputs; A-, P-Coding; WINSTA® MIDI

Description

This WINSTA® Box divides two 3-phase circuits into three single-phase circuits each (e.g., 230 V and EDP outlets).

Technical Data

Rated voltage (III / 3)	250 V / 400 V
Rated impulse voltage (III / 3)	4 kV / 6 kV
Rated current	25 A
Internal wiring	4 mm ²



Distribution box; three-phase to single-phase current (400 V / 230 V)		
Color	Item No.	Pack. Unit
<input checked="" type="radio"/> black	899-631/302-000	1

10

WINSTA® Boxes ▶ 899 Series**Three-Phase to Single-Phase Current (400 V / 230 V)**

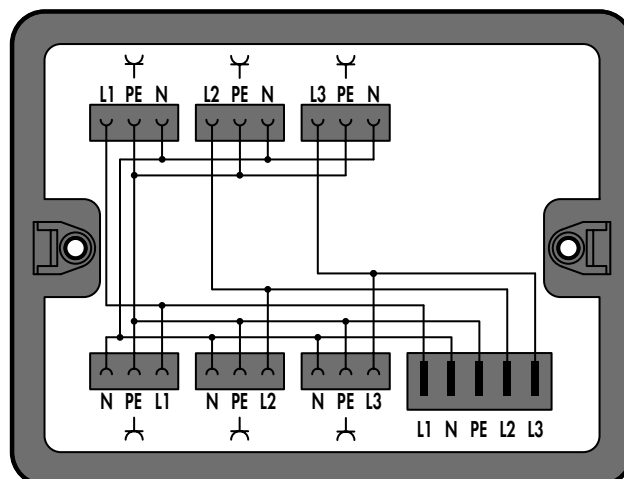
1 Input; 6 Outputs; A-Coding; WINSTA® MIDI; WINSTA® MAXI

Description

This WINSTA® Box divides a 3-phase circuit into three single-phase circuits with two outputs each. Power supply is performed via 6 mm² cable equipped with a WINSTA® MAXI connector.

Technical Data

Rated voltage (III / 3)	250 V / 400 V
Rated impulse voltage (III / 3)	4 kV / 6 kV
Rated current	25 A
Internal wiring	4 mm ²



Distribution box; three-phase to single-phase current (400 V / 230 V)

Color	Item No.	Pack. Unit
● black	899-631/149-000	1

Three-Phase to Single-Phase Current (400 V/230 V)

Supply Cable Entry; 1 Input; 6 Outputs; A-Coding; WINSTA® MIDI

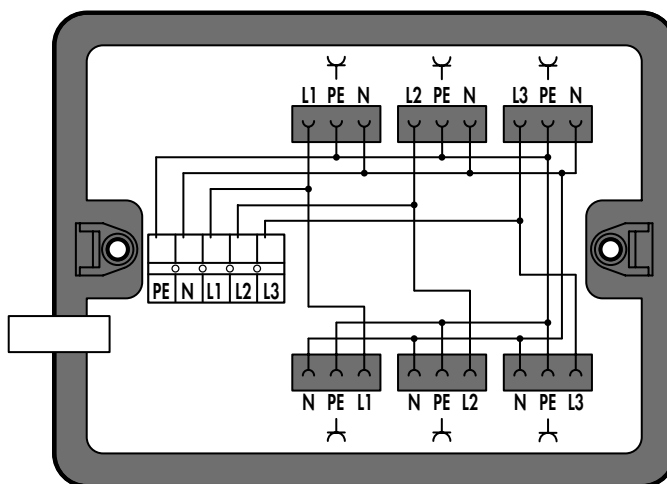
Description

Power supply is performed via standard 5-pole terminal strip. The phases L₁, L₂, and L₃ of the three-phase current are divided into three single-phase circuits with two outputs each.

Includes: One cable clamp and two mounting screws

Technical Data

Rated voltage (III / 3)	250 V / 400 V
Rated impulse voltage (III / 3)	4 kV / 6 kV
Rated current	25 A
Internal wiring	4 mm ²



Distribution box; three-phase to single-phase current (400 V / 230 V)

Color	Item No.	Pack. Unit
● black	899-631/338-000	1

(III / 3) ≙ Overvoltage category III /
Pollution degree 3

Accessories, 899 Series Page 486

Coding Overview Page 502

Approvals, see www.wago.com

WINSTA® Boxes ▶ 899 Series

Three-Phase to Single-Phase Current (400 V / 230 V)

Supply Cable Entry; 1 Input; 6 Outputs; A-Coding; WINSTA® MIDI

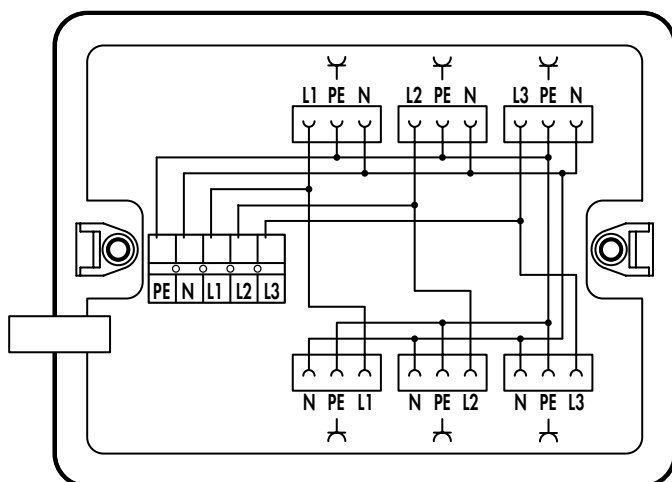
Description

Power supply is performed via standard 5-pole terminal strip. The phases L₁, L₂ and L₃ of the three-phase current are divided into three single-phase circuits with two outputs each.

Includes: One cable clamp and two mounting screws

Technical Data

Rated voltage (III / 3)	250 V / 400 V
Rated impulse voltage (III / 3)	4 kV / 6 kV
Rated current	25 A
Internal wiring	4 mm ²



Distribution box; three-phase to single-phase current (400 V / 230 V)

Color	Item No.	Pack. Unit
○ white	899-681/123-000	1

Supply Cable Entry

Supply Cable Entry; 1 Input; 6 Outputs; P-Coding; WINSTA® MIDI

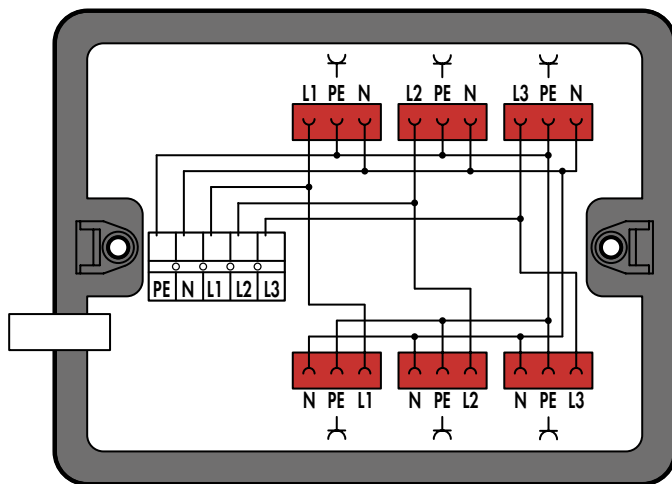
Description

Power supply is performed via standard 5-pole terminal strip. The phases L₁, L₂ and L₃ of the three-phase current are divided into three single-phase circuits with two outputs each.

Includes: One cable clamp and two mounting screws

Technical Data

Rated voltage (III / 3)	250 V / 400 V
Rated impulse voltage (III / 3)	4 kV / 6 kV
Rated current	25 A
Internal wiring	4 mm ²



Distribution box; three-phase to single-phase current (400 V / 230 V)

Color	Item No.	Pack. Unit
● black	899-631/339-000	1

WINSTA® Boxes ▶ 899 Series

Supply Cable Entry

6 Outputs; A-Coding; WINSTA® MIDI

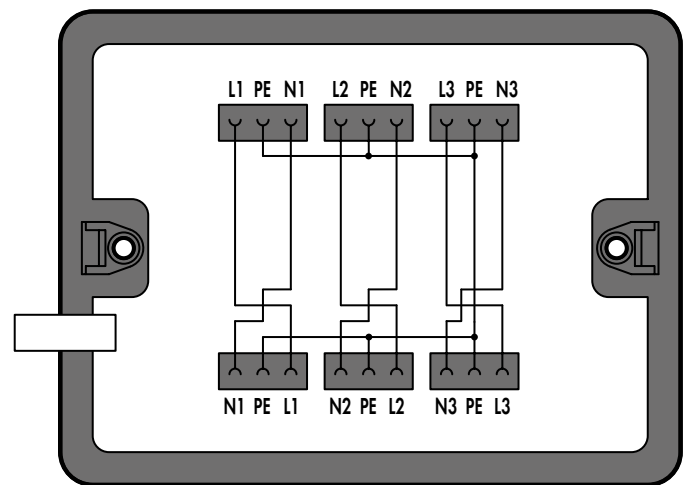
Description

Power supply is performed directly via connectors using a 7-pole cable.
Each phase of the 3-phase current are divided into two outputs.
Power supply is performed to the left or to the right.

Includes: Two cable clamps and four mounting screws

Technical Data

Rated voltage (III / 3)	250 V / 400 V
Rated impulse voltage (III / 3)	4 kV / 6 kV
Rated current	25 A
Internal wiring	4 mm ²



Distribution box; supply cable entry

Color	Item No.	Pack. Unit
● black	899-631/450-000	1

Supply Cable Entry

4 Outputs; A-Coding; WINSTA® MIDI

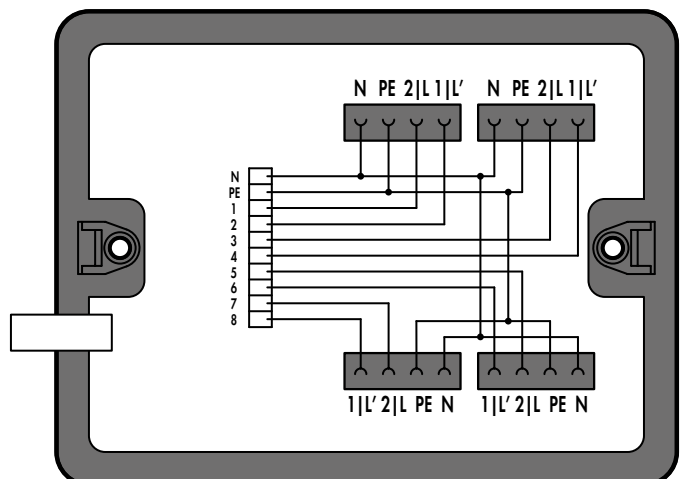
Description

Power supply is performed via 10-pole cable on a terminal strip.
Application example:
Blind drives control

Includes: One cable clamp and two mounting screws

Technical Data

Rated voltage (III / 3)	250 V / 400 V
Rated impulse voltage (III / 3)	4 kV / 6 kV
Rated current	16 A
Internal wiring	1.5 mm ² (halogen-free)



Distribution box; supply cable entry

Color	Item No.	Pack. Unit
● black	899-631/453-000	1

(III / 3) ≙ Overvoltage category III /
Pollution degree 3

Accessories, 899 Series Page 486

Coding Overview Page 502

Approvals, see www.wago.com

WINSTA® Boxes ▶ 899 Series

Supply Cable Entry

8 Outputs; B-Coding; WINSTA® MINI special

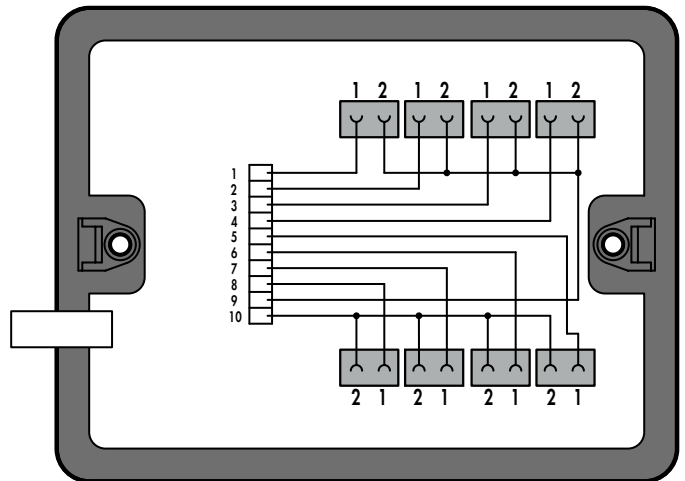
Description

Power supply is performed via 10-pole cable on a terminal strip.
Application example:
Valves control

Includes: One cable clamp and two mounting screws

Technical Data

Rated voltage (III / 3)	250 V
Rated impulse voltage (III / 3)	4 kV
Rated current	6 A
Internal wiring	0.75 mm ²



Distribution box; supply cable entry

Color	Item No.	Pack. Unit
● black	899-631/454-000	1

230 V + DALI

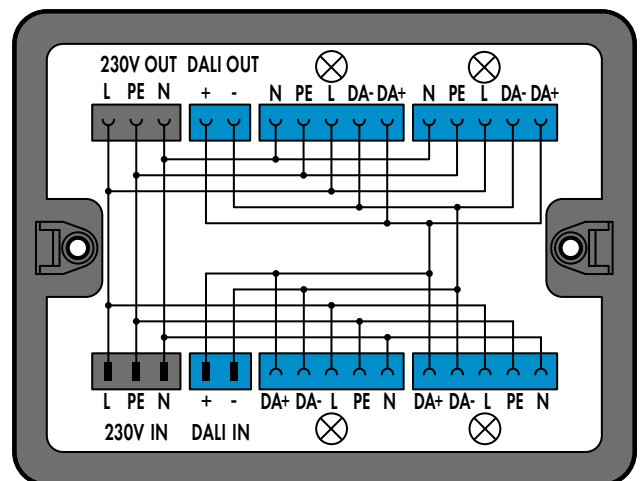
2 Inputs; 6 Outputs; A-, I-Coding; WINSTA® MINI; WINSTA® MIDI

Description

This WINSTA® Box connects 5-pole DALI lights.
Power supply is performed via two cables (230 V and DALI). Both cables are combined into four outputs.

Technical Data

Rated voltage (III / 3)	250 V
Rated impulse voltage (III / 3)	4 kV
Rated current	25 A / 16 A
Internal wiring	4 mm ² / 1.5 mm ²



Distribution box; 230 V + DALI

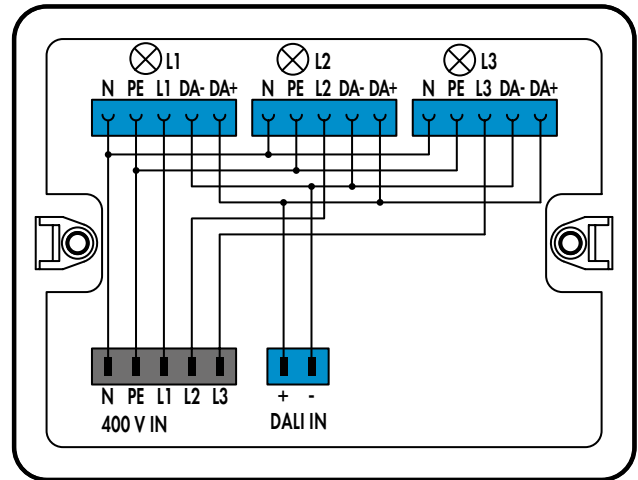
Color	Item No.	Pack. Unit
● black	899-631/181-000	1

WINSTA® Boxes ▶ 899 Series**400 V + DALI**2 Inputs; 3 Outputs; A-, I-Coding; *WINSTA®* MINI; *WINSTA®* MIDI**Description**

This *WINSTA®* Box combines the L1, L2 and L3 phases of the 3-phase current with the DALI signal (separate cable).

Technical Data

Rated voltage (III / 3)	400 V
Rated impulse voltage (III / 3)	6 kV
Rated current	20 A / 16 A
Internal wiring	2.5 mm ² / 1.5 mm ² (halogen-free)

**Distribution box; 400 V + DALI**

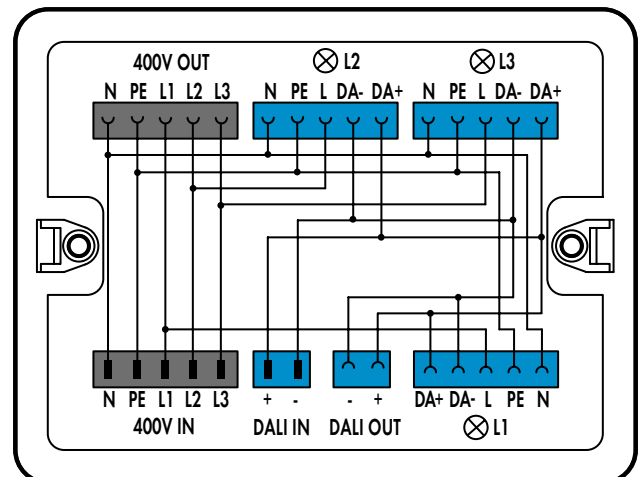
Color	Item No.	Pack. Unit
<input type="radio"/> white	899-681/145-000	1

400 V + DALI2 Inputs; 5 Outputs; A-, I-Coding; *WINSTA®* MINI; *WINSTA®* MIDI**Description**

This *WINSTA®* Box combines the L1, L2 and L3 phases of the 3-phase current with the DALI signal (separate cable).

Technical Data

Rated voltage (III / 3)	250 V / 400 V
Rated impulse voltage (III / 3)	4 kV / 6 kV
Rated current	20 A / 16 A
Internal wiring	2.5 mm ² / 1.5 mm ² (halogen-free)

**Distribution box; 400 V + DALI**

Color	Item No.	Pack. Unit
<input type="radio"/> white	899-681/147-000	1

(III / 3) ≙ Overvoltage category III /
Pollution degree 3

Accessories, 899 Series Page 486

Coding Overview Page 502

Approvals, see www.wago.com

WINSTA® Boxes ▶ 899 Series**400 V + DALI**

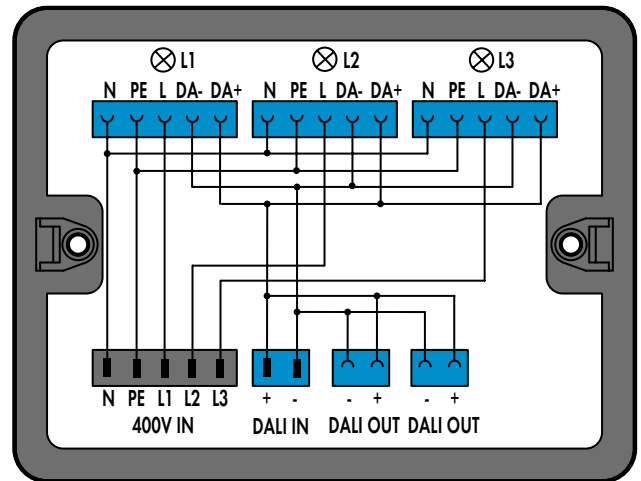
2 Inputs; 5 Outputs; A-, I-Coding; WINSTA® MINI; WINSTA® MIDI

Description

This WINSTA® Box combines the L1, L2 and L3 phases of the 3-phase current with the DALI signal (separate cable).

Technical Data

Rated voltage (III / 3)	250 V / 400 V
Rated impulse voltage (III / 3)	4 kV / 6 kV
Rated current	20 A / 16 A
Internal wiring	2.5 mm ² / 1.5 mm ² (halogen-free)

**Distribution box; 400 V + DALI**

Color	Item No.	Pack. Unit
● black	899-631/455-000	1

230 V + DALI

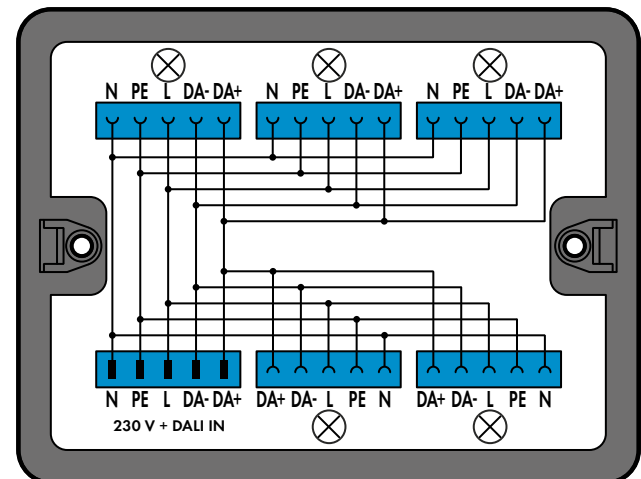
1 Input; 5 Outputs; I-Coding; WINSTA® MIDI

Description

This WINSTA® Box connects 5-pole DALI lights. Both 230 V power supply and DALI bus for light scene control are combined into a single line.

Technical Data

Rated voltage (III / 3)	250 V
Rated impulse voltage (III / 3)	4 kV
Rated current	20 A / 16 A
Internal wiring	2.5 mm ² / 1.5 mm ² (halogen-free)

**Distribution box; 230 V + DALI**

Color	Item No.	Pack. Unit
● black	899-631/313-000	1

WINSTA® Boxes ▶ 899 Series

230 V + DALI

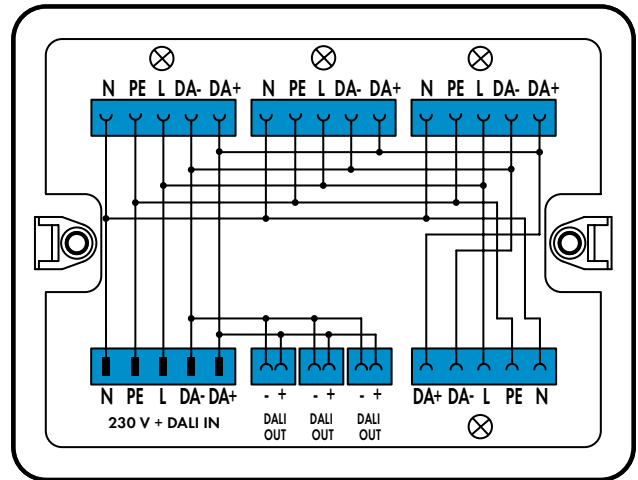
1 Input; 7 Outputs; A-, I-Coding; WINSTA® MINI; WINSTA® MIDI

Description

This WINSTA® Box connects 5-pole DALI lights. Both 230 V power supply and DALI bus for light scene control are combined into a single line. Additionally, three isolated DALI signals are available.

Technical Data

Rated voltage (III / 3)	250 V / 400 V
Rated impulse voltage (III / 3)	4 kV / 6 kV
Rated current	20 A / 16 A
Internal wiring	2.5 mm ² / 1.5 mm ² (halogen-free)



Distribution box; 230 V + DALI		
Color	Item No.	Pack. Unit
○ white	899-681/146-000	1

230 V + SMI

2 Inputs, 6 Outputs, A-, B-Coding

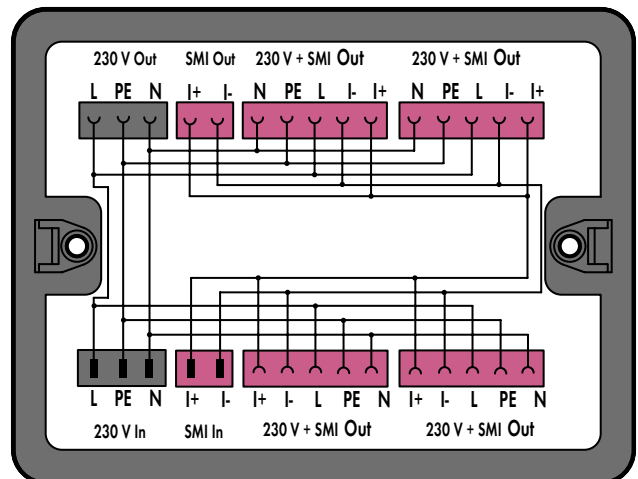
Description

This WINSTA® Box connects to 5-pole SMI drives. Power supply is performed via two cables (230 V and SMI).

WINSTA® MINI special
WINSTA® MIDI
WINSTA® MIDI special

Technical Data

Rated voltage (III / 3)	250 V
Rated impulse voltage (III / 3)	4 kV
Rated current	25 A / 16 A
Internal wiring	4 mm ² / 1.5 mm ²



Distribution box; 230 V + SMI		
Color	Item No.	Pack. Unit
● black	899-631/405-000	1

(III / 3) ≙ Overvoltage category III / Pollution degree 3

Accessories, 899 Series	Page 486
Coding Overview	Page 502
Approvals, see www.wago.com	

10

WINSTA® Boxes ▶ 899 Series**230 V + SMI**

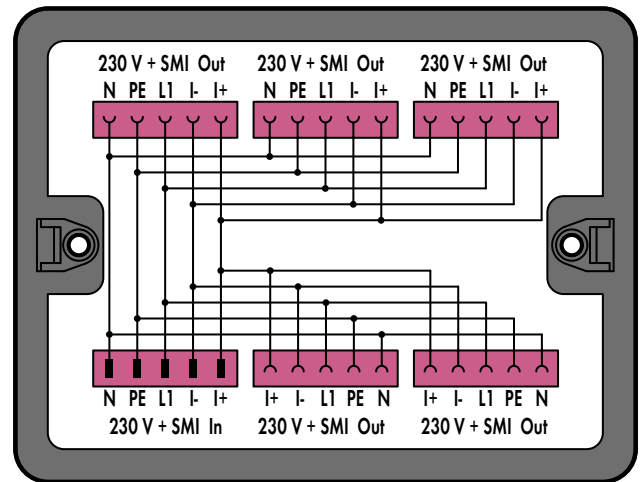
1 Input; 5 Outputs; B-Coding, WINSTA® MIDI special

Description

This WINSTA® Box connects to 5-pole SMI drives; 230 V power supply and SMI signal are combined into a single line.

Technical Data

Rated voltage (III / 3)	250 V
Rated impulse voltage (III / 3)	4 kV
Rated current	20 A / 16 A
Internal wiring	2.5 mm ² / 1.5 mm ² (halogen-free)

**Distribution box; 230 V + SMI**

Color	Item No.	Pack. Unit
● black	899-631/421-000	1

Motion/Presence Detector

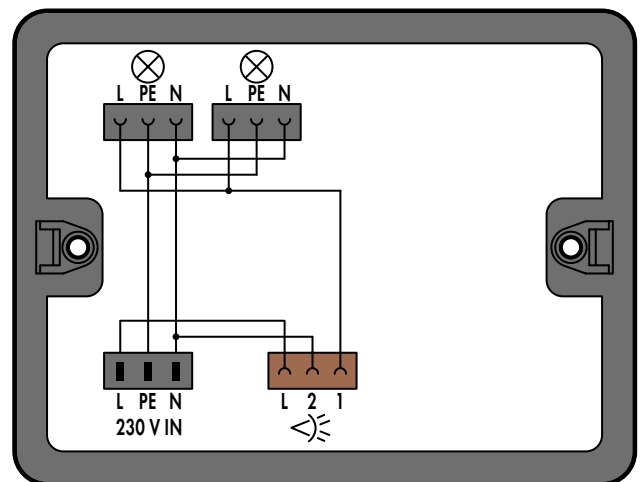
1 Input; 3 Outputs; A-, S-Coding; WINSTA® MIDI

Description

This WINSTA® Box connects to one motion detector and two lights.

Technical Data

Rated voltage (III / 3)	250 V
Rated impulse voltage (III / 3)	4 kV
Rated current	25 A
Internal wiring	4 mm ²

**Distribution box; motion/presence detector**

Color	Item No.	Pack. Unit
● black	899-631/309-000	1

WINSTA® Boxes ▶ 899 Series

Motion/Presence Detector

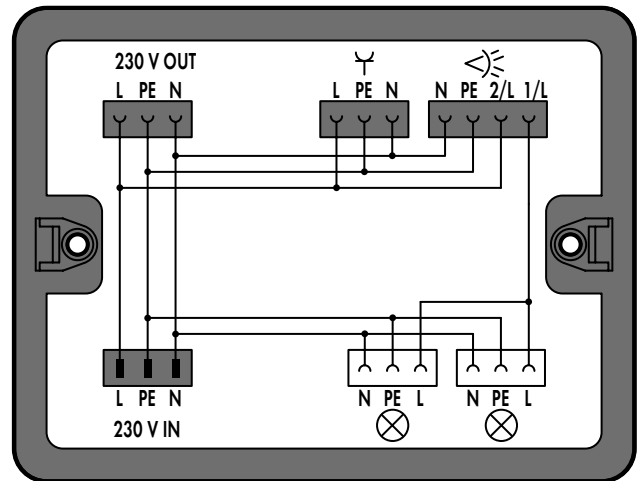
1 Input; 5 Outputs; A-Coding; WINSTA® MIDI

Description

This WINSTA® Box connects to one motion detector, two lights and one outlet.

Technical Data

Rated voltage (III / 3)	250 V
Rated impulse voltage (III / 3)	4 kV
Rated current	25 A
Internal wiring	4 mm ²



Distribution box; motion/presence detector

Color	Item No.	Pack. Unit
● black	899-631/180-000	1

On/Off Switching

1 Input; 7 Outputs; A-, S-Coding; WINSTA® MIDI

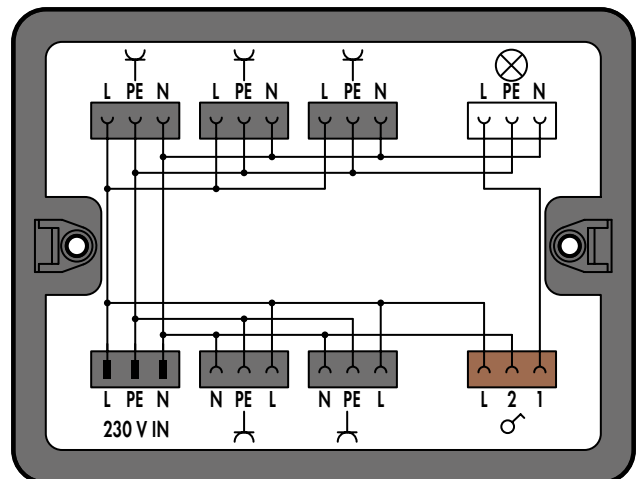
Description

This WINSTA® Box features one on/off switch with additional power outlets.

The distribution box is fitted on the 770-680 Mounting Plate.

Technical Data

Rated voltage (III / 3)	250 V
Rated impulse voltage (III / 3)	4 kV
Rated current	20 A
Internal wiring	2.5 mm ² (halogen-free)



Distribution box; on/off switching

Color	Item No.	Pack. Unit
● black	899-631/478-000	1

(III / 3) ≙ Overvoltage category III / Pollution degree 3

Accessories, 899 Series Page 486

Coding Overview Page 502

Approvals, see www.wago.com

WINSTA® Boxes ▶ 899 Series

On/Off Switching

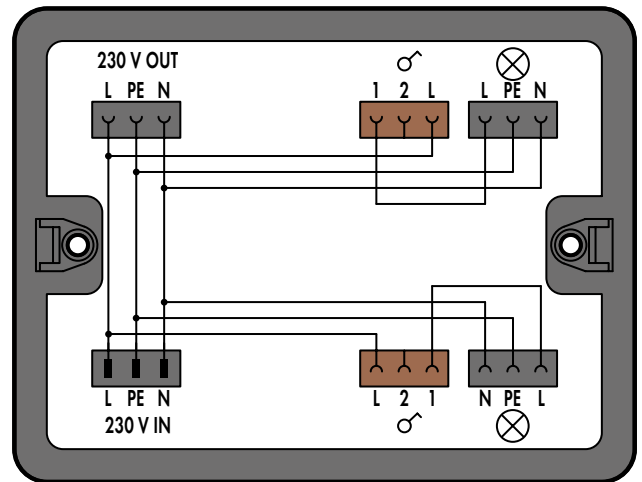
1 Input; 5 Outputs; A-, S-Coding; WINSTA® MIDI

Description

This WINSTA® Box features two on/off switches for one light each.

Technical Data

Rated voltage (III / 3)	250 V
Rated impulse voltage (III / 3)	4 kV
Rated current	25 A
Internal wiring	4 mm ²



Distribution box; on/off switching

Color	Item No.	Pack. Unit
● black	899-631/363-000	1

Series Switching

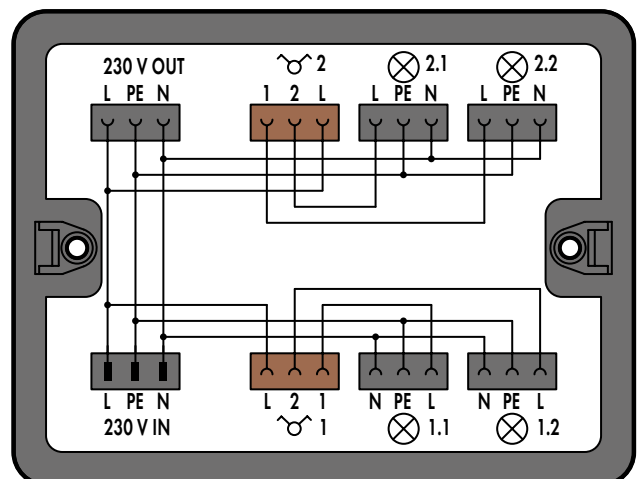
1 Input; 7 Outputs; A-, S-Coding; WINSTA® MIDI

Description

This WINSTA® Box features two series switches with pluggable connectors.

Technical Data

Rated voltage (III / 3)	250 V
Rated impulse voltage (III / 3)	4 kV
Rated current	25 A
Internal wiring	4 mm ²



Distribution box; series switching

Color	Item No.	Pack. Unit
● black	899-631/386-000	1

WINSTA® Boxes ▶ 899 Series

Changeover Switching

1 Input; 7 Outputs; A-, S-Coding; WINSTA® MIDI

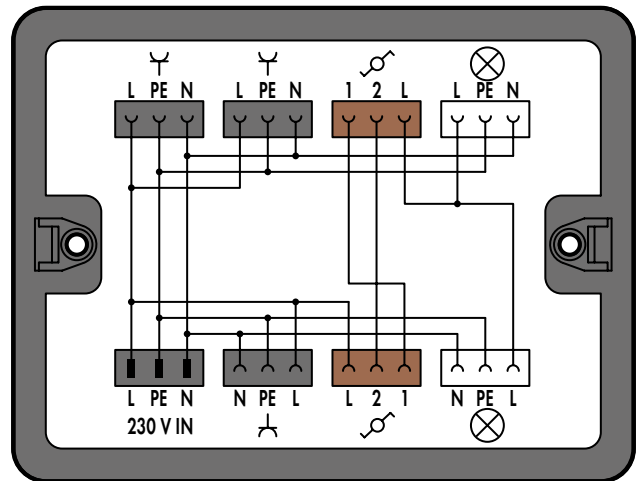
Description

This WINSTA® Box features two changeover switches and connects to power outlets.

The distribution box is fitted on the 770-680 Mounting Plate.

Technical Data

Rated voltage (III / 3)	250 V
Rated impulse voltage (III / 3)	4 kV
Rated current	25 A
Internal wiring	4 mm ²



Distribution box; changeover switching

Color	Item No.	Pack. Unit
● black	899-631/189-000	1

Changeover Switching

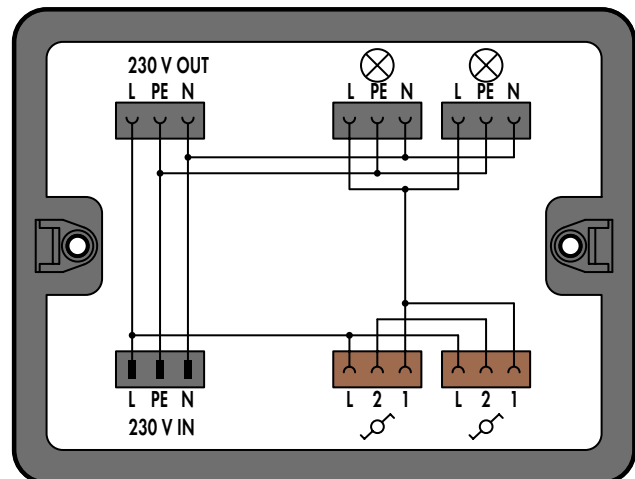
1 Input; 5 Outputs; A-, S-Coding; WINSTA® MIDI

Description

This WINSTA® Box features two changeover switches for two lights.

Technical Data

Rated voltage (III / 3)	250 V
Rated impulse voltage (III / 3)	4 kV
Rated current	25 A
Internal wiring	4 mm ²



Distribution box; changeover switching

Color	Item No.	Pack. Unit
● black	899-631/308-000	1

(III / 3) Δ Overvoltage category III / Pollution degree 3

Accessories, 899 Series Page 486

Coding Overview Page 502

Approvals, see www.wago.com

WINSTA® Boxes ▶ 899 Series

Crossover Switching

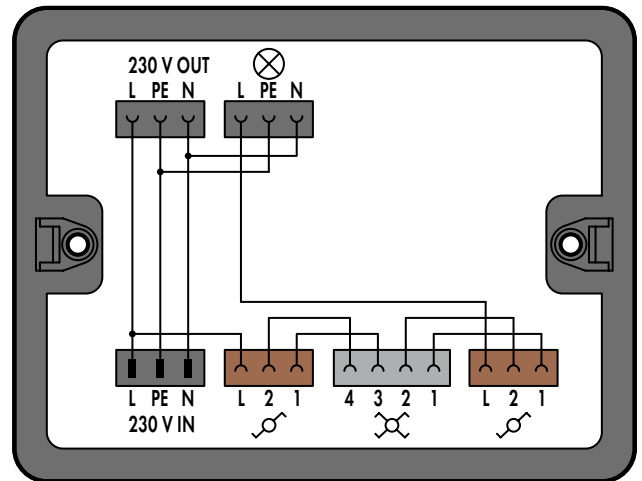
1 Input; 5 Outputs; A-, B-, S-Coding; WINSTA® MIDI; WINSTA® MIDI special

Description

This WINSTA® Box features one crossover switch.

Technical Data

Rated voltage (III / 3)	250 V
Rated impulse voltage (III / 3)	4 kV
Rated current	25 A
Internal wiring	4 mm ²



Distribution box; crossover switching

Color	Item No.	Pack. Unit
● black	899-631/305-000	1

Cable and Device Protection

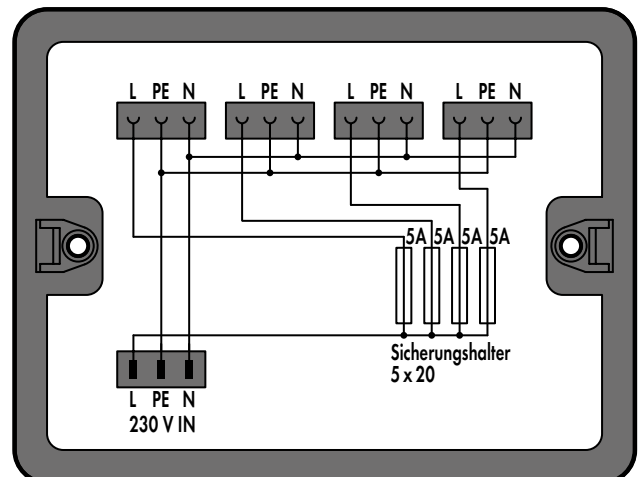
1 Input; 4 Outputs; A-Coding; WINSTA® MIDI

Description

This WINSTA® Box protects four components within a device (5 x 20 mm fuse holder). Power supply is performed using a 3-pole connecting cable.

Technical Data

Rated voltage (III / 3)	250 V
Rated impulse voltage (III / 3)	4 kV
Rated current	5 A
Internal wiring	2.5 mm ² (halogen-free)



Distribution box; cable and device protection

Color	Item No.	Pack. Unit
● black	899-631/315-000	1

WINSTA® Boxes ▶ 899 Series

Latching Relay

1 Input; 4 Outputs; A-, S-Coding; WINSTA® MIDI

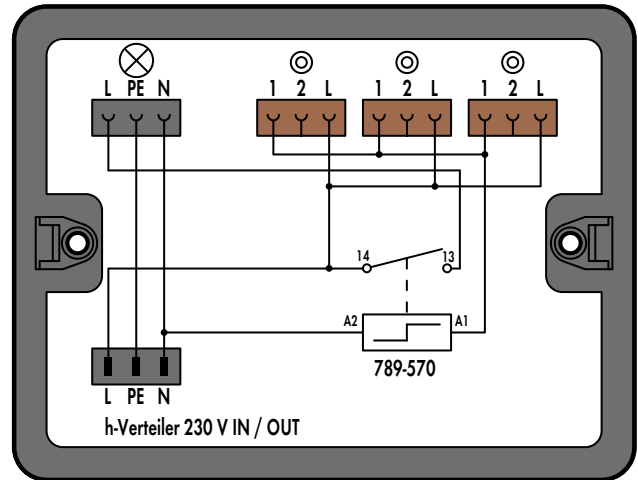
Description

This WINSTA® Box features one latching relay with three push-buttons and one light. Power supply (230 V, through wiring) is performed using the provided h-distribution connector.

Includes: One 770-633 h-Distribution Connector

Technical Data

Rated voltage (III / 3)	250 V
Rated impulse voltage (III / 3)	4 kV
Rated current	16 A
Internal wiring	2.5 mm ² (halogen-free)



Distribution box; latching relay		
Color	Item No.	Pack. Unit
● black	899-632/101-000	1

Latching Relay

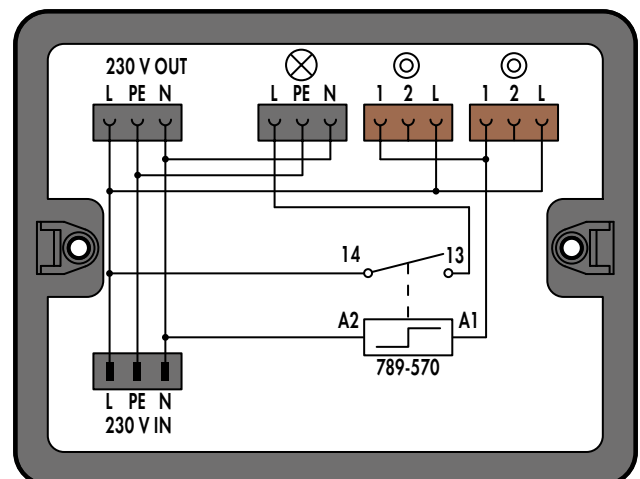
1 Input; 4 Outputs; A-, S-Coding; WINSTA® MIDI

Description

This WINSTA® Box features one latching relay with two push-buttons and one light.

Technical Data

Rated voltage (III / 3)	250 V
Rated impulse voltage (III / 3)	4 kV
Rated current	16 A
Internal wiring	2.5 mm ² (halogen-free)



Distribution box; latching relay		
Color	Item No.	Pack. Unit
● black	899-632/138-000	1

10

(III / 3) ≙ Overvoltage category III / Pollution degree 3

Accessories, 899 Series	Page 486
Coding Overview	Page 502
Approvals, see www.wago.com	

WINSTA® Boxes ▶ 899 Series

Latching Relay

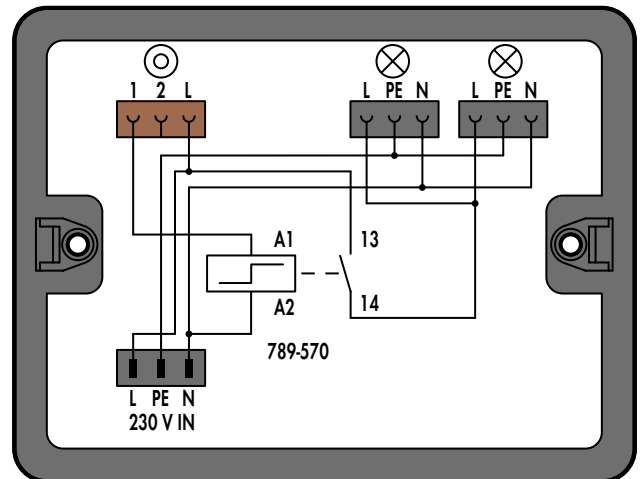
2 Inputs; 2 Outputs; A-, S-Coding; WINSTA® MIDI

Description

This WINSTA® Box features a latching relay with one push-button and two lights.

Technical Data

Rated voltage (III / 3)	250 V
Rated impulse voltage (III / 3)	4 kV
Rated current	16 A
Internal wiring	2.5 mm ² (halogen-free)



Distribution box; latching relay		
Color	Item No.	Pack. Unit
● black	899-632/103-000	1

Relay Switching

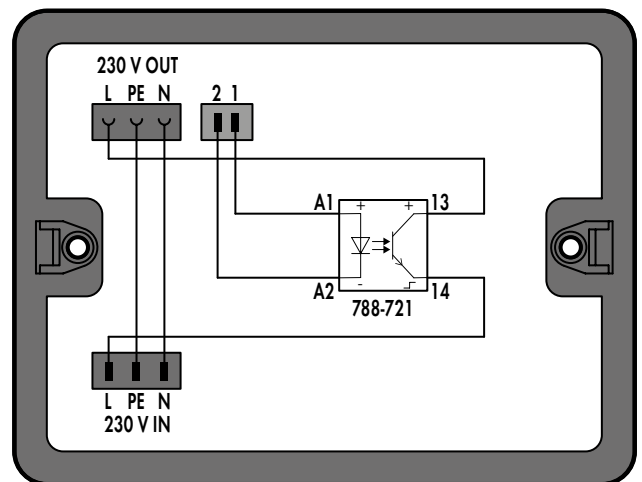
2 Inputs; 1 Output; A-, B-Coding; WINSTA® MINI special; WINSTA® MIDI

Description

This WINSTA® Box features one solid-state relay and switches 230 V at the zero cross.

Technical Data

Rated voltage (III / 3)	250 V
Rated impulse voltage (III / 3)	4 kV
Rated current	4 A
Internal wiring	1.5 mm ² (halogen-free)



Distribution box; relay switching		
Color	Item No.	Pack. Unit
● black	899-632/102-000	1

WINSTA® Boxes ▶ 899 Series Distribution Box for Self-Assembly

Description

This WINSTA® Box is designed for custom assembly/wiring and includes: 1 bottom, 1 lid, 2 sidewalls and 16 MIDI mounting pins.



Distribution box; for self-assembly		
Color	Item No.	Pack. Unit
● black	899-631	1
○ white	899-681	1

Distribution Box for Self-Assembly

Description

This WINSTA® Box is designed for custom wiring with an electronic module (1 module on DIN-35 rail) and includes: 1 bottom, 1 lid, 1 sidewall, 1 sidewall with DIN-35 rail and 10 MIDI mounting pins.



Distribution box; for self-assembly		
Color	Item No.	Pack. Unit
● black	899-632	1
○ white	899-682	1

(III / 3) ≙ Overvoltage category III /
Pollution degree 3

Accessories, 899 Series Page 486

Coding Overview Page 502

Approvals, see www.wago.com







10



WAGO Accessories and WAGO Tools

11

WAGO Accessories and WAGO Tools

	Page
	WAGOSTA® MINI and MINI special; 890 Series Accessories 468
	WAGOSTA® MIDI and MIDI special; 770 Series Accessories 473
	WAGOSTA® IDC; 772, 895 and 897 Series Accessories 487
	WAGOSTA® Boxes; 899 Series Accessories 486
	Tools
	Operating Tools 494
	Wire strippers 496
	Stripping Pliers, Cable Cutters, Stripping Knives 497
	Cable cutters 498
	Wiring Aid 498
	Marking
	Markers 499
	Self-Adhesive Marking Strips 499

Accessories ▶ WINSTA® MINI, WINSTA® MINI special ▶ 890, 891 Series



Locking lever; for flying leads; manually operated		
Color	Item No.	PU (SPU)
black	890-101	100(50)
white	890-121	100(50)

Mounting adapter; for 2- to 5-pole for flying leads		
Color	Item No.	PU
black	890-310	100
white	890-311	100

Lockout cap; for cutout; 2-pole		
Color	Item No.	PU
black	890-642	100
white	890-692	100



Lockout cap; for cutout; 3-pole		
Color	Item No.	PU
black	890-643	100
white	890-693	100

Lockout cap; for cutout; 4-pole		
Color	Item No.	PU
black	890-644	100
white	890-694	100

Locking lever; for flying leads; tool operated		
Color	Item No.	PU (SPU)
black	890-111	100(50)
white	890-131	100(50)

Lockout cap; for cutout; 5-pole		
Color	Item No.	PU
black	770-643	100
white	770-693	100

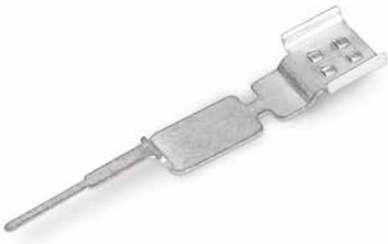


All connectors for mounted installations (snap-in versions, pluggable PCB connectors, distribution connectors) are factory-equipped with locking levers to ensure plugs and sockets are securely locked. Additional locking levers are only required for "flying leads" (plug/socket).

Locking connector via integrated lever.
Locking second connector for a secure connection.

Seal unused cutout with lockout cap.

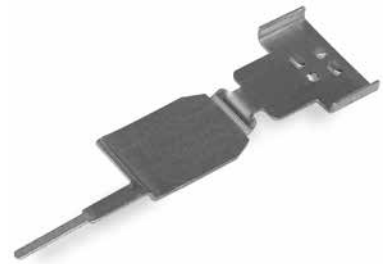
Accessories ▶ WINSTA® MINI, WINSTA® MINI special ▶ 890 Series



Shield connecting plate; for 3-pole plugs and sockets		
Item No.	PU	
890-523	50	



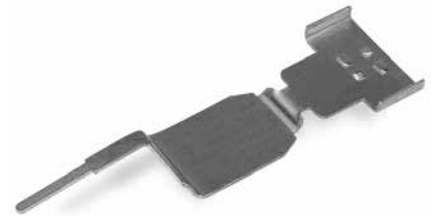
Shield connecting plate; for socket; 4-pole		
Item No.	PU	
890-524	50	



Shield connecting plate; for socket; 5-pole		
Item No.	PU	
890-526	50	



Shield connecting plate; for plug; 4-pole		
Item No.	PU	
890-525	50	



Shield connecting plate; for plug; 5-pole		
Item No.	PU	
890-527	50	



Connector with shield termination

Accessories ▶ WINSTA® MINI, WINSTA® MINI special ▶ 890 / 891 Series



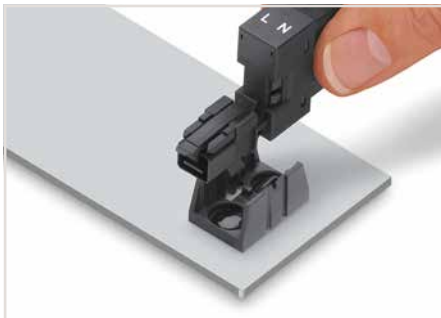
Mounting plate for distribution connector; 2-pole		
Color	Item No.	PU
black	890-1622	100
white	890-1672	100

Mounting pin; for mounting plates; 5 mm Ø; 0.2 ... 1.2 mm plate thickness		
Color	Item No.	PU
black	890-601	250

Mounting plate; for distribution connector; 3-pole		
Color	Item No.	PU
black	890-623	100
white	890-673	100

Mounting plate; for distribution connector; 4-pole		
Color	Item No.	PU
black	890-624	50
white	890-674	50

Mounting plate; for distribution connector; 5-pole		
Color	Item No.	PU
black	890-625	50
white	890-675	50



The distribution connectors snap together when attached to the mounting plate.



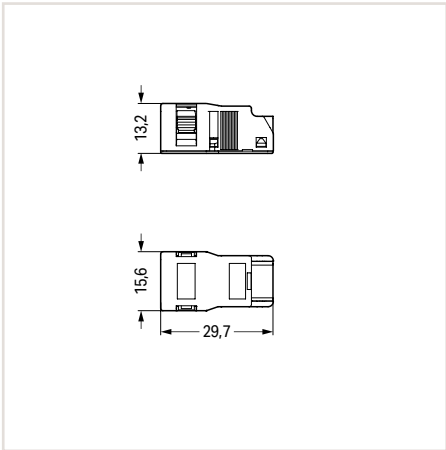
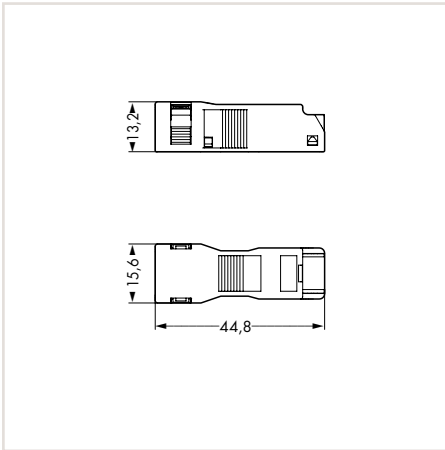
Secure the mounting plate via pins.

Accessories ▶ WINSTA® MINI, WINSTA® MINI special ▶ 890 Series



Strain relief housing; for 3.8 ... 8.2 mm cable diameter; 32 mm strip length		
Color	Item No.	PU
black	890-502	50
white	890-512	50

Strain relief housing; short; for 3.8 ... 8.2 mm cable diameter; 17.5 mm strip length		
Color	Item No.	PU
black	890-502/342-000	50
white	890-512/342-000	50



Sold & Serviced By:

 Toll Free Phone (877) SERV098
www.electromate.com
sales@electromate.com

PU = Packaging Unit; SPU = Subpackaging Unit; Dimensions in mm

Accessories ▶ WINSTA® MINI, WINSTA® MINI special ▶ 890 Series



Strain relief housing; for 4.5 ... 10 mm cable diameter; 40 mm strip length

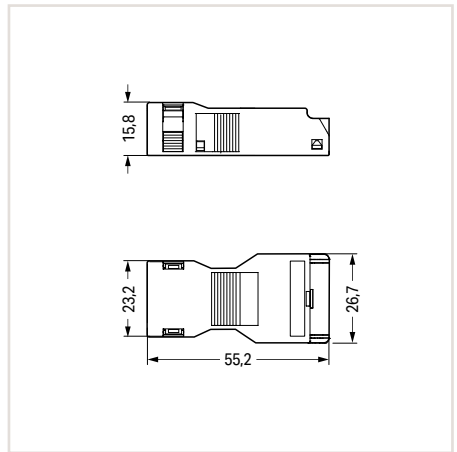
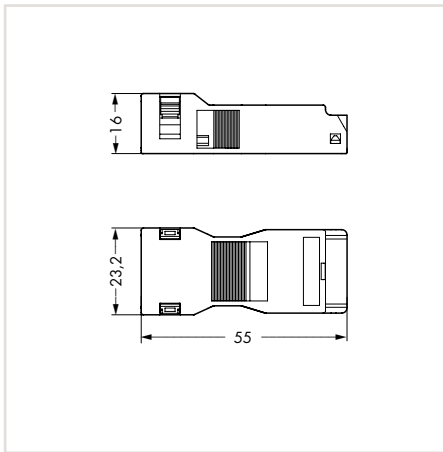
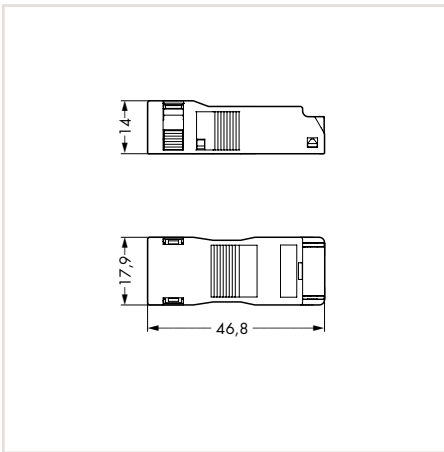
Color	Item No.	PU
black	890-503	50
white	890-513	50

Strain relief housing; for 6.5 ... 10.5 mm cable diameter; 45 mm strip length

Color	Item No.	PU
black	890-504	50
white	890-514	50

Strain relief housing; for 6.5 ... 10.5 mm cable diameter; 45 mm strip length

Color	Item No.	PU
black	890-505	50
white	890-515	50



Accessories ▶ WINSTA® MIDI, WINSTA® MIDI special ▶ 770, 771 Series



Locking lever; for flying leads; manually operated		
Color	Item No.	PU (SPU)
black	770-101	100(25)
white	770-121	100(25)

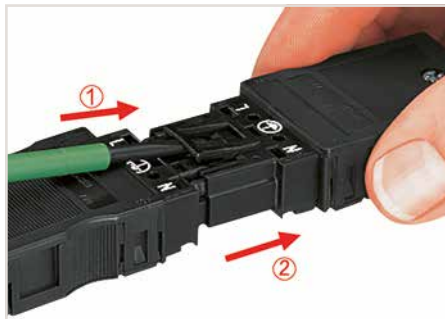
Locking lever; for flying leads; tool operated		
Color	Item No.	PU (SPU)
black	770-111	100(25)
white	770-131	100(25)

Locking lever; oversized; tool operated		
Color	Item No.	PU (SPU)
gray	770-140	100(25)



Locking lever, manually operated:

- Push on locking lever
- Pull the connectors apart



Locking lever, tool operated:

- Unlatch locking lever
- Pull the connectors apart



Snap-in connector with protruding locking lever

Accessories ▶ WINSTA® MIDI, WINSTA® MIDI special ▶ 770, 771 Series



Coding pin; for plug (A- and B-coding)		
Color	Item No.	PU
gray	770-401	100



Lockout cap; for socket; separable; 12-pole		
Color	Item No.	PU
black	770-201	100
white	770-221	100



Lockout cap; for cutout; 3-pole		
Color	Item No.	PU
black	770-643	100
white	770-693	100



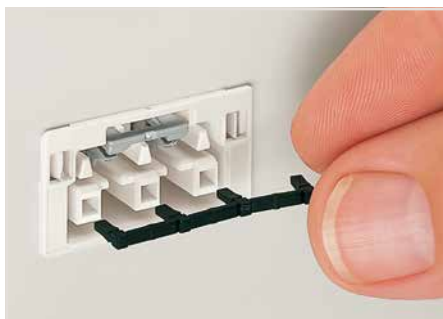
Lockout cap; for cutout; 4-pole		
Color	Item No.	PU
black	770-644	100
white	770-694	100

Lockout cap; for cutout; 5-pole		
Color	Item No.	PU
black	770-645	100
white	770-695	100

Lockout cap; for plug; separable; 5-pole		
Color	Item No.	PU
gelb	770-360	100



Insert coding pin into the plug.



Seal an unmated socket by simply inserting a lockout cap. This prevents the smallest particles from entering the socket.



Seal unused cutout with lockout cap.

Accessories ▶ WINSTA® MIDI, WINSTA® MIDI special ▶ 770 Series



Mounting plate for distribution connector; 2-pole

Color	Item No.	PU
black	770-1626	25
white	770-1627	25

Mounting pin; for mounting plates; 6 mm Ø; 1 ... 2.5 mm plate thickness

Color	Item No.	PU
black	770-601	250

Mounting plate; for distribution connector; 3-pole

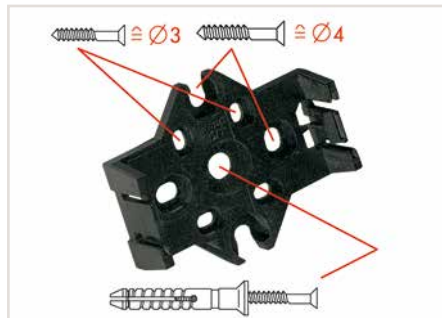
Color	Item No.	PU
black	770-623	25
white	770-673	25

Mounting plate; for distribution connector; 4-pole

Color	Item No.	PU
black	770-624	25
white	770-674	25

Mounting plate; for distribution connector; 5-pole

Color	Item No.	PU
black	770-625	25
white	770-675	25



Mounting plates can be secured using commercially available screws or nail-drive anchors.



The mounting plate can be centrally mounted, or attached via outboard attachment points using 770-601 Mounting Pins.

Accessories ▶ WINSTA® MIDI, WINSTA® MIDI special ▶ 770 Series

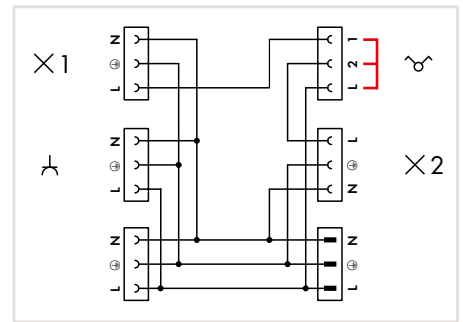
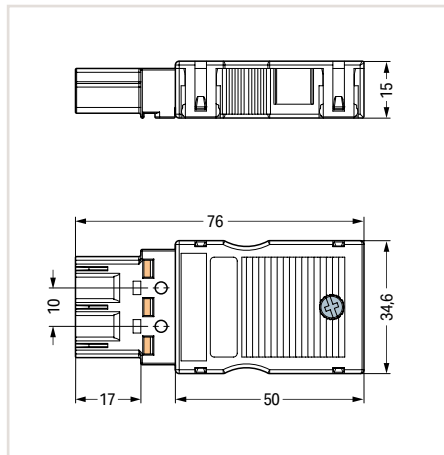
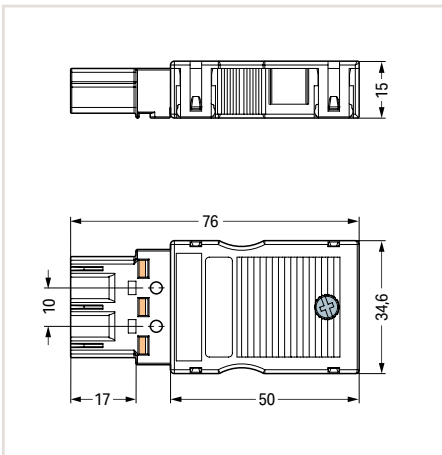


Shorting plug; S-coding; brown plug with assembled strain relief housing and bridge

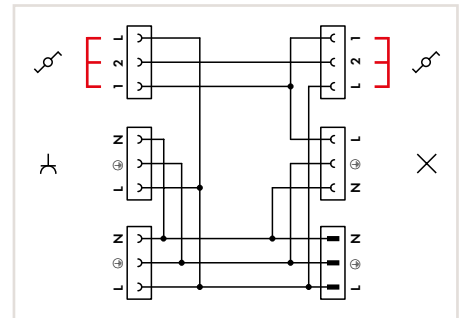
Color/Marking	Item No.	PU
	770-1373/146-000	50
	770-1373/147-000	50
	770-1373/148-000	50
	770-1373/149-000	50

Shorting plug; A-coding; black plug with assembled strain relief housing and bridge

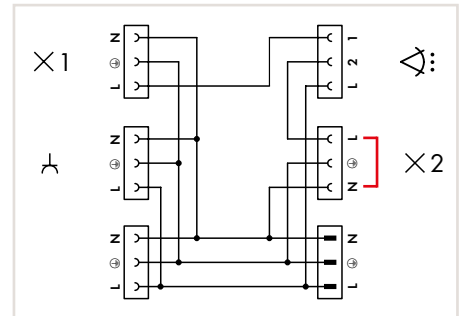
Color/Marking	Item No.	PU
	770-113/147-000	50



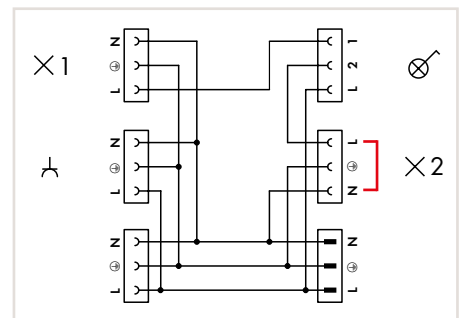
Internal circuit of 770-637 Distribution Connector with possible insertion position of 770-1373/14x-000 Shorting Plug.



Internal circuit of 770-638 Distribution Connector with possible insertion positions of 770-1373/14x-000 Shorting Plug.



Internal circuit of 770-637 Distribution Connector with insertion position of 770-113/147-000 Shorting Plug for connecting a motion sensor.



Internal circuit of 770-637 Distribution Connector with insertion position of 770-113/147-000 Shorting Plug for connecting a switch with control lamp.

Accessories ▶ WINSTA® MIDI, WINSTA® MIDI special ▶ 770 Series



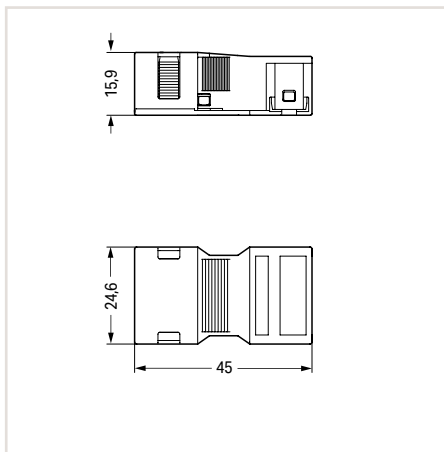
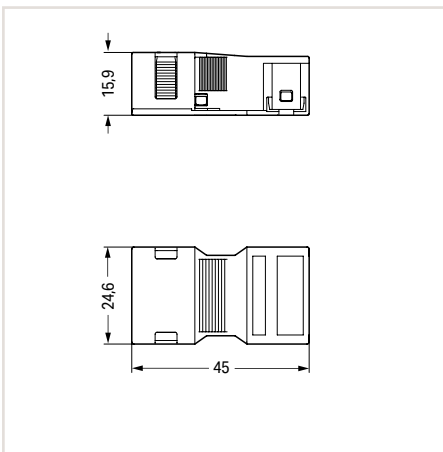
Shield connecting plate; for 3-pole plugs and sockets		
Item No.	PU	
770-523	25	

Strain relief housing; for one cable; 5 ... 9 mm cable diameter; 35 mm strip length		
Color	Item No.	PU
black	770-502/042-000	50
white	770-512/042-000	50

Strain relief housing; for one cable; 7 ... 10.5 mm cable diameter; 35 mm strip length		
Color	Item No.	PU
black	770-502/041-000	50
white	770-512/041-000	50



Connector with shield termination



Accessories ▶ WINSTA® MIDI, WINSTA® MIDI special ▶ 770 Series 3-Pole



Strain relief housing; for two cables;
for 4.5 ... 8 mm cable diameter; 55 mm strip length

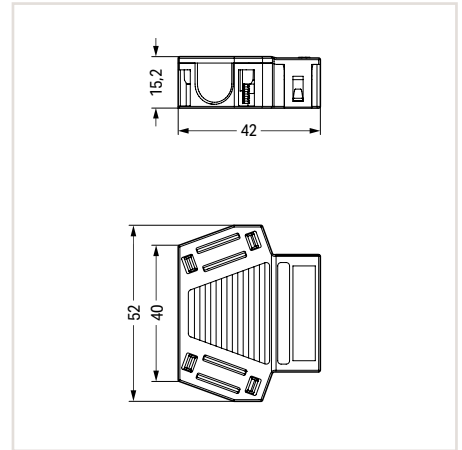
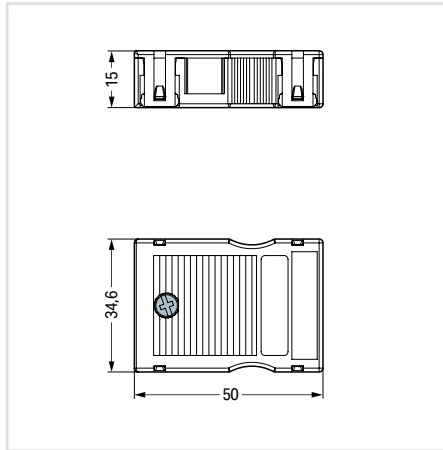
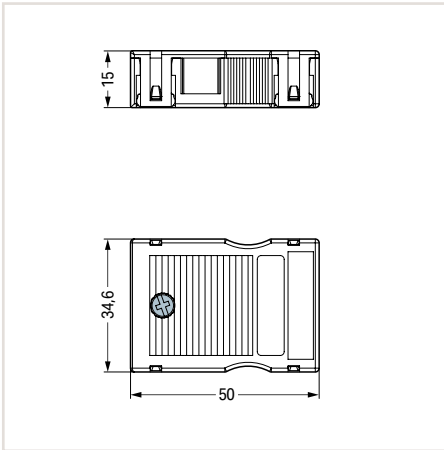
Color	Item No.	PU
black	770-503/023-000	50
white	770-513/023-000	50

Strain relief housing; for two cables;
for 8 ... 11.5 mm cable diameter; 55 mm strip length

Color	Item No.	PU
black	770-503	50
white	770-513	50

Strain relief housing; angled; for two cables;
for 8 ... 11.5 mm cable diameter; 55 mm strip length

Color	Item No.	PU
black	770-503/032-000	25
white	770-513/032-000	25



Accessories ▶ WINSTA® MIDI, WINSTA® MIDI special ▶ 770 Series 3-Pole



Strain relief housing; for 4 mm² cables; for 1 cable; 9 ... 13 mm cable diameter; 71 mm strip length

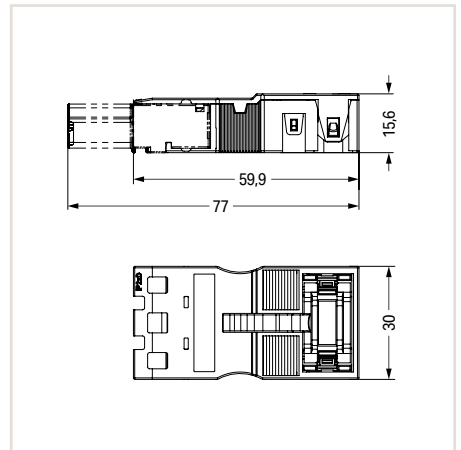
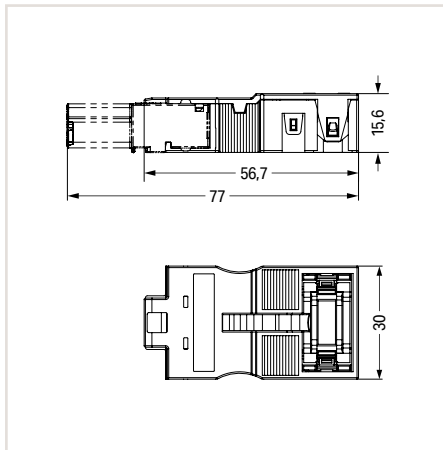
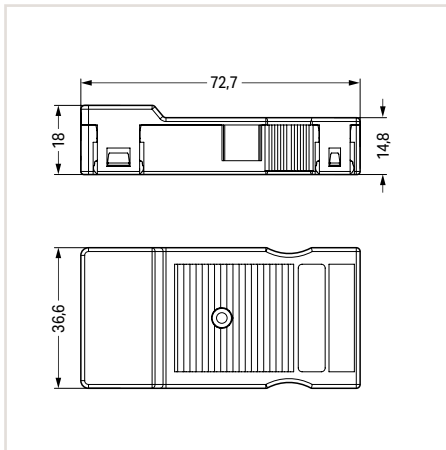
Color	Item No.	PU
black	770-503/021-000	50
white	770-513/021-000	50

Strain relief housing; for quick assembly; for one cable; 7 ... 11.5 mm cable diameter; 48 mm strip length

Color	Item No.	PU
black	770-503/035-000	50
white	770-513/035-000	50

Strain relief housing; IP 2xD; for one cable; 7 ... 11.5 mm cable diameter; 48 mm strip length

Color	Item No.	PU
black	770-503/038-000	50
white	770-513/038-000	50



PU = Packaging Unit; SPU = Subpackaging Unit; Dimensions in mm

Accessories ▶ WINSTA® MIDI, WINSTA® MIDI special ▶ 770 Series 4-Pole

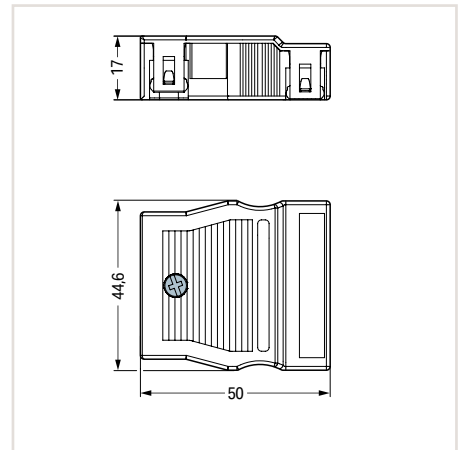
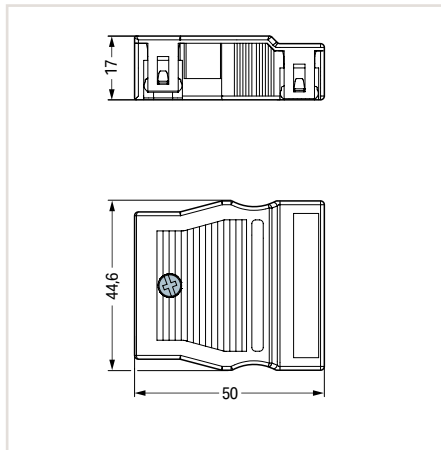


Strain relief housing; for two cables; for 5 ... 9 mm cable diameter; 55 mm strip length

Color	Item No.	PU
black	770-504/023-000	50
white	770-514/023-000	50

Strain relief housing; for two cables; for 9 ... 13 mm cable diameter; 55 mm strip length

Color	Item No.	PU
black	770-504	50
white	770-514	50



Accessories ▶ WINSTA® MIDI, WINSTA® MIDI special ▶ 770 Series 5-Pole



Strain relief housing; for two cables; for 5 ... 9 mm cable diameter; 55 mm strip length

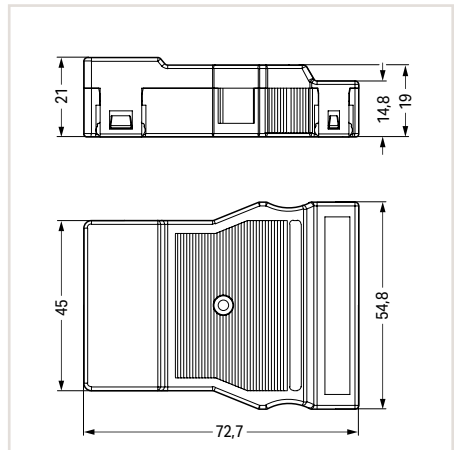
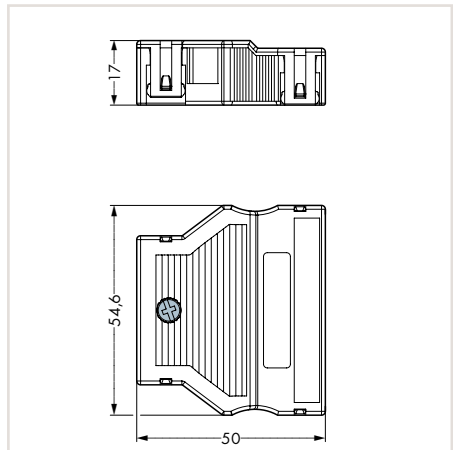
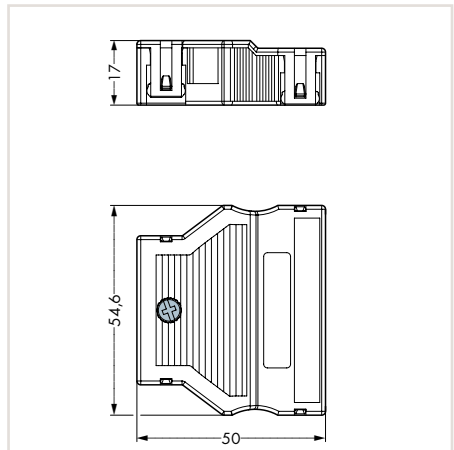
Color	Item No.	PU
black	770-505/023-000	25
white	770-515/023-000	25

Strain relief housing; for two cables; for 9 ... 13 mm cable diameter; 55 mm strip length

Color	Item No.	PU
black	770-505	25
white	770-515	25

Strain relief housing; for one cable; 11.5 ... 16.5 mm cable diameter; 71 mm strip length

Color	Item No.	PU
black	770-505/021-000	25
white	770-515/021-000	25



PU = Packaging Unit; SPU = Subpackaging Unit; Dimensions in mm

Accessories ▶ WINSTA® MIDI, WINSTA® MIDI special ▶ 770 Series 6-Pole



Snap-on type strain relief housings for:

- two 3-pole sockets
- two 3-pole plugs
- 3-pole socket and plug



Strain relief housing; for two cables;
for 8.5 ... 13.5 mm cable diameter; 55 mm strip length

Color	Item No.	PU
black	770-506/029-000	20
white	770-516/029-000	20

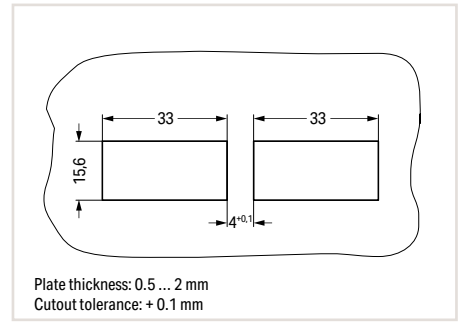
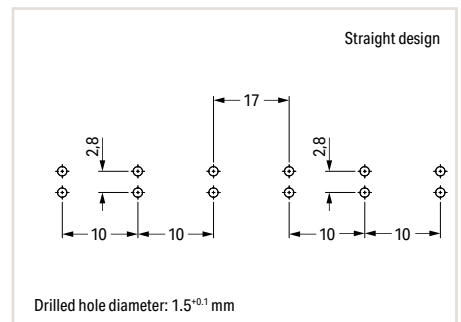
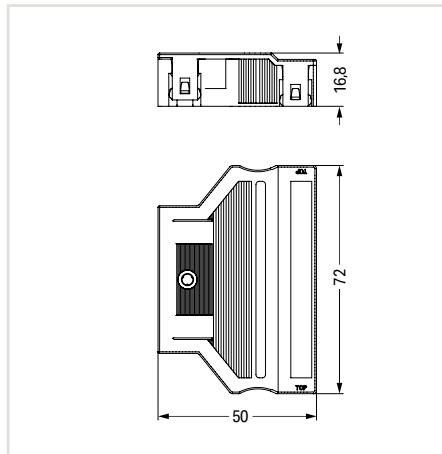


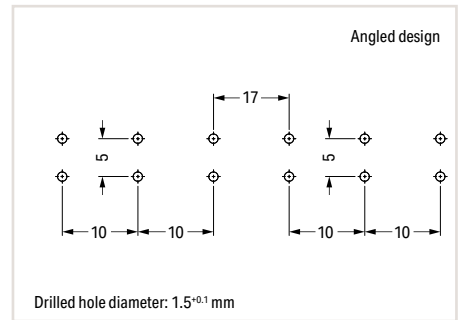
Plate thickness: 0.5 ... 2 mm
Cutout tolerance: + 0.1 mm

Using a 6-pole strain relief housing with snap-in connectors requires the cutout dimensions shown above.



Drilled hole diameter: 1.5^{+0.1} mm

Using a straight, 6-pole PCB connector requires the hole patterns shown above.



Drilled hole diameter: 1.5^{+0.1} mm

Using an angled, 6-pole PCB connector requires the hole patterns shown above.

Accessories ▶ WINSTA® MIDI, WINSTA® MIDI special ▶ 770 Series 7-Pole



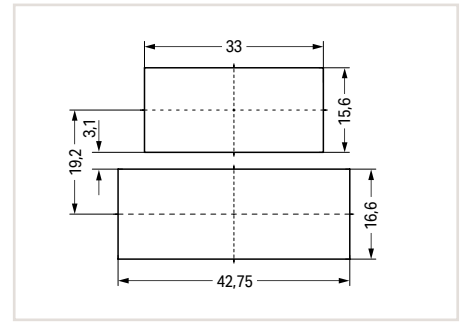
Snap-on type strain relief housings for:

- 3-pole socket or plug
- 4-pole socket or plug

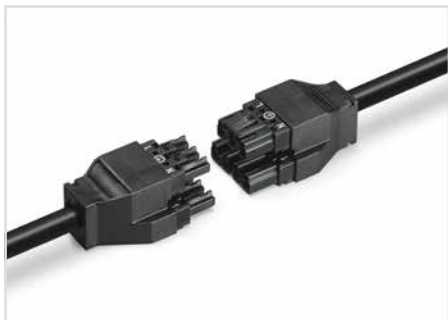


Strain relief housing; for one cable; 8 ... 15 mm cable diameter; 55 mm strip length

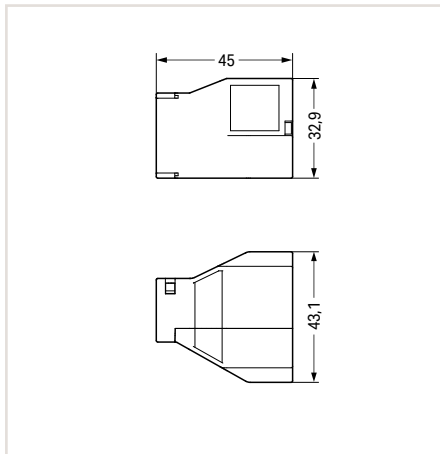
Color	Item No.	PU
black	770-507/047-000	200
white	770-517/047-000	200



Using a 7-pole strain relief housing with snap-in connectors requires the cutout dimensions shown above.

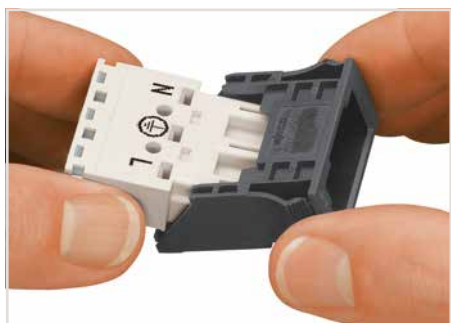


Flying leads
(NOTICE: Only use locking levers on upper position)



Flying leads

Accessories ▶ WINSTA® MIDI, WINSTA® MIDI special ▶ 770 Series



Insert the socket or plug into the frame (observe the "TOP" marking on the frame!), then snap the assembled unit into the cutout (example shows a 3-pole connector).

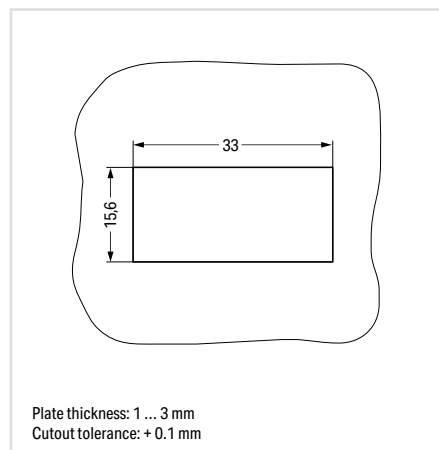
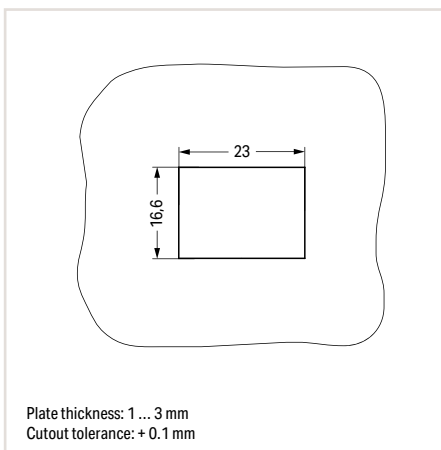
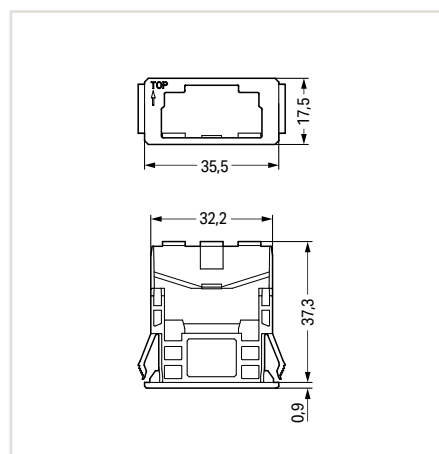
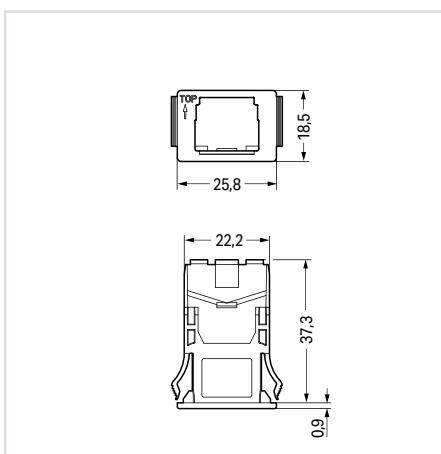


Snap-in frame; for 2-pole sockets and plugs;
for 1 ... 3 mm plate thickness

Color	Item No.	PU
black	770-317	100
white	770-337	100

Snap-in frame; for 3-pole sockets and plugs;
for 1 ... 3 mm plate thickness

Color	Item No.	PU
black	770-318	100
white	770-338	100



Accessories ▶ WINSTA® MIDI, WINSTA® MIDI special ▶ 770 Series



Snap-in frame; for 4-pole sockets and plugs; for 1 ... 3 mm plate thickness

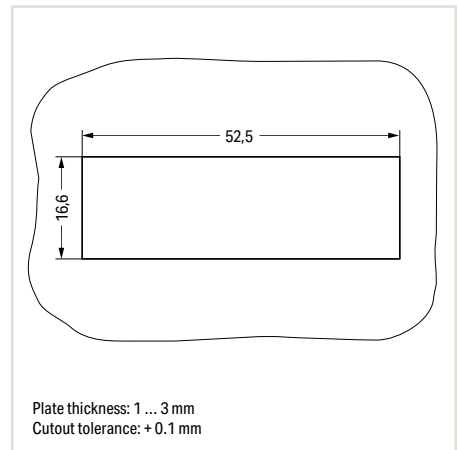
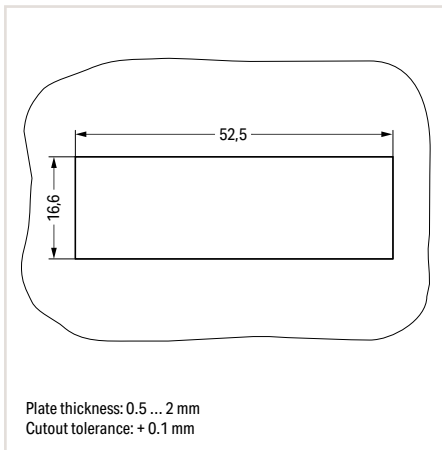
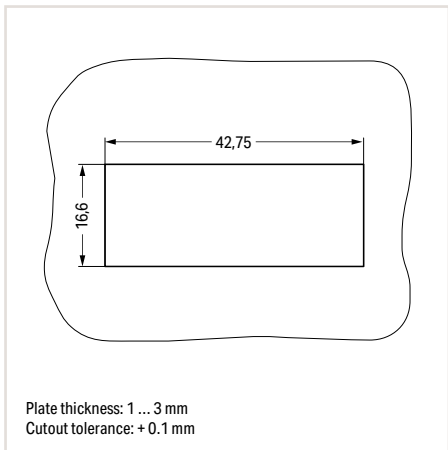
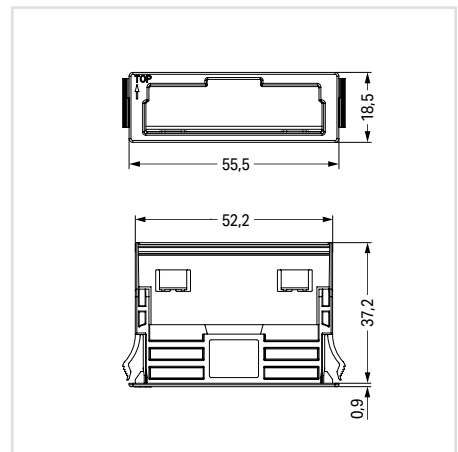
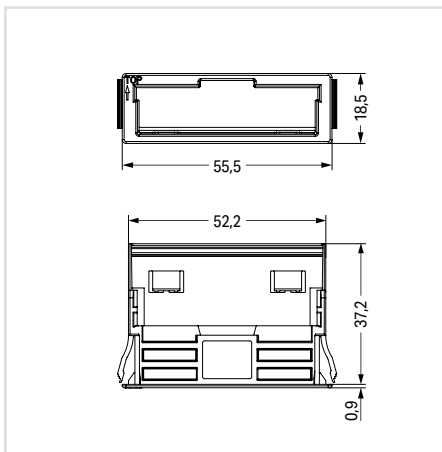
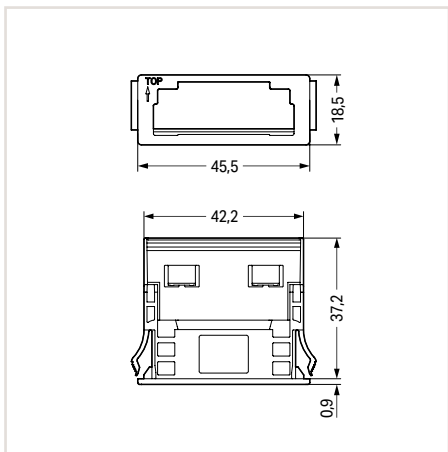
Color	Item No.	PU
black	770-319	100
white	770-339	100

Snap-in frame; for 5-pole sockets and plugs; for 0.5 ... 2 mm plate thickness

Color	Item No.	PU
black	770-321	100
white	770-341	100

Snap-in frame; for 5-pole sockets and plugs; for 1 ... 3 mm plate thickness; for A-coding/B/I/P/Q

Color	Item No.	PU
black	770-320	100
white	770-340	100



PU = Packaging Unit; SPU = Subpackaging Unit; Dimensions in mm

Accessories ▶ WINSTA® Boxes ▶ 899 Series



Adapter for distribution boxes; for WINSTA® MINI connectors and WINSTA® MINI special connectors; 2-pole

Color	Item No.	PU
gray	890-302	50



Mounting pin for distribution boxes; for WINSTA® MIDI connectors and WINSTA® MIDI special connectors

Color	Item No.	PU
gray	770-630	100



Mounting plate; for distribution boxes

	Item No.	PU
	770-680	25

Adapter for distribution boxes; for WINSTA® MINI connectors and WINSTA® MINI special connectors; 3-pole

Color	Item No.	PU
gray	890-303	50

Adapter for distribution boxes; for WINSTA® MINI connectors and WINSTA® MINI special connectors; 4-pole

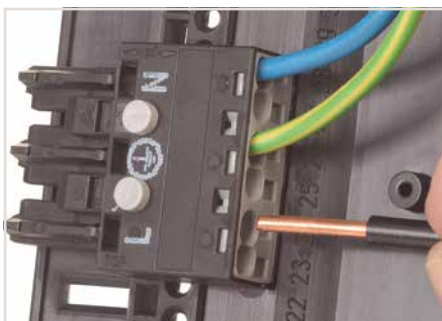
Color	Item No.	PU
gray	890-304	50

Adapter for distribution boxes; for WINSTA® MINI connectors and WINSTA® MINI special connectors; 5-pole

Color	Item No.	PU
gray	890-305	50



Using adapters to install WINSTA® MINI and WINSTA® MINI special connectors in a distribution box.



Using mounting pins to secure WINSTA® MIDI and WINSTA® MIDI special connectors in a distribution box.



Wall-mounted WINSTA® Distribution Box

Accessories ▶ WINSTA® IDC ▶ 772 Series



Mounting plate; for supply and tap-off modules

Color	Item No.	PU
black	772-260	10



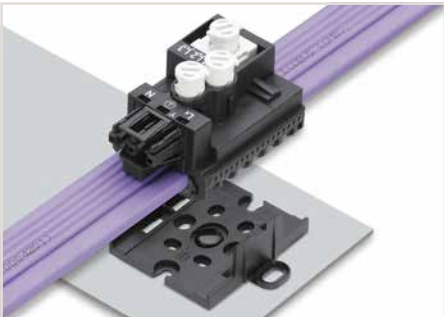
Mounting pin; for mounting plates; 6 mm Ø; 1 ... 2.5 mm plate thickness

Color	Item No.	PU
black	770-601	250



Lockout cap; for socket; separable; 12-pole

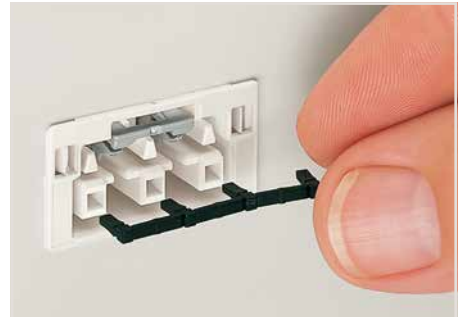
Color	Item No.	PU
black	770-201	100
white	770-221	100



Snapping a supply or tap-off module onto a mounting plate.



The mounting plate can be centrally mounted, or attached via outboard attachment points using 770-601 Mounting Pins.



Seal an unmated socket by simply inserting a lockout cap. This prevents the smallest particles from entering the socket.

Accessories ▶ WINSTA® IDC ▶ 895 Series



Cable fitting; M 40 x 1.5; clamping range: 20 ... 26 mm Ø; with O-ring gasket; plastic

Color	Item No.	PU
black	895-1601	5



Cable fitting; M 25 x 1.5; clamping range: 20 ... 26 mm Ø; with O-ring gasket; brass

Color	Item No.	PU
brass	895-1604	5



Filler plug; M 25 x 1.5; with O-ring gasket; plastic

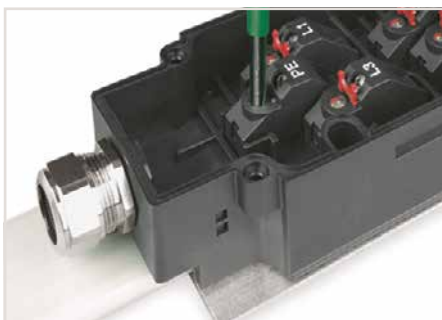
Color	Item No.	PU
black	895-1605	5

Cable fitting; M 25 x 1.5; clamping range: 9 ... 16 mm Ø; with O-ring gasket; plastic

Color	Item No.	PU
gray	895-1602	5

Cable fitting; M 25 x 1.5; clamping range: 13 ... 18 mm Ø; with O-ring gasket; plastic

Color	Item No.	PU
gray	895-1603	5



Tap-off module with brass cable fitting

Accessories ▶ WINSTA® IDC ▶ 897 Series



Mounting clamp; for screw mounting; for 2 x 1.5 mm², 5 x 2.5 mm², 5 x 4 mm² and 5 x 2.5 mm² + 2 x 1.5 mm² flat cables

Color	Item No.	PU
gray	897-878	100

Mounting clamp; for screw mounting; for 3 x 2.5 mm² flat cables

Color	Item No.	PU (SPU)
dark gray	897-839	200(25)

Mounting clamp; for screw mounting; for 5 x 10 mm² flat cables

Color	Item No.	PU
dark gray	897-859	100

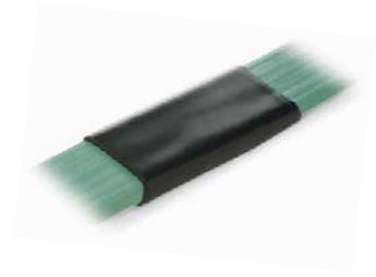
PU = Packaging Unit; SPU = Subpackaging Unit; Dimensions in mm

Accessories ▶ WINSTA® IDC ▶ 897 Series



Flat cable end cover; for 2 x 1.5 mm² flat cables; plastic

Color	Item No.	PU
transparent	897-120	10



Insulating tape; for 2 x 1.5 mm² to 5 x 10 mm² flat cables

Color	Item No.	PU
black	897-900	10

Flat cable end cover; for 3 x 2.5 mm² flat cables; plastic

Color	Item No.	PU
transparent	897-230	25

Insulating tape; for 5 x 16 mm² flat cables

Color	Item No.	PU
black	897-901	10

Flat cable end cover; for 5 x 2.5 mm² and 5 x 4 mm² flat cables; plastic

Color	Item No.	PU
transparent	897-250	25

Flat cable end cover; for 5 x 2.5 mm² and 2 x 1.5 mm² flat cables; plastic

Color	Item No.	PU
transparent	897-260	25

Flat cable end cover; for 5 x 10 mm² flat cables; plastic

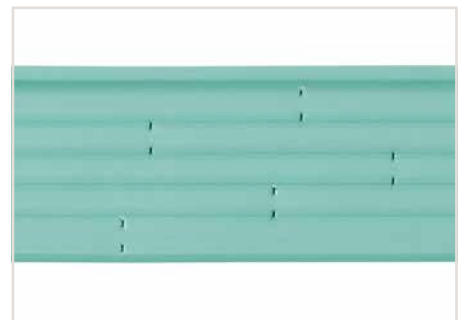
Color	Item No.	PU
transparent	897-1050	10

Flat cable end cover; for 5 x 16 mm² flat cables; plastic

Color	Item No.	PU
transparent	897-1650	4



Fit end cover to each flat cable end.



Use insulating tape to seal the contact holes in the flat cable after removing a module.

Accessories ▶ WINSTA® IDC ▶ 897 Series



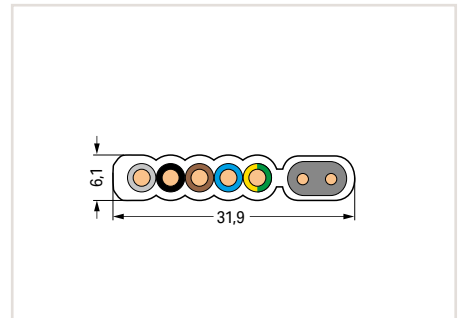
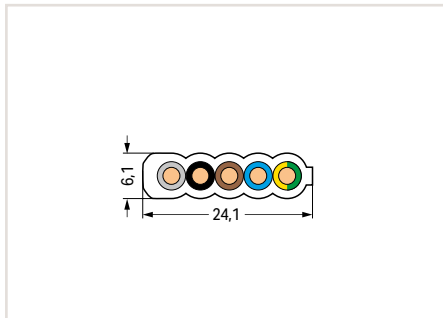
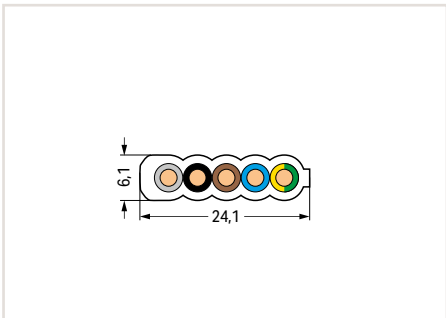
Flat cable; 5 x 2.5 mm ² ; PVC		
Color	Item No.	PU
light green	897-251	1

Flat cable; 5 x 4 mm ² ; halogen-free		
Color	Item No.	PU
black	897-453	1

Flat cable; 5 x 2.5 mm ² + 2 x 1.5 mm ² ; PVC		
Color	Item No.	PU
violett	897-261	1

Flat cable; 5 x 2.5 mm ² ; halogen-free		
Color	Item No.	PU
light green	897-252	1

Flat cable; 5 x 2.5 mm ² + 2 x 1.5 mm ² ; halogen-free		
Color	Item No.	PU
violett	897-262	1



PU = Packaging Unit; SPU = Subpackaging Unit; Dimensions in mm

Accessories ▶ WINSTA® IDC ▶ 897 Series



Flat cable; 2 x 1.5 mm ² ; PVC		
Color	Item No.	PU
light gray	897-121	1



Flat cable; 3 x 2.5 mm ² ; PVC		
Color	Item No.	PU
light gray	897-231	1

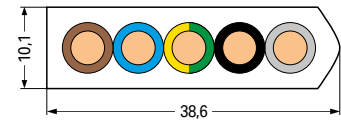
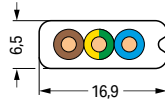
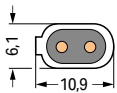


Flat cable; 5 x 10 mm ² ; PVC		
Color	Item No.	PU
light gray	897-1051	1

Flat cable; 2 x 1.5 mm ² ; halogen-free		
Color	Item No.	PU
light gray	897-122	1

Flat cable; 3 x 2.5 mm ² ; halogen-free		
Color	Item No.	PU
light gray	897-232	1

Flat cable; 5 x 10 mm ² ; halogen-free		
Color	Item No.	PU
light gray	897-1052	1



Accessories ▶ WINSTA® IDC ▶ 897 Series

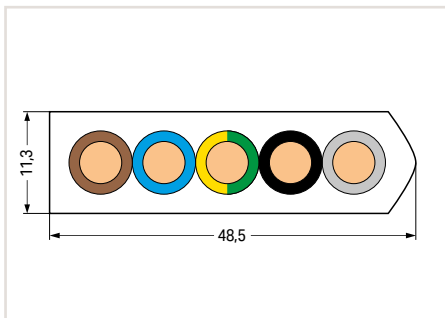


Flat cable; 5 x 16 mm²; PVC

Color	Item No.	PU
light gray	897-1651	1

Flat cable; 5 x 16 mm²; halogen-free

Color	Item No.	PU
light gray	897-1652	1



Operating Tools ► WINSTA®



Operating tool with a partially insulated shaft; type 1; (2.5 x 0.4) mm blade

Color	Item No.	PU
green	210-719	50

Operating tool set; with a partially insulated shaft; includes 210-719, 210-720 and 210-721

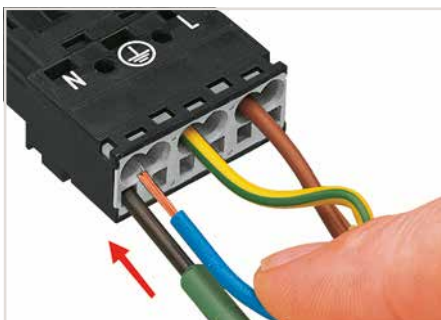
Color	Item No.	PU
green	210-722	1

Operating tool with a partially insulated shaft; type 2; (3.5 x 0.5) mm blade

Color	Item No.	PU
green	210-720	50

Operating tool with a partially insulated shaft; type 3; (5.5 x 0.8) mm blade

Color	Item No.	PU
green	210-721	25



The blade dimensions of the above-listed operating tools are ideal for operating both WINSTA® Plugs and Sockets.



Set of operating tools in a box

Operating Tools ► WINSTA®



Operating tool with a partially insulated shaft; (6.5 x 1.4) mm blade		
Color	Item No.	PU
green	210-636	50



Operating tool; partially insulated; for WINSTA® MINI connectors; 2-pole		
Color	Item No.	PU
green	890-382	50



Operating tool; partially insulated; for WINSTA® MIDI connectors; 2-pole		
Color	Item No.	PU
green	770-382	50

Operating tool; short version; (6.5 x 1.4) mm		
Color	Item No.	PU
green	210-635	30

Operating tool; partially insulated; for WINSTA® MINI connectors; 3-pole		
Color	Item No.	PU
green	890-383	50

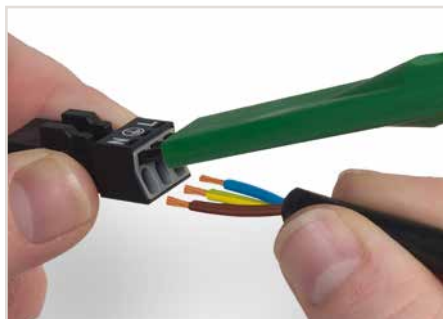
Operating tool; partially insulated; for WINSTA® MIDI connectors; 3-pole		
Color	Item No.	PU
green	770-383	50

Operating tool; partially insulated; for WINSTA® MINI connectors; 4-pole		
Color	Item No.	PU
green	890-384	50

Operating tool; partially insulated; for WINSTA® MINI connectors; 5-pole		
Color	Item No.	PU
green	890-385	50



Operating tools are ideally suited to operate IDC modules (772 Series).



To terminate fine-stranded conductors, open clamping units via operating tool (890-383) and insert stripped conductors until they hit backstop.

Stripping Tools ▶ WINSTA®



Cable knife; for Ø 8 ... 28 mm / 0.31 ... 1.10 inch; with a unique, changeable cable bracket system; including cable bracket

	Item No.	Pack. Unit
	206-1403	1

Item-Specific Accessories

Cable bracket; for Ø 4 ... 16 mm / 0.16 ... 0.63 inch

206-1411	1
----------	---



Cable bracket; for Ø 8 ... 28 mm / 0.31 ... 1.10 inch

206-1412	1
----------	---



Cable bracket; for Ø 27 ... 35 mm / 1.06 ... 1.38 inch

206-1413	1
----------	---



Cable bracket; for Ø 35 ... 50 mm / 1.38 ... 1.97 inch

206-1414	1
----------	---



Cable bracket; for Ø 50 ... 70 mm / 1.97 ... 2.75 inch

206-1415	1
----------	---



Accessories

Spare inside blade

206-1418	3
----------	---



Wire stripper "Quickstrip Vario"; 0.03 ... 16 mm² / 34 ... 6 AWG; with wire cutter

	Item No.	Pack. Unit
	206-1125	1

Accessories

Blade set; Standard; 0.03 ... 16 mm² / 34 ... 6 AWG

206-1126	1
----------	---



Blade set; V-blade; 0.14 ... 4 mm² / 24 ... 12 AWG

206-1127	1
----------	---



Blade set; Oval blade; 10 ... 16 mm² / 8 ... 6 AWG

206-1128	1
----------	---



Spare stripping stop

206-1129	1
----------	---



Spare cut protector

206-1131	1
----------	---

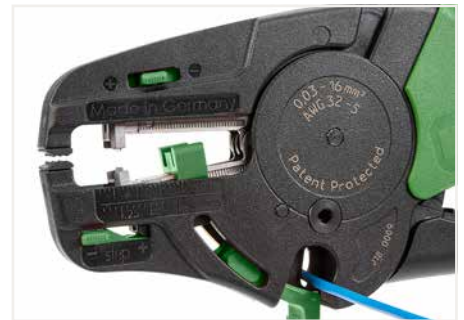


Spare clamping jaws

206-1132	1
----------	---



Partially stripping a conductor.



Cutting a conductor.

Wire Stripper:

- Automatically adjust to conductor size
- Stripping blades cause no damage to conductor strands
- Gripping pressure of jaws adjusts automatically to conductor insulation diameter
- Clamping jaws and stripping blades automatically open once the stripping process is completed – no splaying of the conductor strands
- Exact strip length may be set by sliding black setting stop
- Stripping blades can be replaced
- Self-sharpening, fully protected cutter (replaceable)
- Entire body made of glass-fiber-reinforced polyamide
- Cutting capacity of the wire cutter of fine-stranded conductors up to 16 mm² (6 AWG)



Stripping Pliers, Cable Cutters, Stripping Knives ▶ WINSTA®



Stripping pliers; with insulated handles; for 3 x 2.5 mm² flat cables

Color	Item No.	PU
red	897-931	1



Cable cutter; with partially insulated handles; for 5 x 6 mm² flat cables

Color	Item No.	PU
red	897-960	1



Stripping knife; for 5 x 10 mm² flat cable

Color	Item No.	PU
light gray	897-951	1



Stripping pliers; with insulated handles; for 2 x 1.5 mm², 5 x 2.5 mm², 5 x 4 mm² and 5 x 2.5 mm² + 2 x 1.5 mm² flat cables

Color	Item No.	PU
red	897-971	1



Cable cutter; with partially insulated handles; for 2 x 1.5 mm², 5 x 2.5 mm², 5 x 4 mm² and 5 x 2.5 mm² + 2 x 1.5 mm² flat cables

Color	Item No.	PU
red	897-972	1



Stripping knife; for 5 x 16 mm² flat cable

Color	Item No.	PU
light gray	897-952	1



Cut off the flat cable insulation via cable cutter.



Cut both flat cable insulation sides via stripping knife.

Cable Cutter and Wiring Aid ► WINSTA®



Cable cutter; per VDE; for copper and aluminum cables; 0.25 ... 35 mm²

Color	Item No.	PU (SPU)
green	206-118	10(1)



Wiring aid; for 5-pole connectors; distribution connectors with phase selection and IDC supply modules; suitable for solid and stranded conductors

Color	Item No.	PU (SPU)
orange	770-100	20(1)



Cutting a cable.



Strip outer insulation, insert cable into the wiring aid and arrange the single conductors according to the marking, starting with N. Cut conductor ends to the proper length.



Strip conductor ends to a length of 9 mm (see marking). Slide connector to the stop over conductor ends.

Markers and Marking Strips ▶ WINSTA®



Marker; for manual marking		
Color	Item No.	PU
white	770-450	50
green	770-450/000-001	50
yellow	770-450/000-002	50
red	770-450/000-005	50
blue	770-450/000-006	50
orange	770-450/000-012	50



Self-adhesive marking strips; on DIN A4 cards; 182 mm long; 6 mm (40 x) high; for 770 Series		
Color	Item No.	PU (SPU)
white	210-333	100(1)



Self-adhesive marking strips; on DIN A4 cards; 182 mm long; 5 mm (48 x) high; for 771 Series		
Color	Item No.	PU (SPU)
white	210-334	100(1)



Distribution connector with marked cables



Marking area:
 Strain relief; 3-pole; 28 x 6.5 mm
 Strain relief; 4-pole; 38 x 6.5 mm
 Strain relief; 5-pole; 48 x 6.5 mm
 Strain relief; 6-pole; 62 x 6.5 mm

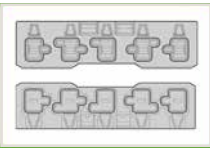
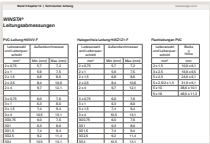






Marking area:
 Strain relief; 3-pole; 22 x 5.2 mm
 Strain relief; 4-pole; 32 x 5.2 mm
 Strain relief; 5-pole; 42 x 5.2 mm



Technical Section


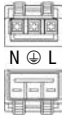



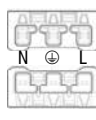
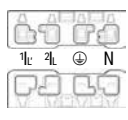
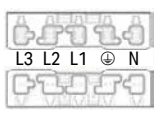

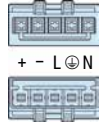
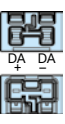
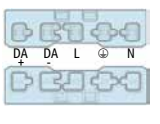

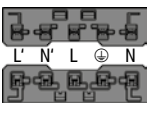






Technical Section

	Page	
	<p>Coding Overview Pole Markings</p>	<p>502 504</p>
	<p>Cable Dimensions</p>	<p>506</p>
	<p>International Certification Organizations</p>	<p>508</p>
	<p>Electrical Engineering Laboratory</p>	<p>510</p>
	<p>Seminars</p>	<p>512</p>
	<p>Environmental Protection</p>	<p>514</p>

WINSTA®



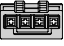













































Coding Configurations

770, 771, 772, 831, 890, 891, 893, 894 and 899 Series

Description	WINSTA® MINI				WINSTA® MIDI			
	2-pole	3-pole	4-pole	5-pole	2-pole	3-pole	4-pole	5-pole
Series	890/891	890/891	890/891	890/891	770/771	770/771	770/771	770/771
A-coding black white e.g., general applications	 N L	 N ⊕ L	 1L 2L ⊕ N	 3 2 1 ⊕ N	 N L	 N ⊕ L	 1L 2L ⊕ N	 L3 L2 L1 ⊕ N
E-coding green KNX applications								
F-coding light gray specialty coding								
I-coding blue for dimming function (e.g., DALI)	 - +			 + - L ⊕ N	 DA DA			 DA DA L ⊕ N
L-coding dark gray e.g., emergency power supply					 N' L'			 L' N' L ⊕ N
P-coding red e.g., computer applications (UPS)						 N ⊕ L		 L3 L2 L1 ⊕ N
Q-coding green Clean ground applications							 L PE2 PE1 N	 L PE3 PE2 PE1 N
R-coding orange e.g., LON® Bus						 S LON LON		
S-coding brown e.g., switching applications						 L 2 1		

Description	WINSTA® MAXI	WINSTA® RD		WINSTA® KNX		WINSTA® IDC	
	5-pole	3-pole	4-pole	2-pole	2-pole	3-pole	5-pole
Series	831	774	774	893/894	893/894	772	772
A-coding black white e.g., general applications							
E-coding green KNX applications							
F-coding light gray specialty coding							
I-coding blue for dimming function (e.g., DALI)							
L-coding dark gray e.g., emergency power supply							
P-coding red e.g., computer applications (UPS)							
Q-coding green Clean ground applications							
R-coding orange e.g., LON® Bus							
S-coding brown e.g., switching applications							

WINSTA® MINI special and MIDI special B-Coding

Description	WINSTA® MINI special				WINSTA® MIDI special / WINSTA® IDC			
	2-pole	3-pole	4-pole	5-pole	2-pole	3-pole	4-pole	5-pole
Series	890/891	890/891	890/891	890/891	770/771	770/771/772	770/771	770/771/772
B-coding gray								
Control and general applications (110 ... 400 V mains applications)	2 1 	3 2 1 	4 3 2 1 	5 4 3 2 1 	2 1 	3 2 1 	4 3 2 1 	5 4 3 2 1 
B-coding light green								
Control and general applications (0 ... 48 V low voltages)	2 1 	3 2 1 	4 3 2 1 	5 4 3 2 1 	2 1 	3 2 1 	4 3 2 1 	5 4 3 2 1 
B-coding pink								
Control and general applications (bus applications)	2 1 	3 2 1 	4 3 2 1 	5 4 3 2 1 	2 1 	3 2 1 	4 3 2 1 	5 4 3 2 1 

Important note:

B-Coded components within the WINSTA® MINI special and WINSTA® MIDI special families are designed for specialty applications (e.g., measurement, control and regulation technology) and certified per DIN EN 61984. In addition to the gray models rated from 110 to 400 V, there is now also a variant in light green for low voltages up to 48 V, as well as a pink one for bus applications. Each of the three versions is available in 2-, 3- or 4- and 5-pole configurations. Pole marking can be printed at the factory to suit customer requirements. B-coded products are protected against mismatching with all other coding types found in the WINSTA® system. Within B-coding, all special variants can mate with each other. The variable coding system provides clear circuit identification. Special variants can be clearly differentiated according to color and pole marking. They can be coded on-site or delivered with factory-installed custom coding.

WINSTA® MINI special and MIDI special Pole Markings

Suffix Number	Marking				Application
	2-pole	3-pole	4-pole	5-pole	
without	1 2	1 2 3	1 2 3 4	1 2 3 4 5	General
/060-000 MINI MIDI	L N	L ⊕ N	N ⊕ ² IL ¹ IL'	N ⊕ 1 2 3 N ⊕ L1 L2 L3	Standard 230 V/400 V network application
/062-000		2 PE 1	3 PE 2 1	N PE 3 2 1	Fan Step switching
/064-000			2L ⊕ 1L L	N ⊕ L 2L 1L	230 V + switched
without	1 2	1 2 3	1 2 3 4	1 2 3 4 5	General
/071-000		U+ X/Y U-	U- S U+ X/Y		AI / AO 0 ... 10 V
/072-000			U- U+ DI AI		Presence detector incl. light sensor
/073-000		1 ⊕ 2	1 ⊕ 2 3	1 ⊕ 2 3 4	Control Signal incl. Ground
without	1 2	1 2 3	1 2 3 4	1 2 3 4 5	General
/080-000	I+ I-			N ⊕ L I- I+	SMI bus
/081-000		1 2 5	1 2 5 3		MP-Bus
/082-000	+ -	+ S -		N ⊕ L - +	Standard fieldbus applications

Distribution connectors and cable assemblies with above-mentioned pole markings are available upon request.

Item number example:

WINSTA® MIDI special, plug, 4-pole, light green, with U- U+ DI AI pole marking

770-274/072-000

Sold & Serviced By:

 **ELECTROMATE**

Toll Free Phone (877) SERV098

www.electromate.com

sales@electromate.com

WINSTA®

Cable Dimensions

H05VV-F PVC Cables

Number and Size of Conductors	Outer Diameter	
	Min. (mm)	Max. (mm)
mm ²		
2 x 0.75	5.7	7.2
2 x 1	5.9	7.5
2 x 1.5	6.8	8.6
2 x 2.5	8.4	10.6
2 x 4	9.7	12.1
3 x 0.75	6.0	7.6
3 x 1	6.3	8.0
3 x 1.5	7.4	9.4
3 x 4	10.5	13.1
3G0.75	6.0	7.6
3G1	6.3	8.0
3G1.5	7.4	9.4
3G2.5	9.2	11.4
3G4	10.5	13.1
4 x 1	7.1	9.0
4 x 1.5	8.4	10.5
4G0.75	6.6	8.3
4G1	7.1	9.0
4G1.5	8.4	10.5
4G2.5	10.1	12.5
4G4	11.5	14.3
5G0.75	7.4	9.3
5G1	7.8	9.3
5G1.5	9.3	11.6
5G2.5	11.2	13.9

H05Z1Z1-F Halogen-Free Cables

Number and Size of Conductors	Outer Diameter	
	Min. (mm)	Max. (mm)
mm ²		
2 x 0.75	5.7	7.2
2 x 1	5.9	7.5
2 x 1.5	6.8	8.6
2 x 2.5	8.4	10.6
2 x 4	9.7	12.1
3 x 0.75	6.0	7.6
3 x 1	6.3	8.0
3 x 1.5	7.4	9.4
3 x 4	10.5	13.1
3G0.75	6.0	7.6
3G1	6.3	8.0
3G1.5	7.4	9.4
3G2.5	9.2	11.4
3G4	10.5	13.1
4 x 1	7.1	9.0
4 x 1.5	8.4	10.5
4G1	7.1	9.0
4G1.5	8.4	10.5
4G2.5	10.1	12.5
5G1	7.8	9.3
5G1.5	9.3	11.6
5G2.5	11.2	13.9
5G4	13.0	16.1

PVC Flat Cables

Number and Size of Conductors	Width x Height
	mm
mm ²	
2 x 1.5	10.9 x 6.1
3 x 2.5	16.9 x 6.5
5 x 2.5	24.0 x 6.1
5 x 2.5/2 x 1.5	31.9 x 6.1
5 x 10	38.6 x 10.1
5 x 16	48.5 x 11.3

Halogen-Free Flat Cables











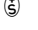




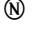



Number and Size of Conductors	Width x Height
	mm
mm ²	
2 x 1.5	10.9 x 6.1
3 x 2.5	16.4 x 6.3
5 x 2.5	24.1 x 6.1
5 x 4	24.1 x 6.1
5 x 2.5/2 x 1.5	31.9 x 6.1
5 x 10	38.6 x 10.1
5 x 16	48.5 x 11.3








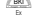
Sold & Serviced By:



Toll Free Phone (877) SERV098
www.electromate.com
sales@electromate.com

International Certification Organizations – Overview

	Abbreviation		Abbreviation	
	Underwriters Laboratories USA http://www.ul.com	UL	 Danmarks Elektriske Materielkontrol Dänemark http://www.demko.dk	DEMKO
	Underwriters Laboratories USA http://www.ul.com	UL	 CENELEC CERTIFICATION AGREEMENT Danmarks Elektriske Materielkontrol Dänemark http://www.cenelec.org	CCA Zul.-Nr. mit NL
Y	Underwriters Laboratories USA http://www.ul.com	cURus		
	Underwriters Laboratories USA http://www.ul.com	cULus	 SETI – FEMKO Sähkötarastuskeskus Elinspektionscentralen Finnland http://www.seti.fi	
	Canadian Standards Association Kanada http://www.csa.ca	CSA		
	VDE-Gutachten mit Fertigungsüberwachung Bundesrepublik Deutschland http://www.vde.de/vde/html/e/home.htm	VDE	 Sähkötarastuskeskus Elinspektionscentralen Finnland http://www.fimko.com	FIMKO
	VDE – Deutscher Verband für Elektrotechnik Bundesrepublik Deutschland http://www.vde.de		SABS South African Bureau of Standards Süd-Afrika http://www.sabs.co.za	SABS
VDE	VDE – Prüfbericht Bundesrepublik Deutschland		 RosTeST Russland http://www.rostest.ru	ROTEST
	Österreichischer Verband für Elektrotechnik Österreich http://www.ove.at	ÖVE	 Departamentul Moldovastandard Moldawien http://www.moldova.md/ro/government/oil/D_STAND/en/strcent2.htm	CSM
	Schweizerischer Elektrotechnischer Verein Schweiz http://www.sev.ch/	SEV	 Certificate of Registration Großbritannien http://www.astacertification.com	ASTA
	N.V. tot Keuring van Elektrotechnische Materialen Niederlande http://www.kema.nl	KEMA	 Rheinisch-Westfälischer Technischer Überwachungsverein e.V. Bundesrepublik Deutschland http://www.rwtuv.de	RWTÜV
CCA	CENELEC CERTIFICATION AGREEMENT N.V. tot Keuring van Elektrotechnische Materialen Niederlande http://www.cenelec.org	CCA Zul.-Nr. mit NL	 Elektrotechnický ústav Tschechien http://www.ezu.cz	EZU
	Norges Elektriske Materialkontroll Norwegen http://express.nemko.com	NEMKO	 Stowarzyszenie Elektryków Polskich Polen http://www.sep.com.pl	BBJ
	Svenska Elektriska Materielkontrollanstalten AB Schweden http://www.semko.com	SEMKO	 Stowarzyszenie Elektryków Polskich Polen http://www.bbj.pl	SEP

		Abbreviation			Abbreviation
CNET	Centre National d'Etudes des Télécommunications Frankreich http://www.lannion.cnet.fr	CNET		Robbanásbiztos Villamos Berendezések Ungarn http://www.bki.hu	BKI
LCIE	Laboratoire Central des Industries Electriques Frankreich http://www.lcie.fr	LCIE	CB	CB – TEST CERTIFICATE Indien http://www.ul-europe.com	CB
	Fyzikálne Technické Ústav, Ostrava-Radvanice Tschechien http://www.ftzu.cz	FTZU	CB	CB – TEST CERTIFICATE China http://www.ul-europe.com	CB
Marine Approvals				UL-International Demko A/S Dänemark http://www.ul-europe.com	ENEC
	Germanischer Lloyd Bundesrepublik Deutschland http://www.gl-group.com	GL	Ex Approvals		
	Bureau Veritas Frankreich http://www.bureauveritas.fr	BV		Physikalisch Technische Bundesanstalt Bundesrepublik Deutschland Ex e II http://www.ptb.de	PTB
	Lloyd's Register of Shipping Großbritannien http://www.lloydsregister.com	LR		Underwriters Laboratories USA http://www.ul.com	cURus-EX
	NV – Det Norske Veritas Norwegen http://www.dnv.com	DNV		N.V. tot Keuring van Elektrotechnische Materialien Niederlande http://www.kemaquality.com	KEMA-EX
	Russian Maritime Register of Shipping GUS http://www.rs-head.spb.ru	RMR	GOSENERGO-Ex	GOSENERGONADZOR Russland	GOSENERGO-EX
	Polski Rejestr Statków Polen http://www.prs.pl	PRS		Fyzikálne Technické Ústav, Ostrava-Radvanice Tschechien http://www.ftzu.cz	FTZU
	Korean Register of Shipping Korea http://www.krs.co.kr	KR		Robbanásbiztos Villamos Berendezések Ungarn http://www.bki.hu	BKI-Ex
	American Bureau of Shipping USA http://www.eagle.org	ABS			

Electrical Engineering Laboratory Product Safety for Our Customers

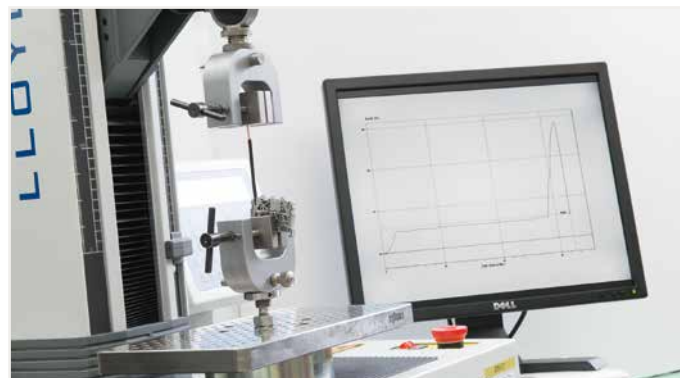
For global use, terminal blocks must satisfy certain standards and obtain test certificates. These requirements apply to every manufacturer. WAGO also conducts its own tests to increase standards and offer greater reliability with its products. Products undergo a full range of mechanical, electrical and climatic testing, and we'll share a few of those processes with you.

Pull-Out Test (per EN 60947-7-1, EN 60998-2-2)

During the pull-out force test, a conductor is pulled on until it is removed from the clamping unit. The design of the terminals means that extraction only occurs after the standard pull-out force has been exceeded many times over.

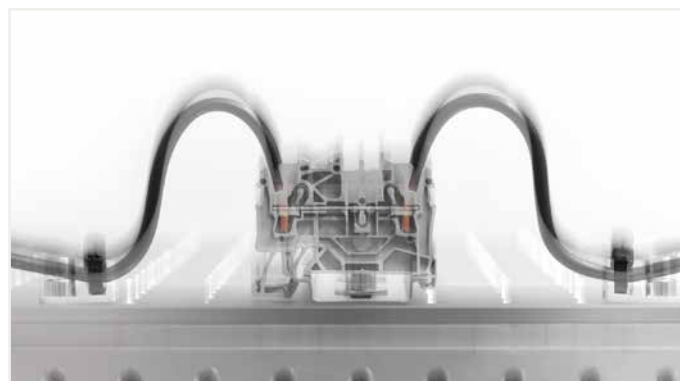
WAGO Test Lab

This means that WAGO's products can be used safely and reliably both in Europe and anywhere globally for a wide variety of applications. We heavily emphasize the importance of global acceptance during development. As a result, we can present documentation that verifies our high levels of product safety and reliability while ensuring the fulfillment and accuracy of technical data, which are the highest priorities for our customers and users worldwide. On December 22, 2009, our test lab was accredited by the German Accreditation Association (Deutsche Gesellschaft für Akkreditierung GmbH) in accordance with DIN EN ISO/IEC 17025.



Vibration Test (per IEC/EN 60068-2-6)

Depending on the application, such as railway (per EN 61373) or marine (per GL, LR, DNV), there are various testing requirements to determine if the long-term effects of vibrations degrade electrical connections. The test specimen is subjected to different loads on three axes in an electrodynamic vibration system. The amplitude, the acceleration, and particularly the frequency of the vibration vary during the test. The test values are increased many times over the standard values to meet special customer requirements.



Shock Test (per IEC/EN 60068-2-27)

The shock test is very similar to the vibration test except that, instead of continuous vibrations, single shocks are applied to the test specimen. Shock tests are usually performed, for example, at an acceleration of 20g over a period of 11 ms. Tests for special requirements often call for much higher values and are also conducted in our laboratory. Single-deck TOPJOB® S Rail-Mount Terminal Blocks, for example, pass shock tests up to 500g.



Voltage Drop Test under Bending Stress (per EN 60947-7-1, EN 60999-1)

The voltage drop test under bending stress simulates mechanical stress on the clamping unit. In everyday use, this stress can occur during installation, for example, when an electrician shoves connected conductors to the side in order to access a specific component. The quality of the clamping unit when moving a connected conductor can be validated by the constantly stable measured value of the voltage drop.





Deutsche Akkreditierungsstelle GmbH

Beliehene gemäß § 8 Absatz 1 AkkStelleG i.V.m. § 1 Absatz 1 AkkStelleGBV
Unterzeichnerin der Multilateralen Abkommen
von EA, ILAC und IAF zur gegenseitigen Anerkennung

Akkreditierung



Die Deutsche Akkreditierungsstelle GmbH bestätigt hiermit, dass das Prüflaboratorium

WAGO Kontakttechnik GmbH & Co. KG
Hansastraße 27, 32423 Minden

die Kompetenz nach DIN EN ISO/IEC 17025:2005 besitzt, Prüfungen in folgenden Bereichen durchzuführen:

**Elektrische und mechanische Prüfungen an Klemmen und Steckverbinder
sowie Umweltsimulation**

Die Akkreditierungsurkunde gilt nur in Verbindung mit dem Bescheid vom 18.12.2014 mit der Akkreditierungsnummer D-PL-19704-01 und ist gültig bis 17.12.2019. Sie besteht aus diesem Deckblatt, der Rückseite des Deckblatts und der folgenden Anlage mit insgesamt 5 Seiten.

Registrierungsnummer der Urkunde: **D-PL-19704-01-00**

Frankfurt am Main, 18.12.2014

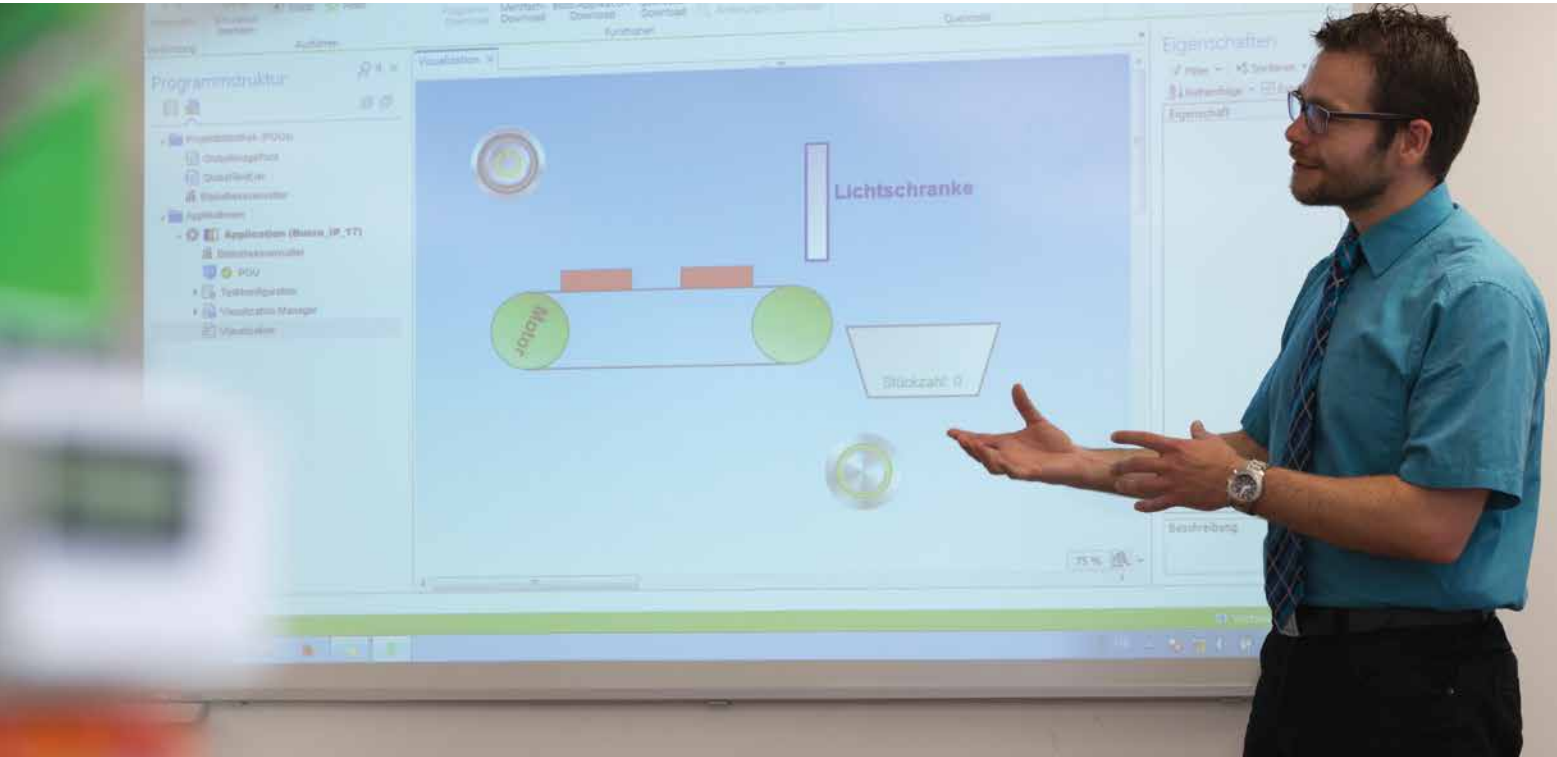
Siehe Hinweise auf der Rückseite

Im Auftrag Dipl.-Ing. (FH) Ralf Egner
Abteilungsleiter

A handwritten signature in blue ink, appearing to read 'R. Egner', is placed over the typed name and title.

WAGO Seminars

Learn Today – Benefit Tomorrow



Setting the Bar with Your Goals

Product-Related and Customer-Specific Seminars



Small Groups

The small class sizes of WAGO training seminars ensures that no question goes unanswered and no one is overlooked.



Teamwork

Learning as a group is very effective. Ideas can be discussed and exchanged while experiences can be shared – all for the benefit of the participants.



Practical Topics

Experience has shown that practice makes perfect. This is why the focus of every WAGO training seminar is on practical, hands-on learning.

WAGO Seminars

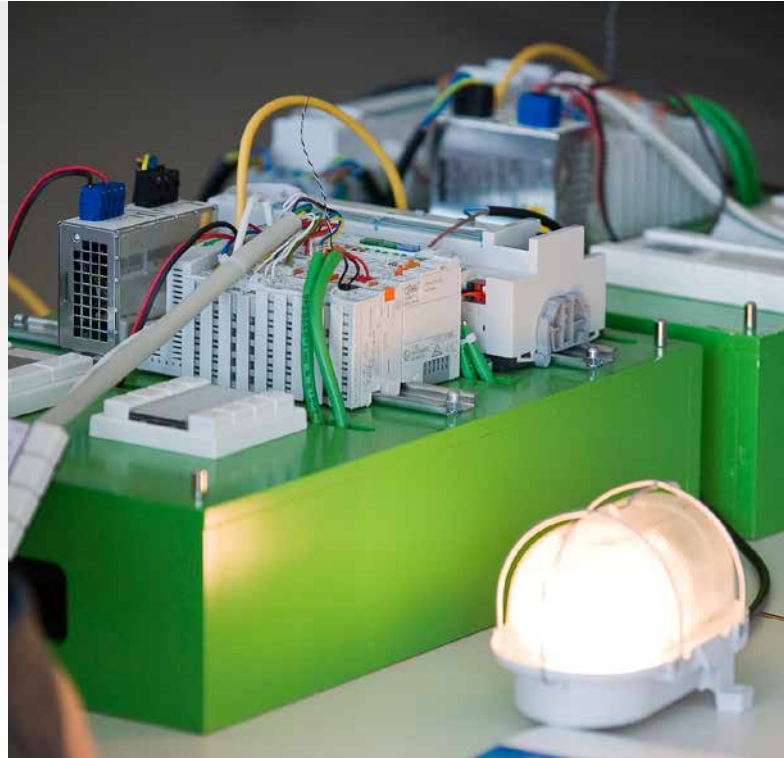
Experience the Benefits of First-Hand Knowledge and Expertise – Straight from the Source!

Our instructors are specialists who know all the ins and outs of WAGO's products. This ensures that the time devoted to each WAGO training seminar is an effective investment in expanding your own expertise.

Request your registration form by e-mail:

training@wago.com

**Contact your local
WAGO office.**



Product-Related Seminars

We regularly offer product-related seminars on the following topics:

- Building and industrial automation
- Programming of automation components
- Fieldbus systems

**Current Seminars:
www.wago.com**

Customer-Specific Seminars

In addition to these "open" seminars, we also offer seminars specially tailored to your organization and its particular needs. that are specifically tailored to your organization.

Upon request, we can also conduct these seminars at your location.

**Special
Corporate Seminars**

Success for generations: environmental protection at WAGO



At WAGO, we see environmental protection not only as compliance with environmental protection requirements.

As a growing company, our commitment to the environment drives our efforts to deliver new ideas, new concepts and new technologies along the product lifecycle. Here our employees and business partners support us.

Corporate environmental protection

Business growth also leads to higher consumption of resources. We have realized that the economic success of a company also depends on the achievement of environmental goals.

As a manufacturing company, we therefore support developments that make a contribution to environmental protection. In doing so, we always pursue individual material flows along the value chain, because we see resources, product design, production and consumption as a whole.

With our environmental management system certified in accordance with DIN EN ISO 14001, we ensure that the required national and international requirements are complied with in all areas of the company and that the concept of environmental protection is practiced in all corporate processes. In addition, WAGO is pursuing further efforts in the field of environmental protection that go far beyond the requirements of ISO

Some examples include the recycling of plastics, resource savings on product and packaging materials, the use of recycled paper throughout the company, the introduction of e-filling stations and the use of waste heat from production processes.

Product-related environmental protection

Product-related environmental protection is an important part of sustainable environmental management at WAGO. Ensuring compliance with substance bans / restrictions worldwide, such as: As REACH, RoHS has a high priority.

RoHS – Restriction of the use of certain Hazardous Substances

It is an EC directive that regulates the use of certain hazardous substances in electrical and electronic equipment. In addition to reducing the harmful effects on humans and the environment, legislation aims to improve recycling possibilities. WAGO closely monitors the development regarding RoHS and reacts promptly to specifications accordingly. For more information about RoHS please contact us via ehs-product-compliance@wago.com.

RoHS 
Compliant

Success for generations: environmental protection at WAGO

REACH – Registration, Evaluation and Authorisation of Chemicals

On 01.06.2007 the regulation (EC) no. 1907/2006 (REACH regulation) came into force and since then forms a valid legal basis for all EU member states. To protect human health and the environment, this EU Chemicals Regulation aims to classify and identify all chemicals, including their effects.

The REACH Regulation creates specific obligations for each actor in the supply chain. The products manufactured by WAGO are to be designated as products in the sense of the regulation. Since products are not subject to registration, WAGO usually assumes the role of the downstream user in the supply chain. WAGO therefore has an obligation to provide information along the supply chain in accordance with REACH Article 33. WAGO is naturally aware of this obligation.

BOMcheck.net

For more information about our reporting requirements according to REACH Article 33 please visit our website "REACH SVHC Declaration" via www.wago.com/svhc

BOMcheck

European legislation such as REACH or RoHS requires the provision of information on restricted ingredients in products. This information must be shared by manufacturers and suppliers in the supply chain. WAGO meets this challenge in product-related environmental protection successfully and efficiently with BOMcheck.

BOMcheck is a centralized database for the declaration of ingredients. It is a compliance tool specifically designed to enable manufacturers and suppliers to produce their substance declarations under REACH, RoHS, and other restrictions on ingredients in an efficient and structured manner. This Internet database system increases data quality in the area of product-related environmental protection.

Further information on BOMcheck can be found at the following link: <http://www.bomcheck.net>

WEEE – Waste of Electrical and Electronic Equipment

The WEEE Directive 2012/19/EU regulates the take-back and recycling of electrical and electronic equipment. Manufacturers and importers of electrical and electronic equipment are obliged to register as a 'WEEE producer' and to comply with the reporting and take-back obligations. As a matter of course, we have taken compliance with legal WEEE requirements very seriously all the time - in our own interest as well as in the well-understood interest of our customers.

Only some of our products fall within the scope of the WEEE Directive and the Member State's implementation laws. These products are WEEE-compliant marked by us, as far as such a marking is legally required (which is not required for the B2B area Europe-wide).

For more information about WEEE please contact us via ehs-product-compliance@wago.com.

Less is more: our packaging

Recycling is the basis for choosing our packaging materials. All packaging used by WAGO can be recycled in the economic cycle without further pretreatment. In addition to the aspect of recycling, emphasis is placed on resource conservation. For this reason, our cardboard boxes consist of 80% recycled paper and are marked with the Resy symbol. The Resy symbol guarantees compliance with the Packaging Ordinance for transport packaging. The labeling is partly done by perforation. This process enables the colorless printing of WAGO cardboard boxes. This avoids unnecessary environmental pollution.



Indexes and Addresses

Indexes and Addresses

	Page
<hr/> Product Index	518
<hr/> Item Number Index	520
<hr/> WAGO Worldwide	538
<hr/>	

Item	Page	Item	Page	Item	Page
T					
Technical information					
- WINSTA® KNX	397				
- WINSTA® IDC	411				
T-distribution connectors					
- WINSTA® MINI	25				
- WINSTA® MINI special	109				
- WINSTA® MIDI	169				
- WINSTA® MIDI special	299				
- WINSTA® KNX	397				
Tools	494				
W					
WAGO					
- in Germany	538				
- worldwide	538				
WAGO Script, visit www.wago.com					
Wire strippers	496				
Wiring aid, WINSTA®	498				
Y					
Y-cables	371				

Item Number Index

Item No.	Page	Item No.	Page	Item No.	Page	Item No.	Page
Serie 206		Serie 770		Serie 770		Serie 770	
206-118	496	770-244	333	770-383	193	770-657	213
206-1125	494	770-244/060-000	333	770-401	474	770-658	213
206-1126	494	770-244/062-000	333	770-405	259	770-659	272
206-1127	494	770-244/064-000	333	770-408	203	770-661	275
206-1128	494	770-245	349	770-415	259	770-665	210
206-1129	494	770-245/060-000	349	770-418	203	770-667	210
206-1131	494	770-245/062-000	349	770-425	259	770-670	210
206-1132	494	770-245/064-000	349	770-428	203	770-671	270
206-1403	494	770-252	303	770-435	259	770-672	271
206-1411	494	770-252/060-000	303	770-438	203	770-673	211
206-1412	494	770-253	316	770-450	499	770-674	248
206-1413	494	770-253/060-000	316	770-450/000-001	499	770-675	271
206-1414	494	770-253/062-000	316	770-450/000-002	499	770-676	247
206-1415	494	770-253/081-000	316	770-450/000-005	499	770-677	248
206-1418	494	770-254	333	770-450/000-006	499	770-680	486
		770-254/060-000	333	770-450/000-012	499	770-683	211
		770-254/062-000	333	770-502/041-000	477	770-684	212
		770-254/064-000	333	770-502/042-000	174	770-685	211
		770-255	349	770-503	195	770-686	212
		770-255/060-000	349	770-503/021-000	479	770-687	214
		770-255/062-000	349	770-503/023-000	478	770-688	215
		770-255/064-000	349	770-503/032-000	478	770-690	274
		770-262	303	770-503/035-000	479	770-693	93
		770-263	315	770-503/038-000	479	770-694	239
		770-263/071-000	315	770-504	236	770-695	261
		770-263/073-000	315	770-504/023-000	480	770-703	199
		770-264	333	770-505	256	770-703/009-000	200
		770-264/071-000	333	770-505/021-000	481	770-704	239
		770-264/072-000	333	770-505/023-000	481	770-704/009-000	240
		770-264/073-000	333	770-506/029-000	482	770-705	261
		770-265	349	770-507/047-000	483	770-705/009-000	263
		770-265/073-000	349	770-512/041-000	477	770-713	200
		770-272	303	770-512/042-000	174	770-713/007-000	201
		770-273	316	770-513	195	770-714	239
		770-273/071-000	316	770-513/021-000	479	770-714/007-000	240
		770-273/073-000	316	770-513/023-000	478	770-715	262
		770-274	333	770-513/032-000	478	770-715/007-000	263
		770-274/071-000	333	770-513/035-000	479	770-723	199
		770-274/072-000	333	770-513/038-000	479	770-723/009-000	200
		770-274/073-000	333	770-514	236	770-724	239
		770-275	349	770-514/023-000	480	770-724/009-000	240
		770-275/073-000	349	770-515	256	770-725	261
		770-282	303	770-515/021-000	481	770-725/009-000	263
		770-282/080-000	303	770-515/023-000	481	770-733	200
		770-282/082-000	303	770-516/029-000	482	770-733/007-000	201
		770-283	315	770-517/047-000	483	770-734	239
		770-283/081-000	315	770-523	477	770-734/007-000	240
		770-283/082-000	315	770-601	475	770-735	262
		770-284	333	770-603	209	770-735/007-000	263
		770-284/081-000	333	770-605	269	770-743	319
		770-285	349	770-606	210	770-743/060-000	319
		770-285/080-000	349	770-607	213	770-743/062-000	319
		770-285/082-000	349	770-608	213	770-744	335
		770-292	303	770-609	272	770-744/060-000	335
		770-292/080-000	303	770-611	275	770-744/062-000	335
		770-292/082-000	303	770-615	210	770-744/064-000	335
		770-293	316	770-617	270	770-745	351
		770-293/081-000	316	770-618	272	770-745/060-000	351
		770-293/082-000	316	770-619	269	770-745/062-000	351
		770-294	333	770-620	271	770-745/064-000	351
		770-294/081-000	333	770-621	270	770-753	319
		770-295	349	770-622	271	770-753/060-000	319
		770-295/080-000	349	770-623	211	770-753/062-000	319
		770-295/082-000	349	770-624	248	770-754	335
		770-305	258	770-625	271	770-754/060-000	335
		770-315	258	770-626	247	770-754/062-000	335
		770-317	484	770-627	248	770-754/064-000	335
		770-318	484	770-630	486	770-755	351
		770-319	485	770-633	211	770-755/060-000	351
		770-320	485	770-634	212	770-755/062-000	351
		770-321	485	770-635	211	770-755/064-000	351
		770-325	258	770-636	212	770-763	319
		770-335	258	770-637	214	770-763/071-000	319
		770-337	484	770-638	215	770-763/073-000	319
		770-338	484	770-640	274	770-764	335
		770-339	485	770-643	93	770-764/071-000	335
		770-340	485	770-644	239	770-764/072-000	335
		770-341	485	770-645	261	770-764/073-000	335
		770-354	475	770-653	209	770-765	351
		770-360	173	770-655	269	770-765/073-000	351
		770-382	173	770-656	210	770-773	319

Item No.	Page	Item No.	Page	Item No.	Page	Item No.	Page
Serie 770		Serie 770		Serie 770		Serie 770	
770-773/071-000	319	770-854/060-000	337	770-934	212	770-1713	325
770-773/073-000	319	770-854/062-000	337	770-936	212	770-1714	327
770-774	335	770-854/064-000	337	770-940	274	770-1715	327
770-774/071-000	335	770-855/011-000/060-000	354	770-944	248	770-1716	327
770-774/072-000	335	770-855/011-000/062-000	354	770-945	249	770-1731	341
770-774/073-000	335	770-855/011-000/064-000	354	770-951	269	770-1732	341
770-775	351	770-855/060-000	353	770-952	269	770-1733	341
770-775/073-000	351	770-855/062-000	353	770-953	269	770-1734	343
770-783	319	770-855/064-000	353	770-967	325	770-1735	343
770-783/081-000	319	770-863	321	770-970	325	770-1736	343
770-783/082-000	319	770-863/011-000	322	770-992	271	770-1741	357
770-784	335	770-863/011-000/071-000	322	770-993	272	770-1742	357
770-784/081-000	335	770-863/011-000/073-000	322	770-994	248	770-1743	357
770-785	351	770-863/071-000	321	770-995	249	770-1744	358
770-785/080-000	351	770-863/073-000	321	770-1102	174	770-1745	358
770-785/082-000	351	770-864	337	770-1105	256	770-1746	358
770-793	319	770-864/011-000	338	770-1112	175	770-1751	307
770-793/081-000	319	770-864/011-000/071-000	338	770-1115	257	770-1752	307
770-793/082-000	319	770-864/011-000/072-000	338	770-1162	174	770-1753	307
770-794	335	770-864/011-000/073-000	338	770-1165	256	770-1761	326
770-794/081-000	335	770-864/071-000	337	770-1172	175	770-1762	326
770-795	351	770-864/072-000	337	770-1175	257	770-1763	326
770-795/080-000	351	770-864/073-000	337	770-1303	195	770-1781	342
770-795/082-000	351	770-865	353	770-1305	256	770-1782	342
770-803	205	770-865/011-000	354	770-1313	196	770-1783	342
770-803/011-000	206	770-865/073-000	353	770-1315	257	770-1947	273
770-804	243	770-873	321	770-1324	236	770-2105	261
770-804/011-000	244	770-873/011-000	322	770-1325	256	770-2115	262
770-805	265	770-873/011-000/071-000	322	770-1334	236	770-2115/007-000	263
770-805/011-000	266	770-873/011-000/073-000	322	770-1335	257	770-2303	199
770-813	205	770-873/071-000	321	770-1343	195	770-2305	261
770-813/011-000	206	770-873/073-000	321	770-1353	196	770-2313	200
770-814	243	770-874	337	770-1363	195	770-2313/007-000	201
770-814/011-000	244	770-874/011-000	338	770-1373	196	770-2315	262
770-815	265	770-874/011-000/071-000	338	770-1373/146-000	214	770-2324	239
770-815/011-000	266	770-874/011-000/072-000	338	770-1373/147-000	214	770-2325	261
770-823	205	770-874/011-000/073-000	338	770-1373/148-000	214	770-2334	239
770-823/011-000	206	770-874/071-000	337	770-1373/149-000	214	770-2334/007-000	240
770-824	243	770-874/072-000	337	770-1601	305	770-2335	262
770-824/011-000	244	770-874/073-000	337	770-1602	305	770-2335/007-000	263
770-825	265	770-875/011-000/073-000	354	770-1603	305	770-2343	199
770-825/011-000	266	770-875/073-000	353	770-1606	177	770-2353	200
770-833	205	770-883	321	770-1608	306	770-2363	199
770-833/011-000	206	770-883/011-000	322	770-1609	306	770-3105	265
770-834	243	770-883/011-000/081-000	322	770-1610	306	770-3105/011-000	266
770-834/011-000	244	770-883/011-000/082-000	322	770-1612	325	770-3115	265
770-835	265	770-883/081-000	321	770-1613	325	770-3115/011-000	266
770-835/011-000	266	770-883/082-000	321	770-1615	178	770-6223	209
770-843	321	770-884	337	770-1626	178	770-6224	247
770-843/011-000	322	770-884/011-000	338	770-1627	178	770-6225	270
770-843/011-000/060-000	322	770-884/011-000/081-000	338	770-1631	341	770-7102	177
770-843/011-000/062-000	322	770-884/081-000	337	770-1632	341	770-7105	270
770-843/060-000	321	770-885	353	770-1633	341	770-7502	177
770-843/062-000	321	770-885/011-000/080-000	354	770-1634	178	770-7505	270
770-844	337	770-885/011-000/082-000	354	770-1636	179		
770-844/011-000	338	770-885/080-000	353	770-1641	357	Serie 771	
770-844/011-000/060-000	338	770-885/082-000	353	770-1642	357	771-5001/100-000	371
770-844/011-000/062-000	338	770-893	321	770-1643	357	771-5001/106-000	370
770-844/011-000/064-000	338	770-893/011-000	322	770-1651	307	771-5001/107-000	370
770-844/060-000	337	770-893/011-000/081-000	322	770-1652	307	771-5001/110-000	371
770-844/062-000	337	770-893/011-000/082-000	322	770-1653	307	771-5001/131-000	370
770-844/064-000	337	770-893/081-000	321	770-1656	177	771-5001/132-000	370
770-845	353	770-893/082-000	321	770-1658	306	771-5001/148-000	372
770-845/011-000	354	770-894	337	770-1659	306	771-5001/149-000	372
770-845/011-000/060-000	354	770-894/011-000	338	770-1660	306	771-5001/150-000	372
770-845/011-000/062-000	354	770-894/011-000/081-000	338	770-1661	326	771-5001/151-000	372
770-845/011-000/064-000	354	770-894/081-000	337	770-1662	326	771-5001/152-000	372
770-845/060-000	353	770-895/011-000	354	770-1663	326	771-5001/153-000	372
770-845/062-000	353	770-895/011-000/082-000	354	770-1665	178	771-5001/154-000	372
770-845/064-000	353	770-895/080-000	353	770-1681	342	771-5001/155-000	372
770-853	321	770-895/082-000	353	770-1682	342	771-5001/156-000	372
770-853/011-000	322	770-901	269	770-1683	342	771-5001/157-000	372
770-853/011-000/060-000	322	770-902	269	770-1684	178	771-5001/158-000	372
770-853/011-000/062-000	322	770-903	269	770-1686	179	771-5001/159-000	372
770-853/060-000	321	770-907	213	770-1701	305	771-5001/160-000	372
770-853/062-000	321	770-909	272	770-1702	305	771-5001/161-000	372
770-854	337	770-911	269	770-1703	305	771-5001/162-000	372
770-854/011-000	338	770-912	269	770-1704	308	771-5001/163-000	372
770-854/011-000/060-000	338	770-913	269	770-1705	308	771-5001/164-000	372
770-854/011-000/062-000	338	770-921	270	770-1706	308	771-5001/165-000	372
770-854/011-000/064-000	338	770-922	271	770-1712	325	771-5001/166-000	372

Item Number Index

Item No.	Page	Item No.	Page	Item No.	Page	Item No.	Page
Serie 771		Serie 771		Serie 771		Serie 771	
771-5001/167-000	372	771-6993/106-101	229	771-6993/207-102	231	771-8982/006-503	185
771-5001/168-000	372	771-6993/106-102	229	771-6993/207-201	231	771-8982/006-504	185
771-5001/169-000	372	771-6993/106-201	229	771-6993/207-202	231	771-8982/006-601	183
771-5001/170-000	372	771-6993/106-202	229	771-6993/207-301	231	771-8982/006-602	185
771-5001/171-000	372	771-6993/106-301	229	771-6993/207-302	231	771-8982/006-603	185
771-5001/172-000	372	771-6993/106-302	229	771-6993/207-401	231	771-8982/006-604	185
771-5001/173-000	372	771-6993/106-401	229	771-6993/207-402	231	771-8982/006-701	183
771-5001/174-000	372	771-6993/106-402	229	771-6993/207-501	231	771-8982/006-702	183
771-5001/175-000	372	771-6993/106-501	229	771-6993/207-502	231	771-8982/006-703	185
771-5001/176-000	372	771-6993/106-502	229	771-6993/207-601	231	771-8982/006-704	185
771-5001/177-000	372	771-6993/106-601	229	771-6993/207-602	231	771-8982/006-801	183
771-5001/178-000	372	771-6993/106-602	229	771-6993/207-701	231	771-8982/006-802	183
771-5001/179-000	372	771-6993/106-701	229	771-6993/207-702	231	771-8982/006-803	185
771-5001/180-000	373	771-6993/106-702	229	771-6993/207-801	231	771-8982/006-804	185
771-5001/181-000	373	771-6993/106-801	229	771-6993/207-802	231	771-8982/007-103	189
771-5001/182-000	373	771-6993/106-802	229	771-6993/216-101	230	771-8982/007-104	189
771-5001/183-000	373	771-6993/107-101	231	771-6993/216-102	230	771-8982/007-203	189
771-6993/006-101	229	771-6993/107-102	231	771-6993/216-201	230	771-8982/007-204	189
771-6993/006-102	229	771-6993/107-201	231	771-6993/216-202	230	771-8982/007-303	189
771-6993/006-201	229	771-6993/107-202	231	771-6993/216-301	230	771-8982/007-304	189
771-6993/006-202	229	771-6993/107-301	231	771-6993/216-302	230	771-8982/007-403	189
771-6993/006-301	229	771-6993/107-302	231	771-6993/216-401	230	771-8982/007-404	189
771-6993/006-302	229	771-6993/107-401	231	771-6993/216-402	230	771-8982/007-503	189
771-6993/006-401	229	771-6993/107-402	231	771-6993/216-501	230	771-8982/007-504	189
771-6993/006-402	229	771-6993/107-501	231	771-6993/216-502	230	771-8982/007-603	189
771-6993/006-501	229	771-6993/107-502	231	771-6993/216-601	230	771-8982/007-604	189
771-6993/006-502	229	771-6993/107-601	231	771-6993/216-602	230	771-8982/007-703	189
771-6993/006-601	229	771-6993/107-602	231	771-6993/216-701	230	771-8982/007-704	189
771-6993/006-602	229	771-6993/107-701	231	771-6993/216-702	230	771-8982/007-803	189
771-6993/006-701	229	771-6993/107-702	231	771-6993/216-801	230	771-8982/007-804	189
771-6993/006-702	229	771-6993/107-801	231	771-6993/216-802	230	771-8982/016-101	184
771-6993/006-801	229	771-6993/107-802	231	771-6993/217-101	232	771-8982/016-102	184
771-6993/006-802	229	771-6993/116-101	230	771-6993/217-102	232	771-8982/016-103	186
771-6993/007-101	231	771-6993/116-102	230	771-6993/217-201	232	771-8982/016-104	186
771-6993/007-102	231	771-6993/116-201	230	771-6993/217-202	232	771-8982/016-201	184
771-6993/007-201	231	771-6993/116-202	230	771-6993/217-301	232	771-8982/016-202	184
771-6993/007-202	231	771-6993/116-301	230	771-6993/217-302	232	771-8982/016-203	186
771-6993/007-301	231	771-6993/116-302	230	771-6993/217-401	232	771-8982/016-204	186
771-6993/007-302	231	771-6993/116-401	230	771-6993/217-402	232	771-8982/016-301	184
771-6993/007-401	231	771-6993/116-402	230	771-6993/217-501	232	771-8982/016-302	184
771-6993/007-402	231	771-6993/116-501	230	771-6993/217-502	232	771-8982/016-303	186
771-6993/007-501	231	771-6993/116-502	230	771-6993/217-601	232	771-8982/016-304	186
771-6993/007-502	231	771-6993/116-601	230	771-6993/217-602	232	771-8982/016-401	184
771-6993/007-601	231	771-6993/116-602	230	771-6993/217-701	232	771-8982/016-402	184
771-6993/007-602	231	771-6993/116-701	230	771-6993/217-702	232	771-8982/016-403	186
771-6993/007-701	231	771-6993/116-702	230	771-6993/217-801	232	771-8982/016-404	186
771-6993/007-702	231	771-6993/116-801	230	771-6993/217-802	232	771-8982/016-501	184
771-6993/007-801	231	771-6993/116-802	230	771-8965/007-101	285	771-8982/016-502	184
771-6993/007-802	231	771-6993/117-101	232	771-8965/007-102	285	771-8982/016-503	186
771-6993/016-101	230	771-6993/117-102	232	771-8965/007-201	285	771-8982/016-504	186
771-6993/016-102	230	771-6993/117-201	232	771-8965/007-202	285	771-8982/016-601	184
771-6993/016-201	230	771-6993/117-202	232	771-8965/017-101	286	771-8982/016-602	184
771-6993/016-202	230	771-6993/117-301	232	771-8965/017-102	286	771-8982/016-603	186
771-6993/016-301	230	771-6993/117-302	232	771-8965/017-201	286	771-8982/016-604	186
771-6993/016-302	230	771-6993/117-401	232	771-8965/017-202	286	771-8982/016-701	184
771-6993/016-401	230	771-6993/117-402	232	771-8965/107-101	285	771-8982/016-702	184
771-6993/016-402	230	771-6993/117-501	232	771-8965/107-102	285	771-8982/016-703	186
771-6993/016-501	230	771-6993/117-502	232	771-8965/107-201	285	771-8982/016-704	186
771-6993/016-502	230	771-6993/117-601	232	771-8965/107-202	285	771-8982/016-801	184
771-6993/016-601	230	771-6993/117-602	232	771-8965/117-101	286	771-8982/016-802	184
771-6993/016-602	230	771-6993/117-701	232	771-8965/117-102	286	771-8982/016-803	186
771-6993/016-701	230	771-6993/117-702	232	771-8965/117-201	286	771-8982/016-804	186
771-6993/016-702	230	771-6993/117-801	232	771-8965/117-202	286	771-8982/017-103	190
771-6993/016-801	230	771-6993/117-802	232	771-8982/006-101	183	771-8982/017-104	190
771-6993/016-802	230	771-6993/206-101	229	771-8982/006-102	183	771-8982/017-203	190
771-6993/017-101	232	771-6993/206-102	229	771-8982/006-103	185	771-8982/017-204	190
771-6993/017-102	232	771-6993/206-201	229	771-8982/006-104	185	771-8982/017-303	190
771-6993/017-201	232	771-6993/206-202	229	771-8982/006-201	183	771-8982/017-304	190
771-6993/017-202	232	771-6993/206-301	229	771-8982/006-202	183	771-8982/017-403	190
771-6993/017-301	232	771-6993/206-302	229	771-8982/006-203	185	771-8982/017-404	190
771-6993/017-302	232	771-6993/206-401	229	771-8982/006-204	185	771-8982/017-503	190
771-6993/017-401	232	771-6993/206-402	229	771-8982/006-301	183	771-8982/017-504	190
771-6993/017-402	232	771-6993/206-501	229	771-8982/006-302	183	771-8982/017-603	190
771-6993/017-501	232	771-6993/206-502	229	771-8982/006-303	185	771-8982/017-604	190
771-6993/017-502	232	771-6993/206-601	229	771-8982/006-304	185	771-8982/017-703	190
771-6993/017-601	232	771-6993/206-602	229	771-8982/006-401	183	771-8982/017-704	190
771-6993/017-602	232	771-6993/206-701	229	771-8982/006-402	183	771-8982/017-803	190
771-6993/017-701	232	771-6993/206-702	229	771-8982/006-403	185	771-8982/017-804	190
771-6993/017-702	232	771-6993/206-801	229	771-8982/006-404	185	771-8982/106-101	183
771-6993/017-801	232	771-6993/206-802	229	771-8982/006-501	183	771-8982/106-102	183
771-6993/017-802	232	771-6993/207-101	231	771-8982/006-502	183	771-8982/106-103	185

Item No.	Page	Item No.	Page	Item No.	Page	Item No.	Page
Serie 771		Serie 771		Serie 771		Serie 771	
771-8982/106-104	185	771-8982/117-303	190	771-8982/216-602	184	771-8985/017-403	292
771-8982/106-201	183	771-8982/117-304	190	771-8982/216-603	186	771-8985/017-404	292
771-8982/106-202	183	771-8982/117-403	190	771-8982/216-604	186	771-8985/017-503	292
771-8982/106-203	185	771-8982/117-404	190	771-8982/216-701	184	771-8985/017-504	292
771-8982/106-204	185	771-8982/117-503	190	771-8982/216-702	184	771-8985/017-603	292
771-8982/106-301	183	771-8982/117-504	190	771-8982/216-703	186	771-8985/017-604	292
771-8982/106-302	183	771-8982/117-603	190	771-8982/216-704	186	771-8985/017-703	292
771-8982/106-303	185	771-8982/117-604	190	771-8982/216-801	184	771-8985/017-704	292
771-8982/106-304	185	771-8982/117-703	190	771-8982/216-802	184	771-8985/017-803	292
771-8982/106-401	183	771-8982/117-704	190	771-8982/216-803	186	771-8985/017-804	292
771-8982/106-402	183	771-8982/117-803	190	771-8982/216-804	186	771-8985/106-103	281
771-8982/106-403	185	771-8982/117-804	190	771-8982/217-103	190	771-8985/106-104	281
771-8982/106-404	185	771-8982/206-101	183	771-8982/217-104	190	771-8985/106-203	281
771-8982/106-501	183	771-8982/206-102	183	771-8982/217-203	190	771-8985/106-204	281
771-8982/106-502	183	771-8982/206-103	185	771-8982/217-204	190	771-8985/106-303	281
771-8982/106-503	185	771-8982/206-104	185	771-8982/217-303	190	771-8985/106-304	281
771-8982/106-504	185	771-8982/206-201	183	771-8982/217-304	190	771-8985/106-403	281
771-8982/106-601	183	771-8982/206-202	183	771-8982/217-403	190	771-8985/106-404	281
771-8982/106-602	183	771-8982/206-203	185	771-8982/217-404	190	771-8985/106-503	281
771-8982/106-603	185	771-8982/206-204	185	771-8982/217-503	190	771-8985/106-504	281
771-8982/106-604	185	771-8982/206-301	183	771-8982/217-504	190	771-8985/106-603	281
771-8982/106-701	183	771-8982/206-302	183	771-8982/217-603	190	771-8985/106-604	281
771-8982/106-702	183	771-8982/206-303	185	771-8982/217-604	190	771-8985/106-703	281
771-8982/106-703	185	771-8982/206-304	185	771-8982/217-703	190	771-8985/106-704	281
771-8982/106-704	185	771-8982/206-401	183	771-8982/217-704	190	771-8985/106-803	281
771-8982/106-801	183	771-8982/206-402	183	771-8982/217-803	190	771-8985/106-804	281
771-8982/106-802	183	771-8982/206-403	185	771-8982/217-804	190	771-8985/107-103	291
771-8982/106-803	185	771-8982/206-404	185	771-8985/006-103	281	771-8985/107-104	291
771-8982/106-804	185	771-8982/206-501	183	771-8985/006-104	281	771-8985/107-203	291
771-8982/107-103	189	771-8982/206-502	183	771-8985/006-203	281	771-8985/107-204	291
771-8982/107-104	189	771-8982/206-503	185	771-8985/006-204	281	771-8985/107-303	291
771-8982/107-203	189	771-8982/206-504	185	771-8985/006-303	281	771-8985/107-304	291
771-8982/107-204	189	771-8982/206-601	183	771-8985/006-304	281	771-8985/107-403	291
771-8982/107-303	189	771-8982/206-602	183	771-8985/006-403	281	771-8985/107-404	291
771-8982/107-304	189	771-8982/206-603	185	771-8985/006-404	281	771-8985/107-503	291
771-8982/107-403	189	771-8982/206-604	185	771-8985/006-503	281	771-8985/107-504	291
771-8982/107-404	189	771-8982/206-701	183	771-8985/006-504	281	771-8985/107-603	291
771-8982/107-503	189	771-8982/206-702	183	771-8985/006-603	281	771-8985/107-604	291
771-8982/107-504	189	771-8982/206-703	185	771-8985/006-604	281	771-8985/107-703	291
771-8982/107-603	189	771-8982/206-704	185	771-8985/006-703	281	771-8985/107-704	291
771-8982/107-604	189	771-8982/206-801	183	771-8985/006-704	281	771-8985/107-803	291
771-8982/107-703	189	771-8982/206-802	183	771-8985/006-803	281	771-8985/107-804	291
771-8982/107-704	189	771-8982/206-803	185	771-8985/006-804	281	771-8985/116-103	282
771-8982/107-803	189	771-8982/206-804	185	771-8985/007-103	291	771-8985/116-104	282
771-8982/107-804	189	771-8982/207-103	189	771-8985/007-104	291	771-8985/116-203	282
771-8982/116-101	184	771-8982/207-104	189	771-8985/007-203	291	771-8985/116-204	282
771-8982/116-102	184	771-8982/207-203	189	771-8985/007-204	291	771-8985/116-303	282
771-8982/116-103	186	771-8982/207-204	189	771-8985/007-303	291	771-8985/116-304	282
771-8982/116-104	186	771-8982/207-303	189	771-8985/007-304	291	771-8985/116-403	282
771-8982/116-201	184	771-8982/207-304	189	771-8985/007-403	291	771-8985/116-404	282
771-8982/116-202	184	771-8982/207-403	189	771-8985/007-404	291	771-8985/116-503	282
771-8982/116-203	186	771-8982/207-404	189	771-8985/007-503	291	771-8985/116-504	282
771-8982/116-204	186	771-8982/207-503	189	771-8985/007-504	291	771-8985/116-603	282
771-8982/116-301	184	771-8982/207-504	189	771-8985/007-603	291	771-8985/116-604	282
771-8982/116-302	184	771-8982/207-603	189	771-8985/007-604	291	771-8985/116-703	282
771-8982/116-303	186	771-8982/207-604	189	771-8985/007-703	291	771-8985/116-704	282
771-8982/116-304	186	771-8982/207-703	189	771-8985/007-704	291	771-8985/116-803	282
771-8982/116-401	184	771-8982/207-704	189	771-8985/007-803	291	771-8985/116-804	282
771-8982/116-402	184	771-8982/207-803	189	771-8985/007-804	291	771-8985/117-103	292
771-8982/116-403	186	771-8982/207-804	189	771-8985/016-103	282	771-8985/117-104	292
771-8982/116-404	186	771-8982/216-101	184	771-8985/016-104	282	771-8985/117-203	292
771-8982/116-501	184	771-8982/216-102	184	771-8985/016-203	282	771-8985/117-204	292
771-8982/116-502	184	771-8982/216-103	186	771-8985/016-204	282	771-8985/117-303	292
771-8982/116-503	186	771-8982/216-104	186	771-8985/016-303	282	771-8985/117-304	292
771-8982/116-504	186	771-8982/216-201	184	771-8985/016-304	282	771-8985/117-403	292
771-8982/116-601	184	771-8982/216-202	184	771-8985/016-403	282	771-8985/117-404	292
771-8982/116-602	184	771-8982/216-203	186	771-8985/016-404	282	771-8985/117-503	292
771-8982/116-603	186	771-8982/216-204	186	771-8985/016-503	282	771-8985/117-504	292
771-8982/116-604	186	771-8982/216-301	184	771-8985/016-504	282	771-8985/117-603	292
771-8982/116-701	184	771-8982/216-302	184	771-8985/016-603	282	771-8985/117-604	292
771-8982/116-702	184	771-8982/216-303	186	771-8985/016-604	282	771-8985/117-703	292
771-8982/116-703	186	771-8982/216-304	186	771-8985/016-703	282	771-8985/117-704	292
771-8982/116-704	186	771-8982/216-401	184	771-8985/016-704	282	771-8985/117-803	292
771-8982/116-801	184	771-8982/216-402	184	771-8985/016-803	282	771-8985/117-804	292
771-8982/116-802	184	771-8982/216-403	186	771-8985/016-804	282	771-8985/206-103	281
771-8982/116-803	186	771-8982/216-404	186	771-8985/017-103	292	771-8985/206-104	281
771-8982/116-804	186	771-8982/216-501	184	771-8985/017-104	292	771-8985/206-203	281
771-8982/117-103	190	771-8982/216-502	184	771-8985/017-203	292	771-8985/206-204	281
771-8982/117-104	190	771-8982/216-503	186	771-8985/017-204	292	771-8985/206-303	281
771-8982/117-203	190	771-8982/216-504	186	771-8985/017-303	292	771-8985/206-304	281
771-8982/117-204	190	771-8982/216-601	184	771-8985/017-304	292	771-8985/206-403	281

Item Number Index

Item No.	Page	Item No.	Page	Item No.	Page	Item No.	Page
Serie 771		Serie 771		Serie 771		Serie 771	
771-8985/206-404	281	771-8992/006-101	181	771-8992/017-502	188	771-8992/107-601	187
771-8985/206-503	281	771-8992/006-102	181	771-8992/017-601	188	771-8992/107-602	187
771-8985/206-504	281	771-8992/006-103	312	771-8992/017-602	188	771-8992/107-701	187
771-8985/206-603	281	771-8992/006-105	312	771-8992/017-701	188	771-8992/107-702	187
771-8985/206-604	281	771-8992/006-107	312	771-8992/017-702	188	771-8992/107-801	187
771-8985/206-703	281	771-8992/006-201	181	771-8992/017-801	188	771-8992/107-802	187
771-8985/206-704	281	771-8992/006-202	181	771-8992/017-802	188	771-8992/116-101	182
771-8985/206-803	281	771-8992/006-203	312	771-8992/105-103	311	771-8992/116-102	182
771-8985/206-804	281	771-8992/006-205	312	771-8992/105-105	311	771-8992/116-201	182
771-8985/207-103	291	771-8992/006-207	312	771-8992/105-107	311	771-8992/116-202	182
771-8985/207-104	291	771-8992/006-301	181	771-8992/105-203	311	771-8992/116-301	182
771-8985/207-203	291	771-8992/006-302	181	771-8992/105-205	311	771-8992/116-302	182
771-8985/207-204	291	771-8992/006-303	312	771-8992/105-207	311	771-8992/116-401	182
771-8985/207-303	291	771-8992/006-305	312	771-8992/105-303	311	771-8992/116-402	182
771-8985/207-304	291	771-8992/006-307	312	771-8992/105-305	311	771-8992/116-501	182
771-8985/207-403	291	771-8992/006-401	181	771-8992/105-307	311	771-8992/116-502	182
771-8985/207-404	291	771-8992/006-402	181	771-8992/105-403	311	771-8992/116-601	182
771-8985/207-503	291	771-8992/006-403	312	771-8992/105-405	311	771-8992/116-602	182
771-8985/207-504	291	771-8992/006-405	312	771-8992/105-407	311	771-8992/116-701	182
771-8985/207-603	291	771-8992/006-407	312	771-8992/105-503	311	771-8992/116-702	182
771-8985/207-604	291	771-8992/006-501	181	771-8992/105-505	311	771-8992/116-801	182
771-8985/207-703	291	771-8992/006-502	181	771-8992/105-507	311	771-8992/116-802	182
771-8985/207-704	291	771-8992/006-503	312	771-8992/105-603	311	771-8992/117-101	188
771-8985/207-803	291	771-8992/006-505	312	771-8992/105-605	311	771-8992/117-102	188
771-8985/207-804	291	771-8992/006-507	312	771-8992/105-607	311	771-8992/117-201	188
771-8985/216-103	282	771-8992/006-601	181	771-8992/105-703	311	771-8992/117-202	188
771-8985/216-104	282	771-8992/006-602	181	771-8992/105-705	311	771-8992/117-301	188
771-8985/216-203	282	771-8992/006-603	312	771-8992/105-707	311	771-8992/117-302	188
771-8985/216-204	282	771-8992/006-605	312	771-8992/105-803	311	771-8992/117-401	188
771-8985/216-303	282	771-8992/006-607	312	771-8992/105-805	311	771-8992/117-402	188
771-8985/216-304	282	771-8992/006-701	181	771-8992/105-807	311	771-8992/117-501	188
771-8985/216-403	282	771-8992/006-702	181	771-8992/106-101	181	771-8992/117-502	188
771-8985/216-404	282	771-8992/006-703	312	771-8992/106-102	181	771-8992/117-601	188
771-8985/216-503	282	771-8992/006-705	312	771-8992/106-103	312	771-8992/117-602	188
771-8985/216-504	282	771-8992/006-707	312	771-8992/106-105	312	771-8992/117-701	188
771-8985/216-603	282	771-8992/006-801	181	771-8992/106-107	312	771-8992/117-702	188
771-8985/216-604	282	771-8992/006-802	181	771-8992/106-201	181	771-8992/117-801	188
771-8985/216-703	282	771-8992/006-803	312	771-8992/106-202	181	771-8992/117-802	188
771-8985/216-704	282	771-8992/006-805	312	771-8992/106-203	312	771-8992/205-103	311
771-8985/216-803	282	771-8992/006-807	312	771-8992/106-205	312	771-8992/205-105	311
771-8985/216-804	282	771-8992/007-101	187	771-8992/106-207	312	771-8992/205-107	311
771-8985/217-103	292	771-8992/007-102	187	771-8992/106-301	181	771-8992/205-203	311
771-8985/217-104	292	771-8992/007-201	187	771-8992/106-302	181	771-8992/205-205	311
771-8985/217-203	292	771-8992/007-202	187	771-8992/106-303	312	771-8992/205-207	311
771-8985/217-204	292	771-8992/007-301	187	771-8992/106-305	312	771-8992/205-303	311
771-8985/217-303	292	771-8992/007-302	187	771-8992/106-307	312	771-8992/205-305	311
771-8985/217-304	292	771-8992/007-401	187	771-8992/106-401	181	771-8992/205-307	311
771-8985/217-403	292	771-8992/007-402	187	771-8992/106-402	181	771-8992/205-403	311
771-8985/217-404	292	771-8992/007-501	187	771-8992/106-403	312	771-8992/205-405	311
771-8985/217-503	292	771-8992/007-502	187	771-8992/106-405	312	771-8992/205-407	311
771-8985/217-504	292	771-8992/007-601	187	771-8992/106-407	312	771-8992/205-503	311
771-8985/217-603	292	771-8992/007-602	187	771-8992/106-501	181	771-8992/205-505	311
771-8985/217-604	292	771-8992/007-701	187	771-8992/106-502	181	771-8992/205-507	311
771-8985/217-703	292	771-8992/007-702	187	771-8992/106-503	312	771-8992/205-603	311
771-8985/217-704	292	771-8992/007-801	187	771-8992/106-505	312	771-8992/205-605	311
771-8985/217-803	292	771-8992/007-802	187	771-8992/106-507	312	771-8992/205-607	311
771-8985/217-804	292	771-8992/016-101	182	771-8992/106-601	181	771-8992/205-703	311
771-8992/005-103	311	771-8992/016-102	182	771-8992/106-602	181	771-8992/205-705	311
771-8992/005-105	311	771-8992/016-201	182	771-8992/106-603	312	771-8992/205-707	311
771-8992/005-107	311	771-8992/016-202	182	771-8992/106-605	312	771-8992/205-803	311
771-8992/005-203	311	771-8992/016-301	182	771-8992/106-607	312	771-8992/205-805	311
771-8992/005-205	311	771-8992/016-302	182	771-8992/106-701	181	771-8992/205-807	311
771-8992/005-207	311	771-8992/016-401	182	771-8992/106-702	181	771-8992/206-101	181
771-8992/005-303	311	771-8992/016-402	182	771-8992/106-703	312	771-8992/206-102	181
771-8992/005-305	311	771-8992/016-501	182	771-8992/106-705	312	771-8992/206-103	312
771-8992/005-307	311	771-8992/016-502	182	771-8992/106-707	312	771-8992/206-105	312
771-8992/005-403	311	771-8992/016-601	182	771-8992/106-801	181	771-8992/206-107	312
771-8992/005-405	311	771-8992/016-602	182	771-8992/106-802	181	771-8992/206-201	181
771-8992/005-407	311	771-8992/016-701	182	771-8992/106-803	312	771-8992/206-202	181
771-8992/005-503	311	771-8992/016-702	182	771-8992/106-805	312	771-8992/206-203	312
771-8992/005-505	311	771-8992/016-801	182	771-8992/106-807	312	771-8992/206-205	312
771-8992/005-507	311	771-8992/016-802	182	771-8992/107-101	187	771-8992/206-207	312
771-8992/005-603	311	771-8992/017-101	188	771-8992/107-102	187	771-8992/206-301	181
771-8992/005-605	311	771-8992/017-102	188	771-8992/107-201	187	771-8992/206-302	181
771-8992/005-607	311	771-8992/017-201	188	771-8992/107-202	187	771-8992/206-303	312
771-8992/005-703	311	771-8992/017-202	188	771-8992/107-301	187	771-8992/206-305	312
771-8992/005-705	311	771-8992/017-301	188	771-8992/107-302	187	771-8992/206-307	312
771-8992/005-707	311	771-8992/017-302	188	771-8992/107-401	187	771-8992/206-401	181
771-8992/005-803	311	771-8992/017-401	188	771-8992/107-402	187	771-8992/206-402	181
771-8992/005-805	311	771-8992/017-402	188	771-8992/107-501	187	771-8992/206-403	312
771-8992/005-807	311	771-8992/017-501	188	771-8992/107-502	187	771-8992/206-405	312

Item No.	Page	Item No.	Page	Item No.	Page	Item No.	Page
Serie 771		Serie 771		Serie 771		Serie 771	
771-8992/206-407	312	771-8995/018-401	296	771-9973/016-202	220	771-9973/116-702	220
771-8992/206-501	181	771-8995/018-501	296	771-9973/016-205	222	771-9973/116-801	220
771-8992/206-502	181	771-8995/018-601	296	771-9973/016-301	220	771-9973/116-802	220
771-8992/206-503	312	771-8995/018-701	296	771-9973/016-302	220	771-9973/117-101	226
771-8992/206-505	312	771-8995/018-801	296	771-9973/016-305	222	771-9973/117-102	226
771-8992/206-507	312	771-8995/108-101	295	771-9973/016-401	220	771-9973/117-201	226
771-8992/206-601	181	771-8995/108-201	295	771-9973/016-402	220	771-9973/117-202	226
771-8992/206-602	181	771-8995/108-301	295	771-9973/016-405	222	771-9973/117-301	226
771-8992/206-603	312	771-8995/108-401	295	771-9973/016-501	220	771-9973/117-302	226
771-8992/206-605	312	771-8995/108-501	295	771-9973/016-502	220	771-9973/117-401	226
771-8992/206-607	312	771-8995/108-601	295	771-9973/016-505	222	771-9973/117-402	226
771-8992/206-701	181	771-8995/108-701	295	771-9973/016-601	220	771-9973/117-501	226
771-8992/206-702	181	771-8995/108-801	295	771-9973/016-602	220	771-9973/117-502	226
771-8992/206-703	312	771-8995/118-101	296	771-9973/016-605	222	771-9973/117-601	226
771-8992/206-705	312	771-8995/118-201	296	771-9973/016-701	220	771-9973/117-602	226
771-8992/206-707	312	771-8995/118-301	296	771-9973/016-702	220	771-9973/117-701	226
771-8992/206-801	181	771-8995/118-401	296	771-9973/016-705	222	771-9973/117-702	226
771-8992/206-802	181	771-8995/118-501	296	771-9973/016-801	220	771-9973/117-801	226
771-8992/206-803	312	771-8995/118-601	296	771-9973/016-802	220	771-9973/117-802	226
771-8992/206-805	312	771-8995/118-701	296	771-9973/016-805	222	771-9973/206-101	219
771-8992/206-807	312	771-8995/118-801	296	771-9973/017-101	226	771-9973/206-102	219
771-8992/207-101	187	771-8995/208-101	295	771-9973/017-102	226	771-9973/206-104	221
771-8992/207-102	187	771-8995/208-201	295	771-9973/017-201	226	771-9973/206-105	221
771-8992/207-201	187	771-8995/208-301	295	771-9973/017-202	226	771-9973/206-201	219
771-8992/207-202	187	771-8995/208-401	295	771-9973/017-301	226	771-9973/206-202	219
771-8992/207-301	187	771-8995/208-501	295	771-9973/017-302	226	771-9973/206-204	221
771-8992/207-302	187	771-8995/208-601	295	771-9973/017-401	226	771-9973/206-205	221
771-8992/207-401	187	771-8995/208-701	295	771-9973/017-402	226	771-9973/206-301	219
771-8992/207-402	187	771-8995/208-801	295	771-9973/017-501	226	771-9973/206-302	219
771-8992/207-501	187	771-8995/218-101	296	771-9973/017-502	226	771-9973/206-304	221
771-8992/207-502	187	771-8995/218-201	296	771-9973/017-601	226	771-9973/206-305	221
771-8992/207-601	187	771-8995/218-301	296	771-9973/017-602	226	771-9973/206-401	219
771-8992/207-602	187	771-8995/218-401	296	771-9973/017-701	226	771-9973/206-402	219
771-8992/207-701	187	771-8995/218-501	296	771-9973/017-702	226	771-9973/206-404	221
771-8992/207-702	187	771-8995/218-601	296	771-9973/017-801	226	771-9973/206-405	221
771-8992/207-801	187	771-8995/218-701	296	771-9973/017-802	226	771-9973/206-501	219
771-8992/207-802	187	771-8995/218-801	296	771-9973/106-101	219	771-9973/206-502	219
771-8992/216-101	182	771-9973/006-101	219	771-9973/106-102	219	771-9973/206-504	221
771-8992/216-102	182	771-9973/006-102	219	771-9973/106-201	219	771-9973/206-505	221
771-8992/216-201	182	771-9973/006-105	221	771-9973/106-202	219	771-9973/206-601	219
771-8992/216-202	182	771-9973/006-201	219	771-9973/106-301	219	771-9973/206-602	219
771-8992/216-301	182	771-9973/006-202	219	771-9973/106-302	219	771-9973/206-604	221
771-8992/216-302	182	771-9973/006-205	221	771-9973/106-401	219	771-9973/206-605	221
771-8992/216-401	182	771-9973/006-301	219	771-9973/106-402	219	771-9973/206-701	219
771-8992/216-402	182	771-9973/006-302	219	771-9973/106-501	219	771-9973/206-702	219
771-8992/216-501	182	771-9973/006-305	221	771-9973/106-502	219	771-9973/206-704	221
771-8992/216-502	182	771-9973/006-401	219	771-9973/106-601	219	771-9973/206-705	221
771-8992/216-601	182	771-9973/006-402	219	771-9973/106-602	219	771-9973/206-801	219
771-8992/216-602	182	771-9973/006-405	221	771-9973/106-701	219	771-9973/206-802	219
771-8992/216-701	182	771-9973/006-501	219	771-9973/106-702	219	771-9973/206-804	221
771-8992/216-702	182	771-9973/006-502	219	771-9973/106-801	219	771-9973/206-805	221
771-8992/216-801	182	771-9973/006-505	221	771-9973/106-802	219	771-9973/207-101	225
771-8992/216-802	182	771-9973/006-601	219	771-9973/107-101	225	771-9973/207-102	225
771-8992/217-101	188	771-9973/006-602	219	771-9973/107-102	225	771-9973/207-201	225
771-8992/217-102	188	771-9973/006-605	221	771-9973/107-201	225	771-9973/207-202	225
771-8992/217-201	188	771-9973/006-701	219	771-9973/107-202	225	771-9973/207-301	225
771-8992/217-202	188	771-9973/006-702	219	771-9973/107-301	225	771-9973/207-302	225
771-8992/217-301	188	771-9973/006-705	221	771-9973/107-302	225	771-9973/207-401	225
771-8992/217-302	188	771-9973/006-801	219	771-9973/107-401	225	771-9973/207-402	225
771-8992/217-401	188	771-9973/006-802	219	771-9973/107-402	225	771-9973/207-501	225
771-8992/217-402	188	771-9973/006-805	221	771-9973/107-501	225	771-9973/207-502	225
771-8992/217-501	188	771-9973/007-101	225	771-9973/107-502	225	771-9973/207-601	225
771-8992/217-502	188	771-9973/007-102	225	771-9973/107-601	225	771-9973/207-602	225
771-8992/217-601	188	771-9973/007-201	225	771-9973/107-602	225	771-9973/207-701	225
771-8992/217-602	188	771-9973/007-202	225	771-9973/107-701	225	771-9973/207-702	225
771-8992/217-701	188	771-9973/007-301	225	771-9973/107-702	225	771-9973/207-801	225
771-8992/217-702	188	771-9973/007-302	225	771-9973/107-801	225	771-9973/207-802	225
771-8992/217-801	188	771-9973/007-401	225	771-9973/107-802	225	771-9973/216-101	220
771-8992/217-802	188	771-9973/007-402	225	771-9973/116-101	220	771-9973/216-102	220
771-8993/1004-051	368	771-9973/007-501	225	771-9973/116-102	220	771-9973/216-104	222
771-8995/008-101	295	771-9973/007-502	225	771-9973/116-201	220	771-9973/216-105	222
771-8995/008-201	295	771-9973/007-601	225	771-9973/116-202	220	771-9973/216-201	220
771-8995/008-301	295	771-9973/007-602	225	771-9973/116-301	220	771-9973/216-202	220
771-8995/008-401	295	771-9973/007-701	225	771-9973/116-302	220	771-9973/216-204	222
771-8995/008-501	295	771-9973/007-702	225	771-9973/116-401	220	771-9973/216-205	222
771-8995/008-601	295	771-9973/007-801	225	771-9973/116-402	220	771-9973/216-301	220
771-8995/008-701	295	771-9973/007-802	225	771-9973/116-501	220	771-9973/216-302	220
771-8995/008-801	295	771-9973/016-101	220	771-9973/116-502	220	771-9973/216-304	222
771-8995/018-101	296	771-9973/016-102	220	771-9973/116-601	220	771-9973/216-305	222
771-8995/018-201	296	771-9973/016-105	222	771-9973/116-602	220	771-9973/216-401	220
771-8995/018-301	296	771-9973/016-201	220	771-9973/116-701	220	771-9973/216-402	220

Item No.	Page	Item No.	Page	Item No.	Page	Item No.	Page
Serie 771		Serie 771		Serie 771		Serie 771	
771-9985/116-201	280	771-9985/217-202	290	771-9993/007-301	223	771-9993/106-305	330
771-9985/116-202	280	771-9985/217-301	290	771-9993/007-302	223	771-9993/106-307	330
771-9985/116-301	280	771-9985/217-302	290	771-9993/007-401	223	771-9993/106-401	217
771-9985/116-302	280	771-9985/217-401	290	771-9993/007-402	223	771-9993/106-402	217
771-9985/116-401	280	771-9985/217-402	290	771-9993/007-501	223	771-9993/106-403	330
771-9985/116-402	280	771-9985/217-501	290	771-9993/007-502	223	771-9993/106-405	330
771-9985/116-501	280	771-9985/217-502	290	771-9993/007-601	223	771-9993/106-407	330
771-9985/116-502	280	771-9985/217-601	290	771-9993/007-602	223	771-9993/106-501	217
771-9985/116-601	280	771-9985/217-602	290	771-9993/007-701	223	771-9993/106-502	217
771-9985/116-602	280	771-9985/217-701	290	771-9993/007-702	223	771-9993/106-503	330
771-9985/116-701	280	771-9985/217-702	290	771-9993/007-801	223	771-9993/106-505	330
771-9985/116-702	280	771-9985/217-801	290	771-9993/007-802	223	771-9993/106-507	330
771-9985/116-801	280	771-9985/217-802	290	771-9993/016-101	218	771-9993/106-601	217
771-9985/116-802	280	771-9993/005-103	329	771-9993/016-102	218	771-9993/106-602	217
771-9985/117-101	290	771-9993/005-105	329	771-9993/016-201	218	771-9993/106-603	330
771-9985/117-102	290	771-9993/005-107	329	771-9993/016-202	218	771-9993/106-605	330
771-9985/117-201	290	771-9993/005-203	329	771-9993/016-301	218	771-9993/106-607	330
771-9985/117-202	290	771-9993/005-205	329	771-9993/016-302	218	771-9993/106-701	217
771-9985/117-301	290	771-9993/005-207	329	771-9993/016-401	218	771-9993/106-702	217
771-9985/117-302	290	771-9993/005-303	329	771-9993/016-402	218	771-9993/106-703	330
771-9985/117-401	290	771-9993/005-305	329	771-9993/016-501	218	771-9993/106-705	330
771-9985/117-402	290	771-9993/005-307	329	771-9993/016-502	218	771-9993/106-707	330
771-9985/117-501	290	771-9993/005-403	329	771-9993/016-601	218	771-9993/106-801	217
771-9985/117-502	290	771-9993/005-405	329	771-9993/016-602	218	771-9993/106-802	217
771-9985/117-601	290	771-9993/005-407	329	771-9993/016-701	218	771-9993/106-803	330
771-9985/117-602	290	771-9993/005-503	329	771-9993/016-702	218	771-9993/106-805	330
771-9985/117-701	290	771-9993/005-505	329	771-9993/016-801	218	771-9993/106-807	330
771-9985/117-702	290	771-9993/005-507	329	771-9993/016-802	218	771-9993/107-101	223
771-9985/117-801	290	771-9993/005-603	329	771-9993/017-101	224	771-9993/107-102	223
771-9985/117-802	290	771-9993/005-605	329	771-9993/017-102	224	771-9993/107-201	223
771-9985/206-101	279	771-9993/005-607	329	771-9993/017-201	224	771-9993/107-202	223
771-9985/206-102	279	771-9993/005-703	329	771-9993/017-202	224	771-9993/107-301	223
771-9985/206-201	279	771-9993/005-705	329	771-9993/017-301	224	771-9993/107-302	223
771-9985/206-202	279	771-9993/005-707	329	771-9993/017-302	224	771-9993/107-401	223
771-9985/206-301	279	771-9993/005-803	329	771-9993/017-401	224	771-9993/107-402	223
771-9985/206-302	279	771-9993/005-805	329	771-9993/017-402	224	771-9993/107-501	223
771-9985/206-401	279	771-9993/005-807	329	771-9993/017-501	224	771-9993/107-502	223
771-9985/206-402	279	771-9993/006-101	217	771-9993/017-502	224	771-9993/107-601	223
771-9985/206-501	279	771-9993/006-102	217	771-9993/017-601	224	771-9993/107-602	223
771-9985/206-502	279	771-9993/006-103	330	771-9993/017-602	224	771-9993/107-701	223
771-9985/206-601	279	771-9993/006-105	330	771-9993/017-701	224	771-9993/107-702	223
771-9985/206-602	279	771-9993/006-107	330	771-9993/017-702	224	771-9993/107-801	223
771-9985/206-701	279	771-9993/006-201	217	771-9993/017-801	224	771-9993/107-802	223
771-9985/206-702	279	771-9993/006-202	217	771-9993/017-802	224	771-9993/116-101	218
771-9985/206-801	279	771-9993/006-203	330	771-9993/105-103	329	771-9993/116-102	218
771-9985/206-802	279	771-9993/006-205	330	771-9993/105-105	329	771-9993/116-201	218
771-9985/207-101	289	771-9993/006-207	330	771-9993/105-107	329	771-9993/116-202	218
771-9985/207-102	289	771-9993/006-301	217	771-9993/105-203	329	771-9993/116-301	218
771-9985/207-201	289	771-9993/006-302	217	771-9993/105-205	329	771-9993/116-302	218
771-9985/207-202	289	771-9993/006-303	330	771-9993/105-207	329	771-9993/116-401	218
771-9985/207-301	289	771-9993/006-305	330	771-9993/105-303	329	771-9993/116-402	218
771-9985/207-302	289	771-9993/006-307	330	771-9993/105-305	329	771-9993/116-501	218
771-9985/207-401	289	771-9993/006-401	217	771-9993/105-307	329	771-9993/116-502	218
771-9985/207-402	289	771-9993/006-402	217	771-9993/105-403	329	771-9993/116-601	218
771-9985/207-501	289	771-9993/006-403	330	771-9993/105-405	329	771-9993/116-602	218
771-9985/207-502	289	771-9993/006-405	330	771-9993/105-407	329	771-9993/116-701	218
771-9985/207-601	289	771-9993/006-407	330	771-9993/105-503	329	771-9993/116-702	218
771-9985/207-602	289	771-9993/006-501	217	771-9993/105-505	329	771-9993/116-801	218
771-9985/207-701	289	771-9993/006-502	217	771-9993/105-507	329	771-9993/116-802	218
771-9985/207-702	289	771-9993/006-503	330	771-9993/105-603	329	771-9993/117-101	224
771-9985/207-801	289	771-9993/006-505	330	771-9993/105-605	329	771-9993/117-102	224
771-9985/207-802	289	771-9993/006-507	330	771-9993/105-607	329	771-9993/117-201	224
771-9985/216-101	280	771-9993/006-601	217	771-9993/105-703	329	771-9993/117-202	224
771-9985/216-102	280	771-9993/006-602	217	771-9993/105-705	329	771-9993/117-301	224
771-9985/216-201	280	771-9993/006-603	330	771-9993/105-707	329	771-9993/117-302	224
771-9985/216-202	280	771-9993/006-605	330	771-9993/105-803	329	771-9993/117-401	224
771-9985/216-301	280	771-9993/006-607	330	771-9993/105-805	329	771-9993/117-402	224
771-9985/216-302	280	771-9993/006-701	217	771-9993/105-807	329	771-9993/117-501	224
771-9985/216-401	280	771-9993/006-702	217	771-9993/106-101	217	771-9993/117-502	224
771-9985/216-402	280	771-9993/006-703	330	771-9993/106-102	217	771-9993/117-601	224
771-9985/216-501	280	771-9993/006-705	330	771-9993/106-103	330	771-9993/117-602	224
771-9985/216-502	280	771-9993/006-707	330	771-9993/106-105	330	771-9993/117-701	224
771-9985/216-601	280	771-9993/006-801	217	771-9993/106-107	330	771-9993/117-702	224
771-9985/216-602	280	771-9993/006-802	217	771-9993/106-201	217	771-9993/117-801	224
771-9985/216-701	280	771-9993/006-803	330	771-9993/106-202	217	771-9993/117-802	224
771-9985/216-702	280	771-9993/006-805	330	771-9993/106-203	330	771-9993/205-103	329
771-9985/216-801	280	771-9993/006-807	330	771-9993/106-205	330	771-9993/205-105	329
771-9985/216-802	280	771-9993/007-101	223	771-9993/106-207	330	771-9993/205-107	329
771-9985/217-101	290	771-9993/007-102	223	771-9993/106-301	217	771-9993/205-203	329
771-9985/217-102	290	771-9993/007-201	223	771-9993/106-302	217	771-9993/205-205	329
771-9985/217-201	290	771-9993/007-202	223	771-9993/106-303	330	771-9993/205-207	329

Item Number Index

Item No.	Page	Item No.	Page	Item No.	Page	Item No.	Page
Serie 771		Serie 771		Serie 771		Serie 771	
771-9993/205-303	329	771-9993/216-402	218	771-9994/005-307	345	771-9994/105-403	345
771-9993/205-305	329	771-9993/216-501	218	771-9994/005-403	345	771-9994/105-405	345
771-9993/205-307	329	771-9993/216-502	218	771-9994/005-405	345	771-9994/105-407	345
771-9993/205-403	329	771-9993/216-601	218	771-9994/005-407	345	771-9994/105-503	345
771-9993/205-405	329	771-9993/216-602	218	771-9994/005-503	345	771-9994/105-505	345
771-9993/205-407	329	771-9993/216-701	218	771-9994/005-505	345	771-9994/105-507	345
771-9993/205-503	329	771-9993/216-702	218	771-9994/005-507	345	771-9994/105-603	345
771-9993/205-505	329	771-9993/216-801	218	771-9994/005-603	345	771-9994/105-605	345
771-9993/205-507	329	771-9993/216-802	218	771-9994/005-605	345	771-9994/105-607	345
771-9993/205-603	329	771-9993/217-101	224	771-9994/005-607	345	771-9994/105-703	345
771-9993/205-605	329	771-9993/217-102	224	771-9994/005-703	345	771-9994/105-705	345
771-9993/205-607	329	771-9993/217-201	224	771-9994/005-705	345	771-9994/105-707	345
771-9993/205-703	329	771-9993/217-202	224	771-9994/005-707	345	771-9994/105-803	345
771-9993/205-705	329	771-9993/217-301	224	771-9994/005-803	345	771-9994/105-805	345
771-9993/205-707	329	771-9993/217-302	224	771-9994/005-805	345	771-9994/105-807	345
771-9993/205-803	329	771-9993/217-401	224	771-9994/005-807	345	771-9994/106-101	251
771-9993/205-805	329	771-9993/217-402	224	771-9994/006-101	251	771-9994/106-102	251
771-9993/205-807	329	771-9993/217-501	224	771-9994/006-102	251	771-9994/106-103	346
771-9993/206-101	217	771-9993/217-502	224	771-9994/006-103	346	771-9994/106-105	346
771-9993/206-102	217	771-9993/217-601	224	771-9994/006-105	346	771-9994/106-107	346
771-9993/206-103	330	771-9993/217-602	224	771-9994/006-107	346	771-9994/106-201	251
771-9993/206-105	330	771-9993/217-701	224	771-9994/006-201	251	771-9994/106-202	251
771-9993/206-107	330	771-9993/217-702	224	771-9994/006-202	251	771-9994/106-203	346
771-9993/206-201	217	771-9993/217-801	224	771-9994/006-203	346	771-9994/106-205	346
771-9993/206-202	217	771-9993/217-802	224	771-9994/006-205	346	771-9994/106-207	346
771-9993/206-203	330	771-9993/306-101	369	771-9994/006-207	346	771-9994/106-301	251
771-9993/206-205	330	771-9993/306-102	369	771-9994/006-301	251	771-9994/106-302	251
771-9993/206-207	330	771-9993/306-201	369	771-9994/006-302	251	771-9994/106-303	346
771-9993/206-301	217	771-9993/306-202	369	771-9994/006-303	346	771-9994/106-305	346
771-9993/206-302	217	771-9993/306-301	369	771-9994/006-305	346	771-9994/106-307	346
771-9993/206-303	330	771-9993/306-302	369	771-9994/006-307	346	771-9994/106-401	251
771-9993/206-305	330	771-9993/307-101	369	771-9994/006-401	251	771-9994/106-402	251
771-9993/206-307	330	771-9993/307-102	369	771-9994/006-402	251	771-9994/106-403	346
771-9993/206-401	217	771-9993/307-201	369	771-9994/006-403	346	771-9994/106-405	346
771-9993/206-402	217	771-9993/307-202	369	771-9994/006-405	346	771-9994/106-407	346
771-9993/206-403	330	771-9993/307-301	369	771-9994/006-407	346	771-9994/106-501	251
771-9993/206-405	330	771-9993/307-302	369	771-9994/006-501	251	771-9994/106-502	251
771-9993/206-407	330	771-9993/406-101	369	771-9994/006-502	251	771-9994/106-503	346
771-9993/206-501	217	771-9993/406-102	369	771-9994/006-503	346	771-9994/106-505	346
771-9993/206-502	217	771-9993/406-201	369	771-9994/006-505	346	771-9994/106-507	346
771-9993/206-503	330	771-9993/406-202	369	771-9994/006-507	346	771-9994/106-601	251
771-9993/206-505	330	771-9993/406-301	369	771-9994/006-601	251	771-9994/106-602	251
771-9993/206-507	330	771-9993/406-302	369	771-9994/006-602	251	771-9994/106-603	346
771-9993/206-601	217	771-9993/805-101	368	771-9994/006-603	346	771-9994/106-605	346
771-9993/206-602	217	771-9993/805-102	368	771-9994/006-605	346	771-9994/106-607	346
771-9993/206-603	330	771-9993/805-201	368	771-9994/006-607	346	771-9994/106-701	251
771-9993/206-605	330	771-9993/805-202	368	771-9994/006-701	251	771-9994/106-702	251
771-9993/206-607	330	771-9993/805-301	368	771-9994/006-702	251	771-9994/106-703	346
771-9993/206-701	217	771-9993/805-302	368	771-9994/006-703	346	771-9994/106-705	346
771-9993/206-702	217	771-9993/3206-101	217	771-9994/006-705	346	771-9994/106-707	346
771-9993/206-703	330	771-9993/3206-201	217	771-9994/006-707	346	771-9994/106-801	251
771-9993/206-705	330	771-9993/3206-301	217	771-9994/006-801	251	771-9994/106-802	251
771-9993/206-707	330	771-9993/3206-401	217	771-9994/006-802	251	771-9994/106-803	346
771-9993/206-801	217	771-9993/3206-501	217	771-9994/006-803	346	771-9994/106-805	346
771-9993/206-802	217	771-9993/3206-601	217	771-9994/006-805	346	771-9994/106-807	346
771-9993/206-803	330	771-9993/3206-701	217	771-9994/006-807	346	771-9994/116-101	252
771-9993/206-805	330	771-9993/3206-801	217	771-9994/016-101	252	771-9994/116-102	252
771-9993/206-807	330	771-9993/3216-101	218	771-9994/016-102	252	771-9994/116-201	252
771-9993/207-101	223	771-9993/3216-201	218	771-9994/016-201	252	771-9994/116-202	252
771-9993/207-102	223	771-9993/3216-301	218	771-9994/016-202	252	771-9994/116-301	252
771-9993/207-201	223	771-9993/3216-401	218	771-9994/016-301	252	771-9994/116-302	252
771-9993/207-202	223	771-9993/3216-501	218	771-9994/016-302	252	771-9994/116-401	252
771-9993/207-301	223	771-9993/3216-601	218	771-9994/016-401	252	771-9994/116-402	252
771-9993/207-302	223	771-9993/3216-701	218	771-9994/016-402	252	771-9994/116-501	252
771-9993/207-401	223	771-9993/3216-801	218	771-9994/016-501	252	771-9994/116-502	252
771-9993/207-402	223	771-9993/3217-101	224	771-9994/016-502	252	771-9994/116-601	252
771-9993/207-501	223	771-9993/3217-201	224	771-9994/016-601	252	771-9994/116-602	252
771-9993/207-502	223	771-9993/3217-301	224	771-9994/016-602	252	771-9994/116-701	252
771-9993/207-601	223	771-9993/3217-401	224	771-9994/016-701	252	771-9994/116-702	252
771-9993/207-602	223	771-9993/3217-501	224	771-9994/016-702	252	771-9994/116-801	252
771-9993/207-701	223	771-9993/3217-601	224	771-9994/016-801	252	771-9994/116-802	252
771-9993/207-702	223	771-9993/3217-701	224	771-9994/016-802	252	771-9994/205-103	345
771-9993/207-801	223	771-9993/3217-801	224	771-9994/105-103	345	771-9994/205-105	345
771-9993/207-802	223	771-9994/005-103	345	771-9994/105-105	345	771-9994/205-107	345
771-9993/216-101	218	771-9994/005-105	345	771-9994/105-107	345	771-9994/205-203	345
771-9993/216-102	218	771-9994/005-107	345	771-9994/105-203	345	771-9994/205-205	345
771-9993/216-201	218	771-9994/005-203	345	771-9994/105-205	345	771-9994/205-207	345
771-9993/216-202	218	771-9994/005-205	345	771-9994/105-207	345	771-9994/205-303	345
771-9993/216-301	218	771-9994/005-207	345	771-9994/105-303	345	771-9994/205-305	345
771-9993/216-302	218	771-9994/005-303	345	771-9994/105-305	345	771-9994/205-307	345
771-9993/216-401	218	771-9994/005-305	345	771-9994/105-307	345	771-9994/205-403	345

Item No.	Page	Item No.	Page	Item No.	Page	Item No.	Page
Serie 771		Serie 771		Serie 771		Serie 771	
771-9994/205-405	345	771-9995/005-407	361	771-9995/016-701	278	771-9995/106-803	362
771-9994/205-407	345	771-9995/005-503	361	771-9995/016-702	278	771-9995/106-805	362
771-9994/205-503	345	771-9995/005-505	361	771-9995/016-801	278	771-9995/106-807	362
771-9994/205-505	345	771-9995/005-507	361	771-9995/016-802	278	771-9995/107-101	287
771-9994/205-507	345	771-9995/005-603	361	771-9995/017-101	288	771-9995/107-102	287
771-9994/205-603	345	771-9995/005-605	361	771-9995/017-102	288	771-9995/107-201	287
771-9994/205-605	345	771-9995/005-607	361	771-9995/017-201	288	771-9995/107-202	287
771-9994/205-607	345	771-9995/005-703	361	771-9995/017-202	288	771-9995/107-301	287
771-9994/205-703	345	771-9995/005-705	361	771-9995/017-301	288	771-9995/107-302	287
771-9994/205-705	345	771-9995/005-707	361	771-9995/017-302	288	771-9995/107-401	287
771-9994/205-707	345	771-9995/005-803	361	771-9995/017-401	288	771-9995/107-402	287
771-9994/205-803	345	771-9995/005-805	361	771-9995/017-402	288	771-9995/107-501	287
771-9994/205-805	345	771-9995/005-807	361	771-9995/017-501	288	771-9995/107-502	287
771-9994/205-807	345	771-9995/006-101	277	771-9995/017-502	288	771-9995/107-601	287
771-9994/206-101	251	771-9995/006-102	277	771-9995/017-601	288	771-9995/107-602	287
771-9994/206-102	251	771-9995/006-103	362	771-9995/017-602	288	771-9995/107-701	287
771-9994/206-103	346	771-9995/006-105	362	771-9995/017-701	288	771-9995/107-702	287
771-9994/206-105	346	771-9995/006-107	362	771-9995/017-702	288	771-9995/107-801	287
771-9994/206-107	346	771-9995/006-201	277	771-9995/017-801	288	771-9995/107-802	287
771-9994/206-201	251	771-9995/006-202	277	771-9995/017-802	288	771-9995/116-101	278
771-9994/206-202	251	771-9995/006-203	362	771-9995/017-802	288	771-9995/116-102	278
771-9994/206-203	346	771-9995/006-205	362	771-9995/105-103	361	771-9995/116-201	278
771-9994/206-205	346	771-9995/006-207	362	771-9995/105-105	361	771-9995/116-202	278
771-9994/206-207	346	771-9995/006-301	277	771-9995/105-107	361	771-9995/116-301	278
771-9994/206-301	251	771-9995/006-302	277	771-9995/105-203	361	771-9995/116-302	278
771-9994/206-302	251	771-9995/006-303	362	771-9995/105-205	361	771-9995/116-401	278
771-9994/206-303	346	771-9995/006-305	362	771-9995/105-207	361	771-9995/116-402	278
771-9994/206-305	346	771-9995/006-307	362	771-9995/105-303	361	771-9995/116-501	278
771-9994/206-307	346	771-9995/006-401	277	771-9995/105-305	361	771-9995/116-502	278
771-9994/206-401	251	771-9995/006-402	277	771-9995/105-307	361	771-9995/116-601	278
771-9994/206-402	251	771-9995/006-403	362	771-9995/105-403	361	771-9995/116-602	278
771-9994/206-403	346	771-9995/006-405	362	771-9995/105-405	361	771-9995/116-602	278
771-9994/206-405	346	771-9995/006-407	362	771-9995/105-407	361	771-9995/116-701	278
771-9994/206-407	346	771-9995/006-501	277	771-9995/105-503	361	771-9995/116-702	278
771-9994/206-501	251	771-9995/006-502	277	771-9995/105-505	361	771-9995/116-801	278
771-9994/206-502	251	771-9995/006-503	362	771-9995/105-507	361	771-9995/116-802	278
771-9994/206-503	346	771-9995/006-505	362	771-9995/105-603	361	771-9995/117-101	288
771-9994/206-505	346	771-9995/006-507	362	771-9995/105-605	361	771-9995/117-102	288
771-9994/206-507	346	771-9995/006-601	277	771-9995/105-607	361	771-9995/117-201	288
771-9994/206-601	251	771-9995/006-602	277	771-9995/105-703	361	771-9995/117-202	288
771-9994/206-602	251	771-9995/006-603	362	771-9995/105-705	361	771-9995/117-301	288
771-9994/206-603	346	771-9995/006-605	362	771-9995/105-707	361	771-9995/117-302	288
771-9994/206-605	346	771-9995/006-607	362	771-9995/105-803	361	771-9995/117-401	288
771-9994/206-607	346	771-9995/006-701	277	771-9995/105-805	361	771-9995/117-402	288
771-9994/206-701	251	771-9995/006-702	277	771-9995/105-807	361	771-9995/117-501	288
771-9994/206-702	251	771-9995/006-703	362	771-9995/106-101	277	771-9995/117-502	288
771-9994/206-703	346	771-9995/006-705	362	771-9995/106-102	277	771-9995/117-601	288
771-9994/206-705	346	771-9995/006-707	362	771-9995/106-103	362	771-9995/117-602	288
771-9994/206-707	346	771-9995/006-801	277	771-9995/106-105	362	771-9995/117-701	288
771-9994/206-801	251	771-9995/006-802	277	771-9995/106-107	362	771-9995/117-702	288
771-9994/206-802	251	771-9995/006-803	362	771-9995/106-201	277	771-9995/117-801	288
771-9994/206-803	346	771-9995/006-805	362	771-9995/106-202	277	771-9995/117-802	288
771-9994/206-805	346	771-9995/006-807	362	771-9995/106-203	362	771-9995/205-103	361
771-9994/206-807	346	771-9995/007-101	287	771-9995/106-205	362	771-9995/205-105	361
771-9994/216-101	252	771-9995/007-102	287	771-9995/106-207	362	771-9995/205-107	361
771-9994/216-102	252	771-9995/007-102	287	771-9995/106-301	277	771-9995/205-203	361
771-9994/216-201	252	771-9995/007-201	287	771-9995/106-302	277	771-9995/205-205	361
771-9994/216-202	252	771-9995/007-202	287	771-9995/106-303	362	771-9995/205-207	361
771-9994/216-301	252	771-9995/007-301	287	771-9995/106-305	362	771-9995/205-303	361
771-9994/216-302	252	771-9995/007-302	287	771-9995/106-307	362	771-9995/205-305	361
771-9994/216-302	252	771-9995/007-401	287	771-9995/106-401	277	771-9995/205-307	361
771-9994/216-401	252	771-9995/007-402	287	771-9995/106-402	277	771-9995/205-403	361
771-9994/216-402	252	771-9995/007-501	287	771-9995/106-403	362	771-9995/205-405	361
771-9994/216-501	252	771-9995/007-502	287	771-9995/106-405	362	771-9995/205-407	361
771-9994/216-502	252	771-9995/007-601	287	771-9995/106-407	362	771-9995/205-503	361
771-9994/216-601	252	771-9995/007-602	287	771-9995/106-501	277	771-9995/205-505	361
771-9994/216-602	252	771-9995/007-701	287	771-9995/106-502	277	771-9995/205-507	361
771-9994/216-701	252	771-9995/007-702	287	771-9995/106-503	362	771-9995/205-603	361
771-9994/216-702	252	771-9995/007-801	287	771-9995/106-505	362	771-9995/205-605	361
771-9994/216-801	252	771-9995/007-802	287	771-9995/106-507	362	771-9995/205-607	361
771-9994/216-802	252	771-9995/016-101	278	771-9995/106-601	277	771-9995/205-703	361
771-9995/005-103	361	771-9995/016-102	278	771-9995/106-602	277	771-9995/205-705	361
771-9995/005-105	361	771-9995/016-201	278	771-9995/106-603	362	771-9995/205-707	361
771-9995/005-107	361	771-9995/016-202	278	771-9995/106-605	362	771-9995/205-803	361
771-9995/005-203	361	771-9995/016-301	278	771-9995/106-607	362	771-9995/205-805	361
771-9995/005-205	361	771-9995/016-302	278	771-9995/106-701	277	771-9995/205-807	361
771-9995/005-207	361	771-9995/016-401	278	771-9995/106-702	277	771-9995/206-101	277
771-9995/005-303	361	771-9995/016-402	278	771-9995/106-703	362	771-9995/206-102	277
771-9995/005-305	361	771-9995/016-501	278	771-9995/106-705	362	771-9995/206-103	362
771-9995/005-307	361	771-9995/016-502	278	771-9995/106-707	362	771-9995/206-105	362
771-9995/005-403	361	771-9995/016-601	278	771-9995/106-801	277	771-9995/206-107	362
771-9995/005-405	361	771-9995/016-602	278	771-9995/106-802	277	771-9995/206-201	277

Item Number Index

Item No.	Page	Item No.	Page	Item No.	Page	Item No.	Page
Serie 771		Serie 771		Serie 774		Serie 774	
771-9995/206-202	277	771-9995/217-802	288	774-9973/1516-805	386	774-9993/107-101	387
771-9995/206-203	362			774-9993/006-101	383	774-9993/107-102	387
771-9995/206-205	362	Serie 772		774-9993/006-102	383	774-9993/107-201	387
771-9995/206-207	362	772-260	415	774-9993/006-201	383	774-9993/107-202	387
771-9995/206-301	277	772-261	415	774-9993/006-202	383	774-9993/107-301	387
771-9995/206-302	277	772-262	416	774-9993/006-301	383	774-9993/107-302	387
771-9995/206-303	362	772-263	415	774-9993/006-302	383	774-9993/107-401	387
771-9995/206-305	362	772-264/060-000	415	774-9993/006-401	383	774-9993/107-402	387
771-9995/206-307	362	772-265/060-000	416	774-9993/006-402	383	774-9993/107-501	387
771-9995/206-401	277	772-266/060-000	415	774-9993/006-501	383	774-9993/107-502	387
771-9995/206-402	277	772-267	415	774-9993/006-502	383	774-9993/107-601	387
771-9995/206-403	362	772-268	416	774-9993/006-601	383	774-9993/107-602	387
771-9995/206-405	362	772-269	415	774-9993/006-602	383	774-9993/107-701	387
771-9995/206-407	362	772-271	415	774-9993/006-701	383	774-9993/107-702	387
771-9995/206-501	277	772-272	416	774-9993/006-702	383	774-9993/107-801	387
771-9995/206-502	277	Serie 774		774-9993/006-801	383	774-9993/107-802	387
771-9995/206-503	362	774-9973/006-105	385	774-9993/006-802	383	774-9993/116-101	384
771-9995/206-505	362	774-9973/006-205	385	774-9993/007-101	387	774-9993/116-102	384
771-9995/206-507	362	774-9973/006-305	385	774-9993/007-102	387	774-9993/116-201	384
771-9995/206-601	277	774-9973/006-405	385	774-9993/007-201	387	774-9993/116-202	384
771-9995/206-602	277	774-9973/006-505	385	774-9993/007-202	387	774-9993/116-301	384
771-9995/206-603	362	774-9973/006-605	385	774-9993/007-301	387	774-9993/116-302	384
771-9995/206-605	362	774-9973/006-705	385	774-9993/007-302	387	774-9993/116-401	384
771-9995/206-607	362	774-9973/006-805	385	774-9993/007-401	387	774-9993/116-402	384
771-9995/206-701	277	774-9973/016-105	386	774-9993/007-402	387	774-9993/116-501	384
771-9995/206-702	277	774-9973/016-205	386	774-9993/007-501	387	774-9993/116-502	384
771-9995/206-703	362	774-9973/016-305	386	774-9993/007-502	387	774-9993/116-601	384
771-9995/206-705	362	774-9973/016-405	386	774-9993/007-601	387	774-9993/116-602	384
771-9995/206-707	362	774-9973/016-505	386	774-9993/007-602	387	774-9993/116-701	384
771-9995/206-801	277	774-9973/016-605	386	774-9993/007-701	387	774-9993/116-702	384
771-9995/206-802	277	774-9973/016-705	386	774-9993/007-702	387	774-9993/116-801	384
771-9995/206-803	362	774-9973/016-805	386	774-9993/007-801	387	774-9993/116-802	384
771-9995/206-805	362	774-9973/106-105	385	774-9993/007-802	387	774-9993/117-101	388
771-9995/206-807	362	774-9973/106-205	385	774-9993/016-101	384	774-9993/117-102	388
771-9995/207-101	287	774-9973/106-305	385	774-9993/016-102	384	774-9993/117-201	388
771-9995/207-102	287	774-9973/106-405	385	774-9993/016-201	384	774-9993/117-202	388
771-9995/207-201	287	774-9973/106-505	385	774-9993/016-202	384	774-9993/117-301	388
771-9995/207-202	287	774-9973/106-605	385	774-9993/016-301	384	774-9993/117-302	388
771-9995/207-301	287	774-9973/106-705	385	774-9993/016-302	384	774-9993/117-401	388
771-9995/207-302	287	774-9973/106-805	385	774-9993/016-401	384	774-9993/117-402	388
771-9995/207-401	287	774-9973/106-905	385	774-9993/016-402	384	774-9993/117-501	388
771-9995/207-402	287	774-9973/116-105	386	774-9993/016-501	384	774-9993/117-502	388
771-9995/207-501	287	774-9973/116-205	386	774-9993/016-502	384	774-9993/117-601	388
771-9995/207-502	287	774-9973/116-305	386	774-9993/016-601	384	774-9993/117-602	388
771-9995/207-601	287	774-9973/116-405	386	774-9993/016-602	384	774-9993/117-701	388
771-9995/207-602	287	774-9973/116-505	386	774-9993/016-701	384	774-9993/117-702	388
771-9995/207-701	287	774-9973/116-605	386	774-9993/016-702	384	774-9993/117-801	388
771-9995/207-702	287	774-9973/116-705	386	774-9993/016-801	384	774-9993/117-802	388
771-9995/207-801	287	774-9973/116-805	386	774-9993/016-802	384	774-9993/206-101	383
771-9995/207-802	287	774-9973/206-105	385	774-9993/017-101	388	774-9993/206-102	383
771-9995/216-101	278	774-9973/206-205	385	774-9993/017-102	388	774-9993/206-201	383
771-9995/216-102	278	774-9973/206-305	385	774-9993/017-201	388	774-9993/206-202	383
771-9995/216-201	278	774-9973/206-405	385	774-9993/017-202	388	774-9993/206-301	383
771-9995/216-202	278	774-9973/206-505	385	774-9993/017-301	388	774-9993/206-302	383
771-9995/216-301	278	774-9973/206-605	385	774-9993/017-302	388	774-9993/206-401	383
771-9995/216-302	278	774-9973/206-705	385	774-9993/017-401	388	774-9993/206-402	383
771-9995/216-401	278	774-9973/206-805	385	774-9993/017-402	388	774-9993/206-501	383
771-9995/216-402	278	774-9973/216-105	386	774-9993/017-501	388	774-9993/206-502	383
771-9995/216-501	278	774-9973/216-205	386	774-9993/017-502	388	774-9993/206-601	383
771-9995/216-502	278	774-9973/216-305	386	774-9993/017-601	388	774-9993/206-602	383
771-9995/216-601	278	774-9973/216-405	386	774-9993/017-602	388	774-9993/206-701	383
771-9995/216-602	278	774-9973/216-505	386	774-9993/017-701	388	774-9993/206-702	383
771-9995/216-701	278	774-9973/216-605	386	774-9993/017-702	388	774-9993/206-801	383
771-9995/216-702	278	774-9973/216-705	386	774-9993/017-801	388	774-9993/206-802	383
771-9995/216-801	278	774-9973/216-805	386	774-9993/017-802	388	774-9993/207-101	387
771-9995/216-802	278	774-9973/1506-105	385	774-9993/106-101	383	774-9993/207-102	387
771-9995/217-101	288	774-9973/1506-205	385	774-9993/106-102	383	774-9993/207-201	387
771-9995/217-102	288	774-9973/1506-305	385	774-9993/106-201	383	774-9993/207-202	387
771-9995/217-201	288	774-9973/1506-405	385	774-9993/106-202	383	774-9993/207-301	387
771-9995/217-202	288	774-9973/1506-505	385	774-9993/106-301	383	774-9993/207-302	387
771-9995/217-301	288	774-9973/1506-605	385	774-9993/106-302	383	774-9993/207-401	387
771-9995/217-302	288	774-9973/1506-705	385	774-9993/106-401	383	774-9993/207-402	387
771-9995/217-401	288	774-9973/1506-805	385	774-9993/106-402	383	774-9993/207-501	387
771-9995/217-402	288	774-9973/1516-105	386	774-9993/106-501	383	774-9993/207-502	387
771-9995/217-501	288	774-9973/1516-205	386	774-9993/106-502	383	774-9993/207-601	387
771-9995/217-502	288	774-9973/1516-305	386	774-9993/106-601	383	774-9993/207-602	387
771-9995/217-601	288	774-9973/1516-405	386	774-9993/106-602	383	774-9993/207-701	387
771-9995/217-602	288	774-9973/1516-505	386	774-9993/106-701	383	774-9993/207-702	387
771-9995/217-701	288	774-9973/1516-605	386	774-9993/106-702	383	774-9993/207-801	387
771-9995/217-702	288	774-9973/1516-705	386	774-9993/106-801	383	774-9993/207-802	387
771-9995/217-801	288	774-9973/1516-805	386	774-9993/106-802	383	774-9993/216-101	384

Item No.	Page	Item No.	Page	Item No.	Page	Item No.	Page
Serie 774		Serie 774		Serie 890		Serie 890	
774-9993/216-102	384	774-9994/106-201	393	890-122	30	890-285/082-000	157
774-9993/216-201	384	774-9994/106-202	393	890-123	51	890-292	113
774-9993/216-202	384	774-9994/106-301	393	890-124	71	890-292/080-000	113
774-9993/216-301	384	774-9994/106-302	393	890-125	89	890-292/082-000	113
774-9993/216-302	384	774-9994/106-401	393	890-131	29	890-293	127
774-9993/216-401	384	774-9994/106-402	393	890-132	30	890-293/081-000	127
774-9993/216-402	384	774-9994/106-501	393	890-133	51	890-293/082-000	127
774-9993/216-501	384	774-9994/106-502	393	890-134	71	890-294	141
774-9993/216-502	384	774-9994/106-601	393	890-135	89	890-294/081-000	141
774-9993/216-601	384	774-9994/106-602	393	890-202	31	890-295	157
774-9993/216-602	384	774-9994/106-701	393	890-202/342-000	29	890-295/080-000	157
774-9993/216-701	384	774-9994/106-702	393	890-203	52	890-295/082-000	157
774-9993/216-702	384	774-9994/106-801	393	890-204	72	890-302	486
774-9993/216-801	384	774-9994/106-802	393	890-205	90	890-303	486
774-9993/216-802	384	774-9994/116-101	394	890-212	31	890-304	486
774-9993/217-101	388	774-9994/116-102	394	890-212/342-000	29	890-305	486
774-9993/217-102	388	774-9994/116-201	394	890-213	52	890-310	29
774-9993/217-201	388	774-9994/116-202	394	890-214	72	890-311	29
774-9993/217-202	388	774-9994/116-301	394	890-215	90	890-382	29
774-9993/217-301	388	774-9994/116-302	394	890-222	31	890-383	51
774-9993/217-302	388	774-9994/116-401	394	890-223	52	890-384	71
774-9993/217-401	388	774-9994/116-402	394	890-224	72	890-385	89
774-9993/217-402	388	774-9994/116-501	394	890-225	90	890-502	31
774-9993/217-501	388	774-9994/116-502	394	890-232	31	890-502/342-000	31
774-9993/217-502	388	774-9994/116-601	394	890-233	52	890-503	52
774-9993/217-601	388	774-9994/116-602	394	890-234	72	890-504	72
774-9993/217-602	388	774-9994/116-701	394	890-235	90	890-505	90
774-9993/217-701	388	774-9994/116-702	394	890-242	113	890-512	31
774-9993/217-702	388	774-9994/116-801	394	890-242/060-000	113	890-512/342-000	31
774-9993/217-801	388	774-9994/116-802	394	890-243	127	890-513	52
774-9993/217-802	388	774-9994/206-101	393	890-243/060-000	127	890-514	72
774-9993/1507-101	387	774-9994/206-102	393	890-243/062-000	127	890-515	90
774-9993/1507-201	387	774-9994/206-201	393	890-244	141	890-523	469
774-9993/1507-301	387	774-9994/206-202	393	890-244/060-000	141	890-524	469
774-9993/1507-401	387	774-9994/206-301	393	890-244/062-000	141	890-525	469
774-9993/1507-501	387	774-9994/206-302	393	890-244/064-000	141	890-526	469
774-9993/1507-601	387	774-9994/206-401	393	890-245	157	890-527	469
774-9993/1507-701	387	774-9994/206-402	393	890-245/060-000	157	890-601	470
774-9993/1507-801	387	774-9994/206-501	393	890-245/062-000	157	890-603	61
774-9993/1517-101	388	774-9994/206-502	393	890-252	113	890-604	81
774-9993/1517-201	388	774-9994/206-601	393	890-252/060-000	113	890-605	99
774-9993/1517-301	388	774-9994/206-602	393	890-253	127	890-606	61
774-9993/1517-401	388	774-9994/206-701	393	890-253/060-000	127	890-615	62
774-9993/1517-501	388	774-9994/206-702	393	890-253/062-000	127	890-617	99
774-9993/1517-601	388	774-9994/206-801	393	890-254	141	890-619	99
774-9993/1517-701	388	774-9994/206-802	393	890-254/060-000	141	890-620	100
774-9993/1517-801	388	774-9994/216-101	394	890-254/062-000	141	890-621	99
774-9994/006-101	393	774-9994/216-102	394	890-254/064-000	141	890-622	100
774-9994/006-102	393	774-9994/216-201	394	890-255	157	890-623	62
774-9994/006-201	393	774-9994/216-202	394	890-255/060-000	157	890-624	82
774-9994/006-202	393	774-9994/216-301	394	890-255/062-000	157	890-625	100
774-9994/006-301	393	774-9994/216-302	394	890-262	113	890-626	81
774-9994/006-302	393	774-9994/216-401	394	890-263	127	890-627	82
774-9994/006-401	393	774-9994/216-402	394	890-263/071-000	127	890-634	62
774-9994/006-402	393	774-9994/216-501	394	890-263/073-000	127	890-636	63
774-9994/006-501	393	774-9994/216-502	394	890-264	141	890-642	33
774-9994/006-502	393	774-9994/216-601	394	890-264/071-000	141	890-643	55
774-9994/006-601	393	774-9994/216-602	394	890-264/072-000	141	890-644	75
774-9994/006-602	393	774-9994/216-701	394	890-264/073-000	141	890-653	61
774-9994/006-701	393	774-9994/216-702	394	890-265	157	890-654	81
774-9994/006-702	393	774-9994/216-801	394	890-265/073-000	157	890-655	99
774-9994/006-801	393	774-9994/216-802	394	890-272	113	890-656	61
774-9994/006-802	393			890-273	127	890-665	62
774-9994/016-101	394	Serie 831		890-273/071-000	127	890-671	99
774-9994/016-102	394	831-3105/1019-004	379	890-273/073-000	127	890-672	100
774-9994/016-201	394	831-3105/1019-050	379	890-274	141	890-673	62
774-9994/016-202	394	831-3205/1020-004	379	890-274/071-000	141	890-674	82
774-9994/016-301	394	831-3205/1020-050	379	890-274/072-000	141	890-675	100
774-9994/016-302	394			890-274/073-000	141	890-676	81
774-9994/016-401	394	Serie 890		890-275	157	890-677	82
774-9994/016-402	394	890-101	29	890-275/073-000	157	890-684	62
774-9994/016-501	394	890-102	30	890-282	113	890-686	63
774-9994/016-502	394	890-103	51	890-282/080-000	113	890-692	33
774-9994/016-601	394	890-104	71	890-282/082-000	113	890-693	55
774-9994/016-602	394	890-105	89	890-283	127	890-694	75
774-9994/016-701	394	890-111	29	890-283/081-000	127	890-702	33
774-9994/016-702	394	890-112	30	890-283/082-000	127	890-703	55
774-9994/016-801	394	890-113	51	890-284	141	890-704	75
774-9994/016-802	394	890-114	71	890-284/081-000	141	890-705	93
774-9994/106-101	393	890-115	89	890-285	157	890-705/006-000	93
774-9994/106-102	393	890-121	29	890-285/080-000	157	890-712	33

Item Number Index

Item No.	Page	Item No.	Page	Item No.	Page	Item No.	Page
Serie 890		Serie 890		Serie 890		Serie 891	
890-713	55	890-803/011-000	58	890-979	100	891-8982/006-802	47
890-714	75	890-804	77	890-980	101	891-8982/016-101	48
890-715	93	890-804/011-000	78	890-982	100	891-8982/016-102	48
890-722	33	890-805	95	890-983	101	891-8982/016-201	48
890-723	55	890-805/011-000	96	890-994	82	891-8982/016-202	48
890-724	75	890-812	35	890-995	83	891-8982/016-301	48
890-725	93	890-812/011-000	36	890-1102	31	891-8982/016-302	48
890-725/006-000	93	890-813	57	890-1105	90	891-8982/016-401	48
890-732	33	890-813/011-000	58	890-1112	31	891-8982/016-402	48
890-733	55	890-814	77	890-1115	90	891-8982/016-501	48
890-734	75	890-814/011-000	78	890-1601	121	891-8982/016-502	48
890-735	93	890-815	95	890-1602	121	891-8982/016-601	48
890-742	115	890-815/011-000	96	890-1603	121	891-8982/016-602	48
890-742/060-000	115	890-822	35	890-1606	39	891-8982/016-701	48
890-743	129	890-822/011-000	36	890-1615	39	891-8982/016-702	48
890-743/060-000	129	890-823	57	890-1617	39	891-8982/016-801	48
890-743/062-000	129	890-823/011-000	58	890-1620	39	891-8982/016-802	48
890-744	143	890-824	77	890-1622	40	891-8982/106-101	47
890-744/060-000	143	890-824/011-000	78	890-1631	149	891-8982/106-102	47
890-744/062-000	143	890-825	95	890-1632	149	891-8982/106-201	47
890-744/064-000	143	890-825/011-000	96	890-1633	149	891-8982/106-202	47
890-745	159	890-832	35	890-1634	40	891-8982/106-301	47
890-745/060-000	159	890-832/011-000	36	890-1636	40	891-8982/106-302	47
890-745/062-000	159	890-833	57	890-1656	39	891-8982/106-401	47
890-752	115	890-833/011-000	58	890-1661	135	891-8982/106-402	47
890-752/060-000	115	890-834	77	890-1662	135	891-8982/106-501	47
890-753	129	890-834/011-000	78	890-1663	135	891-8982/106-502	47
890-753/060-000	129	890-835	95	890-1665	39	891-8982/106-601	47
890-753/062-000	129	890-835/011-000	96	890-1672	40	891-8982/106-602	47
890-754	143	890-842	117	890-1681	150	891-8982/106-701	47
890-754/060-000	143	890-842/011-000	118	890-1682	150	891-8982/106-702	47
890-754/062-000	143	890-843	131	890-1683	150	891-8982/106-801	47
890-754/064-000	143	890-843/011-000	132	890-1684	40	891-8982/106-802	47
890-755	159	890-844	145	890-1686	40	891-8982/116-101	48
890-755/060-000	159	890-844/011-000	146	890-1701	121	891-8982/116-102	48
890-755/062-000	159	890-845	161	890-1702	121	891-8982/116-201	48
890-762	115	890-845/011-000	162	890-1703	121	891-8982/116-202	48
890-763	129	890-852	117	890-1731	149	891-8982/116-301	48
890-763/071-000	129	890-852/011-000	118	890-1732	149	891-8982/116-302	48
890-763/073-000	129	890-853	131	890-1733	149	891-8982/116-401	48
890-764	143	890-853/011-000	132	890-1734	151	891-8982/116-402	48
890-764/071-000	143	890-854	145	890-1735	151	891-8982/116-501	48
890-764/072-000	143	890-854/011-000	146	890-1736	151	891-8982/116-502	48
890-764/073-000	143	890-855	161	890-1761	135	891-8982/116-601	48
890-765	159	890-855/011-000	162	890-1762	135	891-8982/116-602	48
890-765/073-000	159	890-862	117	890-1763	135	891-8982/116-701	48
890-772	115	890-862/011-000	118	890-1781	150	891-8982/116-702	48
890-773	129	890-863	131	890-1782	150	891-8982/116-801	48
890-773/071-000	129	890-863/011-000	132	890-1783	150	891-8982/116-802	48
890-773/073-000	129	890-864	145	890-1904	41	891-8982/206-101	47
890-774	143	890-864/011-000	146	890-1907	41	891-8982/206-102	47
890-774/071-000	143	890-865	161	890-2102	33	891-8982/206-201	47
890-774/072-000	143	890-865/011-000	162	890-2105	93	891-8982/206-202	47
890-774/073-000	143	890-872	117	890-2105/006-000	93	891-8982/206-301	47
890-775	159	890-872/011-000	118	890-2112	33	891-8982/206-302	47
890-775/073-000	159	890-873	131	890-2115	93	891-8982/206-401	47
890-782	115	890-873/011-000	132	890-3102	35	891-8982/206-402	47
890-782/080-000	115	890-874	145	890-3102/011-000	36	891-8982/206-501	47
890-782/082-000	115	890-874/011-000	146	890-3105	95	891-8982/206-502	47
890-783	129	890-875	161	890-3105/011-000	96	891-8982/206-601	47
890-783/081-000	129	890-875/011-000	162	890-3112	35	891-8982/206-602	47
890-783/082-000	129	890-882	117	890-3112/011-000	36	891-8982/206-701	47
890-784	143	890-882/011-000	118	890-3115	95	891-8982/206-702	47
890-784/081-000	143	890-883	131	890-3115/011-000	96	891-8982/206-801	47
890-785	159	890-883/011-000	132	Serie 891		891-8982/206-802	47
890-785/080-000	159	890-884	145	891-8982/006-101	47	891-8982/216-101	48
890-785/082-000	159	890-884/011-000	146	891-8982/006-102	47	891-8982/216-102	48
890-792	115	890-885	161	891-8982/006-201	47	891-8982/216-201	48
890-792/080-000	115	890-885/011-000	162	891-8982/006-202	47	891-8982/216-202	48
890-792/082-000	115	890-892	117	891-8982/006-301	47	891-8982/216-301	48
890-793	129	890-892/011-000	118	891-8982/006-302	47	891-8982/216-302	48
890-793/081-000	129	890-893	131	891-8982/006-401	47	891-8982/216-401	48
890-793/082-000	129	890-893/011-000	132	891-8982/006-402	47	891-8982/216-402	48
890-794	143	890-894	145	891-8982/006-501	47	891-8982/216-501	48
890-794/081-000	143	890-894/011-000	146	891-8982/006-502	47	891-8982/216-502	48
890-795	159	890-895	161	891-8982/006-601	47	891-8982/216-601	48
890-795/080-000	159	890-895/011-000	162	891-8982/006-602	47	891-8982/216-602	48
890-795/082-000	159	890-929	100	891-8982/006-701	47	891-8982/216-701	48
890-802	35	890-930	101	891-8982/006-702	47	891-8982/216-702	48
890-802/011-000	36	890-944	82	891-8982/006-801	47	891-8982/216-801	48
890-803	57	890-945	83			891-8982/216-802	48

Item No.	Page	Item No.	Page	Item No.	Page	Item No.	Page
Serie 891		Serie 891		Serie 891		Serie 891	
891-8985/006-101	105	891-8985/216-102	106	891-8992/006-602	45	891-8992/105-801	43
891-8985/006-102	105	891-8985/216-201	106	891-8992/006-603	124	891-8992/105-802	43
891-8985/006-201	105	891-8985/216-202	106	891-8992/006-605	124	891-8992/105-803	123
891-8985/006-202	105	891-8985/216-301	106	891-8992/006-607	124	891-8992/105-805	123
891-8985/006-301	105	891-8985/216-302	106	891-8992/006-701	45	891-8992/105-807	123
891-8985/006-302	105	891-8985/216-401	106	891-8992/006-702	45	891-8992/106-101	45
891-8985/006-401	105	891-8985/216-402	106	891-8992/006-703	124	891-8992/106-102	45
891-8985/006-402	105	891-8985/216-501	106	891-8992/006-705	124	891-8992/106-103	124
891-8985/006-501	105	891-8985/216-502	106	891-8992/006-707	124	891-8992/106-105	124
891-8985/006-502	105	891-8985/216-601	106	891-8992/006-801	45	891-8992/106-107	124
891-8985/006-601	105	891-8985/216-602	106	891-8992/006-802	45	891-8992/106-201	45
891-8985/006-602	105	891-8985/216-701	106	891-8992/006-803	124	891-8992/106-202	45
891-8985/006-701	105	891-8985/216-702	106	891-8992/006-805	124	891-8992/106-203	124
891-8985/006-702	105	891-8985/216-801	106	891-8992/006-807	124	891-8992/106-205	124
891-8985/006-801	105	891-8985/216-802	106	891-8992/015-101	44	891-8992/106-207	124
891-8985/006-802	105	891-8992/005-101	43	891-8992/015-102	44	891-8992/106-301	45
891-8985/016-101	106	891-8992/005-102	43	891-8992/015-201	44	891-8992/106-302	45
891-8985/016-102	106	891-8992/005-103	123	891-8992/015-202	44	891-8992/106-303	124
891-8985/016-201	106	891-8992/005-105	123	891-8992/015-301	44	891-8992/106-305	124
891-8985/016-202	106	891-8992/005-107	123	891-8992/015-302	44	891-8992/106-307	124
891-8985/016-301	106	891-8992/005-201	43	891-8992/015-401	44	891-8992/106-401	45
891-8985/016-302	106	891-8992/005-202	43	891-8992/015-402	44	891-8992/106-402	45
891-8985/016-401	106	891-8992/005-203	123	891-8992/015-501	44	891-8992/106-403	124
891-8985/016-402	106	891-8992/005-205	123	891-8992/015-502	44	891-8992/106-405	124
891-8985/016-501	106	891-8992/005-207	123	891-8992/015-601	44	891-8992/106-407	124
891-8985/016-502	106	891-8992/005-301	43	891-8992/015-602	44	891-8992/106-501	45
891-8985/016-601	106	891-8992/005-302	43	891-8992/015-701	44	891-8992/106-502	45
891-8985/016-602	106	891-8992/005-303	123	891-8992/015-702	44	891-8992/106-503	124
891-8985/016-701	106	891-8992/005-305	123	891-8992/015-801	44	891-8992/106-505	124
891-8985/016-702	106	891-8992/005-307	123	891-8992/015-802	44	891-8992/106-507	124
891-8985/016-801	106	891-8992/005-401	43	891-8992/016-101	46	891-8992/106-601	45
891-8985/016-802	106	891-8992/005-402	43	891-8992/016-102	46	891-8992/106-602	45
891-8985/106-101	105	891-8992/005-403	123	891-8992/016-201	46	891-8992/106-603	124
891-8985/106-102	105	891-8992/005-405	123	891-8992/016-202	46	891-8992/106-605	124
891-8985/106-201	105	891-8992/005-407	123	891-8992/016-301	46	891-8992/106-607	124
891-8985/106-202	105	891-8992/005-501	43	891-8992/016-302	46	891-8992/106-701	45
891-8985/106-301	105	891-8992/005-502	43	891-8992/016-401	46	891-8992/106-702	45
891-8985/106-302	105	891-8992/005-503	123	891-8992/016-402	46	891-8992/106-703	124
891-8985/106-401	105	891-8992/005-505	123	891-8992/016-501	46	891-8992/106-705	124
891-8985/106-402	105	891-8992/005-507	123	891-8992/016-502	46	891-8992/106-707	124
891-8985/106-501	105	891-8992/005-601	43	891-8992/016-601	46	891-8992/106-801	45
891-8985/106-502	105	891-8992/005-602	43	891-8992/016-602	46	891-8992/106-802	45
891-8985/106-601	105	891-8992/005-603	123	891-8992/016-701	46	891-8992/106-803	124
891-8985/106-602	105	891-8992/005-605	123	891-8992/016-702	46	891-8992/106-805	124
891-8985/106-701	105	891-8992/005-607	123	891-8992/016-801	46	891-8992/106-807	124
891-8985/106-702	105	891-8992/005-701	43	891-8992/016-802	46	891-8992/115-101	44
891-8985/106-801	105	891-8992/005-702	43	891-8992/105-101	43	891-8992/115-102	44
891-8985/106-802	105	891-8992/005-703	123	891-8992/105-102	43	891-8992/115-201	44
891-8985/116-101	106	891-8992/005-705	123	891-8992/105-103	123	891-8992/115-202	44
891-8985/116-102	106	891-8992/005-707	123	891-8992/105-105	123	891-8992/115-301	44
891-8985/116-201	106	891-8992/005-801	43	891-8992/105-107	123	891-8992/115-302	44
891-8985/116-202	106	891-8992/005-802	43	891-8992/105-201	43	891-8992/115-401	44
891-8985/116-301	106	891-8992/005-803	123	891-8992/105-202	43	891-8992/115-402	44
891-8985/116-302	106	891-8992/005-805	123	891-8992/105-203	123	891-8992/115-501	44
891-8985/116-401	106	891-8992/005-807	123	891-8992/105-205	123	891-8992/115-502	44
891-8985/116-402	106	891-8992/006-101	45	891-8992/105-207	123	891-8992/115-601	44
891-8985/116-501	106	891-8992/006-102	45	891-8992/105-301	43	891-8992/115-602	44
891-8985/116-502	106	891-8992/006-103	124	891-8992/105-302	43	891-8992/115-701	44
891-8985/116-601	106	891-8992/006-105	124	891-8992/105-303	123	891-8992/115-702	44
891-8985/116-602	106	891-8992/006-107	124	891-8992/105-305	123	891-8992/115-801	44
891-8985/116-701	106	891-8992/006-201	45	891-8992/105-307	123	891-8992/115-802	44
891-8985/116-702	106	891-8992/006-202	45	891-8992/105-401	43	891-8992/116-101	46
891-8985/116-801	106	891-8992/006-203	124	891-8992/105-402	43	891-8992/116-102	46
891-8985/116-802	106	891-8992/006-205	124	891-8992/105-403	123	891-8992/116-201	46
891-8985/206-101	105	891-8992/006-207	124	891-8992/105-405	123	891-8992/116-202	46
891-8985/206-102	105	891-8992/006-301	45	891-8992/105-407	123	891-8992/116-301	46
891-8985/206-201	105	891-8992/006-302	45	891-8992/105-501	43	891-8992/116-302	46
891-8985/206-202	105	891-8992/006-303	124	891-8992/105-502	43	891-8992/116-401	46
891-8985/206-301	105	891-8992/006-305	124	891-8992/105-503	123	891-8992/116-402	46
891-8985/206-302	105	891-8992/006-307	124	891-8992/105-505	123	891-8992/116-501	46
891-8985/206-401	105	891-8992/006-401	45	891-8992/105-507	123	891-8992/116-502	46
891-8985/206-402	105	891-8992/006-402	45	891-8992/105-601	43	891-8992/116-601	46
891-8985/206-501	105	891-8992/006-403	124	891-8992/105-602	43	891-8992/116-602	46
891-8985/206-502	105	891-8992/006-405	124	891-8992/105-603	123	891-8992/116-701	46
891-8985/206-601	105	891-8992/006-407	124	891-8992/105-605	123	891-8992/116-702	46
891-8985/206-602	105	891-8992/006-501	45	891-8992/105-607	123	891-8992/116-801	46
891-8985/206-701	105	891-8992/006-502	45	891-8992/105-701	43	891-8992/116-802	46
891-8985/206-702	105	891-8992/006-503	124	891-8992/105-702	43	891-8992/205-101	43
891-8985/206-801	105	891-8992/006-505	124	891-8992/105-703	123	891-8992/205-102	43
891-8985/206-802	105	891-8992/006-507	124	891-8992/105-705	123	891-8992/205-103	123
891-8985/216-101	106	891-8992/006-601	45	891-8992/105-707	123	891-8992/205-105	123

Item Number Index

Item No.	Page	Item No.	Page	Item No.	Page	Item No.	Page
Serie 891		Serie 891		Serie 891		Serie 891	
891-8992/205-107	123	891-8992/215-302	44	891-8993/006-307	138	891-8993/105-505	137
891-8992/205-201	43	891-8992/215-401	44	891-8993/006-401	67	891-8993/105-507	137
891-8992/205-202	43	891-8992/215-402	44	891-8993/006-402	67	891-8993/105-601	65
891-8992/205-203	123	891-8992/215-501	44	891-8993/006-403	138	891-8993/105-602	65
891-8992/205-205	123	891-8992/215-502	44	891-8993/006-405	138	891-8993/105-603	137
891-8992/205-207	123	891-8992/215-601	44	891-8993/006-407	138	891-8993/105-605	137
891-8992/205-301	43	891-8992/215-602	44	891-8993/006-501	67	891-8993/105-607	137
891-8992/205-302	43	891-8992/215-701	44	891-8993/006-502	67	891-8993/105-701	65
891-8992/205-303	123	891-8992/215-702	44	891-8993/006-503	138	891-8993/105-702	65
891-8992/205-305	123	891-8992/215-801	44	891-8993/006-505	138	891-8993/105-703	137
891-8992/205-307	123	891-8992/215-802	44	891-8993/006-507	138	891-8993/105-705	137
891-8992/205-401	43	891-8992/216-101	46	891-8993/006-601	67	891-8993/105-707	137
891-8992/205-402	43	891-8992/216-102	46	891-8993/006-602	67	891-8993/105-801	65
891-8992/205-403	123	891-8992/216-201	46	891-8993/006-603	138	891-8993/105-802	65
891-8992/205-405	123	891-8992/216-202	46	891-8993/006-605	138	891-8993/105-803	137
891-8992/205-407	123	891-8992/216-301	46	891-8993/006-607	138	891-8993/105-805	137
891-8992/205-501	43	891-8992/216-302	46	891-8993/006-701	67	891-8993/105-807	137
891-8992/205-502	43	891-8992/216-401	46	891-8993/006-702	67	891-8993/106-101	67
891-8992/205-503	123	891-8992/216-402	46	891-8993/006-703	138	891-8993/106-102	67
891-8992/205-505	123	891-8992/216-501	46	891-8993/006-705	138	891-8993/106-103	138
891-8992/205-507	123	891-8992/216-502	46	891-8993/006-707	138	891-8993/106-105	138
891-8992/205-601	43	891-8992/216-601	46	891-8993/006-801	67	891-8993/106-107	138
891-8992/205-602	43	891-8992/216-602	46	891-8993/006-802	67	891-8993/106-201	67
891-8992/205-603	123	891-8992/216-701	46	891-8993/006-803	138	891-8993/106-202	67
891-8992/205-605	123	891-8992/216-702	46	891-8993/006-805	138	891-8993/106-203	138
891-8992/205-607	123	891-8992/216-801	46	891-8993/006-807	138	891-8993/106-205	138
891-8992/205-701	43	891-8992/216-802	46	891-8993/015-101	66	891-8993/106-207	138
891-8992/205-702	43	891-8993/005-101	65	891-8993/015-102	66	891-8993/106-301	67
891-8992/205-703	123	891-8993/005-102	65	891-8993/015-201	66	891-8993/106-302	67
891-8992/205-705	123	891-8993/005-103	137	891-8993/015-202	66	891-8993/106-303	138
891-8992/205-707	123	891-8993/005-105	137	891-8993/015-301	66	891-8993/106-305	138
891-8992/205-801	43	891-8993/005-107	137	891-8993/015-302	66	891-8993/106-307	138
891-8992/205-802	43	891-8993/005-201	65	891-8993/015-401	66	891-8993/106-401	67
891-8992/205-803	123	891-8993/005-202	65	891-8993/015-402	66	891-8993/106-402	67
891-8992/205-805	123	891-8993/005-203	137	891-8993/015-501	66	891-8993/106-403	138
891-8992/205-807	123	891-8993/005-205	137	891-8993/015-502	66	891-8993/106-405	138
891-8992/206-101	45	891-8993/005-207	137	891-8993/015-601	66	891-8993/106-407	138
891-8992/206-102	45	891-8993/005-301	65	891-8993/015-602	66	891-8993/106-501	67
891-8992/206-103	124	891-8993/005-302	65	891-8993/015-701	66	891-8993/106-502	67
891-8992/206-105	124	891-8993/005-303	137	891-8993/015-702	66	891-8993/106-503	138
891-8992/206-107	124	891-8993/005-305	137	891-8993/015-801	66	891-8993/106-505	138
891-8992/206-201	45	891-8993/005-307	137	891-8993/015-802	66	891-8993/106-507	138
891-8992/206-202	45	891-8993/005-401	65	891-8993/016-101	68	891-8993/106-601	67
891-8992/206-203	124	891-8993/005-402	65	891-8993/016-102	68	891-8993/106-602	67
891-8992/206-205	124	891-8993/005-403	137	891-8993/016-201	68	891-8993/106-603	138
891-8992/206-207	124	891-8993/005-405	137	891-8993/016-202	68	891-8993/106-605	138
891-8992/206-301	45	891-8993/005-407	137	891-8993/016-301	68	891-8993/106-607	138
891-8992/206-302	45	891-8993/005-501	65	891-8993/016-302	68	891-8993/106-701	67
891-8992/206-303	124	891-8993/005-502	65	891-8993/016-401	68	891-8993/106-702	67
891-8992/206-305	124	891-8993/005-503	137	891-8993/016-402	68	891-8993/106-703	138
891-8992/206-307	124	891-8993/005-505	137	891-8993/016-501	68	891-8993/106-705	138
891-8992/206-401	45	891-8993/005-507	137	891-8993/016-502	68	891-8993/106-707	138
891-8992/206-402	45	891-8993/005-601	65	891-8993/016-601	68	891-8993/106-801	67
891-8992/206-403	124	891-8993/005-602	65	891-8993/016-602	68	891-8993/106-802	67
891-8992/206-405	124	891-8993/005-603	137	891-8993/016-701	68	891-8993/106-803	138
891-8992/206-407	124	891-8993/005-605	137	891-8993/016-702	68	891-8993/106-805	138
891-8992/206-501	45	891-8993/005-607	137	891-8993/016-801	68	891-8993/106-807	138
891-8992/206-502	45	891-8993/005-701	65	891-8993/016-802	68	891-8993/115-101	66
891-8992/206-503	124	891-8993/005-702	65	891-8993/105-101	65	891-8993/115-102	66
891-8992/206-505	124	891-8993/005-703	137	891-8993/105-102	65	891-8993/115-201	66
891-8992/206-507	124	891-8993/005-705	137	891-8993/105-103	137	891-8993/115-202	66
891-8992/206-601	45	891-8993/005-707	137	891-8993/105-105	137	891-8993/115-301	66
891-8992/206-602	45	891-8993/005-801	65	891-8993/105-107	137	891-8993/115-302	66
891-8992/206-603	124	891-8993/005-802	65	891-8993/105-201	65	891-8993/115-401	66
891-8992/206-605	124	891-8993/005-803	137	891-8993/105-202	65	891-8993/115-402	66
891-8992/206-607	124	891-8993/005-805	137	891-8993/105-203	137	891-8993/115-501	66
891-8992/206-701	45	891-8993/005-807	137	891-8993/105-205	137	891-8993/115-502	66
891-8992/206-702	45	891-8993/006-101	67	891-8993/105-207	137	891-8993/115-601	66
891-8992/206-703	124	891-8993/006-102	67	891-8993/105-301	65	891-8993/115-602	66
891-8992/206-705	124	891-8993/006-103	138	891-8993/105-302	65	891-8993/115-701	66
891-8992/206-707	124	891-8993/006-105	138	891-8993/105-303	137	891-8993/115-702	66
891-8992/206-801	45	891-8993/006-107	138	891-8993/105-305	137	891-8993/115-801	66
891-8992/206-802	45	891-8993/006-201	67	891-8993/105-307	137	891-8993/115-802	66
891-8992/206-803	124	891-8993/006-202	67	891-8993/105-401	65	891-8993/116-101	68
891-8992/206-805	124	891-8993/006-203	138	891-8993/105-402	65	891-8993/116-102	68
891-8992/206-807	124	891-8993/006-205	138	891-8993/105-403	137	891-8993/116-201	68
891-8992/215-101	44	891-8993/006-207	138	891-8993/105-405	137	891-8993/116-202	68
891-8992/215-102	44	891-8993/006-301	67	891-8993/105-407	137	891-8993/116-301	68
891-8992/215-201	44	891-8993/006-302	67	891-8993/105-501	65	891-8993/116-302	68
891-8992/215-202	44	891-8993/006-303	138	891-8993/105-502	65	891-8993/116-401	68
891-8992/215-301	44	891-8993/006-305	138	891-8993/105-503	137	891-8993/116-402	68

Item No.	Page	Item No.	Page	Item No.	Page	Item No.	Page
Serie 891		Serie 891		Serie 891		Serie 891	
891-8993/116-501	68	891-8993/206-705	138	891-8994/006-405	154	891-8994/106-407	154
891-8993/116-502	68	891-8993/206-707	138	891-8994/006-407	154	891-8994/106-501	85
891-8993/116-601	68	891-8993/206-801	67	891-8994/006-501	85	891-8994/106-502	85
891-8993/116-602	68	891-8993/206-802	67	891-8994/006-502	85	891-8994/106-503	154
891-8993/116-701	68	891-8993/206-803	138	891-8994/006-503	154	891-8994/106-505	154
891-8993/116-702	68	891-8993/206-805	138	891-8994/006-505	154	891-8994/106-507	154
891-8993/116-801	68	891-8993/206-807	138	891-8994/006-507	154	891-8994/106-601	85
891-8993/116-802	68	891-8993/215-101	66	891-8994/006-601	85	891-8994/106-602	85
891-8993/205-101	65	891-8993/215-102	66	891-8994/006-602	85	891-8994/106-603	154
891-8993/205-102	65	891-8993/215-201	66	891-8994/006-603	154	891-8994/106-605	154
891-8993/205-103	137	891-8993/215-202	66	891-8994/006-605	154	891-8994/106-607	154
891-8993/205-105	137	891-8993/215-301	66	891-8994/006-607	154	891-8994/106-701	85
891-8993/205-107	137	891-8993/215-302	66	891-8994/006-701	85	891-8994/106-702	85
891-8993/205-201	65	891-8993/215-401	66	891-8994/006-702	85	891-8994/106-703	154
891-8993/205-202	65	891-8993/215-402	66	891-8994/006-703	154	891-8994/106-705	154
891-8993/205-203	137	891-8993/215-501	66	891-8994/006-705	154	891-8994/106-707	154
891-8993/205-205	137	891-8993/215-502	66	891-8994/006-707	154	891-8994/106-801	85
891-8993/205-207	137	891-8993/215-601	66	891-8994/006-801	85	891-8994/106-802	85
891-8993/205-301	65	891-8993/215-602	66	891-8994/006-802	85	891-8994/106-803	154
891-8993/205-302	65	891-8993/215-701	66	891-8994/006-803	154	891-8994/106-805	154
891-8993/205-303	137	891-8993/215-702	66	891-8994/006-805	154	891-8994/106-807	154
891-8993/205-305	137	891-8993/215-801	66	891-8994/006-807	154	891-8994/116-101	86
891-8993/205-307	137	891-8993/215-802	66	891-8994/016-101	86	891-8994/116-102	86
891-8993/205-401	65	891-8993/216-101	68	891-8994/016-102	86	891-8994/116-201	86
891-8993/205-402	65	891-8993/216-102	68	891-8994/016-201	86	891-8994/116-202	86
891-8993/205-403	137	891-8993/216-201	68	891-8994/016-202	86	891-8994/116-301	86
891-8993/205-405	137	891-8993/216-202	68	891-8994/016-301	86	891-8994/116-302	86
891-8993/205-407	137	891-8993/216-301	68	891-8994/016-302	86	891-8994/116-401	86
891-8993/205-501	65	891-8993/216-302	68	891-8994/016-401	86	891-8994/116-402	86
891-8993/205-502	65	891-8993/216-401	68	891-8994/016-402	86	891-8994/116-501	86
891-8993/205-503	137	891-8993/216-402	68	891-8994/016-501	86	891-8994/116-502	86
891-8993/205-505	137	891-8993/216-501	68	891-8994/016-502	86	891-8994/116-601	86
891-8993/205-507	137	891-8993/216-502	68	891-8994/016-601	86	891-8994/116-602	86
891-8993/205-601	65	891-8993/216-601	68	891-8994/016-602	86	891-8994/116-701	86
891-8993/205-602	65	891-8993/216-602	68	891-8994/016-701	86	891-8994/116-702	86
891-8993/205-603	137	891-8993/216-701	68	891-8994/016-702	86	891-8994/116-801	86
891-8993/205-605	137	891-8993/216-702	68	891-8994/016-801	86	891-8994/116-802	86
891-8993/205-607	137	891-8993/216-801	68	891-8994/016-802	86	891-8994/205-103	153
891-8993/205-701	65	891-8993/216-802	68	891-8994/105-103	153	891-8994/205-105	153
891-8993/205-702	65	891-8994/005-103	153	891-8994/105-105	153	891-8994/205-107	153
891-8993/205-703	137	891-8994/005-105	153	891-8994/105-107	153	891-8994/205-203	153
891-8993/205-705	137	891-8994/005-107	153	891-8994/105-203	153	891-8994/205-205	153
891-8993/205-707	137	891-8994/005-203	153	891-8994/105-205	153	891-8994/205-207	153
891-8993/205-801	65	891-8994/005-205	153	891-8994/105-207	153	891-8994/205-303	153
891-8993/205-802	65	891-8994/005-207	153	891-8994/105-303	153	891-8994/205-305	153
891-8993/205-803	137	891-8994/005-303	153	891-8994/105-305	153	891-8994/205-307	153
891-8993/205-805	137	891-8994/005-305	153	891-8994/105-307	153	891-8994/205-403	153
891-8993/205-807	137	891-8994/005-307	153	891-8994/105-403	153	891-8994/205-405	153
891-8993/206-101	67	891-8994/005-403	153	891-8994/105-405	153	891-8994/205-407	153
891-8993/206-102	67	891-8994/005-405	153	891-8994/105-407	153	891-8994/205-503	153
891-8993/206-103	138	891-8994/005-407	153	891-8994/105-503	153	891-8994/205-505	153
891-8993/206-105	138	891-8994/005-503	153	891-8994/105-505	153	891-8994/205-507	153
891-8993/206-107	138	891-8994/005-505	153	891-8994/105-507	153	891-8994/205-603	153
891-8993/206-201	67	891-8994/005-507	153	891-8994/105-603	153	891-8994/205-605	153
891-8993/206-202	67	891-8994/005-603	153	891-8994/105-605	153	891-8994/205-607	153
891-8993/206-203	138	891-8994/005-605	153	891-8994/105-607	153	891-8994/205-703	153
891-8993/206-205	138	891-8994/005-607	153	891-8994/105-703	153	891-8994/205-705	153
891-8993/206-207	138	891-8994/005-703	153	891-8994/105-705	153	891-8994/205-707	153
891-8993/206-301	67	891-8994/005-705	153	891-8994/105-707	153	891-8994/205-803	153
891-8993/206-302	67	891-8994/005-707	153	891-8994/105-803	153	891-8994/205-805	153
891-8993/206-303	138	891-8994/005-803	153	891-8994/105-805	153	891-8994/205-807	153
891-8993/206-305	138	891-8994/005-805	153	891-8994/105-807	153	891-8994/206-101	85
891-8993/206-307	138	891-8994/005-807	153	891-8994/106-101	85	891-8994/206-102	85
891-8993/206-401	67	891-8994/006-101	85	891-8994/106-102	85	891-8994/206-103	154
891-8993/206-402	67	891-8994/006-102	85	891-8994/106-103	154	891-8994/206-105	154
891-8993/206-403	138	891-8994/006-103	154	891-8994/106-105	154	891-8994/206-107	154
891-8993/206-405	138	891-8994/006-105	154	891-8994/106-107	154	891-8994/206-201	85
891-8993/206-407	138	891-8994/006-107	154	891-8994/106-201	85	891-8994/206-202	85
891-8993/206-501	67	891-8994/006-201	85	891-8994/106-202	85	891-8994/206-203	154
891-8993/206-502	67	891-8994/006-202	85	891-8994/106-203	154	891-8994/206-205	154
891-8993/206-503	138	891-8994/006-203	154	891-8994/106-205	154	891-8994/206-207	154
891-8993/206-505	138	891-8994/006-205	154	891-8994/106-207	154	891-8994/206-301	85
891-8993/206-507	138	891-8994/006-207	154	891-8994/106-301	85	891-8994/206-302	85
891-8993/206-601	67	891-8994/006-301	85	891-8994/106-302	85	891-8994/206-303	154
891-8993/206-602	67	891-8994/006-302	85	891-8994/106-303	154	891-8994/206-305	154
891-8993/206-603	138	891-8994/006-303	154	891-8994/106-305	154	891-8994/206-307	154
891-8993/206-605	138	891-8994/006-305	154	891-8994/106-307	154	891-8994/206-401	85
891-8993/206-607	138	891-8994/006-307	154	891-8994/106-401	85	891-8994/206-402	85
891-8993/206-701	67	891-8994/006-401	85	891-8994/106-402	85	891-8994/206-403	154
891-8993/206-702	67	891-8994/006-402	85	891-8994/106-403	154	891-8994/206-405	154
891-8993/206-703	138	891-8994/006-403	154	891-8994/106-405	154	891-8994/206-407	154

Item Number Index

Item No.	Page	Item No.	Page	Item No.	Page	Item No.	Page
Serie 891		Serie 891		Serie 891		Serie 891	
891-8994/206-501	85	891-8995/006-502	103	891-8995/106-503	166	891-8995/206-505	166
891-8994/206-502	85	891-8995/006-503	166	891-8995/106-505	166	891-8995/206-507	166
891-8994/206-503	154	891-8995/006-505	166	891-8995/106-507	166	891-8995/206-601	103
891-8994/206-505	154	891-8995/006-507	166	891-8995/106-601	103	891-8995/206-602	103
891-8994/206-507	154	891-8995/006-601	103	891-8995/106-602	103	891-8995/206-603	166
891-8994/206-601	85	891-8995/006-602	103	891-8995/106-603	166	891-8995/206-605	166
891-8994/206-602	85	891-8995/006-603	166	891-8995/106-605	166	891-8995/206-607	166
891-8994/206-603	154	891-8995/006-605	166	891-8995/106-607	166	891-8995/206-701	103
891-8994/206-605	154	891-8995/006-607	166	891-8995/106-701	103	891-8995/206-702	103
891-8994/206-607	154	891-8995/006-701	103	891-8995/106-702	103	891-8995/206-703	166
891-8994/206-701	85	891-8995/006-702	103	891-8995/106-703	166	891-8995/206-705	166
891-8994/206-702	85	891-8995/006-703	166	891-8995/106-705	166	891-8995/206-707	166
891-8994/206-703	154	891-8995/006-705	166	891-8995/106-707	166	891-8995/206-801	103
891-8994/206-705	154	891-8995/006-707	166	891-8995/106-801	103	891-8995/206-802	103
891-8994/206-707	154	891-8995/006-801	103	891-8995/106-802	103	891-8995/206-803	166
891-8994/206-801	85	891-8995/006-802	103	891-8995/106-803	166	891-8995/206-805	166
891-8994/206-802	85	891-8995/006-803	166	891-8995/106-805	166	891-8995/206-807	166
891-8994/206-803	154	891-8995/006-805	166	891-8995/106-807	166	891-8995/216-101	104
891-8994/206-805	154	891-8995/006-807	166	891-8995/116-101	104	891-8995/216-102	104
891-8994/206-807	154	891-8995/016-101	104	891-8995/116-102	104	891-8995/216-201	104
891-8994/216-101	86	891-8995/016-102	104	891-8995/116-201	104	891-8995/216-202	104
891-8994/216-102	86	891-8995/016-201	104	891-8995/116-202	104	891-8995/216-301	104
891-8994/216-201	86	891-8995/016-202	104	891-8995/116-301	104	891-8995/216-302	104
891-8994/216-202	86	891-8995/016-301	104	891-8995/116-302	104	891-8995/216-401	104
891-8994/216-301	86	891-8995/016-302	104	891-8995/116-401	104	891-8995/216-402	104
891-8994/216-302	86	891-8995/016-401	104	891-8995/116-402	104	891-8995/216-501	104
891-8994/216-401	86	891-8995/016-402	104	891-8995/116-501	104	891-8995/216-502	104
891-8994/216-402	86	891-8995/016-501	104	891-8995/116-502	104	891-8995/216-601	104
891-8994/216-501	86	891-8995/016-502	104	891-8995/116-601	104	891-8995/216-602	104
891-8994/216-502	86	891-8995/016-601	104	891-8995/116-602	104	891-8995/216-701	104
891-8994/216-601	86	891-8995/016-602	104	891-8995/116-701	104	891-8995/216-702	104
891-8994/216-602	86	891-8995/016-701	104	891-8995/116-702	104	891-8995/216-801	104
891-8994/216-701	86	891-8995/016-702	104	891-8995/116-801	104	891-8995/216-802	104
891-8994/216-702	86	891-8995/016-801	104	891-8995/116-802	104		
891-8994/216-801	86	891-8995/016-802	104	891-8995/205-103	165	Serie 893	
891-8994/216-802	86	891-8995/105-103	165	891-8995/205-105	165	893-121	423
891-8995/005-103	165	891-8995/105-105	165	891-8995/205-107	165	893-122	424
891-8995/005-105	165	891-8995/105-107	165	891-8995/205-203	165	893-129	424
891-8995/005-107	165	891-8995/105-203	165	891-8995/205-205	165	893-261	419
891-8995/005-203	165	891-8995/105-205	165	891-8995/205-207	165	893-262	420
891-8995/005-205	165	891-8995/105-207	165	891-8995/205-303	165	893-269	420
891-8995/005-207	165	891-8995/105-303	165	891-8995/205-305	165	893-1002	391
891-8995/005-303	165	891-8995/105-305	165	891-8995/205-307	165	893-1012	391
891-8995/005-305	165	891-8995/105-307	165	891-8995/205-403	165	893-1022	401
891-8995/005-307	165	891-8995/105-403	165	891-8995/205-405	165	893-1032	401
891-8995/005-403	165	891-8995/105-405	165	891-8995/205-407	165	893-1606	405
891-8995/005-405	165	891-8995/105-407	165	891-8995/205-503	165	893-1656	405
891-8995/005-407	165	891-8995/105-503	165	891-8995/205-505	165	893-2002	403
891-8995/005-503	165	891-8995/105-505	165	891-8995/205-507	165	893-2012	403
891-8995/005-505	165	891-8995/105-507	165	891-8995/205-603	165	893-2022	403
891-8995/005-507	165	891-8995/105-603	165	891-8995/205-605	165	893-2032	403
891-8995/005-603	165	891-8995/105-605	165	891-8995/205-607	165		
891-8995/005-605	165	891-8995/105-607	165	891-8995/205-703	165	Serie 894	
891-8995/005-607	165	891-8995/105-703	165	891-8995/205-705	165	894-8392/073-106	408
891-8995/005-703	165	891-8995/105-705	165	891-8995/205-707	165	894-8392/073-306	408
891-8995/005-705	165	891-8995/105-707	165	891-8995/205-803	165	894-8392/073-506	408
891-8995/005-707	165	891-8995/105-803	165	891-8995/205-805	165	894-8392/173-106	408
891-8995/005-803	165	891-8995/105-805	165	891-8995/205-807	165	894-8392/173-306	408
891-8995/005-805	165	891-8995/105-807	165	891-8995/206-101	103	894-8392/173-506	408
891-8995/005-807	165	891-8995/106-101	103	891-8995/206-102	103	894-8392/273-106	408
891-8995/006-101	103	891-8995/106-102	103	891-8995/206-103	166	894-8392/273-306	408
891-8995/006-102	103	891-8995/106-103	166	891-8995/206-105	166	894-8392/273-506	408
891-8995/006-103	166	891-8995/106-105	166	891-8995/206-107	166	894-8992/023-107	409
891-8995/006-105	166	891-8995/106-107	166	891-8995/206-201	103	894-8992/023-307	409
891-8995/006-107	166	891-8995/106-201	103	891-8995/206-202	103	894-8992/023-507	409
891-8995/006-201	103	891-8995/106-202	103	891-8995/206-203	166	894-8992/033-106	407
891-8995/006-202	103	891-8995/106-203	166	891-8995/206-205	166	894-8992/033-306	407
891-8995/006-203	166	891-8995/106-205	166	891-8995/206-207	166	894-8992/033-506	407
891-8995/006-205	166	891-8995/106-207	166	891-8995/206-301	103	894-8992/123-107	409
891-8995/006-207	166	891-8995/106-301	103	891-8995/206-302	103	894-8992/123-307	409
891-8995/006-301	103	891-8995/106-302	103	891-8995/206-303	166	894-8992/123-507	409
891-8995/006-302	103	891-8995/106-303	166	891-8995/206-305	166	894-8992/133-106	407
891-8995/006-303	166	891-8995/106-305	166	891-8995/206-307	166	894-8992/133-306	407
891-8995/006-305	166	891-8995/106-307	166	891-8995/206-401	103	894-8992/133-506	407
891-8995/006-307	166	891-8995/106-401	103	891-8995/206-402	103	894-8992/223-107	409
891-8995/006-401	103	891-8995/106-402	103	891-8995/206-403	166	894-8992/223-307	409
891-8995/006-402	103	891-8995/106-403	166	891-8995/206-405	166	894-8992/223-507	409
891-8995/006-403	166	891-8995/106-405	166	891-8995/206-407	166	894-8992/233-106	407
891-8995/006-405	166	891-8995/106-407	166	891-8995/206-501	103	894-8992/233-306	407
891-8995/006-407	166	891-8995/106-501	103	891-8995/206-502	103	894-8992/233-506	407
891-8995/006-501	103	891-8995/106-502	103	891-8995/206-503	166		

Item No.	Page	Item No.	Page	Item No.	Page	Item No.	Page
Serie 895		Serie 899					
895-1051	431	899-631/341-000	446				
895-1052	432	899-631/346-000	448				
895-1601	488	899-631/349-000	450				
895-1602	488	899-631/350-000	451				
895-1603	488	899-631/354-000	456				
895-1604	488	899-631/363-000	459				
895-1605	488	899-631/374-000	462				
895-1651	435	899-631/386-000	459				
895-1652	436	899-631/395-000	443				
		899-631/405-000	456				
Serie 896		899-631/421-000	457				
896-231	427	899-631/442-000	460				
896-232	428	899-631/443-000	461				
896-233	429	899-631/444-000	459				
896-234	429	899-631/450-000	452				
		899-631/453-000	452				
Serie 897		899-631/454-000	453				
897-120	490	899-631/455-000	455				
897-121	492	899-631/476-000	442				
897-122	492	899-631/477-000	445				
897-230	490	899-631/478-000	458				
897-231	492	899-632	464				
897-232	492	899-632/101-000	462				
897-250	490	899-632/102-000	463				
897-251	491	899-632/103-000	463				
897-252	491	899-632/138-000	462				
897-260	490	899-681	464				
897-261	491	899-681/100-000	447				
897-262	491	899-681/104-000	441				
897-453	491	899-681/105-000	449				
897-839	489	899-681/123-000	451				
897-859	489	899-681/129-000	457				
897-878	489	899-681/142-000	450				
897-900	490	899-681/144-000	449				
897-901	490	899-681/145-000	454				
897-931	495	899-681/146-000	456				
897-951	495	899-681/147-000	454				
897-952	495	899-681/450-000	454				
897-960	495	899-682	464				
897-970	497						
897-971	495						
897-972	495						
897-1050	490						
897-1051	492						
897-1052	492						
897-1650	490						
897-1651	493						
897-1652	493						
Serie 899							
899-631	464						
899-631/100-000	446						
899-631/104-000	441						
899-631/105-000	448						
899-631/123-000	463						
899-631/130-000	464						
899-631/140-000	442						
899-631/149-000	450						
899-631/180-000	458						
899-631/181-000	453						
899-631/186-000	447						
899-631/187-000	446						
899-631/189-000	460						
899-631/302-000	449						
899-631/304-000	463						
899-631/305-000	461						
899-631/308-000	460						
899-631/309-000	457						
899-631/311-000	444						
899-631/312-000	446						
899-631/313-000	455						
899-631/315-000	461						
899-631/319-000	458						
899-631/327-000	445						
899-631/330-000	442						
899-631/331-000	443						
899-631/334-000	444						
899-631/338-000	450						
899-631/339-000	451						

WAGO Worldwide Companies and Representatives

Sold & Serviced By:



Toll Free Phone (877) SERV098
www.electromate.com
sales@electromate.com

Sold & Serviced By:



Toll Free Phone (877) SERV098
www.electromate.com
sales@electromate.com

Sold & Serviced By:



Toll Free Phone (877) SERV098

www.electromate.com

sales@electromate.com

WAGO is a registered trademark of WAGO Verwaltungsgesellschaft mbH.

"Copyright – WAGO Kontakttechnik GmbH & Co. KG – All rights reserved. The content and structure of the WAGO websites, catalogs, videos and other WAGO media are subject to copyright. Distribution or modification to the contents of these pages and videos is prohibited. Furthermore, the content may neither be copied nor made available to third parties for commercial purposes. Also subject to copyright are the images and videos that were made available to WAGO Kontakttechnik GmbH & Co. KG by third parties."