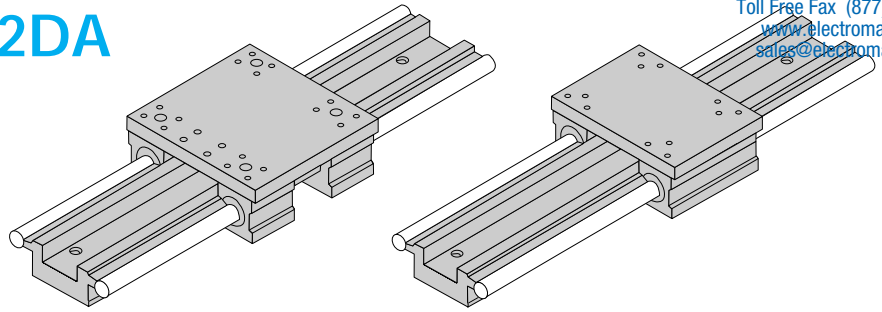


Dual Shaft Rail* 2DA

Linear Guide #12

with Modular Carriage
Unpack and Install



INCH

Linear Guide Cross Section

Dual Shaft Rail Linear Guide with Modular Full length Carriage

Load Rating and Limit by Direction

	Dynamic Load Rating	Load Limit
F_c	C	0.5C
F_t	C	0.5C
F_s	0.5C	0.5C

Dynamic Load Rating
Load value used in life calculation.
Load Limit
Maximum allowable load applied to bearing.

Dual Shaft Rail Linear Guide 2DA with Modular Full Length Carriage												(Dimensions in inches)	
Part Number	Nominal Diameter	L1	T1	H	H1	H2	H6	T	B	B1	R	B2	
2DA-08-JOB	.50	1.50	4.5	2.062	.875	1.94	.50	4.5	2.00	4.37	.500	3.0	
2DA-12-JOB	.75	1.88	6.0	2.562	1.125	2.44	.50	6.0	2.62	5.87	.688	4.0	
2DA-16-JOB	1.00	2.63	7.5	3.062	1.375	2.97	.50	7.5	3.25	7.37	.875	5.0	

Dual Shaft Rail Linear Guide 2DA with Modular Full Length Carriage													(Dimensions in inches)		
Part Number	C1	C	N	N1	M	M1	X	Y	Z	F	G		Max. Stroke Length	Carriage Part Number	Dual Shaft Rail Asmbly. Part No.
											Bolt	Hole			
2DA-08-JOB	1.25	1.07	4.0	.25	3.25	.63	4.0	2.0	.75	1/4-20	1/4	.28	L-(4.5)	DSRC-08-BB	DSRA-08
2DA-12-JOB	1.62	1.31	5.0	.50	4.50	.75	6.0	3.0	1.00	1/4-20	5/16	.34	L-(6.0)	DSRC-12-BB	DSRA-12
2DA-16-JOB	2.00	1.68	6.5	.50	5.50	1.00	6.0	3.0	1.25	1/4-20	3/8	.41	L-(7.5)	DSRC-16-BB	DSRA-16

Dual Shaft Rail Support Material: Black Anodized Aluminum Alloy
 Maximum continuous length of support rails is 72". If longer continuous shaft support rails are required, please contact the Thomson Linear Guides Application Engineering department.

Dual Shaft Rail* Linear Guide

2DA Benefits:

- Used in continuously supported applications when rigidity is required.
- Adaptable to any drive system.
- Pre-aligned and preassembled for immediate installation and use.
- Designed for medium to heavy loads.

Dual Shaft Rail Linear Guide

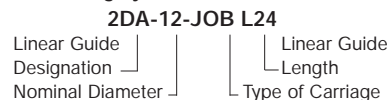
2DA Components: †

- 1 Dual LinearRace* shaft rail assembly.
- 1 modular carriage with 4 open type Super Smart Ball Bushing* pillow blocks.

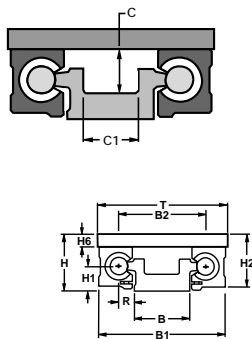
Specifying this Thomson Linear Guide:

1. Determine the proper Linear Guide for your load and life requirements.
2. Select the part number.
3. Add the letter "L" followed by the overall length in inches, as a suffix to the part number.

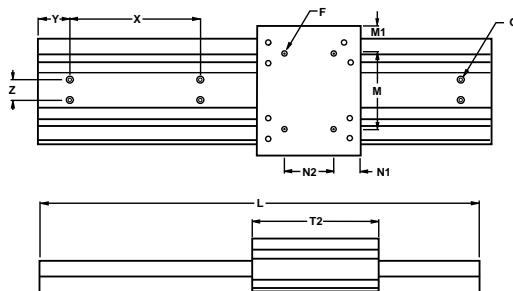
Part Numbering System



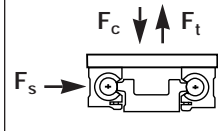
Linear Guide Cross Section



Dual Shaft Rail Linear Guide with Modular Short length Carriage



Load Rating and Limit by Direction



	Dynamic Load Rating	Load Limit
F_c	C	0.5C
F_t	C	0.5C
F_s	0.5C	0.5C

Dynamic Load Rating
Load value used in life calculation.
Load Limit
Maximum allowable load applied to bearing.

Dual Shaft Rail Linear Guide 2DA with Modular Short Length Carriage (Dimensions in inches)

Part Number	Nominal Diameter	L1	T2	H	H1	H2	H6	T	B	R	B1	B2
2DA-08-KOA	.500	1.50	3.5	2.062	.875	1.94	.50	4.5	2.00	.500	4.37	3.0
2DA-12-KOA	.750	1.88	4.5	2.562	1.125	2.44	.50	6.0	2.62	.688	5.87	4.0
2DA-16-KOA	1.000	2.63	6.0	3.062	1.375	2.97	.50	7.5	3.25	.875	7.37	5.0

Dual Shaft Rail Linear Guide 2DA with Modular Short Length Carriage (Dimensions in inches)

Part Number	C1	C	N1	N2	M	M1	X	Y	Z	F	G		Max. Stroke Length	Carriage Part Number	Dual Shaft Rail Asmby. Part No.
											Bolt	Hole			
2DA-08-KOA	1.25	1.07	.250	3.00	3.25	.63	4.0	2.0	.75	1/4-20	1/4	.28	L-(3.5)	DSRC-08-BA	DSRA-08
2DA-12-KOA	1.62	1.31	.250	4.00	4.50	.75	6.0	3.0	1.00	1/4-20	5/16	.34	L-(4.5)	DSRC-12-BA	DSRA-12
2DA-16-KOA	2.00	1.68	.375	5.25	5.50	1.00	6.0	3.0	1.25	1/4-20	3/8	.41	L-(6.0)	DSRC-16-BA	DSRA-16

Dual Shaft Rail Support Material: Black Anodized Aluminum Alloy
Maximum continuous length of support rails is 72". If longer continuous shaft support rails are required, please contact the Thomson Linear Guides Application Engineering department.

† Super Ball Bushing bearings are used in .500 inch size carriages.

Dynamic Load Rating (C) Matrix (4 million inches travel)

Linear Guide Assembly Part No.	Dynamic Load Rating, C (lbf) (Even Distribution)	Pillow Block Dynamic Load Rating, C (lbf)	Dynamic Roll Moment Rating, C (in - lbf)
2DA-08-JOB	480	120	720
2DA-12-JOB	3200	800	6400
2DA-16-JOB	5400	1350	13500
2DA-08-KOA	480	240*	720
2DA-12-KOA	3200	1600*	6400
2DA-16-KOA	5400	2700*	13500

* Twin Pillow Block