



STR-SERIES

- Compatible with nearly any servo motor
- High output torque, high rigidity, high moment loads
- Large variety of reduction ratios to choose from
- Zero backlash, with precision as tight as 20 arc-secs
- Large hollow shaft design allows use of air lines or wiring
- Multiple ratios to match application requirements

STR

Sold & Serviced By:

 **ELECTROMATE**

Toll Free Phone (877) SERV098

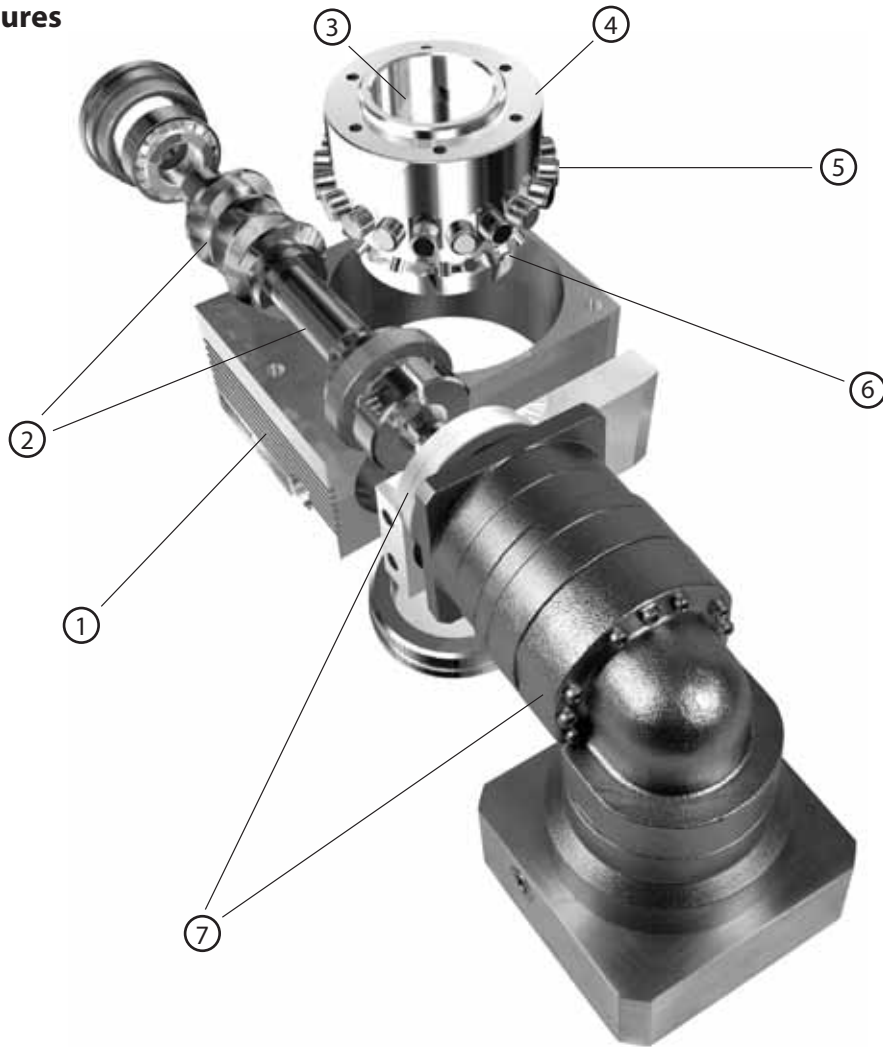
Toll Free Fax (877) SERV099

www.electromate.com

sales@electromate.com

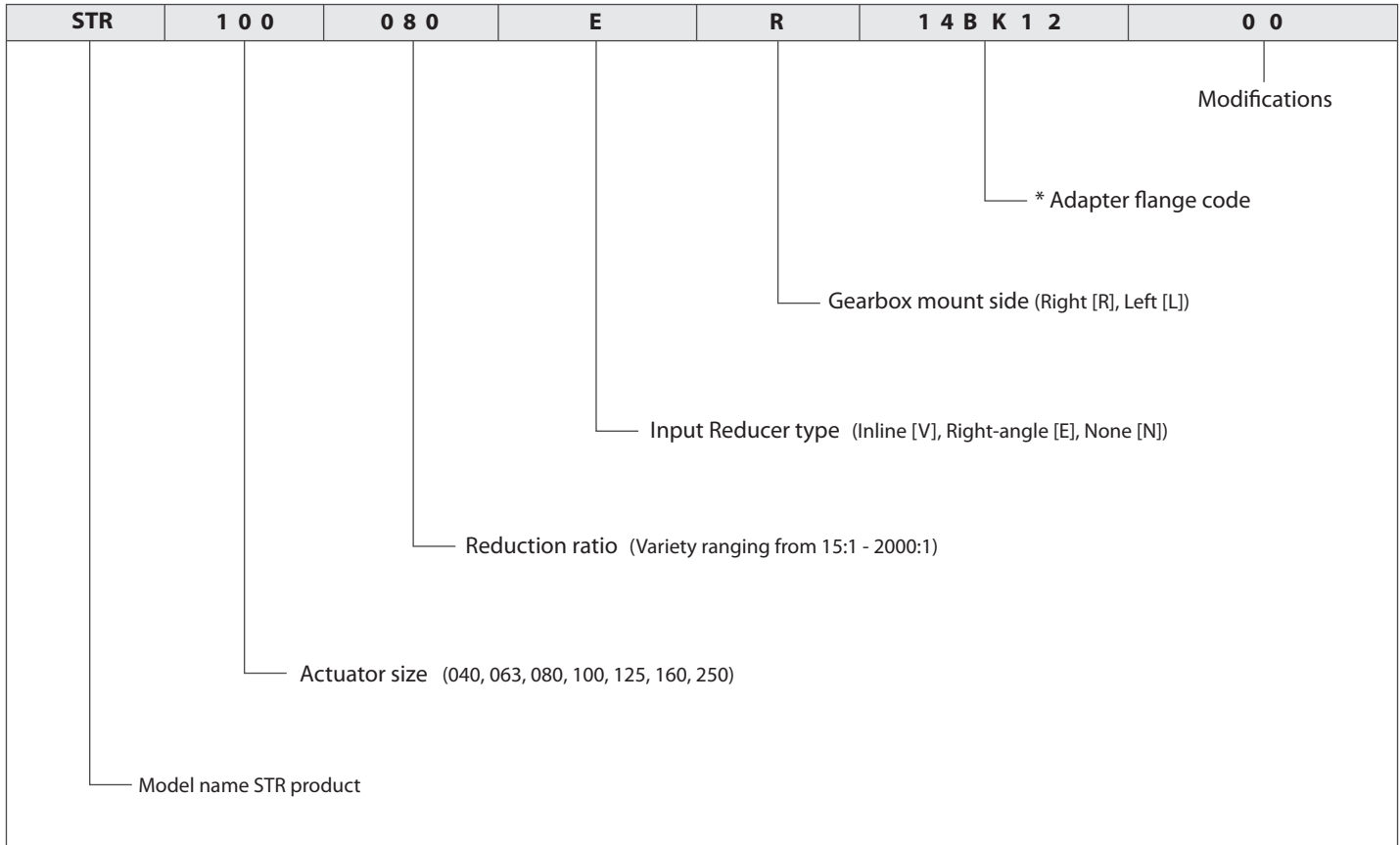
STR-SERIES Rotary indexer

STR-Series – Features



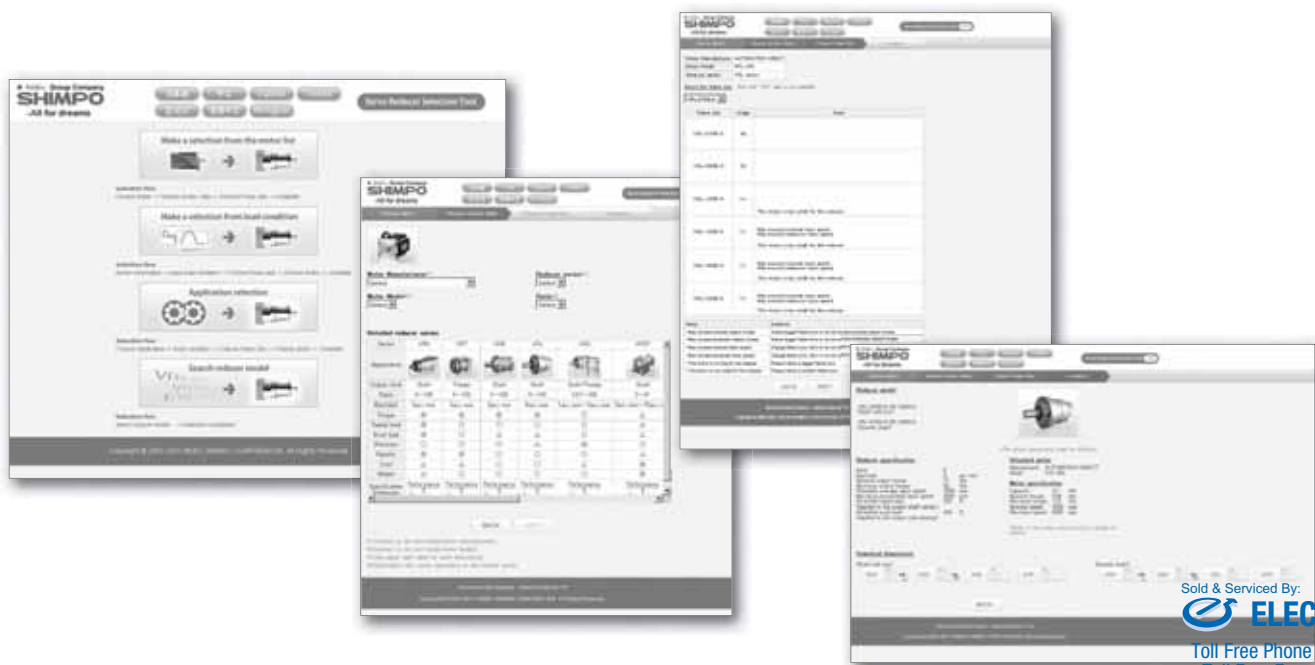
- ① Housing constructed from aluminum alloy
- ② Special worm input shaft providing screw like transmission
- ③ Hollow-bore output shaft
- ④ Output shaft
- ⑤ Cam roller followers
- ⑥ Cross-roller bearing
- ⑦ Direct connection to VRB or EVB planetary reducer

STR-Series – Model Code



*1) Adapter flange code
Adapter flange code varies depending on the motor.

Contact us for additional information or refer to our online reducer selection tool.
Selection tool www.nidec-shimpo.co.jp/selection/eng

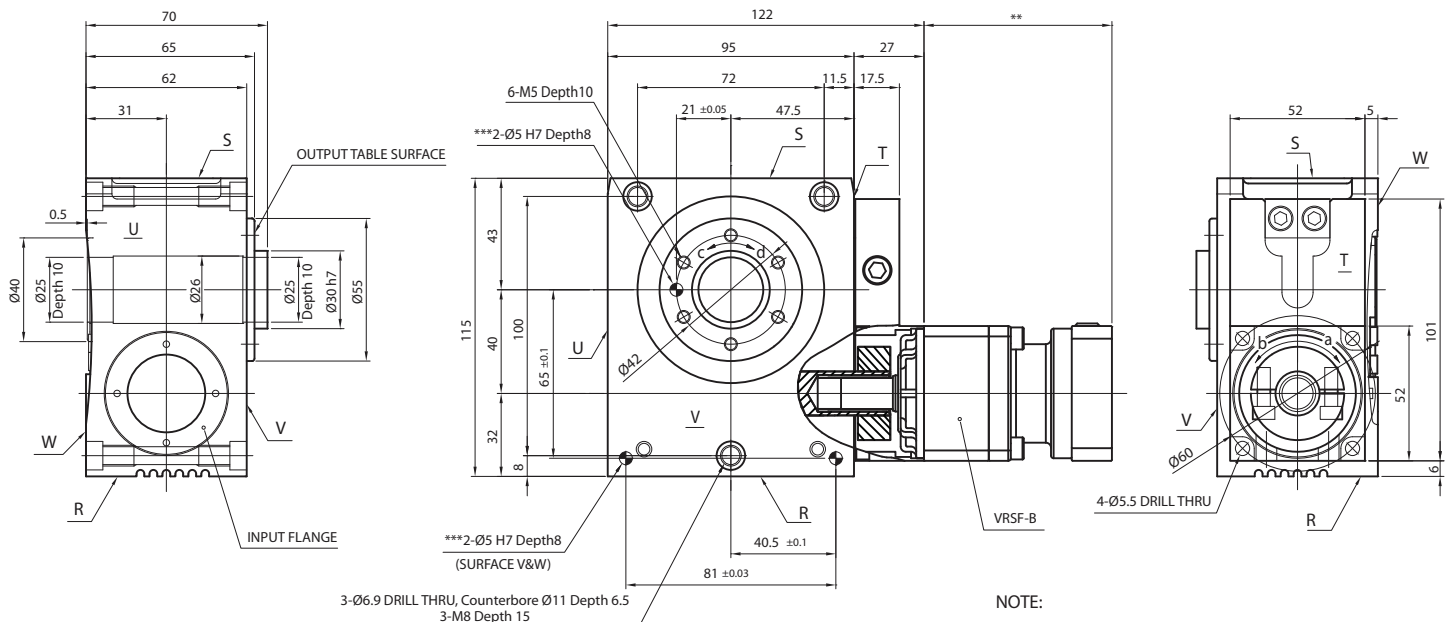


STR-040V – 1-Stage and 2-Stage Specifications with VRSF-B

Frame Size	040V					
			1-Stage		2-Stage	
Stage						
Ratio	Units	Notes	15	45	75	135
Nominal Torque	[Nm]	*1	27	27	27	27
Acceleration Torque	[Nm]	--	58	58	58	58
No Load Torque	[Nm]	*1	0.5	0.2	0.2	0.2
Nominal Input Speed	[rpm]	*2	900	2700	3000	3000
Maximum Input Speed	[rpm]	*2	3000	5000	5000	5000
Reflected Inertia (Single)	[kg·m ² ×10 ⁻⁴]	*3	0.292	--	--	--
Reflected Inertia (≤Ø 8)	[kg·m ² ×10 ⁻⁴]	*3	--	0.082	0.06	0.053
Reflected Inertia (≤Ø 14)	[kg·m ² ×10 ⁻⁴]	*3	--	0.151	0.131	0.121
Backlash	[arc-min]	--	0	0	0	0
Angular Transmission Accuracy	[arc-min]	--	≤ 1.5	≤ 1.5		
Angular Repeatability Accuracy	[arc-min]	--	± 0.2	± 0.2		
Surface Runout	[µm (max)]	--	10	10	10	10
Weight	[kg]	--	2.5	3.2	3.2	3.2
Maximum Axial Load	[N]	--	999	999	999	999
Maximum Radial Load	[N]	--	669	669	669	669
Maximum Tilting Moment Load	[Nm]	--	33	33	33	33
Efficiency	[%]	--	80	76	76	76
Protection Class	--	*4	IP54 (IP65)			

- *1) At nominal input speed
- *2) Speeds are at the actuator input. Limits when used with additional gearbox are higher
- *3) At input shaft
- *4) IP65 (wash-down) is available as an option. Contact NIDEC-SHIMPO for more details and our food grade options

STR-040 Dimensions with VRSF-B

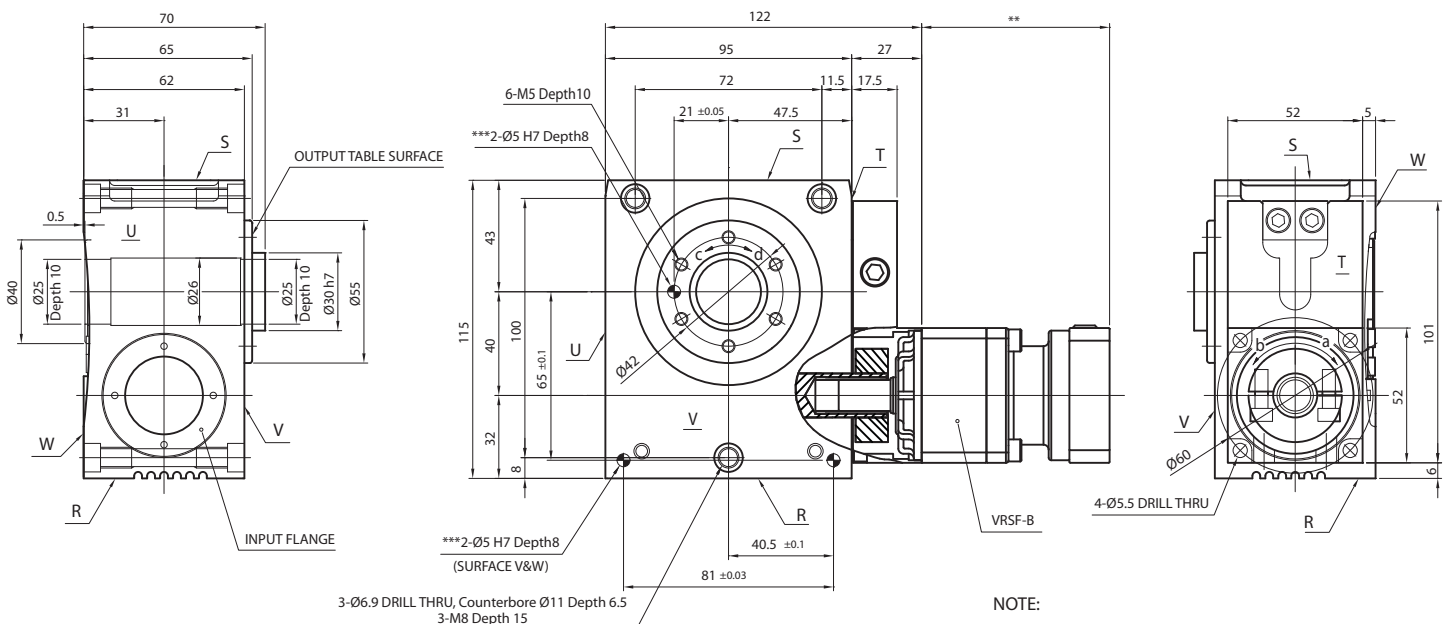


STR-040V – 3-Stage Specifications with VRSF-B

Frame Size	040V					
Stage	3-Stage					
Ratio	Units	Notes	225	300	375	525
Nominal Torque	[Nm]	*1	27	27	27	27
Acceleration Torque	[Nm]	--	58	58	58	58
No Load Torque	[Nm]	*1	0.1	0.1	0.1	0.1
Nominal Input Speed	[rpm]	*2	3000	3000	3000	3000
Maximum Input Speed	[rpm]	*2	5000	5000	5000	5000
Reflected Inertia (Single)	[kg-m ² x10 ⁻⁴]	*3	--	--	--	--
Reflected Inertia (≤Ø 8)	[kg-m ² x10 ⁻⁴]	*3	0.058	0.057	0.057	0.053
Reflected Inertia (≤Ø 14)	[kg-m ² x10 ⁻⁴]	*3	0.131	0.131	0.131	0.121
Backlash	[arc-min]	--	0	0	0	0
Angular Transmission Accuracy	[arc-min]	--	≤ 1.5			
Angular Repeatability Accuracy	[arc-min]	--	± 0.2			
Surface Runout	[µm (max)]	--	10	10	10	10
Weight	[kg]	--	3.4	3.4	3.4	3.4
Maximum Axial Load	[N]	--	999	999	999	999
Maximum Radial Load	[N]	--	669	669	669	669
Maximum Tilting Moment Load	[Nm]	--	33	33	33	33
Efficiency	[%]	--	72	72	72	72
Protection Class	--	*4	IP54 (IP65)			

- *1) At nominal input speed
- *2) Speeds are at the actuator input. Limits when used with additional gearbox are higher
- *3) At input shaft
- *4) IP65 (wash-down) is available as an option. Contact NIDEC-SHIMPO for more details and our food grade options

STR-040 Dimensions with VRSF-B



NOTE:

- ** Refer to page 22, for VRSF B-Frame dimensions
- *** Optional

ROTATION:

- a=d
- a=c (upon special request)

Sold & Serviced By:

ELECTROMATE

Toll Free Phone (877) SERV098
 Toll Free Fax (877) SERV099
www.electromate.com
sales@electromate.com

STR

STR-063V – 1-Stage and 2-Stage Specifications with VRB-060

Frame Size	063V									
	Stage		1-Stage			2-Stage				
Ratio	Units	Notes	20	60	80	100	120	140	160	180
Nominal Torque	[Nm]	*1	69	69	69	69	69	69	69	69
Acceleration Torque	[Nm]	--	129	129	129	129	129	129	129	129
No Load Torque	[Nm]	*1	0.8	0.1	0.1	0.1	0.1	0.1	0.1	0.1
Nominal Input Speed	[rpm]	*2	800	2400	3000	3000	3000	3000	3000	3000
Maximum Input Speed	[rpm]	*2	3000	6000	6000	6000	6000	6000	6000	6000
Reflected Inertia (Single)	[kg-m ² x10 ⁻⁴]	*3	0.862	--	--	--	--	--	--	--
Reflected Inertia (≤Ø 8)	[kg-m ² x10 ⁻⁴]	*3	--	0.142	0.097	0.079	0.070	0.064	0.061	0.059
Reflected Inertia (≤Ø 14)	[kg-m ² x10 ⁻⁴]	*3	--	0.222	0.172	0.162	0.152	0.142	0.142	0.142
Reflected Inertia (≤Ø 19)	[kg-m ² x10 ⁻⁴]	*3	--	0.432	0.382	0.362	0.362	0.352	0.352	0.342
Backlash	[arc-min]	--	0	0	0	0	0	0	0	0
Angular Transmission Accuracy	[arc-min]	--	≤ 1.0			≤ 1.0				
Angular Repeatability Accuracy	[arc-min]	--	± 0.1			± 0.1				
Surface Runout	[µm (max)]	--	10	10	10	10	10	10	10	10
Weight	[kg]	--	5.6	7.0	7.0	7.0	7.0	7.0	7.0	7.0
Maximum Axial Load	[N]	--	1657	1657	1657	1657	1657	1657	1657	1657
Maximum Radial Load	[N]	--	1359	1359	1359	1359	1359	1359	1359	1359
Maximum Tilting Moment Load	[Nm]	--	79	79	79	79	79	79	79	79
Efficiency	[%]	--	82	78	78	78	78	78	78	78
Protection Class	--	*4	IP54 (IP65)							

*1) At nominal input speed

*2) Speeds are at the actuator input. Limits when used with additional gearbox are higher

*3) At input shaft

*4) IP65 (wash-down) is available as an option. Contact NIDEC-SHIMPO for more details and our food grade options

STR-063V – 2-Stage and 3-Stage Specifications with VRB-060

Frame Size	063V									
	Stage		2-Stage			3-Stage				
Ratio	Units	Notes	200	300	320	400	500	560	600	700
Nominal Torque	[Nm]	*1	69	69	69	69	69	69	69	69
Acceleration Torque	[Nm]	--	129	129	129	129	129	129	129	129
No Load Torque	[Nm]	*1	0.1	0.1	0.1	0.1	0.1	0.1	0.1	0.1
Nominal Input Speed	[rpm]	*2	3000	3000	3000	3000	3000	3000	3000	3000
Maximum Input Speed	[rpm]	*2	6000	6000	6000	6000	6000	6000	6000	6000
Reflected Inertia (Single)	[kg-m ² x10 ⁻⁴]	*3	--	--	--	--	--	--	--	--
Reflected Inertia (≤Ø 8)	[kg-m ² x10 ⁻⁴]	*3	0.058	0.057	0.059	0.056	0.055	0.057	0.051	0.055
Reflected Inertia (≤Ø 14)	[kg-m ² x10 ⁻⁴]	*3	0.142	0.142	0.142	0.132	0.132	0.142	0.132	0.132
Reflected Inertia (≤Ø 19)	[kg-m ² x10 ⁻⁴]	*3	0.342	0.352	0.362	0.352	0.352	0.362	0.342	0.352
Backlash	[arc-min]	--	0	0	0	0	0	0	0	0
Angular Transmission Accuracy	[arc-min]	--	≤ 1.0			≤ 1.0				
Angular Repeatability Accuracy	[arc-min]	--	± 0.1			± 0.1				
Surface Runout	[µm (max)]	--	10	10	10	10	10	10	10	10
Weight	[kg]	--	7.0	7.2	7.2	7.2	7.2	7.2	7.2	7.2
Maximum Axial Load	[N]	--	1657	1657	1657	1657	1657	1657	1657	1657
Maximum Radial Load	[N]	--	1359	1359	1359	1359	1359	1359	1359	1359
Maximum Tilting Moment Load	[Nm]	--	79	79	79	79	79	79	79	79
Efficiency	[%]	--	78	74	74	74	74	74	74	74
Protection Class	--	*4	IP54 (IP65)							

*1) At nominal input speed

*2) Speeds are at the actuator input. Limits when used with additional gearbox are higher

*3) At input shaft

*4) IP65 (wash-down) is available as an option. Contact NIDEC-SHIMPO for more details and our food grade options

Sold & Serviced By:

 **ELECTROMATE**
Toll Free Phone (877) SERV098
Toll Free Fax (877) SERV099
www.electromate.com
sales@electromate.com

STR-063E – 1-Stage and 2-Stage Specifications with EVB-060

Frame Size	063E									
	Stage		1-Stage			2-Stage				
Ratio	Units	Notes	20	60	80	100	120	140	160	180
Nominal Torque	[Nm]	*1	69	69	69	69	69	69	69	69
Acceleration Torque	[Nm]	--	129	129	129	129	129	129	129	129
No Load Torque	[Nm]	*1	0.8	0.4	0.4	0.4	0.4	0.4	0.4	0.4
Nominal Input Speed	[rpm]	*2	800	2400	3000	3000	3000	3000	3000	3000
Maximum Input Speed	[rpm]	*2	3000	6000	6000	6000	6000	6000	6000	6000
Reflected Inertia (Single)	[kg-m ² x10 ⁻⁴]	*3	0.862	--	--	--	--	--	--	--
Reflected Inertia (≤Ø 8)	[kg-m ² x10 ⁻⁴]	*3	--	0.311	0.266	0.248	0.239	0.234	0.230	0.228
Reflected Inertia (≤Ø 14)	[kg-m ² x10 ⁻⁴]	*3	--	0.386	0.341	0.323	0.314	0.309	0.305	0.303
Reflected Inertia (≤Ø 19)	[kg-m ² x10 ⁻⁴]	*3	--	0.575	0.53	0.513	0.504	0.498	0.495	0.493
Backlash	[arc-min]	--	0	0	0	0	0	0	0	0
Angular Transmission Accuracy	[arc-min]	--	≤ 1.0			≤ 1.0				
Angular Repeatability Accuracy	[arc-min]	--	± 0.1			± 0.1				
Surface Runout	[µm (max)]	--	10	10	10	10	10	10	10	10
Weight	[kg]	--	5.6	7.4	7.4	7.4	7.4	7.4	7.4	7.4
Maximum Axial Load	[N]	--	1657	1657	1657	1657	1657	1657	1657	1657
Maximum Radial Load	[N]	--	1359	1359	1359	1359	1359	1359	1359	1359
Maximum Tilting Moment Load	[Nm]	--	79	79	79	79	79	79	79	79
Efficiency	[%]	--	82	74	74	74	74	74	74	74
Protection Class	--	*4	IP54 (IP65)							

*1) At nominal input speed

*2) Speeds are at the actuator input. Limits when used with additional gearbox are higher

*3) At input shaft

*4) IP65 (wash-down) is available as an option. Contact NIDEC-SHIMPO for more details and our food grade options

STR-063E – 2-Stage and 3-Stage Specifications with EVB-060

Frame Size	063E									
	Stage		2-Stage			3-Stage				
Ratio	Units	Notes	200	300	320	400	500	560	600	700
Nominal Torque	[Nm]	*1	69	69	69	69	69	69	69	69
Acceleration Torque	[Nm]	--	129	129	129	129	129	129	129	129
No Load Torque	[Nm]	*1	0.4	0.2	0.2	0.2	0.2	0.2	0.2	0.2
Nominal Input Speed	[rpm]	*2	3000	3000	3000	3000	3000	3000	3000	3000
Maximum Input Speed	[rpm]	*2	6000	6000	6000	6000	6000	6000	6000	6000
Reflected Inertia (Single)	[kg-m ² x10 ⁻⁴]	*3	--	--	--	--	--	--	--	--
Reflected Inertia (≤Ø 8)	[kg-m ² x10 ⁻⁴]	*3	0.227	0.073	0.079	0.071	0.071	0.077	0.062	0.07
Reflected Inertia (≤Ø 14)	[kg-m ² x10 ⁻⁴]	*3	0.302	0.118	0.124	0.116	0.115	0.122	0.106	0.115
Reflected Inertia (≤Ø 19)	[kg-m ² x10 ⁻⁴]	*3	0.491	--	--	--	--	--	--	--
Backlash	[arc-min]	--	0	0	0	0	0	0	0	0
Angular Transmission Accuracy	[arc-min]	--	≤ 1.0			≤ 1.0				
Angular Repeatability Accuracy	[arc-min]	--	± 0.1			± 0.1				
Surface Runout	[µm (max)]	--	10	10	10	10	10	10	10	10
Weight	[kg]	--	7.4	7.2	7.2	7.2	7.2	7.2	7.2	7.2
Maximum Axial Load	[N]	--	1657	1657	1657	1657	1657	1657	1657	1657
Maximum Radial Load	[N]	--	1359	1359	1359	1359	1359	1359	1359	1359
Maximum Tilting Moment Load	[Nm]	--	79	79	79	79	79	79	79	79
Efficiency	[%]	--	74	70	70	70	70	70	70	70
Protection Class	--	*4	IP54 (IP65)							

*1) At nominal input speed

*2) Speeds are at the actuator input. Limits when used with additional gearbox are higher

*3) At input shaft

*4) IP65 (wash-down) is available as an option. Contact NIDEC-SHIMPO for more details and our food grade options

Sold & Serviced By:

 **ELECTROMATE**

Toll Free Phone (877) SERV098

Toll Free Fax (877) SERV099

www.electromate.com

sales@electromate.com

STR-o63E – 3-Stage Specifications with EVB-o6o

Frame Size	063E									
Stage	3-Stage									
Ratio	Units	Notes	800	900	1000	1200	1400	1600	1800	2000
Nominal Torque	[Nm]	*1	69	69	69	69	69	69	69	69
Acceleration Torque	[Nm]	--	129	129	129	129	129	129	129	129
No Load Torque	[Nm]	*1	0.2	0.2	0.2	0.2	0.2	0.2	0.2	0.2
Nominal Input Speed	[rpm]	*2	3000	3000	3000	3000	3000	3000	3000	3000
Maximum Input Speed	[rpm]	*2	6000	6000	6000	6000	6000	6000	6000	6000
Reflected Inertia (Single)	[kg·m ² ×10 ⁻⁴]	*3	--	--	--	--	--	--	--	--
Reflected Inertia (≤Ø 8)	[kg·m ² ×10 ⁻⁴]	*3	0.061	0.07	0.061	0.061	0.061	0.061	0.061	0.061
Reflected Inertia (≤Ø 14)	[kg·m ² ×10 ⁻⁴]	*3	0.106	0.115	0.106	0.106	0.105	0.105	0.105	0.105
Reflected Inertia (≤Ø 19)	[kg·m ² ×10 ⁻⁴]	*3	--	--	--	--	--	--	--	--
Backlash	[arc-min]	--	0	0	0	0	0	0	0	0
Angular Transmission Accuracy	[arc-min]	--	≤ 1.0							
Angular Repeatability Accuracy	[arc-min]	--	± 0.1							
Surface Runout	[µm (max)]	--	10	10	10	10	10	10	10	10
Weight	[kg]	--	7.2	7.2	7.2	7.2	7.2	7.2	7.2	7.2
Maximum Axial Load	[N]	--	1657	1657	1657	1657	1657	1657	1657	1657
Maximum Radial Load	[N]	--	1359	1359	1359	1359	1359	1359	1359	1359
Maximum Tilting Moment Load	[Nm]	--	79	79	79	79	79	79	79	79
Efficiency	[%]	--	70	70	70	70	70	70	70	70
Protection Class	--	*4	IP54 (IP65)							

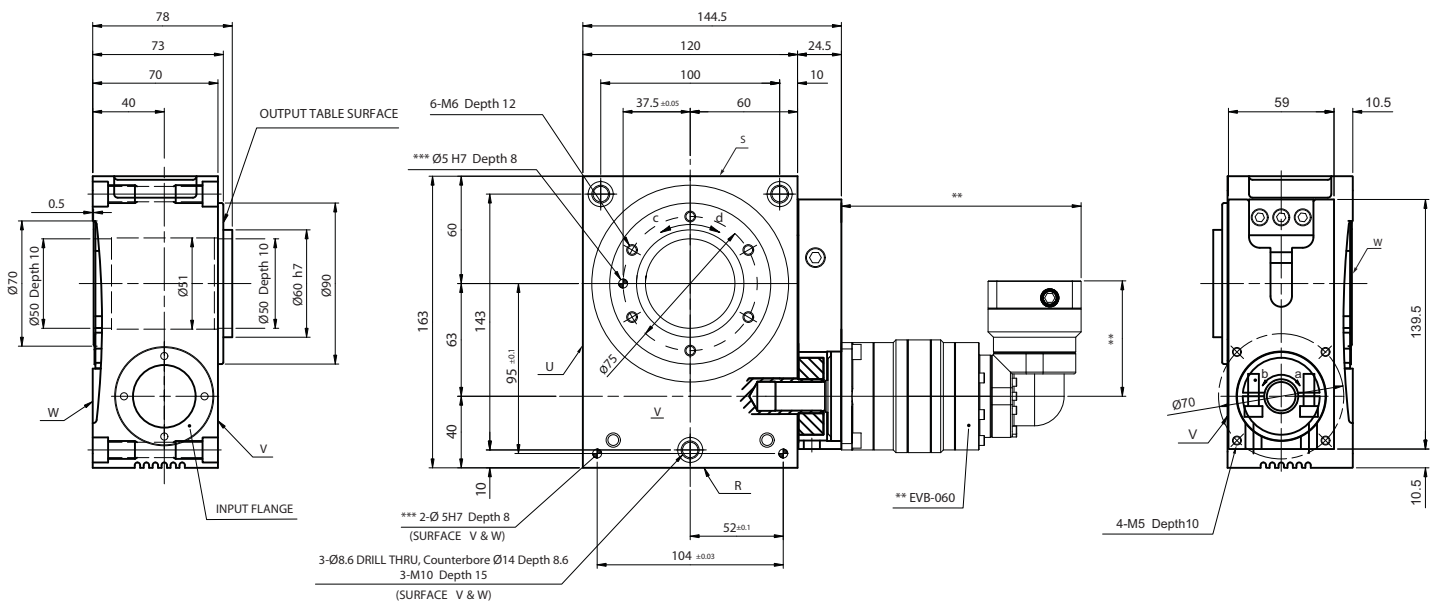
*1) At nominal input speed

*2) Speeds are at the actuator input. Limits when used with additional gearbox are higher

*3) At input shaft

*4) IP65 (wash-down) is available as an option. Contact NIDEC-SHIMPO for more details and our food grade options

STR-o63 Dimensions with EVB-o6o



NOTE:

** Refer to page 290, for EVB-060 dimensions

*** Optional

ROTATION:

a=d

a=c (upon special request)

Sold & Serviced By:

ELECTROMATE

Toll Free Phone (877) SERV098

Toll Free Fax (877) SERV099

www.electromate.com

sales@electromate.com

STR

STR-o8oV – 1-Stage and 2-Stage Specifications with VRB-o6o

Frame Size	080V									
Stage			1-Stage	2-Stage						
Ratio	Units	Notes	20	60	80	100	120	140	160	180
Nominal Torque	[Nm]	*1	113	113	113	113	113	113	113	113
Acceleration Torque	[Nm]	--	202	202	202	202	202	202	202	202
No Load Torque	[Nm]	*1	1.3	0.1	0.1	0.1	0.1	0.1	0.1	0.1
Nominal Input Speed	[rpm]	*2	700	2100	2800	3000	3000	3000	3000	3000
Maximum Input Speed	[rpm]	*2	2500	6000	6000	6000	6000	6000	6000	6000
Reflected Inertia (Single)	[kg-m ² x10 ⁻⁴]	*3	3.066	--	--	--	--	--	--	--
Reflected Inertia (≤Ø 8)	[kg-m ² x10 ⁻⁴]	*3	--	0.148	0.103	0.085	0.076	0.070	0.067	0.065
Reflected Inertia (≤Ø 14)	[kg-m ² x10 ⁻⁴]	*3	--	0.228	0.178	0.168	0.158	0.148	0.148	0.148
Reflected Inertia (≤Ø 19)	[kg-m ² x10 ⁻⁴]	*3	--	0.438	0.388	0.368	0.368	0.358	0.358	0.348
Backlash	[arc-min]	--	0	0	0	0	0	0	0	0
Angular Transmission Accuracy	[arc-min]	--	≤ 0.7	≤ 0.7						
Angular Repeatability Accuracy	[arc-min]	--	± 0.08	± 0.08						
Surface Runout	[µm (max)]	--	10	10	10	10	10	10	10	10
Weight	[kg]	--	11.6	13.0	13.0	13.0	13.0	13.0	13.0	13.0
Maximum Axial Load	[N]	--	3302	3302	3302	3302	3302	3302	3302	3302
Maximum Radial Load	[N]	--	2819	2819	2819	2819	2819	2819	2819	2819
Maximum Tilting Moment Load	[Nm]	--	210	210	210	210	210	210	210	210
Efficiency	[%]	--	80	76	76	76	76	76	76	76
Protection Class	--	*4	IP54 (IP65)							

*1) At nominal input speed

*2) Speeds are at the actuator input. Limits when used with additional gearbox are higher

*3) At input shaft

*4) IP65 (wash-down) is available as an option. Contact NIDEC-SHIMPO for more details and our food grade options

STR-o8oV – 2-Stage and 3-Stage Specifications with VRB-o6o

Frame Size	080V									
Stage			2-Stage	3-Stage						
Ratio	Units	Notes	200	300	320	400	500	560	600	700
Nominal Torque	[Nm]	*1	113	113	113	113	113	113	113	113
Acceleration Torque	[Nm]	--	202	202	202	202	202	202	202	202
No Load Torque	[Nm]	*1	0.1	0.1	0.1	0.1	0.1	0.1	0.1	0.1
Nominal Input Speed	[rpm]	*2	3000	3000	3000	3000	3000	3000	3000	3000
Maximum Input Speed	[rpm]	*2	6000	6000	6000	6000	6000	6000	6000	6000
Reflected Inertia (Single)	[kg-m ² x10 ⁻⁴]	*3	--	--	--	--	--	--	--	--
Reflected Inertia (≤Ø 8)	[kg-m ² x10 ⁻⁴]	*3	0.064	0.063	0.065	0.062	0.061	0.063	0.057	0.061
Reflected Inertia (≤Ø 14)	[kg-m ² x10 ⁻⁴]	*3	0.148	0.148	0.148	0.138	0.138	0.148	0.138	0.138
Reflected Inertia (≤Ø 19)	[kg-m ² x10 ⁻⁴]	*3	0.348	0.358	0.368	0.358	0.358	0.368	0.348	0.358
Backlash	[arc-min]	--	0	0	0	0	0	0	0	0
Angular Transmission Accuracy	[arc-min]	--	≤ 0.7	≤ 0.7						
Angular Repeatability Accuracy	[arc-min]	--	± 0.08	± 0.08						
Surface Runout	[µm (max)]	--	10	10	10	10	10	10	10	10
Weight	[kg]	--	13.0	13.2	13.2	13.2	13.2	13.2	13.2	13.2
Maximum Axial Load	[N]	--	3302	3302	3302	3302	3302	3302	3302	3302
Maximum Radial Load	[N]	--	2819	2819	2819	2819	2819	2819	2819	2819
Maximum Tilting Moment Load	[Nm]	--	210	210	210	210	210	210	210	210
Efficiency	[%]	--	76	72	72	72	72	72	72	72
Protection Class	--	*4	IP54 (IP65)							

*1) At nominal input speed

*2) Speeds are at the actuator input. Limits when used with additional gearbox are higher

*3) At input shaft

*4) IP65 (wash-down) is available as an option. Contact NIDEC-SHIMPO for more details and our food grade options

Sold & Serviced By:



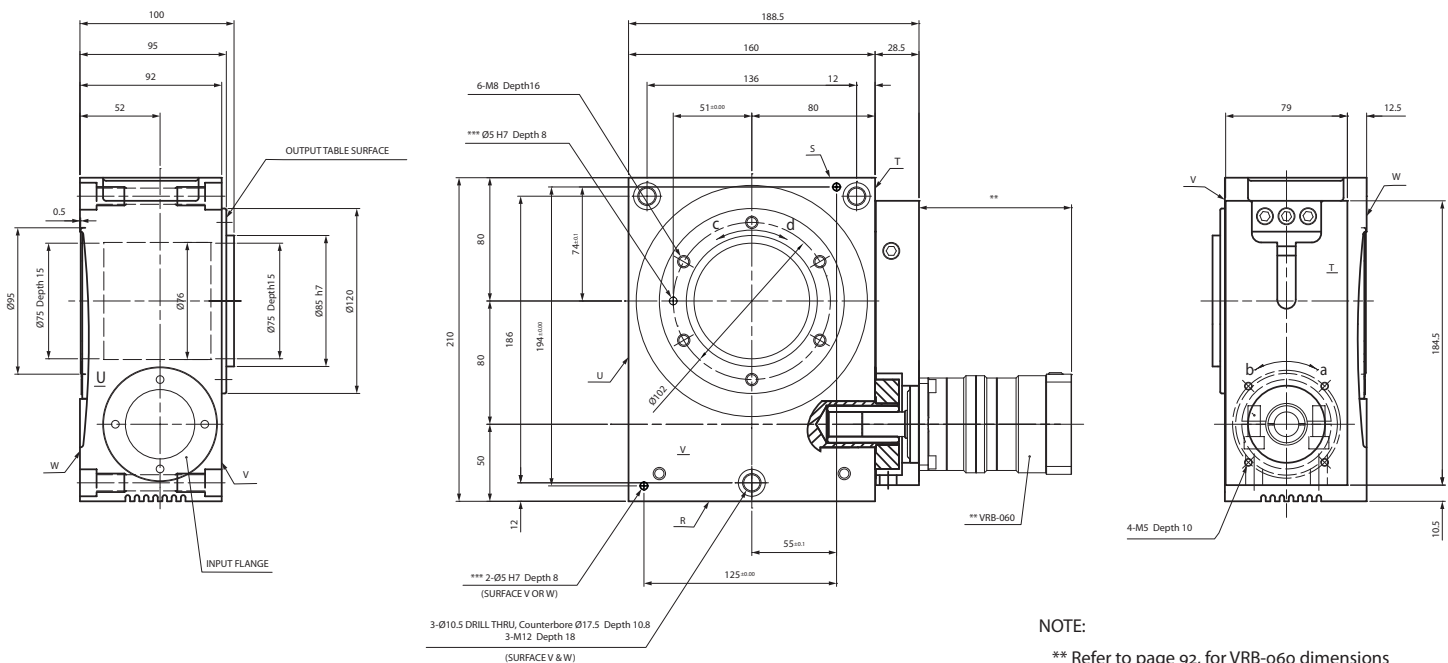
Toll Free Phone (877) SERV098
Toll Free Fax (877) SERV099
www.electromate.com
sales@electromate.com

STR-o8oV – 3-Stage Specifications with VRB-o6o

Frame Size	080V									
Stage	3-Stage									
Ratio	Units	Notes	800	900	1000	1200	1400	1600	1800	2000
Nominal Torque	[Nm]	*1	113	113	113	113	113	113	113	113
Acceleration Torque	[Nm]	--	202	202	202	202	202	202	202	202
No Load Torque	[Nm]	*1	0.1	0.1	0.1	0.1	0.1	0.1	0.1	0.1
Nominal Input Speed	[rpm]	*2	3000	3000	3000	3000	3000	3000	3000	3000
Maximum Input Speed	[rpm]	*2	6000	6000	6000	6000	6000	6000	6000	6000
Reflected Inertia (Single)	[kg-m ² x10 ⁻⁴]	*3	--	--	--	--	--	--	--	--
Reflected Inertia (≤Ø 8)	[kg-m ² x10 ⁻⁴]	*3	0.057	0.061	0.057	0.057	0.057	0.057	0.057	0.057
Reflected Inertia (≤Ø 14)	[kg-m ² x10 ⁻⁴]	*3	0.138	0.138	0.138	0.138	0.138	0.138	0.138	0.138
Reflected Inertia (≤Ø 19)	[kg-m ² x10 ⁻⁴]	*3	0.348	0.358	0.348	0.348	0.348	0.348	0.348	0.348
Backlash	[arc-min]	--	0	0	0	0	0	0	0	0
Angular Transmission Accuracy	[arc-min]	--	≤ 0.7							
Angular Repeatability Accuracy	[arc-min]	--	± 0.08							
Surface Runout	[µm (max)]	--	10	10	10	10	10	10	10	10
Weight	[kg]	--	13.2	13.2	13.2	13.2	13.2	13.2	13.2	13.2
Maximum Axial Load	[N]	--	3302	3302	3302	3302	3302	3302	3302	3302
Maximum Radial Load	[N]	--	2819	2819	2819	2819	2819	2819	2819	2819
Maximum Tilting Moment Load	[Nm]	--	210	210	210	210	210	210	210	210
Efficiency	[%]	--	72	72	72	72	72	72	72	72
Protection Class	--	*4	IP54 (IP65)							

- *1) At nominal input speed
- *2) Speeds are at the actuator input. Limits when used with additional gearbox are higher
- *3) At input shaft
- *4) IP65 (wash-down) is available as an option. Contact NIDEC-SHIMPO for more details and our food grade options

STR-o8oV Dimensions with VRB-o6o



NOTE:

- ** Refer to page 92, for VRB-o6o dimensions
- *** Optional

ROTATION:

- a=d
- a=c (upon special request)

STR-o8oE – 1-Stage and 2-Stage Specifications with EVB-o6o

Frame Size	080E									
Stage			1-Stage	2-Stage						
Ratio	Units	Notes	20	60	80	100	120	140	160	180
Nominal Torque	[Nm]	*1	113	113	113	113	113	113	113	113
Acceleration Torque	[Nm]	--	202	202	202	202	202	202	202	202
No Load Torque	[Nm]	*1	1.3	0.4	0.4	0.4	0.4	0.4	0.4	0.4
Nominal Input Speed	[rpm]	*2	700	2100	2800	3000	3000	3000	3000	3000
Maximum Input Speed	[rpm]	*2	2500	6000	6000	6000	6000	6000	6000	6000
Reflected Inertia (Single)	[kg-m ² x10 ⁻⁴]	*3	3.066	--	--	--	--	--	--	--
Reflected Inertia (≤Ø 8)	[kg-m ² x10 ⁻⁴]	*3	--	0.319	0.274	0.256	0.247	0.242	0.238	0.236
Reflected Inertia (≤Ø 14)	[kg-m ² x10 ⁻⁴]	*3	--	0.394	0.349	0.331	0.322	0.317	0.313	0.311
Reflected Inertia (≤Ø 19)	[kg-m ² x10 ⁻⁴]	*3	--	0.583	0.538	0.521	0.512	0.506	0.503	0.501
Backlash	[arc-min]	--	0	0	0	0	0	0	0	0
Angular Transmission Accuracy	[arc-min]	--	≤ 0.7	≤ 0.7						
Angular Repeatability Accuracy	[arc-min]	--	± 0.08	± 0.08						
Surface Runout	[µm (max)]	--	10	10	10	10	10	10	10	10
Weight	[kg]	--	11.6	13.4	13.4	13.4	13.4	13.4	13.4	13.4
Maximum Axial Load	[N]	--	3302	3302	3302	3302	3302	3302	3302	3302
Maximum Radial Load	[N]	--	2819	2819	2819	2819	2819	2819	2819	2819
Maximum Tilting Moment Load	[Nm]	--	210	210	210	210	210	210	210	210
Efficiency	[%]	--	80	72	72	72	72	72	72	72
Protection Class	--	*4	IP54 (IP65)							

*1) At nominal input speed

*2) Speeds are at the actuator input. Limits when used with additional gearbox are higher

*3) At input shaft

*4) IP65 (wash-down) is available as an option. Contact NIDEC-SHIMPO for more details and our food grade options

STR-o8oE – 2-Stage and 3-Stage Specifications with EVB-o6o

Frame Size	080E									
Stage			2-Stage	3-Stage						
Ratio	Units	Notes	200	300	320	400	500	560	600	700
Nominal Torque	[Nm]	*1	113	113	113	113	113	113	113	113
Acceleration Torque	[Nm]	--	202	202	202	202	202	202	202	202
No Load Torque	[Nm]	*1	0.4	0.3	0.3	0.3	0.3	0.3	0.3	0.3
Nominal Input Speed	[rpm]	*2	3000	3000	3000	3000	3000	3000	3000	3000
Maximum Input Speed	[rpm]	*2	6000	6000	6000	6000	6000	6000	6000	6000
Reflected Inertia (Single)	[kg-m ² x10 ⁻⁴]	*3	--	--	--	--	--	--	--	--
Reflected Inertia (≤Ø 8)	[kg-m ² x10 ⁻⁴]	*3	0.235	0.081	0.087	0.079	0.079	0.085	0.070	0.078
Reflected Inertia (≤Ø 14)	[kg-m ² x10 ⁻⁴]	*3	0.310	0.126	0.132	0.124	0.123	0.130	0.114	0.123
Reflected Inertia (≤Ø 19)	[kg-m ² x10 ⁻⁴]	*3	0.499	--	--	--	--	--	--	--
Backlash	[arc-min]	--	0	0	0	0	0	0	0	0
Angular Transmission Accuracy	[arc-min]	--	≤ 0.7	≤ 0.7						
Angular Repeatability Accuracy	[arc-min]	--	± 0.08	± 0.08						
Surface Runout	[µm (max)]	--	10	10	10	10	10	10	10	10
Weight	[kg]	--	13.4	13.2	13.2	13.2	13.2	13.2	13.2	13.2
Maximum Axial Load	[N]	--	3302	3302	3302	3302	3302	3302	3302	3302
Maximum Radial Load	[N]	--	2819	2819	2819	2819	2819	2819	2819	2819
Maximum Tilting Moment Load	[Nm]	--	210	210	210	210	210	210	210	210
Efficiency	[%]	--	72	68	68	68	68	68	68	68
Protection Class	--	*4	IP54 (IP65)							

*1) At nominal input speed

*2) Speeds are at the actuator input. Limits when used with additional gearbox are higher

*3) At input shaft

*4) IP65 (wash-down) is available as an option. Contact NIDEC-SHIMPO for more details and our food grade options

Sold & Serviced By:



Toll Free Phone (877) SERV098
Toll Free Fax (877) SERV099
www.electromate.com
sales@electromate.com

STR-o8oE – 3-Stage Specifications with EVB-o6o

Frame Size	080E									
Stage	3-Stage									
Ratio	Units	Notes	800	900	1000	1200	1400	1600	1800	2000
Nominal Torque	[Nm]	*1	113	113	113	113	113	113	113	113
Acceleration Torque	[Nm]	--	202	202	202	202	202	202	202	202
No Load Torque	[Nm]	*1	0.3	0.3	0.3	0.3	0.3	0.3	0.3	0.3
Nominal Input Speed	[rpm]	*2	3000	3000	3000	3000	3000	3000	3000	3000
Maximum Input Speed	[rpm]	*2	6000	6000	6000	6000	6000	6000	6000	6000
Reflected Inertia (Single)	[kg·m ² ×10 ⁻⁴]	*3	--	--	--	--	--	--	--	--
Reflected Inertia (≤Ø 8)	[kg·m ² ×10 ⁻⁴]	*3	0.069	0.078	0.069	0.069	0.069	0.069	0.069	0.069
Reflected Inertia (≤Ø 14)	[kg·m ² ×10 ⁻⁴]	*3	0.114	0.123	0.114	0.114	0.113	0.113	0.113	0.113
Reflected Inertia (≤Ø 19)	[kg·m ² ×10 ⁻⁴]	*3	--	--	--	--	--	--	--	--
Backlash	[arc-min]	--	0	0	0	0	0	0	0	0
Angular Transmission Accuracy	[arc-min]	--	≤ 0.7							
Angular Repeatability Accuracy	[arc-min]	--	± 0.08							
Surface Runout	[µm (max)]	--	10	10	10	10	10	10	10	10
Weight	[kg]	--	13.2	13.2	13.2	13.2	13.2	13.2	13.2	13.2
Maximum Axial Load	[N]	--	3302	3302	3302	3302	3302	3302	3302	3302
Maximum Radial Load	[N]	--	2819	2819	2819	2819	2819	2819	2819	2819
Maximum Tilting Moment Load	[Nm]	--	210	210	210	210	210	210	210	210
Efficiency	[%]	--	68	68	68	68	68	68	68	68
Protection Class	--	*4	IP54 (IP65)							

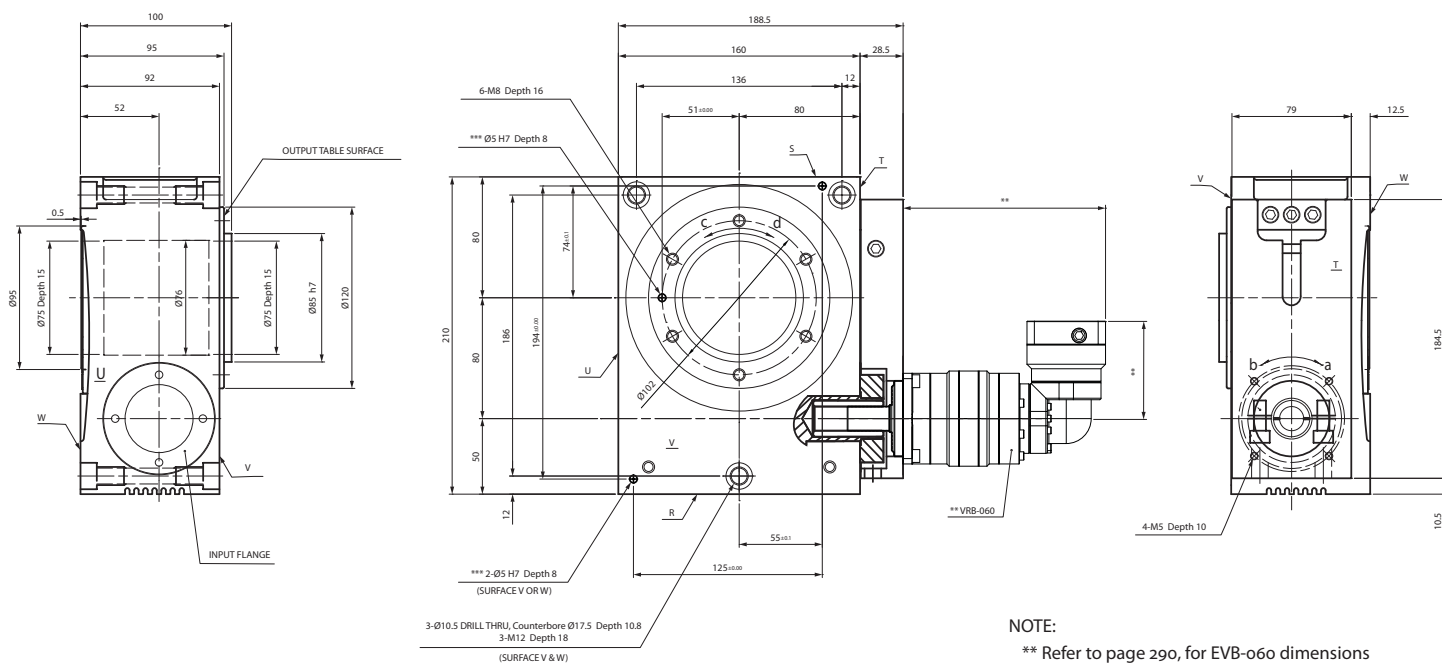
*1) At nominal input speed

*2) Speeds are at the actuator input. Limits when used with additional gearbox are higher

*3) At input shaft

*4) IP65 (wash-down) is available as an option. Contact NIDEC-SHIMPO for more details and our food grade options

STR-o8oE Dimensions with EVB-o6o



ROTATION:

a=d

a=c (upon special request)

Sold & Serviced By:

ELECTROMATE

Toll Free Phone (877) SERV098

Toll Free Fax (877) SERV099

www.electromate.com

sales@electromate.com

STR

STR-SERIES Rotary indexer

STR-100V – 1-Stage and 2-Stage Specifications with VRB-090

Frame Size	100V									
Stage			1-Stage	2-Stage						
Ratio	Units	Notes	20	60	80	100	120	140	160	180
Nominal Torque	[Nm]	*1	330	330	330	330	330	330	330	330
Acceleration Torque	[Nm]	--	565	565	565	565	565	565	565	565
No Load Torque	[Nm]	*1	2.6	0.3	0.3	0.3	0.3	0.3	0.3	0.3
Nominal Input Speed	[rpm]	*2	600	1800	2400	3000	3000	3000	3000	3000
Maximum Input Speed	[rpm]	*2	2000	6000	6000	6000	6000	6000	6000	6000
Reflected Inertia (Single)	[kg-m ² x10 ⁻⁴]	*3	8.687	--	--	--	--	--	--	--
Reflected Inertia (≤Ø 8)	[kg-m ² x10 ⁻⁴]	*3	--	--	--	--	--	--	--	--
Reflected Inertia (≤Ø 14)	[kg-m ² x10 ⁻⁴]	*3	--	0.742	0.512	0.422	0.382	0.342	0.332	0.312
Reflected Inertia (≤Ø 19)	[kg-m ² x10 ⁻⁴]	*3	--	1.222	0.972	0.882	0.842	0.812	0.792	0.782
Reflected Inertia (≤Ø 28)	[kg-m ² x10 ⁻⁴]	*3	--	3.222	3.022	2.922	2.822	2.822	2.822	2.822
Backlash	[arc-min]	--	0	0	0	0	0	0	0	0
Angular Transmission Accuracy	[arc-min]	--	≤ 0.7	≤ 0.7						
Angular Repeatability Accuracy	[arc-min]	--	± 0.08	± 0.08						
Surface Runout	[µm (max)]	--	10	10	10	10	10	10	10	10
Weight	[kg]	--	21.5	25.2	25.2	25.2	25.2	25.2	25.2	25.2
Maximum Axial Load	[N]	--	3724	3724	3724	3724	3724	3724	3724	3724
Maximum Radial Load	[N]	--	3109	3109	3109	3109	3109	3109	3109	3109
Maximum Tilting Moment Load	[Nm]	--	284	284	284	284	284	284	284	284
Efficiency	[%]	--	82	78	78	78	78	78	78	78
Protection Class	IP54 (IP65)									

*1) At nominal input speed

*2) Speeds are at the actuator input. Limits when used with additional gearbox are higher

*3) At input shaft

*4) IP65 (wash-down) is available as an option. Contact NIDEC-SHIMPO for more details and our food grade options

STR-100V – 2-Stage and 3-Stage Specifications with VRB-090

Frame Size	100V									
Stage			2-Stage	3-Stage						
Ratio	Units	Notes	200	300	320	400	500	560	600	700
Nominal Torque	[Nm]	*1	330	330	330	330	330	330	330	330
Acceleration Torque	[Nm]	--	565	565	565	565	565	565	565	565
No Load Torque	[Nm]	*1	0.3	0.2	0.2	0.2	0.2	0.2	0.2	0.2
Nominal Input Speed	[rpm]	*2	3000	3000	3000	3000	3000	3000	3000	3000
Maximum Input Speed	[rpm]	*2	6000	6000	6000	6000	6000	6000	6000	6000
Reflected Inertia (Single)	[kg-m ² x10 ⁻⁴]	*3	--	--	--	--	--	--	--	--
Reflected Inertia (≤Ø 8)	[kg-m ² x10 ⁻⁴]	*3	--	0.152	0.172	0.152	0.142	0.162	0.122	0.142
Reflected Inertia (≤Ø 14)	[kg-m ² x10 ⁻⁴]	*3	0.312	0.302	0.322	0.302	0.302	0.312	0.272	0.292
Reflected Inertia (≤Ø 19)	[kg-m ² x10 ⁻⁴]	*3	0.772	0.742	0.762	0.742	0.732	0.752	0.722	0.732
Reflected Inertia (≤Ø 28)	[kg-m ² x10 ⁻⁴]	*3	2.822	2.722	2.822	2.722	2.722	2.722	2.622	2.722
Backlash	[arc-min]	--	0	0	0	0	0	0	0	0
Angular Transmission Accuracy	[arc-min]	--	≤ 0.7	≤ 0.7						
Angular Repeatability Accuracy	[arc-min]	--	± 0.08	± 0.08						
Surface Runout	[µm (max)]	--	10	10	10	10	10	10	10	10
Weight	[kg]	--	25.2	25.7	25.7	25.7	25.7	25.7	25.7	25.7
Maximum Axial Load	[N]	--	3724	3724	3724	3724	3724	3724	3724	3724
Maximum Radial Load	[N]	--	3109	3109	3109	3109	3109	3109	3109	3109
Maximum Tilting Moment Load	[Nm]	--	284	284	284	284	284	284	284	284
Efficiency	[%]	--	78	74	74	74	74	74	74	74
Protection Class	IP54 (IP65)									

*1) At nominal input speed

*2) Speeds are at the actuator input. Limits when used with additional gearbox are higher

*3) At input shaft

*4) IP65 (wash-down) is available as an option. Contact NIDEC-SHIMPO for more details and our food grade options

Sold & Serviced By:
ELECTROMATE

Toll Free Phone (877) SERV098
Toll Free Fax (877) SERV099
www.electromate.com
sales@electromate.com

STR-100E – 1-Stage and 2-Stage Specifications with EVB-090

Frame Size	100E									
Stage			1-Stage	2-Stage						
Ratio	Units	Notes	20	60	80	100	120	140	160	180
Nominal Torque	[Nm]	*1	330	330	330	330	330	330	330	330
Acceleration Torque	[Nm]	--	565	565	565	565	565	565	565	565
No Load Torque	[Nm]	*1	2.6	1.3	1.3	1.3	1.3	1.3	1.3	1.3
Nominal Input Speed	[rpm]	*2	600	1800	2400	3000	3000	3000	3000	3000
Maximum Input Speed	[rpm]	*2	2000	6000	6000	6000	6000	6000	6000	6000
Reflected Inertia	[kg-m ² x10 ⁻⁴]	*3	8.687	--	--	--	--	--	--	--
Reflected Inertia (≤Ø 8)	[kg-m ² x10 ⁻⁴]	*3	--	--	--	--	--	--	--	--
Reflected Inertia (≤Ø 14)	[kg-m ² x10 ⁻⁴]	*3	--	2.132	1.912	1.822	1.782	1.752	1.732	1.722
Reflected Inertia (≤Ø 19)	[kg-m ² x10 ⁻⁴]	*3	--	2.462	2.242	2.152	2.112	2.082	2.062	2.052
Reflected Inertia (≤Ø 28)	[kg-m ² x10 ⁻⁴]	*3	--	4.592	4.372	4.282	4.232	4.202	4.192	4.182
Backlash	[arc-min]	--	0	0	0	0	0	0	0	0
Angular Transmission Accuracy	[arc-min]	--	≤ 0.7	≤ 0.7						
Angular Repeatability Accuracy	[arc-min]	--	± 0.08	± 0.08						
Surface Runout	[µm (max)]	--	10	10	10	10	10	10	10	10
Weight	[kg]	--	21.5	26.6	26.6	26.6	26.6	26.6	26.6	26.6
Maximum Axial Load	[N]	--	3724	3724	3724	3724	3724	3724	3724	3724
Maximum Radial Load	[N]	--	3109	3109	3109	3109	3109	3109	3109	3109
Maximum Tilting Moment Load	[Nm]	--	284	284	284	284	284	284	284	284
Efficiency	[%]	--	82	74	74	74	74	74	74	74
Protection Class	--	*4	IP54 (IP65)							

*1) At nominal input speed

*2) Speeds are at the actuator input. Limits when used with additional gearbox are higher

*3) At input shaft

*4) IP65 (wash-down) is available as an option. Contact NIDEC-SHIMPO for more details and our food grade options

STR-100E – 2-Stage and 3-Stage Specifications with EVB-090

Frame Size	100E									
Stage			2-Stage	3-Stage						
Ratio	Units	Notes	200	300	320	400	500	560	600	700
Nominal Torque	[Nm]	*1	330	330	330	330	330	330	330	330
Acceleration Torque	[Nm]	--	565	565	565	565	565	565	565	565
No Load Torque	[Nm]	*1	1.3	0.7	0.7	0.7	0.7	0.7	0.7	0.7
Nominal Input Speed	[rpm]	*2	3000	3000	3000	3000	3000	3000	3000	3000
Maximum Input Speed	[rpm]	*2	6000	6000	6000	6000	6000	6000	6000	6000
Reflected Inertia	[kg-m ² x10 ⁻⁴]	*3	--	--	--	--	--	--	--	--
Reflected Inertia (≤Ø 8)	[kg-m ² x10 ⁻⁴]	*3	--	0.362	0.402	0.352	0.342	0.392	0.272	0.342
Reflected Inertia (≤Ø 14)	[kg-m ² x10 ⁻⁴]	*3	1.712	0.432	0.482	0.422	0.422	0.472	0.352	0.422
Reflected Inertia (≤Ø 19)	[kg-m ² x10 ⁻⁴]	*3	2.042	0.622	0.672	0.612	0.612	0.662	0.532	0.612
Reflected Inertia (≤Ø 28)	[kg-m ² x10 ⁻⁴]	*3	4.172	--	--	--	--	--	--	--
Backlash	[arc-min]	--	0	0	0	0	0	0	0	0
Angular Transmission Accuracy	[arc-min]	--	≤ 0.7	≤ 0.7						
Angular Repeatability Accuracy	[arc-min]	--	± 0.08	± 0.08						
Surface Runout	[µm (max)]	--	10	10	10	10	10	10	10	10
Weight	[kg]	--	26.6	25.9	25.9	25.9	25.9	25.9	25.9	25.9
Maximum Axial Load	[N]	--	3724	3724	3724	3724	3724	3724	3724	3724
Maximum Radial Load	[N]	--	3109	3109	3109	3109	3109	3109	3109	3109
Maximum Tilting Moment Load	[Nm]	--	284	284	284	284	284	284	284	284
Efficiency	[%]	--	74	70	70	70	70	70	70	70
Protection Class	--	*4	IP54 (IP65)							

*1) At nominal input speed

*2) Speeds are at the actuator input. Limits when used with additional gearbox are higher

*3) At input shaft

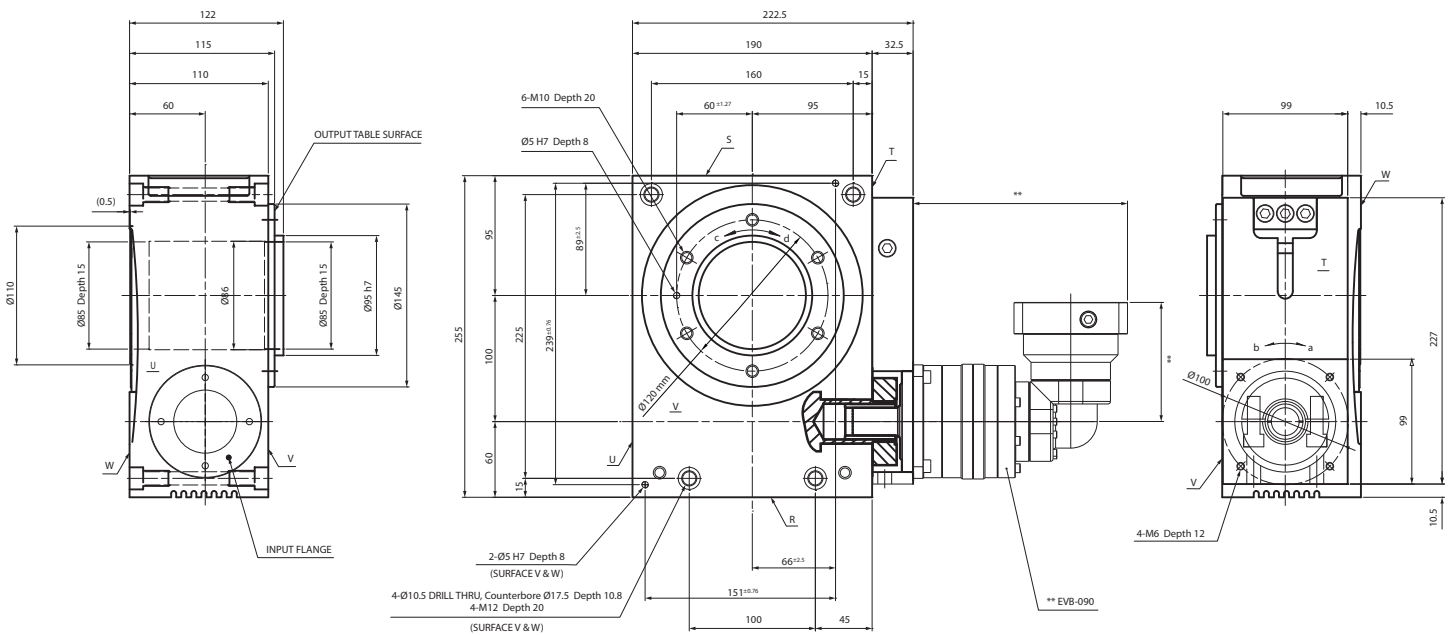
*4) IP65 (wash-down) is available as an option. Contact NIDEC-SHIMPO for more details and our food grade options

STR-100E – 3-Stage Specifications with EVB-090

Frame Size	100E									
Stage	3-Stage									
Ratio	Units	Notes	800	900	1000	1200	1400	1600	1800	2000
Nominal Torque	[Nm]	*1	330	330	330	330	330	330	330	330
Acceleration Torque	[Nm]	--	565	565	565	565	565	565	565	565
No Load Torque	[Nm]	*1	0.7	0.7	0.7	0.7	0.7	0.7	0.7	0.7
Nominal Input Speed	[rpm]	*2	3000	3000	3000	3000	3000	3000	3000	3000
Maximum Input Speed	[rpm]	*2	6000	6000	6000	6000	6000	6000	6000	6000
Reflected Inertia	[kg-m ² x10 ⁻⁴]	*3	--	--	--	--	--	--	--	--
Reflected Inertia (≤Ø 8)	[kg-m ² x10 ⁻⁴]	*3	0.272	0.342	0.272	0.272	0.272	0.272	0.272	0.272
Reflected Inertia (≤Ø 14)	[kg-m ² x10 ⁻⁴]	*3	0.342	0.412	0.342	0.342	0.342	0.342	0.342	0.342
Reflected Inertia (≤Ø 19)	[kg-m ² x10 ⁻⁴]	*3	0.532	0.602	0.532	0.532	0.532	0.532	0.532	0.532
Reflected Inertia (≤Ø 28)	[kg-m ² x10 ⁻⁴]	*3	--	--	--	--	--	--	--	--
Backlash	[arc-min]	--	0	0	0	0	0	0	0	0
Angular Transmission Accuracy	[arc-min]	--	≤ 0.7							
Angular Repeatability Accuracy	[arc-min]	--	± 0.08							
Surface Runout	[µm (max)]	--	10	10	10	10	10	10	10	10
Weight	[kg]	--	25.9	25.9	25.9	25.9	25.9	25.9	25.9	25.9
Maximum Axial Load	[N]	--	3724	3724	3724	3724	3724	3724	3724	3724
Maximum Radial Load	[N]	--	3109	3109	3109	3109	3109	3109	3109	3109
Maximum Tilting Moment Load	[Nm]	--	284	284	284	284	284	284	284	284
Efficiency	[%]	--	70	70	70	70	70	70	70	70
Protection Class	--	*4	IP54 (IP65)							

- *1) At nominal input speed
- *2) Speeds are at the actuator input. Limits when used with additional gearbox are higher
- *3) At input shaft
- *4) IP65 (wash-down) is available as an option. Contact NIDEC-SHIMPO for more details and our food grade options

STR-100 Dimensions with EVB-090



NOTE:

- ** Refer to page 296, for EVB-090 dimensions
- *** Optional

ROTATION:

- a=d
- a=c (upon special request)

Sold & Serviced By:

ELECTROMATE

Toll Free Phone (877) SERV098
 Toll Free Fax (877) SERV099
www.electromate.com
sales@electromate.com

STR

STR-125V – 1-Stage and 2-Stage Specifications with VRB-090

Frame Size	125V									
Stage			1-Stage	2-Stage						
Ratio	Units	Notes	20	60	80	100	120	140	160	180
Nominal Torque	[Nm]	*1	548	548	548	548	548	548	548	548
Acceleration Torque	[Nm]	--	939	939	939	939	939	939	939	939
No Load Torque	[Nm]	*1	3.8	0.4	0.4	0.4	0.4	0.4	0.4	0.4
Nominal Input Speed	[rpm]	*2	600	1800	2400	3000	3000	3000	3000	3000
Maximum Input Speed	[rpm]	*2	1600	4800	6000	6000	6000	6000	6000	6000
Reflected Inertia (Single)	[kg-m ² x10 ⁻⁴]	*3	14.85	--	--	--	--	--	--	--
Reflected Inertia (≤Ø 8)	[kg-m ² x10 ⁻⁴]	*3	--	--	--	--	--	--	--	--
Reflected Inertia (≤Ø 14)	[kg-m ² x10 ⁻⁴]	*3	--	0.757	0.527	0.437	0.397	0.357	0.347	0.327
Reflected Inertia (≤Ø 19)	[kg-m ² x10 ⁻⁴]	*3	--	1.237	0.987	0.897	0.857	0.827	0.807	0.797
Reflected Inertia (≤Ø 28)	[kg-m ² x10 ⁻⁴]	*3	--	3.237	3.037	2.937	2.837	2.837	2.837	2.837
Backlash	[arc-min]	--	0	0	0	0	0	0	0	0
Angular Transmission Accuracy	[arc-min]	--	≤ 0.7	≤ 0.7						
Angular Repeatability Accuracy	[arc-min]	--	± 0.08	± 0.08						
Surface Runout	[µm (max)]	--	10	10	10	10	10	10	10	10
Weight	[kg]	--	36.3	40.0	40.0	40.0	40.0	40.0	40.0	40.0
Maximum Axial Load	[N]	--	8178	8178	8178	8178	8178	8178	8178	8178
Maximum Radial Load	[N]	--	7452	7452	7452	7452	7452	7452	7452	7452
Maximum Tilting Moment Load	[Nm]	--	764	764	764	764	764	764	764	764
Efficiency	[%]	--	80	76	76	76	76	76	76	76
Protection Class	--	*4	IP54 (IP65)							

*1) At nominal input speed

*2) Speeds are at the actuator input. Limits when used with additional gearbox are higher

*3) At input shaft

*4) IP65 (wash-down) is available as an option. Contact NIDEC-SHIMPO for more details and our food grade options

STR-125V – 2-Stage and 3-Stage Specifications with VRB-090

Frame Size	125V									
Stage			2-Stage	3-Stage						
Ratio	Units	Notes	200	300	320	400	500	560	600	700
Nominal Torque	[Nm]	*1	548	548	548	548	548	548	548	548
Acceleration Torque	[Nm]	--	939	939	939	939	939	939	939	939
No Load Torque	[Nm]	*1	0.4	0.2	0.2	0.2	0.2	0.2	0.2	0.2
Nominal Input Speed	[rpm]	*2	3000	3000	3000	3000	3000	3000	3000	3000
Maximum Input Speed	[rpm]	*2	6000	6000	6000	6000	6000	6000	6000	6000
Reflected Inertia (Single)	[kg-m ² x10 ⁻⁴]	*3	--	--	--	--	--	--	--	--
Reflected Inertia (≤Ø 8)	[kg-m ² x10 ⁻⁴]	*3	--	0.167	0.187	0.167	0.157	0.177	0.137	0.157
Reflected Inertia (≤Ø 14)	[kg-m ² x10 ⁻⁴]	*3	0.327	0.317	0.337	0.317	0.317	0.327	0.287	0.307
Reflected Inertia (≤Ø 19)	[kg-m ² x10 ⁻⁴]	*3	0.787	0.757	0.777	0.757	0.747	0.767	0.737	0.747
Reflected Inertia (≤Ø 28)	[kg-m ² x10 ⁻⁴]	*3	2.837	2.737	2.837	2.737	2.737	2.737	2.637	2.737
Backlash	[arc-min]	--	0	0	0	0	0	0	0	0
Angular Transmission Accuracy	[arc-min]	--	≤ 0.7	≤ 0.7						
Angular Repeatability Accuracy	[arc-min]	--	± 0.08	± 0.08						
Surface Runout	[µm (max)]	--	10	10	10	10	10	10	10	10
Weight	[kg]	--	40.0	40.5	40.5	40.5	40.5	40.5	40.5	40.5
Maximum Axial Load	[N]	--	8178	8178	8178	8178	8178	8178	8178	8178
Maximum Radial Load	[N]	--	7452	7452	7452	7452	7452	7452	7452	7452
Maximum Tilting Moment Load	[Nm]	--	764	764	764	764	764	764	764	764
Efficiency	[%]	--	76	72	72	72	72	72	72	72
Protection Class	--	*4	IP54 (IP65)							

*1) At nominal input speed

*2) Speeds are at the actuator input. Limits when used with additional gearbox are higher

*3) At input shaft

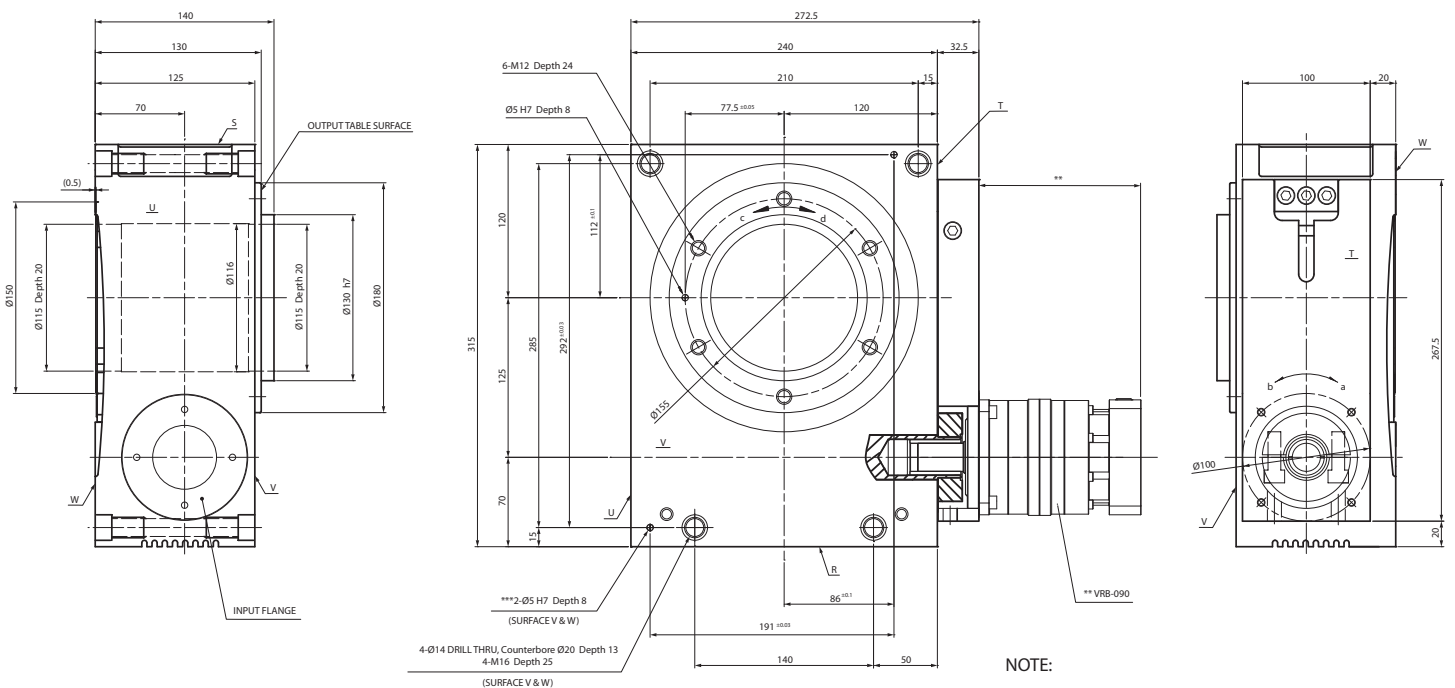
*4) IP65 (wash-down) is available as an option. Contact NIDEC-SHIMPO for more details and our food grade options

STR-125V – 3-Stage Specifications with VRB-090

Frame Size	125V									
Stage	3-Stage									
Ratio	Units	Notes	800	900	1000	1200	1400	1600	1800	2000
Nominal Torque	[Nm]	*1	548	548	548	548	548	548	548	548
Acceleration Torque	[Nm]	--	939	939	939	939	939	939	939	939
No Load Torque	[Nm]	*1	0.2	0.2	0.2	0.2	0.2	0.2	0.2	0.2
Nominal Input Speed	[rpm]	*2	3000	3000	3000	3000	3000	3000	3000	3000
Maximum Input Speed	[rpm]	*2	6000	6000	6000	6000	6000	6000	6000	6000
Reflected Inertia (Single)	[kg-m ² ×10 ⁻⁴]	*3	--	--	--	--	--	--	--	--
Reflected Inertia (≤Ø 8)	[kg-m ² ×10 ⁻⁴]	*3	0.136	0.157	0.135	0.135	0.134	0.134	0.134	0.134
Reflected Inertia (≤Ø 14)	[kg-m ² ×10 ⁻⁴]	*3	0.287	0.307	0.287	0.287	0.287	0.287	0.287	0.287
Reflected Inertia (≤Ø 19)	[kg-m ² ×10 ⁻⁴]	*3	0.737	0.747	0.727	0.727	0.727	0.727	0.727	0.727
Reflected Inertia (≤Ø 28)	[kg-m ² ×10 ⁻⁴]	*3	2.637	2.737	2.637	2.637	2.637	2.637	2.637	2.637
Backlash	[arc-min]	--	0	0	0	0	0	0	0	0
Angular Transmission Accuracy	[arc-min]	--	≤ 0.7							
Angular Repeatability Accuracy	[arc-min]	--	± 0.08							
Surface Runout	[µm (max)]	--	10	10	10	10	10	10	10	10
Weight	[kg]	--	40.5	40.5	40.5	40.5	40.5	40.5	40.5	40.5
Maximum Axial Load	[N]	--	8178	8178	8178	8178	8178	8178	8178	8178
Maximum Radial Load	[N]	--	7452	7452	7452	7452	7452	7452	7452	7452
Maximum Tilting Moment Load	[Nm]	--	764	764	764	764	764	764	764	764
Efficiency	[%]	--	72	72	72	72	72	72	72	72
Protection Class	--	*4	IP54 (IP65)							

- *1) At nominal input speed
- *2) Speeds are at the actuator input. Limits when used with additional gearbox are higher
- *3) At input shaft
- *4) IP65 (wash-down) is available as an option. Contact NIDEC-SHIMPO for more details and our food grade options

STR-125 Dimensions with VRB-090



NOTE:
 ** Refer to page 98, for VRB-090 dimensions
 *** Optional

ROTATION:
 a=d
 a=c (upon special request)

Sold & Serviced By:
ELECTROMATE
 Toll Free Phone (877) SERV098
 Toll Free Fax (877) SERV099
www.electromate.com
sales@electromate.com

STR

STR-125E – 1-Stage and 2-Stage Specifications with EVB-090

Frame Size	125E									
Stage			1-Stage	2-Stage						
Ratio	Units	Notes	20	60	80	100	120	140	160	180
Nominal Torque	[Nm]	*1	548	548	548	548	548	548	548	548
Acceleration Torque	[Nm]	--	939	939	939	939	939	939	939	939
No Load Torque	[Nm]	*1	3.8	1.3	1.3	1.3	1.3	1.3	1.3	1.3
Nominal Input Speed	[rpm]	*2	600	1800	2400	3000	3000	3000	3000	3000
Maximum Input Speed	[rpm]	*2	1600	4800	6000	6000	6000	6000	6000	6000
Reflected Inertia (Single)	[kg-m ² x10 ⁻⁴]	*3	14.85	--	--	--	--	--	--	--
Reflected Inertia (≤Ø 8)	[kg-m ² x10 ⁻⁴]	*3	--	--	--	--	--	--	--	--
Reflected Inertia (≤Ø 14)	[kg-m ² x10 ⁻⁴]	*3	--	2.147	1.927	1.837	1.797	1.767	1.747	1.737
Reflected Inertia (≤Ø 19)	[kg-m ² x10 ⁻⁴]	*3	--	2.477	2.257	2.167	2.127	2.097	2.077	2.067
Reflected Inertia (≤Ø 28)	[kg-m ² x10 ⁻⁴]	*3	--	4.607	4.387	4.297	4.247	4.217	4.207	4.197
Backlash	[arc-min]	--	0	0	0	0	0	0	0	0
Angular Transmission Accuracy	[arc-min]	--	≤ 0.7	≤ 0.7						
Angular Repeatability Accuracy	[arc-min]	--	± 0.08	± 0.08						
Surface Runout	[µm (max)]	--	10	10	10	10	10	10	10	10
Weight	[kg]	--	36.3	41.4	41.4	41.4	41.4	41.4	41.4	41.4
Maximum Axial Load	[N]	--	8178	8178	8178	8178	8178	8178	8178	8178
Maximum Radial Load	[N]	--	7452	7452	7452	7452	7452	7452	7452	7452
Maximum Tilting Moment Load	[Nm]	--	764	764	764	764	764	764	764	764
Efficiency	[%]	--	80	72	72	72	72	72	72	72
Protection Class	--	*4	IP54 (IP65)							

*1) At nominal input speed

*2) Speeds are at the actuator input. Limits when used with additional gearbox are higher

*3) At input shaft

*4) IP65 (wash-down) is available as an option. Contact NIDEC-SHIMPO for more details and our food grade options

STR-125E – 2-Stage and 3-Stage Specifications with EVB-090

Frame Size	125E									
Stage			2-Stage	3-Stage						
Ratio	Units	Notes	200	300	320	400	500	560	600	700
Nominal Torque	[Nm]	*1	548	548	548	548	548	548	548	548
Acceleration Torque	[Nm]	--	939	939	939	939	939	939	939	939
No Load Torque	[Nm]	*1	1.3	0.7	0.7	0.7	0.7	0.7	0.7	0.7
Nominal Input Speed	[rpm]	*2	3000	3000	3000	3000	3000	3000	3000	3000
Maximum Input Speed	[rpm]	*2	6000	6000	6000	6000	6000	6000	6000	6000
Reflected Inertia (Single)	[kg-m ² x10 ⁻⁴]	*3	--	--	--	--	--	--	--	--
Reflected Inertia (≤Ø 8)	[kg-m ² x10 ⁻⁴]	*3	--	0.377	0.417	0.367	0.357	0.407	0.287	0.357
Reflected Inertia (≤Ø 14)	[kg-m ² x10 ⁻⁴]	*3	1.727	0.447	0.497	0.437	0.437	0.487	0.367	0.437
Reflected Inertia (≤Ø 19)	[kg-m ² x10 ⁻⁴]	*3	2.057	0.637	0.687	0.627	0.627	0.677	0.547	0.627
Reflected Inertia (≤Ø 28)	[kg-m ² x10 ⁻⁴]	*3	4.187	--	--	--	--	--	--	--
Backlash	[arc-min]	--	0	0	0	0	0	0	0	0
Angular Transmission Accuracy	[arc-min]	--	≤ 0.7	≤ 0.7						
Angular Repeatability Accuracy	[arc-min]	--	± 0.08	± 0.08						
Surface Runout	[µm (max)]	--	10	10	10	10	10	10	10	10
Weight	[kg]	--	41.4	40.7	40.7	40.7	40.7	40.7	40.7	40.7
Maximum Axial Load	[N]	--	8178	8178	8178	8178	8178	8178	8178	8178
Maximum Radial Load	[N]	--	7452	7452	7452	7452	7452	7452	7452	7452
Maximum Tilting Moment Load	[Nm]	--	764	764	764	764	764	764	764	764
Efficiency	[%]	--	72	68	68	68	68	68	68	68
Protection Class	--	*4	IP54 (IP65)							

*1) At nominal input speed

*2) Speeds are at the actuator input. Limits when used with additional gearbox are higher

*3) At input shaft

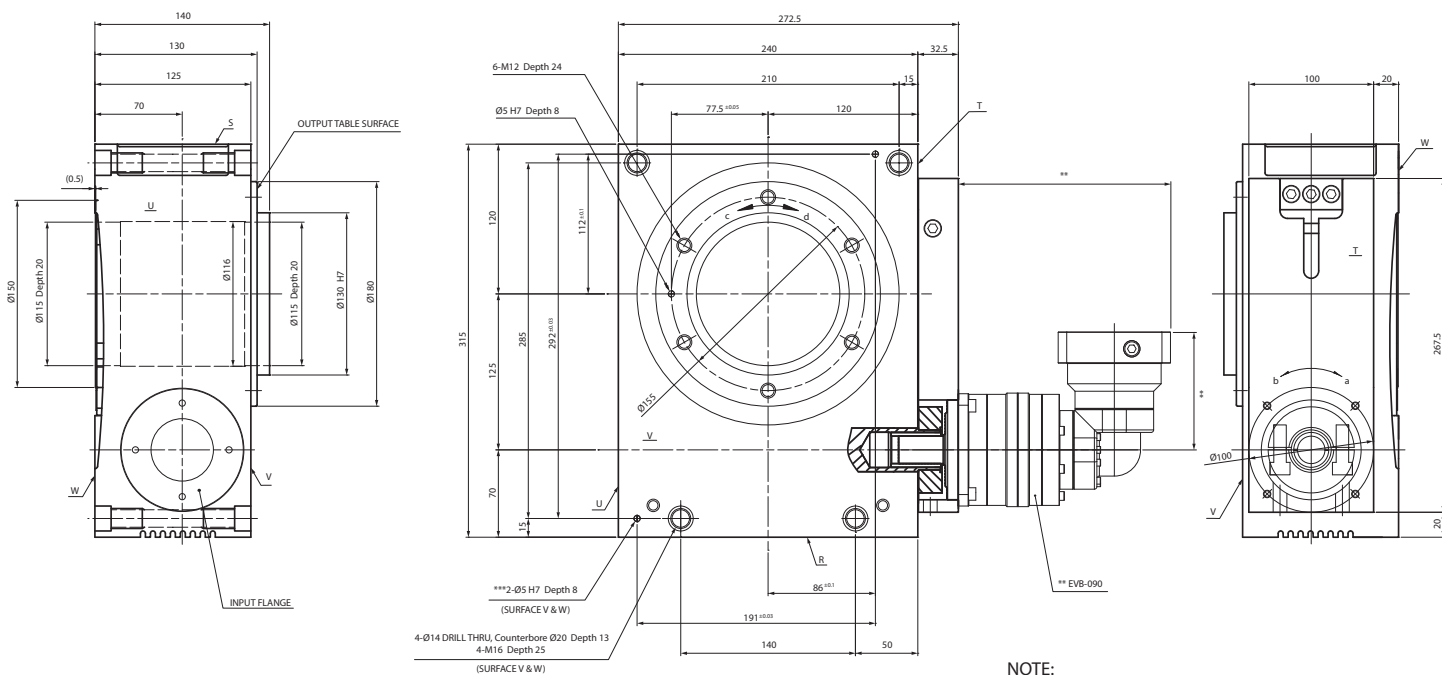
*4) IP65 (wash-down) is available as an option. Contact NIDEC-SHIMPO for more details and our food grade options

STR-125E – 3-Stage Specifications with EVB-090

Frame Size	125E									
Stage	3-Stage									
Ratio	Units	Notes	800	900	1000	1200	1400	1600	1800	2000
Nominal Torque	[Nm]	*1	548	548	548	548	548	548	548	548
Acceleration Torque	[Nm]	--	939	939	939	939	939	939	939	939
No Load Torque	[Nm]	*1	0.7	0.7	0.7	0.7	0.7	0.7	0.7	0.7
Nominal Input Speed	[rpm]	*2	3000	3000	3000	3000	3000	3000	3000	3000
Maximum Input Speed	[rpm]	*2	6000	6000	6000	6000	6000	6000	6000	6000
Reflected Inertia (Single)	[kg-m ² ×10 ⁻⁴]	*3	--	--	--	--	--	--	--	--
Reflected Inertia (≤Ø 8)	[kg-m ² ×10 ⁻⁴]	*3	0.287	0.357	0.287	0.287	0.287	0.287	0.287	0.287
Reflected Inertia (≤Ø 14)	[kg-m ² ×10 ⁻⁴]	*3	0.357	0.427	0.357	0.357	0.357	0.357	0.357	0.357
Reflected Inertia (≤Ø 19)	[kg-m ² ×10 ⁻⁴]	*3	0.547	0.617	0.547	0.547	0.547	0.547	0.547	0.547
Reflected Inertia (≤Ø 28)	[kg-m ² ×10 ⁻⁴]	*3	--	--	--	--	--	--	--	--
Backlash	[arc-min]	--	0	0	0	0	0	0	0	0
Angular Transmission Accuracy	[arc-min]	--	≤ 0.7							
Angular Repeatability Accuracy	[arc-min]	--	± 0.08							
Surface Runout	[µm (max)]	--	10	10	10	10	10	10	10	10
Weight	[kg]	--	40.7	40.7	40.7	40.7	40.7	40.7	40.7	40.7
Maximum Axial Load	[N]	--	8178	8178	8178	8178	8178	8178	8178	8178
Maximum Radial Load	[N]	--	7452	7452	7452	7452	7452	7452	7452	7452
Maximum Tilting Moment Load	[Nm]	--	764	764	764	764	764	764	764	764
Efficiency	[%]	--	68	68	68	68	68	68	68	68
Protection Class	--	*4	IP54 (IP65)							

- *1) At nominal input speed
- *2) Speeds are at the actuator input. Limits when used with additional gearbox are higher
- *3) At input shaft
- *4) IP65 (wash-down) is available as an option. Contact NIDEC-SHIMPO for more details and our food grade options

STR-125 Dimensions with EVB-090



NOTE:
 ** Refer to page 296, for EVB-090 dimensions
 *** Optional

ROTATION:
 a=d
 a=c (upon special request)

STR-160V – 1-Stage and 2-Stage Specifications with VRB-115

Frame Size	160V									
Stage			1-Stage	2-Stage						
Ratio	Units	Notes	20	60	80	100	120	140	160	180
Nominal Torque	[Nm]	*1	1165	1165	1165	1165	1165	1165	1165	1165
Acceleration Torque	[Nm]	--	1888	1888	1888	1888	1888	1888	1888	1888
No Load Torque	[Nm]	*1	6.6	1.1	1.1	1.1	1.1	1.1	1.1	1.1
Nominal Input Speed	[rpm]	*2	500	1500	2000	2500	3000	3000	3000	3000
Maximum Input Speed	[rpm]	*2	1000	3000	4000	5000	6000	6000	6000	6000
Reflected Inertia (Single)	[kg-m ² x10 ⁻⁴]	*3	46.99	--	--	--	--	--	--	--
Reflected Inertia (≤Ø 14)	[kg-m ² x10 ⁻⁴]	*3	--	--	--	--	--	--	--	--
Reflected Inertia (≤Ø 19)	[kg-m ² x10 ⁻⁴]	*3	--	3.417	2.117	1.717	1.417	1.217	1.117	1.097
Reflected Inertia (≤Ø 28)	[kg-m ² x10 ⁻⁴]	*3	--	5.417	4.217	3.717	3.417	3.317	3.217	3.117
Reflected Inertia (≤Ø 38)	[kg-m ² x10 ⁻⁴]	*3	--	13.12	12.12	11.12	11.12	11.12	11.12	11.12
Backlash	[arc-min]	--	0	0	0	0	0	0	0	0
Angular Transmission Accuracy	[arc-min]	--	≤ 1.5	≤ 1.5						
Angular Repeatability Accuracy	[arc-min]	--	± 0.15	± 0.15						
Surface Runout	[µm (max)]	--	20	20	20	20	20	20	20	20
Weight	[kg]	--	126	134	134	134	134	134	134	134
Maximum Axial Load	[N]	--	17170	17170	17170	17170	17170	17170	17170	17170
Maximum Radial Load	[N]	--	7283	7283	7283	7283	7283	7283	7283	7283
Maximum Tilting Moment Load	[Nm]	--	1216.3	1216.3	1216.3	1216.3	1216.3	1216.3	1216.3	1216.3
Efficiency	[%]	--	80	76	76	76	76	76	76	76
Protection Class	--	*4	IP54 (IP65)							

*1) At nominal input speed

*2) Speeds are at the actuator input. Limits when used with additional gearbox are higher

*3) At input shaft

*4) IP65 (wash-down) is available as an option. Contact NIDEC-SHIMPO for more details and our food grade options

STR-160V – 2-Stage and 3-Stage Specifications with VRB-115

Frame Size	160V									
Stage			2-Stage	3-Stage						
Ratio	Units	Notes	200	300	320	400	500	560	600	700
Nominal Torque	[Nm]	*1	1165	1165	1165	1165	1165	1165	1165	1165
Acceleration Torque	[Nm]	--	1888	1888	1888	1888	1888	1888	1888	1888
No Load Torque	[Nm]	*1	1.1	0.5	0.5	0.5	0.5	0.5	0.5	0.5
Nominal Input Speed	[rpm]	*2	3000	3000	3000	3000	3000	3000	3000	3000
Maximum Input Speed	[rpm]	*2	6000	6000	6000	6000	6000	6000	6000	6000
Reflected Inertia (Single)	[kg-m ² x10 ⁻⁴]	*3	--	--	--	--	--	--	--	--
Reflected Inertia (≤Ø 14)	[kg-m ² x10 ⁻⁴]	*3	--	0.547	0.597	0.517	0.497	0.557	0.407	0.487
Reflected Inertia (≤Ø 19)	[kg-m ² x10 ⁻⁴]	*3	1.097	0.977	1.037	0.947	0.937	0.997	0.857	0.927
Reflected Inertia (≤Ø 28)	[kg-m ² x10 ⁻⁴]	*3	3.117	2.917	3.017	2.917	2.917	2.917	2.817	2.817
Reflected Inertia (≤Ø 38)	[kg-m ² x10 ⁻⁴]	*3	11.12	11.12	11.12	11.12	11.12	11.12	10.12	11.12
Backlash	[arc-min]	--	0	0	0	0	0	0	0	0
Angular Transmission Accuracy	[arc-min]	--	≤ 1.5	≤ 1.5						
Angular Repeatability Accuracy	[arc-min]	--	± 0.15	± 0.15						
Surface Runout	[µm (max)]	--	20	20	20	20	20	20	20	20
Weight	[kg]	--	134	135	135	135	135	135	135	135
Maximum Axial Load	[N]	--	17170	17170	17170	17170	17170	17170	17170	17170
Maximum Radial Load	[N]	--	7283	7283	7283	7283	7283	7283	7283	7283
Maximum Tilting Moment Load	[Nm]	--	1216.3	1216.3	1216.3	1216.3	1216.3	1216.3	1216.3	1216.3
Efficiency	[%]	--	76	72	72	72	72	72	72	72
Protection Class	--	*4	IP54 (IP65)							

*1) At nominal input speed

*2) Speeds are at the actuator input. Limits when used with additional gearbox are higher

*3) At input shaft

*4) IP65 (wash-down) is available as an option. Contact NIDEC-SHIMPO for more details and our food grade options

Sold & Serviced By:

ELECTROMATE

Toll Free Phone (877) SERV098

Toll Free Fax (877) SERV099

www.electromate.com

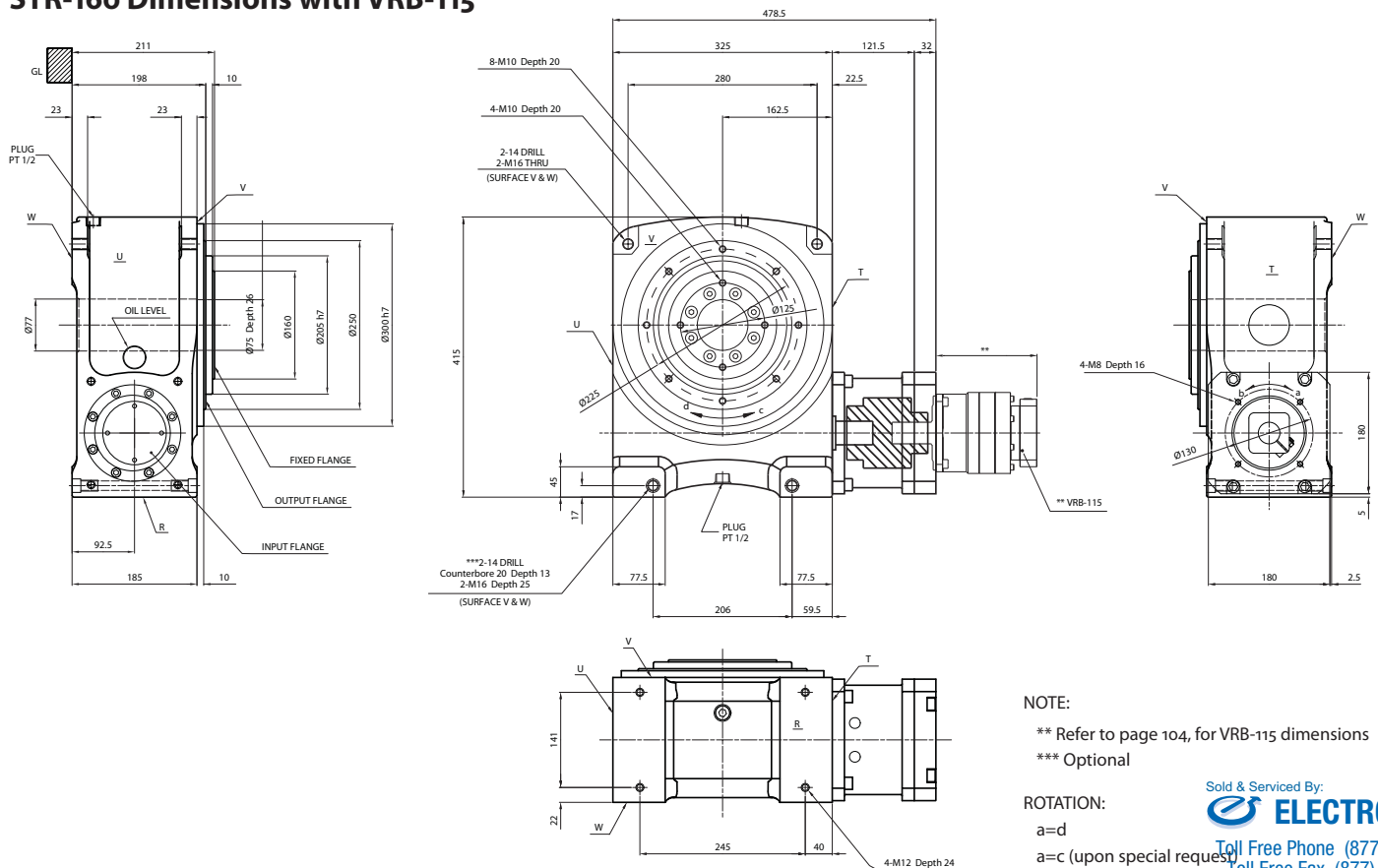
sales@electromate.com

STR-160V – 3-Stage Specifications with VRB-115

Frame Size	160V									
Stage	3-Stage									
Ratio	Units	Notes	800	900	1000	1200	1400	1600	1800	2000
Nominal Torque	[Nm]	*1	1165	1165	1165	1165	1165	1165	1165	1165
Acceleration Torque	[Nm]	--	1888	1888	1888	1888	1888	1888	1888	1888
No Load Torque	[Nm]	*1	0.5	0.5	0.5	0.5	0.5	0.5	0.5	0.5
Nominal Input Speed	[rpm]	*2	3000	3000	3000	3000	3000	3000	3000	3000
Maximum Input Speed	[rpm]	*2	6000	6000	6000	6000	6000	6000	6000	6000
Reflected Inertia (Single)	[kg-m ² x10 ⁻⁴]	*3	--	--	--	--	--	--	--	--
Reflected Inertia (≤Ø 14)	[kg-m ² x10 ⁻⁴]	*3	0.397	0.487	0.397	0.397	0.397	0.397	0.387	0.387
Reflected Inertia (≤Ø 19)	[kg-m ² x10 ⁻⁴]	*3	0.847	0.917	0.847	0.847	0.847	0.847	0.847	0.847
Reflected Inertia (≤Ø 28)	[kg-m ² x10 ⁻⁴]	*3	2.817	2.817	2.817	2.817	2.817	2.817	2.817	2.817
Reflected Inertia (≤Ø 38)	[kg-m ² x10 ⁻⁴]	*3	10.12	11.12	10.12	10.12	10.12	10.12	10.12	10.12
Backlash	[arc-min]	--	0	0	0	0	0	0	0	0
Angular Transmission Accuracy	[arc-min]	--	≤ 1.5							
Angular Repeatability Accuracy	[arc-min]	--	± 0.15							
Surface Runout	[µm (max)]	--	20	20	20	20	20	20	20	20
Weight	[kg]	--	135	135	135	135	135	135	135	135
Maximum Axial Load	[N]	--	17170	17170	17170	17170	17170	17170	17170	17170
Maximum Radial Load	[N]	--	7283	7283	7283	7283	7283	7283	7283	7283
Maximum Tilting Moment Load	[Nm]	--	1216.3	1216.3	1216.3	1216.3	1216.3	1216.3	1216.3	1216.3
Efficiency	[%]	--	72	72	72	72	72	72	72	72
Protection Class	--	*4	IP54 (IP65)							

- *1) At nominal input speed
- *2) Speeds are at the actuator input. Limits when used with additional gearbox are higher
- *3) At input shaft
- *4) IP65 (wash-down) is available as an option. Contact NIDEC-SHIMPO for more details and our food grade options

STR-160 Dimensions with VRB-115



STR-160E – 1-Stage and 2-Stage Specifications with EVB-115

Frame Size	160E									
Stage			1-Stage	2-Stage						
Ratio	Units	Notes	20	60	80	100	120	140	160	180
Nominal Torque	[Nm]	*1	1165	1165	1165	1165	1165	1165	1165	1165
Acceleration Torque	[Nm]	--	1888	1888	1888	1888	1888	1888	1888	1888
No Load Torque	[Nm]	*1	6.6	2.2	2.2	2.2	2.2	2.2	2.2	2.2
Nominal Input Speed	[rpm]	*2	500	1500	2000	2500	3000	3000	3000	3000
Maximum Input Speed	[rpm]	*2	1000	3000	4000	5000	6000	6000	6000	6000
Reflected Inertia (Single)	[kg-m ² x10 ⁻⁴]	*3	46.99	--	--	--	--	--	--	--
Reflected Inertia (≤Ø 14)	[kg-m ² x10 ⁻⁴]	*3	--	--	--	--	--	--	--	--
Reflected Inertia (≤Ø 19)	[kg-m ² x10 ⁻⁴]	*3	--	6.857	5.607	5.137	4.887	4.767	4.667	4.607
Reflected Inertia (≤Ø 28)	[kg-m ² x10 ⁻⁴]	*3	--	8.457	7.197	6.727	6.477	6.357	6.257	6.197
Reflected Inertia (≤Ø 38)	[kg-m ² x10 ⁻⁴]	*3	--	15.53	14.27	13.81	13.55	13.43	13.34	13.28
Backlash	[arc-min]	--	0	0	0	0	0	0	0	0
Angular Transmission Accuracy	[arc-min]	--	≤ 1.5	≤ 1.5						
Angular Repeatability Accuracy	[arc-min]	--	± 0.15	± 0.15						
Surface Runout	[µm (max)]	--	20	20	20	20	20	20	20	20
Weight	[kg]	--	126	137	137	137	137	137	137	137
Maximum Axial Load	[N]	--	17170	17170	17170	17170	17170	17170	17170	17170
Maximum Radial Load	[N]	--	7283	7283	7283	7283	7283	7283	7283	7283
Maximum Tilting Moment Load	[Nm]	--	1216.3	1216.3	1216.3	1216.3	1216.3	1216.3	1216.3	1216.3
Efficiency	[%]	--	80	72	72	72	72	72	72	72
Protection Class	--	*4	IP54 (IP65)							

*1) At nominal input speed

*2) Speeds are at the actuator input. Limits when used with additional gearbox are higher

*3) At input shaft

*4) IP65 (wash-down) is available as an option. Contact NIDEC-SHIMPO for more details and our food grade options

STR-160E – 2-Stage and 3-Stage Specifications with EVB-115

Frame Size	160E									
Stage			2-Stage	3-Stage						
Ratio	Units	Notes	200	300	320	400	500	560	600	700
Nominal Torque	[Nm]	*1	1165	1165	1165	1165	1165	1165	1165	1165
Acceleration Torque	[Nm]	--	1888	1888	1888	1888	1888	1888	1888	1888
No Load Torque	[Nm]	*1	2.2	1.4	1.4	1.4	1.4	1.4	1.4	1.4
Nominal Input Speed	[rpm]	*2	3000	3000	3000	3000	3000	3000	3000	3000
Maximum Input Speed	[rpm]	*2	6000	6000	6000	6000	6000	6000	6000	6000
Reflected Inertia (Single)	[kg-m ² x10 ⁻⁴]	*3	--	--	--	--	--	--	--	--
Reflected Inertia (≤Ø 14)	[kg-m ² x10 ⁻⁴]	*3	--	2.367	2.577	2.317	2.297	2.517	1.987	2.277
Reflected Inertia (≤Ø 19)	[kg-m ² x10 ⁻⁴]	*3	4.577	2.697	2.907	2.647	2.627	2.847	2.317	2.607
Reflected Inertia (≤Ø 28)	[kg-m ² x10 ⁻⁴]	*3	6.167	4.817	5.027	4.767	4.757	4.977	4.447	4.737
Reflected Inertia (≤Ø 38)	[kg-m ² x10 ⁻⁴]	*3	13.24	--	--	--	--	--	--	--
Backlash	[arc-min]	--	0	0	0	0	0	0	0	0
Angular Transmission Accuracy	[arc-min]	--	≤ 1.5	≤ 1.5						
Angular Repeatability Accuracy	[arc-min]	--	± 0.15	± 0.15						
Surface Runout	[µm (max)]	--	20	20	20	20	20	20	20	20
Weight	[kg]	--	137	136	136	136	136	136	136	136
Maximum Axial Load	[N]	--	17170	17170	17170	17170	17170	17170	17170	17170
Maximum Radial Load	[N]	--	7283	7283	7283	7283	7283	7283	7283	7283
Maximum Tilting Moment Load	[Nm]	--	1216.3	1216.3	1216.3	1216.3	1216.3	1216.3	1216.3	1216.3
Efficiency	[%]	--	72	68	68	68	68	68	68	68
Protection Class	--	*4	IP54 (IP65)							

*1) At nominal input speed

*2) Speeds are at the actuator input. Limits when used with additional gearbox are higher

*3) At input shaft

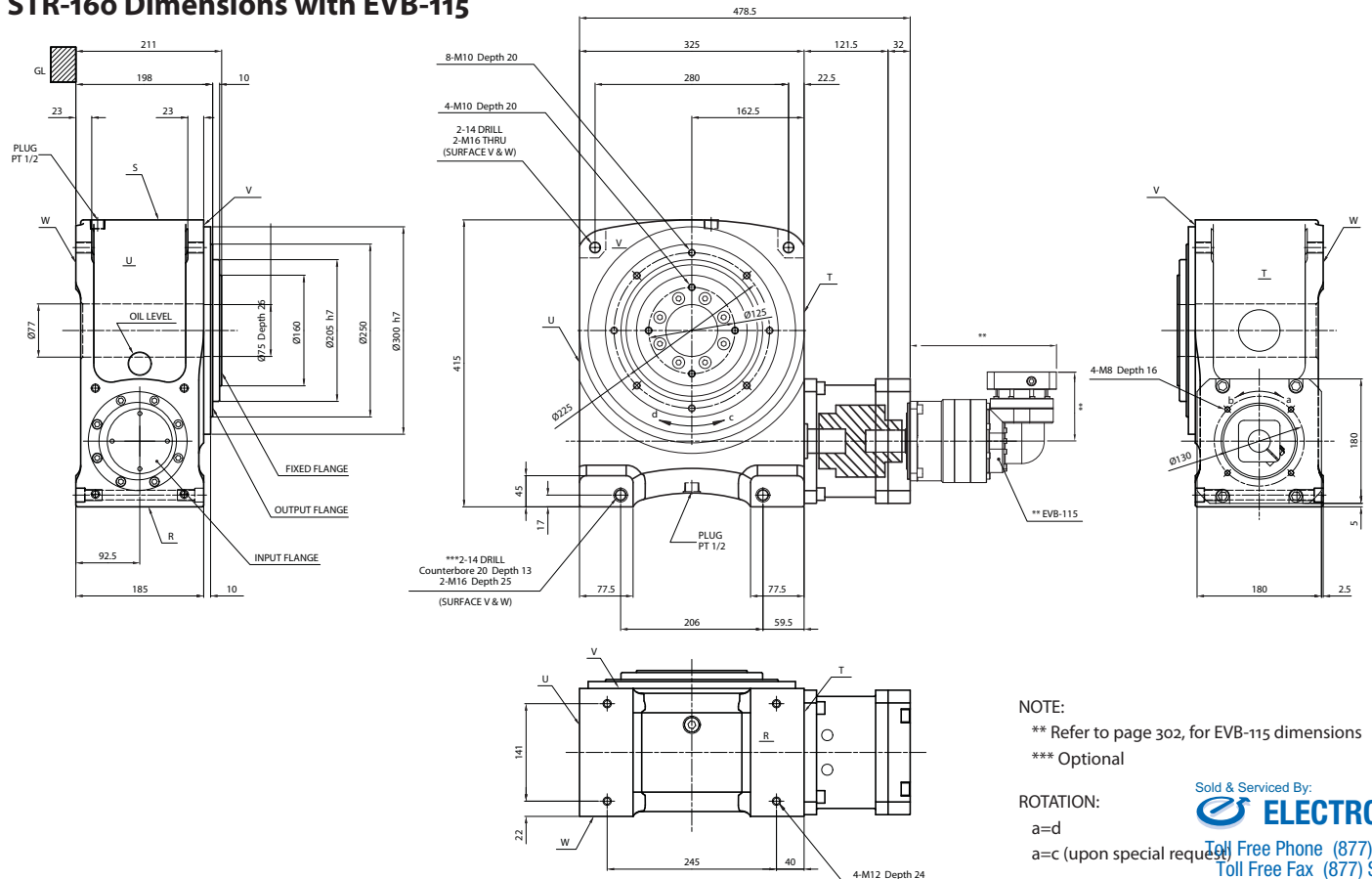
*4) IP65 (wash-down) is available as an option. Contact NIDEC-SHIMPO for more details and our food grade options

STR-160E – 3-Stage Specifications with EVB-115

Frame Size	160E									
Stage	3-Stage									
Ratio	Units	Notes	800	900	1000	1200	1400	1600	1800	2000
Nominal Torque	[Nm]	*1	1165	1165	1165	1165	1165	1165	1165	1165
Acceleration Torque	[Nm]	--	1888	1888	1888	1888	1888	1888	1888	1888
No Load Torque	[Nm]	*1	1.4	1.4	1.4	1.4	1.4	1.4	1.4	1.4
Nominal Input Speed	[rpm]	*2	3000	3000	3000	3000	3000	3000	3000	3000
Maximum Input Speed	[rpm]	*2	6000	6000	6000	6000	6000	6000	6000	6000
Reflected Inertia (Single)	[kg-m ² ×10 ⁻⁴]	*3	--	--	--	--	--	--	--	--
Reflected Inertia (≤Ø 14)	[kg-m ² ×10 ⁻⁴]	*3	1.977	2.267	1.977	1.967	1.967	1.967	1.967	1.967
Reflected Inertia (≤Ø 19)	[kg-m ² ×10 ⁻⁴]	*3	2.307	2.597	2.307	2.297	2.297	2.297	2.297	2.297
Reflected Inertia (≤Ø 28)	[kg-m ² ×10 ⁻⁴]	*3	4.437	4.727	4.427	4.427	4.427	4.427	4.427	4.427
Reflected Inertia (≤Ø 38)	[kg-m ² ×10 ⁻⁴]	*3	--	--	--	--	--	--	--	--
Backlash	[arc-min]	--	0	0	0	0	0	0	0	0
Angular Transmission Accuracy	[arc-min]	--	≤ 1.5							
Angular Repeatability Accuracy	[arc-min]	--	± 0.15							
Surface Runout	[µm (max)]	--	20	20	20	20	20	20	20	20
Weight	[kg]	--	136	136	136	136	136	136	136	136
Maximum Axial Load	[N]	--	17170	17170	17170	17170	17170	17170	17170	17170
Maximum Radial Load	[N]	--	7283	7283	7283	7283	7283	7283	7283	7283
Maximum Tilting Moment Load	[Nm]	--	1216.3	1216.3	1216.3	1216.3	1216.3	1216.3	1216.3	1216.3
Efficiency	[%]	--	68	68	68	68	68	68	68	68
Protection Class	--	*4	IP54 (IP65)							

- *1) At nominal input speed
- *2) Speeds are at the actuator input. Limits when used with additional gearbox are higher
- *3) At input shaft
- *4) IP65 (wash-down) is available as an option. Contact NIDEC-SHIMPO for more details and our food grade options

STR-160 Dimensions with EVB-115



NOTE:
 ** Refer to page 302, for EVB-115 dimensions
 *** Optional

ROTATION:
 a=d
 a=c (upon special request)

Sold & Serviced By:
ELECTROMATE
 Toll Free Phone (877) SERV098
 Toll Free Fax (877) SERV099
 www.electromate.com
 sales@electromate.com

STR

STR-250V – 1-Stage and 2-Stage Specifications with VRB-180

Frame Size	250V									
Stage			1-Stage	2-Stage						
Ratio	Units	Notes	20	60	80	100	120	140	160	180
Nominal Torque	[Nm]	*1	4006	4006	4006	4006	4006	4006	4006	4006
Acceleration Torque	[Nm]	--	6072	6072	6072	6072	6072	6072	6072	6072
No Load Torque	[Nm]	*1	14.5	2.6	2.6	2.6	2.6	2.6	2.6	2.6
Nominal Input Speed	[rpm]	*2	400	1500	1500	1500	1500	1500	1500	1500
Maximum Input Speed	[rpm]	*2	800	3000	3000	3000	3000	3000	3000	3000
Reflected Inertia (Single)	[kg-m ² x10 ⁻⁴]	*3	430.0	--	--	--	--	--	--	--
Reflected Inertia (≤Ø 28)	[kg-m ² x10 ⁻⁴]	*3	--	--	--	--	--	--	--	--
Reflected Inertia (≤Ø 38)	[kg-m ² x10 ⁻⁴]	*3	--	45.08	29.08	23.08	19.08	17.08	16.08	15.08
Reflected Inertia (≤Ø 48)	[kg-m ² x10 ⁻⁴]	*3	--	67.08	51.08	45.08	42.08	39.08	38.08	37.08
Reflected Inertia (≤Ø 65)	[kg-m ² x10 ⁻⁴]	*3	--	131.1	111.1	101.1	101.1	100.1	98.08	98.08
Backlash	[arc-min]	--	0	0	0	0	0	0	0	0
Angular Transmission Accuracy	[arc-min]	--	≤ 1.5	≤ 1.5						
Angular Repeatability Accuracy	[arc-min]	--	± 0.15	± 0.15						
Surface Runout	[µm (max)]	--	20	20	20	20	20	20	20	20
Weight	[kg]	--	383	419	419	419	419	419	419	419
Maximum Axial Load	[N]	--	38051	38051	38051	38051	38051	38051	38051	38051
Maximum Radial Load	[N]	--	11165	11165	11165	11165	11165	11165	11165	11165
Maximum Tilting Moment Load	[Nm]	--	2478.6	2478.6	2478.6	2478.6	2478.6	2478.6	2478.6	2478.6
Efficiency	[%]	--	80	76	76	76	76	76	76	76
Protection Class	--	*4	IP54 (IP65)							

*1) At nominal input speed

*2) Speeds are at the actuator input. Limits when used with additional gearbox are higher

*3) At input shaft

*4) IP65 (wash-down) is available as an option. Contact NIDEC-SHIMPO for more details and our food grade options

STR-250V – 2-Stage and 3-Stage Specifications with VRB-180

Frame Size	250V									
Stage			2-Stage	3-Stage						
Ratio	Units	Notes	200	300	320	400	500	560	600	700
Nominal Torque	[Nm]	*1	4006	4006	4006	4006	4006	4006	4006	4006
Acceleration Torque	[Nm]	--	6072	6072	6072	6072	6072	6072	6072	6072
No Load Torque	[Nm]	*1	2.6	2.0	2.0	2.0	2.0	2.0	2.0	2.0
Nominal Input Speed	[rpm]	*2	1500	1500	1500	1500	1500	1500	1500	1500
Maximum Input Speed	[rpm]	*2	3000	3000	3000	3000	3000	3000	3000	3000
Reflected Inertia (Single)	[kg-m ² x10 ⁻⁴]	*3	--	--	--	--	--	--	--	--
Reflected Inertia (≤Ø 28)	[kg-m ² x10 ⁻⁴]	*3	--	5.775	6.475	5.475	5.275	5.975	4.275	5.175
Reflected Inertia (≤Ø 38)	[kg-m ² x10 ⁻⁴]	*3	15.08	13.08	14.08	13.08	13.08	14.08	12.08	13.08
Reflected Inertia (≤Ø 48)	[kg-m ² x10 ⁻⁴]	*3	37.08	35.08	36.08	35.08	35.08	36.08	34.08	35.08
Reflected Inertia (≤Ø 65)	[kg-m ² x10 ⁻⁴]	*3	97.08	--	--	--	--	--	--	--
Backlash	[arc-min]	--	0	0	0	0	0	0	0	0
Angular Transmission Accuracy	[arc-min]	--	≤ 1.5	≤ 1.5						
Angular Repeatability Accuracy	[arc-min]	--	± 0.15	± 0.15						
Surface Runout	[µm (max)]	--	20	20	20	20	20	20	20	20
Weight	[kg]	--	419	420	420	420	420	420	420	420
Maximum Axial Load	[N]	--	38051	38051	38051	38051	38051	38051	38051	38051
Maximum Radial Load	[N]	--	11165	11165	11165	11165	11165	11165	11165	11165
Maximum Tilting Moment Load	[Nm]	--	2478.6	2478.6	2478.6	2478.6	2478.6	2478.6	2478.6	2478.6
Efficiency	[%]	--	76	72	72	72	72	72	72	72
Protection Class	--	*4	IP54 (IP65)							

*1) At nominal input speed

*2) Speeds are at the actuator input. Limits when used with additional gearbox are higher

*3) At input shaft

*4) IP65 (wash-down) is available as an option. Contact NIDEC-SHIMPO for more details and our food grade options

Sold & Serviced By: 

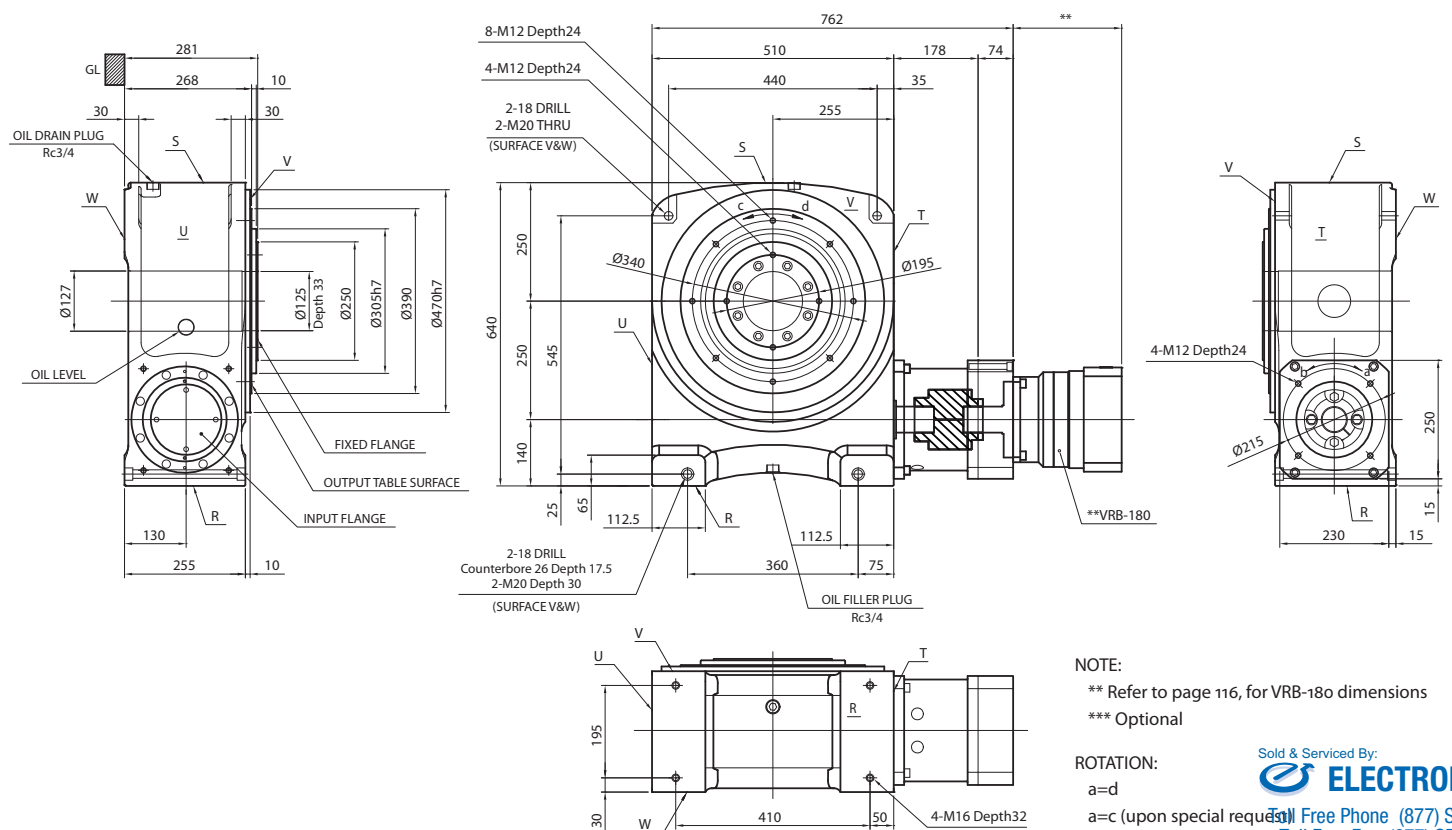
Toll Free Phone (877) SERV098
Toll Free Fax (877) SERV099
www.electromate.com
sales@electromate.com

STR-250V – 3-Stage Specifications with VRB-180

Frame Size	250V									
Stage	3-Stage									
Ratio	Units	Notes	800	900	1000	1200	1400	1600	1800	2000
Nominal Torque	[Nm]	*1	4006	4006	4006	4006	4006	4006	4006	4006
Acceleration Torque	[Nm]	--	6072	6072	6072	6072	6072	6072	6072	6072
No Load Torque	[Nm]	*1	2.0	2.0	2.0	2.0	2.0	2.0	2.0	2.0
Nominal Input Speed	[rpm]	*2	1500	1500	1500	1500	1500	1500	1500	1500
Maximum Input Speed	[rpm]	*2	3000	3000	3000	3000	3000	3000	3000	3000
Reflected Inertia (Single)	[kg-m ² x10 ⁻⁴]	*3	--	--	--	--	--	--	--	--
Reflected Inertia (≤Ø 28)	[kg-m ² x10 ⁻⁴]	*3	4.275	5.075	4.175	4.175	4.175	4.175	4.175	4.175
Reflected Inertia (≤Ø 38)	[kg-m ² x10 ⁻⁴]	*3	12.08	13.08	12.08	12.08	12.08	12.08	12.08	12.08
Reflected Inertia (≤Ø 48)	[kg-m ² x10 ⁻⁴]	*3	34.08	35.08	34.08	34.08	34.08	34.08	34.08	34.08
Reflected Inertia (≤Ø 65)	[kg-m ² x10 ⁻⁴]	*3	--	--	--	--	--	--	--	--
Backlash	[arc-min]	--	0	0	0	0	0	0	0	0
Angular Transmission Accuracy	[arc-min]	--	≤ 1.5							
Angular Repeatability Accuracy	[arc-min]	--	± 0.15							
Surface Runout	[µm (max)]	--	20	20	20	20	20	20	20	20
Weight	[kg]	--	420	420	420	420	420	420	420	420
Maximum Axial Load	[N]	--	38051	38051	38051	38051	38051	38051	38051	38051
Maximum Radial Load	[N]	--	11165	11165	11165	11165	11165	11165	11165	11165
Maximum Tilting Moment Load	[Nm]	--	2478.6	2478.6	2478.6	2478.6	2478.6	2478.6	2478.6	2478.6
Efficiency	[%]	--	72	72	72	72	72	72	72	72
Protection Class	--	*4	IP54 (IP65)							

- *1) At nominal input speed
- *2) Speeds are at the actuator input. Limits when used with additional gearbox are higher
- *3) At input shaft
- *4) IP65 (wash-down) is available as an option. Contact NIDEC-SHIMPO for more details and our food grade options

STR-250 Dimensions with VRB-180



NOTE:
 ** Refer to page 116, for VRB-180 dimensions
 *** Optional

ROTATION:
 a=d
 a=c (upon special request)

Sold & Serviced By:
ELECTROMATE
 Toll Free Phone (877) SERV098
 Toll Free Fax (877) SERV099
 www.electromate.com
 sales@electromate.com

STR

STR-250E – 1-Stage and 2-Stage Specifications with EVB-180

Frame Size	250E									
Stage			1-Stage	2-Stage						
Ratio	Units	Notes	20	60	80	100	120	140	160	180
Nominal Torque	[Nm]	*1	4006	4006	4006	4006	4006	4006	4006	4006
Acceleration Torque	[Nm]	--	6072	6072	6072	6072	6072	6072	6072	6072
No Load Torque	[Nm]	*1	14.5	11.5	11.5	11.5	11.5	11.5	11.5	11.5
Nominal Input Speed	[rpm]	*2	400	1500	1500	1500	1500	1500	1500	1500
Maximum Input Speed	[rpm]	*2	800	3000	3000	3000	3000	3000	3000	3000
Reflected Inertia (Single)	[kg-m ² x10 ⁻⁴]	*3	430.041	--	--	--	--	--	--	--
Reflected Inertia (≤Ø 14)	[kg-m ² x10 ⁻⁴]	*3	--	--	--	--	--	--	--	--
Reflected Inertia (≤Ø 19)	[kg-m ² x10 ⁻⁴]	*3	--	94.785	78.795	72.965	69.815	67.505	66.345	65.675
Reflected Inertia (≤Ø 28)	[kg-m ² x10 ⁻⁴]	*3	--	129.675	113.675	107.875	104.675	102.375	101.175	100.535
Reflected Inertia (≤Ø 38)	[kg-m ² x10 ⁻⁴]	*3	--	215.275	199.275	193.475	190.275	187.975	186.775	186.175
Backlash	[arc-min]	--	0	0	0	0	0	0	0	0
Angular Transmission Accuracy	[arc-min]	--	≤ 1.5	≤ 1.5						
Angular Repeatability Accuracy	[arc-min]	--	± 0.15	± 0.15						
Surface Runout	[µm (max)]	--	20	20	20	20	20	20	20	20
Weight	[kg]	--	383	432	432	432	432	432	432	432
Maximum Axial Load	[N]	--	38051	38051	38051	38051	38051	38051	38051	38051
Maximum Radial Load	[N]	--	11165	11165	11165	11165	11165	11165	11165	11165
Maximum Tilting Moment Load	[Nm]	--	2478.6	2478.6	2478.6	2478.6	2478.6	2478.6	2478.6	2478.6
Efficiency	[%]	--	80	72	72	72	72	72	72	72
Protection Class	--	*4	IP54 (IP65)							

*1) At nominal input speed

*2) Speeds are at the actuator input. Limits when used with additional gearbox are higher

*3) At input shaft

*4) IP65 (wash-down) is available as an option. Contact NIDEC-SHIMPO for more details and our food grade options

STR-250E – 2-Stage and 3-Stage Specifications with EVB-180

Frame Size	250E									
Stage			2-Stage	3-Stage						
Ratio	Units	Notes	200	300	320	400	500	560	600	700
Nominal Torque	[Nm]	*1	4006	4006	4006	4006	4006	4006	4006	4006
Acceleration Torque	[Nm]	--	6072	6072	6072	6072	6072	6072	6072	6072
No Load Torque	[Nm]	*1	11.5	5.4	5.4	5.4	5.4	5.4	5.4	5.4
Nominal Input Speed	[rpm]	*2	1500	1500	1500	1500	1500	1500	1500	1500
Maximum Input Speed	[rpm]	*2	3000	3000	3000	3000	3000	3000	3000	3000
Reflected Inertia (Single)	[kg-m ² x10 ⁻⁴]	*3	--	--	--	--	--	--	--	--
Reflected Inertia (≤Ø 14)	[kg-m ² x10 ⁻⁴]	*3	--	12.565	13.165	12.225	12.055	12.665	11.405	11.905
Reflected Inertia (≤Ø 19)	[kg-m ² x10 ⁻⁴]	*3	65.355	21.355	21.955	21.015	20.845	21.455	20.185	20.695
Reflected Inertia (≤Ø 28)	[kg-m ² x10 ⁻⁴]	*3	100.215	26.175	26.775	25.835	25.665	26.275	25.015	25.515
Reflected Inertia (≤Ø 38)	[kg-m ² x10 ⁻⁴]	*3	185.775	--	--	--	--	--	--	--
Backlash	[arc-min]	--	0	0	0	0	0	0	0	0
Angular Transmission Accuracy	[arc-min]	--	≤ 1.5	≤ 1.5						
Angular Repeatability Accuracy	[arc-min]	--	± 0.15	± 0.15						
Surface Runout	[µm (max)]	--	20	20	20	20	20	20	20	20
Weight	[kg]	--	432	419	419	419	419	419	419	419
Maximum Axial Load	[N]	--	38051	38051	38051	38051	38051	38051	38051	38051
Maximum Radial Load	[N]	--	11165	11165	11165	11165	11165	11165	11165	11165
Maximum Tilting Moment Load	[Nm]	--	2478.6	2478.6	2478.6	2478.6	2478.6	2478.6	2478.6	2478.6
Efficiency	[%]	--	72	68	68	68	68	68	68	68
Protection Class	--	*4	IP54 (IP65)							

*1) At nominal input speed

*2) Speeds are at the actuator input. Limits when used with additional gearbox are higher

*3) At input shaft

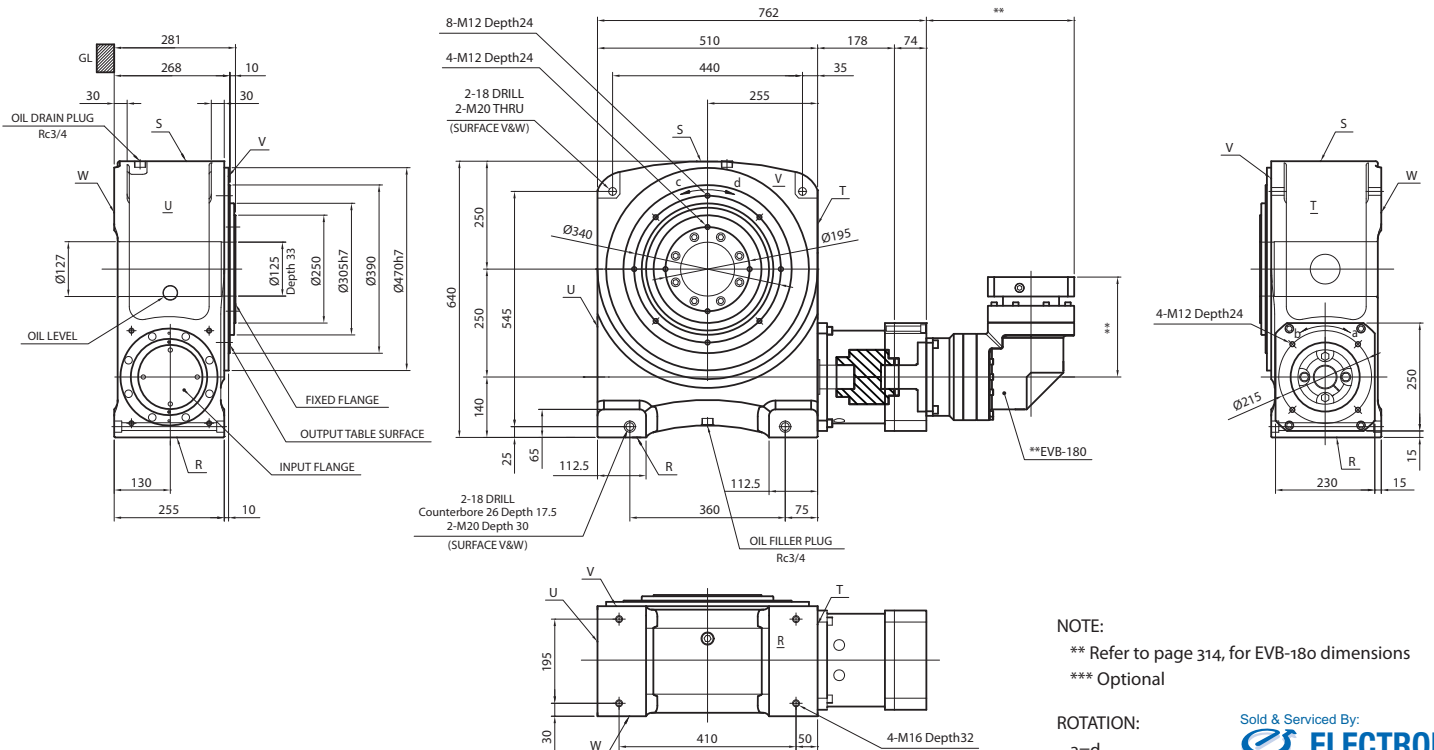
*4) IP65 (wash-down) is available as an option. Contact NIDEC-SHIMPO for more details and our food grade options

STR-250E – 3-Stage Specifications with EVB-180

Frame Size	250E									
Stage	3-Stage									
Ratio	Units	Notes	800	900	1000	1200	1400	1600	1800	2000
Nominal Torque	[Nm]	*1	4006	4006	4006	4006	4006	4006	4006	4006
Acceleration Torque	[Nm]	--	6072	6072	6072	6072	6072	6072	6072	6072
No Load Torque	[Nm]	*1	5.4	5.4	5.4	5.4	5.4	5.4	5.4	5.4
Nominal Input Speed	[rpm]	*2	1500	1500	1500	1500	1500	1500	1500	1500
Maximum Input Speed	[rpm]	*2	3000	3000	3000	3000	3000	3000	3000	3000
Reflected Inertia (Single)	[kg-m ² x10 ⁻⁴]	*3	--	--	--	--	--	--	--	--
Reflected Inertia (≤Ø 14)	[kg-m ² x10 ⁻⁴]	*3	11.315	11.835	11.275	11.255	11.235	11.225	11.225	11.215
Reflected Inertia (≤Ø 19)	[kg-m ² x10 ⁻⁴]	*3	20.105	20.625	20.065	20.035	20.025	20.015	20.005	20.005
Reflected Inertia (≤Ø 28)	[kg-m ² x10 ⁻⁴]	*3	24.925	25.445	24.885	24.855	24.845	24.835	24.825	24.825
Reflected Inertia (≤Ø 38)	[kg-m ² x10 ⁻⁴]	*3	--	--	--	--	--	--	--	--
Backlash	[arc-min]	--	0	0	0	0	0	0	0	0
Angular Transmission Accuracy	[arc-min]	--	≤ 1.5							
Angular Repeatability Accuracy	[arc-min]	--	± 0.15							
Surface Runout	[µm (max)]	--	20	20	20	20	20	20	20	20
Weight	[kg]	--	419	419	419	419	419	419	419	419
Maximum Axial Load	[N]	--	38051	38051	38051	38051	38051	38051	38051	38051
Maximum Radial Load	[N]	--	11165	11165	11165	11165	11165	11165	11165	11165
Maximum Tilting Moment Load	[Nm]	--	2478.6	2478.6	2478.6	2478.6	2478.6	2478.6	2478.6	2478.6
Efficiency	[%]	--	68	68	68	68	68	68	68	68
Protection Class	--	*4	IP54 (IP65)							

- *1) At nominal input speed
- *2) Speeds are at the actuator input. Limits when used with additional gearbox are higher
- *3) At input shaft
- *4) IP65 (wash-down) is available as an option. Contact NIDEC-SHIMPO for more details and our food grade options

STR-250 Dimensions with EVB-180



NOTE:
 ** Refer to page 314, for EVB-180 dimensions
 *** Optional

ROTATION:
 a=d
 a=c (upon special request)

Sold & Serviced By:
ELECTROMATE
 Toll Free Phone (877) SERV098
 Toll Free Fax (877) SERV099
 www.electromate.com
 sales@electromate.com

STR