

# INTRODUCING THE **CIRCULUTE 3000® PULLEY**

**Available in three sizes & four configurations**

Complementing **SHIMPO's** standard assembly configurations, the **CIRCULUTE 3000®** is also available with an integral pulley, with a hollow output shaft, or both. These configurations, available in three sizes, can be used in a number of applications to create a compact footless drive package.



Sold & Serviced By:

 **ELECTROMATE**

Toll Free Phone (877) SERV098

Toll Free Fax (877) SERV099

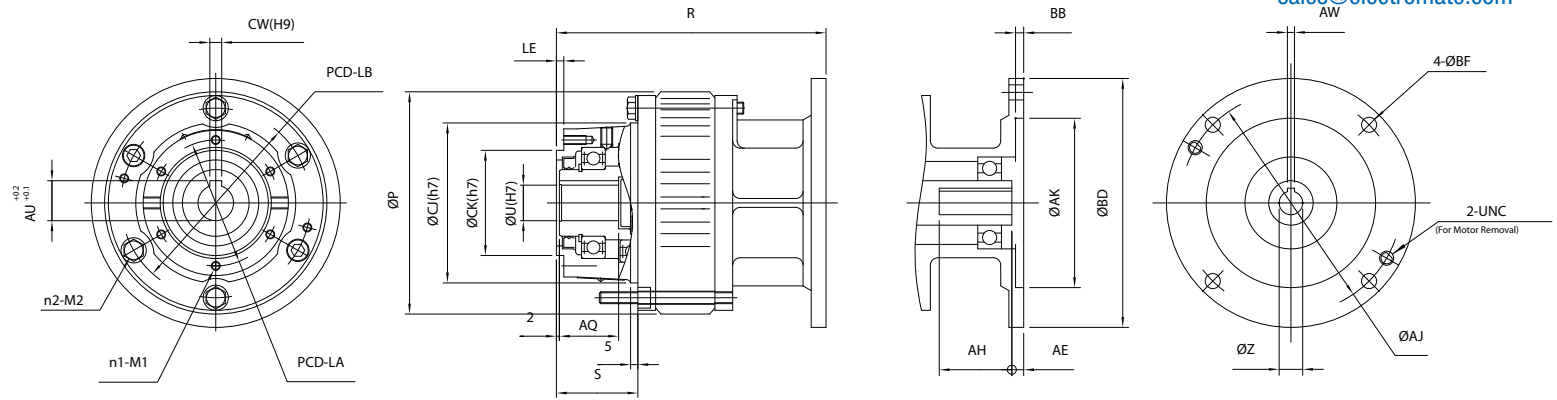
[www.electromate.com](http://www.electromate.com)

[sales@electromate.com](mailto:sales@electromate.com)

**SHIMPO** — All for dreams

# CIRCULUTE 3000® PULLEY DIMENSIONS

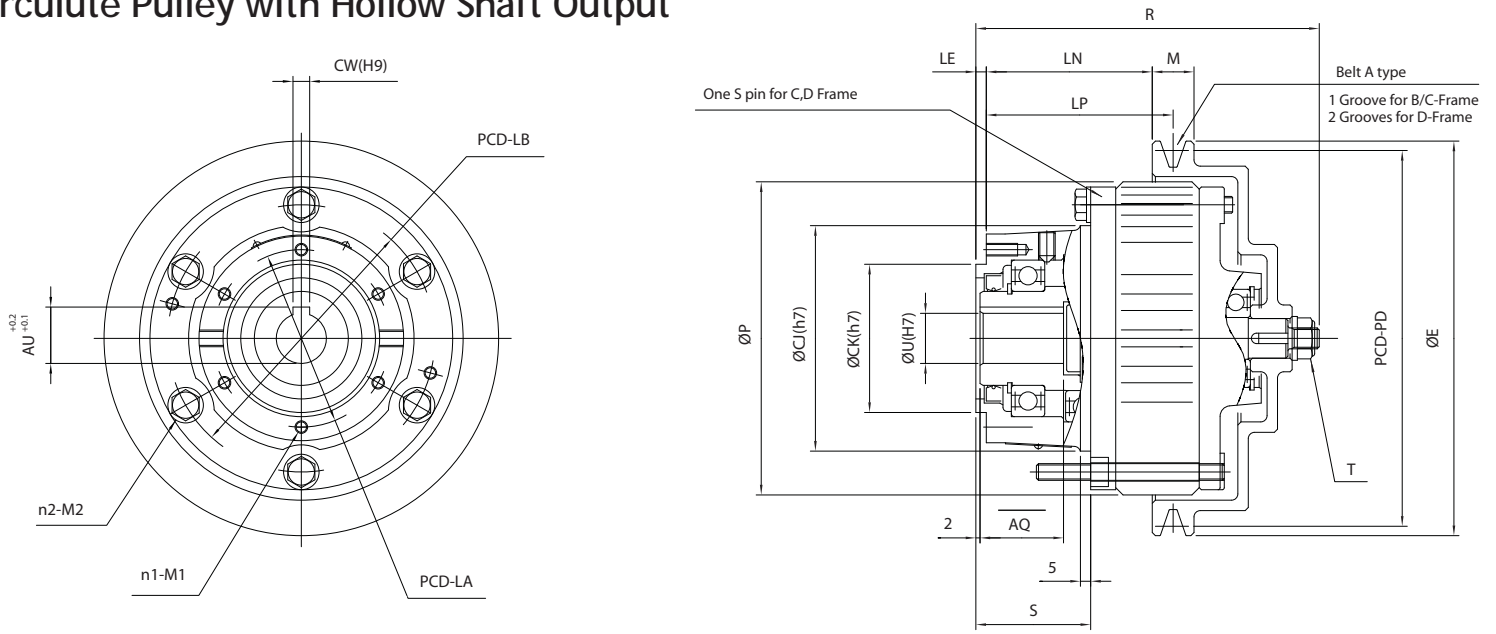
## C-Face Input with Hollow Shaft Output



(mm)

Frame	NEMA	ØU	AQ	CW	AU	PCD-LA	n1-M1	PCD-LB	n2-M2	ØCK	ØP	ØCJ	LE	S	R	NEMA-C-Face(inch)									
																AE	AH	AJ	AK	AW	BB	BD	BF	Z	UNC
B07	56C	24	40	8	27	85	6-M6 Depth15	128	4-M8x26	71	150	108	5	55	182	0.31	1.92	5.875	4.50	0.188	0.217	6.61	0.40	0.625	3/8-16
	140TC															0.31	2.13	5.875	4.50	0.188	0.217	6.61	0.40	0.875	3/8-16
C07	140TC	32	47.5	10	35	106	6-M8 Depth20	162	4-M10x37	85	190	136	5	65.5	205	0.31	2.13	5.875	4.50	0.188	0.217	6.61	0.40	0.875	3/8-16
	180TC															0.39	2.60	7.250	8.50	0.250	0.217	9.00	0.54	1.125	1/2-13
	210TC															0.39	3.15	7.250	8.50	0.313	0.197	9.00	0.54	1.375	1/2-13
D07	140TC	48	72.5	14	51.5	140	6-M10 Depth22	210	6-M10x32	112	235	182	6	99	274	0.31	2.13	5.875	4.50	0.188	0.217	6.61	0.40	0.875	3/8-16
	180TC															0.39	2.60	7.250	8.50	0.250	0.217	9.00	0.54	1.125	1/2-13
	210TC															0.39	3.15	7.250	8.50	0.313	0.197	9.00	0.54	1.375	1/2-13
	250TC															0.39	3.62	7.250	8.50	0.375	0.197	9.00	0.54	1.625	1/2-13

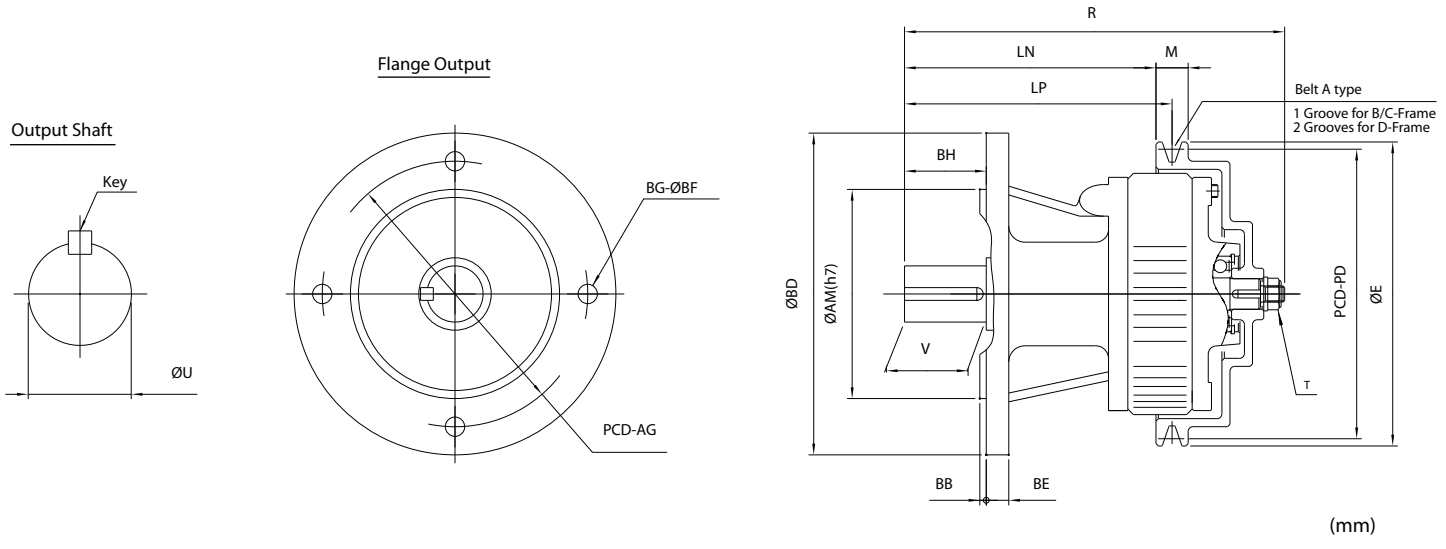
## Circulate Pulley with Hollow Shaft Output



(mm)

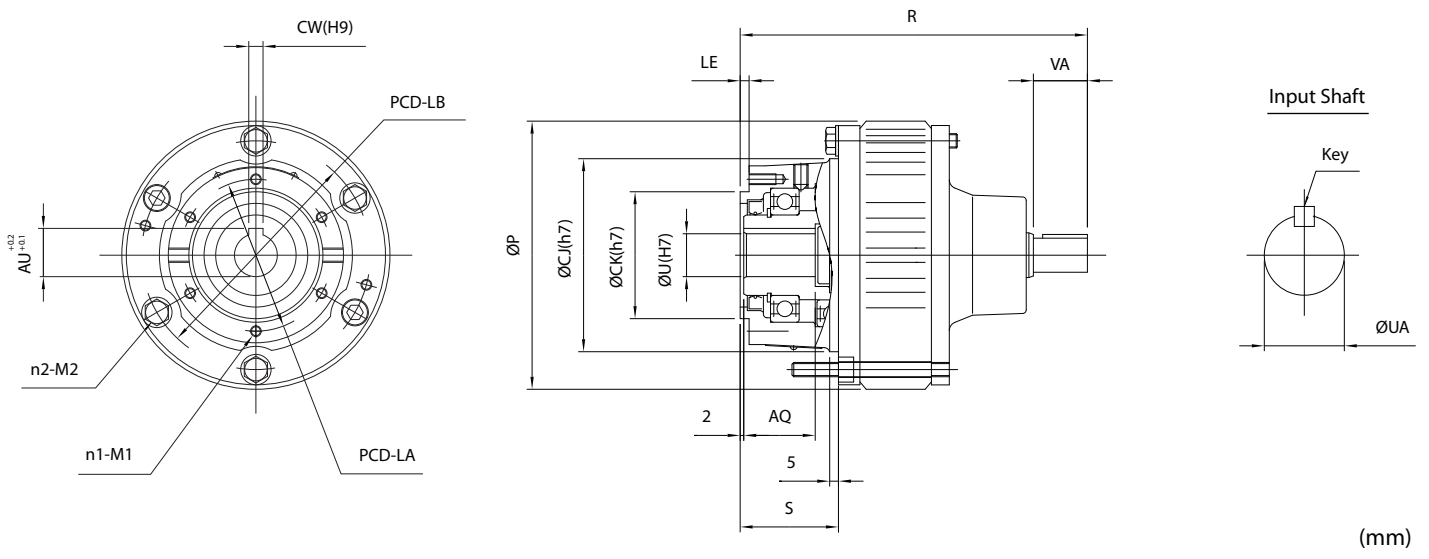
Frame	R	ØU	AQ	CW	AU	PCD-LA	n1-M1	PCD-LB	n2-M2	ØCK	ØP	ØE	ØCJ	LE	LN	LP	M	PCD-PD	S	T
B07	167.5	24	40	8	27	85	6-M6 Depth15	128	4-M8x26	71	150	189	108	5	79.5	89.5	20	180	55	M12
C07	207.5	32	47.5	10	35	106	6-M8 Depth20	162	4-M10x37	85	190	233	136	5	100.5	110.5	20	224	65.5	M14
D07	253.5	48	72.5	14	51.5	140	6-M10 Depth22	210	6-M10x32	112	235	289	182	6	137	147	35	280	99	M16

# Circulate 3000 Pulley with Standard Output Shaft



Frame	R	BG	ØBF	PCD-AG	Key(inch)	ØU(inch)	V	BH	BB	BE	ØBD	ØE	ØAM	LN	LP	M	PCD-PD	T
B07	239	4	12	165	.313x.313x1.77	1.375	51	51	4	14	200	189	130	156.3	166.3	20	180	M12
C07	299.5	4	15	214.9	.375x.375x2.16	1.750	63	63	4	18	250	233	180	197.5	207.5	20	224	M14
D07	323.5	8	15	265	.625x.625x2.95	2.500	95	95	5	22	300	289	230	213	223	35	280	M16

# Shaft in with Hollow Shaft Output



Frame	R	ØU	AQ	CW	AU	PCD-LA	n1-M1	PCD-LB	n2-M2	ØCK	ØP	ØCJ	LE	S	Key(inch)	VA	ØUA(inch)
B07	194	24	40	8	27	85	6-M6 Depth15	128	4-M8x26	71	150	108	5	55	.188x.188x0.98	30	0.750
C07	231	32	47.5	10	35	106	6-M8 Depth20	162	4-M10x37	85	190	136	5	65.5	.250x.250x1.25	40	1.000
D07	290	48	72.5	14	51.5	140	6-M10 Depth22	210	6-M10x32	112	235	182	6	99	.250x.250x1.37	45	1.125

# Ratings for Circulate 3000 Pulley & Hollow Shaft

Input Speed rpm	Ratio	11		17		29		35		47		59		71	
	Model	Output in-lbs	Input HP	Output in-lbs	Input HP	Output in-lbs	Input HP	Output in-lbs	Input HP	Output in-lbs	Input HP	Output in-lbs	Input HP	Output in-lbs	Input HP
1800	Output rpm	164		106		62.1		51.4		38.3		30.5		25.4	
	B07	1,550	4.25	1,690	3.00	2,040	2.12	1,950	1.68	1,860	0.25	1,820	0.93	1,770	0.75
	C07	3,160	8.67	4,520	8.02	4,830	5.03	5,350	4.61	4,990	1.00	4,990	2.55	4,980	2.12
	D07	7,420	20.4	9,020	16.0	9,720	10.1	10,400	8.97	10,400	2.00	10,000	5.12	9,560	4.06
1500	Output rpm	136		88.2		51.7		42.9		31.9		25.4		21.1	
	B07	1,650	3.96	1,800	2.80	2,180	1.99	2,080	1.57	1,980	1.11	1,940	0.87	1,890	0.70
	C07	3,370	8.08	4,800	7.46	5,150	4.69	5,700	4.31	5,320	2.99	5,320	2.38	5,310	1.98
	D07	7,900	18.9	9,290	14.4	10,400	9.48	11,100	8.40	11,000	6.19	10,700	4.79	10,200	3.79
1200	Output rpm	109		70.6		41.4		34.3		25.5		20.3		16.9	
	B07	1,750	3.20	1,910	2.26	2,310	1.60	2,200	1.26	2,100	0.90	2,060	0.70	2,000	0.57
	C07	3,570	6.52	5,110	6.04	5,460	3.78	6,050	3.47	5,640	2.41	5,640	1.92	5,630	1.59
	D07	8,380	15.3	9,550	11.3	11,000	7.62	11,800	6.77	11,800	5.04	11,300	3.85	10,800	3.06
1000	Output rpm	90.9		58.8		34.5		28.6		21.3		17.0		14.1	
	B07	1,850	2.96	1,910	1.98	2,500	1.52	2,380	1.20	2,270	0.85	2,240	0.67	2,200	0.55
	C07	3,700	5.93	5,210	5.40	5,650	3.44	6,080	3.07	5,820	2.19	5,820	1.74	5,820	1.45
	D07	8,680	13.9	9,900	10.3	11,500	6.99	12,600	6.35	12,600	4.73	11,700	3.51	11,400	2.83
900	Output rpm	81.8		52.9		31.0		25.7		19.2		15.3		12.7	
	B07	1,910	2.75	1,910	1.78	2,600	1.42	2,500	1.13	2,400	0.81	2,350	0.63	2,320	0.52
	C07	3,750	5.41	5,210	4.86	5,800	3.17	6,080	2.75	5,950	2.01	5,950	1.60	5,950	1.33
	D07	9,000	13.0	10,100	9.42	11,800	6.45	12,600	5.71	12,600	4.26	12,000	3.24	11,700	2.62
750	Output rpm	68.2		44.1		25.9		21.4		16.0		12.7		10.6	
	B07	1,910	2.30	1,910	1.48	2,600	1.19	2,600	0.98	2,600	0.73	2,600	0.58	2,600	0.49
	C07	3,820	4.59	5,210	4.05	6,080	2.78	6,080	2.29	6,080	1.72	6,080	1.36	6,080	1.14
	D07	9,550	11.5	10,660	8.29	12,200	5.57	12,600	4.75	12,600	3.55	12,600	2.82	12,000	2.24

DISTRIBUTED BY:

Sold & Serviced By:  
 **ELECTROMATE**  
CIRC3001.002.0408

**SHIMPO**  
 All for dreams

Toll Free Phone (877) SERV098  
 Toll Free Fax (877) SERV099  
[www.electromate.com](http://www.electromate.com)  
[sales@electromate.com](mailto:sales@electromate.com)