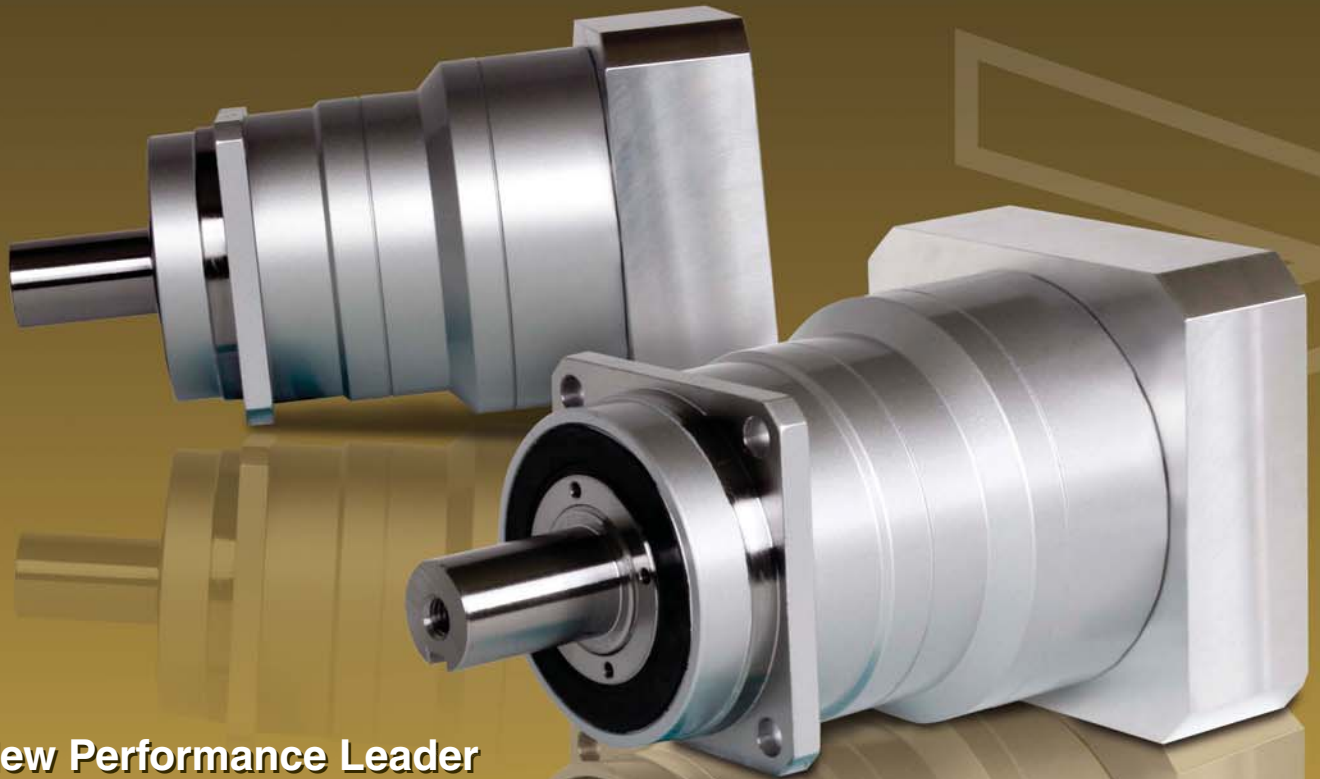


SHIMPO

VRS-Series

ABLE

Planetary Servo Reducers



New Performance Leader

- Industry Standard Mounting Dimensions
- Thru-bolt Mounting Style
- Best-In-Class Backlash (≤ 3 arc-min)
- Highest Radial and Axial Load Ratings
- Ships in 48 hours
- Assembled in the USA

Sold & Serviced By:

 **ELECTROMATE**

Toll Free Phone (877) SERV098

Toll Free Fax (877) SERV099

www.electromate.com

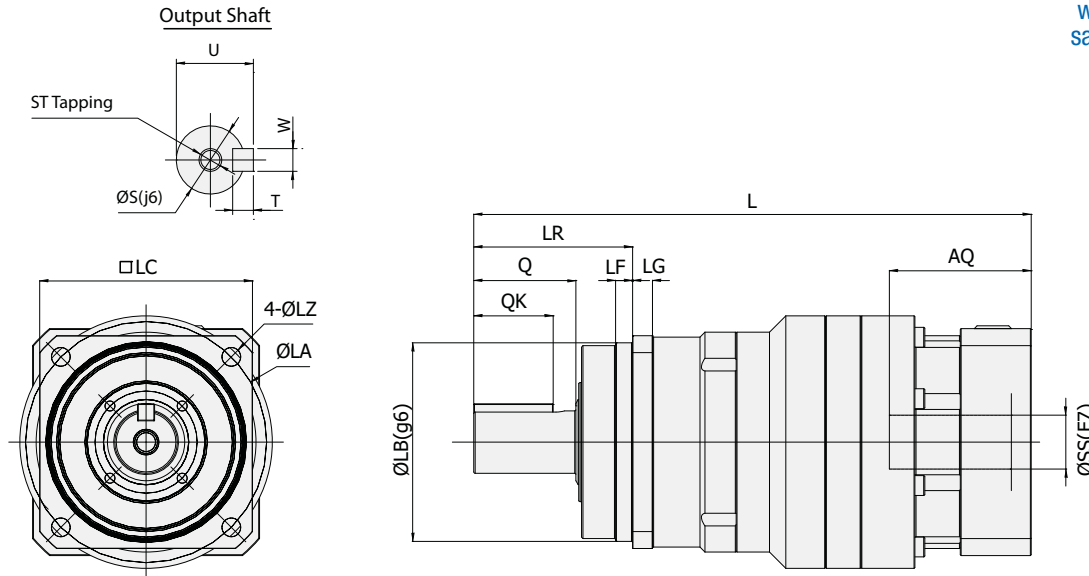
sales@electromate.com

A *Nidec* Group Company

SHIMPO

All for dreams

VRS DIMENSIONS



Frame	Reduction	SS	LA	LB	LC	L	LR	LF	LG	LZ	Q	QK	AQ	S	T	W	U	ST
060	Single	8	68	60	60	132	48	5	6	5.5	28	22	32	16	5	5	18	M5
		14				35												
		19				50												
	Double	8				151							32					
		14				156							35					
075	Single	14	85	70	75	164.5	56	6	7	6.6	36	28	35	22	6	6	24.5	M8
		19				174.5							50					
		28				191.5							67					
	Double	8				181.5							32					
		14				186.5							35					
		19				196.5							50					
100	Single	19	120	90	100	213.5	88	8	10	9	58	45	50	32	8	10	35	M12
		28				230.5							67					
		38				251.5							82					
	Double	14				231							35					
		19				241							50					
		28				258							67					
140	Single	28	165	130	140	274	112	10	12	11	82	65	67	40	8	12	43	M16
		38				289							82					
		48				330							118					
	Double	19				291.5							50					
		28				308.5							67					
		38				323.5							82					
180	Single	38	215	160	180	315.5	112	12	15	13.5	82	65	82	55	10	16	59	M20
		48				351.5							118					
		65				363							122					
	Double	28				345							67					
		38				360							82					
		48				396							118					
210	Single	48	250	180	210	414	143	15	17	17	105	85	118	75	12	20	79.5	M20
		65				418							122					
	Double	38				413							77					
		48				449							118					
240	Single	65	290	200	240	465.5	170	20	20	17	130	105	122	85	14	22	90	M20
	Double	48				516							118					

Note 1: Depending on installed servo motor, the L dimension varies slightly.
 Note 2: For other input shaft dimensions, bushing is installed into input shaft.
 Note 3: Single reduction 3-10:1. Double reduction 15-100:1.
 Note 4: Contact Shimpo for dimensional data for 042 frame sizes.
 Note 5: Dimensions in mm.
 Note 6: Also available in right angle.

VRS SPECIFICATIONS

Specification	Frame	060		075		100		140	
	Ratio	Single Reduction	Double Reduction	Single Reduction	Double Reduction	Single Reduction	Double Reduction	Single Reduction	Double Reduction
Nominal Output Torque	Nm	27	27	75	75	180	180	360	360
Maximum Output Torque	Nm	50	50	125	125	330	330	700	700
Emergency Stop Torque	Nm	100	100	250	250	625	625	1250	1250
Backlash	arc-min	3	3	3	3	3	3	3	3
Nominal Input Speed	rpm	3000	3000	3000	3000	3000	3000	2000	2000
Maximum Input Speed	rpm	6000	6000	6000	6000	6000	6000	4000	4000
Allowable Radial Load	N	2400	3000	3300	3900	4900	6300	9700	10000
Allowable Thrust Load	N	2700	2700	4300	3900	7000	6300	9000	9000
Weight	kg	1.6	1.8	3.4	3.8	8.1	8.8	17	19
Unit Life	hrs	20000	20000	20000	20000	20000	20000	20000	20000
Protection*		IP40	IP40	IP40	IP40	IP40	IP40	IP40	IP40
Moment of Inertia	kgcm ²	Contact us for the details							

Speed Reduction Ratios	Single	3,4,5,6,7,8,9,10:1
	Double	15,16,20,25,28,30,35,40,45,50,60,70,80,90,100:1

Note: Contact Shimpo for specification data for 042 frame sizes.

* Unit can achieve IP65 rating with appropriate sealant added between adapter and motor connection.

Contact Shimpo for details if IP65 rating is necessary.

Specification	Frame	180		210		240	
	Ratio	Single Reduction	Double Reduction	Single Reduction	Double Reduction	Single Reduction	Double Reduction
Nominal Output Torque	Nm	750	750	1500	1500	2400	2400
Maximum Output Torque	Nm	1400	1400	2300	2300	3700	3700
Emergency Stop Torque	Nm	2750	2750	5000	5000	8000	8000
Backlash	arc-min	3	3	3	3	3	3
Nominal Input Speed	rpm	1500	1500	1000	1000	1000	1000
Maximum Input Speed	rpm	3000	3000	2000	2000	2000	2000
Allowable Radial Load	N	19000	19000	24000	22000	30000	27000
Allowable Thrust Load	N	17000	17000	22000	22000	30000	27000
Weight	kg	39	39	59	60	85	89
Unit Life	hrs	20000	20000	20000	20000	20000	20000
Protection*		IP40	IP40	IP40	IP40	IP40	IP40
Moment of Inertia	kgcm ²	Contact us for the details					

Speed Reduction Ratios	Single	3,4,5,6,7,8,9,10:1
	Double	15,16,20,25,28,30,35,40,45,50,60,70,80,90,100:1

Note: Contact Shimpo for specification data for 042 frame sizes.

* Unit can achieve IP65 rating with appropriate sealant added between adapter and motor connection.

Contact Shimpo for details if IP65 rating is necessary.

Improving the Speed of Industry

Servo Motor Planetary Gear Reducers



ABLE Inline Series



ABLE Right Angle Series



ABLE with Rotary Stage

Mechanical Adjustable Speed Drives

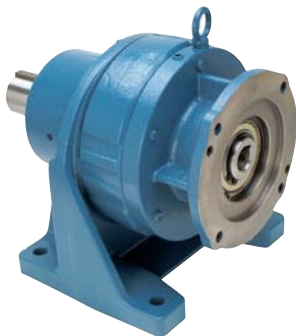


Standard Ringcone



Ringcone Motor Assembly

Industrial Duty Speed Reducers



Circulute Cycloidal Reducer



Circulute with Servo Input



Circulute Pulley Style

Sold & Serviced By:

 **ELECTROMATE**

Toll Free Phone (877) SERV098

Toll Free Fax (877) SERV099

www.electromate.com

sales@electromate.com

A **Nidec** Group Company

SHIMPO All for dreams