

SHIMPO

EVL-Series

ABLE

Right Angle Servo Reducers



New Performance Leader

- Industry Standard Mounting Dimensions
- Thread-in Mounting Style
- Low Backlash (≤ 8 arc-min)
- Readily Available
- Assembled in the USA

Sold & Serviced By:

 **ELECTROMATE**

Toll Free Phone (877) SERV098

Toll Free Fax (877) SERV099

www.electromate.com

sales@electromate.com

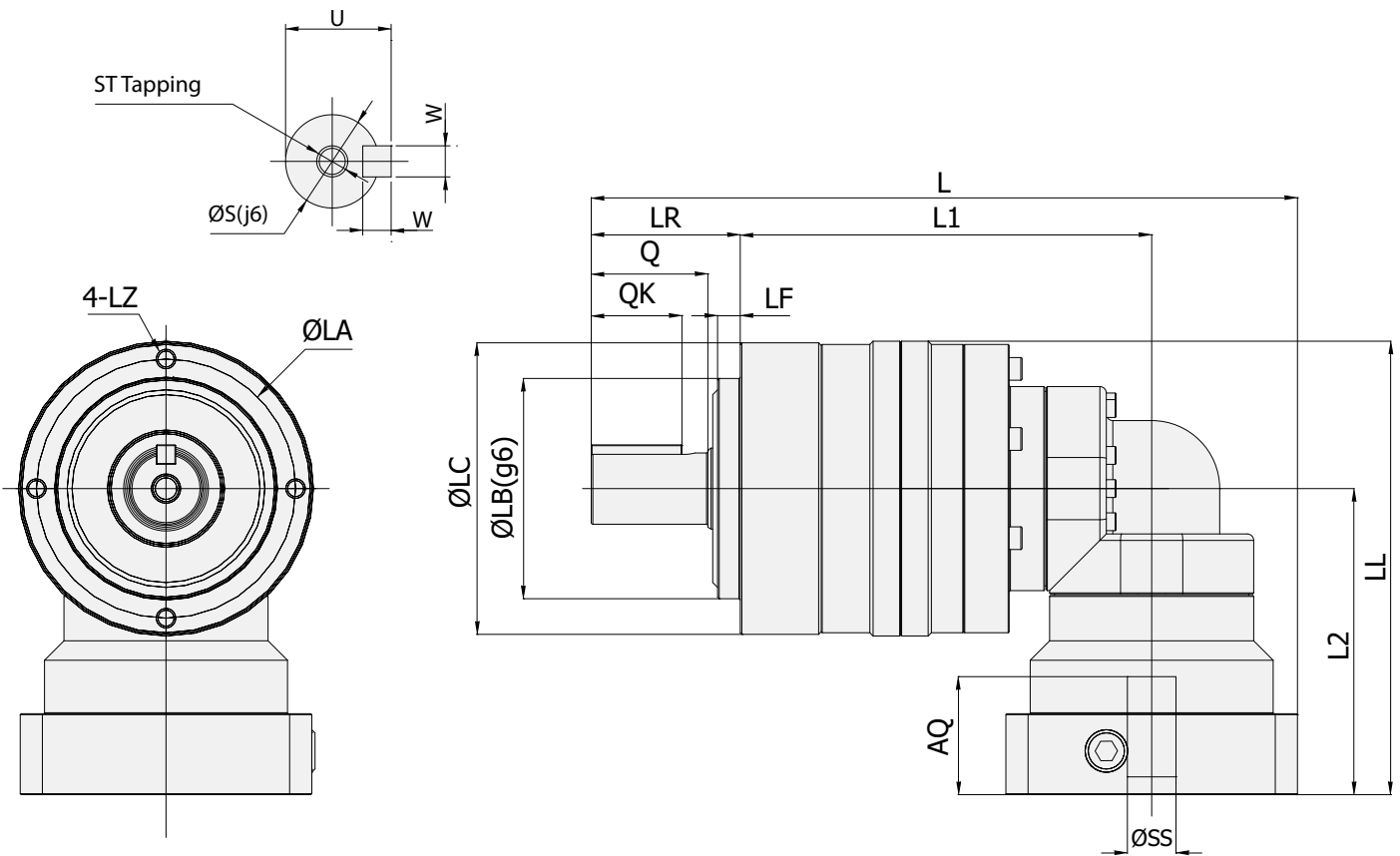
A *Nidec* Group Company

SHIMPO

All for dreams

EVL DIMENSIONS

Output Shaft



Frame	Reduction	SS	LA	LB	LC	L	L1	LR	LF	LZ	Q	QK	LL	L2	AQ	S	T	W	U	ST	
070	Double	8	62	52	70	151.5	84	36	5	M5	28	22	106.5	71.5	32	16	5	5	18	M5	
		14				112.5							77.5	35							
		19				129.5							94.5	50							
	Triple	8				158	96						99.5	64.5	32						
		14				163.5							103.5	68.5	35						
090	Double	14	80	68	90	205.5	114	46	7	M6	36	28	137.5	92	35	22	6	6	24.5	M8	
		19				145.5							100	50							
		28				174.5							129	67							
	Triple	8				204.5	127						117	71.5	32						
		14				210.5							123	77.5	35						
		19											140	94.5	50						
120	Double	19	108	90	120	251	121	70	9	M8	58	45	170	110	50	32	8	10	35	M12	
		28				196							136	67							
		38				213							153	82							
	Triple	14				248.5	133						152	92	35						
		19											160	100	50						
		28											189	129	67						
155	Double	28	140	120	155	341	169	97	12	M10	82	65	227	152	67	40	8	12	43	M16	
		38				343.5							204.5	242	167						82
		48												288	213						118
	Triple	19				361.5	185							110	50						
		28				364	211						136	67							
		38					228						153	82							

Note 1: Depending on installed servo motor, the L/LL/L2 dimensions varies slightly.

Note 2: For other input shaft dimensions, bushing is installed into input shaft.

Note 3: Double reduction 3-10:1. Triple reduction 15-100:1.

EVL SPECIFICATIONS

Specification	Frame	070		090	
	Ratio	Double Reduction	Triple Reduction	Double Reduction	Triple Reduction
Nominal Output Torque	Nm	24	24	65	65
Maximum Output Torque	Nm	45	45	90	220
Emergency Stop Torque	Nm	90	90	220	220
Backlash	arc-min	8	11	8	11
Nominal Input Speed	rpm	3000	3000	3000	3000
Maximum Input Speed	rpm	6000	6000	6000	6000
Allowable Radial Load	N	640	1200	1200	2400
Allowable Thrust Load	N	530	1100	1600	2200
Weight	kg	1.9	1.7	4.9	4.3
Unit Life	hrs	20000	20000	20000	20000
Protection*		IP40	IP40	IP40	IP40
Moment of Inertia	kgcm ²	Contact us for details			

Speed Reduction Ratio	Double	3,4,5,6,7,8,9,10:1
	Triple	15,16,20,25,28,30,35,40,45,50,60,70,80,90,100:1

* Unit can achieve IP65 rating with appropriate sealant added between adapter and motor connection.
Contact Shimpo for details if IP65 rating is necessary.

Specification	Frame	120		155	
	Ratio	Double Reduction	Triple Reduction	Double Reduction	Triple Reduction
Nominal Output Torque	Nm	150	150	300	300
Maximum Output Torque	Nm	300	300	600	600
Emergency Stop Torque	Nm	550	550	1100	1100
Backlash	arc-min	8	11	8	11
Nominal Input Speed	rpm	3000	3000	2000	2000
Maximum Input Speed	rpm	6000	6000	4000	4000
Allowable Radial Load	N	2000	4300	4700	9100
Allowable Thrust Load	N	2500	3900	4100	8200
Weight	kg	10.2	10.0	19.8	20.4
Unit Life	hrs	20000	20000	20000	20000
Protection*		IP40	IP40	IP40	IP40
Moment of Inertia	kgcm ²	Contact us for details			

Speed Reduction Ratio	Double	3,4,5,6,7,8,9,10:1
	Triple	15,16,20,25,28,30,35,40,45,50,60,70,80,90,100:1

* Unit can achieve IP65 rating with appropriate sealant added between adapter and motor connection.
Contact Shimpo for details if IP65 rating is necessary.

Improving the Speed of Industry

Servo Motor Planetary Gear Reducers



ABLE Inline Series



ABLE Right Angle Series



ABLE with Rotary Stage

Mechanical Adjustable Speed Drives

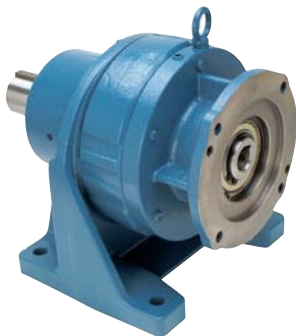


Standard Ringcone



Ringcone Motor Assembly

Industrial Duty Speed Reducers



Circulute Cycloidal Reducer



Circulute with Servo Input



Circulute Pulley Style

Sold & Serviced By:

 **ELECTROMATE**

Toll Free Phone (877) SERV098

Toll Free Fax (877) SERV099

www.electromate.com

sales@electromate.com

A **Nidec** Group Company

SHIMPO All for dreams