

MACRON 14 Z-AXIS LINEAR ACTUATOR

Features

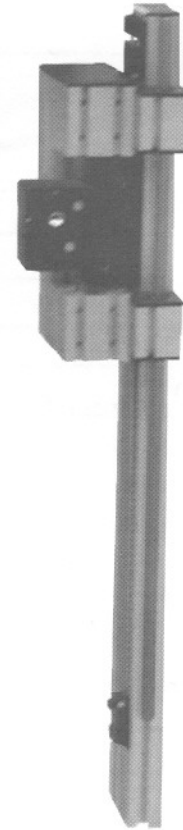
- Macron actuators are furnished to your specifications
- Available in any length up to 6 meters (20 ft.)
- Fast turnaround on all standard units

Optional

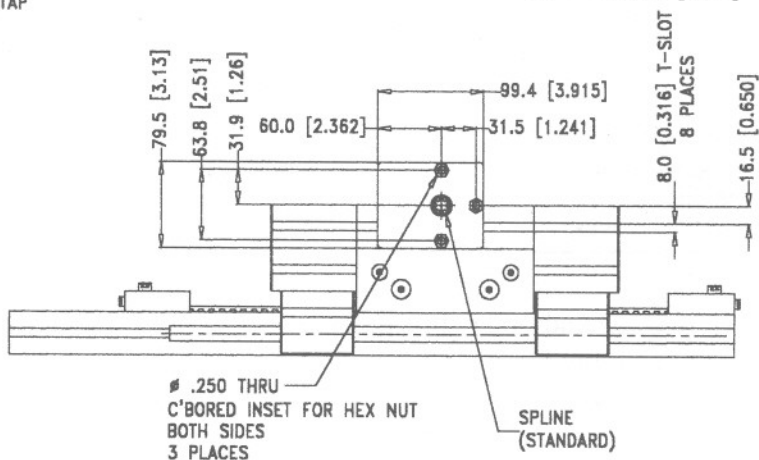
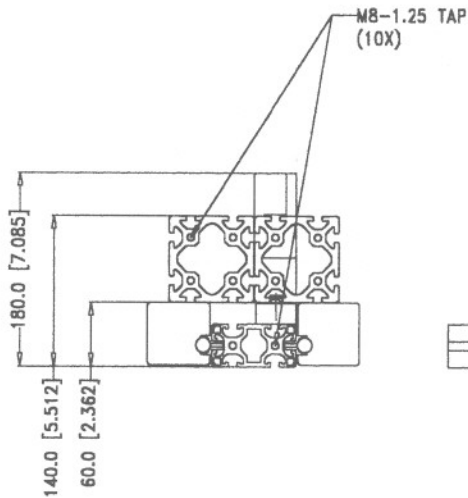
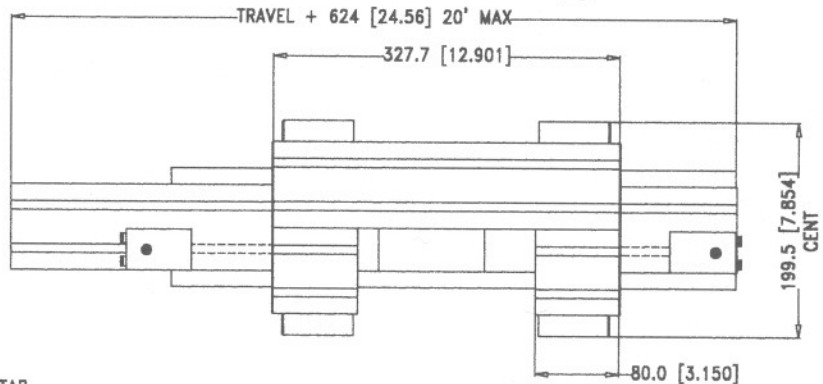
- Dual belt system
- Sensors

Motor Mounting (See Page 22)

- Motor Mount Adapter
- NEMA 23, 34 & 42 (standard)
48, 56 & non-NEMA sizes (optional)
- Spline Adapter
- Shafted Pulley



Sold & Serviced By:
 **ELECTROMATE**
 Toll Free Phone (877) SERV098
 Toll Free Fax (877) SERV099
 www.electromate.com
 sales@electromate.com



MACRON 14-Z AXIS LINEAR ACTUATOR - dimensional data

MACRON 14 Z-AXIS LINEAR ACTUATOR

TECHNICAL DATA

Specifications:

| | | |
|------------------------|--|--|
| Repeatability | | +/- 0.001 in |
| Linear Accuracy | | +/- 0.005 in per 36 in |
| Breakaway Torque | | 42-44 oz-in |
| Belt Tensile Limit | | 1750 lbs |
| Belt Running Load | | 0 - 500 lbs |
| Travel/Revolution | | 150 mm/rev (5.906) in/rev) |
| Pulley Diameter | | 47.5 mm (1.88 in) |
| Pulley Weight (each) | | 9.5 oz |
| Maximum Speed | | 400 in/sec |
| Acceleration Exceeding | | 9 G's |
| Motor Mount/Coupling | | NEMA 23, 34 & 42 (standard), 48, 56 & non-NEMA sizes (optional) |

Sold & Serviced By:
 **ELECTROMATE**
 Toll Free Phone (877) SERV098
 Toll Free Fax (877) SERV099
www.electromate.com
sales@electromate.com

Shipping Weight

| | | |
|-----------------------|--|--------|
| First meter of travel | | 32 lbs |
| Additional per meter | | 15 lbs |

Load Capacities

| | | |
|--------------------|--|----------------------------|
| Dynamic Horizontal | | To Customer Specifications |
| Static Horizontal | | To Customer Specifications |

Inertia Calculation

| ~ W values of actuators | weight | inertia |
|-----------------------------------|----------|-----------------------------|
| ~ weight of vertical beam 40 X 80 | 19 lbs | 8.238 lbs - in ² |
| ~ weight of belt/meter of travel | .469 lbs | TBD* lbs - in ² |
| ~ weight of pulley | .594 lbs | TDB* - in ² |

*Application Specific

For Multi-Axis Units and other specifications not listed, contact your local Distributor or Macron for Engineering Design assistance and quotations.