

MSA - SB1 - B - GB - -

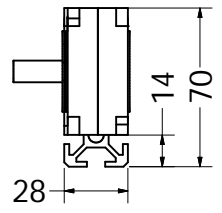
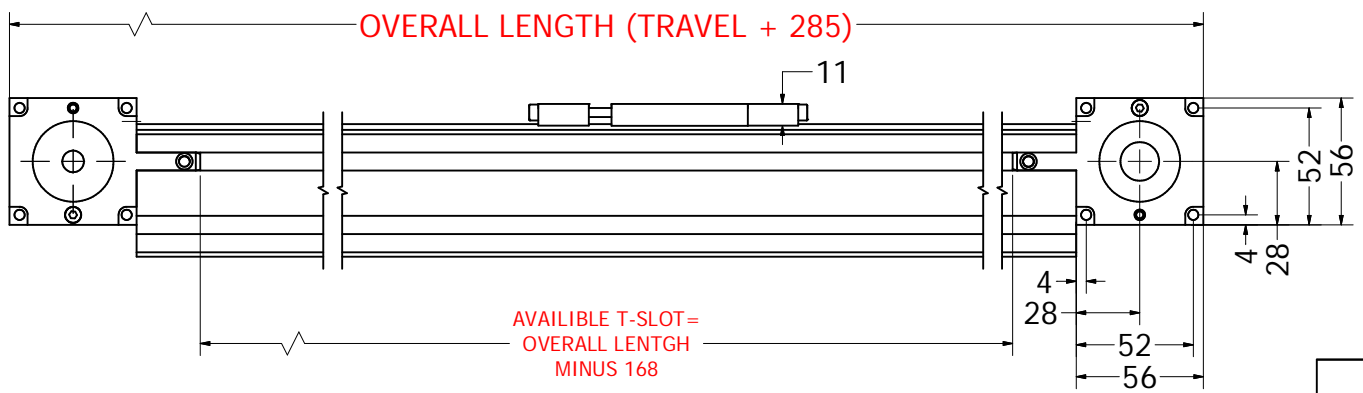
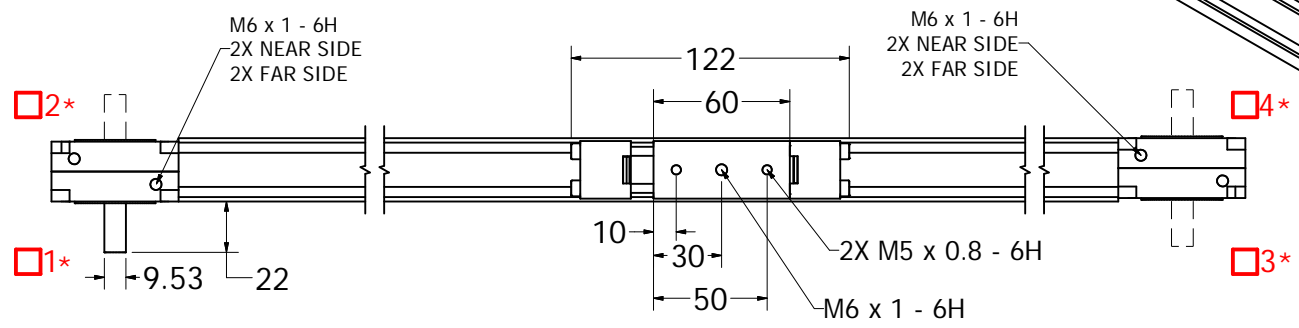
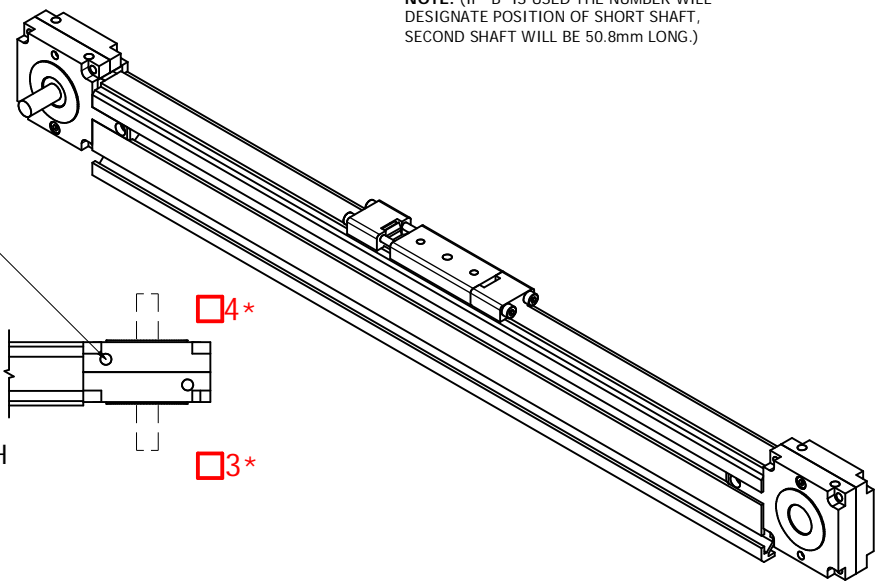
STOCK TRAVEL	OVERALL LENGTH	TRAVEL
	00500	215
	00750	465
	01000	715
	01250	965
	01500	1215
	01750	1465
	02000	1715
	02250	1965
	CUSTOM TRAVEL	

ENTER
OVERALL LENGTH [mm]

SELECT
DRIVE SHAFT LOCATION *

SPECIFY TYPE
A = SINGLE SHAFTED
B = DOUBLE SHAFTED

NOTE: (IF "B" IS USED THE NUMBER WILL DESIGNATE POSITION OF SHORT SHAFT, SECOND SHAFT WILL BE 50.8mm LONG.)



APPROVED: _____
DATE: _____

Sold & Serviced By:
ELECTROMATE
Toll Free Phone (877) SERV098
Toll Free Fax (877) SERV099
www.electromate.com
sales@electromate.com

3RD ANGLE PROJECTION THIS DRAWING IS THE PROPERTY OF MACRON DYNAMICS INC. ANY REPRODUCTIONS SHALL BE FOR QUOTATION, MANUFACTURING, OR PURCHASING PURPOSES ONLY. RELEASE OF DRAWINGS TO OTHER CONCERNS DOES NOT CONSTITUTE LICENSING IN ANY WAY. INFORMATION CONTAINED HEREIN IS PROPRIETARY AND CONFIDENTIAL. COMPUTER GENERATED DOCUMENT. MANUAL CHANGES NOT PERMITTED. UNLESS OTHERWISE SPECIFIED ALL DIMENSIONS IN MILLIMETERS	 MACRON DYNAMICS, INC.	TITLE
		MACRON SINGLE BELT DRIVE 12
	DWG. NO.	REV
MSA-SB1	02	
DO NOT SCALE DRAWING SHEET 1 OF 6		

DOUBLE SHAFTED
PULLEY

POWER
TAKE-OFF
SIDE

MOTOR
MOUNTING
SIDE

14.29

30

8

19

26

30

10

46

56

4X CLEARANCE HOLE
FOR A M4 SCREW

Ø38.10 PILOT
0.80 mm TALL
(SHAFT LOCATION ONLY)

4

28

52

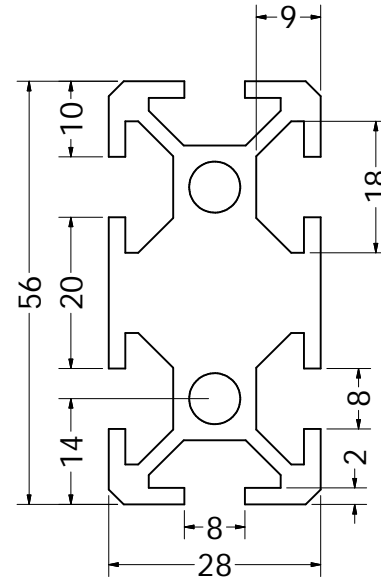
56

28

52

56

ACTUATOR BODY
MOUNTING FEATURES
T-NUT SLOTS



Sold & Serviced By:



Toll Free Phone (877) SERV098
Toll Free Fax (877) SERV099
www.electromate.com
sales@electromate.com

<p>3RD ANGLE PROJECTION</p>	<p>MACRON DYNAMICS, INC.</p>
<p>THIS DRAWING IS THE PROPERTY OF MACRON DYNAMICS INC. ANY REPRODUCTIONS SHALL BE FOR QUOTATION, MANUFACTURING, OR PURCHASING PURPOSES ONLY. RELEASE OF DRAWINGS TO OTHER CONCERNS DOES NOT CONSTITUTE LICENSING IN ANY WAY. INFORMATION CONTAINED HEREIN IS PROPRIETARY AND CONFIDENTIAL.</p>	<p>TITLE MACRON SINGLE BELT DRIVE 12</p>
<p>COMPUTER GENERATED DOCUMENT. MANUAL CHANGES NOT PERMITTED</p>	<p>DWG. NO. MSA-SB1</p>
<p>UNLESS OTHERWISE SPECIFIED ALL DIMENSIONS IN MILLIMETERS</p>	<p>REV 02</p> <p>DO NOT SCALE DRAWING SHEET 2 OF 6</p>