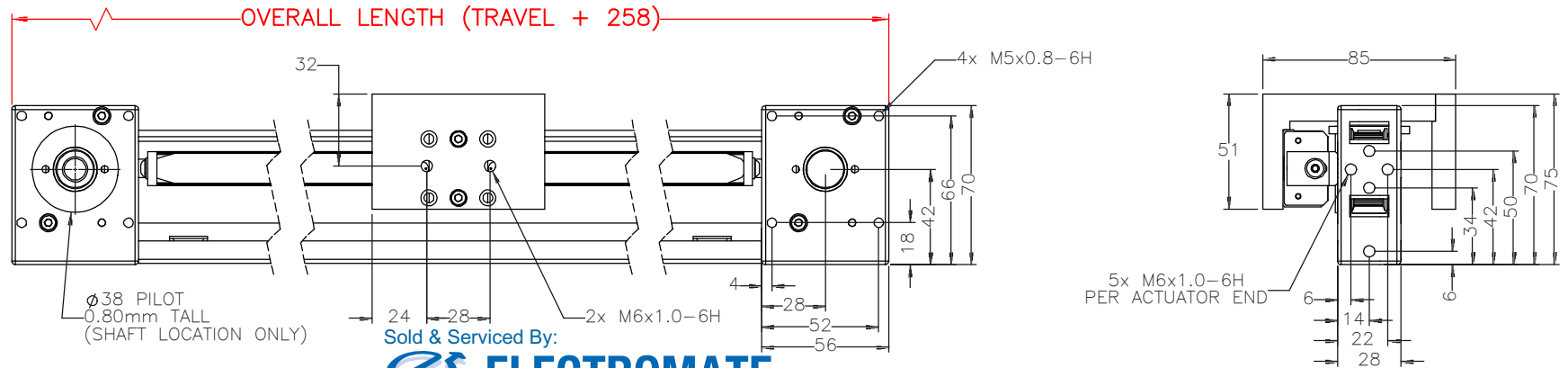
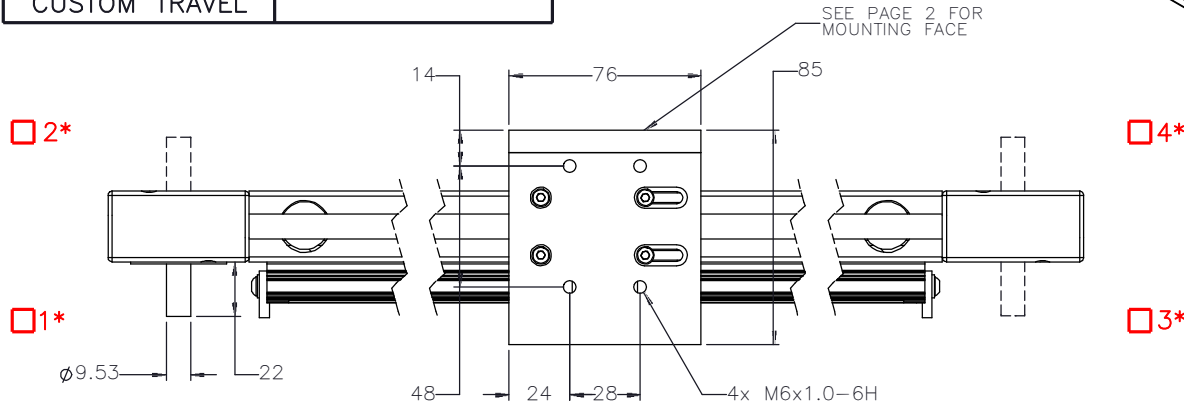
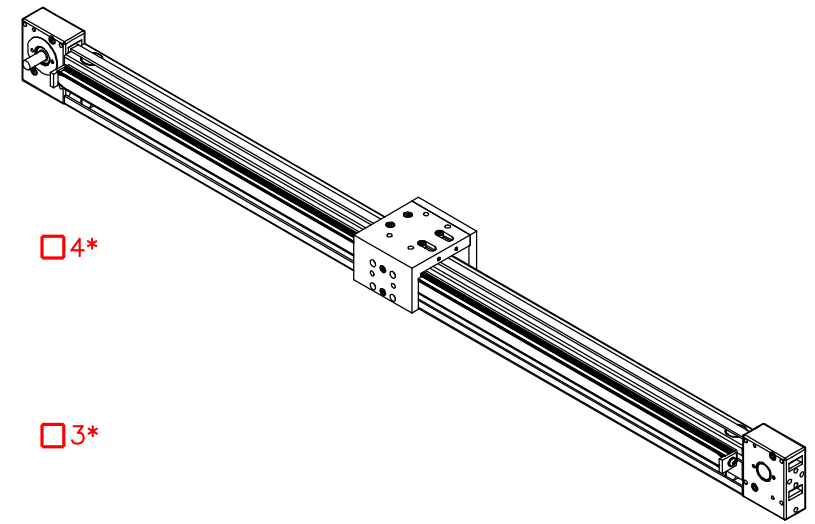


# MSA-R15-B-AB- -

STOCK TRAVEL	OVERALL LENGTH	TRAVEL
	00500	242
	00750	492
	01000	742
	01250	992
	01500	1242
	01750	1492
	02000	1742
02250	1992	
CUSTOM TRAVEL		

ENTER OVERALL LENGTH (mm)  
 SELECT DRIVE SHAFT LOCATION\*  
 SHAFTING TYPE  
 A=SINGLE SHAFTED  
 B=DOUBLE SHAFTED  
 NOTE: (IF "B" IS USED THE NUMBER WILL DESIGNATE POSITION OF THE BOSS ON THE PULLEY)



Sold & Serviced By: **ELECTROMATE**

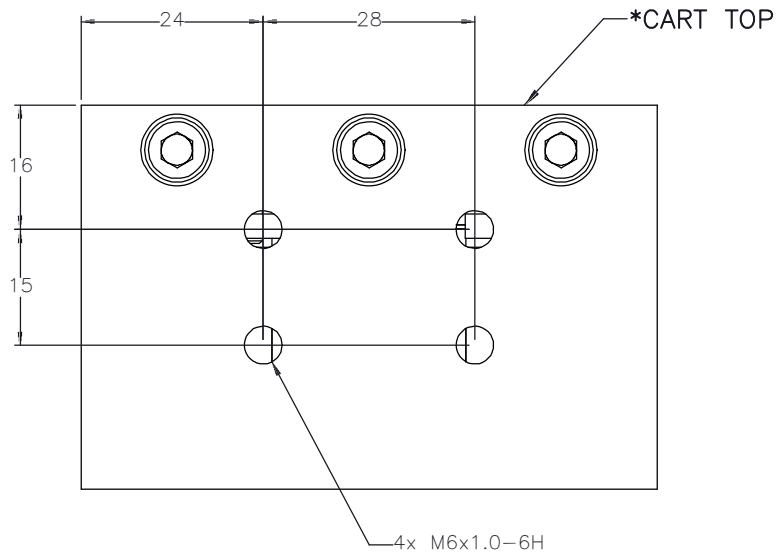
APPROVED: \_\_\_\_\_  
 DATE: \_\_\_\_\_

Toll Free Phone (877) SERV098  
 Toll Free Fax (877) SERV099  
[www.electromate.com](http://www.electromate.com)  
[sales@electromate.com](mailto:sales@electromate.com)

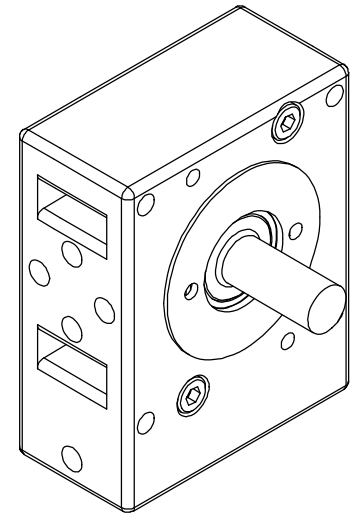
 <b>MACRON DYNAMICS INC</b>	DRAWN BY: ASB    DATE: 3/6/2012    MATERIAL:	TITLE: MACRON R15 RAIL ACTUATOR
	CHECKED BY: ---    DATE: DD/MM/YYYY	
UNLESS OTHERWISE SPECIFIED, DIMENSIONS ARE IN INCHES. TOLERANCES UNLESS NOTED OTHERWISE:	LAST SAVED BY: Alex    DATE: 12/12/2013	FINISH:
	.X ± .03 .XX ± .010 .XXX ± .005 ANG ± 0°30'	
SURFACE FINISH <input checked="" type="checkbox"/>	BREAK ALL SHARP EDGES DIMENSIONAL LIMITS APPLY AFTER FINISHING	SCALE: 1:1    SHEET SIZE: C
THIRD ANGLE PROJECTION	SHEET: 1 OF 6    PART NUMBER: MSA-R15	REV:

THIS DRAWING IS THE PROPERTY OF MACRON DYNAMICS. ANY REPRODUCTIONS SHALL BE FOR QUOTATION, MANUFACTURING, OR PURCHASING PURPOSES ONLY. RELEASE OF DRAWINGS TO OTHER CONCERNS DOES NOT CONSTITUTE LICENSING IN ANY WAY. INFORMATION CONTAINED HEREIN IS PROPRIETARY AND CONFIDENTIAL.

# CART MOUNTING FEATURES



# DOUBLE SHAFTED PULLEY



Sold & Serviced By:



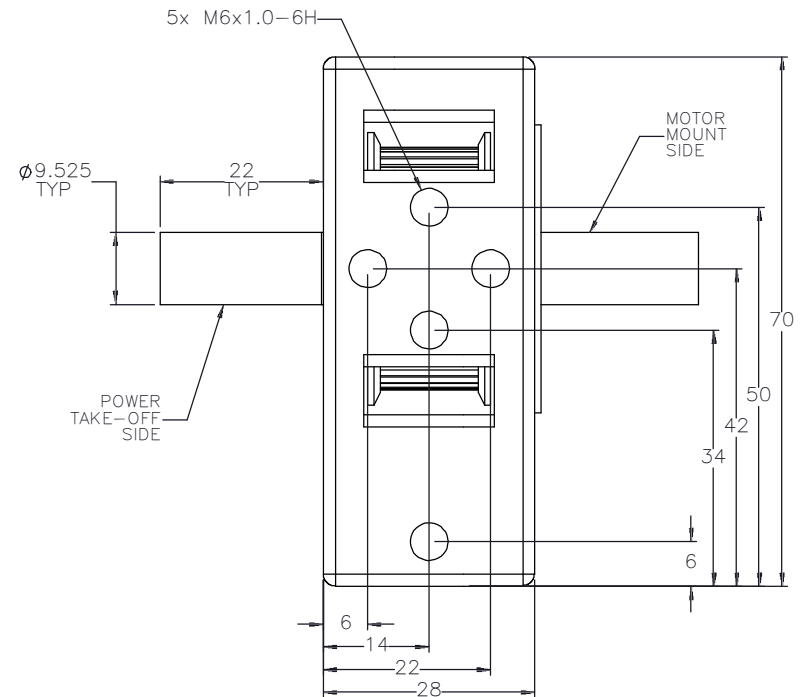
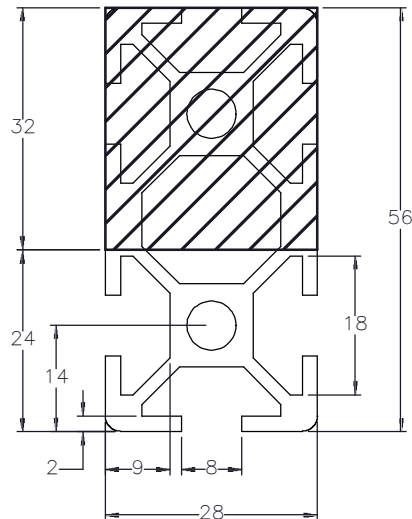
Toll Free Phone (877) SERV098

Toll Free Fax (877) SERV099

www.electromate.com

sales@electromate.com

# CUSTOMER ACCESSIBLE MOUNTING FEATURES, T-NUT SLOTS



SPECIFICATIONS ARE SUBJECT TO CHANGE WITHOUT NOTICE

	DRAWN BY: ASB CHECKED BY: -- LAST SAVED BY: Alex	DATE: 3/6/2012 DATE: DD/MM/YYYY DATE: 12/12/2013	MATERIAL:	TITLE: MACRON PULLEY ASSEMBLY 28-12, DOUBLE SHAFTED
	UNLESS OTHERWISE SPECIFIED, DIMENSIONS ARE IN INCHES. TOLERANCES UNLESS NOTED OTHERWISE:		FINISH:	SCALE: 1:1 SHEET SIZE: C
THIS DRAWING IS THE PROPERTY OF MACRON DYNAMICS. ANY REPRODUCTIONS SHALL BE FOR QUOTATION, MANUFACTURING, OR PURCHASING PURPOSES ONLY. RELEASE OF DRAWINGS TO OTHER CONCERNS DOES NOT CONSTITUTE LICENSING IN ANY WAY. INFORMATION CONTAINED HEREIN IS PROPRIETARY AND CONFIDENTIAL.			SURFACE FINISH: <input checked="" type="checkbox"/> BREAK ALL SHARP EDGES DIMENSIONAL LIMITS APPLY AFTER FINISHING THIRD ANGLE PROJECTION	SHEET: 2 OF 6 PART NUMBER: MSA-R15 REV: C