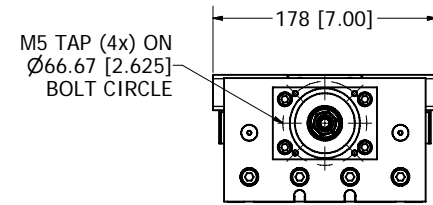
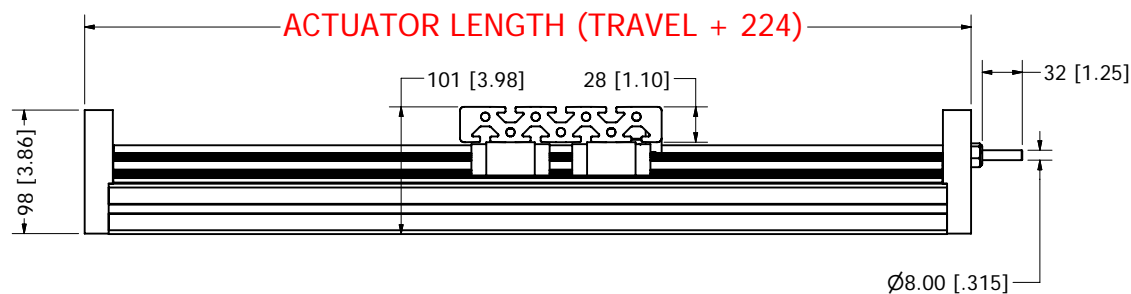
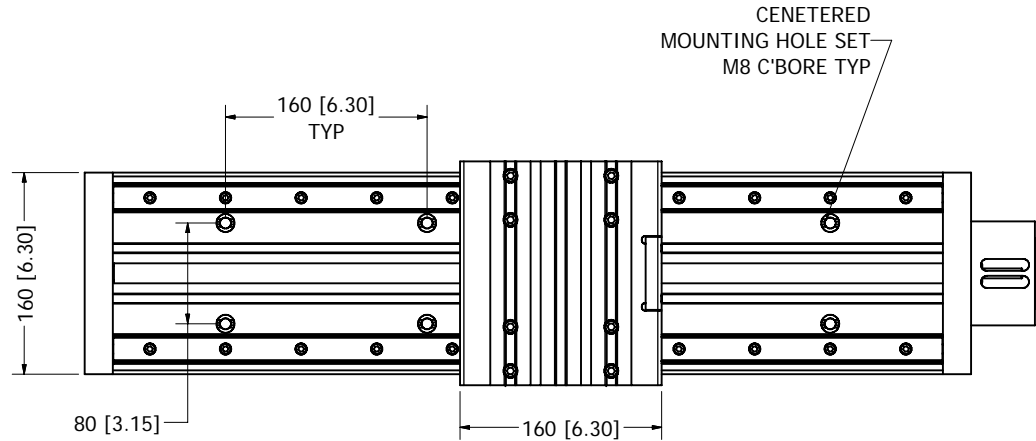
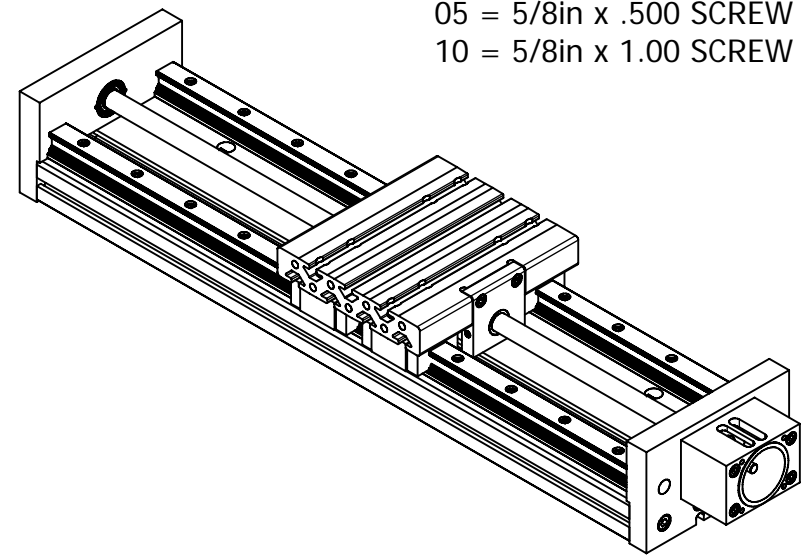


MSA - DRT - N - 00 -

-

STOCK TRAVEL	ACTUATOR LENGTH	TRAVEL	MOUNTING HOLE SETS
	00384	160	2
	00544	320	3
	00704	480	4
	00864	640	5
	CUSTOM TRAVEL		

*ENTER*  
ACTUATOR LENGTH [mm]  
*SPECIFY PITCH TYPE*  
02 = 5/8in x .200 SCREW  
05 = 5/8in x .500 SCREW  
10 = 5/8in x 1.00 SCREW



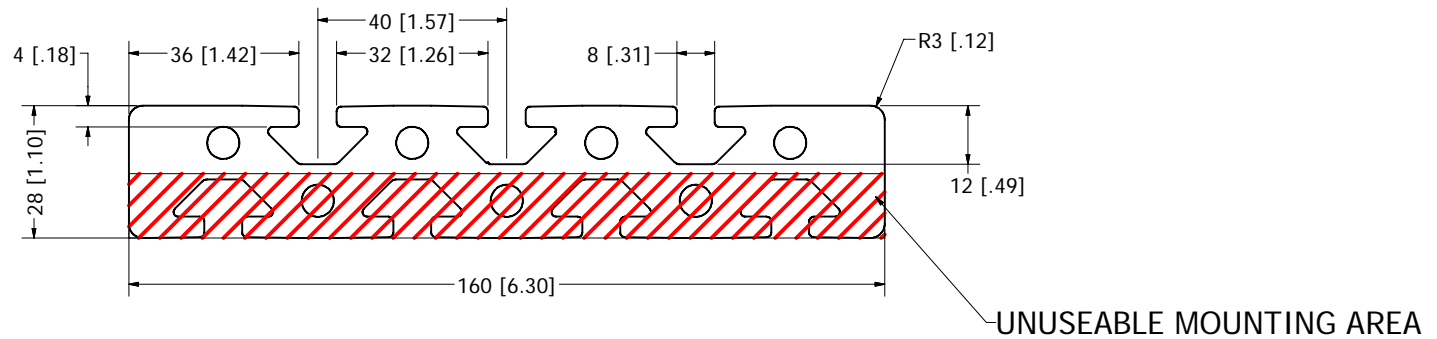
Sold & Serviced By:  
**ELECTROMATE**  
Toll Free Phone (877) SERV098  
Toll Free Fax (877) SERV099  
[www.electromate.com](http://www.electromate.com)  
[sales@electromate.com](mailto:sales@electromate.com)

APPROVED: \_\_\_\_\_  
DATE: \_\_\_\_\_

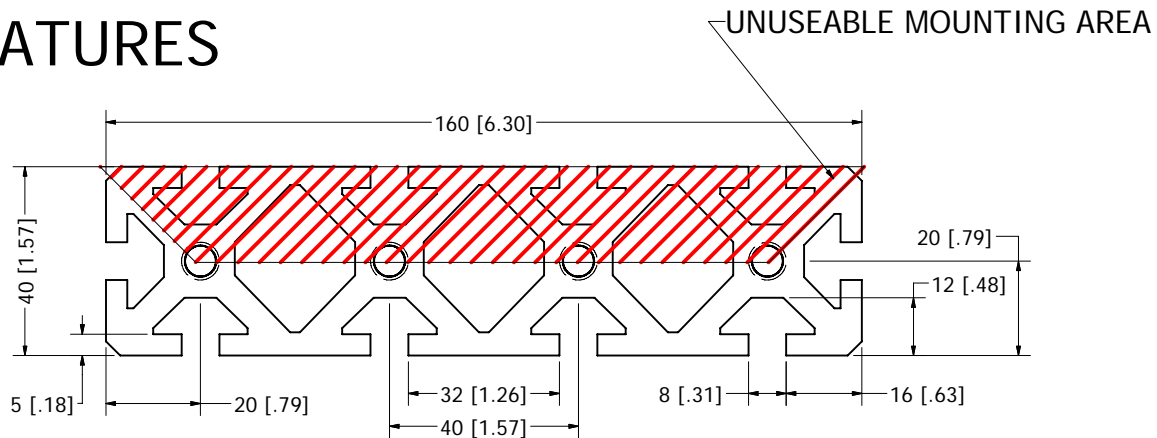
MATERIAL:  
FINISH:

3RD ANGLE PROJECTION STD. RAW STOCK COMERL. TOL. APPLY BREAK ALL SHARP EDGES DIMENSIONAL LIMITS APPLY AFTER FINISH MACHINED TYP ALL SURFACES UNLESS OTHERWISE SPECIFIED ALL DIMENSIONS IN MILLIMETERS ALL DIMENSIONS IN [ ] ARE IN INCHES -TOLERANCES UNLESS SPECIFIED- ANGULAR 0°-30° FRACTIONAL ± 0.40 [1/64] DECIMAL 1 PLC ± 0.3 [0.01] DECIMAL 2 PLC ± 0.13 [0.005]			THIS DRAWING IS THE PROPERTY OF MACRON DYNAMICS. ANY REPRODUCTIONS SHALL BE FOR QUOTATION, MANUFACTURING, OR PURCHASING PURPOSES ONLY. RELEASE OF DRAWINGS TO OTHER CONCERNS DOES NOT CONSTITUTE LICENSING IN ANY WAY. INFORMATION CONTAINED HEREIN IS PROPRIETARY AND CONFIDENTIAL.	
			TITLE <b>MACRON DUAL RAIL SCREW TABLE</b>	
DRAWN AB	DATE 4/1/2008	DWG. NO. MSA-DRT	REV	SHEET 1 OF 9
CHECKED LTM	APPROVED TC	DO NOT SCALE DRAWING		

# CART TOP MOUNTING FEATURES



# SCREW TABLE BASE MOUNTING FEATURES

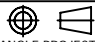



Sold & Serviced By:



**ELECTROMATE**

Toll Free Phone (877) SERV098  
 Toll Free Fax (877) SERV099  
[www.electromate.com](http://www.electromate.com)  
[sales@electromate.com](mailto:sales@electromate.com)

 3RD ANGLE PROJECTION STD. RAW STOCK COMERL. TOL. APPLY BREAK ALL SHARP EDGES DIMENSIONAL LIMITS APPLY AFTER FINISH MACHINED <sup>Ø</sup> TYP ALL SURFACES UNLESS OTHERWISE SPECIFIED ALL DIMENSIONS IN MILLIMETERS ALL DIMENSIONS IN [ ] ARE IN INCHES -TOLERANCES UNLESS SPECIFIED- ANGULAR 0°-30° FRACTIONAL ±0.40 [1/64] DECIMAL 1 PLC ±0.3 [0.01] DECIMAL 2 PLC ±0.13 [0.005]	
DRAWN AB	DATE 4/1/2008
CHECKED LTM	APPROVED TC

 <b>MACRON DYNAMICS INC</b>	
DWG. NO.	REV
MSA-DRT	
DO NOT SCALE DRAWING	

THIS DRAWING IS THE PROPERTY OF MACRON DYNAMICS. ANY REPRODUCTIONS SHALL BE FOR QUOTATION, MANUFACTURING, OR PURCHASING PURPOSES ONLY. RELEASE OF DRAWINGS TO OTHER CONCERNS DOES NOT CONSTITUTE LICENSING IN ANY WAY. INFORMATION CONTAINED HEREIN IS PROPRIETARY AND CONFIDENTIAL.	
TITLE <b>MACRON DUAL RAIL SCREW                  TABLE</b>	
DWG. NO.	REV
MSA-DRT	
DO NOT SCALE DRAWING	

MATERIAL:  
FINISH: