



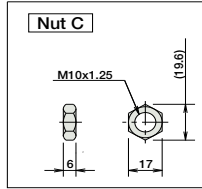
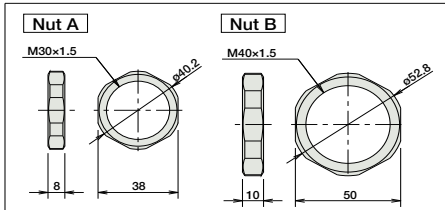
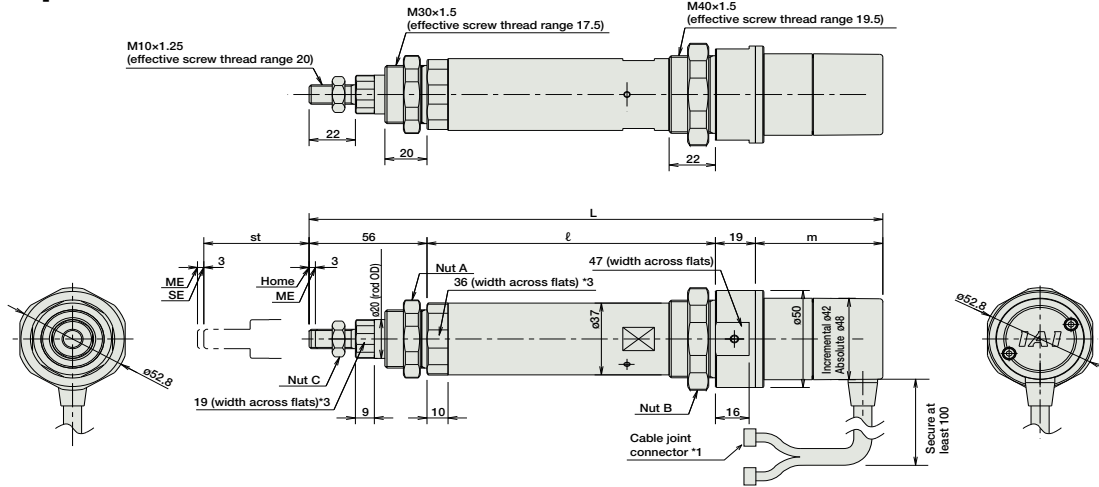
Dimensions

For Special Order P. A-9

- \*1 A motor-encoder cable is connected here. See page A-39 for details on cables.
- \*2 When homing, the rod moves to the ME; therefore, please watch for any interference with the surrounding objects.  
ME: Mechanical end SE: Stroke end

- \*3. The orientation of the bolt will vary depending on the product.

[No Brake]



■ Dimensions/Weight by Stroke

		RCA-RA4D (without brake)						
		Stroke	50	100	150	200	250	300
L	20W	Increment.	257.5	307.5	357.5	407.5	457.5	507.5
		Absol.	270.5	320.5	370.5	420.5	470.5	520.5
	30W	Increment.	272.5	322.5	372.5	422.5	472.5	522.5
		Absol.	285.5	335.5	385.5	435.5	485.5	535.5
		$\ell$	137	187	237	287	337	387
m	20W	Increment.	45.5					
		Absol.	58.5					
	30W	Increment.	60.5					
		Absol.	73.5					
Weight (kg)			1.0	1.2	1.3	1.5	1.6	1.8

Brake-equipped configuration is not available with the RCA-RA4D.

③ Compatible Controllers

The RCA series actuators can operate with the controllers below. Select the controller according to your usage.

Name	External View	Model	Description	Max. Positioning Points	Input Voltage	Power Supply Capacity	Standard Price	See Page
Solenoid Valve Type		AMEC-C-20I-2 NP-2-1	Easy-to-use controller, even for beginners	3 points	AC100V	2.4A rated	-	→ P477
		AMEC-C-30I-2 NP-2-1						
Splash-Proof Solenoid Valve Type		ASEP-C-20I-2 NP-2-0	Operable with same signal as solenoid valve. Supports both single and double solenoid types. No homing necessary with simple absolute type.	3 points	AC100V	2.4A rated	-	→ P487
		ASEP-C-30I-2 NP-2-0						
Positioner Type		ACON-C-20I-2 NP-2-0	Positioning is possible for up to 512 points	512 points	AC100V	2.4A rated	-	-
Safety-Compliant Positioner Type		ACON-C-30I-2 NP-2-0						
Pulse Train Input Type (Differential Line Driver)		ACON-PL-20I-2 NP-2-0	Pulse train input type with differential line driver support	(-)	DC24V	20W 1.3A rated 4.4A peak	-	→ P535
Pulse Train Input Type (Open Collector)		ACON-PL-30I-2 NP-2-0						
Serial Communication Type		ACON-SE-20I-2 N-0-0	Dedicated to serial communication	64 points	DC24V	30W 1.3A rated 4.4A peak	-	-
Field Network Type		ACON-SE-30I-2 N-0-0						
Field Network Type		RACON-202	Dedicated to field network	768 points	DC24V	30W 1.3A rated 4.4A peak	-	→ P503
Field Network Type		RACON-302						
Program Control Type		ASEL-C-1-20-3/2 NP-2-0	Programmed operation is possible. Operation is possible on up to 2 axes	1500 points	DC24V	30W 1.3A rated 4.4A peak	-	→ P567
Program Control Type		ASEL-C-1-30-3/2 NP-2-0						

\* This is for the single-axis ASEL.  
 \* ① is a placeholder for the encoder type (I: incremental/A: absolute).  
 \* ② is a placeholder for the code "LA" if the power-saving option is specified.

- Slider Type
- Mini
- Standard
- Controllers Integrated
- Rod Type
- Mini
- Standard
- Controllers Integrated
- Table/Arm /Flat Type
- Mini
- Standard
- Gripper/ Rotary Type
- Linear Servo Type
- Cleanroom Type
- Splash Proof
- Controllers
- PMEC /AMEC
- PSEP /ASEP
- ROBO NET
- ERC2
- PCON
- ACON
- SCON
- PSEL
- ASEL
- SSEL
- XSEL
- Pulse Motor
- Servo Motor (24V)
- Servo Motor (200V)
- Linear Servo Motor