

ERC3-RA6C

● Rod type

● Actuator Width 64mm

Model Specification Items

ERC3-RA6C-I-56P

Series — Type — Encoder type — Motor type — Lead — Stroke — I/O type — Cable length — Controller type — Option

I: Incremental specification
 56P: Pulse motor, size 56□
 24: 24mm
 16: 16mm
 8: 8mm
 4: 4mm
 50: 50mm
 7
 300: 300mm
 (Can be set in 50-mm increments)
 NP: PIO (NPN) type
 PN: PIO (PNP) type
 SE: SIO type
 PLN: Pulse-train (NPN) type
 PLP: Pulse-train (PNP) type
 N: None
 P: 1m
 S: 3m
 M: 5m
 X□□: Specified length
 CN: CON type
 MC: MEC type
 B: Brake
 NM: Non-motor side specification
 ABU: Simple absolute specification
 FL: Flange
 FT: Foot bracket

*Refer to P. 14 for the description of items constituting the model number.



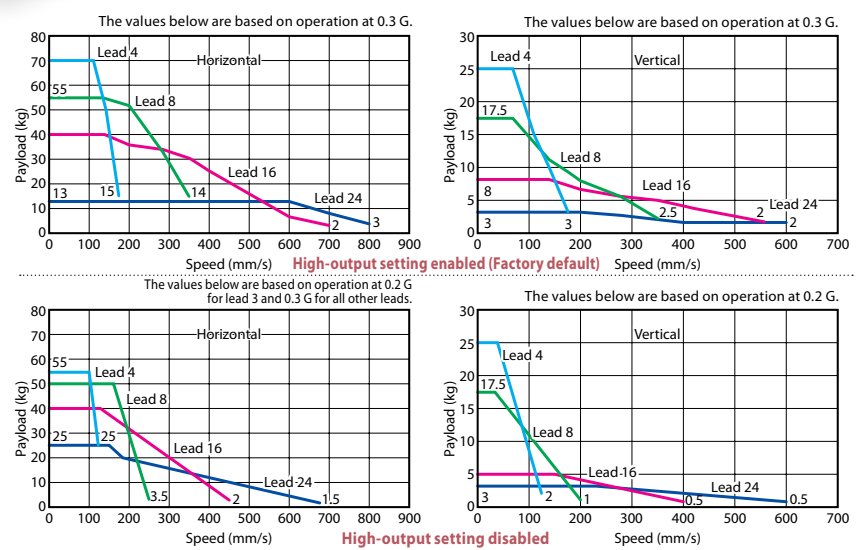
Unit: mm

Correlation diagrams of Speed and Payload

With the ERC3 series, due to the characteristics of the pulse motor, payload decreases as the speed increases. Use the chart below to confirm that the desired speed and payload requirements are met.

POINT Notes on selection

If the high-output setting is enabled (factory default), the duty must be limited. (Refer to P. 16.) If the high-output setting is disabled, the payload and maximum speed become lower, but the actuator can be used at a duty of 100%. Refer to the operation manual for information on how to change the high-output setting. Refer to P. 26 for the payload at each speed/acceleration when the high-output setting is enabled. For other cautionary items, refer to "Explanations of/Cautionary Notes on Items Specified in Catalog (P. 15)."



Actuator Specifications (High-output Setting Enabled)

Leads and Payloads (Note 1) Take caution that the maximum payload decreases as the speed increases.

Model number	Lead (mm)	Maximum payload (Note 1)		Maximum push force (N)	Stroke (mm)
		Horizontal (kg)	Vertical (kg)		
ERC3-RA6C-I-56P-24-①-②-③-④	24	13	3	182	50~300 (every 50 mm)
ERC3-RA6C-I-56P-16-①-②-③-④	16	40	8	273	
ERC3-RA6C-I-56P-8-①-②-③-④	8	55	17.5	547	
ERC3-RA6C-I-56P-4-①-②-③-④	4	70	25	1094	

Legend ① Stroke ② I/O type ③ Cable length ④ Option

Stroke and Maximum Speed

Stroke Lead	Maximum Speed	
	50~200 (every 50mm)	300 (mm)
24	800 <600>	
16	700 <560>	
8	420	400
4	210 <175>	200 <175>

The values in <> apply when the actuator is used vertically. (Unit: mm/s)

① Stroke

Stroke (mm)	Standard price
50	—
100	—
150	—
200	—
250	—
300	—

③ Cable length

Type	Cable symbol	Standard price	
		PIO type	SIO type
Standard type (Robot cable)	P (1m)	—	—
	S (3m)	—	—
	M (5m)	—	—
Special length	X06(6m)~X10(10m)	—	—

*Refer to P. 36 for maintenance cables.

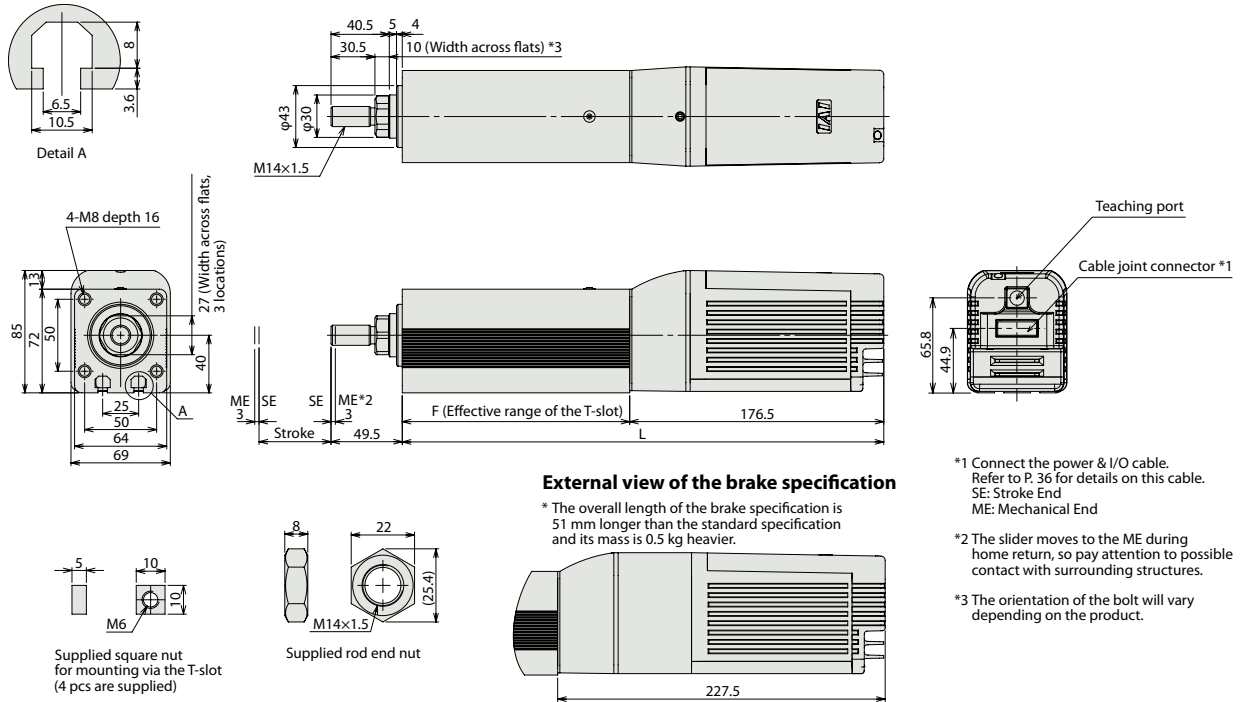
④ Options

Name	Option code	See page	Standard price
Brake	B	→P15	—
Non-motor side specification	NM	→P15	—
Simple absolute specification	ABU	→P15	—(*)
Flange	FL	→P15	—
Foot bracket	FT	→P15	—

(*) If the simple absolute specification is selected, the separately sold PIO converter of simple absolute specification (with battery) is required.

Dimensional Drawings

* If the non-motor side (NM) specification is selected, the dimension on the motor side (the distance to the home from ME) and that on the front side are flipped.



*1 Connect the power & I/O cable. Refer to P. 36 for details on this cable. SE: Stroke End ME: Mechanical End

*2 The slider moves to the ME during home return, so pay attention to possible contact with surrounding structures.

*3 The orientation of the bolt will vary depending on the product.

External view of the brake specification

* The overall length of the brake specification is 51 mm longer than the standard specification and its mass is 0.5 kg heavier.

Actuator specification

Item	Description
Drive system	Ball screw ø12mm, rolled C10
Positioning repeatability (*1)	± 0.02 mm [± 0.03 mm]
Lost motion	0.1 mm or less [0.2 mm or less]
Rod diameter	ø30 mm
Rod non-rotation preciseness	±1.0 degrees
Ambient operating temperature, humidity	0 to 40°C, 85% RH or less (Non-condensing)

(*1)The specification in [] applies when the lead is 24 mm.

Dimensions and Mass by Stroke

Stroke	50	100	150	200	250	300
L	334.5	384.5	434.5	484.5	534.5	584.5
F	158	208	258	308	358	408
Mass (kg)	3.9	4.4	4.9	5.4	5.9	6.4

Controllers (Built into the Actuator)

I/O type

With the ERC3 series, one of the following five types of built-in controllers can be selected depending on the external input/output (I/O) type. Select the type that meets your purpose.

Name	External view	Model number	Features	Maximum number of positioning points	Input power	Power supply capacity	Standard price	Reference page
PIO type (NPN specification)		ERC3-RA6C-I-56P-□-□-NP-□-□	Simple control type accommodating up to 16 positioning points	16	DC24V	High-output setting enabled: 3.5A rated 4.2A max. High-output setting disabled: 2A	—	→P27
PIO type (PNP specification)		ERC3-RA46C-I-56P-□-□-PN-□-□	PNP I/O type	16				
SIO type		ERC3-RA6C-I-56P-□-□-SE-□-□	High-function type accommodating up to 512 positioning points (PIO converter is used)	512				
Pulse-train type (NPN specification)		ERC3-RA6C-I-56P-□-□-PLN-□-□	Pulse-train input type supporting the NPN specification	—				
Pulse-train type (PNP specification)		ERC3-RA6C-I-56P-□-□-PLP-□-□	Pulse-train input type supporting the PNP specification	—				