

# Smart Edge HMI

JSmart Series

Issue 48  
2019/2020

Sold & Serviced By:



Toll Free Phone (877) SERV098  
Toll Free Fax (877) SERV099  
[www.electromate.com](http://www.electromate.com)  
[sales@electromate.com](mailto:sales@electromate.com)



## JSmart Series

When aesthetics and functionality meet, the market changes



- from 5.0" to 21.5" TFT color display,
- up to a resolution 1920x1080 pixel with 16M colors, dimmable backlight
- PCAP Touchscreen Multitouch with swiping and zooming
- 10/100 Ethernet port PoE single cable for power and ethernet
- Wi-Fi Connection
- up to a ARM Cortex-A9 quad core CPU
- Full IP67 protection; ideal for mounting-arm installation right at the machine
- Mounts on 22 mm hole
- Includes environment and motion sensors
- Can be used with cable up to 100 m distance from source

Every once and a while a new product arrives that changes the market. It influences the perspective of all participants by encouraging them to question the status quo. And challenging that which has been done before is when innovation leads to a lasting difference being created.

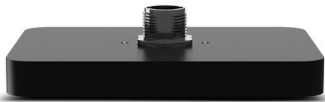
EXOR International would like to invite you on this journey of imagination and discovery by introducing the JSmart family of **Smart HMI Field Devices**. A product that seems as if from the consumer world of smartphones, tablets and PCs and yet a robust industrial grade product that will last multiple years.

We have worked for many years to redesign nearly 80% of the internal components on the board to accommodate an incredibly beautiful and slim casing. Looking at the product from any angle there is a sense of tranquillity and purity that belies the potent technology that lies beneath.

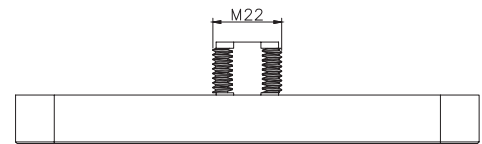
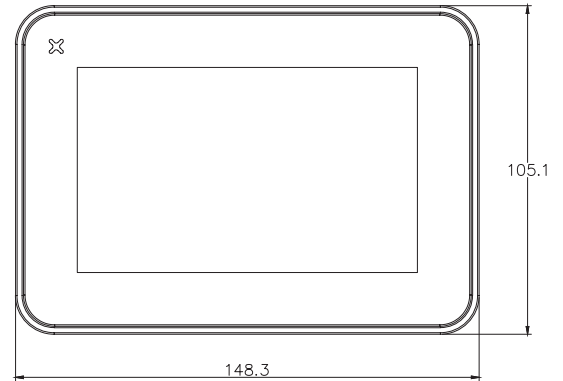
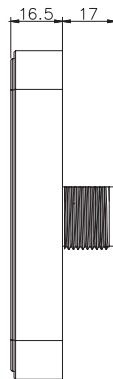
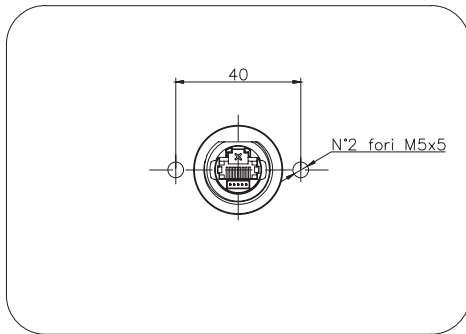
Up to a quad-core Cortex A9, multi-touch and robust glass front, a full set of motion and environment sensors and wifi interface all add up to provide you with a vast possibility of applications.

**Challenge what has come before.**

# JSmart705 - Technical Data



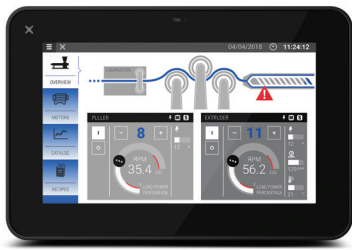
System Resources	
Display - Colors	5" TFT – 16M
Resolution	800x480
Brightness	300 cd/m <sup>2</sup> typ.
Dimming	to 0%
Touchscreen	Projected capacitive – Multitouch
CPU	ARM Cortex-A9 dual core - 800 MHz
Operating System	Linux RT
Flash	4 GB
RAM	1 GB
FRAM	64 KB
Real Time Clock, RTC Back-up	Yes
Interface	
Ethernet port	10/100 PoE
USB port	1 (Host V2.0, max. 500 mA, available with special cable)
LED	1 RGB
Sensors	Temperature, 3-Axis Accelerometer
Buzzer	Yes
Ratings	
Power supply	IEEE 802.3af PoE
Power Consumption	6 W
Battery	Yes (rechargeable)
Environment Conditions	
Operating Temp	-20° to +55° C (vertical installation)
Storage Temp	-30°C to +80°C
Operating / Storage Humidity	5-85% RH, non-condensing
Protection Class	IP67 (requires appropriate accessories and cables)
Dimensions and Weights	
Faceplate LxH	148.3x105.1 mm (5.83x 4.13")
Depth D+T+T	16.5 mm (0.06")
Weight	0.5 Kg
Approvals	
CE	Emission EN 61000-6-4, Immunity EN 61000-6-2 for installation in industrial environment
UL	cULus: UL61010-1 / UL61010-2-201



## Ordering Information

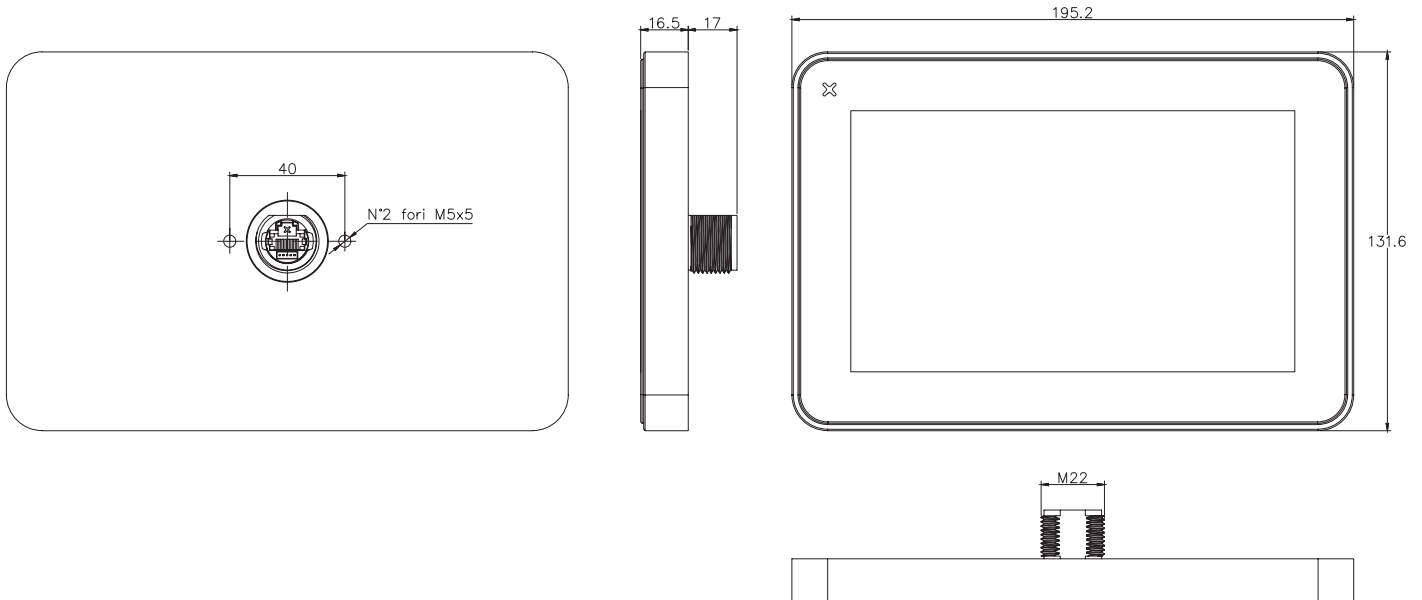
Model	Part Number	Description
JSmart705	+JS705BA0U5P1	Field-ready HMI 5" TFT with PCAP touchscreen

# JSmart707 - Technical Data



System Resources	
Display - Colors	7" TFT – 16M
Resolution	1024x600
Brightness	400 cd/m <sup>2</sup> typ.
Dimming	to 0%
Touchscreen	Projected Capacitive – Multitouch
CPU	ARM Cortex-A9 dual core - 800 MHz
Operating System	Linux RT
Flash	4 GB
RAM	1 GB
FRAM	64 KB
Real Time Clock, RTC Back-up	Yes
Interface	
Ethernet port	10/100 PoE
USB port	1 (Host V2.0, max. 500 mA, available with special cable)
LED	1 RGB
Sensors	Temperature, 3-Axis Accelerometer
Wi-Fi*	IEEE 802.11a/b/g
Buzzer	Yes
Ratings	
Power supply	IEEE 802.3af PoE
Power Consumption	9 W
Battery	Yes (rechargeable)
Environment Conditions	
Operating Temp	-20° to +55° C (vertical installation)
Storage Temp	-30°C to +80°C
Operating / Storage Humidity	5-85% RH, non-condensing
Protection Class	IP67 (requires appropriate accessories and cables)
Dimensions and Weights	
Faceplate LxH	195.2x131.6 mm (7.68x5.18")
Depth D+T+T	16.5 mm (0.06")
Weight	0.7 Kg
Approvals	
CE	Emission EN 61000-6-4, Immunity EN 61000-6-2 for installation in industrial environment
UL	cULus: UL61010-1 / UL61010-2-201

\*Awaiting certifications in 2019



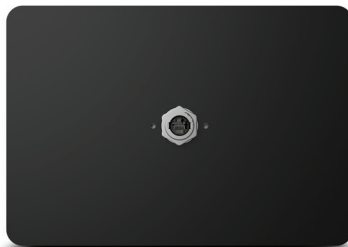
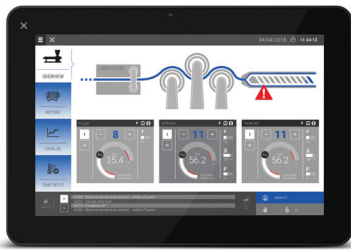
## Ordering Information

Model	Part Number	Description
JSmart707	+JS707BB1U5P1	Field-ready HMI 7" TFT with PCAP touchscreen, Ethernet port PoE

Sold & Serviced By:

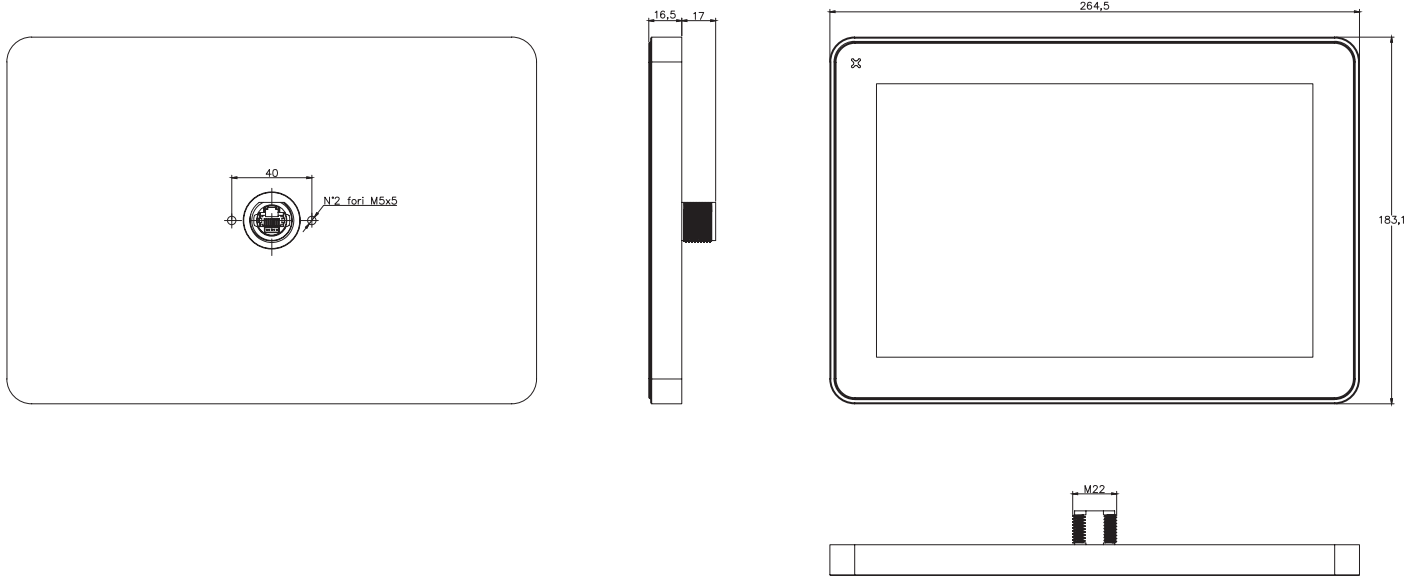


# JSmart710 - Technical Data



System Resources	
Display - Colors	10.1" TFT – 16M
Resolution	1280x800
Brightness	400 cd/m <sup>2</sup> typ.
Dimming	to 0%
Touchscreen	Projected Capacitive – Multitouch
CPU	ARM Cortex-A9 dual core - 800 MHz
Operating System	Linux RT
Flash	4 GB
RAM	1 GB
FRAM	64 KB
Real Time Clock, RTC Back-up	Yes
Interface	
Ethernet port	10/100 PoE
USB port	1 (Host V2.0, max. 500 mA, available with special cable)
LED	1 RGB
Sensors	Temperature, 3-Axis Accelerometer
Wi-Fi*	IEEE 802.11a/b/g
Buzzer	Yes
Ratings	
Power supply	IEEE 802.3af PoE
Power Consumption	12 W
Battery	Yes (rechargeable)
Environment Conditions	
Operating Temp	-20° to +55° C (vertical installation)
Storage Temp	-30°C to +80°C
Operating / Storage Humidity	5-85% RH, non-condensing
Protection Class	IP67 (requires appropriate accessories and cables)
Dimensions and Weights	
Faceplate LxH	264.5x183.1 mm (10.41x7.20")
Depth D+T+T	16.5 mm (0.06")
Weight	1.2 Kg
Approvals	
CE	Emission EN 61000-6-4, Immunity EN 61000-6-2 for installation in industrial environment
UL	cULus: UL61010-1 / UL61010-2-201

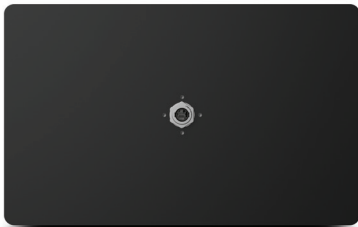
\*Awaiting certifications in 2019



## Ordering Information

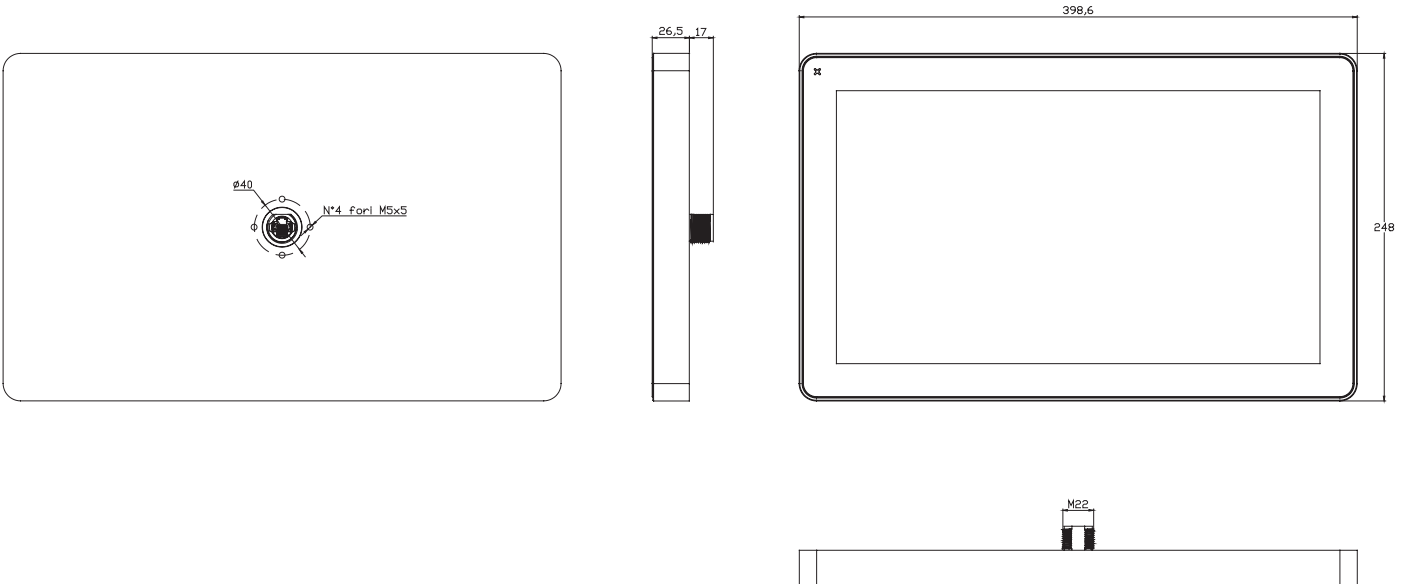
Model	Part Number	Description
JSmart710	+JS710BC1U5P1	Field-ready HMI 10.1" TFT with PCAP touchscreen, Ethernet port PoE

# JSmart715 - Technical Data



System Resources	
Display - Colors	15.6" TFT – 16M
Resolution	1366x768
Brightness	400 cd/m <sup>2</sup> typ.
Dimming	to 0%
Touchscreen	Projected Capacitive – Multitouch
CPU	ARM Cortex-A9 quad core - 800 MHz
Operating System	Linux RT
Flash	8 GB
RAM	2 GB
FRAM	64 KB
Real Time Clock, RTC Back-up	Yes
Interface	
Ethernet port	10/100 PoE
USB port	1 (Host V2.0, max. 500 mA, available with special cable)
LED	1 RGB
Sensors	Temperature, 3-Axis Accelerometer
Wi-Fi*	IEEE 802.11a/b/g
Buzzer	Yes
Ratings	
Power supply	IEEE 802.3at PoE+
Power Consumption	19 W
Battery	Yes (rechargeable)
Environment Conditions	
Operating Temp	-20° to +55° C (vertical installation)
Storage Temp	-30°C to +80°C
Operating / Storage Humidity	5-85% RH, non-condensing
Protection Class	IP67 (requires appropriate accessories and cables)
Dimensions and Weights	
Faceplate LxH	398.6x248 mm (15.69x 9.76")
Depth D+T+T	26.5 mm (1.04")
Weight	4.0 Kg
Approvals	
CE	Emission EN 61000-6-4, Immunity EN 61000-6-2 for installation in industrial environment
UL	cULus: UL61010-1 / UL61010-2-201

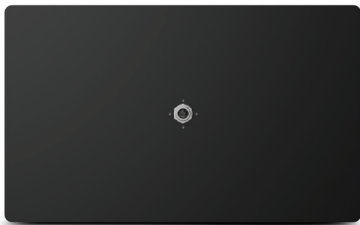
\*Awaiting certifications in 2019



## Ordering Information

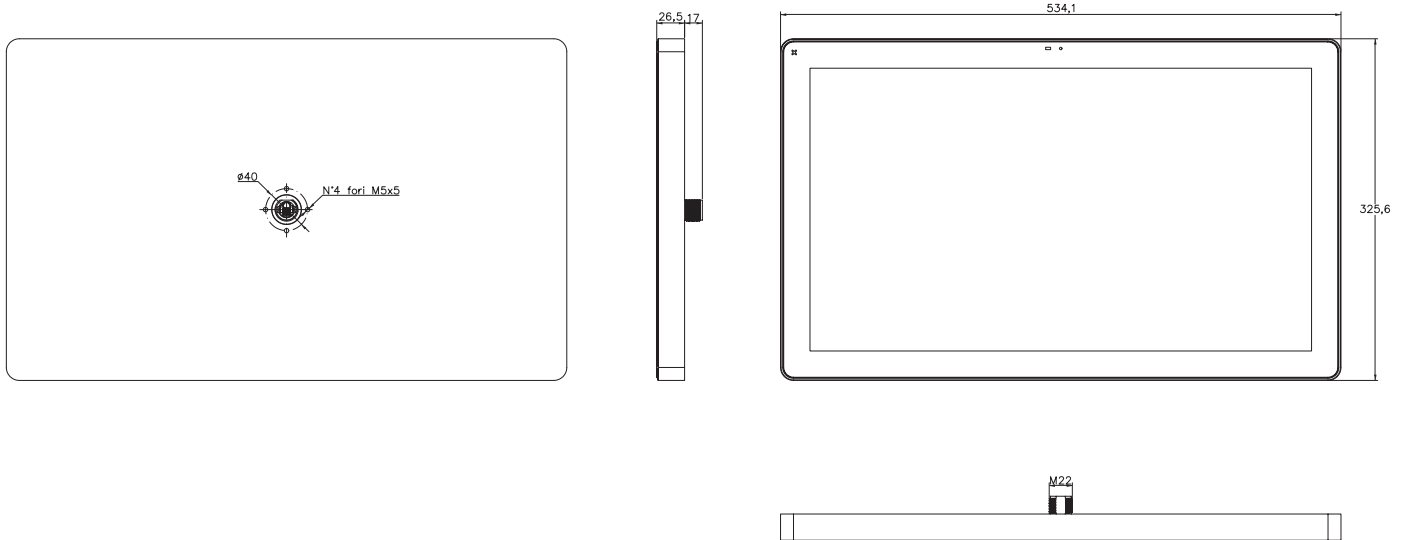
Model	Part Number	Description
JSmart715	+JS715CD1U5P1	Field-ready HMI 15.6" 1366x768 TFT with PCAP touchscreen, Ethernet port PoE

# JSmart721 - Technical Data



System Resources	
Display - Colors	21.5" TFT – 16M
Resolution	1920x1080
Brightness	400 cd/m <sup>2</sup> typ.
Dimming	to 0%
Touchscreen	Projected Capacitive – Multitouch
CPU	ARM Cortex-A9 quad core - 800 MHz
Operating System	Linux RT
Flash	8 GB
RAM	2 GB
FRAM	64 KB
Real Time Clock, RTC Back-up	Yes
Interface	
Ethernet port	10/100 PoE
USB port	1 (Host V2.0, max. 500 mA, available with special cable)
LED	1 RGB
Sensors	Temperature, 3-Axis Accelerometer
Wi-Fi*	IEEE 802.11a/b/g
Buzzer	Yes
Ratings	
Power supply	IEEE 802.3bt 4PPoE
Power Consumption	32 W
Battery	Yes (rechargeable)
Environment Conditions	
Operating Temp	-20° to +55° C (vertical installation)
Storage Temp	-30°C to +80°C
Operating / Storage Humidity	5-85% RH, non-condensing
Protection Class	IP67 (requires appropriate accessories and cables)
Dimensions and Weights	
Faceplate LxH	534.1x325.6 mm (21.02x 12.81")
Depth D+T+T	26.5 mm (1.04")
Weight	6.0 Kg
Approvals	
CE	Emission EN 61000-6-4, Immunity EN 61000-6-2 for installation in industrial environment
UL	cULus: UL61010-1 / UL61010-2-201

\*Awaiting certifications in 2019



## Ordering Information

Model	Part Number	Description
JSmart721	+JS721CE1U5P1	Field-ready HMI 21.5" 1920x1080 TFT with PCAP touchscreen, Ethernet port PoE

Sold & Serviced By:

 **ELECTROMATE**

Toll Free Phone (877) SERV098  
Toll Free Fax (877) SERV099  
[www.electromate.com](http://www.electromate.com)  
[sales@electromate.com](mailto:sales@electromate.com)



# JSmart Applications

Choose the panel size and technical specifications applicable for your needs

Look through the Application examples provided to help with imagining how to use the JSmart

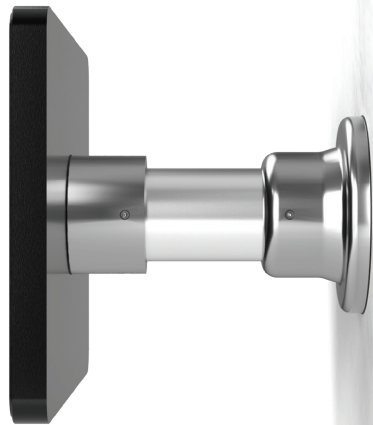
Consult the pages on brackets, cables and PoE

Enhance the experience of working each day with a new Smart HMI Field



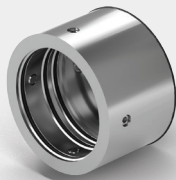
## Tube Attachments for JSmart705, 707, 710

Designed for direct tube fitting or more complex curving is required this application will work with the 5,7 and 10 inch panels. IP67 is achievable with this application.



The components you need for this application:

Tube Bracket



Ordering Code: +JSBRU001

Tube Bracket



Ordering Code: +JSBRU002

PoE Injector  
DIN or Panel Mount



Choose your solution on p.104

Cable



Choose your solution on p.108

## Tube Attachments for JSmart715 and 721

Designed for direct tube fitting or more complex curving is required this application will work with the 15 and 21 inch panels. IP67 is achievable with this application.



The components you need for this application:

Tube Bracket



Ordering Code: +JSBRU002

PoE Injector  
DIN or Panel Mount



Choose your solution on p.104

Cable



Choose your solution on p.108

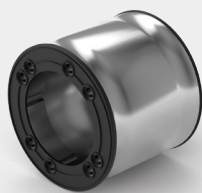
## Wall Attachment for JSmart705, 707, 710

When a simple yet sturdy attachment to a wall or cabinet is required, this application is suitable. All without losing the importance the JSmart flat casing. IP67 is achievable with this application.



The components you need for this application:

Wall Bracket



Ordering Code: +JSBRU003

PoE Injector  
DIN or Panel Mount



Choose your solution on p.104

Cable



Choose your solution on p.108

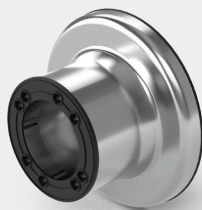
## Wall Attachment for JSmart715 and 721

When a simple yet sturdy attachment to a wall or cabinet is required, this application is suitable. All without losing the importance the JSmart flat casing. IP67 is achievable with this application.



The components you need for this application:

**Wall Bracket**



Ordering Code: +JSBRU004

**PoE Injector**  
DIN or Panel Mount



Choose your solution on p.104

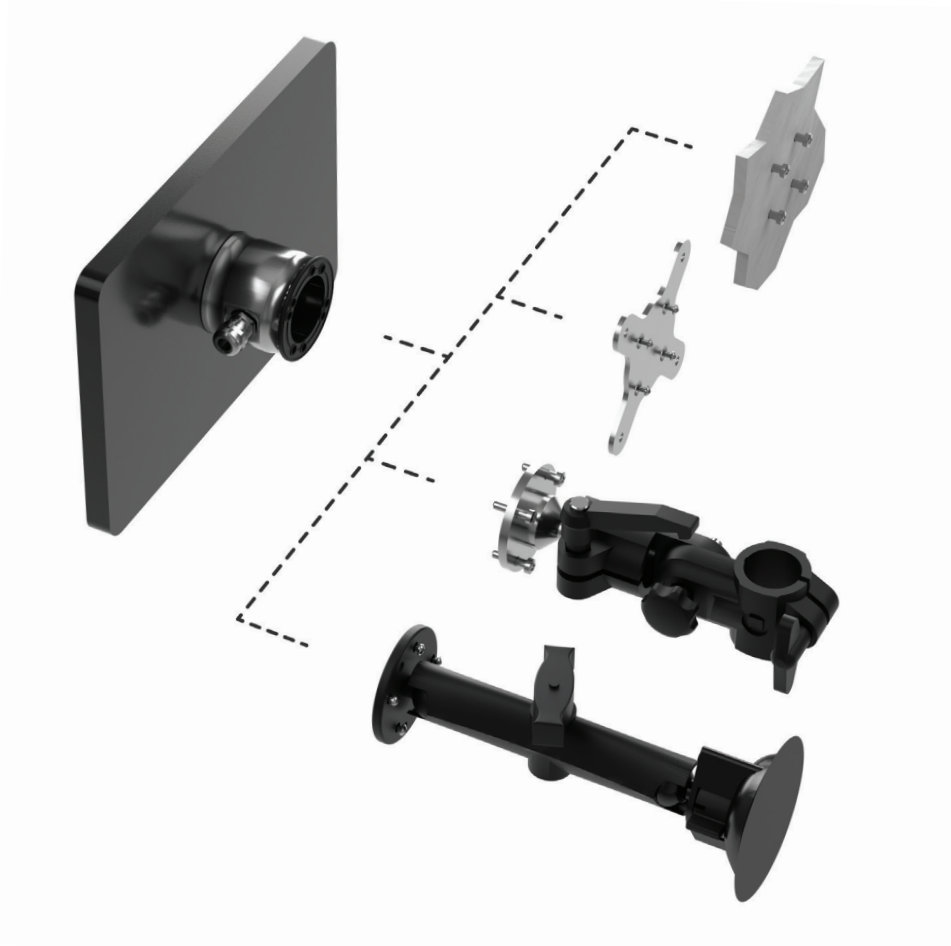
**Cable**



Choose your solution on p.108

## Multi-use Attachments for JSmart705, 707, 710

With some universal types of arms the passage of the ethernet cable is impeded. We provide a side output with a special cable. IP67 is achievable with this application.



The components you need for this application:

Multi-use Bracket  
with cable gland



Ordering Code: +JSBRU009

JSmart VESA  
for Adapter Bracket



Ordering Code: +JSBRU008

PoE Injector  
DIN or Panel Mount



Choose your solution on p.104

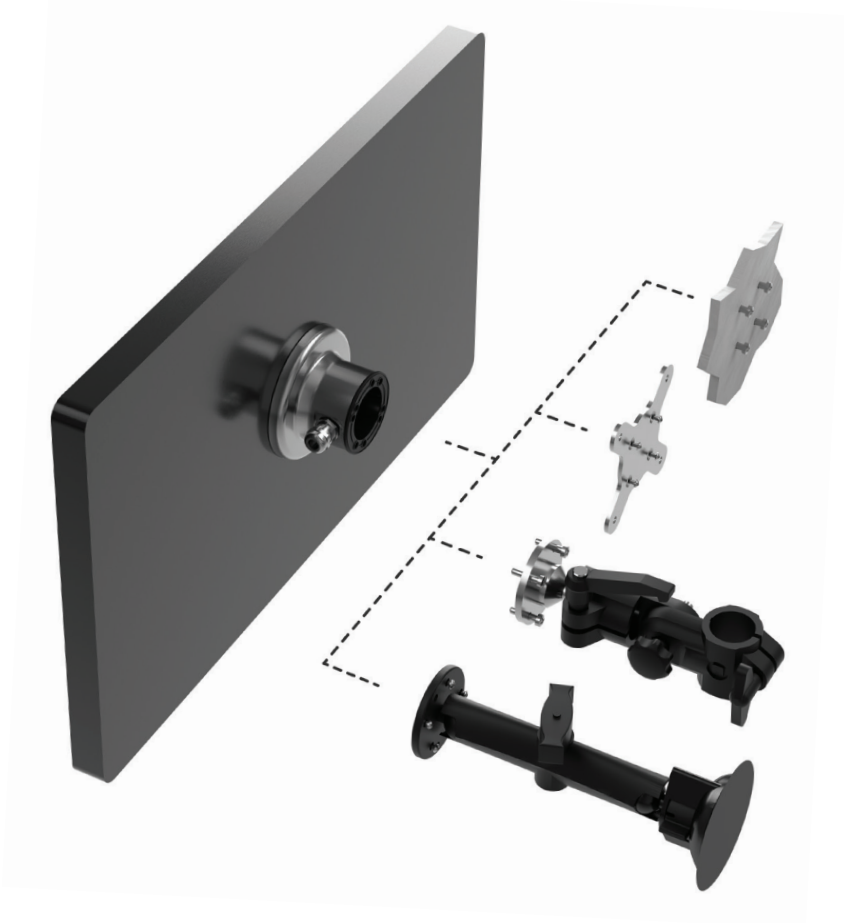
Ethernet Cable



Choose your solution on p.108

## Multi-use Attachments for JSmart715 and 721

With some universal types of arms the passage of the ethernet cable is impeded. We provide a side output with a special cable. IP67 is achievable with this application.



The components you need for this application:

**Multi-use Bracket  
with cable gland**



Ordering Code: +JSBRU010

**JSmart VESA  
for Adapter Bracket**



Ordering Code: +JSBRU008

**PoE Injector  
DIN or Panel Mount**



Choose your solution on p.104

**Ethernet Cable**



Choose your solution on p.108



## Table Stand for JSmart all sizes

The JSmart is the quintessential "Stupid Web Browser". Except that it can be used in the heat and dust of the factory floor and last for years. This desktop table stand and USB cable for mouse permits this use in a highly stylish manner. IP67 is achievable with this application.



The components you need for this application:

JSmart Table Stand



Ordering Code: +JSBRU006

PoE Injector  
DIN or Panel Mount



Choose your solution on p.104

Cable PoE - USB

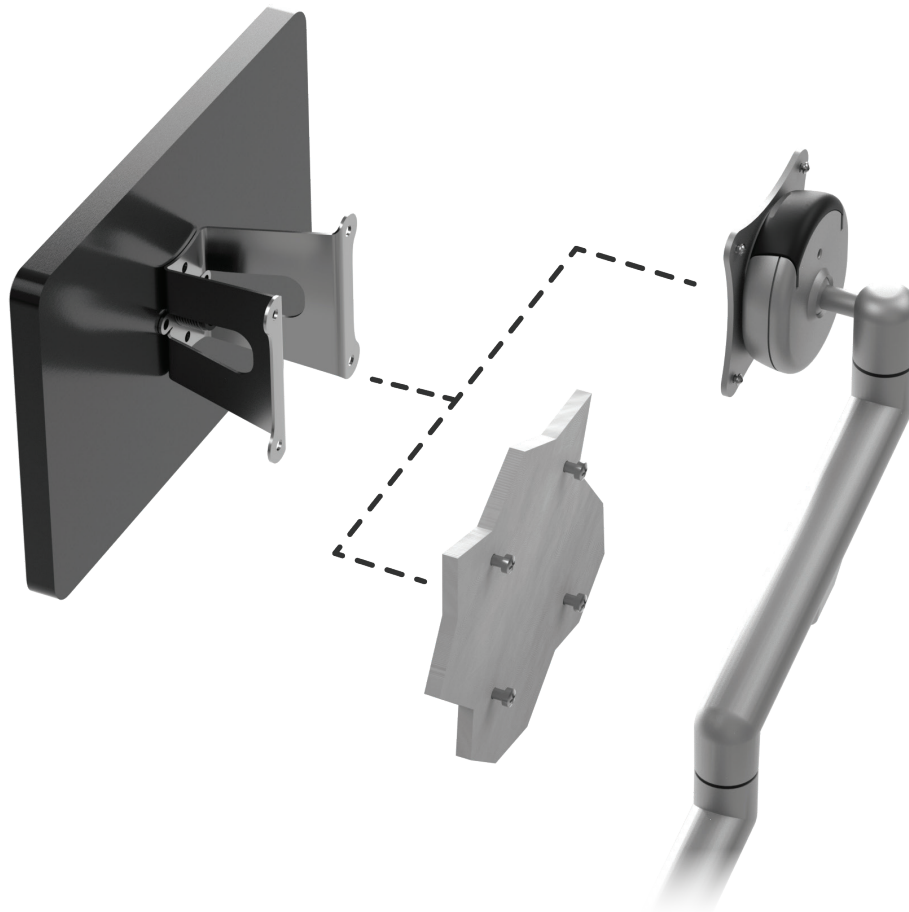


Ordering Code: +JSCAU003



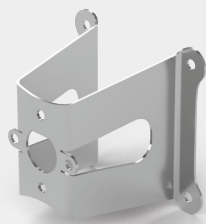
## VESA Attachment for JSmart all sizes

In the very basic of situations where there is no need for the cable to be passed through the wall, this bracket can be used. IP67 is achievable with this application.



The components you need for this application:

JSmart VESA Bracket



Ordering Code: +JSBRU005

PoE Injector  
DIN or Panel Mount



Choose your solution on p.104

Cable



Choose your solution on p.108

## Gooseneck Attachment for JSmart705, 707, 710

The gooseneck permits the JSmart to be used in many different situations, far away from the industrial environment.



The components you need for this application:

Gooseneck Bracket



Ordering Code: +JSBRU007

PoE Injector  
DIN or Panel Mount



Choose your solution on p.104

# JSmart Accessories

## PoE Injectors

You can choose between the JSmart PoE Injector DIN rail mounting and the JSmart PoE Injector Panel mounting.

JSmart PoE Injector  
DIN rail mounting



Ordering Code: +JSPOU0P1

JSmart PoE Injector  
Panel mounting

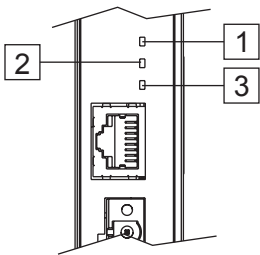


Ordering Code: +JSPOU0P2

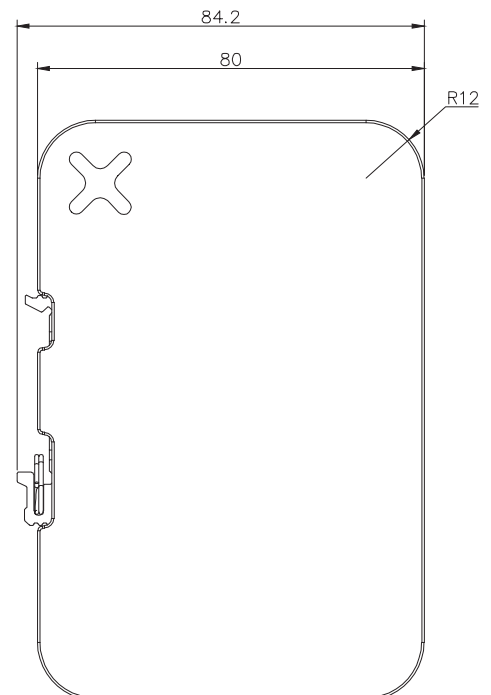
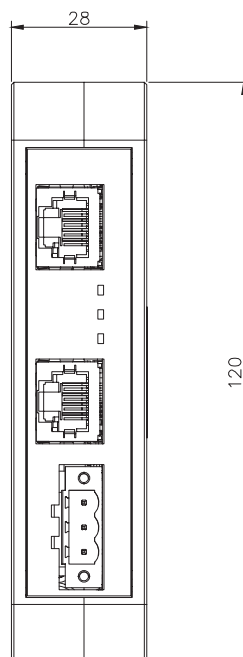
# JSmart PoE Injector DIN rail mounting - Technical Data



Features	
PoE Standard	IEEE 802.3af/at
Output Power	36W max
DC Output Voltage	+54 VDC
Data rates	10/100
Interface	
Ethernet IN port	10/100
Ethernet OUT port	10/100 PoE
Diagnostic LEDs	3
Ratings	
Power Supply	+24 VDC (18-32 VDC)
Current Consumption	2.0 A at 24 VDC (max.)
Efficiency	80% typ
Over Voltage / Current Protection	Yes
Short Circuit Protection	Yes
Reverse Polarity	Yes
Environment Conditions	
Operating Temp	-20°C to +55° C
Storage Temp	-30°C to +80°C
Operating / Storage Humidity	5-85% RH, non-condensing
Protection Class	IP20 EN60529
Dimensions and Weights	
Faceplate LxH	80x120 mm
Depth D	28 mm
Weight	350 g
Approvals	
CE	Emission EN 61000-6-4, Immunity EN 61000-6-2 for installation in industrial environment
cULus	cULus: UL61010-1 / UL61010-2-201



LED	Color	Specifications
1	Red	Fault
2	Green	Status: PoE running
	Red, slow blink	Status: Over-load
	Red, fast blink	Status: Over-temperature
3	Green	Power ON



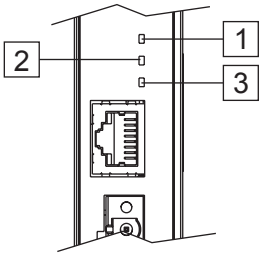
## Ordering Information

Model	Part Number	Description
JSmart PoE	+JSPOU0P1	JSmart PoE Injector DIN rail mounting

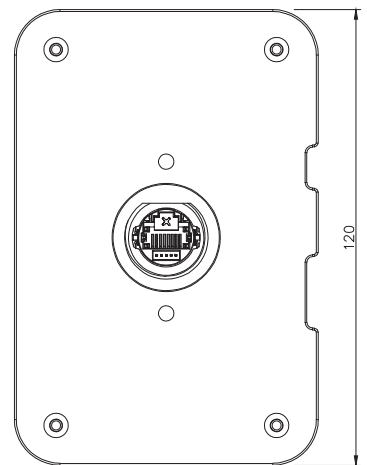
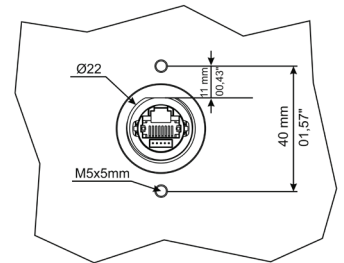
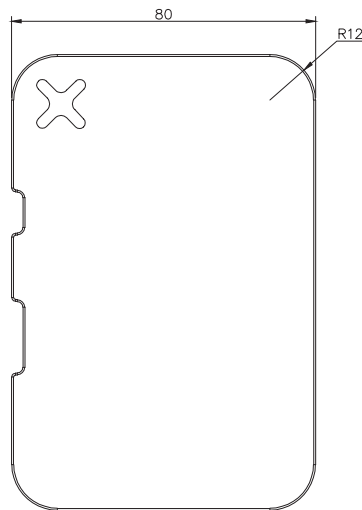
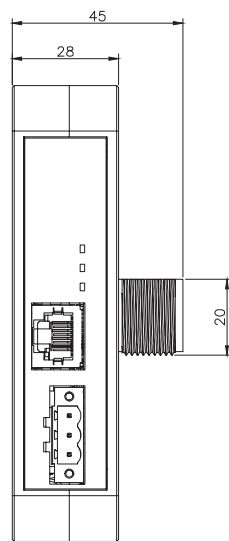
# JSmart PoE Injector panel mounting - Technical Data



Features	
PoE Standard	IEEE 802.3af/at
Output Power	36W max
DC Output Voltage	+54 VDC
Data rates	10/100
Interface	
Ethernet IN port	10/100
Ethernet OUT port	10/100 PoE
Diagnostic LEDs	3
Ratings	
Power Supply	+24 VDC (18-32 VDC)
Current Consumption	2.0 A at 24 VDC (max.)
Efficiency	80% typ
Over Voltage / Current Protection	Yes
Short Circuit Protection	Yes
Reverse Polarity	Yes
Environment Conditions	
Operating Temp	-20°C to +55°C
Storage Temp	-30°C to +80°C
Operating / Storage Humidity	5-85% RH, non-condensing
Protection Class	IP67 EN60529 front cabinet
Dimensions and Weights	
Faceplate LxH	80x120 mm
Depth D	28 mm
Weight	350 g
Approvals	
CE	Emission EN 61000-6-4, Immunity EN 61000-6-2 for installation in industrial environment
cULus	cULus: UL61010-1 / UL61010-2-201



LED	Color	Specifications
1	Red	Fault
2	Green	Status: PoE running
	Red, slow blink	Status: Over-load
3	Red, fast blink	Status: Over-temperature
	Green	Power ON



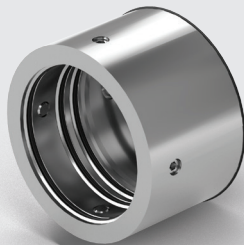
## Ordering Information

Model	Part Number	Description
JSmart PoE	+JSPOU0P2	JSmart PoE Injector Panel mounting

## Tube Brackets

### Tube Bracket

37 mm distance from tube, 48 mm tube fitting, all gasket and screws included, IP67 rated



Ordering Code: +JSBRU001

### Tube Bracket

50 mm distance from tube, 48 mm tube fitting, all gasket and screws included, IP67 rated

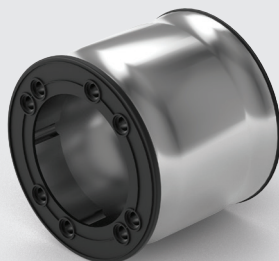


Ordering Code: +JSBRU002

## Brackets for JSmart 705, 707, 710

### Wall Bracket

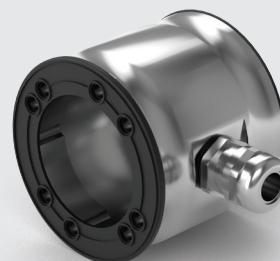
50 mm distance from wall, all gasket and screws included, IP67 rated



Ordering Code: +JSBRU003

### Multi-use Bracket with cable gland

50 mm distance from wall, all gasket and screws included, IP67 rated

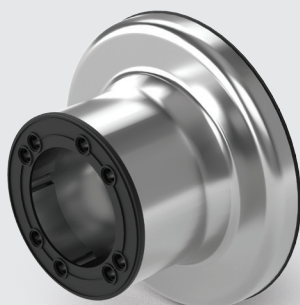


Ordering Code: +JSBRU009

## Brackets for JSmart 715, 721

### Wall Bracket

50 mm distance from wall, all gasket and screws included, IP67 rated



Ordering Code: +JSBRU004

### Multi-use Bracket with cable gland

50 mm distance from wall, all gasket and screws included, IP67 rated



Ordering Code: +JSBRU010

## Cables

Cable 90° PoE - 5 m



Ordering Code: +JSCAU001

Cable PoE - USB - 5 m



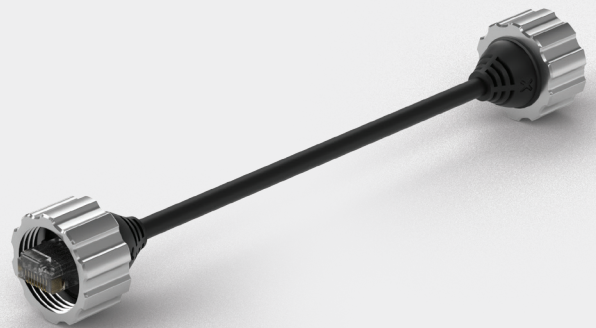
Ordering Code: +JSCAU003

Cable PoE - 5 m



Ordering Code: +JSCAU002

Cable PoE - 5 m



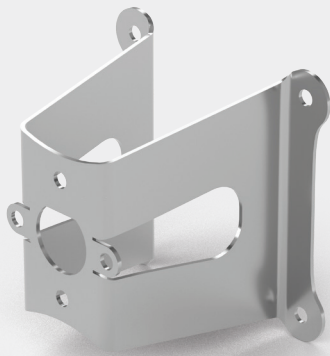
Ordering Code: +JSCAU004



## Others

### JSmart VESA Bracket

70 mm from wall, all gasket and screws included



Ordering Code: +JSBRU005

### JSmart Table Stand

use for desktop, 51.7 mm high, perfect height for ease of use



Ordering Code: +JSBRU006

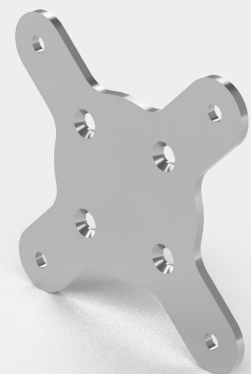
### Gooseneck Bracket

570 mm height, multi plane flexibility, IP20 rated



Ordering Code: +JSBRU007

### JSmart VESA for Adapter Bracket



Ordering Code: +JSBRU008

Your Problem,  
Your Solution,  
Our Technology.

Sold & Serviced By:



Toll Free Phone (877) SERV098

Toll Free Fax (877) SERV099

[www.electromate.com](http://www.electromate.com)

[sales@electromate.com](mailto:sales@electromate.com)