

eXware705 Tech-Note

ARM Cortex-A8 - 300 MHz

- Compatible with JMobile runtime. Supports JMobile protocols and gateway functions. JM4web HTML5 interface for web HMI.
- OPC UA server and client.
- Compatible with CODESYS PLC V3.
- Compatible with Corvina Cloud secure remote connectivity.
- Linux-based open platform.
- 2 Ethernet ports with full network separation (WAN/LAN).
- 2 CAN ports for integrated control with optical isolation
- 2 serial ports with optical isolation.
- Rugged and compact design with IP67 rating.



Highlights

Providing a gateway from the field to base via a cloud service or not, can sometimes prove difficult when the field is located in the middle of rough ground, miles away from any home base. The situation becomes more complex when the location is actually at sea.

The eXware705 is the rugged and compact solution to when the conditions of use are harsh in character.

With the combination of JMobile HMI, CODESYS PLC and Corvina Cloud security, eXware705 offers companies the chance to start at an uncomplicated level in IIoT and yet allows enormous future expansion into more complex aspects of Industry 4.0. Communicating across the vast library of JMobile protocols as well as OPC UA to higher enterprise levels, the eXware705 is a true Plug and Use product.

Sold & Serviced By:



Toll Free Phone (877) SERV098

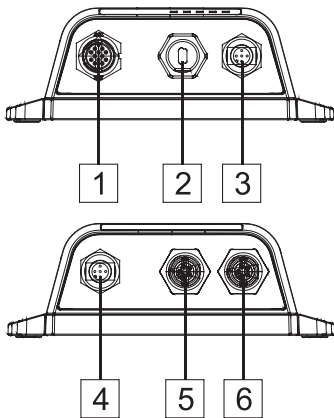
www.electromate.com

sales@electromate.com

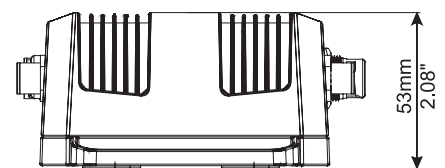
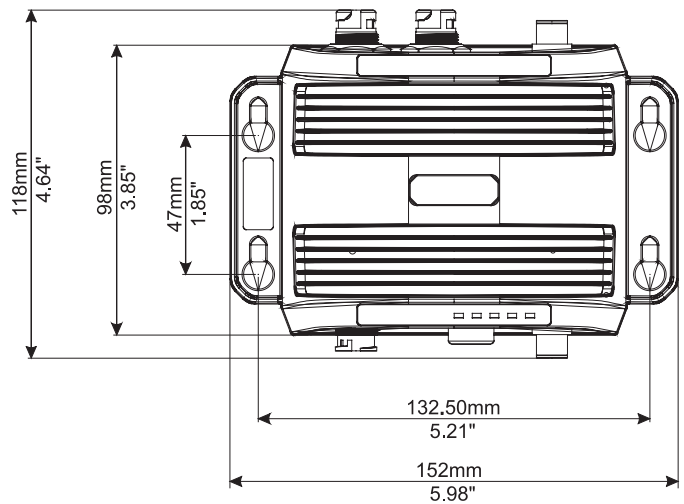
eXware705 - Technical Data



System Resources	
CPU	ARM Cortex-A8 300 MHz
Operating System	Linux RT
Flash	2 GB
RAM	256 MB
FRAM	64 KB
Real Time Clock, RTC Back-up, Buzzer	Yes
Interface	
Ethernet port	2 (port 0 - 10/100, port 1 - 10/100)
USB port	1 (Host v. 2.0, max. 100 mA)
Serial port	2 (RS-232, RS-485, RS-422, software configurable, optical isolation)
CAN Port	2 (with optical isolation)
SD card	-
Expansion	-
LED indicators	5 (power, Ethernet status)
Ratings	
Power supply	24 VDC (9 to 32 VDC)
Current Consumption	0,15A max. at 24 VDC
Input Protection	Electronic
Battery	Yes
Environment Conditions	
Operating Temp	-15°C to +55°C
Storage Temp	-20°C to +70°C
Operating / Storage Humidity	5 - 85% RH, non condensing
Protection Class	IP67
Dimensions and Weights	
Faceplate LxH	152x118 mm
Depth D	53 mm
Weight	280g
Approvals	
CE	EN 60945, EMC Emissions and Immunity for marine applications, Emission EN 61000-6-4 Immunity EN 61000-6-2 for installation in industrial environments
DNV-GL	Yes
RCM	Yes



- 1 Power supply, serial port
- 2 USB port
- 3 CAN port
- 4 CAN port
- 5 Ethernet port 1 (10/100 Mb)
- 6 Ethernet port 2 (10/100 Mb)



Sold & Serviced By:



Toll Free Phone (877) SERV098

www.electromate.com
sales@electromate.com

Ordering Information

Model	Part Number	Description
eXware705	+EXW705U001	Ruggedized IoT controller and gateway, 2 Ethernet ports, 2 CAN ports, 2 serial ports, 1 USB port