

# LCA50 Series

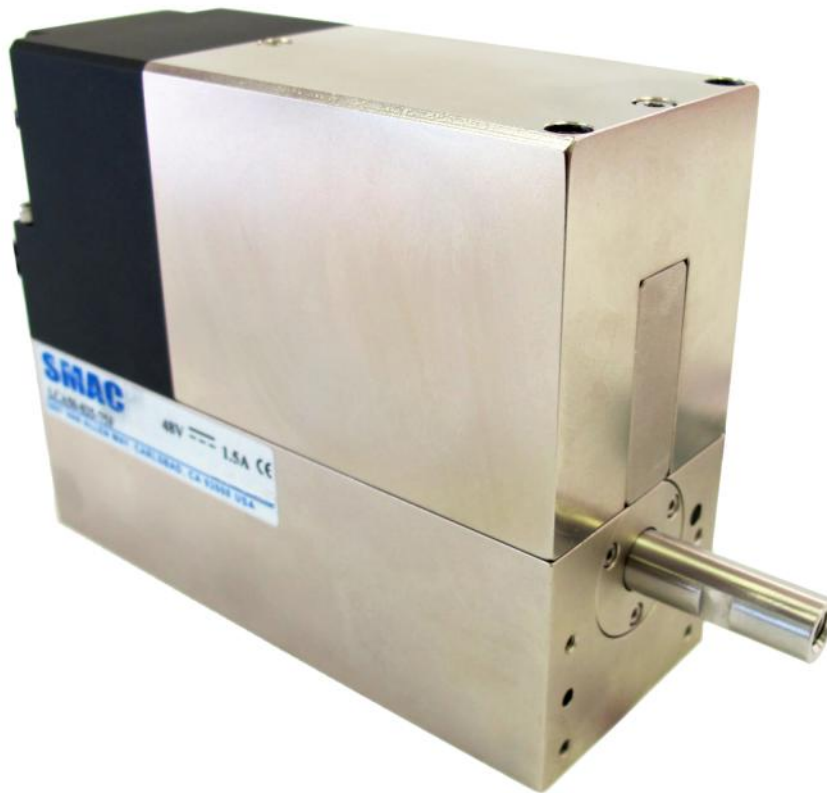
Linear Actuator

Control force on high cycle applications  
Long life, over 100million cycle  
Up to 40G acceleration

## LCA50 Series

Dimensions [mm]	100 x 125 x 50 (25mm stroke)
Stroke [mm]	25, 50, and 100 (+1/-0) (Consult factory for longer stroke)
Peak Force [N]	up to 110
Encoder Resolution [ $\mu$ m]	5 (standard) 1 & 0.1 (Options)

SMAC's Patented 'Soft-Land' Technology  
Fully programmable in force, position and velocity  
Ideal for high cycle applications  
Precise control in position and speed  
Linear slide models available



# SMAC

## Moving Coil Actuators

### Applications



Ejecting/Rejection  
Diverting/Sorting



Bottle filling/  
Liquid Nitrogen



De-blistering



Labelling



Scanning/Positioning  
High cycle

Sold & Serviced By:

**ELECTROMATE**

Toll Free Phone (877) SERV098

Toll Free Fax (877) SERV099

www.electromate.com

sales@electromate.com

# LCA50 series Linear Actuator

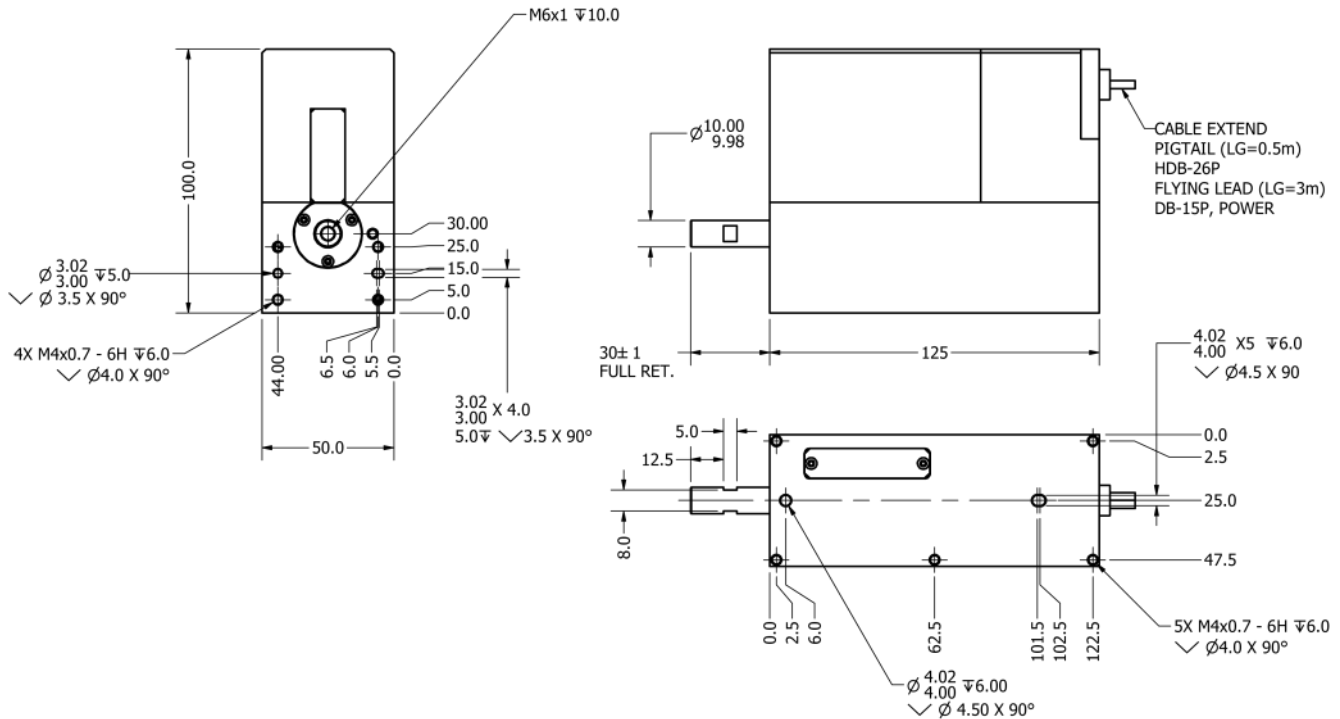
## PART NUMBERING

MODEL	SERIES	STROKE	VOLT	ENCODER	SHAFT	VACUUM	SPRING	CABLE
LCA	50	0 2 5				V		M O D
		1 = 24 vdc 6 COIL 3 = 48 vdc 6 COIL 5 = 24 vdc SINGLE COIL 7 = 48 vdc SINGLE COIL	1 = 1.0µm 5 = 5.0µm 2 = 0.1µm	B = BLANK F = FEMALE M = MALE C = CUSTOM	SA = 0g payload, vertical, full return SB = 50g payload, vertical, full return SC = 100g payload, vertical, full return SD = 0g payload, vertical, counter balance SE = 50g payload, vertical, counter balance SF = 100g payload, vertical, counter balance	3 = Flying Lead 5 = Pigtail		

## SPECIFICATION

Dimension [mm]:	100 x 125 x 50 (25mm stroke)	Linear stroke [mm]:	25, 50, and 100 (+1/-0)
Peak force [N]:	50 - 110	Force constant [N/A]:	30 - 68
Encoder resolution [µm]:	5 standard (1 and 0.1 optional)	Encoder repeatability:	+/- 4 encoder count
Encoder repeatability:	+/- 4 encoder count	Moving mass [Kg]:	0.335 - 0.665
Total mass [Kg]:	2.16 - 5.7	Operating temperature [°C]:	0 - 65°C

## DIMENSIONS LCA50-025 SERIES



## Regional Distributor

Sold & Serviced By:



Toll Free Phone (877) SERV098

Toll Free Fax (877) SERV099

[www.electromate.com](http://www.electromate.com)

[sales@electromate.com](mailto:sales@electromate.com)