



TORQUE SYSTEMS

MDM Stainless Steel Series Product Guide

The MDM Stainless Steel product line is based upon ITT Torque System's industry leading MDM technology, which provides energy efficient servo motors in popular industry standard frame size configurations. This new motor offering is ideal for use in food, beverage, dairy, pharmaceutical and personal care manufacturing and equipment applications.

ITT Torque System's engineers designed the MDM Stainless Steel Series to meet the needs of users and customers in need of cost effective, sterile and hygienic applications.



ITT

ENGINEERED FOR LIFE

Sold & Serviced By:

 **ELECTROMATE**

Toll Free Phone (877) SERV098

Toll Free Fax (877) SERV099

www.electromate.com

sales@electromate.com

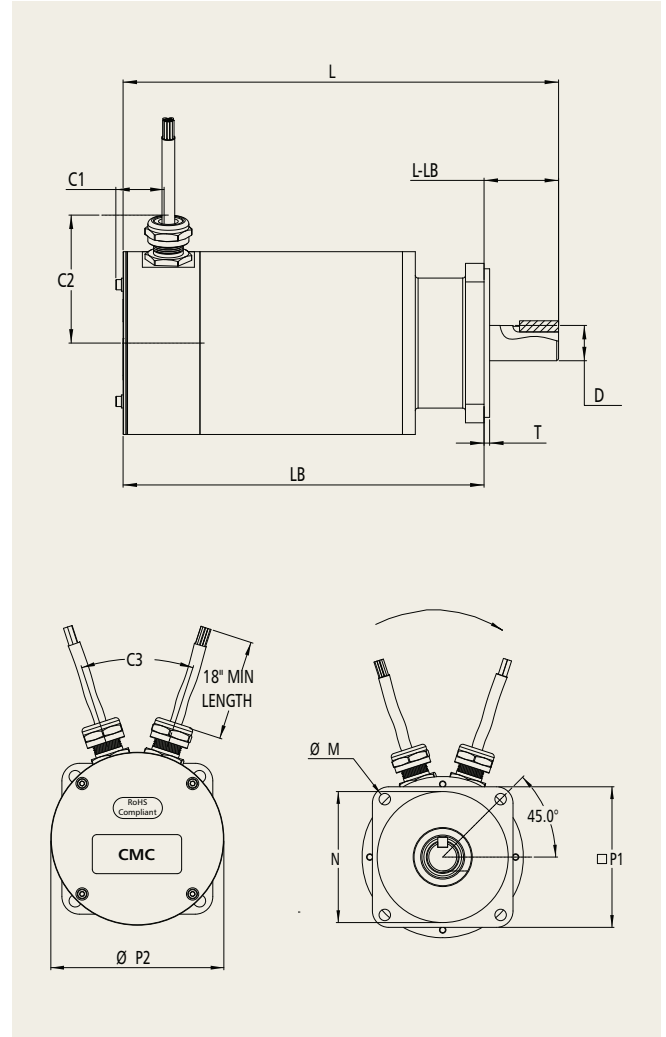


Features:

- Factory sealed cabling to simplify installation
- Full IP 67 Compliance with shaft seals
- Complete conformance to UL/CUL and CE Standards across the entire product line
- Thermostats on motor windings is standard for all configurations
- Customized mounting and shaft option available
- Optional encoder line counts up to 5,000 ppr available for all configurations
- Optional resolver feedback available for all frame sizes

Benefits:

- Minimizing installation and setup time
- Maintains internal integrity and corrosion resistance in washdown environments
- Required industry defined standards conformance
- Protection circuitry meets industry requirements
- Enables more flexible design options, and retrofit support
- Performance enhancement and feature convenience that allows ITT Torque System's motors to be incorporated into a broader range of applications
- Flexible feedback configurations provide more choices for demanding applications



Platform Number	IEC Flange Number	N	M	T	Shaft		L	LB	L-LB	C1	C2	C3	P1	P2	CONT Stall Torque	Peak Torque
					D	Key									Nm	Nm
S0601	F75	60	4 x 5.8 @ 75 BCD	2.5	14	5x5x16	140	110	30	21	56	43	68	75	0.36	2.3
S0602							159	129							0.60	4.0
S0603							178	148							0.83	5.3
S0604							197	167							1.02	6.3
S0851	F100	80	4 x 7 @ 100 BCD	3	19	6x6x21	205.1	165	40.1	27.9	69	36	86	98.4	1.50	5.8
S0852							234.1	194							2.46	10.5
S0853							263.1	223							3.49	14.7
S0854							292.1	252							4.32	18.3
S1101	F130	110	4 x 10 @ 130 BCD	3.5	24	8x7x27	237	187	50	25.9	81	32	114	123.2	3.57	10.7
S1102							268	218							6.02	19.8
S1103							299	249							7.87	26.8
S1104							330	280							9.89	33.9
S1402	F165	130	4 x 12 @ 165 BCD	3.5	32	10x8x32	289.3	231.3	58	30	103	22	140	165	9.80	42.7
S1403							314.3	256.3							13.10	53.8
S1404							339.3	281.3							15.70	94.9
S1405							364.3	306.3							19.36	118.5

- NOTES:
- Standard IEC tolerances apply
 - Dimensions represent motor-encoder or motor-resolver without brake
 - All dimensions are in mm

MDM S-SERIES (STAINLESS STEEL) ORDERING GUIDE

S XXX X XX XX X X

FRAME SIZE

060 mm
085 mm
110 mm
140 mm

WINDING STACK HEIGHT

60 mm frame (1,2,3,4)
80 mm frame (1,2,3,4)
110 mm frame (1,2,3,4)
140 mm frame (1,2,3,4)

WINDINGS STANDARD

To Reference "Standard Winding Guide" refer to next page. Consult factory for other options.

FEEDBACK - Select 1 of 4

(1) Incremental Encoder

COMM	COUNT
CD	1000
CD	1024
CF	1500
CG	2000 Standard
CH	2048
CJ	2500
CK	5000

(2) Absolute Encoder

AS - Single Turn
AM - Multi Turn
Call factory for this option

(3) Resolver- RS

(4) Hall Sensor - HA
Consult Factory for this Option

SHAFT DIAMETER MOUNTING

60 mm motor frame	G 14 mm shaft w/keyway, IEC 75
85 mm motor frame	H 19 mm shaft w/keyway, IEC 100
100 mm motor frame	J 24 mm shaft w/keyway, IEC 130
140 mm motor frame	M 32 mm shaft w/keyway, IEC 165
S Other - SPECIAL	

BRAKE

N None - Standard
B Brake - 24VDC - Optional

STANDARD FEATURES:
Winding Thermostat Protected
IP67 with Shaft Seal

Example Part Number Setup: **S0853-E0-CG-B-H**



Sold & Serviced By
ELECTROMATE

Toll Free Phone (877) SERV098
Toll Free Fax (877) SERV099
www.electromate.com
sales@electromate.com

Winding Designators: Back EMF Constant (Vpeak/Krpm)

X0 = 7.5	T0 = 10	U0 = 12.5	P0 = 15	A0 = 20	R0 = 25
B0 = 30	C0 = 40	D0 = 50	E0 = 60	F0 = 70	G0 = 80
H0 = 90	J0 = 100	K0 = 120	L0 = 140	M0 = 160	

MDM-S 5000 (Stainless Steel) Winding Option

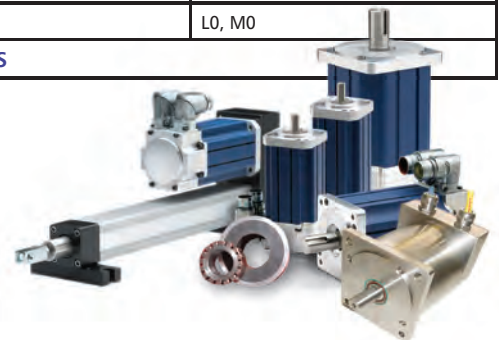
Vac	Vdc	S0601	S0602	S0603	S0604
28	40	X0, T0, U0, P0	X0, T0, U0, P0, A0	X0, T0, U0, P0, A0	X0, T0, U0, P0, A0
56	80	U0, P0, A0, R0, B0	U0, P0, A0, R0, B0, C0	P0, A0, R0, B0, C0	P0, A0, R0, B0, C0
115	160	R0, B0, C0, D0	R0, B0, C0, D0	B0, C0, D0	B0, C0, D0, E0, F0, G0
230	325	D0	D0	E0, F0	E0, F0, G0
400	560	N/A	N/A	N/A	N/A
460	640	N/A	N/A	N/A	G0

Vac	Vdc	S0851	S0852	S0853	S0854
28	40	X0, T0, U0, P0, A0, R0	T0, U0, P0, A0, R0	A0, R0, B0	A0, R0, B0
56	80	P0, A0, R0, B0, C0, D0	P0, A0, R0, B0, C0, D0	A0, R0, B0, C0, D0, E0	A0, B0, C0, D0, E0
115	160	B0, C6, C0, D0, E0, F0, G0	B0, C0, D0, E0, F0, G0, J0	B0, C0, D0, E0, F0, G0, J0, K0	B0, C0, D0, E0, F0, G0, J0, K0
230	325	E0, F0, G0, J0, K0, L0, M0	E0, F0, G0, H0, J0, K0, L0, M0	E0, F0, G0, J0, K0, L0, M0	F0, G0, J0, K0, L0, M0
400	560	J0, K0, L0, M0	J0, K0, L0, M0	K0, L0, M0	K0, L0, M0
460	640	K0, L0, M0	K0, L0, M0	K0, L0, M0	K0, L0, M0

Vac	Vdc	S1101	S1102	S1103	S1104
28	40	A0, R0, B0	A0, R0, B0	N/A	N/A
56	80	A0, R0, B0, C0, D0, E0	A0, B0, C0, D0, E0	N/A	N/A
115	160	B0, C6, C0, D0, E0, F0, G0, H0, J0, K0	C0, D0, E0, F5, F0, G0, H0, J0, K0	D0, E0, F0, G5, G0, H0, J0	E0, F0, G5, G0, H0, J0
230	325	E0, F0, G0, H0, J0, K0	F0, G0, H0, J0, K0, L0, M0	E0, F0, G5, G0, H0, J0, K0	E0, F0, G5, G0, H0, J0, K0
400	560	K0	K0, L0, M0	J0, K0, L0, M0	J0, K0, L0, M0
460	640	K0	L0, M0	K0, L0, M0	K0, L0, M0

Vac	Vdc	S1402	S1403	S1404	S1405
28	40	N/A	N/A	N/A	N/A
56	80	N/A	N/A	N/A	N/A
115	160	E0, F0, G5, G0, H0, J0, K0	F0, G5, G0, H0, J0, K0	H0, J0	N/A
230	325	E0, F0, G5, G0, H0, J0, K0, L0, M0	E0, F0, G5, G0, H0, J0, K0	H0, J0, K0, L0, M0	J0, K0, L0, M0
400	560	J0, K0, L0, M0	J0, K0, L0, M0	J0, K0, L0, M0	K0, L0, M0
460	640	K0, L0, M0	K0, L0, M0	K0, L0, M0	L0, M0

CONSULT FACTORY FOR OTHER OPTIONS



Sold & Serviced By:



Toll Free Phone (877) SERV098

Toll Free Fax (877) SERV099

www.electromate.com

sales@electromate.com