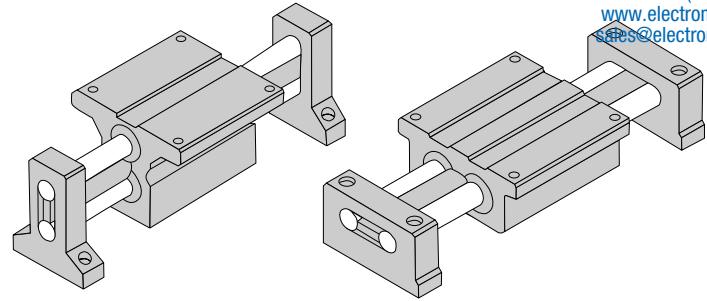


Twin Shaft Web* 2CA

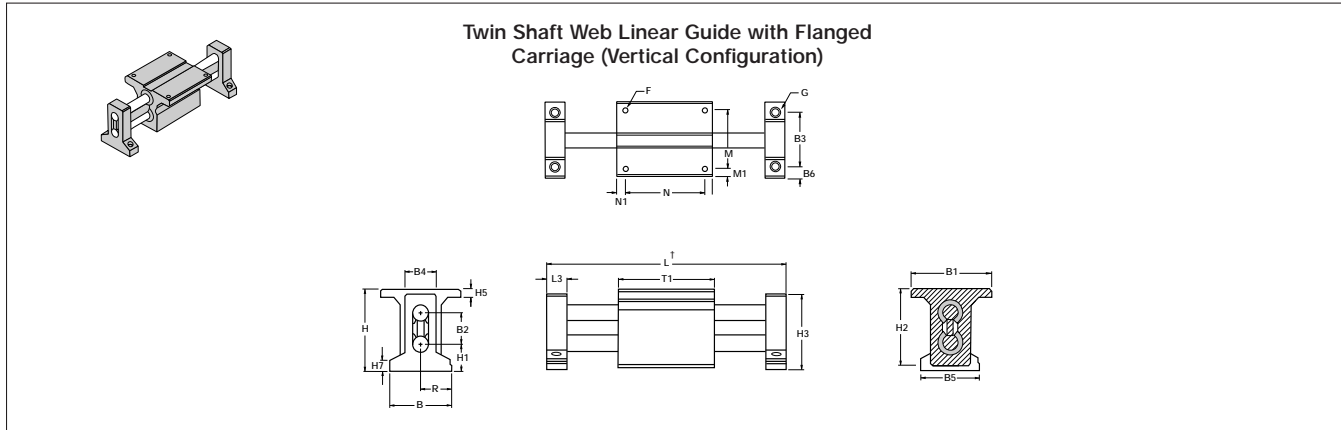
Linear Guide #14

with Flanged Carriage

Unpack and Install



INCH



| Twin Shaft Web Linear Guide End Supported 2CA (Vertical Configuration) | | | | | | | | | | | | | (Dimensions in inches) | |
|--|------------------|------|-------|-------|------|-----|------|-------|------|------|------|-----|------------------------|------|
| Part Number | Nominal Diameter | L3 | H | H1 | H3 | H7 | B | R | B2 | B3 | B4 | B6 | T1 | N |
| 2CA-08-OKA | .50 | .63 | 2.750 | .875 | 2.56 | .38 | 2.25 | 1.125 | 1.13 | 1.63 | 1.12 | .31 | 3.5 | 3.00 |
| 2CA-12-OKA | .75 | .75 | 3.625 | 1.125 | 3.44 | .56 | 3.00 | 1.500 | 1.50 | 2.25 | 1.63 | .38 | 4.5 | 4.00 |
| 2CA-16-OKA | 1.00 | 1.00 | 4.625 | 1.375 | 4.50 | .75 | 4.00 | 2.000 | 2.00 | 3.00 | 2.25 | .50 | 6.0 | 5.25 |

| Twin Shaft Web Linear Guide End Supported 2CA (Vertical Configuration) | | | | | | | | | | | (Dimensions in inches) | | |
|--|-----|------|-----|-----|-----|------|-----|---------|------|------|------------------------|----------------------------|--|
| Part Number | N1 | H2 | H5 | B1 | B5 | M | M1 | F | G | | Max. Stroke Length | Twin Shaft Web Part Number | |
| | | | | | | | | | Bolt | Hole | | | |
| 2CA-08-OKA | .25 | 2.62 | .37 | 3.5 | 1.5 | 3.00 | .25 | #10-32 | #10 | .22 | L-(4.75) | TSW-08 | |
| 2CA-12-OKA | .25 | 3.50 | .50 | 4.5 | 2.0 | 4.00 | .25 | 1/4-20 | 1/4 | .28 | L-(6.00) | TSW-12 | |
| 2CA-16-OKA | .38 | 4.50 | .62 | 6.0 | 2.5 | 5.25 | .38 | 5/16-18 | 5/16 | .34 | L-(8.00) | TSW-16 | |

| 2CA (Vertical Configuration) Flanged Carriage and End Support Part No. | | |
|--|----------------------|-------------------------|
| Linear Guide Part Number | Carriage Part Number | End Support Part Number |
| 2CA-08-OKA | FWC-08-V | WSB-08-V |
| 2CA-12-OKA | FWC-12-V | WSB-12-V |
| 2CA-16-OKA | FWC-16-V | WSB-16-V |

† Maximum Overall Length is 72 inches.

Shaft Deflection Note:

Load limit may be below the dynamic load rating due to shaft deflection. Bearings can accommodate up to 1/2° deflection.

See Engineering Section (pg 204) for Deflection calculations.

Twin Shaft Web* Linear Guide

2CA Benefits:

- Used when spanning or bridging a gap.
- Double LinearRace* Shaft and welded integral web design maximizes torque and dramatically improves deflection characteristics.
- Pre-aligned for quick and easy installation.
- Designed to move medium loads with virtually frictionless travel.
- Flanged carriage provides a larger mounting surface.

Twin Shaft Web Linear Guide

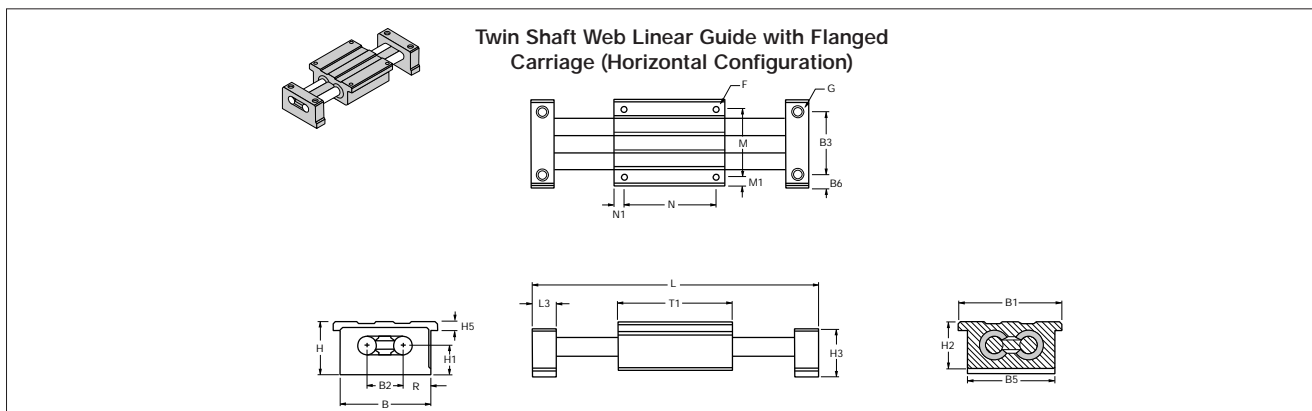
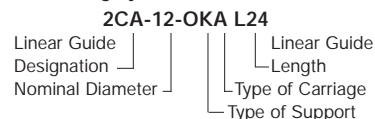
2CA Components: †

- Flanged integrated, carriage with 4 open type Super Smart Ball Bushing* bearings.
- Twin welded 60 Case* LinearRace shafts with integral web.
- 2 vertical or horizontal double end supports.

Specifying this Thomson Linear Guide:

1. Determine the proper Linear Guide for your load and life requirements.
2. Select the part number.
3. Add the letter "L" followed by the overall length in inches, as a suffix to the part number.

Part Numbering System



Twin Shaft Web Linear Guide End Supported 2CA (Vertical Configuration) (Dimensions in inches)

| Part Number | Nominal Diameter | L3 | H | H1 | H3 | B | R | B2 | B3 | B6 | T1 | N |
|-------------|------------------|------|-------|-------|-----|------|------|------|------|-----|-----|------|
| 2CA-08-OMB | .50 | .63 | 1.625 | .875 | 1.5 | 2.62 | .75 | 1.13 | 2.00 | .31 | 3.5 | 3.00 |
| 2CA-12-OMB | .75 | .75 | 2.125 | 1.125 | 2.0 | 3.50 | 1.00 | 1.50 | 2.75 | .37 | 4.5 | 4.00 |
| 2CA-16-OMB | 1.00 | 1.00 | 2.625 | 1.375 | 2.5 | 4.50 | 1.25 | 2.00 | 3.62 | .50 | 6.0 | 5.25 |

Twin Shaft Web Linear Guide End Supported 2CA (Horizontal Configuration) (Dimensions in inches)

| Part Number | N1 | B1 | B5 | M | M1 | H2 | H5 | F | Bolt | Hole | Max. Stroke Length | Twin Shaft Web Part Number |
|-------------|-----|-----|------|------|-----|-----|-----|---------|------|------|--------------------|----------------------------|
| 2CA-08-OMB | .25 | 3.5 | 2.62 | 3.00 | .25 | 1.5 | .37 | #10-32 | #10 | .22 | L-(4.75) | TSW-08 |
| 2CA-12-OMB | .25 | 4.5 | 3.50 | 4.00 | .25 | 2.0 | .50 | 1/4-20 | 1/4 | .28 | L-(6.00) | TSW-12 |
| 2CA-16-OMB | .38 | 6.0 | 4.50 | 5.25 | .38 | 2.0 | .62 | 5/16-18 | 5/16 | .34 | L-(8.00) | TSW-16 |

2CA (Horizontal Configuration) Flanged Carriage and End Support Part No.

| Linear Guide Part Number | Carriage Part Number | End Support Part Number |
|--------------------------|----------------------|-------------------------|
| 2CA-08-OMB | FWC-08-H | WSB-08-H |
| 2CA-12-OMB | FWC-12-H | WSB-12-H |
| 2CA-16-OMB | FWC-16-H | WSB-16-H |

Dynamic Load Capacity Matrix (4 million inches travel)

| Linear Guide Assembly Part No. | Dynamic Load Capacity (lbf) (Even Distribution) | Dynamic Roll Moment Capacity (in - lbf) |
|--------------------------------|---|---|
| 2CA-08-OKA | 290 | 165 |
| 2CA-12-OKA | 1800 | 1350 |
| 2CA-16-OKA | 3000 | 3000 |
| 2CA-08-OMB | 290 | 165 |
| 2CA-12-OMB | 1800 | 1350 |
| 2CA-16-OMB | 3000 | 3000 |

† Super Ball Bushing* bearings are used in .500 inch size carriages.