

PC-Series™ Precision Linear Actuators

Optimize Your Machine and Save Energy

With Reliable, High Performance, Compact Actuators

Sold & Serviced By:

 **ELECTROMATE**

Toll Free Phone (877) SERV098

Toll Free Fax (877) SERV099

www.electromate.com

sales@electromate.com

 **THOMSON**®

Linear Motion. Optimized.™

Make the Change to Electric

Enjoy superior performance and save time and energy

Next generation machines and equipment need to be more compact while delivering higher performance and more flexibility. Making the change from pneumatic cylinders to electric actuators can simplify your design and deliver savings at the same time.

Superior Performance

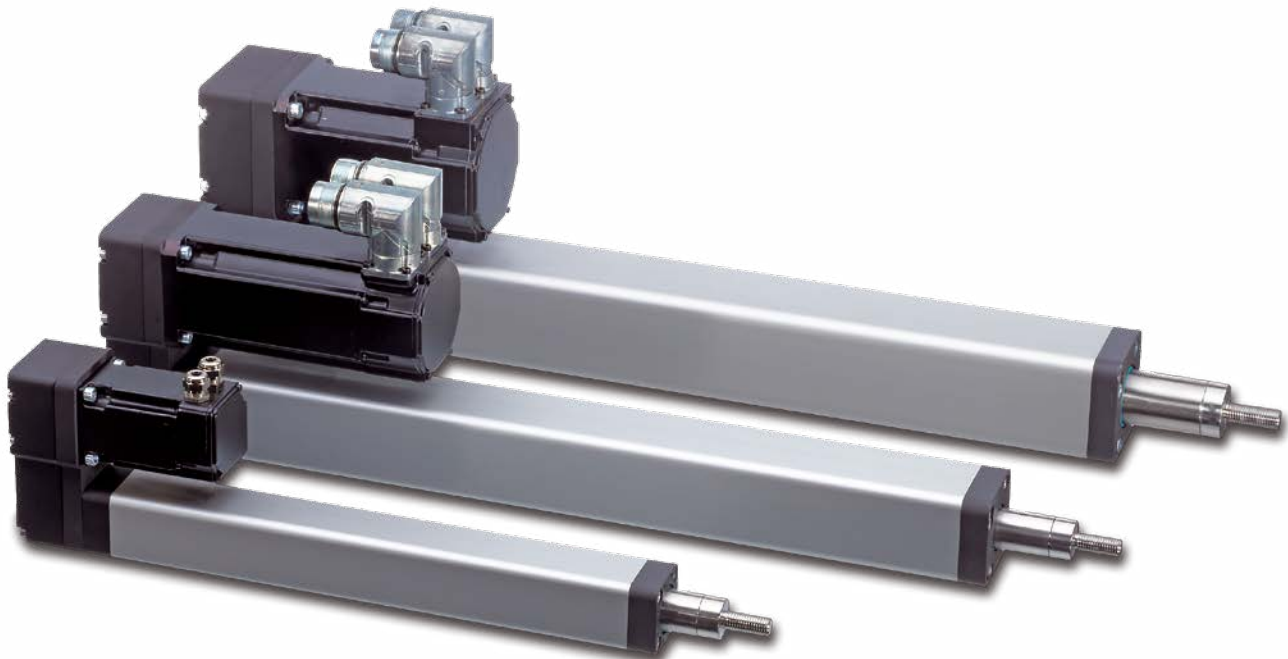
- Higher power density
- More accuracy
- Longer stroke lengths
- Quieter operation
- Side load capability

Time and Energy Savings

- Reduced energy costs
- Reduced setup and changeover time
- Fewer components than a pneumatic system
- No air leaks
- No compressor maintenance

Estimate Your Annual Energy Savings

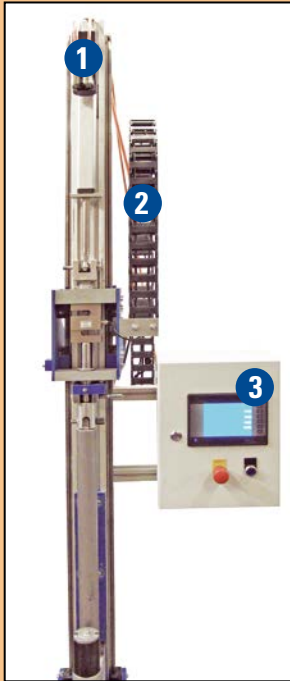
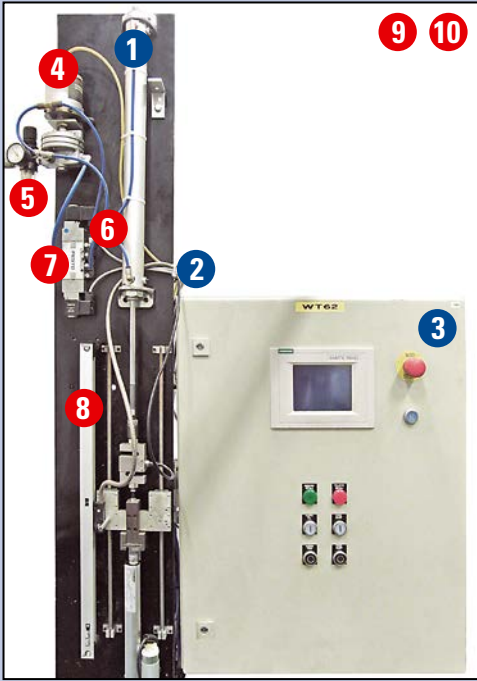
Visit www.thomsonlinear.com/pc_calc to see how much you could save!



Electric Actuators vs. Pneumatic Cylinders

Designing with electric actuators instead of pneumatic cylinders results in fewer components, better performance and a lower total cost of ownership.

Side-by-Side Comparison: Load Testing Equipment

	Electric Design	Pneumatic Design
1. Actuator / cylinder 2. Cables 3. Control box ----- 4. Servo valve 5. Regulator 6. Air hoses 7. Valve block 8. Linear scale 9. Compressor 10. Other equipment	 <p>Space required: ~ 0.4 m³</p>	 <p>Space required: ~ 1.3 m³</p>
Controllability	★★★★	★★
Load	★★★	★★
Accuracy	★★★★	★
Speed	★★★	★★★★
Maintenance	★★★	★
Noise	★★★	★★
Installed Cost	★★	★★★★
Operating Cost	★★★★	★
Total Cost	★★★	★★

- ★ Poor
- ★★ Fair
- ★★★ Good
- ★★★★ Excellent

Equipment shown performs the same operation and is shown in the same scale.

Build Flexibility into Your Processing Application

The complexities of many processing applications, including sanitary washdown requirements and mixed product manufacturing lines, are easily accommodated by the Thomson PC-Series™ precision linear actuators where IP65 rating is standard

Form, Fill and Seal Equipment

Filling heads move up and down rapidly and repeatedly on form, fill, and seal equipment. Electric actuators provide an advantage with higher precision and repeatability than a pneumatic solution.



Grading

Sorting arms and pushers move to shift product into distinct bins in grading applications, often a consolidation point from many production lines. The predictable life of electric actuators ensures that the line will stay up as intended between maintenance cycles.



Converting and Container Manufacturing

Molding, can and box manufacturing equipment often require several axes to move and operate in confined spaces in close proximity to each other. By using electric actuators instead of pneumatic cylinders you can save space and installation time while improving the accuracy of the process.



Inspection

Testing tightening torque and checking seals is essential to overall product quality. Electric actuators provide superior accuracy and repeatability at this critical step.



Accelerate Your Packaging or Handling Application

Packaging and handling processes require speed to keep up with ever-increasing flow rates from manufacturing lines. Higher speed does not have to mean higher energy consumption. Choosing Thomson PC-Series™ electromechanical linear actuators can greatly reduce energy consumption due to the fact that they use energy on demand.

Marking and Printing

Product quality and traceability are growing in importance as regulations become more strict. Consistently placing the right label on the right package in the right position is more critical than ever. In addition, electric actuators are an ideal choice for the end of the manufacturing line, where labels and printing often take place but no air lines may be present.



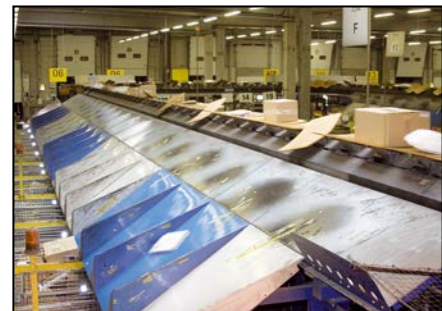
Secondary Packaging

Automation is increasing at the end of the line, where products are wrapped, cartoned, strapped, banded, and palletized for shipment. The higher load capability of electric actuators enables more compact machine designs that take up less floor space.



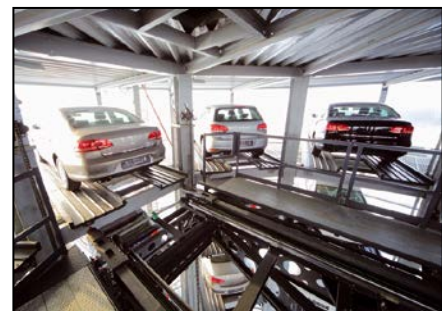
Conveying, Sorting and Pick and Place

Ensuring that the product is at the right place at the right time is an essential part of running an automated manufacturing line, but the product coming down the line can vary. When requirements change, electric actuators allow you to change the end stop and fence positions on your line quickly with a program change, instead of a redesign and cylinder change.



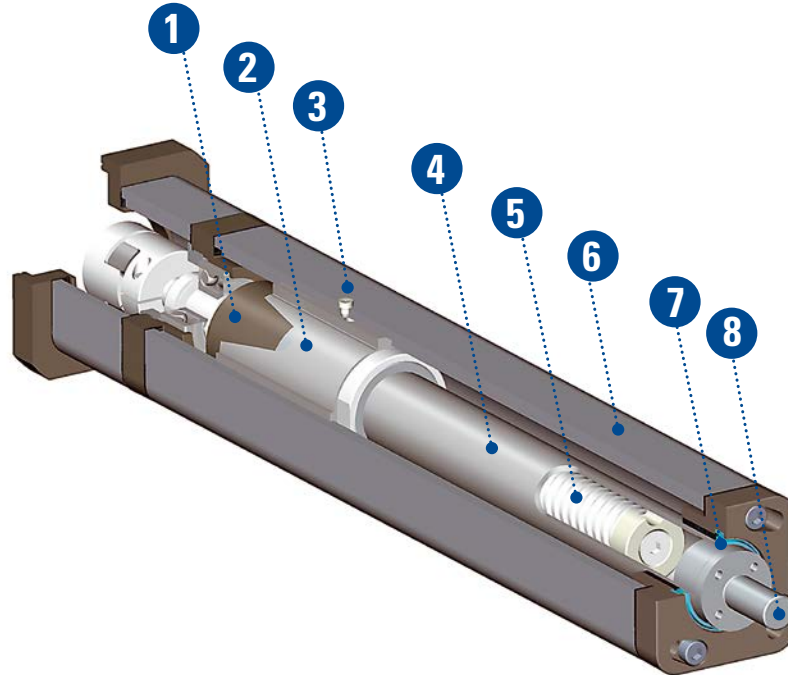
Automated Storage and Retrieval

High duty cycles and harsh environments are common in automated storage and retrieval systems. Reduce maintenance needs and downtime while consuming less energy when you choose electric actuators instead of pneumatics.



The PC-Series™ – Designed to Deliver Value

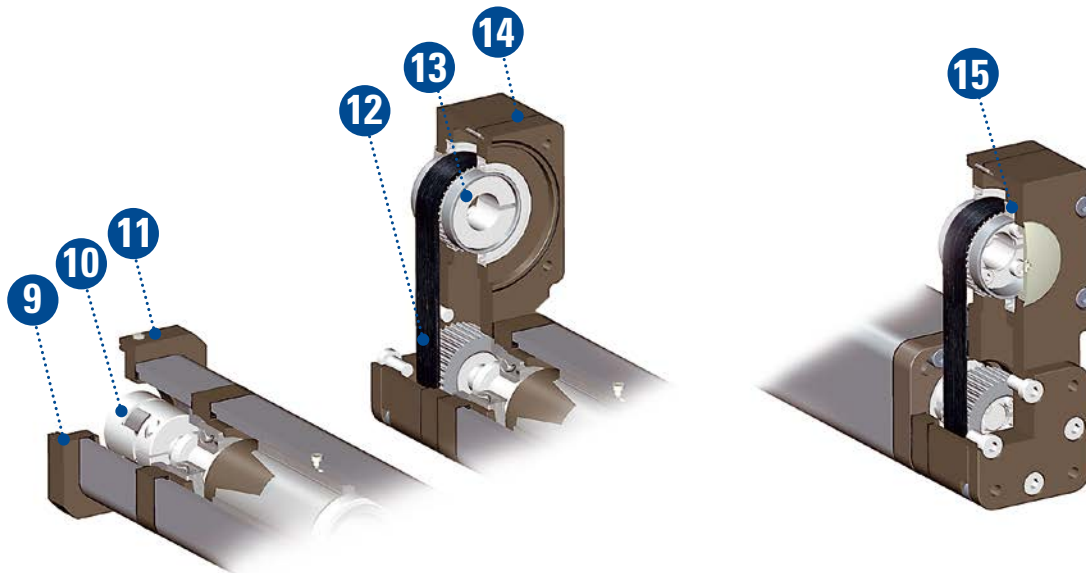
The design of a PC-Series™ precision linear actuator delivers extended life, high repeatability, and quiet operation. In addition, it requires minimal maintenance and resists corrosion in harsh environments.



	Feature	Benefit
1	High precision ball nut	High repeatability and positioning accuracy Smooth, quiet operation
2	Ball nut carrier (US patent pending)	High side load capability Reduced noise Built in anti-rotation of rod end
3	Single point lubrication	Quick and easy maintenance
4	Stainless steel extension tube	Suitable for heavy loads and harsh environments
5	Large diameter ball screw	High power density and long life
6	Smooth exterior profile	No collection points during washdown
7	Extension tube seal	IP 65 rating suitable for harsh environments
8	Stainless steel male rod adapter	Corrosion resistance Simple mounting of ISO standard accessories

RediMount™ – Designed for Flexibility and Speed

The RediMount™ system is designed for seamless motor installation in less than five minutes. It accommodates a wide range of motor types and sizes. Motor to actuator alignment is guaranteed, ensuring a trouble-free connection and maximum system performance.



	Feature	Benefit
9	Thomson RediMount™ motor flange	Mounting in less than five minutes Pre-engineered to mount to more than 600 motors
10	Large, flexible coupling	High torque
11	Sealing plug	IP65 protection
12	Extra-wide synchronous belt	High thrust loads
13	Clamping element	Plug and play motor assembly
14	Large housing	Accommodates large frame motors
15	Straddle mounted pulley bearings	No radial load on motor shaft

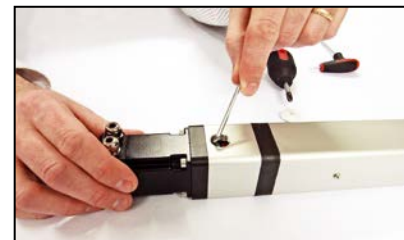
RediMount™ Motor Mounting Steps



Insert motor shaft into coupling



Tighten motor mounting screws



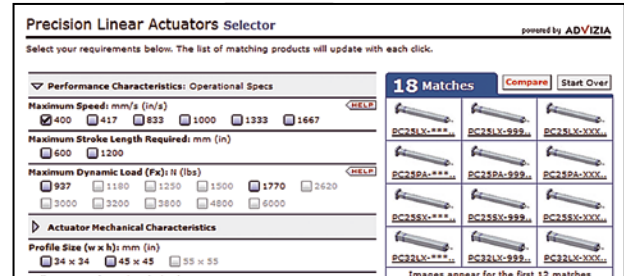
Tighten motor coupling screws and install sealing plug

Save on Design, Installation and Operating Time

The Thomson PC-Series™ has been designed and built to save you time at every step, from selecting your actuator all the way through reducing the time required to maintain it.

Easy to Size & Select

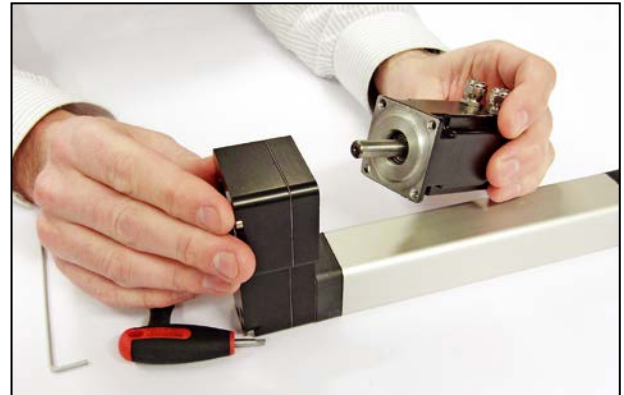
- Size and select your PC-Series™ actuator in less than 15 minutes using online selection tools
- Download configurable 3D CAD models
- Customize your solution (length, motor orientation, mounting adapters and screw leads)



Online selection tool

Quick and Reliable Installation

- Install in less than 5 minutes with the Thomson RediMount™ motor mounting system
- Use your own motor! RediMount is pre-engineered for more than 600 different motor types and sizes
- Reduce time spent aligning the actuator and motor with the RediMount pre-aligned solution
- Easily upgrade your machine from pneumatics utilizing the PC- Series ISO standard mounting interfaces



The RediMount system makes motor mounting fast and easy

Reduced Maintenance

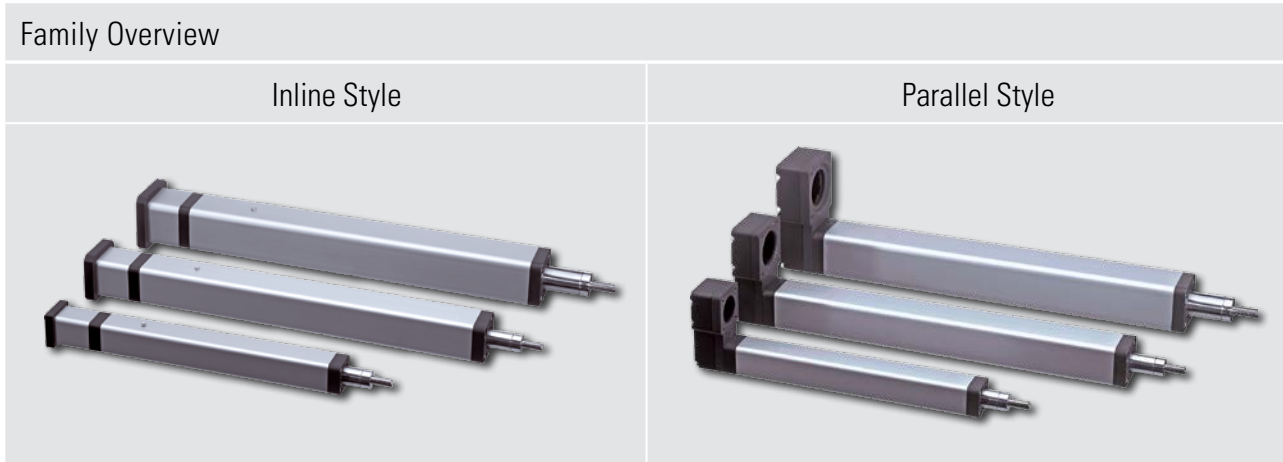
- Quick and effective washdowns due to streamlined profile and IP65 rating
- Quickly prepare actuator for lubrication by advancing to fully retracted position
- Corrosion resistant throughout
- Longer life due to high power density and ability to compensate for system misalignment



Designed to withstand the harshest conditions

Product Family Overview

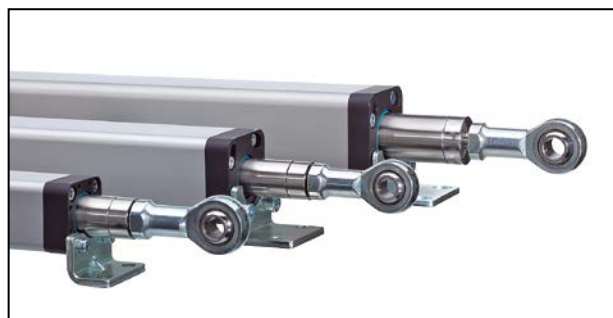
The PC-Series™ is available in three sizes (PC25, PC32 and PC40) and two styles (inline and parallel).



		PC25	PC32	PC40
Screw Type		ball screw	ball screw	ball screw
Max. Load (Fx)	[N]	1250	3200	6000
Max. Stroke	[mm]	600	1200	1200
Max. Speed	[m/s]	1.33	1.00	1.66
Profile Size	[mm]	34 × 34	45 × 45	55 × 55
Screw Diameter	[mm]	10	12	20
Screw Lead	[mm]	3, 10	4, 10	5, 10, 20
Protection Class	[mm]	IP65	IP65	IP65

Accessories

A complete line of accessories is available – including ISO compatible actuator mounting options, extension tube adapters and limit sensors. See pages 16 - 21.



Specifications - PC25



Standard Features and Benefits

- Compact, robust and reliable
- Stroke up to 600 mm
- Load up to 1250 N
- Speed up to 1.33 m/s
- Stainless steel extension tube
- IP65 as standard
- Mounting accessories according to pneumatic ISO standard

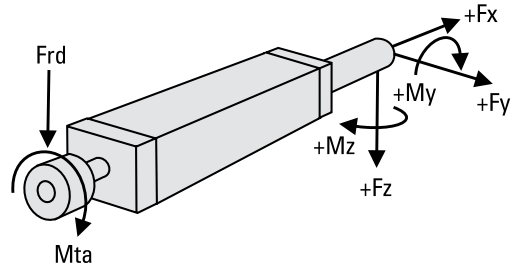
General Specifications

Parameter	PC25
Profile size (w × h) [mm]	34 × 34
Type of screw	ball screw
Protection class	IP65
Lubrication	one point lubrication of ball screw

Performance Specifications

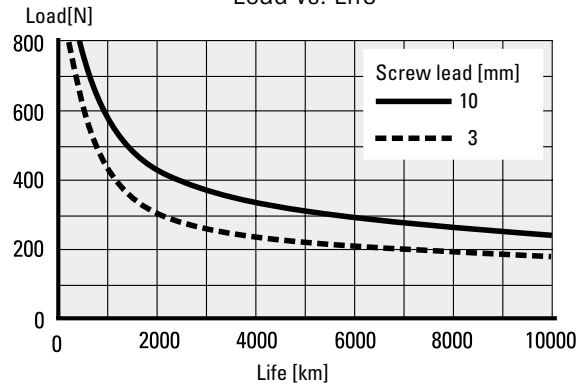
Parameter		PC25
Stroke length (S max), maximum	[mm]	600
Linear speed, maximum	[m/s]	1.33
Acceleration, maximum	[m/s ²]	10
Repeatability	[± mm]	0.01
Input speed, maximum	[rpm]	8000
Operation temperature limits	[°C]	-20 – +70
Dynamic load (Fx), maximum	[N]	1250
Dynamic load (Fy), maximum	[N]	20
Dynamic load (Fz), maximum	[N]	20
Dynamic load torque (Mz, My), maximum	[Nm]	10
Screw versions, diameter (d0) / lead (p)	[mm]	10/03, 10/10
Drive shaft force (Frd), maximum	[N]	100
Input torque, maximum (RediMount models)	[Nm]	2.3
Drive shaft torque (Mta), maximum	[Nm]	4.0

Definition of Forces

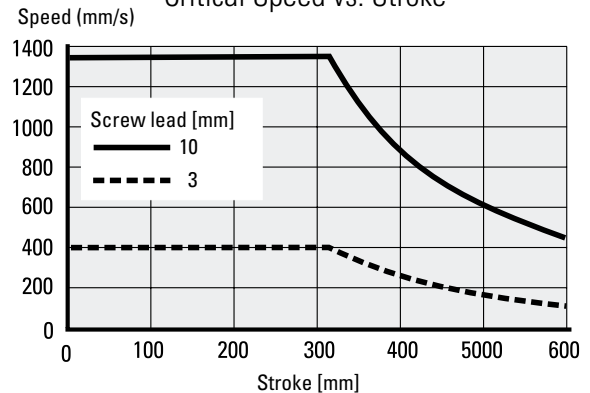


Performance Diagrams

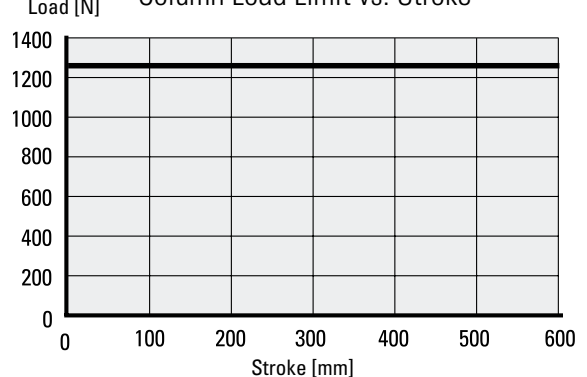
Load vs. Life



Critical Speed vs. Stroke

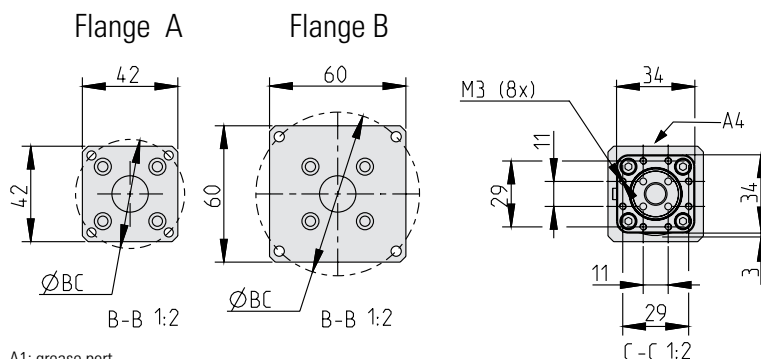
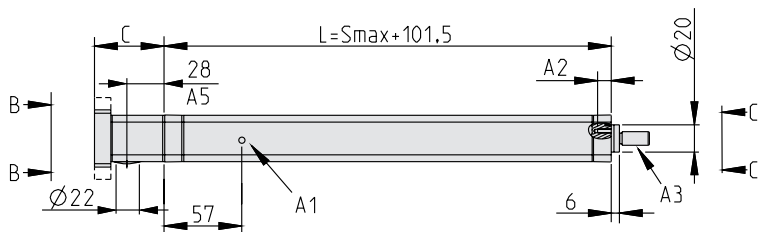


Column Load Limit vs. Stroke

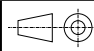


Dimensions - PC25

Dimensions for Inline Style with RediMount Flange



- A1: grease port
- A2: M3 thread, max. depth 10 mm.
- A3: male threaded rod end shown, see ordering key and accessories for information on all available ends.
- A4: side of cover tube for mounting of sensors.
- A5: distance to center of coupling tightening hole.

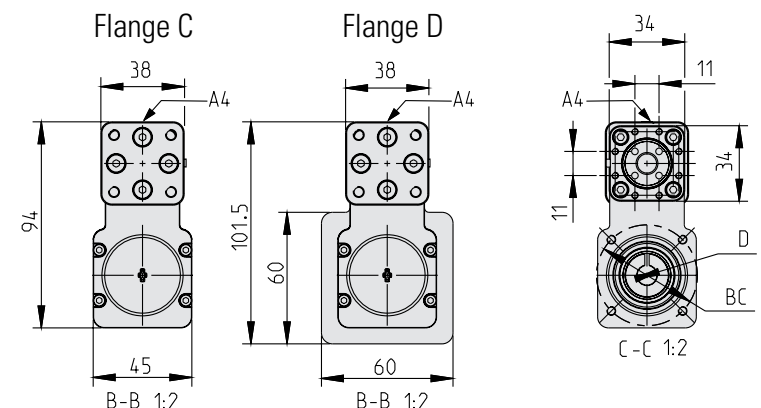
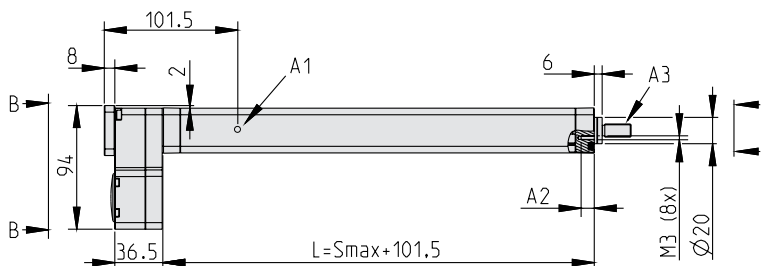
Dimensions	Projection
METRIC	

Bell House Length (C)	
Motor shaft length [mm]	C [mm]
19 - 24	52
24 - 29	57
29 - 34	62
34 - 39	67

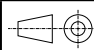
RediMount Flange Motor Dimensions Compatibility		
Motor data	Flange A [mm]	Flange B [mm]
Bolt circle diameter (BC)	43.8 - 48	48 - 72
Shaft diameter	5 - 11	
Shaft length	19 - 39	
Pilot diameter	16 - 36	16 - 54
Pilot length	max. 4	

Weight of Unit [kg]
0.543 + (S [mm] × 0.0021)

Dimensions for Parallel Style with RediMount Motor Flange



- A1: grease port
- A2: M3 thread, max. depth 10 mm.
- A3: male threaded rod end shown, see ordering key and accessories for information on all available ends.
- A4: side of cover tube for mounting of sensors.

Dimensions	Projection
METRIC	

RediMount Flange Motor Dimensions Compatibility		
Motor data	Flange C [mm]	Flange D [mm]
Bolt circle diameter (BC)	25 - 51	51 - 72
Shaft diameter	5 - 10	
Shaft length	13 - 35	
Pilot diameter	16 - 39	16 - 54
Pilot length	max. 4	
Motor square/diameter	max. 66.5	

Weight of Unit [kg]
0.778 + (S [mm] × 0.0021)

Specifications - PC32



Standard Features and Benefits

- Compact, robust and reliable
- Stroke up to 1200 mm
- Load up to 3200 N
- Speed up to 1 m/s
- Stainless steel extension tube
- IP65 as standard
- Mounting accessories according to pneumatic ISO standard

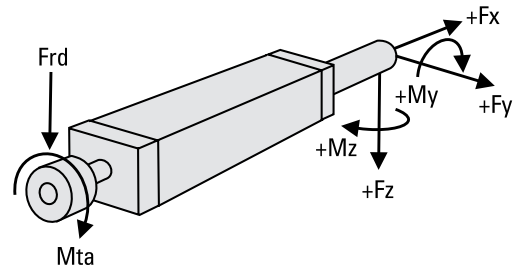
General Specifications

Parameter	PC32
Profile size (w x h) [mm]	45 x 45
Type of screw	ball screw
Protection class	IP65
Lubrication	one point lubrication of ball screw

Performance Specifications

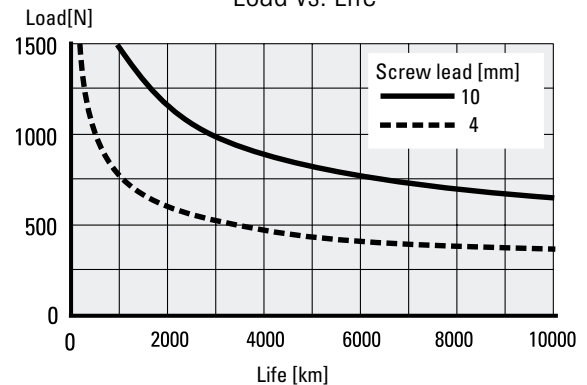
Parameter		PC32
Stroke length (S max), maximum	[mm]	1200
Linear speed, maximum	[m/s]	1
Acceleration, maximum	[m/s ²]	10
Repeatability	[± mm]	0.01
Input speed, maximum	[rpm]	6000
Operation temperature limits	[°C]	-20 – +70
Dynamic load (Fx), maximum	[N]	3200
Dynamic load (Fy), maximum	[N]	20
Dynamic load (Fz), maximum	[N]	20
Dynamic load torque (Mz, My), maximum	[Nm]	25
Screw versions, diameter (d0) / lead (p)	[mm]	12/04, 12/10
Drive shaft force (Frd), maximum	[N]	300
Input torque, maximum (RediMount models)	[Nm]	5.1
Drive shaft torque (Mta), maximum	[Nm]	9.2

Definition of Forces

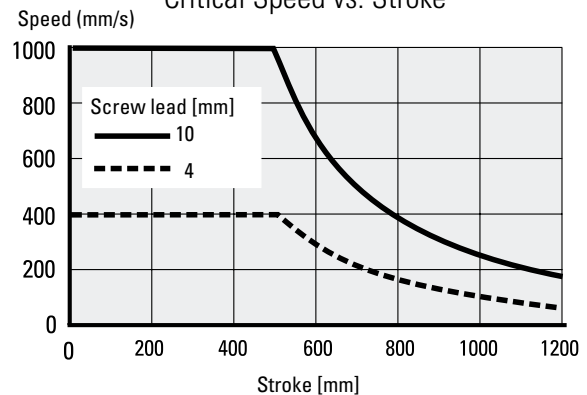


Performance Diagrams

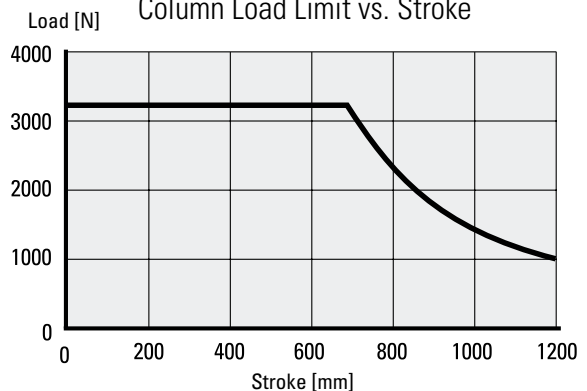
Load vs. Life



Critical Speed vs. Stroke

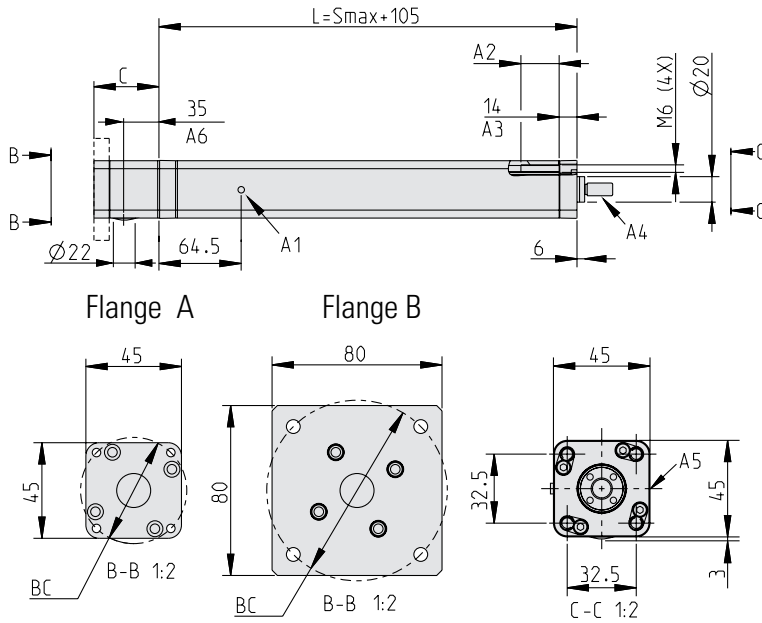


Column Load Limit vs. Stroke

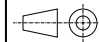


Dimensions - PC32

Dimensions for Inline Style with RediMount Motor Flange



A1: grease port A2: M6 thread, max. depth 30 mm A3: no thread
 A4: male threaded rod end shown, see ordering key and accessories for information on all available ends.
 A5: side of cover tube for mounting of sensors. A6: distance to center of coupling tightening hole.

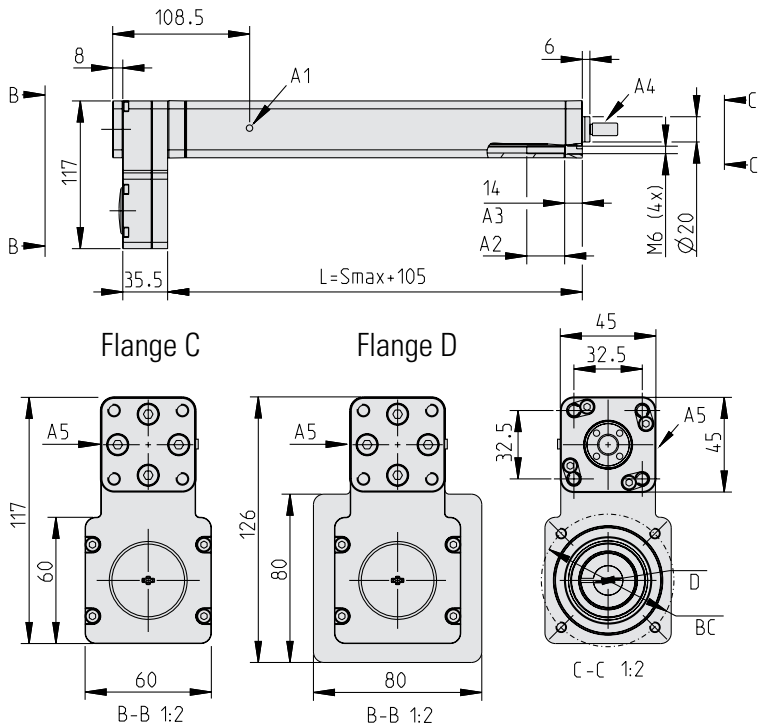
Dimensions	Projection
METRIC	

Bell House Length (C)	
Motor shaft length [mm]	C [mm]
20 - 27	59
27 - 34	66
34 - 41	73

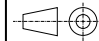
RediMount Flange Motor Dimensions Compatibility		
Motor data	Flange A [mm]	Flange B [mm]
Bolt circle diameter (BC)	37 - 50	50 - 99
Shaft diameter	5 - 16	
Shaft length	20 - 41	
Pilot diameter	16 - 39	16 - 75
Pilot length	max. 4	

Weight of Unit [kg]
$0.681 + (S \text{ [mm]} \times 0.0034)$

Dimensions for Parallel Style with RediMount Motor Flange



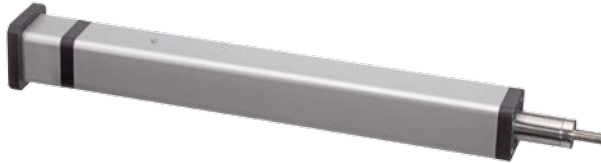
A1: grease port
 A2: M6 thread, max. depth 30 mm A3: no thread
 A4: male threaded rod end shown, see ordering key and accessories for information on all available ends.
 A5: side of cover tube for mounting of sensors.

Dimensions	Projection
METRIC	

RediMount Flange Motor Dimensions Compatibility		
Motor data	Flange C [mm]	Flange D [mm]
Bolt circle diameter (BC)	25 - 72	72 - 99
Shaft diameter	5 - 14	
Shaft length	15 - 34	
Pilot diameter	16 - 54	16 - 74
Pilot length	max. 4	
Motor square/diameter	max. 82.5	

Weight of Unit [kg]
$1.221 + (S \text{ [mm]} \times 0.0034)$

Specifications - PC40



Standard Features and Benefits

- Compact, robust and reliable
- Stroke up to 1200 mm
- Load up to 6000 N
- Speed up to 1.66 m/s
- Stainless steel extension tube
- IP65 as standard
- Mounting accessories according to pneumatic ISO standard

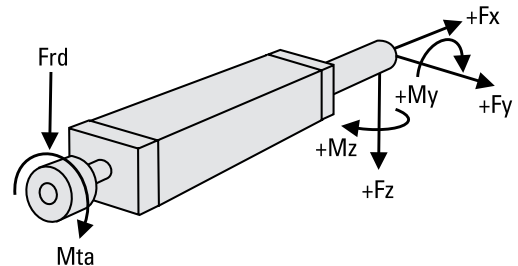
General Specifications

Parameter	PC40
Profile size (w × h) [mm]	55 × 55
Type of screw	ball screw
Protection class	IP65
Lubrication	one point lubrication of ball screw

Performance Specifications

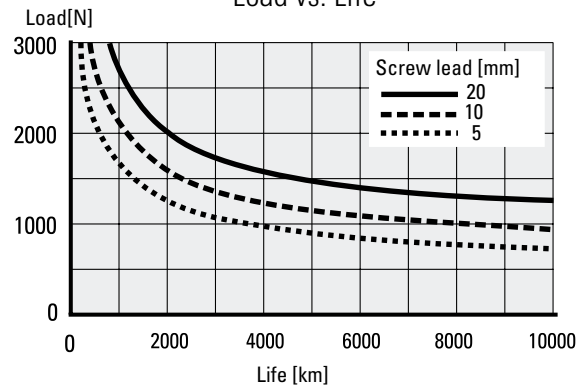
Parameter		PC40
Stroke length (S max), maximum	[mm]	1200
Linear speed, maximum	[m/s]	1.66
Acceleration, maximum	[m/s ²]	10
Repeatability	[± mm]	0.01
Input speed, maximum	[rpm]	5000
Operation temperature limits	[°C]	-20 – +70
Dynamic load (Fx), maximum	[N]	6000
Dynamic load (Fy), maximum	[N]	50
Dynamic load (Fz), maximum	[N]	50
Dynamic load torque (Mz, My), maximum	[Nm]	25
Screw versions, diameter (d0) / lead (p)	[mm]	20/05, 20/10, 20/20
Drive shaft force (Frd), maximum	[N]	650
Input torque, maximum (RediMount models)	[Nm]	5.8
Drive shaft torque (Mta), maximum	[Nm]	24

Definition of Forces

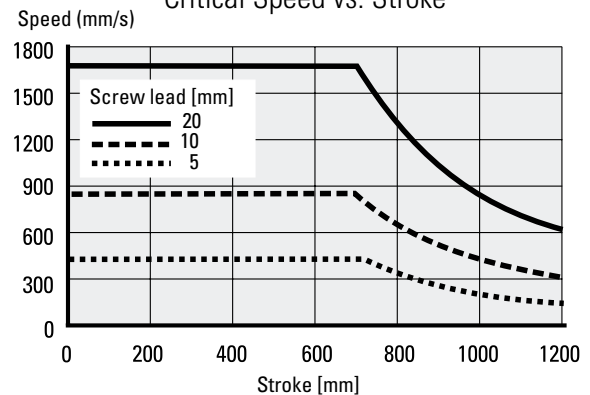


Performance Diagrams

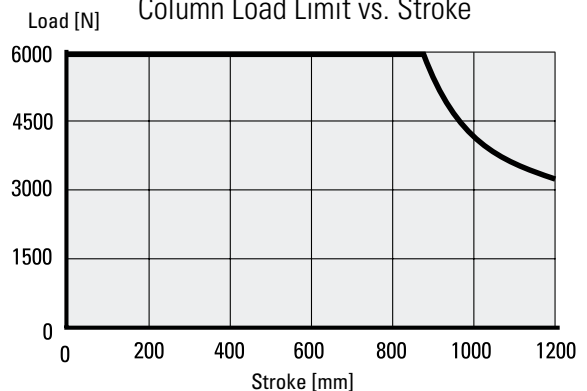
Load vs. Life



Critical Speed vs. Stroke

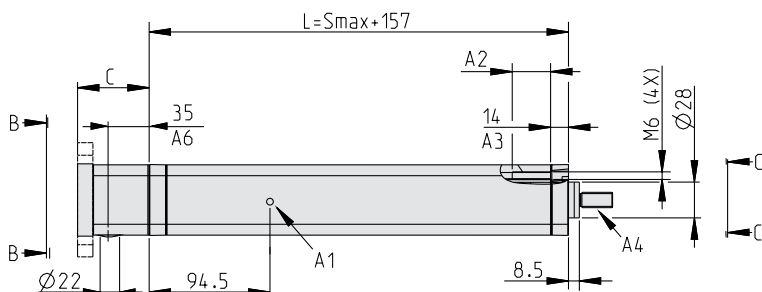


Column Load Limit vs. Stroke



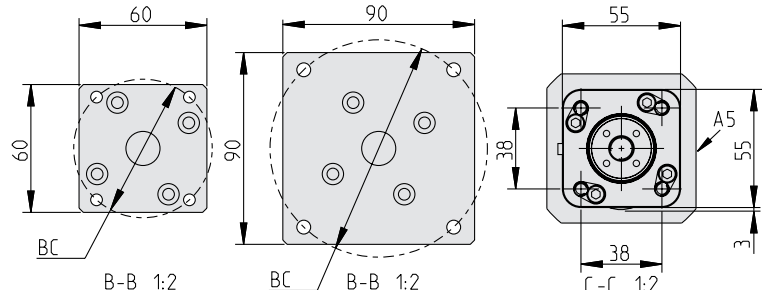
Dimensions and Performance Diagrams - PC40

Dimensions for Inline Style with RediMount Motor Flange



Flange A

Flange B



A1: grease port A2: M6 thread, max. depth 30 mm A3: no thread
 A4: male threaded rod end shown, see ordering key and accessories for information on all available ends.
 A5: side of cover tube for mounting of sensors. A6: distance to center of coupling tightening hole.

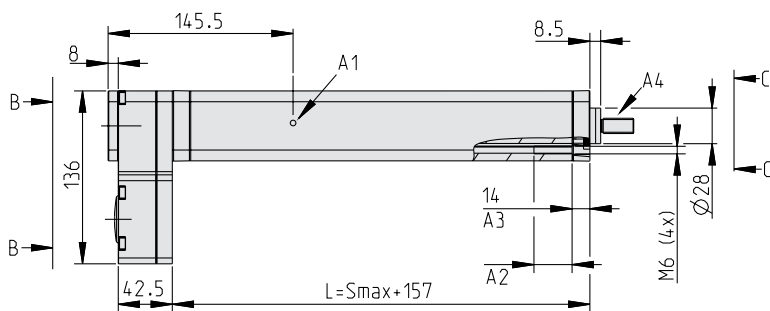
Dimensions	Projection
METRIC	

Bell House Length (C)	
Motor shaft length [mm]	C [mm]
20 - 27	62
27 - 34	69
34 - 41	76

RediMount Flange Motor Dimensions Compatibility		
Motor data	Flange A [mm]	Flange B [mm]
Bolt circle diameter (BC)	37 - 72	72 - 107
Shaft diameter	5 - 16	
Shaft length	20 - 41	
Pilot diameter	16 - 54	16 - 85
Pilot length	max. 4	

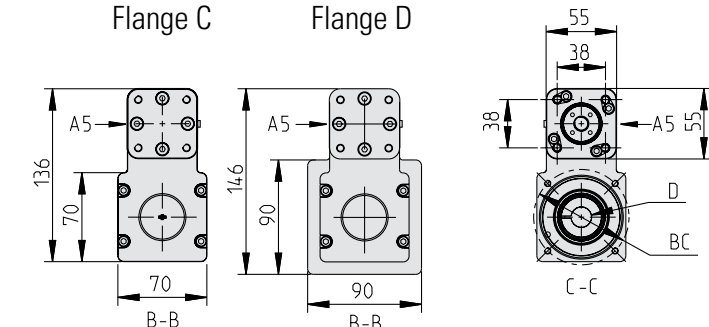
Weight of Unit [kg]
1.853 + (S [mm] × 0.0052)

Dimensions for Parallel Style with RediMount Motor Flange



Flange C

Flange D



A1: grease port
 A2: M6 thread, max. depth 30 mm A3: no thread
 A4: male threaded rod end shown, see ordering key and accessories for information on all available ends.
 A5: side of cover tube for mounting of sensors.

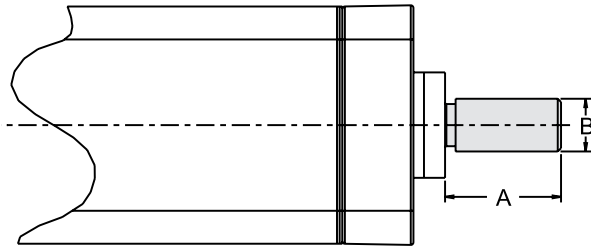
Dimensions	Projection
METRIC	

RediMount Flange Motor Dimensions Compatibility		
Motor data	Flange C [mm]	Flange D [mm]
Bolt circle diameter (BC)	26 - 85	85 - 107
Shaft diameter	5 - 16	
Shaft length	15 - 41	
Pilot diameter	16 - 64	16 - 85
Pilot length	max. 4	
Motor square/diameter	max. 90.5	

Weight of Unit [kg]
2.318 + (S [mm] × 0.0052)

Accessories

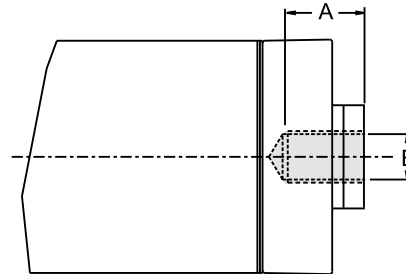
Male Threaded Rod End



The male threaded rod end comes mounted from the factory if the ordering code states that the unit shall be equipped with one.

	A	B
PC25	22	M10 × 1.25
PC32	22	M10 × 1.25
PC40	26	M12 × 1.25

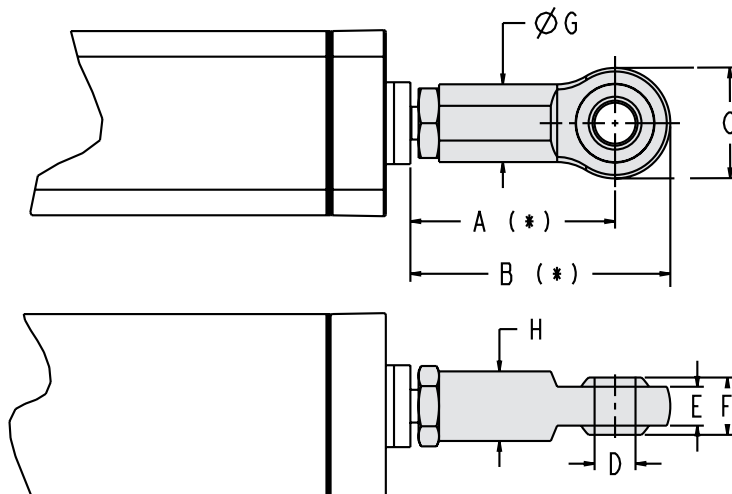
Female Threaded Rod End



The female threaded rod end comes mounted from the factory if the ordering code states that the unit shall be equipped with one.

	A	B
PC25	15	M10 × 1.25
PC32	15	M10 × 1.25
PC40	18	M12 × 1.25

Spherical Joint



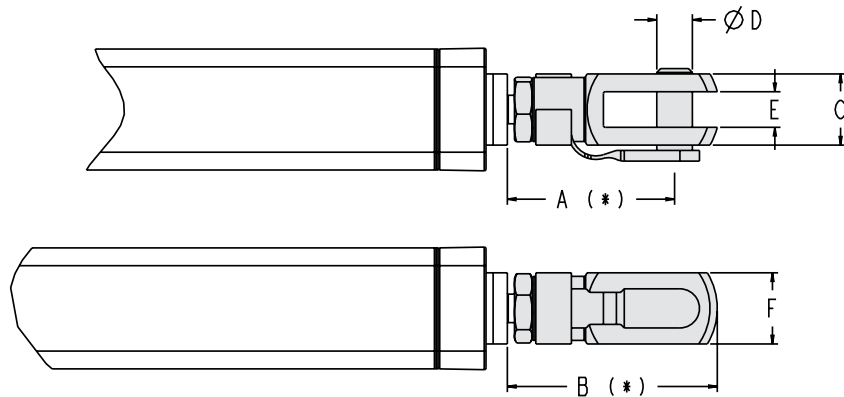
The spherical joint comes mounted from the factory if the ordering code states that the unit shall be equipped with one, but it can also be ordered as a separate part using the part number. To be able to mount a separate spherical joint the extension tube must be equipped with a male threaded rod end.

	A (REF.) *	B (REF.) *	C	D (Ø)	E (H9)	F	G	H	p/n
PC25	50	64	28	10	10.5	14	19	17	D607 406
PC32	50	64	28	10	10.5	14	19	17	D607 407
PC40	58	74	32	12	12	16	22	19	D607 408

* assuming 2 mm gap from jam nut to shoulder.

Accessories

Front Clevis

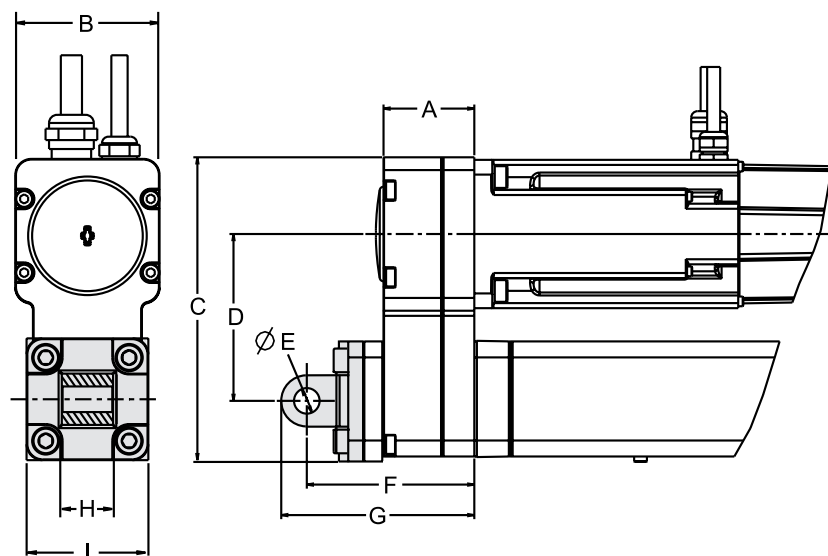


The front clevis comes mounted from the factory if the ordering code states that the unit shall be equipped with one, but it can also be ordered as a separate part using the part number. To be able to mount a separate front clevis the extension tube must be equipped with a male threaded rod end.

	A (REF.) *	B (REF.) *	C	D (Ø h11)	E (B11)	F	p/n
PC25	47	59	20	10	10	20	D607 409
PC32	47	59	20	10	10	20	D607 410
PC40	56	70	24	12	12	24	D607 411

* assuming 2 mm gap from jam nut to shoulder.

Rear Clevis for PC25 Parallel Style Actuators

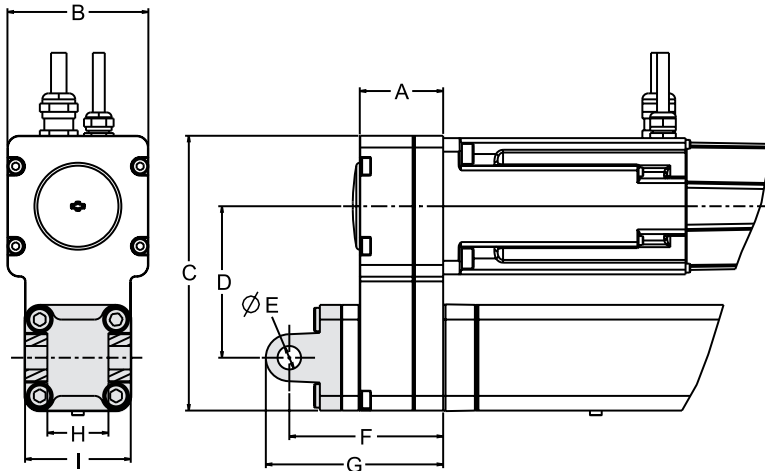


The rear clevis consists of a bracket and comes mounted from the factory if the ordering code states that the unit shall be equipped with one. It can also be ordered as a separate part (all necessary actuator attachment screws are included) using the part number.

	A	B	C	D	E (Ø H9)	F	G	H (h14)	I	p/n
PC25	36	45	92	51	8	64	72	16	38	D607 412

Accessories

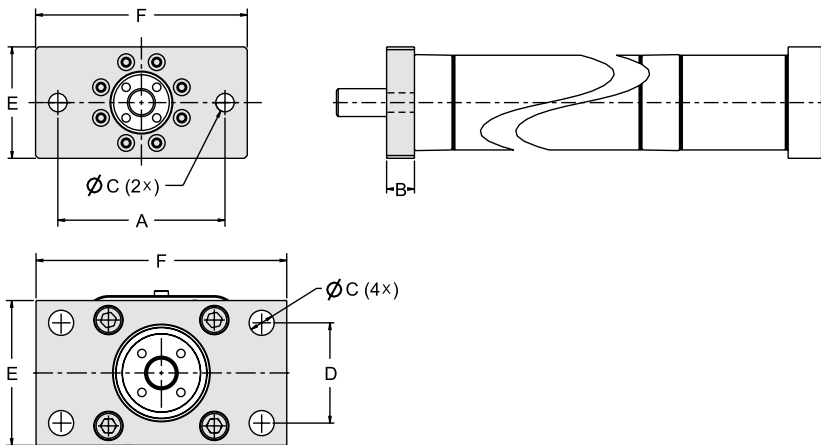
Rear Clevis for PC32 and PC40 Parallel Style Actuators



The rear clevis consists of a bracket and comes mounted from the factory if the ordering code states that the unit shall be equipped with one. It can also be ordered as a separate part using the part number in which case it is delivered with the necessary screws to attach it to the actuator.

	A	B	C	D	E (Ø H9)	F	G	H (H14)	I	p/n
PC32	35,5	60	117	64,5	10	65.5	75,5	26	45	D607 413
PC40	42,5	70	136	73,5	12	75.5	88	28	52	D607 414

Front Mounting Plate

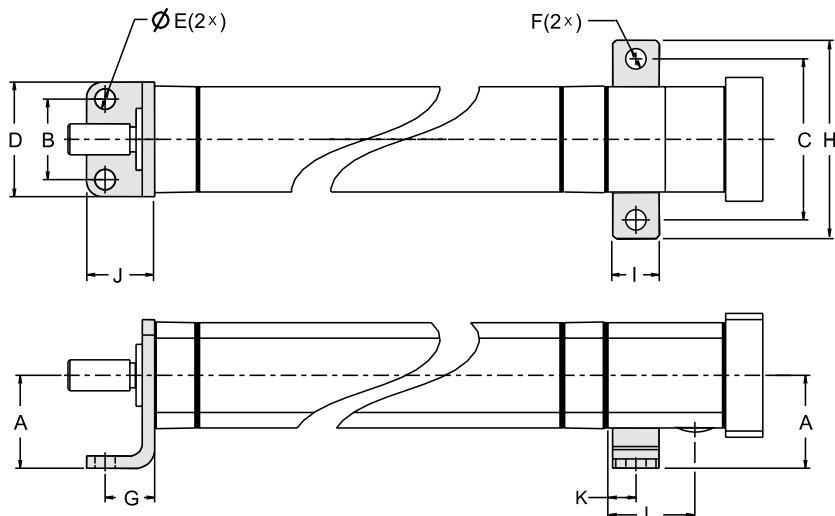


The front mounting plate consists of a plate and comes mounted from the factory if the ordering code states that the unit shall be equipped with one. It can also be ordered as a separate part using the part number in which case it is delivered with the necessary screws to attach it to the actuator.

	A	B	C	D	E	F	p/n
PC25	60	10	6.6 (2x)	-	40	76	D607 415
PC32	64	10	7.0 (4x)	32	45	80	D607 416
PC40	72	10	9.0 (4x)	36	52	90	D607 417

Accessories

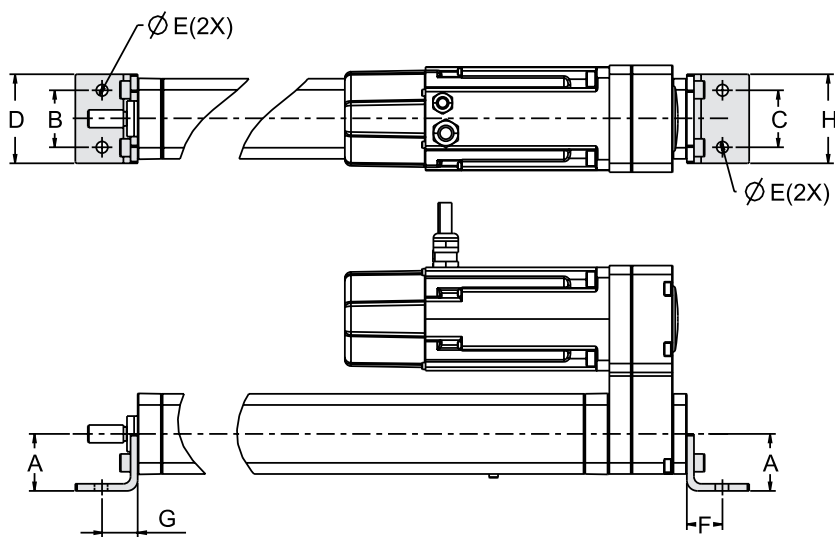
Foot Mount for Inline Style Actuators



The foot mount consists of a front and rear bracket and comes mounted from the factory if the ordering code states that the unit shall be equipped with one. It can also be ordered as a separate part (all necessary actuator attachment screws are included) using the part number.

	A (JS15)	B	C	D	E	F	G	H	I	J	K	L	p/n
PC25	30	26	52	37	6.6	6.6	16	64	15	22	8.5	28	D607 418
PC32	32	32	65	45	6.6	6.6	24	78	15	35	8.5	35	D607 419
PC40	36	36	70	52	9	6.6	28	85	15	36	8.5	38.5	D607 420

Foot Mount for Parallel Style Actuators



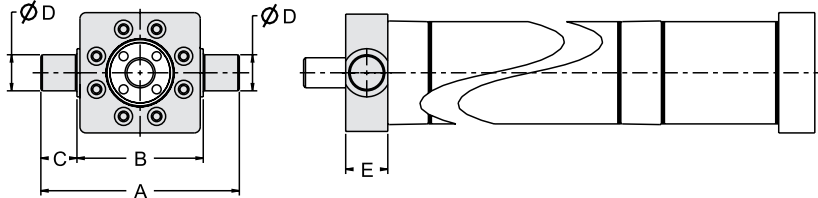
The foot mount consists of a front and rear bracket and comes mounted from the factory if the ordering code states that the unit shall be equipped with one. It can also be ordered as a separate part (all necessary actuator attachment screws are included) using the part number.

	A	B	C	D	E	F	G	H	p/n
PC25	30	26	26	37	6,6	16	16	40	D607 421
PC32	32	32	32	45	6,6	24	24	45	D607 422
PC40	36	36	52	52	9	28	28	52	D607 423

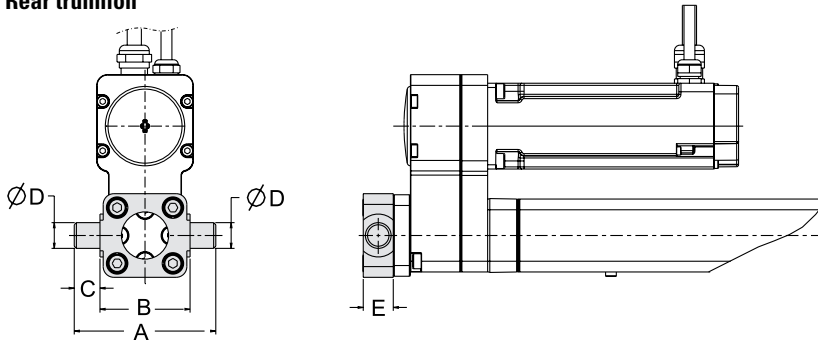
Accessories

Fixed Front Trunnion / Fixed Rear Trunnion Parallel Style Actuators

Front trunnion



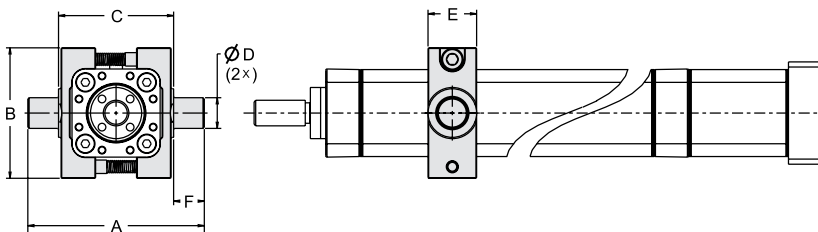
Rear trunnion



The fixed front and rear trunnions consist of a plate with two shafts and come mounted from the factory if the ordering code states that the unit shall be equipped with one. They can also be ordered as a separate parts (all necessary actuator attachment screws are included) using the part numbers. The rear trunnion can only be mounted on to the belt gear on parallel style actuators.

	A (REF.)	B (h14)	C (h14)	D (e9)	E	p/n	
						Front	Rear
PC25	66	42	12	12	14	D607 424	D607 433
PC32	74	50	12	12	14	D607 425	D607 434
PC40	95	63	16	16	19	D607 426	D607 435

Movable Cover tube Trunnion

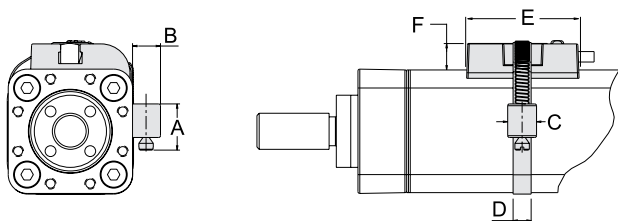


The movable trunnion consists of two clamp units that each have a shaft. The two clamp units are put around the profile of the unit at desired position and joined and locked in place by the lock screws. The movable trunnion comes mounted from the factory if the ordering code states that the unit shall be equipped with one. It can also be ordered as a separate part (all necessary actuator attachment screws are included) using the part number.

	A	B	C (h14)	D (Ø e9)	E	F (h14)	p/n
PC25	45	51	45	12	19	12	D607 427
PC32	74	65	50	12	25	12	D607 428
PC40	95	75	63	16	28	16	D607 429

Accessories

Sensor Bracket

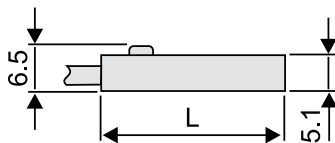


The bracket can be installed over the left or right corner of the cover tube surface under which the sensor magnet travels. The bracket comes with all necessary items to mount it to the actuator. Sensors are supplied separately, see list for available suitable sensors.

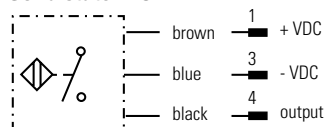
	A (REF.)	B (h14)	C (h14)	D (e9)	E	F	p/n
PC25	12.5	8	8	5	31	7.4	D607 430
PC32	12.5	8	8	5	31	7.4	D607 431
PC40	12.5	8	8	5	31	7.4	D607 432

Sensors for Sensor Bracket

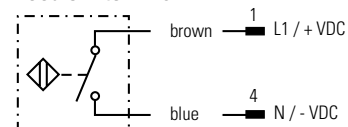
Sensor



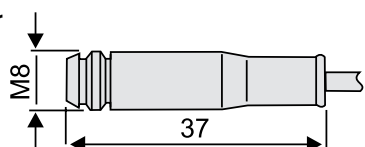
Solid state N.O.



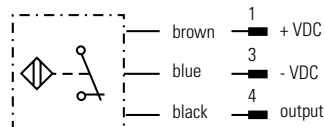
Reed switch N.O.



Connector



Solid state N.C.



Connector



	Solid State Sensor		Solid State Sensor		Solid State Sensor		Reed Switch Sensor	
Contact type	normally open (N.O.)		normally closed (N.C.)		normally open (N.O.)		normally open (N.O.)	
Output type	PNP		PNP		NPN		potential free contact	
Voltage [VDC/AC]	10 - 30 / -		10 - 30 / -		10 - 30 / -		5 -120 / 5 -120	
Max. current [mA]	100		100		100		100	
Operating temperature [°C]	- 25 to + 85		- 25 to + 85		- 25 to + 85		- 25 to + 70	
Lead cross section [mm ²]	3 × 0.14		3 × 0.14		3 × 0.14		2 × 0.14	
Length (L) [mm]	25.3		25.3		25.3		30.5	
Protection class	IP 67		IP 67		IP 67		IP 67	
Connection	flying leads	0.3 m PUR cable with connector	flying leads	0.3 m PUR cable with connector	flying leads	0.3 m PUR cable with connector	flying leads	0.3 m PUR cable with connector
p/n	D607 362	D607 363	D607 366	D607 367	D607 365	D607 364	D607 368	D607 369

Sensor Extension Cable With Connector

Type	Length	p/n
PUR cable with M8 connector and flying leads (suits all above sensors with connector)	10 m	D607 370

How To Order

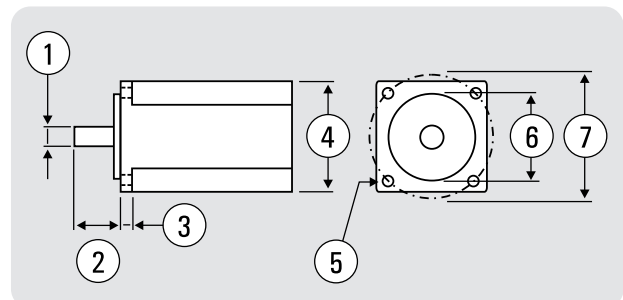
The PC-Series™ ordering key provides a quick overview of the product versions available. It is important to consider many details of your application when selecting a product, including the loads and speeds required as well as the product environment and necessary accessories. Use our online selection tool at www.thomsonlinear.com/pcseries or contact us for further support.

Ordering Key								
1	2	3	4	5	6	7	8	9
PC	25	LX	423	B10-	0270	M	J	1
<p>1. Actuator type PC = PC-Series precision linear actuator</p> <p>2. Size 25 = profile size 34 × 34 mm 32 = profile size 45 × 45 mm 40 = profile size 55 × 55 mm</p> <p>3. Transmission type SX = inline style, directly coupled, no RediMount flange LX = inline style, directly coupled, RediMount flange PA = parallel style, 1:1 belt gear in standard position</p> <p>4. RediMount motor ID ⁽¹⁾ 000 – 998 = code for suitable flange when customers choice of motor is known 999 = code used when customers choice of motor is unknown XXX = code used when unit has no RediMount flange. ⁽²⁾</p> <p>5. Screw type and lead B03– = ball screw, 3 mm lead (possible for PC25 only) B04– = ball screw, 4 mm lead (possible for PC32 only) B05– = ball screw, 5 mm lead (possible for PC40 only) B10– = ball screw, 10 mm lead (possible for all sizes) B20– = ball screw, 20 mm lead (possible for PC40 only)</p>					<p>6. Stroke length (S max) 0000 – 9999 = distance in mm</p> <p>7. Cylinder mounting R = rear trunnion (fixed, mounted on belt gear) C = rear clevis F = feet kit M = trunnion (movable) T = front trunnion (fixed, mounted on front housing) P = front mounting plate X = without any cylinder mounting</p> <p>8. Rod end M = male thread (standard) F = female thread J = spherical joint C = front clevis</p> <p>9. Environmental 1 = IP65 rating (standard)</p> <p>(1) See section "RediMount™ Selection" below. (2) Always use XXX in combination with transmission type SX.</p>			

RediMount™ Selection

These are the key dimensions you need to know to be able to define the RediMount code and flange size for your choice of motor and PC-Series actuator.

1. Motor shaft diameter
2. Motor shaft length
3. Mounting flange thickness
4. Motor square/diameter size
5. Mounting bolt thru hole diameter
6. Motor pilot diameter
7. Mounting bolt circle



Let our online RediMount selection tool assist you!

www.thomsonlinear.com/pcseries

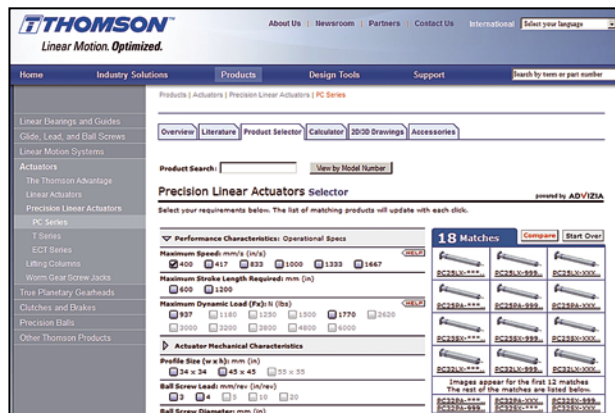
Online Sizing, Selection and Design Tools

Thomson offer a wide variety of online application, selection, and training tools to help you in the selection process. Together, with our direct contact customer support center, we can help you find the PC-Series™ actuator model that best fits your application needs. Visit www.thomsonlinear.com/pcseries for additional online information.

Product Selector

The product selector will walk you through the selection process.

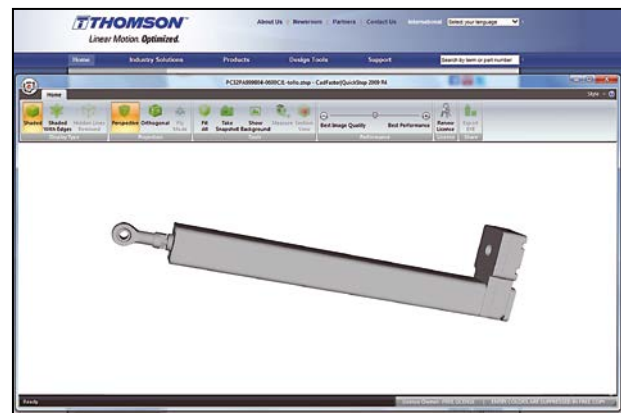
www.thomsonlinear.com/pcseries



Interactive 3D CAD Models

Download interactive 3D CAD models in the most common CAD formats for free.

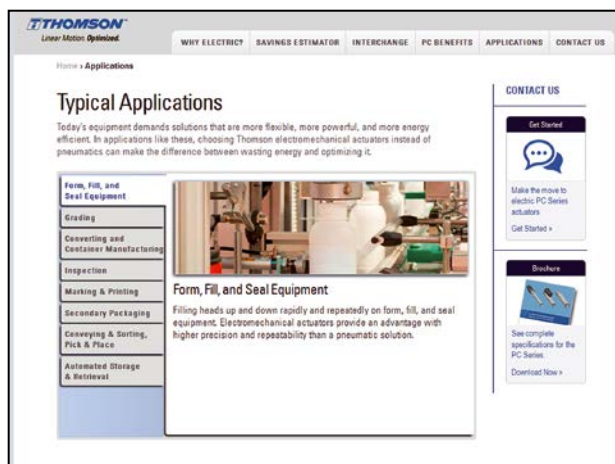
www.thomsonlinear.com/pcseries



PC-Series™ Microsite

Get additional information and learn more about the electromechanical advantage on our microsite.

www.thomsonlinear.com/conversion



Energy Cost Estimator

See how much you could save by switching from pneumatics cylinders.

www.thomsonlinear.com/pc_calc

