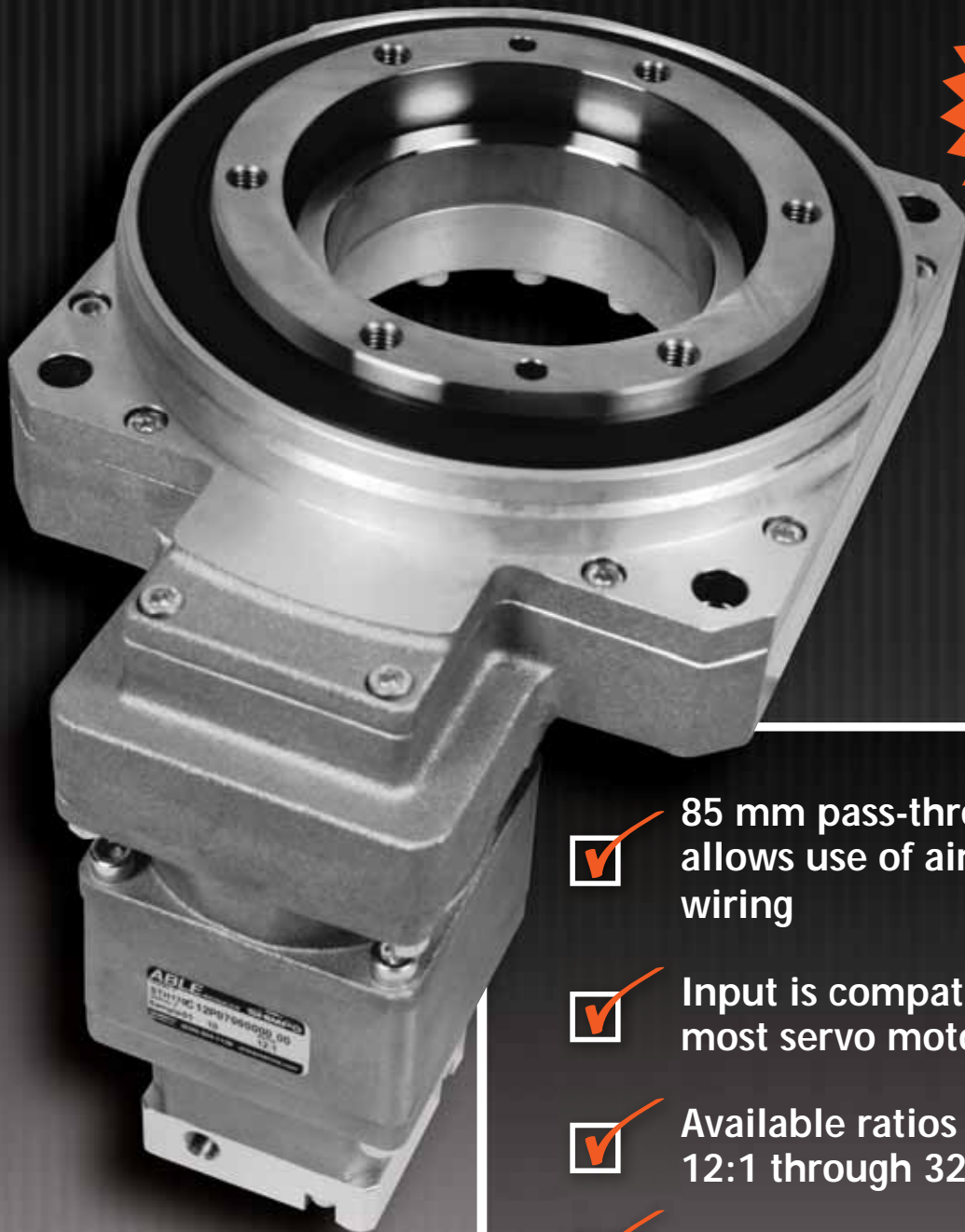


# SHIMPO STH-Series

## Hollow Output Rotary Actuators

**NEW**



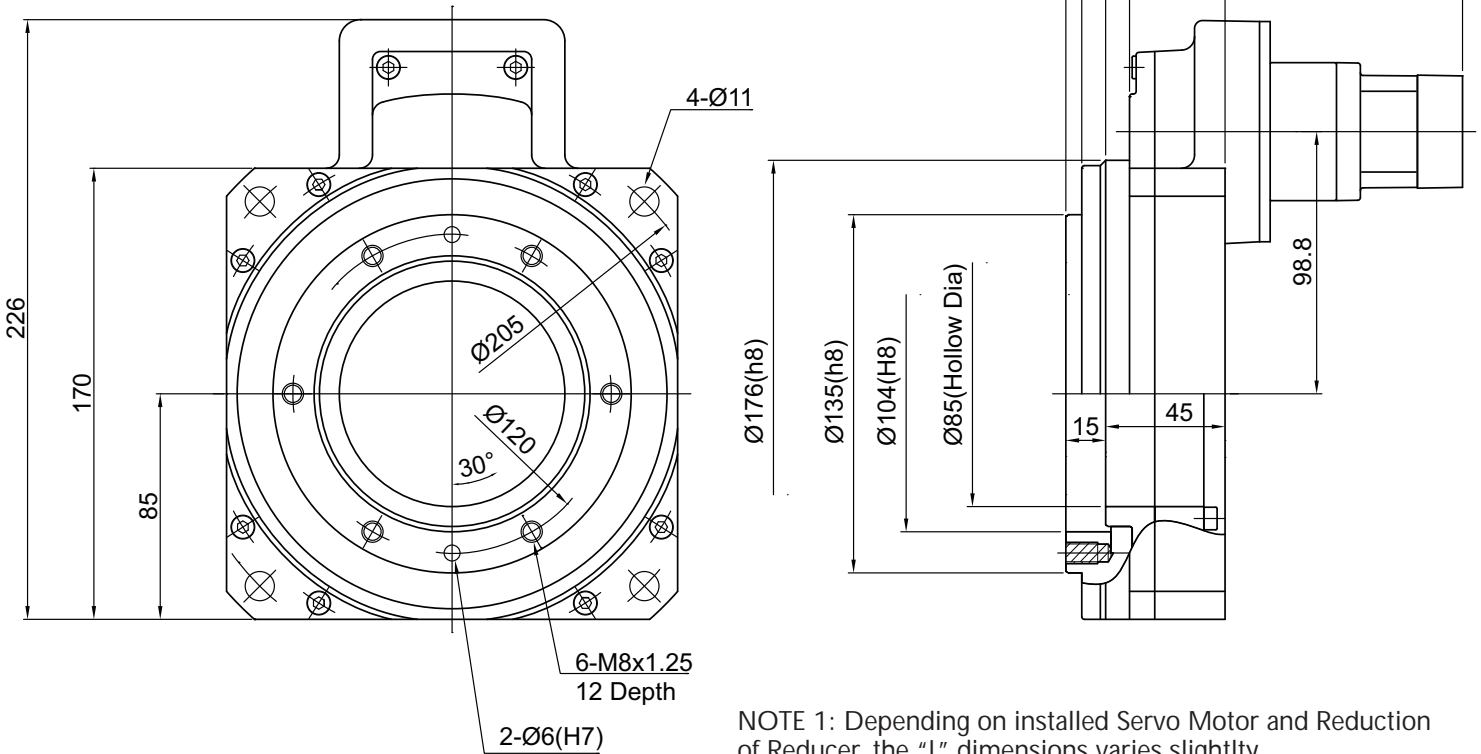
- ✓ 85 mm pass-through hole allows use of air lines or wiring
- ✓ Input is compatible with most servo motor brands
- ✓ Available ratios range from 12:1 through 324:1
- ✓ Shipped from stock

*Changing the  
Speed of Industry...*

# STHAF Dimensions & Specifications

Toll Free Phone (877) SERV098  
 Toll Free Fax (877) SERV099  
[www.electromate.com](http://www.electromate.com)  
[sales@electromate.com](mailto:sales@electromate.com)

| DIMENSION      |                  | SYMBOLS | FRAME SIZE       |       |       |       |
|----------------|------------------|---------|------------------|-------|-------|-------|
|                |                  |         | B                |       | C     |       |
| OVERALL LENGTH | Double Reduction | L       | mm               | In    | mm    | In    |
|                |                  |         | Triple Reduction |       | 149.5 | 5.886 |
|                |                  |         | 155.0            | 6.102 | 207.0 | 8.150 |



NOTE 1: Depending on installed Servo Motor and Reduction of Reducer, the "L" dimensions varies slightly.

## Typical Specifications

| Specifications                | Units                       | B                                       | C          |
|-------------------------------|-----------------------------|---|------------|
| Double Reduction Ratios       | _:1                         | 12 , 20 , 36                            |            |
| Triple Reduction Ratios       | _:1                         | 60 , 80 , 100 , 140 , 180 , 324         |            |
| Efficiency (at Rating Torque) | %                           | 70                                      | 85         |
| Max. Acceleration Torque      | Nm (in-lbs)                 | 36 (319)                                | 160 (1416) |
| Maximum Input Speed           | rpm                         | 6000                                    | 6000       |
| Emergency Stop Torque         | Nm (in-lbs)                 | 54 (478)                                | 240 (2124) |
| Nominal Torque                | Nm (in-lbs)                 | 18 (159)                                | 85 (752)   |
| Nominal Input Speed           | rpm                         | 3000                                    | 3000       |
| Backlash                      | arc-min                     | 10 (Standard) , 5 (Low) , 2 (Precision) |            |
| Torsional Stiffness           | Nm/arc-min (in-lbs/arc-min) | 7.6 (67.3)                              |            |
| Max. Output Shaft Thrust Load | N (lbs)                     | 4000 (900)                              | 4000 (900) |
| Unit Life                     | h                           | 20000                                   |            |
| Weight                        | kg (lbs)                    | 5.9 (13)                                | 7.4 (16)   |
| Noise Level (at No Load)      | dB-A                        | 65                                      | 65         |
| Maximum Unit Temp.            | °C (°F)                     | 90 (194)                                |            |
| Ambient Temp.                 | °C (°F)                     | 0-40 (32-104)                           |            |
| Lubrication                   | -                           | Grease                                  |            |
| Painting                      | -                           | Silver                                  |            |
| Protection                    | -                           | IP65                                    |            |