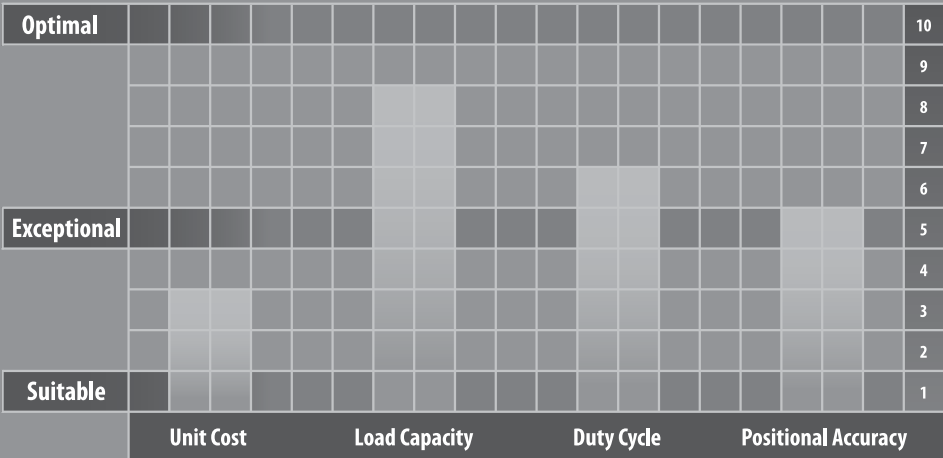
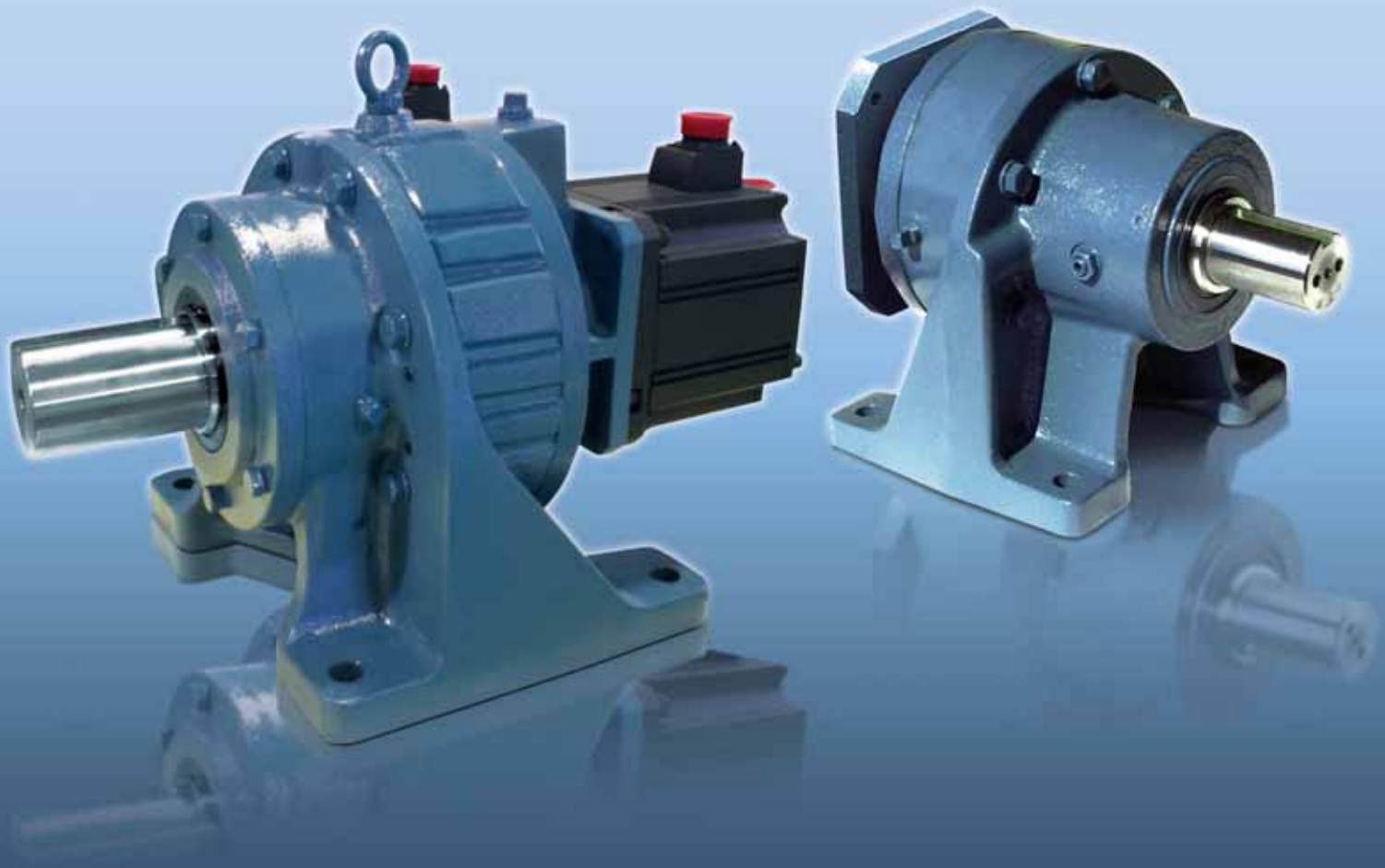


ER-SERIES

High reduction ratios, without sacrificing efficiency. Compact designs, without requiring special motors. Exceptional shock load capacity, without having to oversize. Greater overhung load capacities, without using expensive special components. The (Servo ER) Circulute is ideal for those applications in heavier industrial environments where a more robust cycloidal gearbox is necessary.

The dual pin-housing of the cycloidal provides the ability to pre-load one wheel against the other reducing the output shaft backlash to less than 6 arc-min. The long output shaft bearing span provides exceptional overhung load capabilities. At 3,000 rpm input the (Servo ER) Circulute can handle motors up to 12 kW and single reduction ratios ranging from 11:1 to 71:1.





ER-SERIES

- High efficiency cycloidal reducer design
- Multiple inputs: NEMA C-Face, Servo Square Flange, Shaft Input, Shovel Base, Top Mount
- Straddle mount output shaft bearings (sizes D, E, F)
- Multiple mounting options: Base, flange, ring
- Readily available
- Assembled in the USA

Sold & Serviced By:

 **ELECTROMATE**

Toll Free Phone (877) SERV098

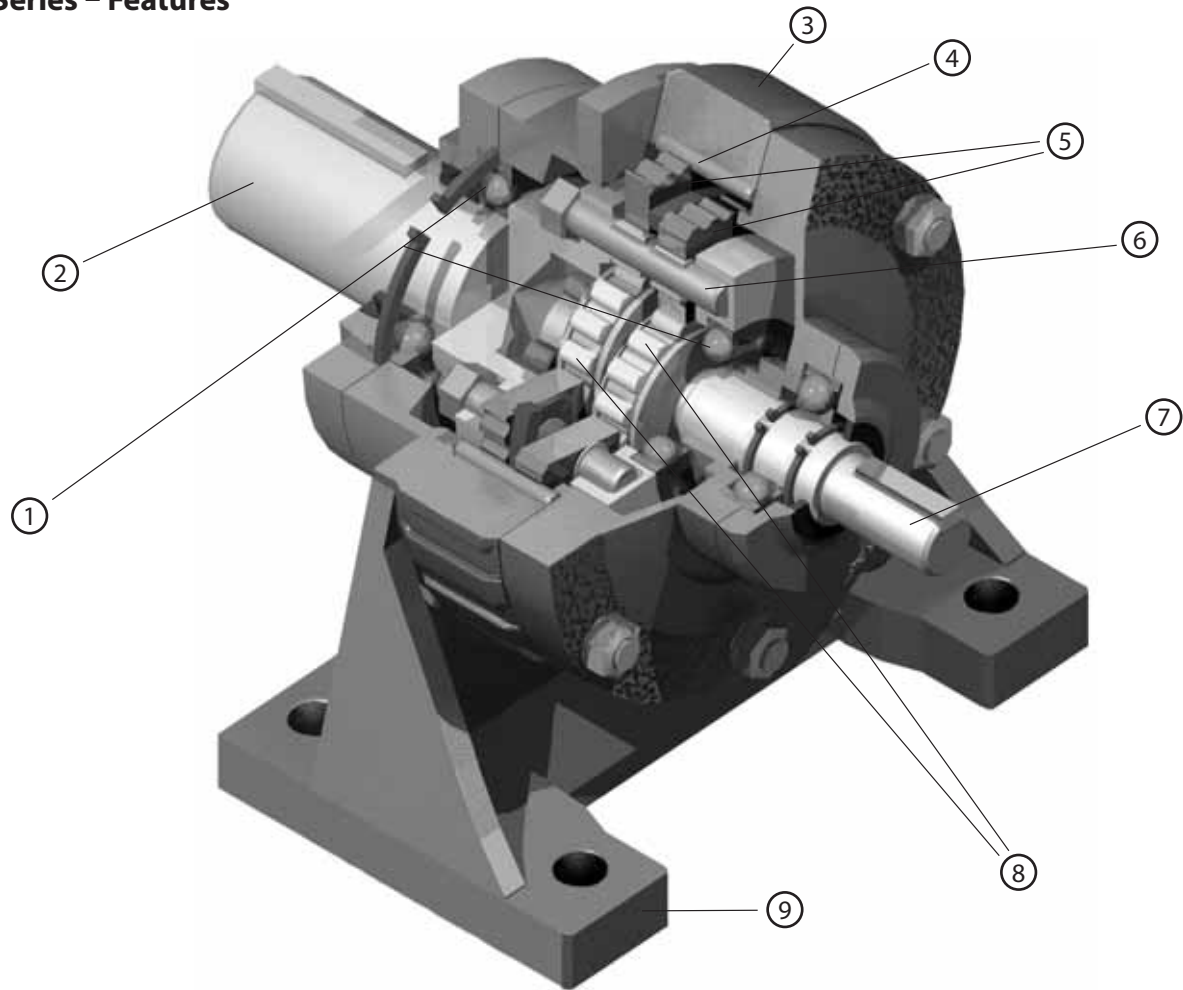
Toll Free Fax (877) SERV099

www.electromate.com

sales@electromate.com

ER-SERIES Circulute 3000 cycloidal reducer

ER-Series – Features



- ① Output shaft bearings
- ② Output shaft
- ③ Internal pin housing
- ④ Internal pin
- ⑤ Wheels
- ⑥ Carrier pins
- ⑦ Input shaft
- ⑧ Eccentric roller bearings
- ⑨ Various mounting options

Sold & Serviced By:

 **ELECTROMATE**

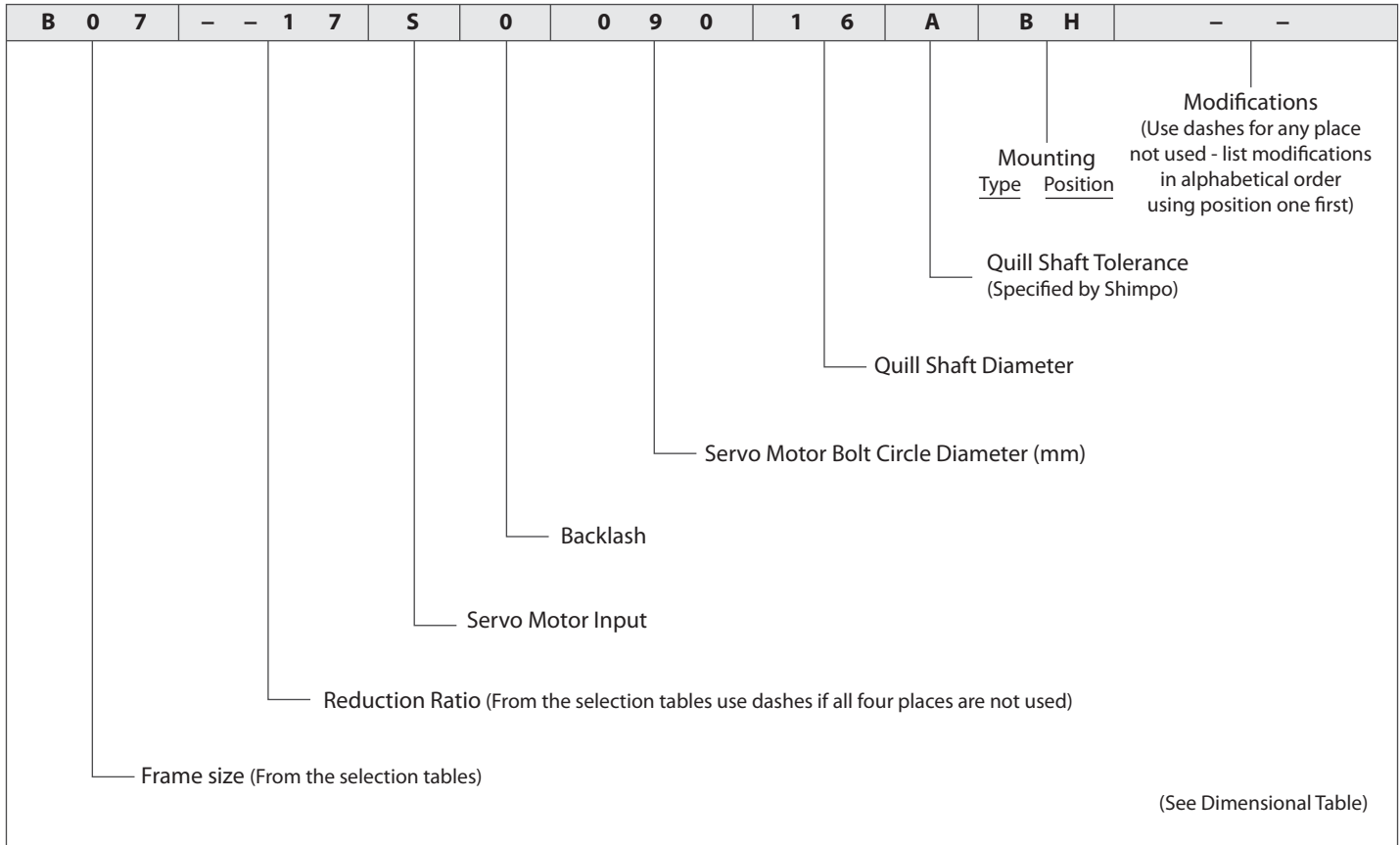
Toll Free Phone (877) SERV098

Toll Free Fax (877) SERV099

www.electromate.com

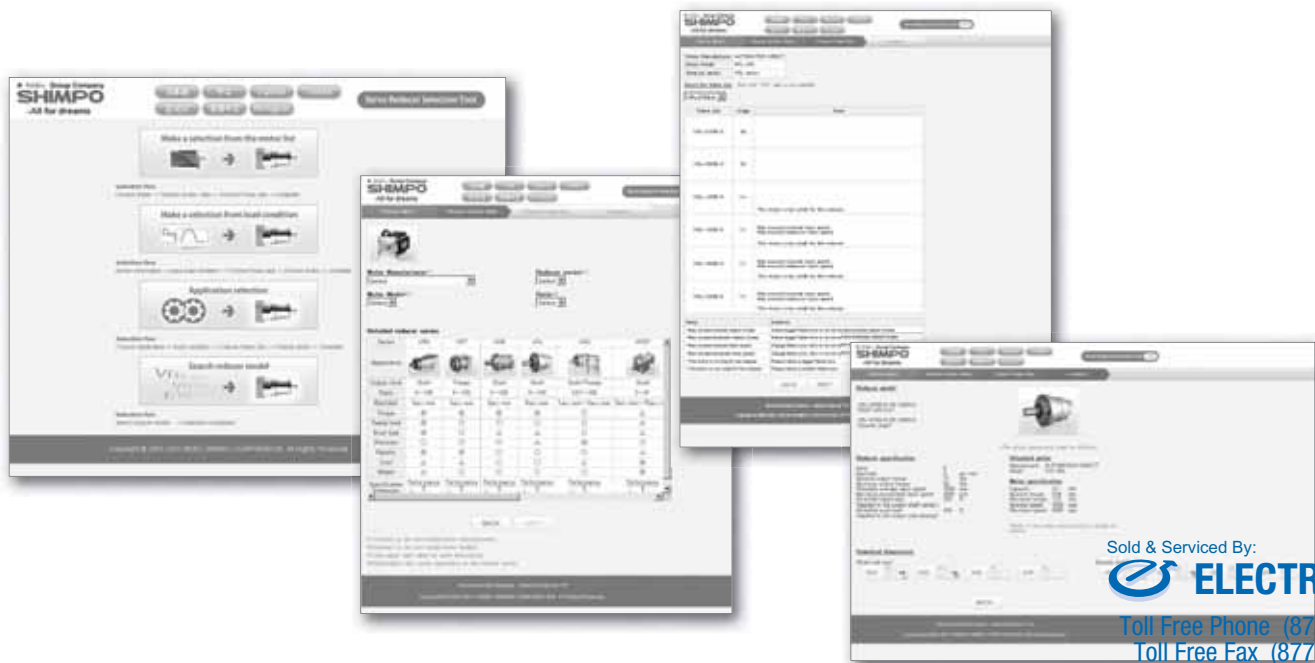
sales@electromate.com

ER-Series – Model Code



Backlash

- *1) Standard Backlash: Approximately 60 arc-min - 0
- *2) Precision Backlash: Less than 6 arc-min - P



Sold & Serviced By:

Toll Free Phone (877) SERV098
 Toll Free Fax (877) SERV099
www.electromate.com
sales@electromate.com

Rating Table - 3000 rpm Input, Single Reduction, Precision Backlash (less than 6 arc-min)

| Frame Size | Ratio | Units | Notes | 11 | 17 | 29 | 35 | 47 | 59 | 71 |
|------------|---------------------------|-----------------------|-------|--------|--------|--------|--------|--------|--------|--------|
| B03 | Input | [kW] | -- | 1.430 | 1.160 | 0.710 | 0.560 | 0.390 | 0.320 | 0.250 |
| | Nominal Output Torque | [Nm] | *1 | 45.000 | 56.300 | 59.200 | 56.600 | 52.800 | 54.000 | 51.400 |
| | Emergency Stopping Torque | [Nm] | *2 | 112 | 141 | 148 | 141 | 132 | 135 | 128 |
| | Torsional Rigidity | [Nm/arc-min] | -- | 3.000 | 4.700 | 5.000 | 5.400 | 5.400 | 5.400 | 5.400 |
| | Moment of Inertia | [kg-cm ²] | -- | 0.716 | 0.969 | 0.927 | 0.927 | 0.927 | 0.927 | 0.927 |
| B07 | Input | [kW] | -- | 1.900 | 1.540 | 0.950 | 0.750 | 0.520 | 0.430 | 0.340 |
| | Nominal Output Torque | [Nm] | *1 | 60.000 | 75.000 | 78.900 | 75.400 | 78.200 | 79.900 | 76.100 |
| | Emergency Stopping Torque | [Nm] | *2 | 150 | 188 | 197 | 189 | 196 | 200 | 190 |
| | Torsional Rigidity | [Nm/arc-min] | -- | 3.000 | 4.700 | 5.000 | 5.400 | 5.400 | 5.400 | 5.400 |
| | Moment of Inertia | [kg-cm ²] | -- | 0.716 | 0.969 | 0.927 | 0.927 | 0.927 | 0.927 | 0.927 |
| C03 | Input | [kW] | -- | 2.910 | 2.690 | 1.690 | 1.550 | 1.080 | 0.860 | 0.710 |
| | Nominal Output Torque | [Nm] | *1 | 91.700 | 131 | 140 | 155 | 145 | 145 | 144 |
| | Emergency Stopping Torque | [Nm] | *2 | 229 | 328 | 350 | 388 | 362 | 362 | 361 |
| | Torsional Rigidity | [Nm/arc-min] | -- | 6.200 | 11.200 | 11.900 | 12.600 | 12.600 | 12.600 | 12.600 |
| | Moment of Inertia | [kg-cm ²] | -- | 3.118 | 3.412 | 4.171 | 4.129 | 4.086 | 4.086 | 4.086 |
| C07 | Input | [kW] | -- | 3.880 | 3.590 | 2.250 | 2.060 | 1.430 | 1.140 | 0.950 |
| | Nominal Output Torque | [Nm] | *1 | 122 | 175 | 187 | 207 | 214 | 214 | 214 |
| | Emergency Stopping Torque | [Nm] | *2 | 306 | 437 | 467 | 517 | 536 | 536 | 535 |
| | Torsional Rigidity | [Nm/arc-min] | -- | 6.200 | 11.200 | 11.900 | 12.600 | 12.600 | 12.600 | 12.600 |
| | Moment of Inertia | [kg-cm ²] | -- | 3.118 | 3.412 | 4.171 | 4.129 | 4.086 | 4.086 | 4.086 |
| D03 | Input | [kW] | -- | 6.830 | 5.380 | 3.400 | 3.010 | 2.240 | 1.720 | 1.360 |
| | Nominal Output Torque | [Nm] | *1 | 215 | 262 | 282 | 302 | 302 | 290 | 277 |
| | Emergency Stopping Torque | [Nm] | *2 | 538 | 654 | 705 | 754 | 754 | 725 | 693 |
| | Torsional Rigidity | [Nm/arc-min] | -- | 17.800 | 23.000 | 25.200 | 27.400 | 27.400 | 27.400 | 27.400 |
| | Moment of Inertia | [kg-cm ²] | -- | 7.752 | 10.996 | 12.007 | 11.754 | 11.754 | 11.754 | 11.501 |
| D07 | Input | [kW] | -- | 9.110 | 7.170 | 4.530 | 4.010 | 2.990 | 2.290 | 1.820 |
| | Nominal Output Torque | [Nm] | *1 | 287 | 349 | 376 | 402 | 447 | 430 | 411 |
| | Emergency Stopping Torque | [Nm] | *2 | 718 | 872 | 940 | 1,010 | 1,120 | 1,070 | 1,030 |
| | Torsional Rigidity | [Nm/arc-min] | -- | 17.800 | 23.000 | 25.200 | 27.400 | 27.400 | 27.400 | 27.400 |
| | Moment of Inertia | [kg-cm ²] | -- | 7.752 | 10.996 | 12.007 | 11.754 | 11.754 | 11.754 | 11.501 |

*1) The reducer can continuously sustain this torque value without overheating

*2) The reducer can sustain this torque value for 1000 cycles without failure

*3) Acceleration torque is 1.5 times the nominal output torque

Sold & Serviced By:



Toll Free Phone (877) SERV098

Toll Free Fax (877) SERV099

www.electromate.com

sales@electromate.com

Rating Table - 2000 rpm Input, Single Reduction, Precision Backlash (less than 6 arc-min)

| Frame Size | Ratio | Units | Notes | 11 | 17 | 29 | 35 | 47 | 59 | 71 |
|------------|---------------------------|-----------------------|-------|---------|---------|---------|---------|---------|---------|---------|
| E03 | Input | [kW] | -- | 13.100 | 11.600 | 9.710 | 8.050 | 5.390 | 4.430 | 3.420 |
| | Nominal Output Torque | [Nm] | *1 | 618 | 849 | 1,210 | 1,210 | 1,090 | 1,120 | 1,040 |
| | Emergency Stopping Torque | [Nm] | *2 | 1,540 | 2,120 | 3,030 | 3,030 | 2,730 | 2,800 | 2,600 |
| | Torsional Rigidity | [Nm/arc-min] | -- | 54.800 | 70.400 | 85.200 | 85.200 | 85.200 | 85.200 | 85.200 |
| | Moment of Inertia | [kg-cm ²] | -- | 31.512 | 52.661 | 49.291 | 48.869 | 48.448 | 48.448 | 48.027 |
| E07 | Input | [kW] | -- | 17.400 | 15.500 | 13.000 | 10.700 | 7.190 | 5.910 | 4.570 |
| | Nominal Output Torque | [Nm] | *1 | 824 | 1,130 | 1,610 | 1,610 | 1,450 | 1,500 | 1,390 |
| | Emergency Stopping Torque | [Nm] | *2 | 2,060 | 2,660 | 3,520 | 3,520 | 3,520 | 3,520 | 3,480 |
| | Torsional Rigidity | [Nm/arc-min] | -- | 54.800 | 70.400 | 85.200 | 85.200 | 85.200 | 85.200 | 85.200 |
| | Moment of Inertia | [kg-cm ²] | -- | 31.512 | 52.661 | 49.291 | 48.869 | 48.448 | 48.448 | 48.027 |
| F03 | Input | [kW] | -- | 20.200 | 19.900 | 17.000 | 14.800 | 10.800 | 8.170 | 6.790 |
| | Nominal Output Torque | [Nm] | *1 | 953 | 1,450 | 2,120 | 2,230 | 2,180 | 2,070 | 2,070 |
| | Emergency Stopping Torque | [Nm] | *2 | 2,380 | 3,630 | 5,300 | 5,580 | 5,450 | 5,180 | 5,180 |
| | Torsional Rigidity | [Nm/arc-min] | -- | 116.700 | 122.300 | 133.400 | 133.400 | 133.400 | 133.400 | 133.400 |
| | Moment of Inertia | [kg-cm ²] | -- | 87.628 | 74.989 | 130.178 | 127.650 | 127.650 | 127.650 | 125.122 |
| F07 | Input | [kW] | -- | 26.900 | 26.500 | 22.600 | 19.800 | 14.400 | 10.900 | 9.060 |
| | Nominal Output Torque | [Nm] | *1 | 1,270 | 1,940 | 2,820 | 2,970 | 2,900 | 2,760 | 2,760 |
| | Emergency Stopping Torque | [Nm] | *2 | 3,180 | 4,850 | 7,050 | 7,350 | 7,350 | 6,900 | 6,900 |
| | Torsional Rigidity | [Nm/arc-min] | -- | 116.700 | 122.300 | 133.400 | 133.400 | 133.400 | 133.400 | 133.400 |
| | Moment of Inertia | [kg-cm ²] | -- | 87.628 | 74.989 | 130.178 | 127.650 | 127.650 | 127.650 | 125.122 |

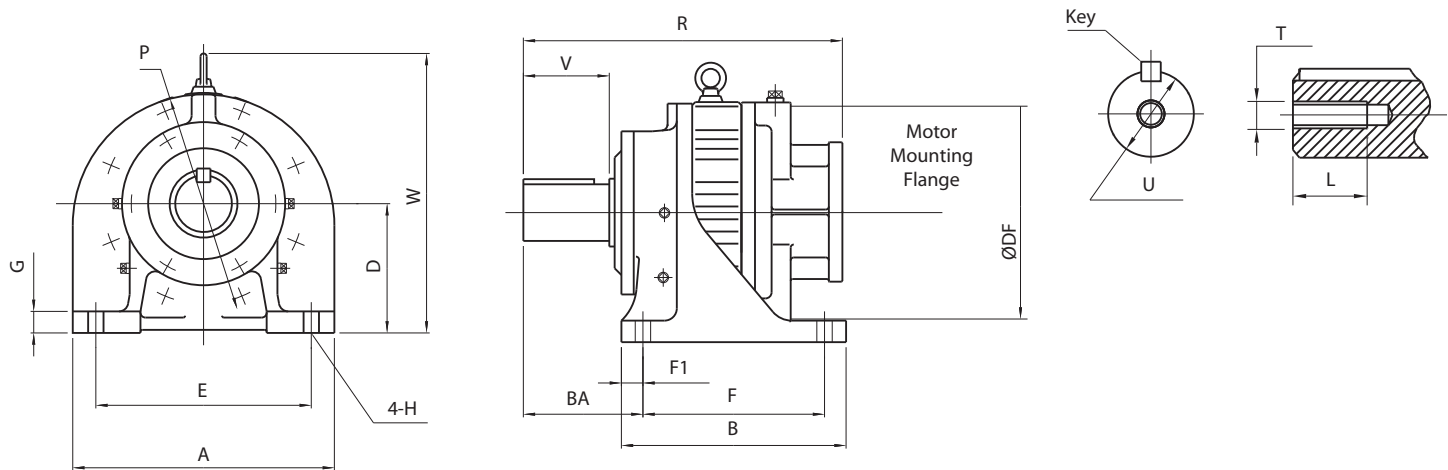
*1) The reducer can continuously sustain this torque value without overheating

*2) The reducer can sustain this torque value for 1000 cycles without failure

*3) Acceleration torque is 1.5 times the nominal output torque

ER-SERIES Circulute 3000 cycloidal reducer

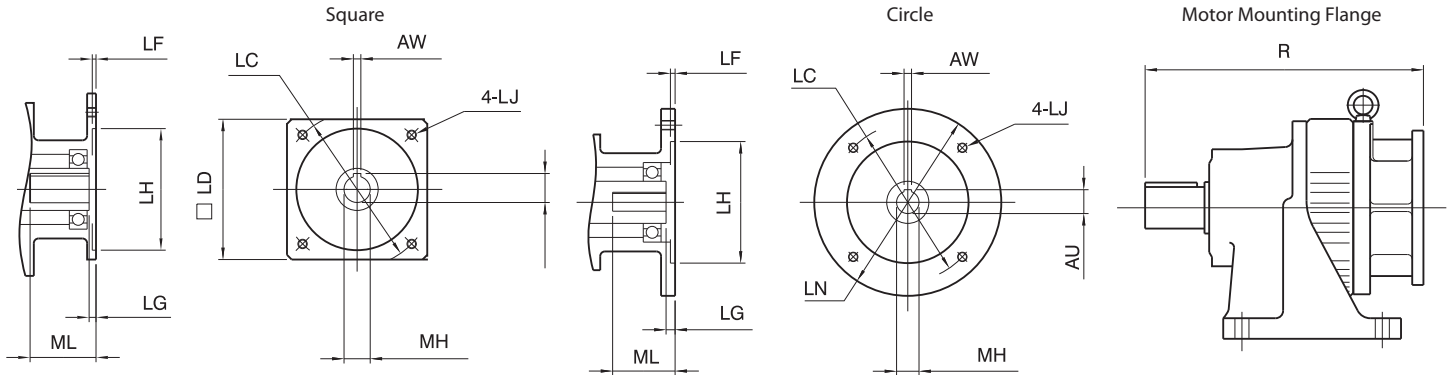
ER Common Dimensions – Single Stage Base Mount



| Frame Size | Units | A | B | BA | D | DF | E | F | F1 | G | H | P |
|-------------|-------|--------|--------|--------|--------|--------|--------|--------|-------|-------|-------|--------|
| A03 - A07 | [mm] | 175.01 | 119.89 | 65.28 | 89.99 | N/A | 145.03 | 89.92 | 14.99 | 16.00 | 11.94 | 147.07 |
| A190 - A195 | [mm] | 180.09 | 134.87 | 59.94 | 100.00 | N/A | 150.11 | 89.92 | 14.99 | 11.94 | 10.92 | 147.07 |
| B01 - B07 | [mm] | 175.01 | 150.11 | 85.85 | 115.01 | N/A | 145.03 | 119.89 | 14.99 | 16.00 | 11.94 | 150.11 |
| B195 - B105 | [mm] | 180.09 | 134.87 | 59.94 | 100.00 | N/A | 150.11 | 89.92 | 14.99 | 11.94 | 10.92 | 150.11 |
| B20H | [mm] | 180.09 | 134.87 | 59.94 | 119.99 | N/A | 150.11 | 89.92 | 14.99 | 11.94 | 10.92 | 150.11 |
| C01 - C07 | [mm] | 219.96 | 189.99 | 103.38 | 140.00 | N/A | 180.09 | 150.11 | 20.07 | 22.10 | 14.99 | 189.99 |
| C110 - C115 | [mm] | 230.12 | 154.94 | 82.04 | 119.99 | N/A | 189.99 | 115.06 | 20.07 | 14.99 | 13.97 | 189.99 |
| C225 | [mm] | 230.12 | 154.94 | 82.04 | 140.00 | N/A | 189.99 | 115.06 | 20.07 | 14.99 | 13.97 | 189.99 |
| D01 - D07 | [mm] | 275.08 | 230.12 | 135.38 | 165.00 | N/A | 225.04 | 180.09 | 24.89 | 25.91 | 19.05 | 234.95 |
| D135 | [mm] | 330.20 | 195.07 | 100.08 | 149.99 | N/A | 290.07 | 145.03 | 24.89 | 22.10 | 18.03 | 234.95 |
| D145 | [mm] | 330.20 | 195.07 | 119.89 | 149.99 | N/A | 290.07 | 145.03 | 24.89 | 22.10 | 18.03 | 234.95 |
| D225 | [mm] | 330.20 | 195.07 | 119.89 | 159.99 | N/A | 290.07 | 145.03 | 24.89 | 22.10 | 18.03 | 233.68 |
| E01 - E07 | [mm] | 359.92 | 299.97 | 150.88 | 184.99 | 312.93 | 299.97 | 249.94 | 24.89 | 29.97 | 22.10 | 299.97 |
| E165 | [mm] | 409.96 | 238.00 | 138.94 | 159.99 | 312.93 | 369.82 | 150.11 | 43.94 | 24.89 | 18.03 | 299.97 |
| E370 - E375 | [mm] | 430.02 | 335.03 | 124.97 | 200.00 | 312.93 | 379.98 | 275.08 | 29.97 | 29.97 | 22.10 | 414.02 |
| F03 - F07 | [mm] | 424.94 | 365.00 | 194.82 | 210.01 | 368.05 | 350.01 | 294.89 | 35.05 | 35.05 | 24.89 | 359.92 |

*1) Sizes A through B do not have a lifting eye

ER Flange Dimensions – Single Stage Base Mount



| Frame Size | LC | LD | LF | LG | LH | LN | LJ | MH | ML | R | Net Weight (kg) |
|------------------|-----|-----|----|----|-------|-----|-----|--------|----|---------|-----------------|
| A03 - A07 | 70 | -- | 5 | 5 | 50 | 120 | M5 | 14, 16 | 37 | 202.692 | 9.98 |
| | 90 | -- | 5 | 7 | 70 | 120 | M6 | 16, 19 | 57 | 212.60 | 9.98 |
| | 100 | -- | 7 | 7 | 80 | 120 | M6 | 16, 19 | -- | 214.63 | 9.98 |
| | 115 | 100 | 7 | 7 | 95 | -- | M6 | 19, 24 | 57 | 212.60 | 9.98 |
| | 145 | 110 | 7 | 8 | 110 | -- | M8 | 22, 24 | -- | 212.60 | 12.70 |
| B03 - B07 | 70 | -- | 5 | 5 | 50 | 120 | M5 | 14, 16 | 37 | 238.00 | 16.33 |
| | 90 | -- | 5 | 7 | 70 | 120 | M6 | 16, 19 | 57 | 247.90 | 16.33 |
| | 100 | -- | 7 | 7 | 80 | 120 | M6 | 16, 19 | -- | 249.94 | 16.33 |
| | 115 | 100 | 7 | 7 | 95 | -- | M6 | 19, 24 | 57 | 247.90 | 16.33 |
| | 145 | 110 | 7 | 8 | 110 | -- | M8 | 22, 24 | -- | 247.90 | 17.23 |
| C03 - C07 | 90 | -- | 7 | 7 | 70 | 160 | M6 | 16 | -- | 293.88 | 30.84 |
| | 100 | -- | 7 | 7 | 80 | 120 | M6 | 16, 19 | -- | 300.99 | 30.84 |
| | 115 | 130 | 7 | 7 | 95 | -- | M6 | 22, 24 | -- | 293.88 | 30.84 |
| | 145 | 130 | 7 | 8 | 110 | -- | M8 | 24, 28 | -- | 293.88 | 30.84 |
| | 200 | 176 | 7 | 7 | 114.3 | -- | M12 | 28, 35 | -- | 328.93 | 38.55 |
| D03 - D07 | 115 | -- | 7 | 7 | 95 | 200 | M6 | 22, 24 | -- | 354.08 | 52.15 |
| | 145 | 130 | 8 | 8 | 110 | -- | M8 | 22, 24 | -- | 349.00 | 52.15 |
| | 165 | -- | 8 | 8 | 130 | 200 | M10 | 24, 28 | -- | 360.93 | 52.15 |
| | 200 | 176 | 10 | 7 | 114.3 | -- | M12 | 28, 35 | -- | 378.97 | 56.69 |
| | 215 | -- | 10 | 10 | 180 | 300 | M12 | 35, 38 | -- | 399.03 | 61.22 |
| E03 - E07 | 145 | -- | 10 | 7 | 110 | 250 | M8 | 24, 28 | -- | 409.96 | 111.56 |
| | 165 | 176 | 7 | 7 | 130 | -- | M12 | 24, 28 | -- | 399.03 | 101.59 |
| | 200 | 176 | 7 | 6 | 114.3 | -- | M12 | 28, 35 | -- | 399.03 | 101.59 |
| | 215 | -- | 10 | 11 | 180 | 300 | M12 | 35, 38 | -- | 459.99 | 116.55 |
| | 235 | -- | 8 | 11 | 200 | 350 | M12 | 38, 42 | -- | 494.03 | 129.71 |
| F03 - F07 | 200 | -- | 10 | 7 | 114.3 | 300 | M12 | 28, 35 | -- | 546.10 | 207.71 |
| | 215 | -- | 10 | 8 | 180 | 300 | M12 | 35, 38 | -- | 546.10 | 207.71 |
| | 235 | -- | 5 | 11 | 200 | 300 | M12 | 38, 42 | -- | 546.10 | 207.71 |
| | 265 | -- | 5 | 11 | 230 | 400 | M12 | 42, 48 | -- | 564.90 | 219.50 |

| MH | AU | AW | ML |
|----|------|----|----|
| 14 | 16 | 5 | 32 |
| 16 | 18 | 5 | 37 |
| 19 | 21.5 | 6 | 42 |
| 22 | 25 | 8 | 57 |
| 24 | 27 | 8 | 67 |

| MH | AU | AW | ML |
|----|------|----|-----|
| 28 | 31 | 8 | 67 |
| 35 | 38 | 10 | 67 |
| 38 | 41 | 10 | 88 |
| 42 | 45 | 12 | 118 |
| 48 | 51.5 | 14 | 118 |

*1) Other servo flanges and bore sizes are available. Contact Shimpo Drives Customer Service for additional information

*2) All dimensions are in mm, except for «R» dimension, which is in inches.

*3) To download CAD drawings, visit our website www.shimpodrives.com

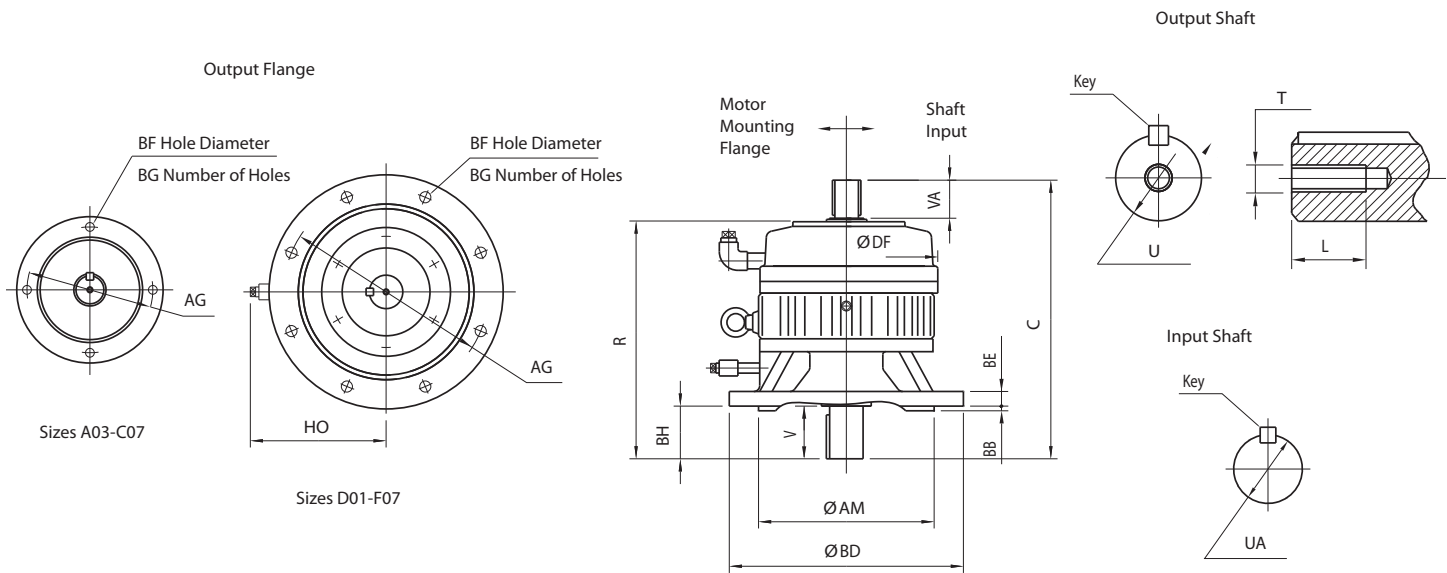
*4) The «R» dimension is the length of the face to output shaft end

Sold & Serviced By:

Toll Free Phone (877) SERV098
Toll Free Fax (877) SERV099
www.electromate.com
sales@electromate.com

ER-SERIES Circulute 3000 cycloidal reducer

ER Common Dimensions – Single Stage Flange Mount



| Frame Size | Units | AG | AM | BB | BD | BE | BF | BG | BH | HO |
|------------|-------|--------|--------|------|--------|-------|-------|--------|--------|--------|
| A03 - A07 | [mm] | 130.05 | 110.01 | 4.06 | 160.02 | 13.97 | 11.94 | 101.60 | 29.97 | N/A |
| B01 - B07 | [mm] | 165.10 | 130.00 | 4.06 | 199.90 | 13.97 | 11.94 | 101.60 | 40.13 | N/A |
| C01 - C07 | [mm] | 214.88 | 180.01 | 4.06 | 249.94 | 18.03 | 14.99 | 101.60 | 55.12 | N/A |
| D01 - D07 | [mm] | 264.92 | 230.00 | 5.08 | 299.97 | 22.10 | 14.99 | 203.20 | 70.10 | 184.91 |
| E01 - E07 | [mm] | 350.01 | 300.00 | 7.87 | 400.05 | 24.89 | 19.05 | 203.20 | 89.92 | 230.12 |
| F03 - F07 | [mm] | 400.05 | 350.01 | 7.87 | 450.09 | 24.89 | 19.05 | 203.20 | 109.98 | 260.10 |

| Frame Size | Units | Output Shaft | | | | |
|------------|-------|--------------|--------|--------------------|-----------|-------|
| | | U | V | Key | T | L |
| A03 - A07 | [mm] | 22.23 | 30.23 | 4.78x4.78x24.89 | N/A | N/A |
| B01 - B07 | [mm] | 34.925 | 50.80 | 7.95x7.95x44.96 | N/A | N/A |
| C01 - C07 | [mm] | 44.450 | 63.50 | 9.53x9.53x54.86 | N/A | N/A |
| D01 - D07 | [mm] | 63.500 | 95.25 | 15.88x15.88x74.93 | M10 x 1.5 | 18.03 |
| E01 - E07 | [mm] | 73.025 | 111.00 | 19.05x19.05x95.00 | M20 x 2.5 | 35.05 |
| F03 - F07 | [mm] | 92.075 | 139.70 | 22.23x22.23x115.06 | M20 x 2.5 | 35.05 |

Sold & Serviced By:



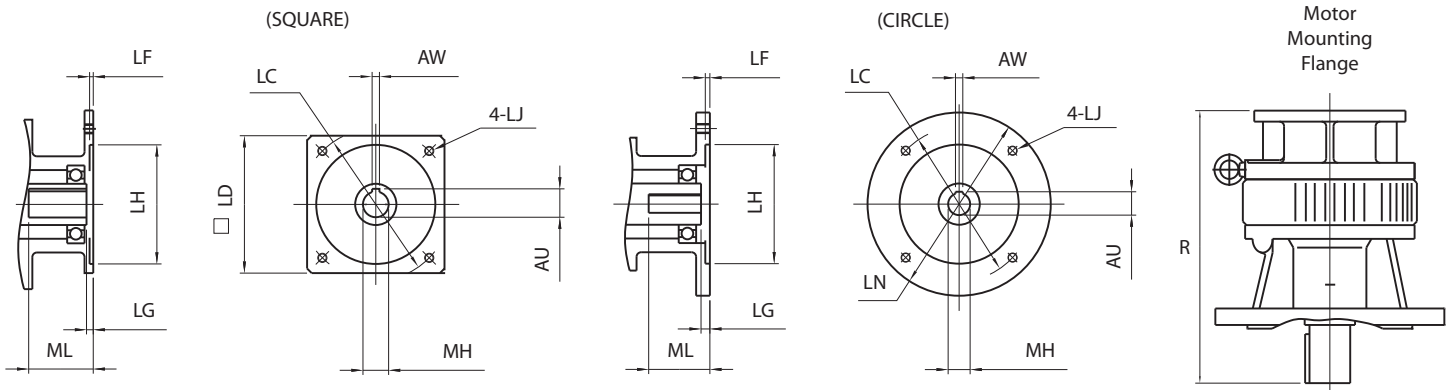
Toll Free Phone (877) SERV098

Toll Free Fax (877) SERV099

www.electromate.com

sales@electromate.com

ER Flange Dimensions – Single Stage Flange Mount



| Frame Size | LC | LD | LF | LG | LH | LN | LJ | MH | ML | R | Net Weight (kg) |
|------------|-----|-----|----|----|-------|-----|-----|--------|----|--------|-----------------|
| A03 - A07 | 70 | -- | 5 | 5 | 50 | 120 | M5 | 14, 16 | 37 | 202.69 | 9.98 |
| | 90 | -- | 5 | 7 | 70 | 120 | M6 | 16, 19 | 57 | 212.60 | 9.98 |
| | 100 | -- | 7 | 7 | 80 | 120 | M6 | 16, 19 | -- | 214.63 | 9.98 |
| | 115 | 100 | 7 | 7 | 95 | -- | M6 | 19, 24 | 57 | 212.60 | 9.98 |
| | 145 | 110 | 7 | 8 | 110 | -- | M8 | 22, 24 | -- | 212.60 | 12.70 |
| B03 - B07 | 70 | -- | 5 | 5 | 50 | 120 | M5 | 14, 16 | 37 | 238.00 | 16.33 |
| | 90 | -- | 5 | 7 | 70 | 120 | M6 | 16, 19 | 57 | 247.90 | 16.33 |
| | 100 | -- | 7 | 7 | 80 | 120 | M6 | 16, 19 | -- | 249.94 | 16.33 |
| | 115 | 100 | 7 | 7 | 95 | -- | M6 | 19, 24 | 57 | 247.90 | 16.33 |
| | 145 | 110 | 7 | 8 | 110 | -- | M8 | 22, 24 | -- | 247.90 | 17.23 |
| C03 - C07 | 90 | -- | 7 | 7 | 70 | 160 | M6 | 16 | -- | 293.88 | 30.84 |
| | 100 | -- | 7 | 7 | 80 | 120 | M6 | 16, 19 | -- | 300.99 | 30.84 |
| | 115 | 130 | 7 | 7 | 95 | -- | M6 | 22, 24 | -- | 293.88 | 30.84 |
| | 145 | 130 | 7 | 8 | 110 | -- | M8 | 24, 28 | -- | 293.88 | 30.84 |
| | 200 | 176 | 7 | 7 | 114.3 | -- | M12 | 28, 35 | -- | 328.93 | 38.55 |
| D03 - D07 | 115 | -- | 7 | 7 | 95 | 200 | M6 | 22, 24 | -- | 354.08 | 52.15 |
| | 145 | 130 | 8 | 8 | 110 | -- | M8 | 22, 24 | -- | 349.00 | 52.15 |
| | 165 | -- | 8 | 8 | 130 | 200 | M10 | 24, 28 | -- | 360.93 | 52.15 |
| | 200 | 176 | 10 | 7 | 114.3 | -- | M12 | 28, 35 | -- | 378.97 | 56.69 |
| | 215 | -- | 10 | 10 | 180 | 300 | M12 | 35, 38 | -- | 399.03 | 61.22 |
| E03 - E07 | 145 | -- | 10 | 7 | 110 | 250 | M8 | 24, 28 | -- | 409.96 | 111.56 |
| | 165 | 176 | 7 | 7 | 130 | -- | M12 | 24, 28 | -- | 399.03 | 101.59 |
| | 200 | 176 | 7 | 6 | 114.3 | -- | M12 | 28, 35 | -- | 399.03 | 101.59 |
| | 215 | -- | 10 | 11 | 180 | 300 | M12 | 35, 38 | -- | 459.99 | 116.55 |
| | 235 | -- | 8 | 11 | 200 | 350 | M12 | 38, 42 | -- | 494.03 | 129.71 |
| F03 - F07 | 200 | -- | 10 | 7 | 114.3 | 300 | M12 | 28, 35 | -- | 546.10 | 207.71 |
| | 215 | -- | 10 | 8 | 180 | 300 | M12 | 35, 38 | -- | 546.10 | 207.71 |
| | 235 | -- | 5 | 11 | 200 | 300 | M12 | 38, 42 | -- | 546.10 | 207.71 |
| | 265 | -- | 5 | 11 | 230 | 400 | M12 | 42, 48 | -- | 564.90 | 219.50 |

| MH | AU | AW | ML |
|----|------|----|----|
| 14 | 16 | 5 | 32 |
| 16 | 18 | 5 | 37 |
| 19 | 21.5 | 6 | 42 |
| 22 | 25 | 8 | 57 |
| 24 | 27 | 8 | 67 |

| MH | AU | AW | ML |
|----|------|----|-----|
| 28 | 31 | 8 | 67 |
| 35 | 38 | 10 | 67 |
| 38 | 41 | 10 | 88 |
| 42 | 45 | 12 | 118 |
| 48 | 51.5 | 14 | 118 |

*1) Other servo flanges and bore sizes are available. Contact Shimpo Drives Customer Service for additional information

*2) All dimensions are in mm, except for «R» dimension, which is in inches. Sold & Serviced By:

*3) To download CAD drawings, visit our website www.shimpodrives.com

ELECTROMATE
Toll Free Phone (877) SERV098
Toll Free Fax (877) SERV099
www.electromate.com
sales@electromate.com