

SHIMPO

EVB-Series

ABLE

Right Angle Servo Reducers



New Performance Leader

- Industry Standard Mounting Dimensions
- Thru-bolt Mounting Style
- Low Backlash (≤ 6 arc-min)
- Readily Available
- Assembled in the USA

Sold & Serviced By:



Toll Free Phone (877) SERV098

Toll Free Fax (877) SERV099

www.electromate.com

sales@electromate.com

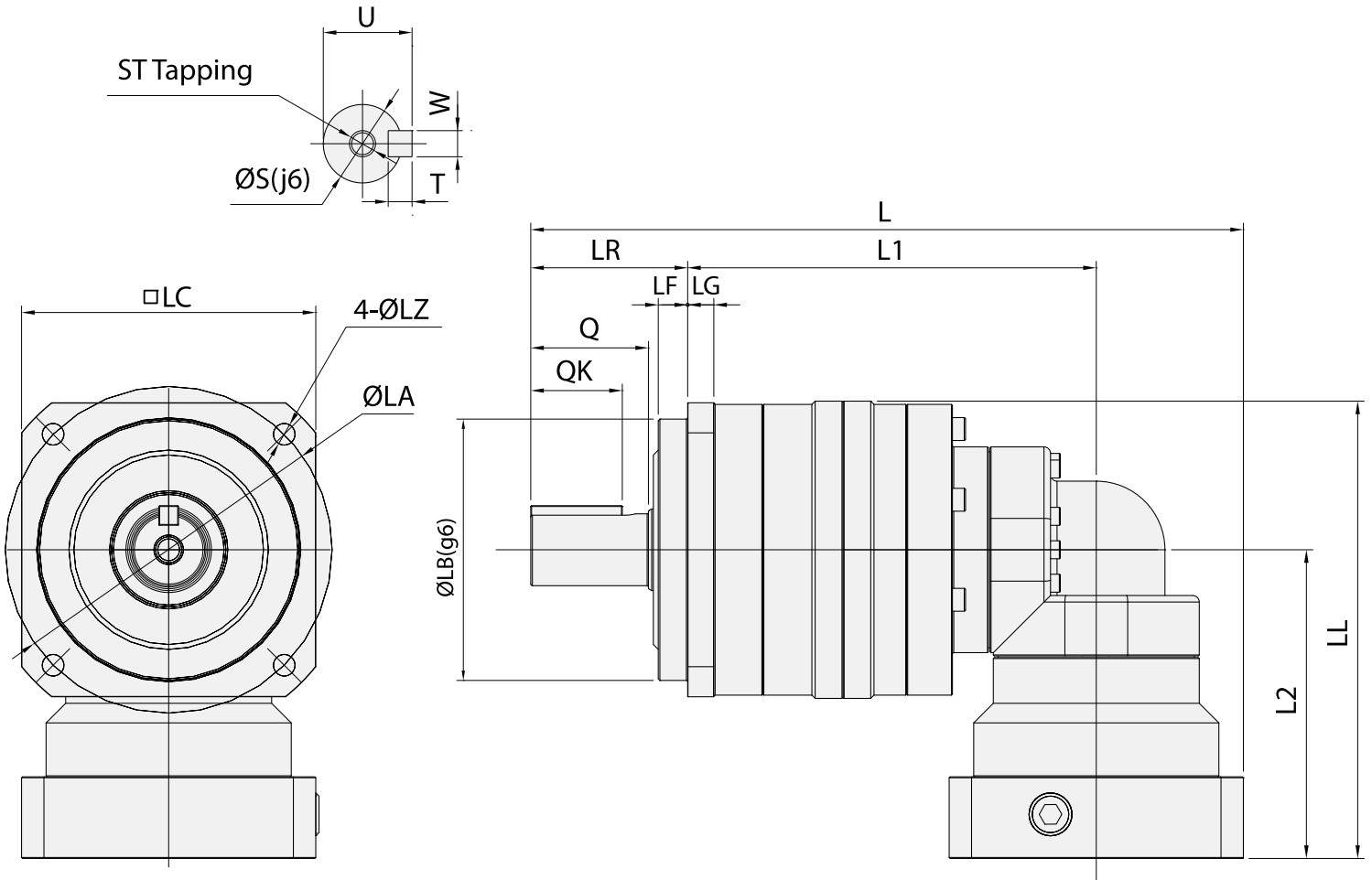
A Nidec Group Company

SHIMPO

All for dreams

EVB DIMENSIONS

Output Shaft



Frame	Reduction	SS	LA	LB	LC	L	L1	LR	LF	LG	LZ	Q	QK	LL	L2	AQ	S	T	W	U	ST
060	Double	8	70	50	60	151.5	83	37	6	6	5.5	28	22	103	71.5	32	16	5	5	18	M5
		14				109								77.5	35						
		19				126								94.5	50						
	Triple	8				158	95							96	64.5	32					
		14				163.5								100	68.5	35					
090	Double	14	100	80	90	205.5	112	48	9	8	6.6	36	28	137.5	92	35	22	6	6	24.5	M8
		19				145.5								100	50						
		28				174.5								129	67						
	Triple	8				204.5	125							117	71.5	32					
		14				210.5								123	77.5	35					
		19												140	94.5	50					
115	Double	19	130	110	115	266	141	65	4	10	9	58	45	170	110	50	32	8	10	35	M12
		28				196								136	67						
		38				213								153	82						
	Triple	14				268.5	161.5							152	92	35					
		19				272								160	100	50					
		28												189	129	67					
140	Double	28	165	130	140	341	169	97	12	12	11	82	65	227	152	67	40	8	12	43	M16
		38				242								167	82						
		48				288								213	118						
	Triple	19				343.5	204.5							185	110	50					
		28				361.5								211	136	67					
		38				364								228	228	82					

Note 1: Depending on installed servo motor, the L/LL/L2 dimensions varies slightly.

Note 2: For other input shaft dimensions, bushing is installed into input shaft.

Note 3: Double reduction 3-10:1. Triple reduction 15-100:1.

EVB SPECIFICATIONS

Specification	Frame	060		090	
	Ratio	Double Reduction	Triple Reduction	Double Reduction	Triple Reduction
Nominal Output Torque	Nm	24	24	65	65
Maximum Output Torque	Nm	45	45	90	110
Emergency Stop Torque	Nm	90	90	220	220
Backlash	arc-min	6	9	6	9
Nominal Input Speed	rpm	3000	3000	3000	3000
Maximum Input Speed	rpm	6000	6000	6000	6000
Allowable Radial Load	N	640	1200	1200	2400
Allowable Thrust Load	N	530	1100	1600	2200
Weight	kg	1.8	1.6	5.1	4.4
Unit Life	hrs	20000	20000	20000	20000
Protection*		IP40	IP40	IP40	IP40
Moment of Inertia	kgcm ²	Contact us for details			

Speed Reduction Ratio	Double	3,4,5,6,7,8,9,10:1
	Triple	15,16,20,25,28,30,35,40,45,50,60,70,80,90,100:1

* Unit can achieve IP65 rating with appropriate sealant added between adapter and motor connection. Contact Shimpo for details if IP65 rating is necessary.

Specification	Frame	115		140	
	Ratio	Double Reduction	Triple Reduction	Double Reduction	Triple Reduction
Nominal Output Torque	Nm	150	150	300	300
Maximum Output Torque	Nm	300	300	600	600
Emergency Stop Torque	Nm	550	550	1100	1100
Backlash	arc-min	6	9	6	9
Nominal Input Speed	rpm	3000	3000	2000	2000
Maximum Input Speed	rpm	6000	6000	4000	4000
Allowable Radial Load	N	2000	4300	4700	9100
Allowable Thrust Load	N	2500	3900	4100	8200
Weight	kg	10.4	10.1	19.1	19.6
Unit Life	hrs	20000	20000	20000	20000
Protection*		IP40	IP40	IP40	IP40
Moment of Inertia	kgcm ²	Contact us for details			

Speed Reduction Ratio	Double	3,4,5,6,7,8,9,10:1
	Triple	15,16,20,25,28,30,35,40,45,50,60,70,80,90,100:1

* Unit can achieve IP65 rating with appropriate sealant added between adapter and motor connection. Contact Shimpo for details if IP65 rating is necessary.

Improving the Speed of Industry

Servo Motor Planetary Gear Reducers



ABLE Inline Series



ABLE Right Angle Series



ABLE with Rotary Stage

Mechanical Adjustable Speed Drives



Standard Ringcone



Ringcone Motor Assembly

Industrial Duty Speed Reducers



Circulute Cycloidal Reducer



Circulute with Servo Input



Circulute Pulley Style