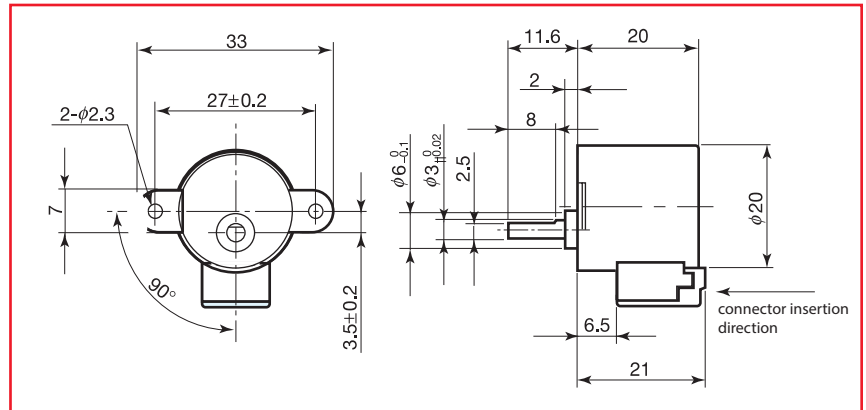


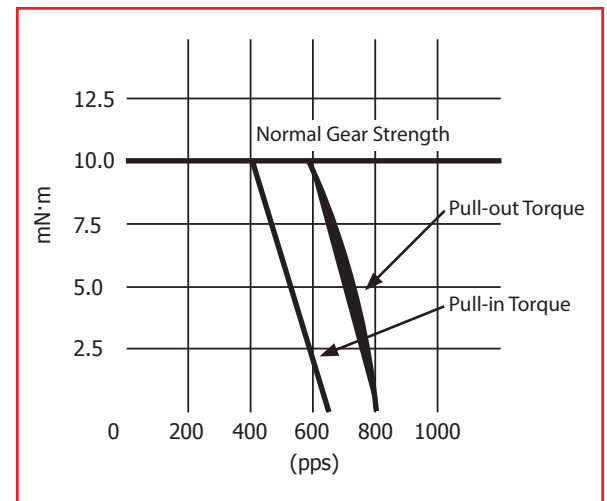
Tin-Can Steppers PFCU20



Specifications

Specification	Unit	PFCU20
Excitation Mode		Full-step (2-2)
Step Angle	°	0.9
Steps Per Revolution*		400
Rated Voltage	V	12
Resistance ¹	ohms	160 ±7%
Inductance ¹	mH	59 (1 Vrms, 1 Khz)
Max. Torque	mN·m	10
Starting Pulse Rate ^{1*}	pps	650 or more (with no load)
Slewing Pulse Rate ^{1*}	pps	800 or more (with no load)
Operating Temp. Range	°C	-10 to +50
Temperature Rise*	°C	70
Weight	g	25
Gear Ratio, Backlash		1/10, 7° or less

Torque Curve*



* - All tin-can motor specifications are based on full-step constant voltage operation

Magnet type: Anisotropic

Note 1: Supply voltage 12V ±2% and at a temperature of 20°C ±2% and relative humidity 65% ±20%.

Note 2: Stated terminal voltage is with supply voltage 12V.

Note 3: Stated temperature rise is at the time of saturation.

Connector

Applicable Housing: SHR-04V-S

Applicable Contact: SSH-003T-P0.2-H

Applicable Wire: AWG 32 to 28 (outer diameter of covered wire: 0.4 to 0.8 mm)