

Specifications

Specifications	Units	PTM-24T	PTM-24TG (gearhead)							
Rated Voltage	V	24/100 ±10%								
Frequency	Hz	50/60								
Rated Current	mA	41/43								
Revolutions @ 50Hz	rpm	250/300	1/3	1/2	1	2	5	10	30	60
Rotating Direction		Dual Direction (CC/CCW)								
Torque @ 60 Hz	mN·m	12/13.5	600	600	600	600	400	220	95	48
Temperature Rise	°K	70								
Operating Temp. Range	°C	-10 to +50								
Dielectric Strength	V	1500Vac for 10 seconds	1500Vac for 10 seconds							
Weight	g	77	120							
Capacitor	µF	3.3								

Magnet type: Anisotropic

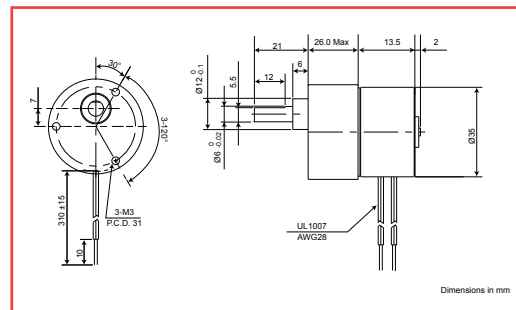
Torque Characteristics

Model	PTM-24TG			
Speed	Torque (mN·m)		Gear Ratio	
rpm	50Hz	60Hz	50Hz	60Hz
60	--	30	--	1/5
30	--	60	--	1/10
20	--	72	--	1/15
10	115	145	1/25	1/30
5	180	230	1/50	1/60
4	--	290	--	1/75
3	--	300*	--	1/100
2	365	465	1/125	1/150
1	--	600*	--	1/300

*-Values regulated by normal gear strength. Do not apply any load exceeding the normal gear strength.

Geared Models

PTM-24TG



Sold & Serviced By:



Toll Free Phone (877) SERV098

Toll Free Fax (877) SERV099

www.electromate.com

sales@electromate.com