

## Specifications

Specifications	Units	PTM-24H	PTM-24HG (gearhead)								
Rated Voltage	V	24/100/117/200 ±10%									
Frequency	Hz	50/60									
Rated Current	mA	18/21									
Revolutions @ 50Hz	rpm	250/300	1	2	3	5	10	20	30	60	
Rotating Direction		Dual Direction (CC/CCW)									
Torque @ 60 Hz	mN·m	22/21.5	400	400	400	400	250	130	100	50	
Temperature Rise	°K	55									
Operating Temp. Range	°C	-10 to +50									
Dielectric Strength	V	1500Vac for 10 seconds	1500Vac for 10 seconds								
Weight	g	160	200								
Capacitor	µF	5.6	0.27								

Magnet type: Anisotropic

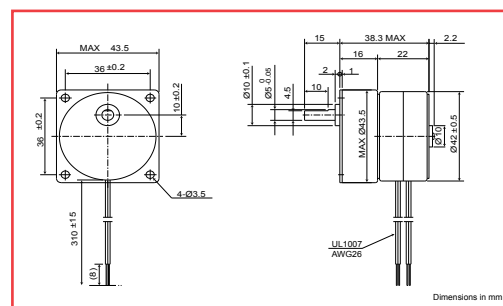
## Torque Characteristics

Model	PTMC-24HG			
	Torque (mN·m)		Gear Ratio	
	50Hz	60Hz	50Hz	60Hz
60	58	68	6/25	1/5
30	115	135	3/25	1/10
20	140	165	2/25	1/15
10	250*	260	1/25	1/30
5	300*	300*	1/50	1/60
4	300*	300*	2/125	1/75
3	--	400*	--	1/100
2	400*	400*	1/125	1/150
1	400*	400*	1/250	1/300

\*-Values regulated by normal gear strength. Do not apply any load exceeding the normal gear strength.

## Geared Models

### PTMC-24HG



Sold & Serviced By:



Toll Free Phone (877) SERV098

Toll Free Fax (877) SERV099

www.electromate.com

sales@electromate.com