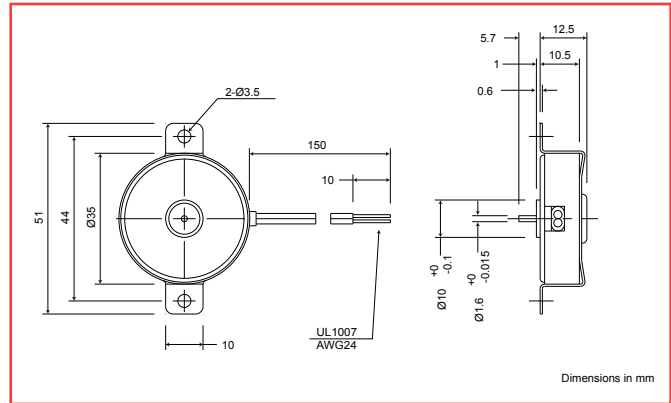


Sold & Serviced By:



Toll Free Phone (877) SERV098  
 Toll Free Fax (877) SERV099  
 www.electromate.com  
 sales@electromate.com



## Specifications

Specifications	Units	PTM-24B	PTM-24BGH (gearhead)						
Rated Voltage	V	6/12/24/40/100/117/200/220/240 ±10%							
Frequency	Hz	50/60							
Rated Current	mA	11/10							
Revolutions @ 50Hz	rpm	250/300	1	2	3	4	5	10	20
Rotating Direction		Single Direction (CC/CCW)							
Torque @ 60 Hz	mN·m	0.5	100	50	35	25	20	10	5
Temperature Rise	°K	40							
Operating Temp. Range	°C	-10 to +50							
Dielectric Strength	V	500Vac for one minute			1500Vac for one minute				
Weight	g	35			70				
Capacitor	µF	--							

Magnet type: Anisotropic

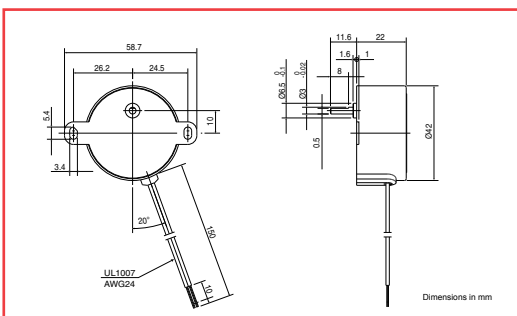
## Torque Characteristics

Model	PTM-24AG			
	Speed	Torque	Gear Ratio	
			50Hz	60Hz
rpm	mN·m			
1/2	80	1/500	1/600	
1/3	80	1/750	1/900	
1/5	80	1/1250	1/1500	
1/10	80	1/2500	1/3000	
1/30	80	1/7500	1/9000	
1/60	80	1/15000	1/18000	
1/2 rph	80	1/30000	1/36000	
1/24 rph	80	1/360000	1/432000	

Model	PTM-24BGII			
	Speed	Torque	Gear Ratio	
			50Hz	60Hz
rpm	mN·m			
20	5	2/25	1/15	
10	10	1/25	1/30	
5	20	1/50	1/60	
4	25	2/125	1/75	
3	35	3/250	1/100	
2	50	1/125	1/150	
1	100	1/250	1/300	

## Geared Models

### PTM-24AG



Motor Length	
RPM	22
RPH	28

### PTM-24BGII

