

Specifications

Specifications	Units	PTM-24K	PTM-24KGH (gearhead)								
Rated Voltage	V	12/24/100/117/220/240 ±10%									
Frequency	Hz	50/60									
Rated Current	mA	18/17									
Revolutions @ 50Hz	rpm	500/600	1	2	4	5	6	10	15	20	
Rotating Direction		Single Direction (CC/CCW)									
Torque @ 60 Hz	mN·m	1.0/0.9	200	150	120	100	80	50	32	25	
Temperature Rise	°K	35									
Operating Temp. Range	°C	-10 to +50									
Dielectric Strength	V	1500Vac for 10 seconds	1500Vac for 10 seconds								
Weight	g	90	120								
Capacitor	µF	--									

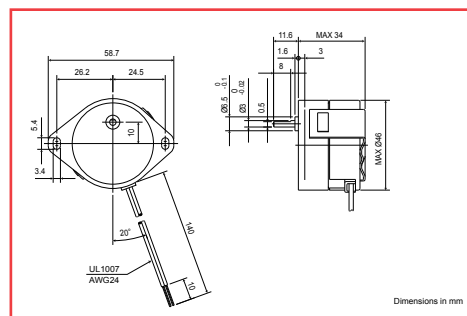
Magnet type: Anisotropic

Torque Characteristics

Model	PTM-12KG		
Speed	Torque	Gear Ratio	
rpm	mN·m	50Hz	60Hz
20	25	1/25	1/30
10	50	1/50	1/60
6	80	3/250	1/100
5	100	1/100	1/120
4	120	1/125	1/150
2	150	1/250	1/300
1	200	1/500	1/600

Geared Models

PTM-KG



Sold & Serviced By:



Toll Free Phone (877) SERV098

Toll Free Fax (877) SERV099

www.electromate.com

sales@electromate.com