

Specifications

Specifications	Units	PTM-24E	PTM-24EGH (gearhead)							
Rated Voltage	V	12/24/100/117/220/240 ±10%								
Frequency	Hz	50/60								
Rated Current	mA	20/19								
Revolutions @ 50Hz	rpm	500/600	1	2	4	5	6	10	15	20
Rotating Direction		Single Direction (CC/CCW)								
Torque @ 60 Hz	mN·m	1.7	200	200	160	120	100	60	40	30
Temperature Rise	°K	45								
Operating Temp. Range	°C	-10 to +50								
Dielectric Strength	V	1500Vac for 10 seconds	1500Vac for 10 seconds							
Weight	g	90	130							
Capacitor	µF	--								

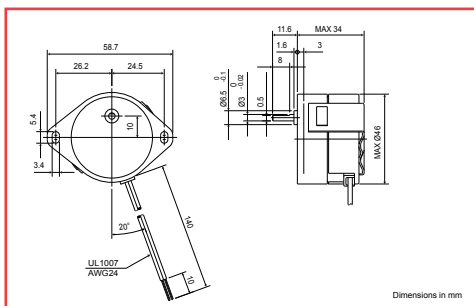
Magnet type: Anisotropic

Torque Characteristics

Model	PTM-12EG		
Speed	Torque	Gear Ratio	
rpm	mN·m	50Hz	60Hz
20	30	1/25	1/30
10	60	1/50	1/60
6	100	3/250	1/100
5	120	1/100	1/120
4	160	1/125	1/150
2	200	1/250	1/300
1	200	1/500	1/600

Geared Models

PTM-12EG



Sold & Serviced By:



Toll Free Phone (877) SERV098

Toll Free Fax (877) SERV099

www.electromate.com

sales@electromate.com