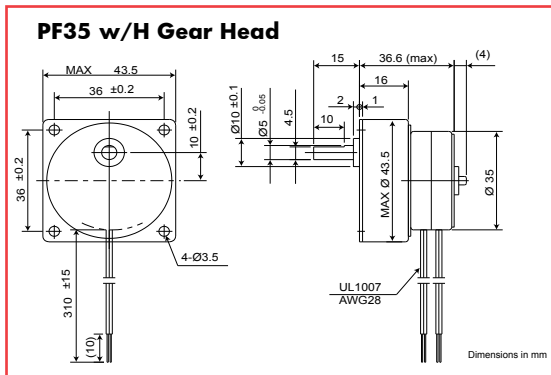


Specifications

Specification	Unit	PF35-24				PF35-48			
		Unipolar		Bipolar		Unipolar		Bipolar	
Type of Winding		Unipolar				Bipolar			
Excitation Mode*		Full step (2-2)				Full step (2-2)			
Step Angle	°	15 ±5%				7.5 ±5%			
Steps Per Revolution*		24				48			
Rated Voltage	V	12	5	12	5	12	5	12	5
Resistance	Ω	90	16	100	17	90	16	100	17
Inductance	mH	48	8.9	95	14	48	8.9	124	19
Holding Torque	mN-m	15	15	19	19	20	20	25	25
Rotor Inertia	kg-m ²	4.5 x 10 ⁻⁷				4.5 x 10 ⁻⁷			
Starting Pulse Rate*	pps	310				500			
Slewing Pulse Rate*	pps	410				530			
Operating Temp. Range	°C	-10 to +50				-10 to +50			
Temperature Rise*	°C	55				55			
Weight	g	80				80			

Dimensions of Geared Model



Gear Ratio	1/5	1/6	1/10	1/18	1/30
Maximum Torque	100mN-m			200mN-m	

Gear Ratio	1/40	1/50	1/60	1/75	1/90	1/100	1/120
Maximum Torque	300mN-m						

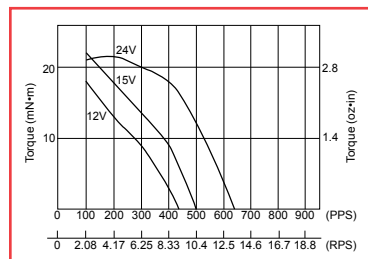
Gear Ratio	1/125	1/150	1/180	1/200	1/270	1/300
Maximum Torque	600mN-m					

* - All tin-can motor specifications are based on full-step constant voltage operation
 Magnet type: Anisotropic

Note: Torque curves are for reference only and are not guaranteed.

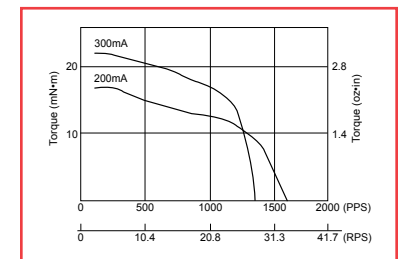
Torque Curve (pull-out torque)*

Bipolar Constant Voltage (48P1)



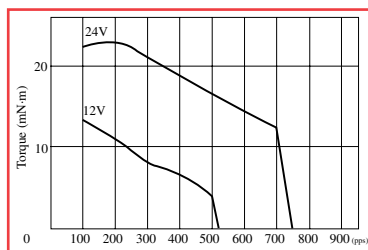
Coil Resistance: 100Ω

Bipolar Constant Current (48I181)



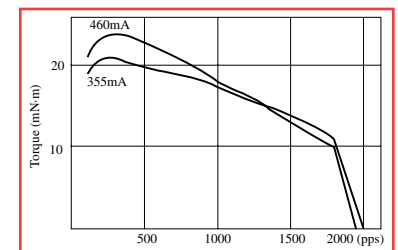
Coil Resistance: 18Ω Supply Voltage: 24V

Unipolar Constant Voltage (48C1)



Coil Resistance: 90Ω

Unipolar Constant Current (24D1)



Coil Resistance: 20Ω Supply Voltage: 24V