

The DS-37 is a member of the DS series of Electric Encoders™, based on Netzer Precision proprietary technology. The Electric Encoder™ offers many advantages - some unparalleled

- Low profile (8 mm)
- Hollow, floating shaft
- No bearings or other contacting elements
- High resolution and precision
- High tolerance to temperature extremes, shock, moisture, EMI, RFI and Magnetic fields
- Very low weight
- Holistic signal generation
- Analog or Digital interfaces

General

Angular resolution	17-19 bit
Maximum tested static error	±0.025°
Extended accuracy static error	±0.015°
Maximum operational speed	1,500 rpm
Measurement range	Unlimited rotation
Power On - Max. operational speed	3.3 RPM, <=20°/sec
Rotation direction	Adjustable CW/CCW*
Build In Test BIT	Optional

* Default same direction from bottom side of the encoder

Mechanical

Allowable mounting eccentricity	±0.1 mm
Allowable axial mounting tolerance	±0.1 mm
Rotor inertia	70.93 gr · mm ²
Total weight	10 gr
Outer Ø / Inner Ø / Height	37 / 10 / 8 mm
Material (stator, rotor)	Ultem™ polymer / TRVX-50

The Electric Encoder™ is unique in being holistic, i.e., its output reading is the averaged outcome of the whole area of the rotor. This feature makes the Electric Encoder™ forgiving to mounting tolerances, mechanical wander etc.

The absence of components such as ball bearings, flexible couplers, glass disc, light sources and detectors, along with very low power consumption makes the Electric Encoder™ virtually failure free.

The internally shielded, DC operated Electric Encoder™ includes an electric field generator, a field receiver, a sinusoidal shaped dielectric rotor, and processing electronics.

The output signals of Electric Encoder™ are analog Sine / Cosine representing the rotation angle. The digital outputs are obtained by further processing - which may be either internal or external to the encoder.

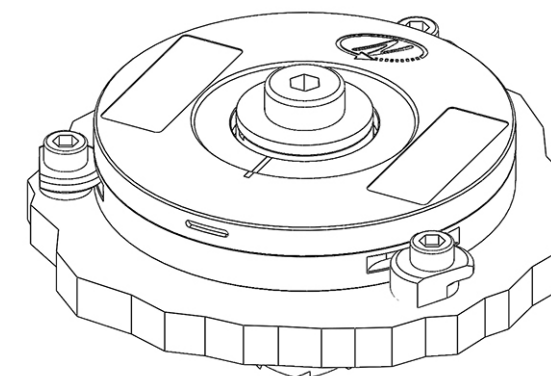
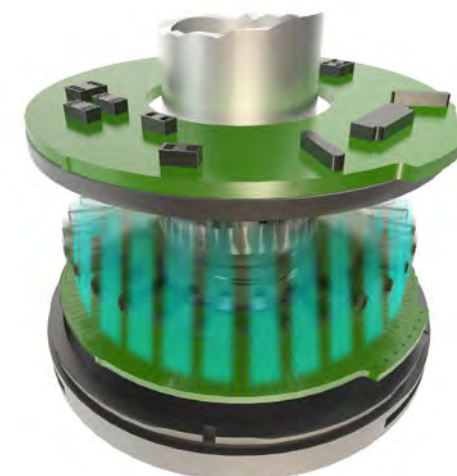
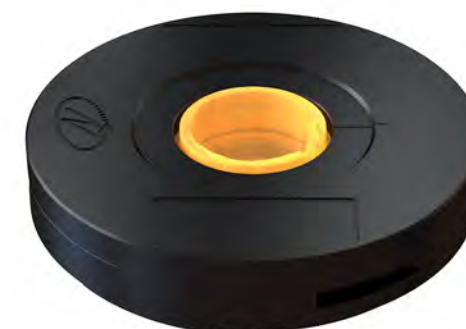
The combination of precision, low profile, low weight and high reliability have made Netzer Precision encoders particularly suitable to a wide variety of critical applications including, but not limited to medical equipment and aerospace.

Electrical

Supply voltage	5V ± 5%
Interconnection	Shielded cable
Cable length	1,500 mm MAX

Environmental

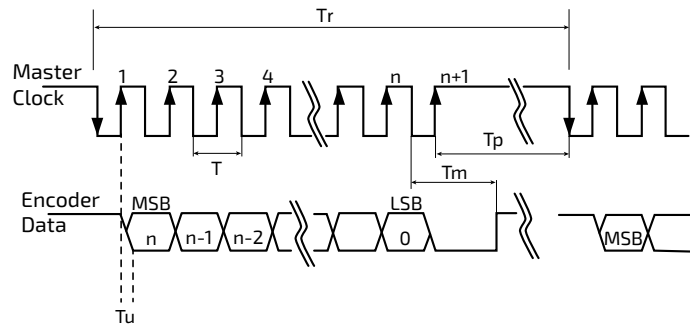
EMC	IEC 6100-6-2, IEC 6100-6-4
Operating temperature range	-40°C to +85°C
Storage temperature	-50°C to +100°C
Relative humidity	98% Non condensing
Shock endurance	100 g for 11 ms
Vibration endurance	20 g 10 – 2000 Hz
Protection	IP 40





Digital SSI Interface

Synchronous Serial Interface (SSI) is a point to point serial interface standard between a master (e.g. controller) and a slave (e.g. sensor) for digital data transmission.



	Description	Recommendations
n	Total number of data bits	12 - 22
T	Clock period	
f= 1/T	Clock frequency	0.5 - 2.0 MHz
Tu	Bit update time	200 nsec
Tp	Pause time	26 - ∞ μsec
Tm	Monoflop time	>25 μsec
Tr	Time between 2 adjacent requests	Tr > n*T+26 μsec
fr=1/Tr	Data request frequency	

SSI / BiSS Output signal parameters

Output code	Binary
Serial output	Differential RS-422
Clock	Differential RS-422
Clock frequency	0.5 ÷ 2.0 MHz
Position update rate (Max)	30 kHz
Current consumption	180 mA

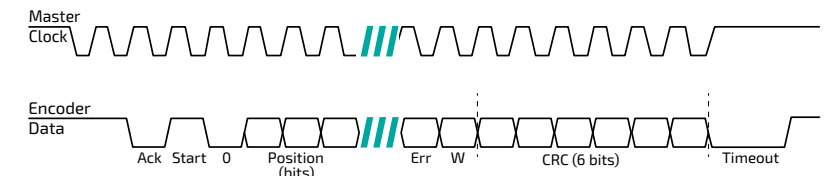
SSI / BiSS interface wires color code

Clock +	Grey	Clock
Clock -	Blue	
Data -	Yellow	Data
Data +	Green	
GND	Black	Ground
+5V	Red	Power supply



Digital BiSS-C Interface

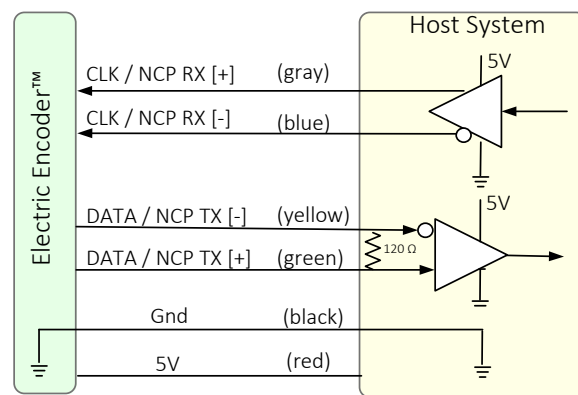
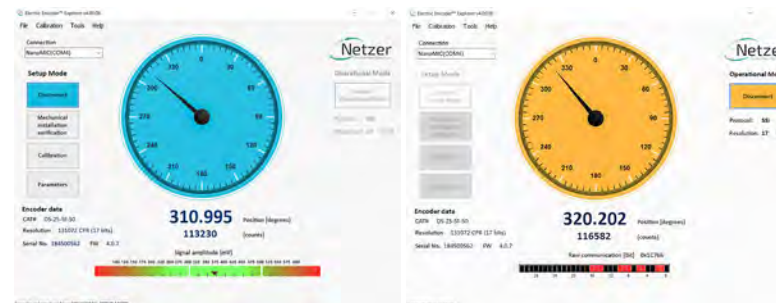
BiSS – C Interface is unidirectional serial synchronous protocol for digital data transmission where the Encoder acts as “slave” transmits data according to “Master” clock. The BiSS protocol is designed in B mode and C mode (continuous mode). The BiSS-C interface as the SSI is based on RS-422 standards.



bit #		Description	Default	Length
27	Ack	Period during which the encoder calculates the absolute position, one clock cycle	0	1/clock
26	Start	Encoder signal for “start” data transmit	1	1 bit
25	“0”	“start” bit follower	0	1 bit
8...24	AP	Absolute Position encoder data		
7	Error	Error (amplitude levels)	1	1 bit
6	Warn.	Warning (non active)	1	1 bit
0...5	CRC	The CRC polynomial for position, error and warning data is: $x^6 + x^1 + x^0$. It is transmitted MSB first and inverted. The start bit and “0” bit are omitted from the CRC calculation.		6 bits
	Timeout	Elapse between the sequential “start” request cycle’s.		25 μs

Software tools: (SSI / BiSS - C)

Advanced calibration and monitoring options are available by using the factory supplied [Electric Encoder Explorer software](#). This facilitates proper mechanical mounting, offsets calibration and advanced signal monitoring.



Analog Interface

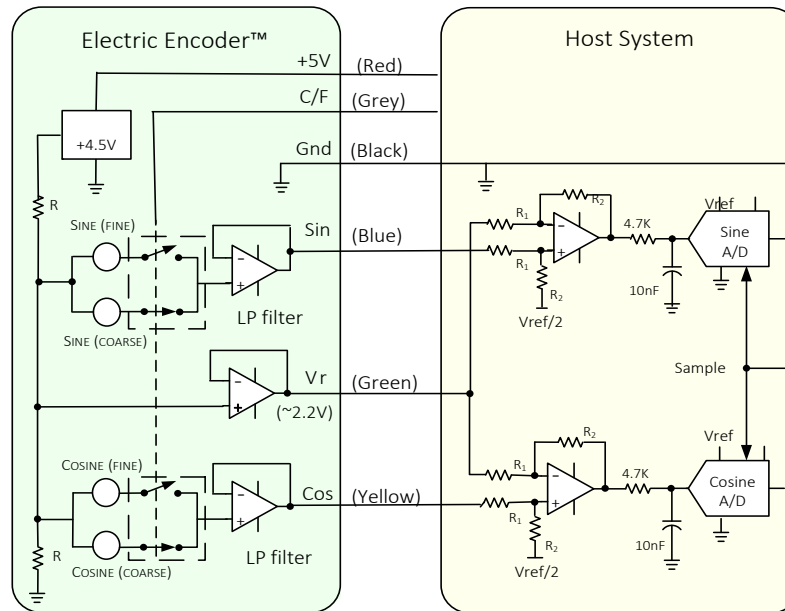
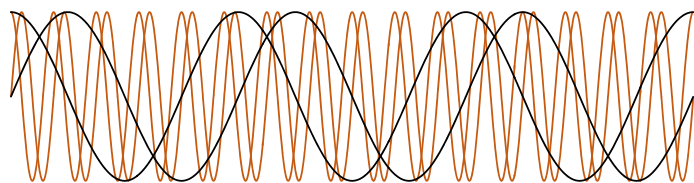
Coarse and Fine channels

The DS-37 has two operational modes: a Coarse-mode and a Fine-mode - equivalent to two separate encoders in a common housing. The modes are selectable by a logic C/F command; logic "0" (0V to +0.5V) selects the Coarse-mode, which has 3 Electrical Cycle/Revolution (EC/R) while logic "1" (+3V to +5V) selects the Fine-mode which has 16 EC/R.

The switching time is less than 1 ms.

The Coarse-mode outputs need to be read only upon system initiation after which the encoder is permanently switched to the Fine mode. Coarse and Fine sine / cosine pairs are used to calculate the initial absolute position, from that point tracking the Fine-channel outputs provides the absolute mechanical rotation angle with the specified accuracy and resolution.

All output signals are referenced to an internally generated voltage V_r (~2.25V)



Analog interface wires color code

1	GND	Black	Ground
2	C/F	Grey	Coarse / Fine
3	Sine	Blue	Sine signal
4	Vr	Green	V referenceCosine signal
5	Cosine	Yellow	Cosine signal
6	+5V	Red	P.S.

Absolute position calculation

The analog Sine / Cosine outputs convey the Electrical angle of the Coarse or Fine signals. The Absolute mechanical angle is computed by digitizing the analog signals.

Output signal parameters

Electric Cycles (Fine / Coarse channels)	16 / 3
Signal latency	250 μ Sec
Fine-mode output noise (DC to 1kHz)	100 μ V (p-p)
Fine-mode output amplitude	\pm 400mV \pm 20%
Coarse-mode output amplitude	\pm 300mV \pm 20%
Phase relationship (CW shaft rotation - seen from top)	Sine leads Cosine
Signal bandwidth	DC to 1 kHz
Current consumption	10mA

Sold & Serviced By:

Canadian and International Sales
ELECTROMATE
877-737-8698
sales@electromate.com
www.electromate.com

U.S. Sales
SERVO2GO.com
877-378-0240
sales@servo2go.com
www.servo2go.com

Ordering Code

DS - 37 - 16 - D F - S 0 - n n n

DS Product line

Outer Diameter

Fine ECR

Output

D	Digital: SSi
E	Digital: BiSS-C
O	Analog: 1Vp-p

Resolution

Code	Bit	CPR
F	17	131,072
G	18	262,144
H	19	524,288

BIT (Build In Test): optional

[]	None
B	BIT

EA Extended Accuracy

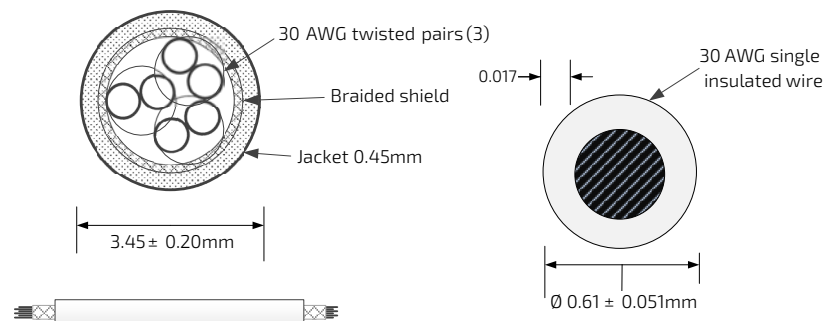
nnn Custom

Interconnection

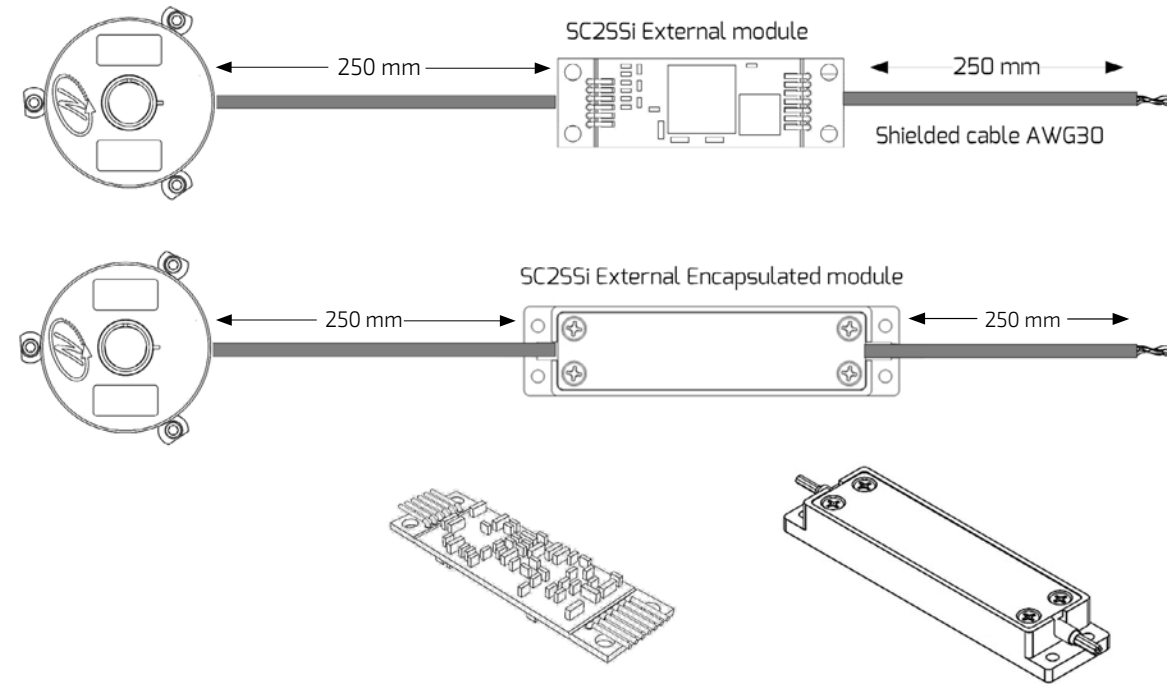
0	250mm Flying leads (default)
1	500mm Flying leads
2	750mm Flying leads
3	1000mm Flying leads
C	Connector (optional)
S	Shielded cable 250 mm

Cable: 30 AWG twisted pair(3):2 (30 AWG 25/44 finned copper, 0.15 PFE to $\varnothing 0.6 \pm 0.05$ OD).
Temperature rating: -60 to +150 Deg C.
Braided shield: Thinned copper braided 95% min. coverage.
Jacket: 0.45 silicon rubber jacket $\varnothing 3.45 \pm 0.2$ OD

Pair#	Color
1	Red/ Black
2	Gray / Blue
3	Green/ Yellow



Digital Output SSi / BiSS-C



Related documents

DS-37 User Manual: Mechanical, Electrical and calibration setup.

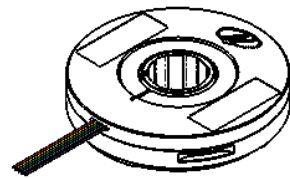
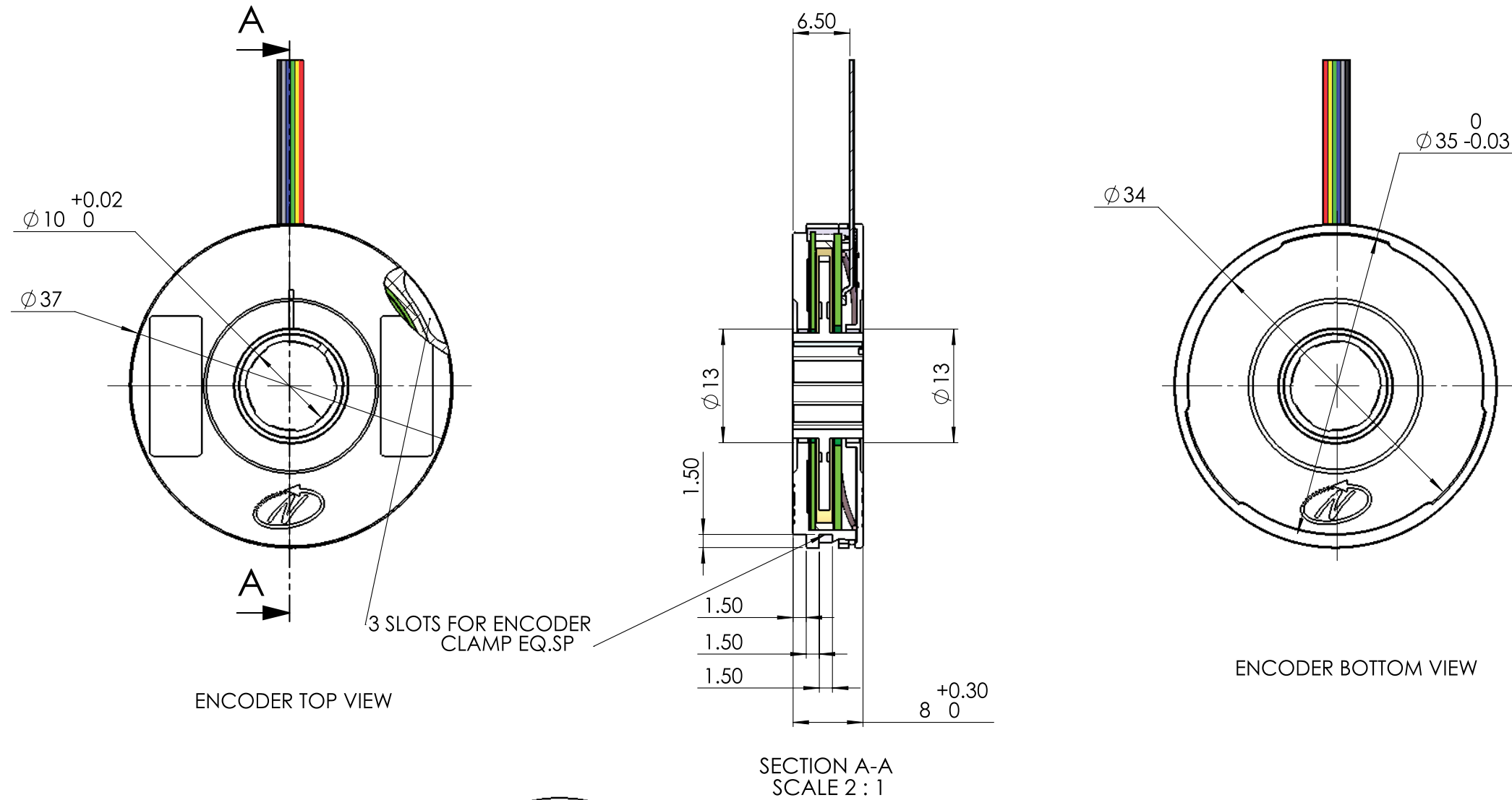
Optional Accessories

Demonstration Kit

DKIT-DS-37-16-DF-0C - SSi interface

DKIT-DS-37-16-EF-0C - BiSS interface

The Demo kit Includes: mounted encoder on rotary jig, and RS-422 to USB converter.



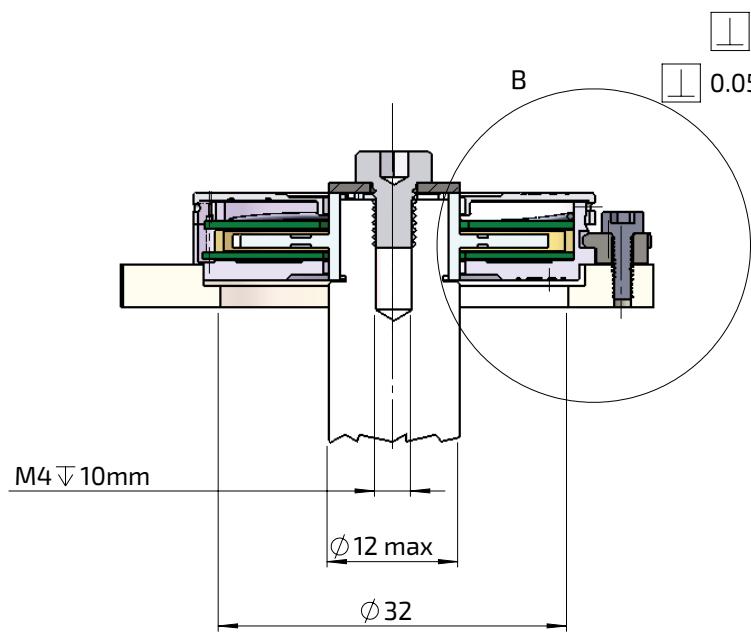
WARNING



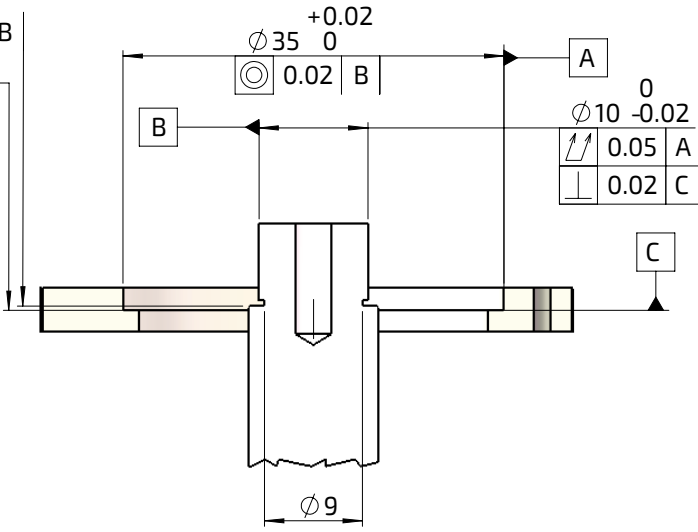
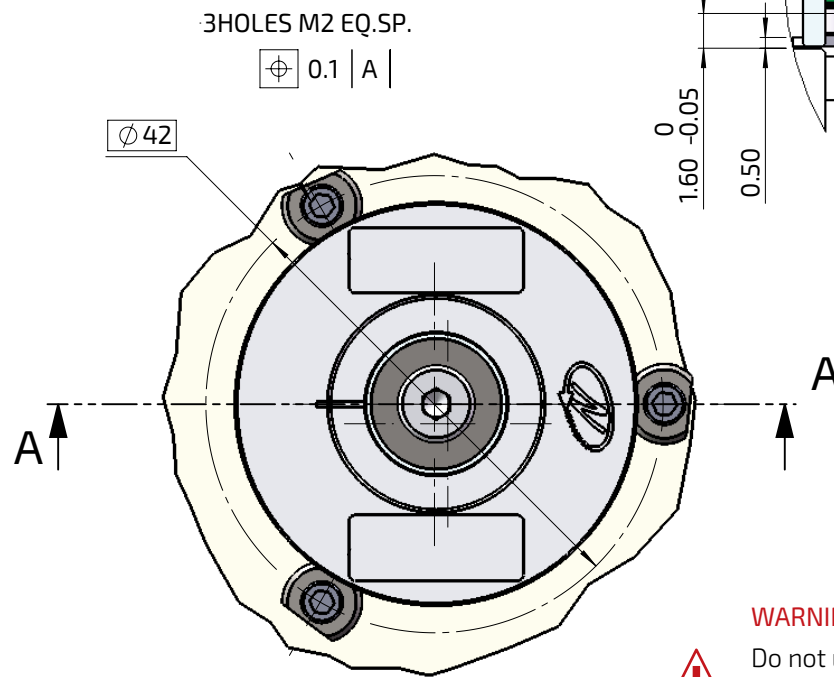
Do not use Loctite or other glues containing Cyanoacrylate. We recommend to use 3M glue - Scotch-Weld™ Epoxy Adhesive EC-2216 B/A.

Unless Otherwise Specified

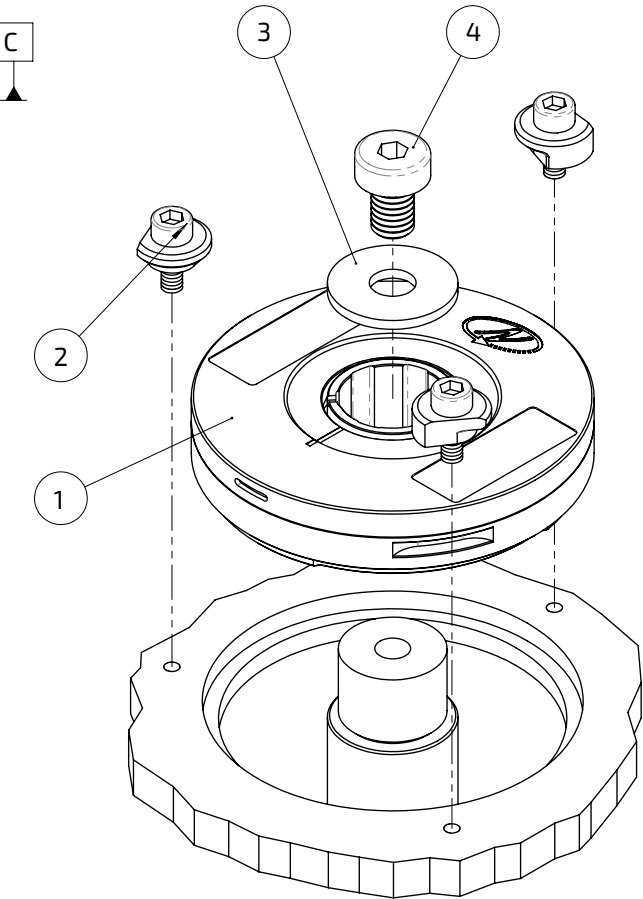
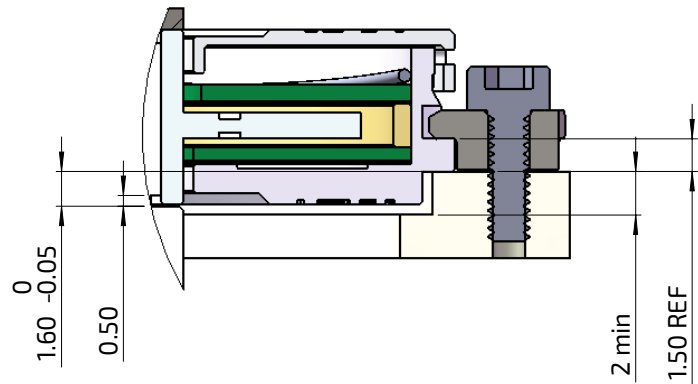
Dimensions are in: mm	Surface finish: N6
Linear tolerances	
0.5-4.9: ±0.05 mm	5-30: ±0.1 mm
31-120: ±0.15 mm	121-400: ±0.2 mm



SECTION A-A



SECTION E-E



Unless Otherwise Specified

Dimensions are in: mm	Surface finish: N6
Linear tolerances	
0.5-4.9: ±0.05 mm	5-30: ±0.1 mm
31-120: ±0.15 mm	121-400: ±0.2 mm

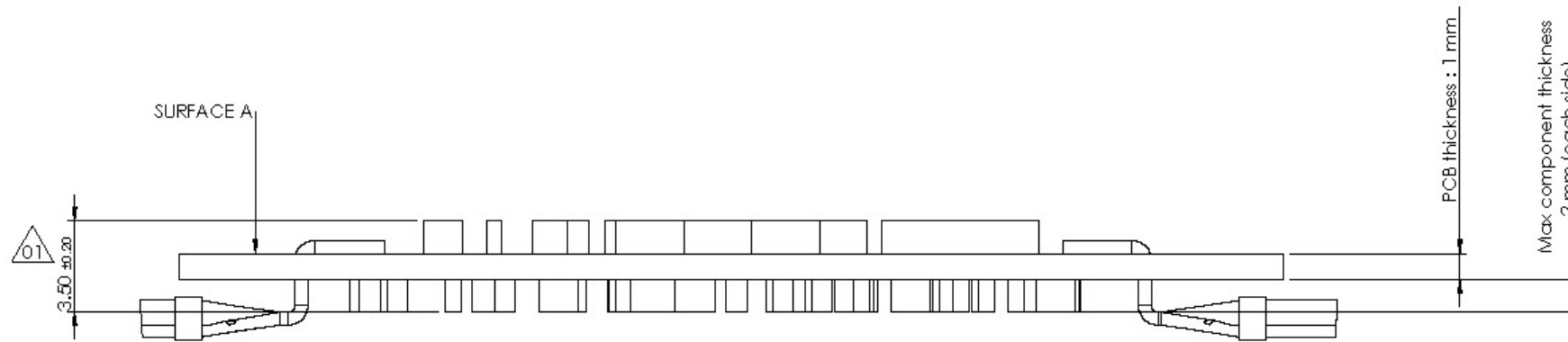
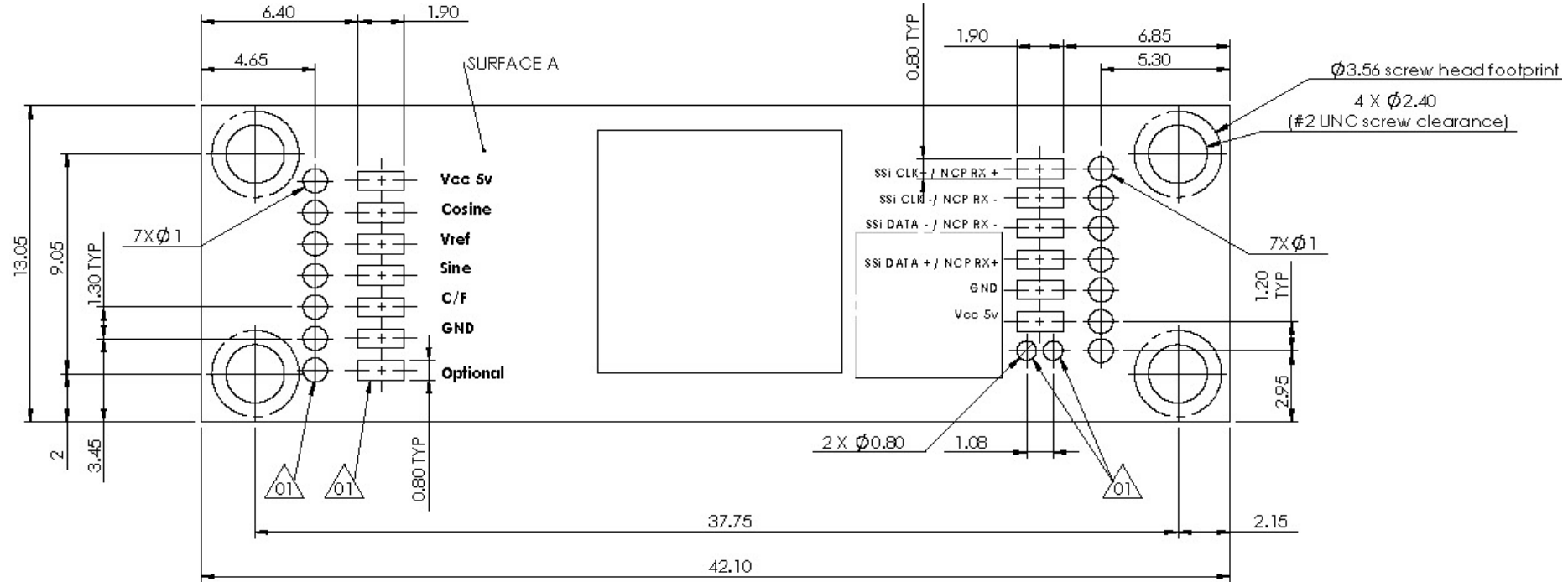
WARNING



Do not use Loctite or other glues containing Cyanoacrylate. We recommend to use 3M glue - Scotch-Weld™ Epoxy Adhesive EC-2216 B/A.

No	Part	Description	QTY.	
1	DS-37-16	Included	DS-37 encoder	1
2	EAPK005	Included	Kit, 3 x M2 Encoder clamps ST. ST.	1
3	MA-DS37-004	Optional	Shaft End installation kit	1
4			Washer DIN9021	3
			Screw DIN 7984 M4x6	

Critical dimensions marked with "*"



Sold & Serviced By:

ELECTROMATE
Canadian and International Sales
877-737-8698
sales@electromate.com
www.electromate.com

SERVO2GO.com
U.S. Sales
877-378-0240
sales@servo2go.com
www.servo2go.com

Unless Otherwise Specified

Dimensions are in: mm	Surface finish: N6
Linear tolerances	
0.5-4.9: ±0.05 mm	5-30: ±0.1 mm
31-120: ±0.15 mm	121-400: ±0.2 mm

SC2SSi, DS-37 external digital module (SSi/BiSS)

No	Part	Included	Description	QTY.
1	SC2SSi-03	Included	with DS-37 CAT No.	1