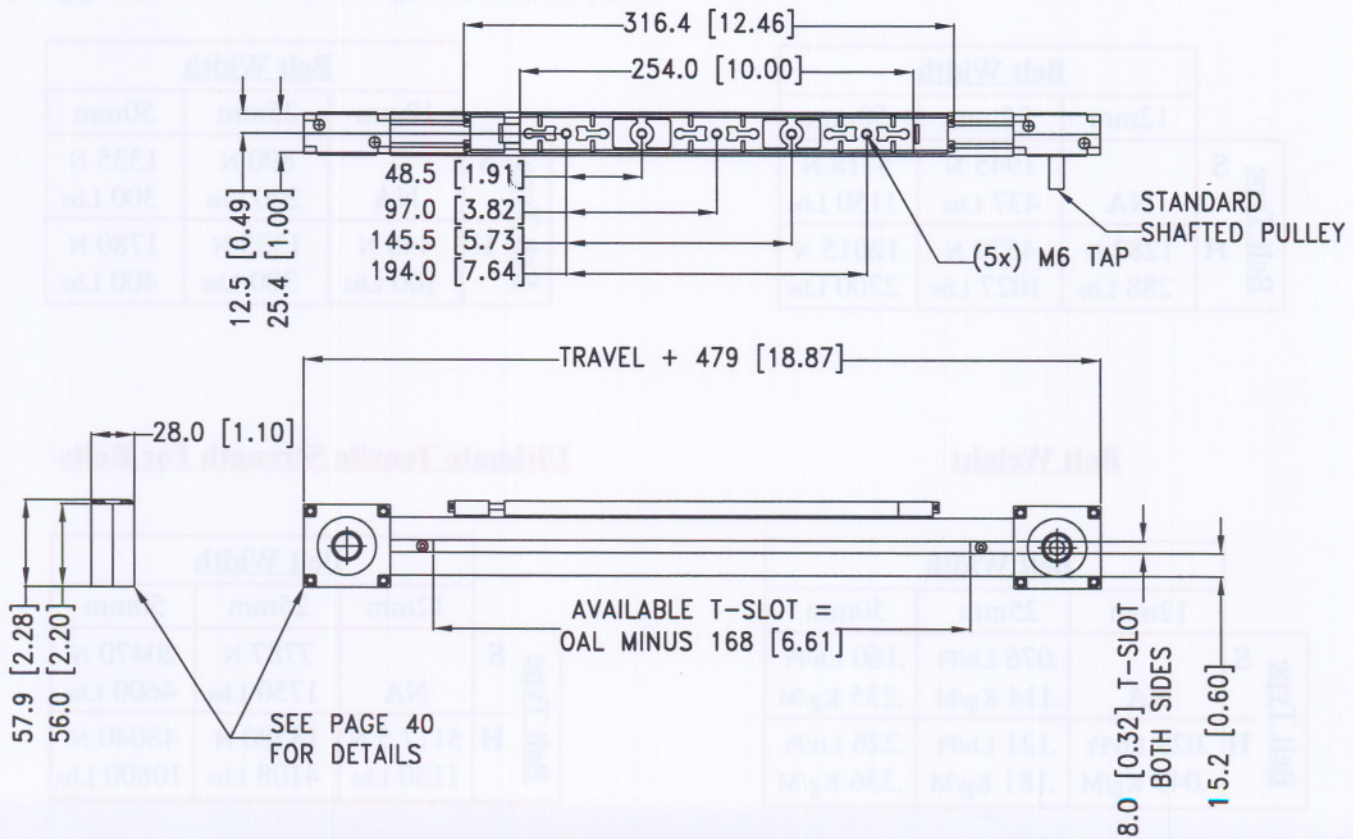


# MACRON PSC-28 Linear Actuator



Sold & Serviced By:  
**ELECTROMATE**  
 Toll Free Phone (877) SERV098  
 Toll Free Fax (877) SERV099  
 www.electromate.com  
 sales@electromate.com



# MACRON PSC-28 Linear Actuator

## FEATURES

- Macron Actuators are furnished to your specifications
- Maximum Beam Length 6.096 meters (20 ft)
- Fast turnaround on all standard units
- Corrosion resistant components

## MOTOR MOUNTING (See Page 38)

- NEMA 23 & 34 (standard) - Other sizes are optional
- Shafted Pulley (standard)
- Hollow Clamp Style Pulley for 14mm Shaft

## SPECIFICATIONS

Repeatability	+/- 0.001 in
Load Capacities	Application Specific
Positional Accuracy	+/- 0.013/36 in
Breakaway Torque	12-14 oz.-in
Belt Options 12H	See page 6
Pulley Information	See page 6
Maximum Speed	200 in/sec
Acceleration Exceeding	5 G's
Beam Options	28x38

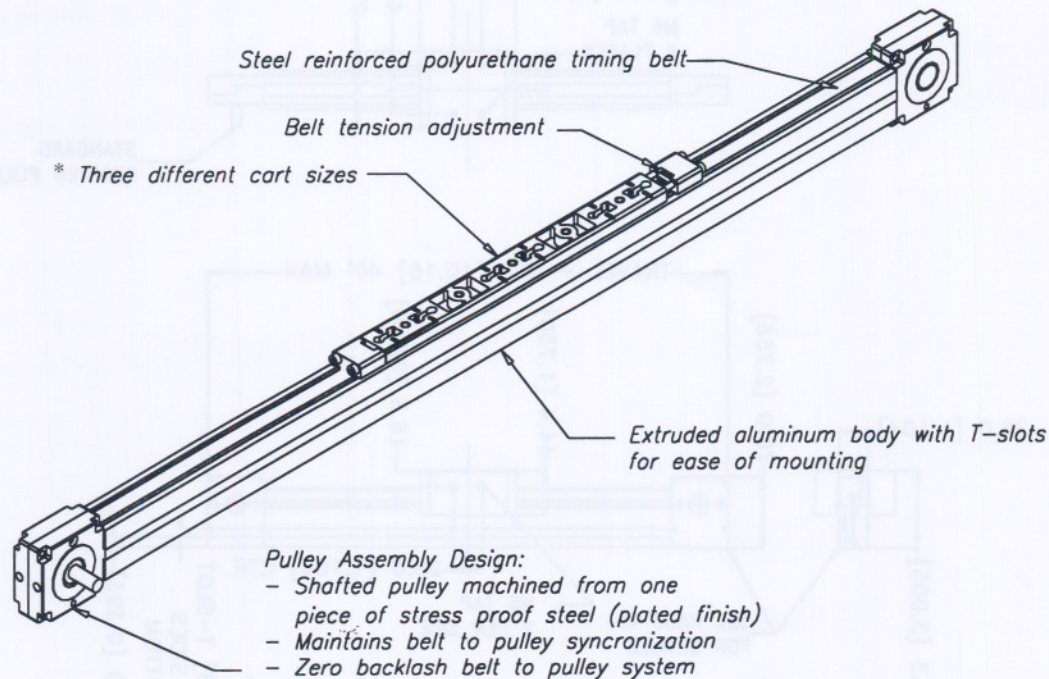
## SHIPPING WEIGHT

First meter of travel	6 lbs
Additional per meter	3 lbs

## OPTIONAL

- Sensors
- Extra Cart
- Stainless Steel Components upon request
- Variable Cart Size

Sold & Serviced By:  
**ELECTROMATE**  
Toll Free Phone (877) SERV098  
Toll Free Fax (877) SERV099  
www.electromate.com  
sales@electromate.com



- \* Three Lengths of carts, i.e., 254mm standard, with option for 60mm and 157mm (consult Macron for custom sizes)
- For Multi-Axis Units and other specifications not listed, contact your local Distributor or Macron for Engineering Design assistance and quotations.