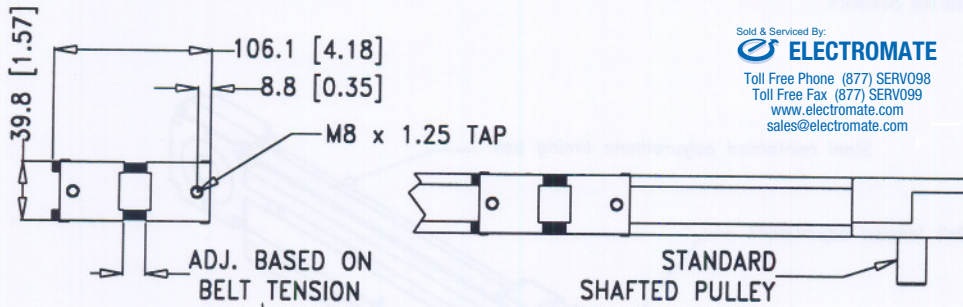
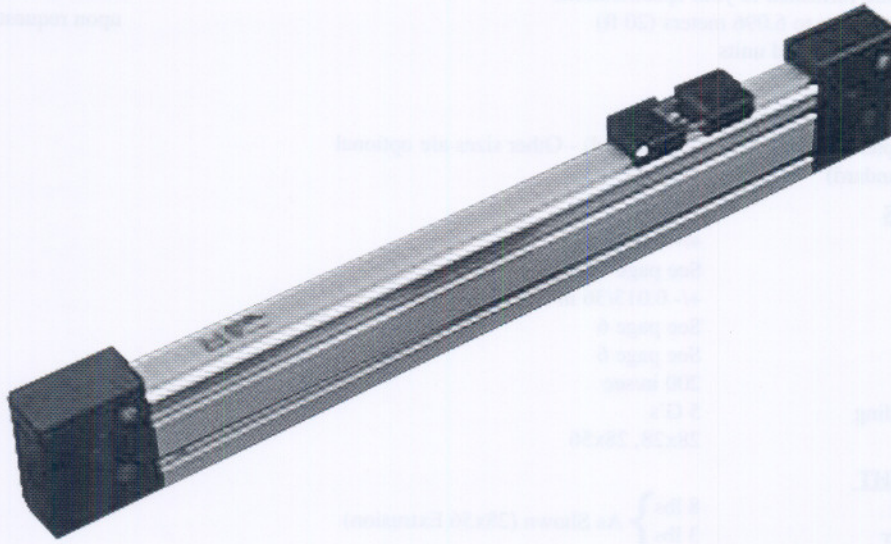
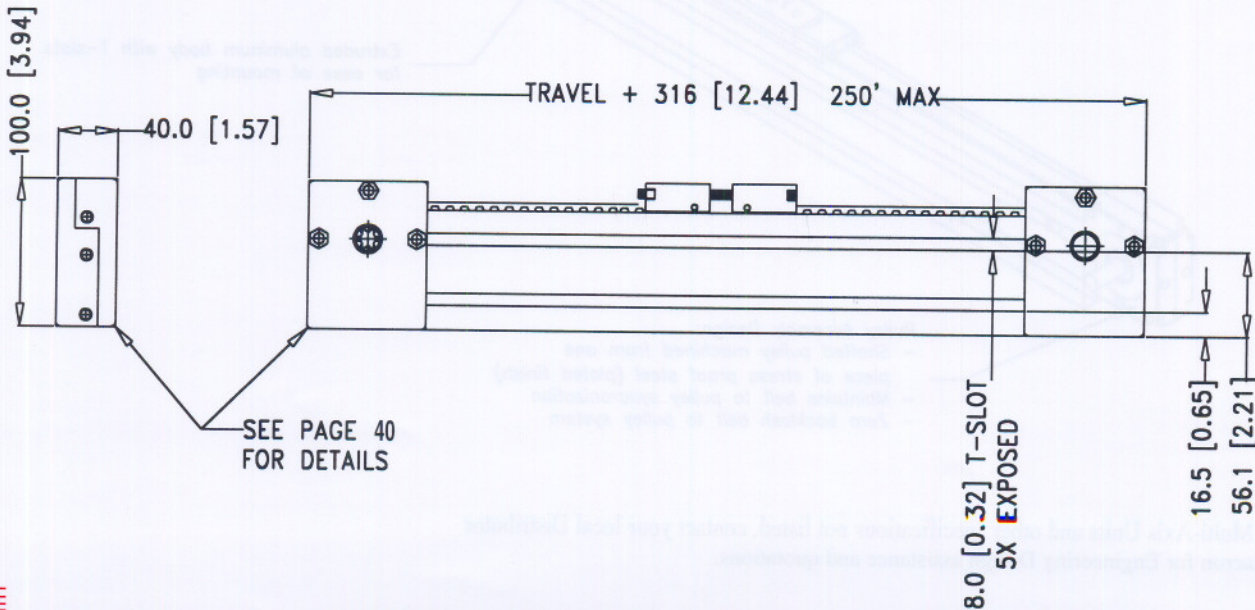


# MACRON Single Belt Drive 25

(Mechanical Belt Drive to be used in conjunction with external guide Bearing System)



Sold & Serviced By:  
**ELECTROMATE**  
 Toll Free Phone (877) SERV098  
 Toll Free Fax (877) SERV099  
[www.electromate.com](http://www.electromate.com)  
[sales@electromate.com](mailto:sales@electromate.com)



# MACRON Single Belt Drive 25

## FEATURES

- Macron Actuators are furnished to your specifications
- Available in any length up to 76.2 meters (250 ft)
- Fast turnaround on all standard units
- Corrosion resistant components

## MOTOR MOUNTING (See Page 38)

- Motor Mount Adapter - NEMA 23, 34 & 42 - (standard) - Other sizes are optional
- Shafted Pulley (standard)
- Spline Bore (optional)

## SPECIFICATIONS

Repeatability	+/- 0.001 in
Load Capacities	See page 6
Positional Accuracy	+/- 0.013/36 in
Belt Options 25S, 25H	See page 6
Pulley Information	See page 6
Maximum Speed	400 in/sec
Acceleration Exceeding	20 G's
Beam Options	40x40, 40x80, 40x120, 40x160, 80x80, 80x160

## SHIPPING WEIGHT

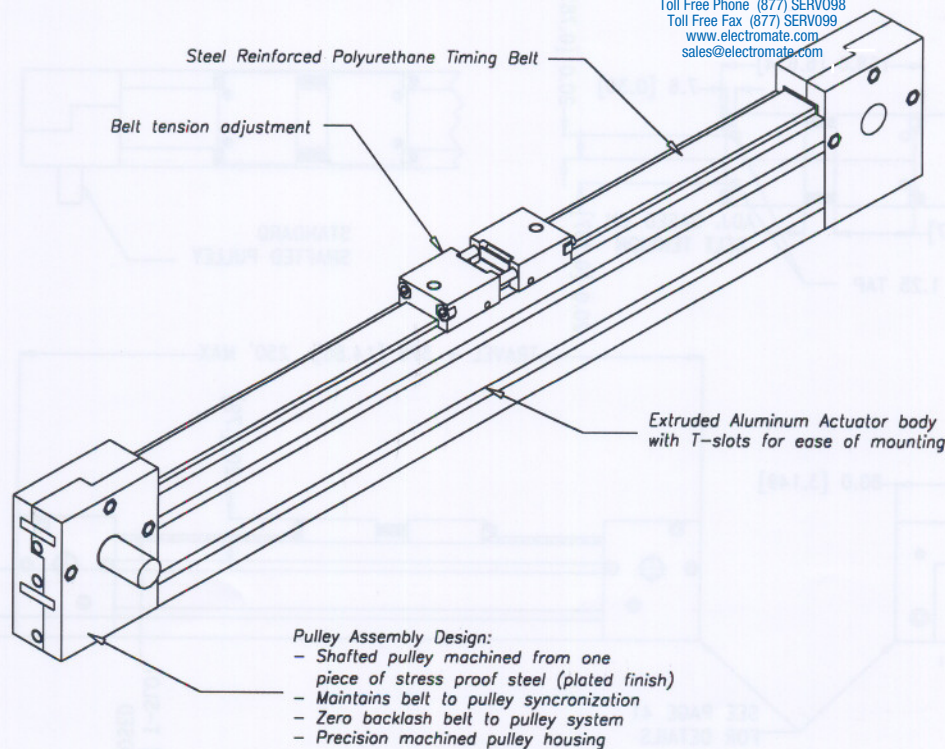
First meter of travel	16 lbs	} As Shown (40x80S Extrusion)
Additional per meter	6 lbs	

Note: No Flag Mount for Sensors

## OPTIONAL

- Stainless Steel Components upon request

Sold & Serviced By:  
**ELECTROMATE**  
Toll Free Phone (877) SERV098  
Toll Free Fax (877) SERV099  
[www.electromate.com](http://www.electromate.com)  
[sales@electromate.com](mailto:sales@electromate.com)



- For Multi-Axis Units and other specifications not listed, contact your local Distributor or Macron for Engineering Design assistance and quotations.