

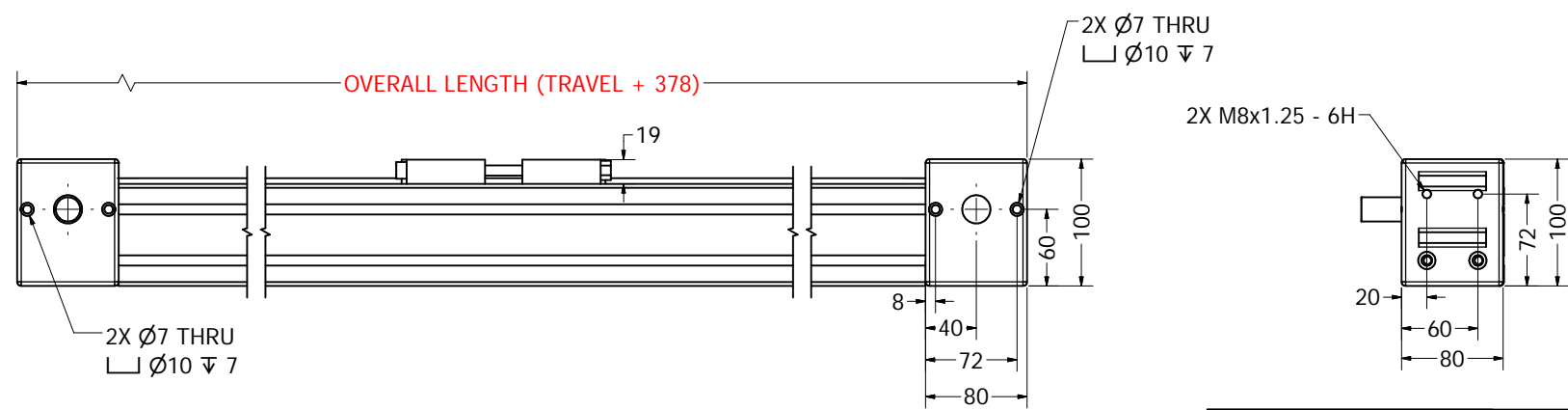
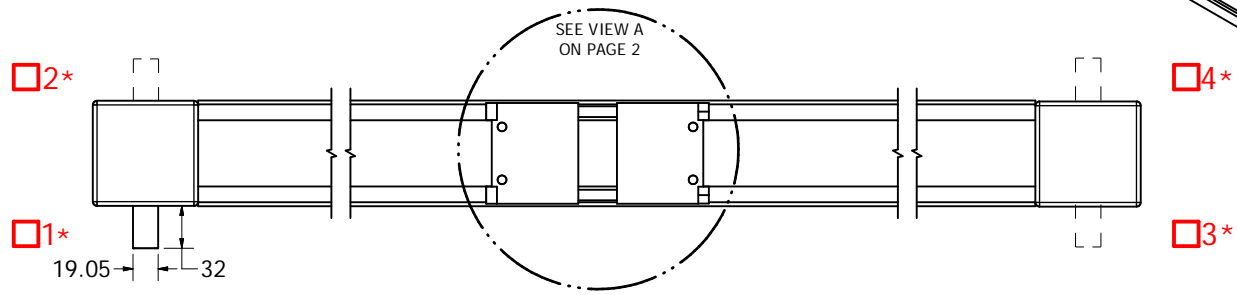
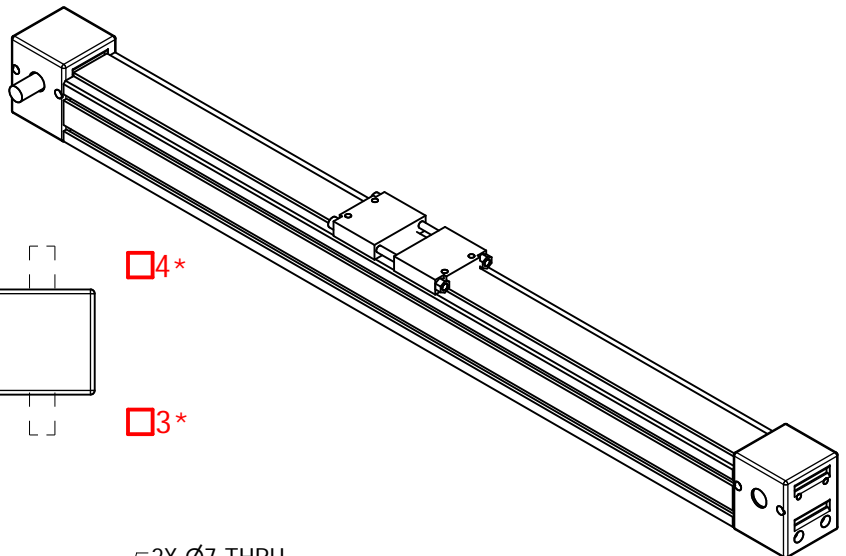
MSA - SB5 - G - BE - -

STOCK TRAVEL	OVERALL LENGTH	TRAVEL
	00750	372
	01000	622
	01250	872
	01500	1122
	01750	1372
	02000	1622
	02250	1872
	CUSTOM TRAVEL	

ENTER
OVERALL LENGTH [mm]

SELECT
DRIVE SHAFT LOCATION *

SPECIFY TYPE
A = SINGLE SHAFTED
B = DOUBLE SHAFTED

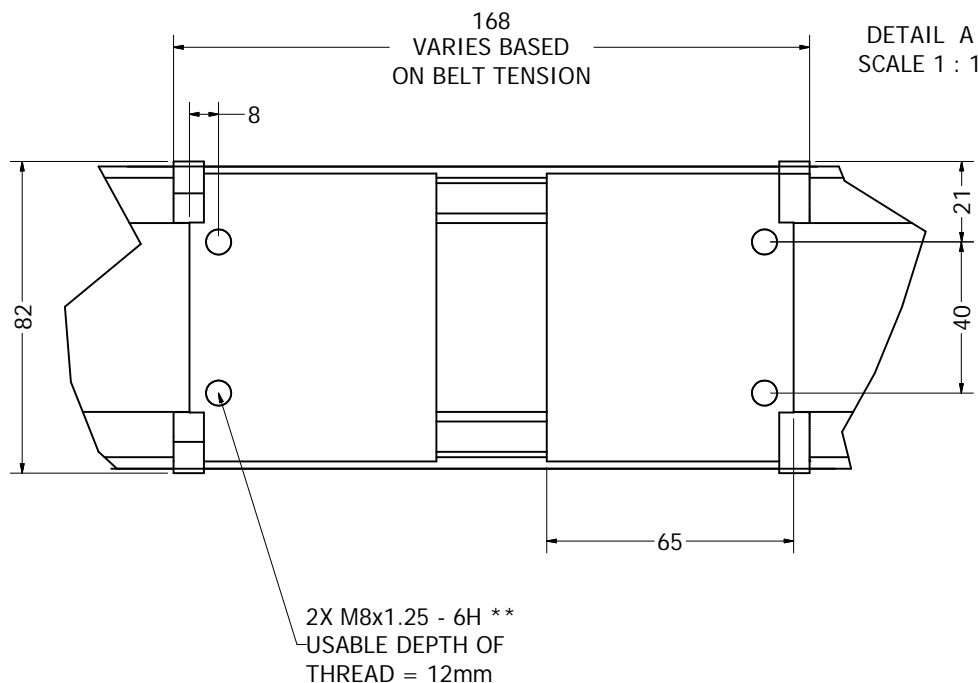
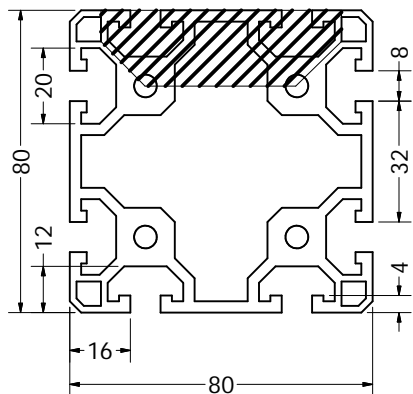


APPROVED: _____
DATE: _____

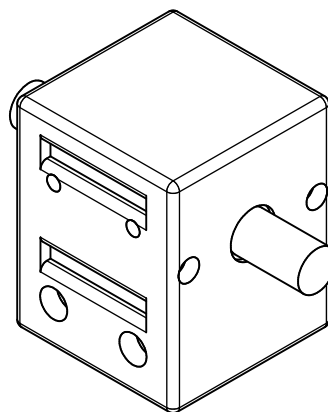
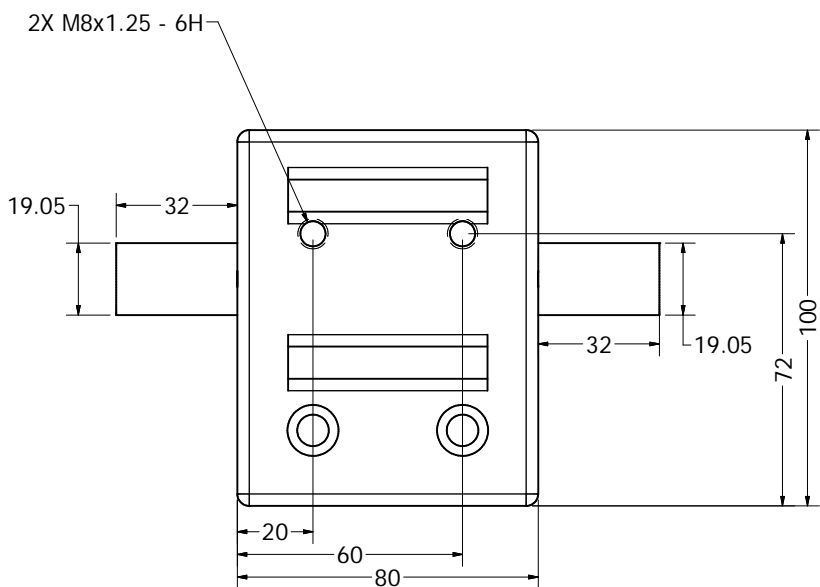
Sold & Serviced By:
ELECTROMATE
Toll Free Phone (877) SERV098
Toll Free Fax (877) SERV099
www.electromate.com
sales@electromate.com

 3RD ANGLE PROJECTION THIS DRAWING IS THE PROPERTY OF MACRON DYNAMICS INC. ANY REPRODUCTIONS SHALL BE FOR QUOTATION, MANUFACTURING, OR PURCHASING PURPOSES ONLY. RELEASE OF DRAWINGS TO OTHER CONCERNS DOES NOT CONSTITUTE LICENSING IN ANY WAY. INFORMATION CONTAINED HEREIN IS PROPRIETARY AND CONFIDENTIAL.	 MACRON DYNAMICS, INC.
COMPUTER GENERATED DOCUMENT. MANUAL CHANGES NOT PERMITTED	DWG. NO. MSA-SB5
UNLESS OTHERWISE SPECIFIED ALL DIMENSIONS IN MILLIMETERS	REV 02 <small>DO NOT SCALE DRAWING SHEET 1 OF 6</small>

ACTUATOR BODY
MOUNTING FEATURES
T-NUT SLOTS



DOUBLE SHAFTED
PULLEY



Sold & Serviced By:
ELECTROMATE
Toll Free Phone (877) SERV098
Toll Free Fax (877) SERV099
www.electromate.com
sales@electromate.com

****NOTE:** FOR INTERFACE MTG
PLATES, SLOT HOLES ON ONE SIDE
TO ALLOW FOR BELT TENSIONING

<p>3RD ANGLE PROJECTION</p>	<p>MACRON DYNAMICS, INC.</p>	<p>TITLE</p> <p>MACRON SINGLE BELT DRIVE 50</p>	
		<p>COMPUTER GENERATED DOCUMENT. MANUAL CHANGES NOT PERMITTED</p>	<p>DWG. NO.</p> <p>MSA-SB5</p>
<p>UNLESS OTHERWISE SPECIFIED ALL DIMENSIONS IN MILLIMETERS</p>	<p>DO NOT SCALE DRAWING</p>	<p>REV</p> <p>02</p>	<p>SHEET 2 OF 6</p>