

MSA - SB2 - E - BC - -

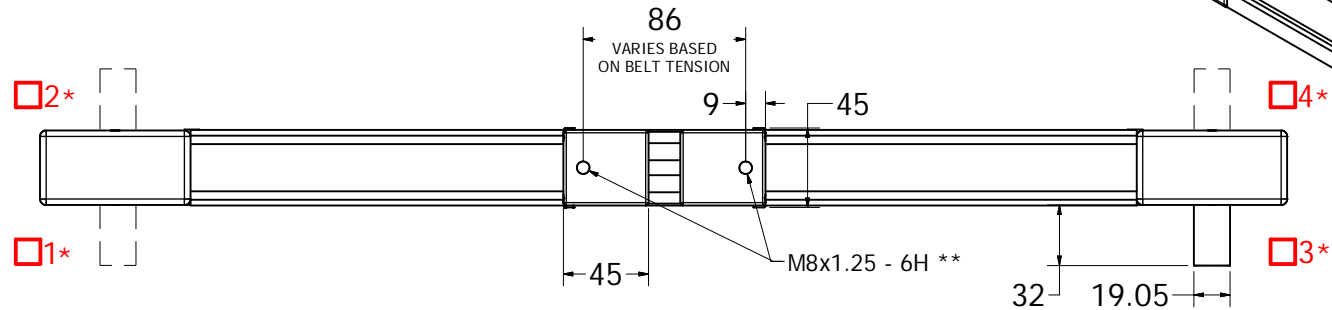
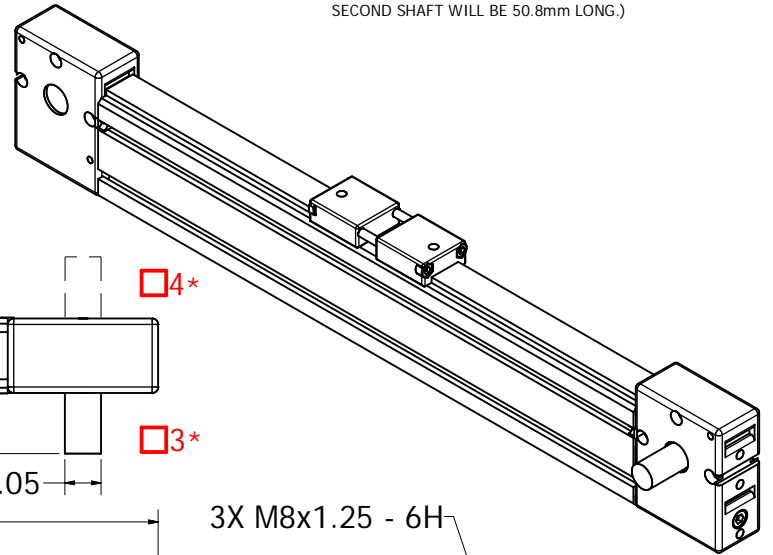
STOCK TRAVEL	OVERALL LENGTH	TRAVEL
	00500	184
	00750	434
	01000	684
	01250	934
	01500	1184
	01750	1434
	02000	1684
	02250	1934
	CUSTOM TRAVEL	

ENTER
OVERALL LENGTH [mm]

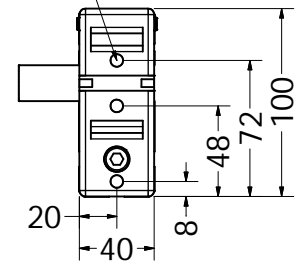
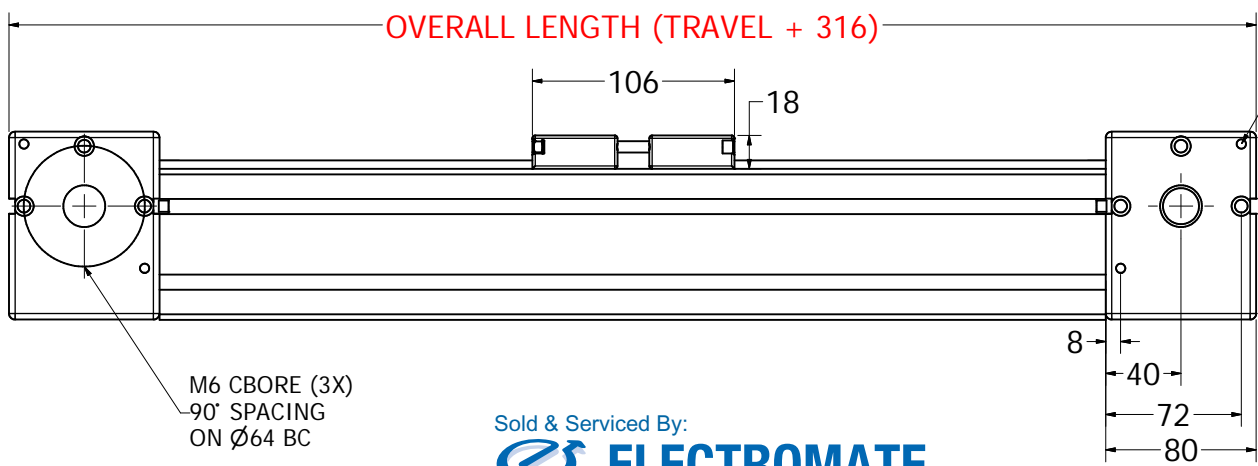
SELECT
DRIVE SHAFT LOCATION *

SPECIFY TYPE
A = SINGLE SHAFTED
B = DOUBLE SHAFTED

NOTE: (IF "B" IS USED THE NUMBER WILL DESIGNATE POSITION OF SHORT SHAFT, SECOND SHAFT WILL BE 50.8mm LONG.)



OVERALL LENGTH (TRAVEL + 316)



Sold & Serviced By:
ELECTROMATE

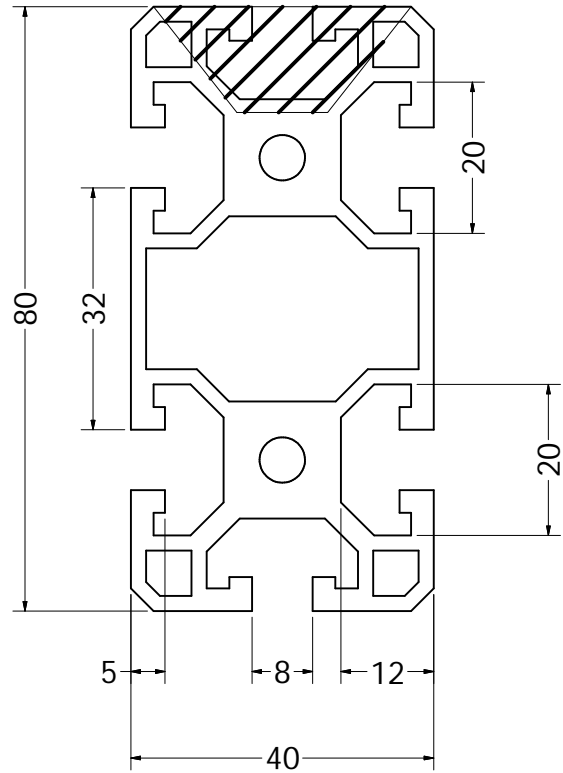
Toll Free Phone (877) SERV098
Toll Free Fax (877) SERV099
www.electromate.com
sales@electromate.com

****NOTE:** FOR INTERFACE MTG PLATES, SLOT HOLE ON IDLER SIDE TO ALLOW FOR BELT TENSIONING

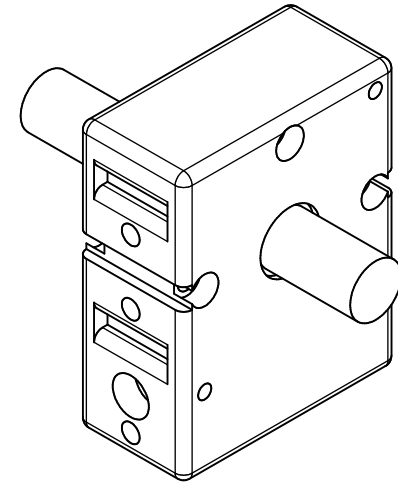
APPROVED: _____
DATE: _____

<p>3RD ANGLE PROJECTION</p> <p>THIS DRAWING IS THE PROPERTY OF MACRON DYNAMICS INC. ANY REPRODUCTIONS SHALL BE FOR QUOTATION, MANUFACTURING, OR PURCHASING PURPOSES ONLY. RELEASE OF DRAWINGS TO OTHER CONCERNS DOES NOT CONSTITUTE LICENSING IN ANY WAY. INFORMATION CONTAINED HEREIN IS PROPRIETARY AND CONFIDENTIAL.</p> <p>COMPUTER GENERATED DOCUMENT. MANUAL CHANGES NOT PERMITTED</p> <p>UNLESS OTHERWISE SPECIFIED ALL DIMENSIONS IN MILLIMETERS</p>	<p>MACRON DYNAMICS, INC.</p>	<p>TITLE</p> <p>MACRON SINGLE BELT DRIVE 25</p>	<p>REV</p> <p>02</p>

ACTUATOR BODY
MOUNTING FEATURES
T-NUT SLOTS

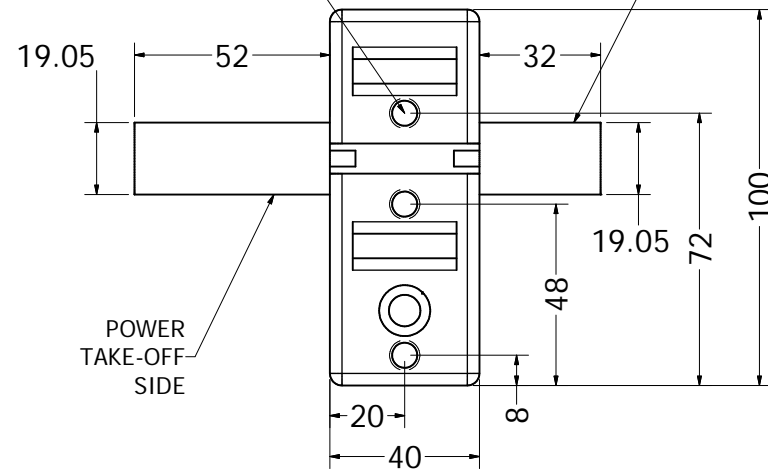


DOUBLE SHAFTED
PULLEY



3X M8x1.25 - 6H

MOTOR
MOUNTING
SIDE



Sold & Serviced By:



Toll Free Phone (877) SERV098
Toll Free Fax (877) SERV099
www.electromate.com
sales@electromate.com

 3RD ANGLE PROJECTION	 MACRON DYNAMICS, INC.
<small>THIS DRAWING IS THE PROPERTY OF MACRON DYNAMICS, INC. ANY REPRODUCTIONS SHALL BE FOR QUOTATION, MANUFACTURING, OR PURCHASING PURPOSES ONLY. RELEASE OF DRAWINGS TO OTHER CONCERNS DOES NOT CONSTITUTE LICENSING IN ANY WAY. INFORMATION CONTAINED HEREIN IS PROPRIETARY AND CONFIDENTIAL.</small>	<small>COMPUTER GENERATED DOCUMENT. MANUAL CHANGES NOT PERMITTED</small>
<small>UNLESS OTHERWISE SPECIFIED ALL DIMENSIONS IN MILLIMETERS</small>	<small>MACRON SINGLE BELT DRIVE 25</small> DWG. NO. MSA-SB2 <small>DO NOT SCALE DRAWING</small>
	<small>REV 02</small>