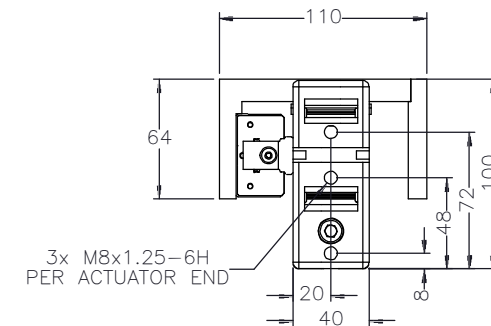
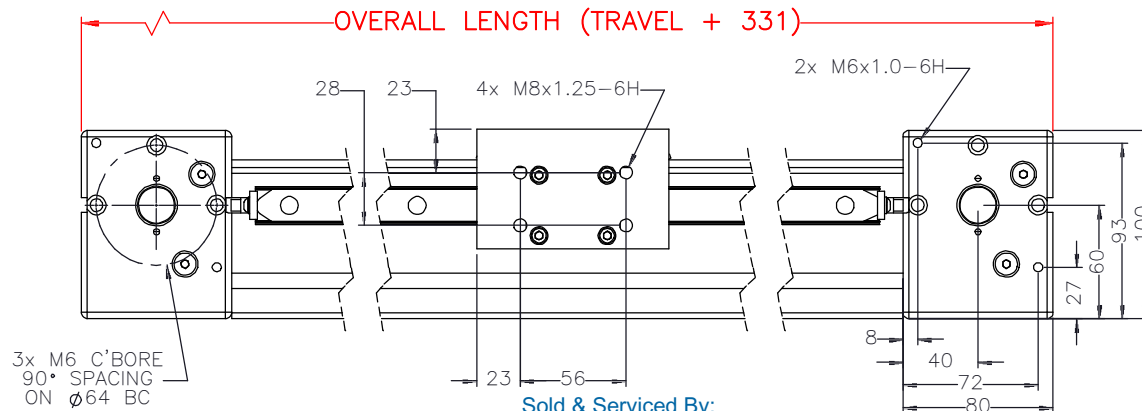
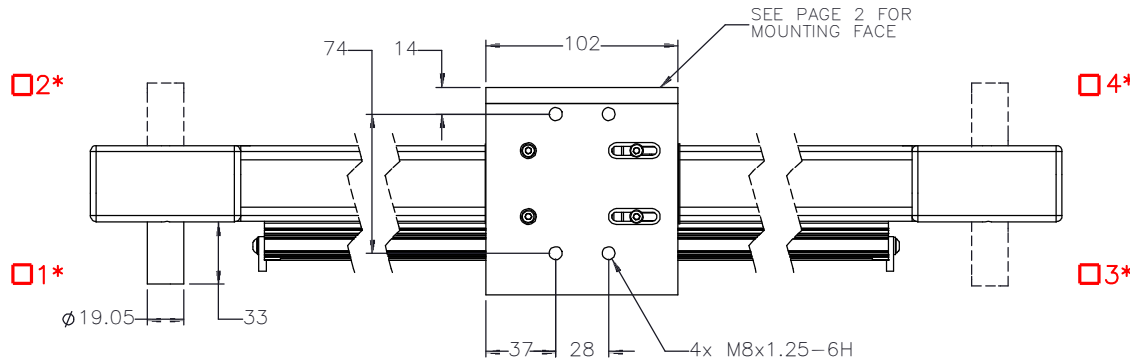
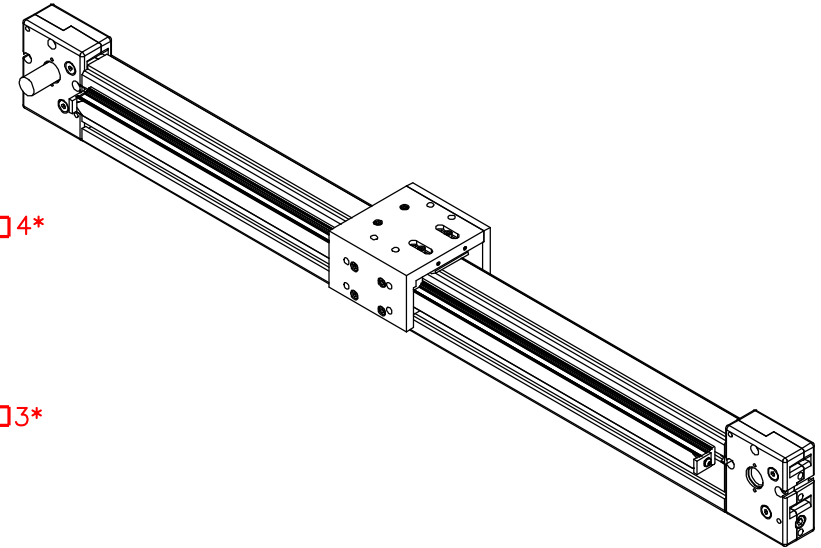


MSA-R6S-E-BC- -

STOCK TRAVEL	OVERALL LENGTH	TRAVEL
	00750	419
	01000	669
	01250	919
	01500	1169
	01750	1419
	02000	1669
02250	1919	
	CUSTOM TRAVEL	

ENTER
OVERALL LENGTH (mm)
SELECT
DRIVE SHAFT LOCATION*
SHAFTING TYPE
A=SINGLE SHAFTED
B=DOUBLE SHAFTED

NOTE: (IF "B" IS USED THE NUMBER WILL DESIGNATE POSITION OF SHORT SHAFT, SECOND SHAFT WILL BE 50.8mm LONG.)



Sold & Serviced By:
ELECTROMATE

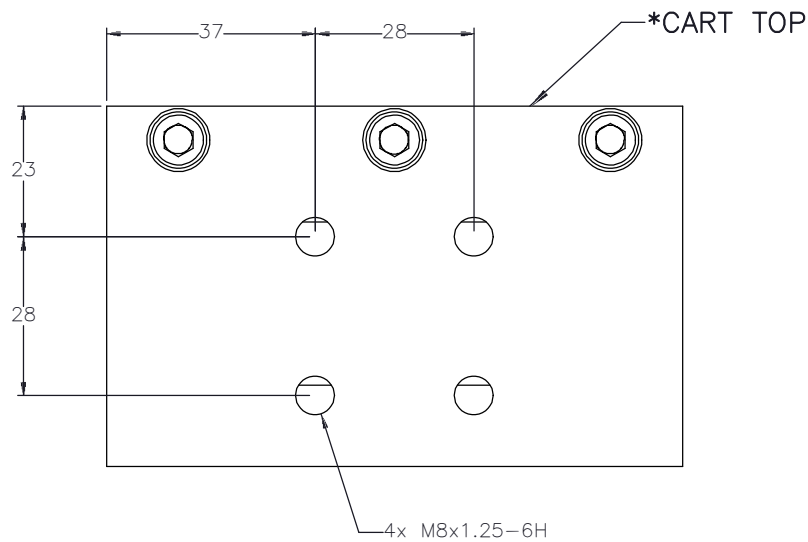
Toll Free Phone (877) SERV098
Toll Free Fax (877) SERV099
www.electromate.com
sales@electromate.com

APPROVED: _____
DATE: _____

 MACRON DYNAMICS INC	DRAWN BY: ASB DATE: 3/6/2012 MATERIAL:	TITLE: MACRON 6 RAIL ACTUATOR
	CHECKED BY: --- DATE: DD/MM/YYYY	
	LAST SAVED BY: Alex DATE: 12/12/2013	
UNLESS OTHERWISE SPECIFIED: DIMENSIONS ARE IN INCHES: TOLERANCES UNLESS NOTED OTHERWISE:	FINISH: .X ± .03 .XX ± .010 .XXX ± .005 ANG ± 0°30'	SCALE: 1:1 SHEET SIZE: C
SURFACE FINISH: <input checked="" type="checkbox"/>	SHEET: 1 OF 6 PART NUMBER:	TITLE: MSA-R6S
BREAK ALL SHARP EDGES DIMENSIONAL LIMITS APPLY AFTER FINISHING THIRD ANGLE PROJECTION	SHEET: 1 OF 6 PART NUMBER:	TITLE: MSA-R6S

SPECIFICATIONS ARE SUBJECT TO CHANGE WITHOUT NOTICE

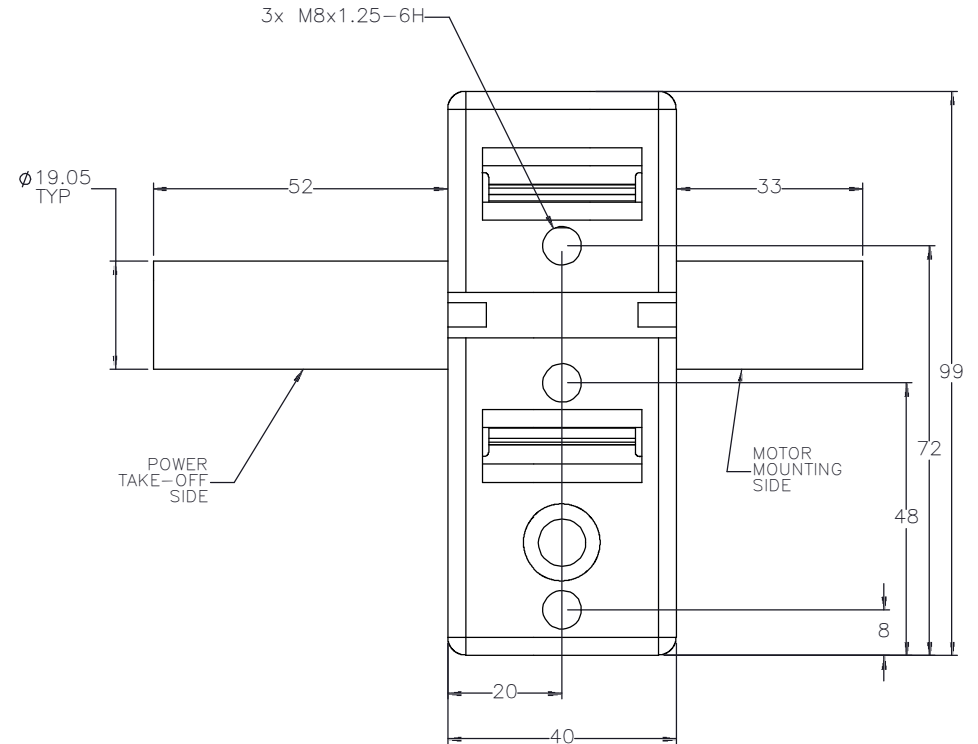
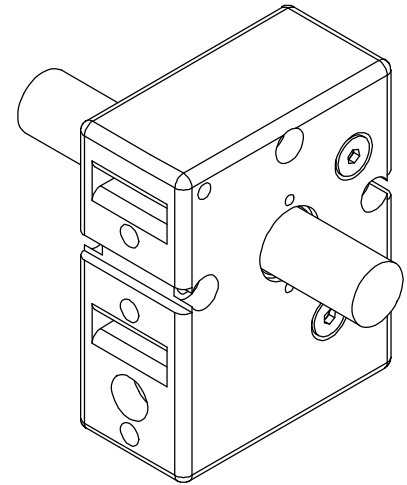
CART MOUNTING FEATURES



DOUBLE SHAFTED PULLEY

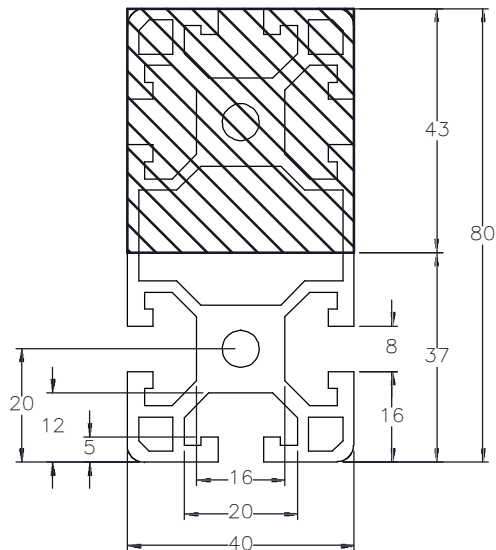
Sold & Serviced By:


 Toll Free Phone (877) SERV098
 Toll Free Fax (877) SERV099
www.electromate.com
sales@electromate.com



CUSTOMER ACCESSIBLE MOUNTING FEATURES, T-NUT SLOTS

SUGGESTED MOUNTING ACCESSORY
 MACRON P/N: M22138



 MACRON DYNAMICS INC	DRAWN BY: ASB DATE: 3/6/2012	MATERIAL:	TITLE: MACRON 6 RAIL ACTUATOR	
	CHECKED BY: -- DATE: DD/MM/YYYY	FINISH:		
	LAST SAVED BY: Alex DATE: 12/12/2013	UNLESS OTHERWISE SPECIFIED: DIMENSIONS ARE IN INCHES: TOLERANCES UNLESS NOTED OTHERWISE: .X ± .03 .XX ± .010 .XXX ± .005 ANG ± 0°30'	SCALE: 1:1	SHEET SIZE: C
	THIS DRAWING IS THE PROPERTY OF MACRON DYNAMICS. ANY REPRODUCTIONS SHALL BE FOR QUOTATION, MANUFACTURING, OR PURCHASING PURPOSES ONLY. RELEASE OF DRAWINGS TO OTHER CONCERNS DOES NOT CONSTITUTE LICENSING IN ANY WAY. INFORMATION CONTAINED HEREIN IS PROPRIETARY AND CONFIDENTIAL.	SURFACE FINISH: <input checked="" type="checkbox"/> BREAK ALL SHARP EDGES DIMENSIONAL LIMITS APPLY AFTER FINISHING THIRD ANGLE PROJECTION	SHEET: 2 OF 6 PART NUMBER: MSA-R6S	REV: C

SPECIFICATIONS ARE SUBJECT TO CHANGE WITHOUT NOTICE