

MSA - R20 - G - BC - -

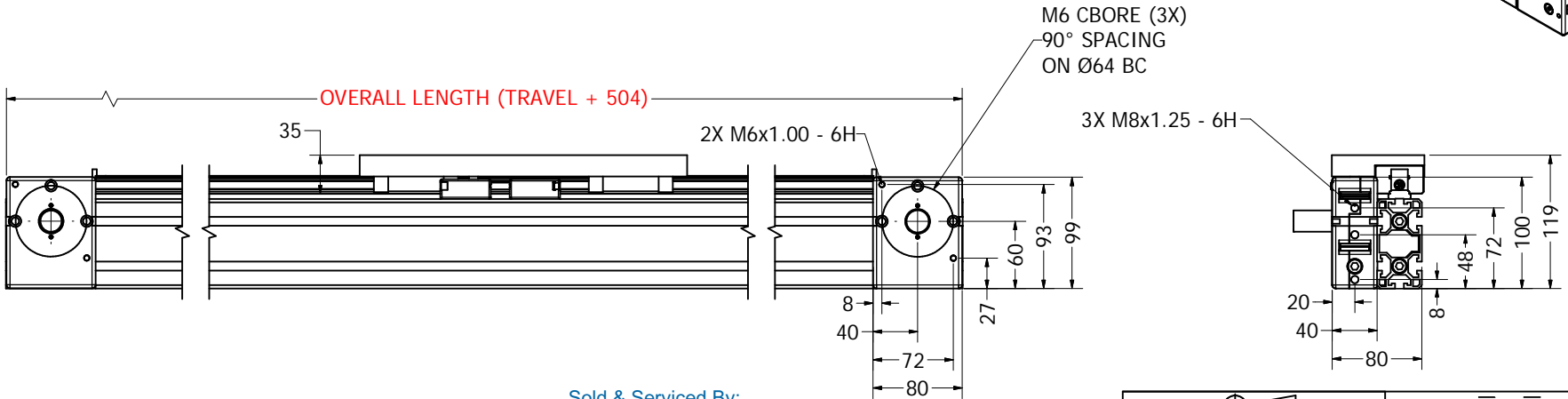
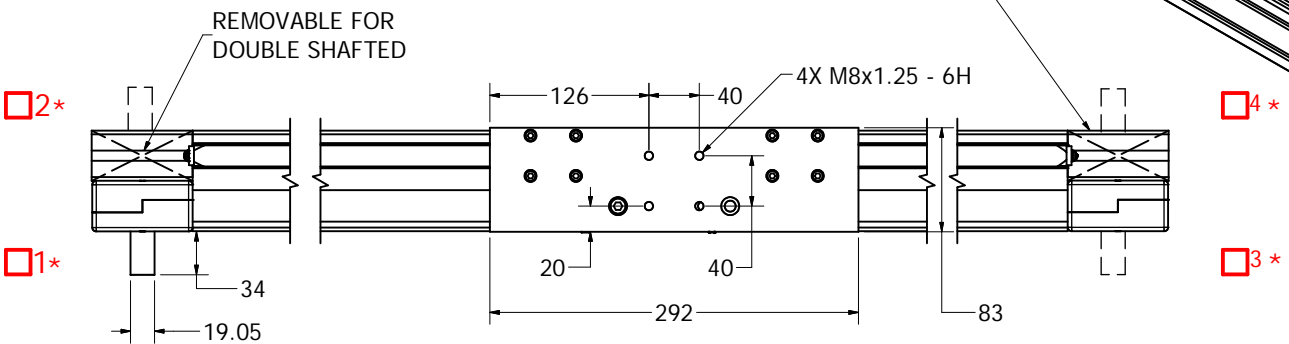
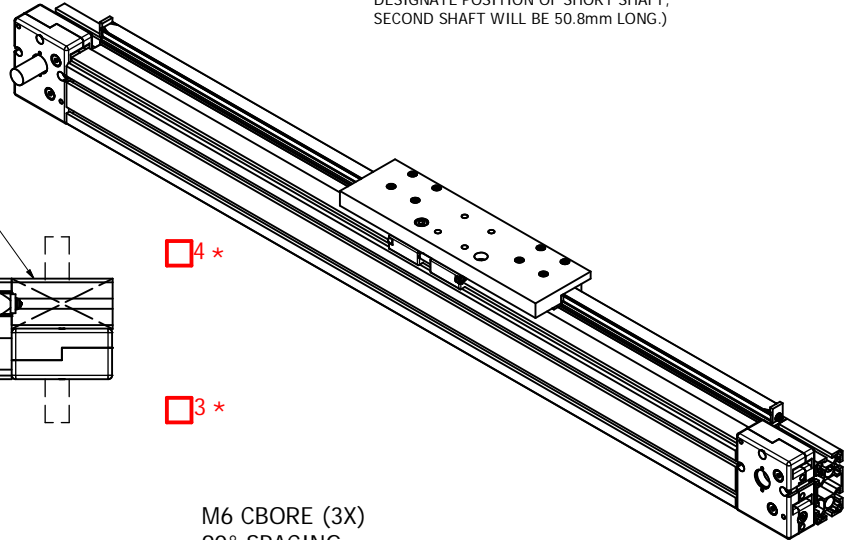
STOCK TRAVEL	OVERALL LENGTH	TRAVEL
	00750	247
	01000	497
	01250	747
	01500	997
	01750	1247
	02000	1497
	02250	1747
	CUSTOM TRAVEL	

ENTER
OVERALL LENGTH [mm]

SELECT
DRIVE SHAFT LOCATION *



SPECIFY TYPE
A = SINGLE SHAFTED
B = DOUBLE SHAFTED

NOTE: (IF "B" IS USED THE NUMBER WILL DESIGNATE POSITION OF SHORT SHAFT, SECOND SHAFT WILL BE 50.8mm LONG.)

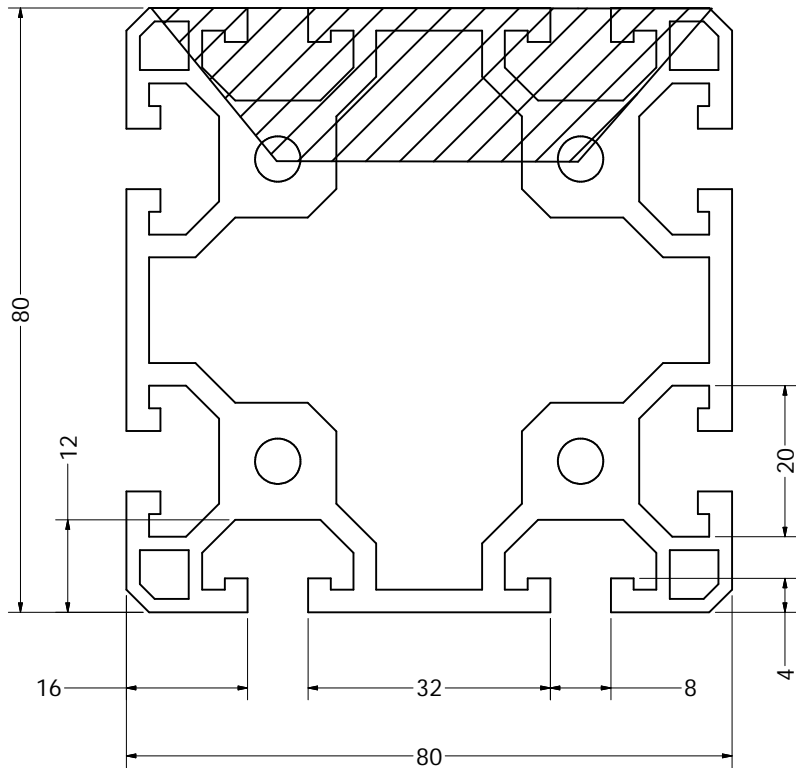


APPROVED: _____
DATE: _____

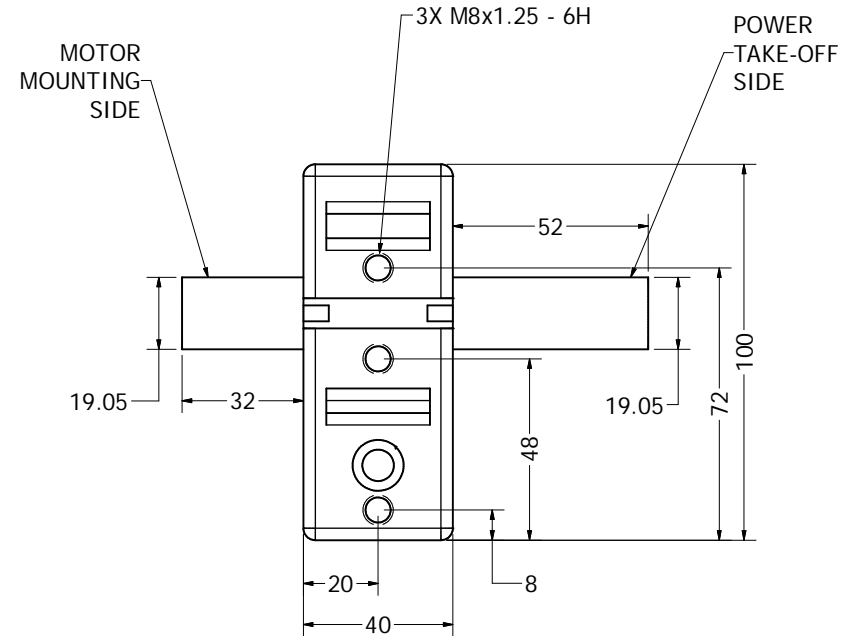
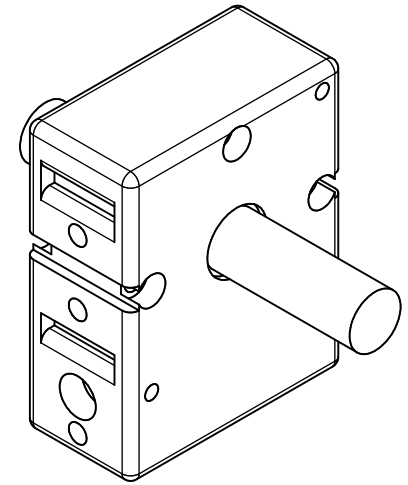
Sold & Serviced By:
 **ELECTROMATE**
 Toll Free Phone (877) SERV098
 Toll Free Fax (877) SERV099
www.electromate.com
sales@electromate.com

 3RD ANGLE PROJECTION	 MACRON DYNAMICS, INC.
THIS DRAWING IS THE PROPERTY OF MACRON DYNAMICS, INC. ANY REPRODUCTIONS SHALL BE FOR QUOTATION, MANUFACTURING, OR PURCHASING PURPOSES ONLY. RELEASE OF DRAWINGS TO OTHER CONCERNS DOES NOT CONSTITUTE LICENSING IN ANY WAY. INFORMATION CONTAINED HEREIN IS PROPRIETARY AND CONFIDENTIAL.	
COMPUTER GENERATED DOCUMENT. MANUAL CHANGES NOT PERMITTED	
UNLESS OTHERWISE SPECIFIED ALL DIMENSIONS IN MILLIMETERS	
DWG. NO. MSA-R20	REV 00
DO NOT SCALE DRAWING SHEET 1 OF 7	

ACTUATOR BODY
MOUNTING FEATURES
T-NUT SLOTS



DOUBLE SHAFTED
PULLEY



Sold & Serviced By:



Toll Free Phone (877) SERV098
Toll Free Fax (877) SERV099
www.electromate.com
sales@electromate.com

<p>3RD ANGLE PROJECTION</p>		<p>MACRON DYNAMICS, INC.</p>	
<p>THIS DRAWING IS THE PROPERTY OF MACRON DYNAMICS INC. ANY REPRODUCTIONS SHALL BE FOR QUOTATION, MANUFACTURING, OR PURCHASING PURPOSES ONLY. RELEASE OF DRAWINGS TO OTHER CONCERNS DOES NOT CONSTITUTE LICENSING IN ANY WAY. INFORMATION CONTAINED HEREIN IS PROPRIETARY AND CONFIDENTIAL.</p>			
<p>COMPUTER GENERATED DOCUMENT. MANUAL CHANGES NOT PERMITTED</p>		<p>TITLE MACRON RAIL ACTUATOR</p>	
<p>UNLESS OTHERWISE SPECIFIED ALL DIMENSIONS IN MILLIMETERS</p>		<p>DWG. NO. MSA-R20</p>	<p>REV 00</p>
		<p>DO NOT SCALE DRAWING SHEET 2 OF 7</p>	