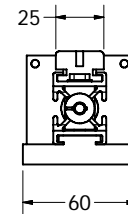
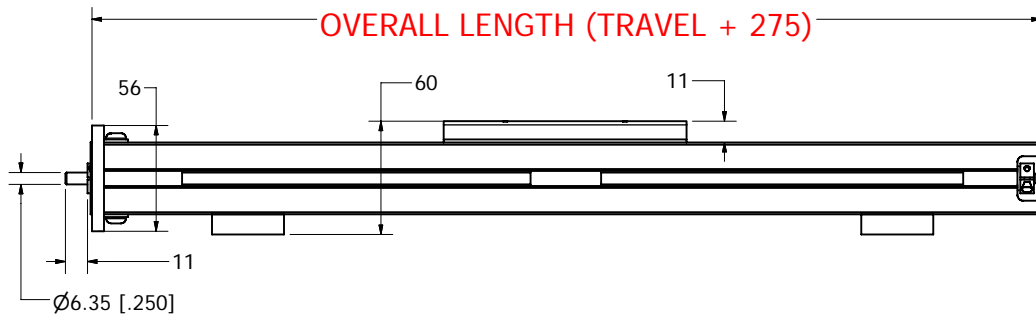
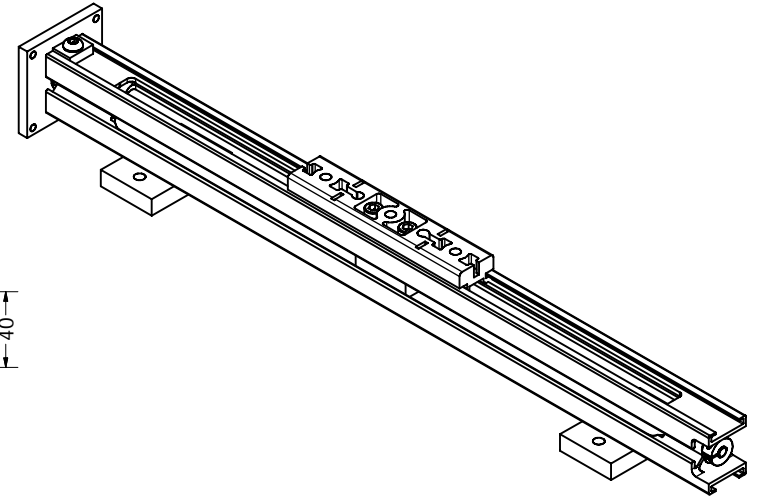
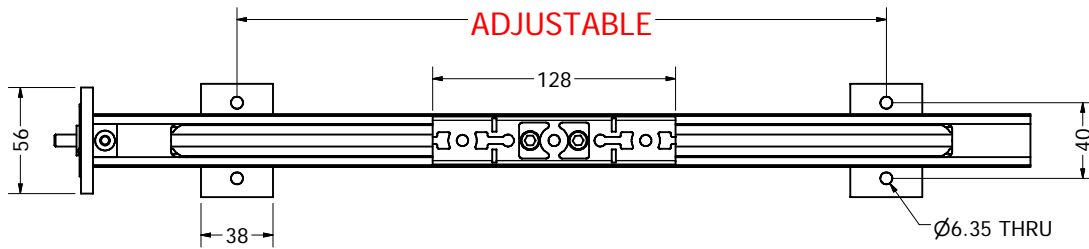


MSA - PSS - N - 00 - 00 -

STOCK TRAVEL	OVERALL LENGTH	TRAVEL
	00377	102
	00428	153
	00479	204
	00529	254
	00580	305
	CUSTOM TRAVEL	

ENTER
OVERALL LENGTH [mm]



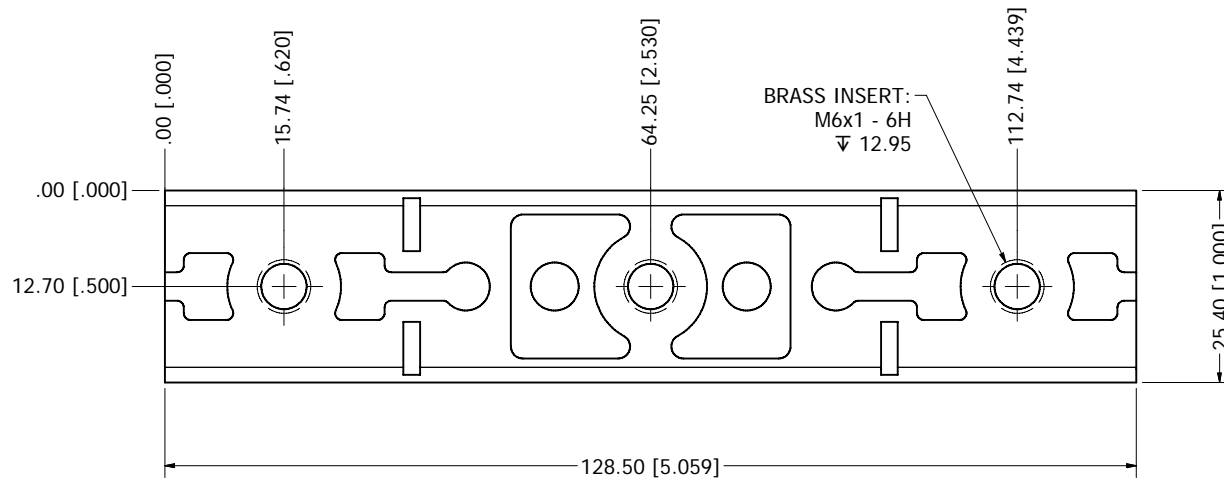
APPROVED: _____
DATE: _____

MATERIAL:
FINISH:

Sold & Serviced By:
ELECTROMATE
Toll Free Phone (877) SERV098
Toll Free Fax (877) SERV099
www.electromate.com
sales@electromate.com

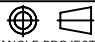

<p>3RD ANGLE PROJECTION STD. RAW STOCK COMERL. TOL. APPLY BREAK ALL SHARP EDGES DIMENSIONAL LIMITS APPLY AFTER FINISH MACHINED ⁸/TYP ALL SURFACES UNLESS OTHERWISE SPECIFIED ALL DIMENSIONS IN MILLIMETERS ALL DIMENSIONS IN [] ARE IN INCHES -TOLERANCES UNLESS SPECIFIED- ANGULAR 0°-30° FRACTIONAL ± 0.40 [1/64] DECIMAL 1 PLC ± 0.3 [0.01] DECIMAL 2 PLC ± 0.13 [0.005]</p>	<p>MACRON DYNAMICS INC</p>	<p>THIS DRAWING IS THE PROPERTY OF MACRON DYNAMICS. ANY REPRODUCTIONS SHALL BE FOR QUOTATION, MANUFACTURING, OR PURCHASING PURPOSES ONLY. RELEASE OF DRAWINGS TO OTHER CONCERNS DOES NOT CONSTITUTE LICENSING IN ANY WAY. INFORMATION CONTAINED HEREIN IS PROPRIETARY AND CONFIDENTIAL.</p>	
		<p>DRAWN AB</p>	<p>DATE 4/1/2008</p>
<p>CHECKED KM</p>	<p>APPROVED LM</p>	<p>DWG. NO. MSA-PSS</p>	<p>REV</p>
		<p>DO NOT SCALE DRAWING</p>	

CART MOUNTING FEATURES



Sold & Serviced By:
 **ELECTROMATE**
 Toll Free Phone (877) SERV098
 Toll Free Fax (877) SERV099
www.electromate.com
sales@electromate.com

MATERIAL:
FINISH:

 3RD ANGLE PROJECTION STD. RAW STOCK COMERL. TOL. APPLY BREAK ALL SHARP EDGES DIMENSIONAL LIMITS APPLY AFTER FINISH MACHINED ⁸⁰ /TYP ALL SURFACES UNLESS OTHERWISE SPECIFIED ALL DIMENSIONS IN MILLIMETERS ALL DIMENSIONS IN [] ARE IN INCHES -TOLERANCES UNLESS SPECIFIED- ANGULAR 0°-30° FRACTIONAL ± 0.40 [1/64] DECIMAL 1 PLC ± 0.3 [0.01] DECIMAL 2 PLC ± 0.13 [0.005]	 MACRON DYNAMICS INC	THIS DRAWING IS THE PROPERTY OF MACRON DYNAMICS. ANY REPRODUCTIONS SHALL BE FOR QUOTATION, MANUFACTURING, OR PURCHASING PURPOSES ONLY. RELEASE OF DRAWINGS TO OTHER CONCERNS DOES NOT CONSTITUTE LICENSING IN ANY WAY. INFORMATION CONTAINED HEREIN IS PROPRIETARY AND CONFIDENTIAL.	
		DRAWN AB	DATE 4/1/2008
CHECKED KM	APPROVED LM	DWG. NO. MSA-PSS	REV
		DO NOT SCALE DRAWING	

4

3

2

1

D

D

C

C

B

B

A

A

A

A

4

3

2

1

SHEET 2 OF 7