

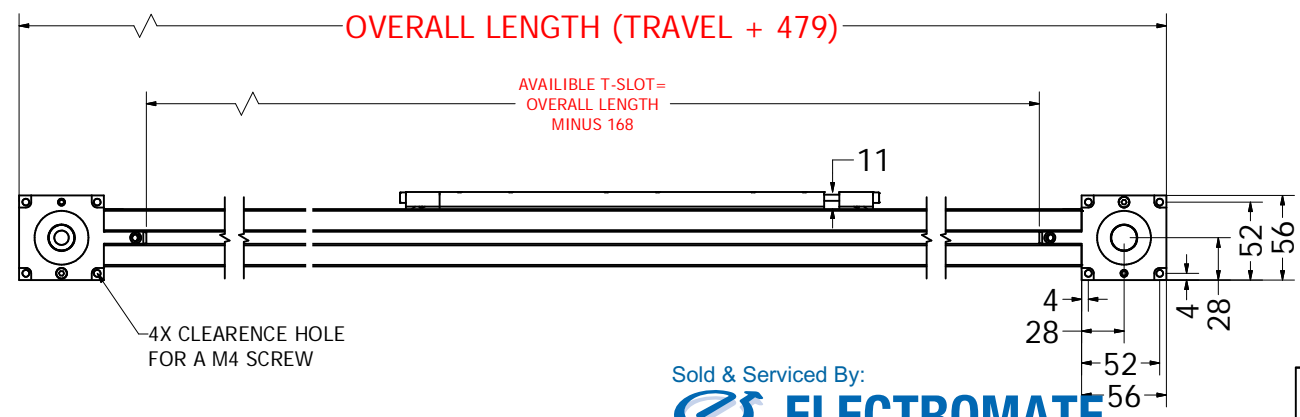
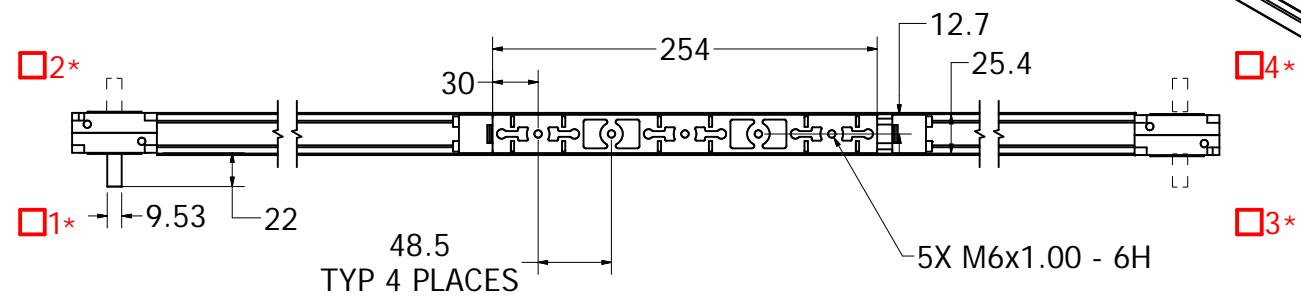
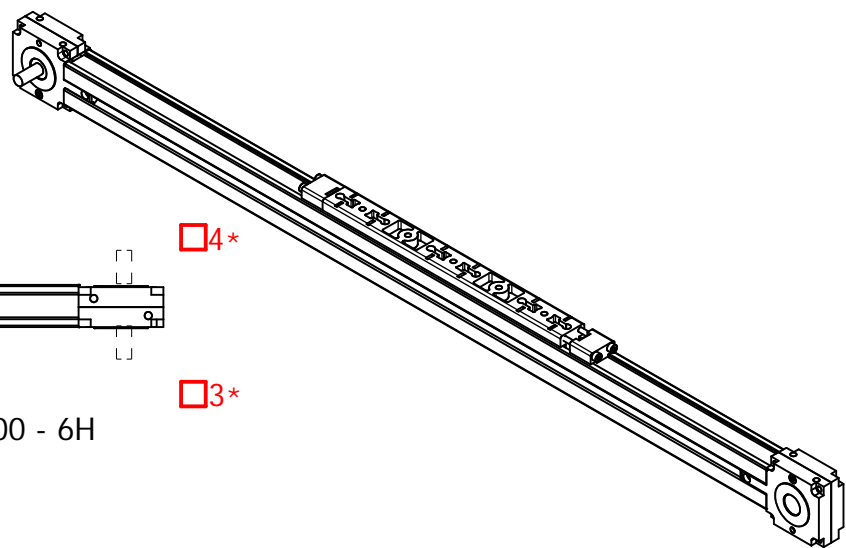
MSA - PSC - 0 - GB - -

ENTER OVERALL LENGTH [mm]

SELECT DRIVE SHAFT LOCATION *

SPECIFY TYPE
A = SINGLE SHAFTED
B = DOUBLE SHAFTED

STOCK TRAVEL	OVERALL LENGTH	TRAVEL
	00750	271
	01000	521
	01250	771
	01500	1021
	01750	1271
	02000	1521
	02250	1771
	CUSTOM TRAVEL	



APPROVED: _____
DATE: _____

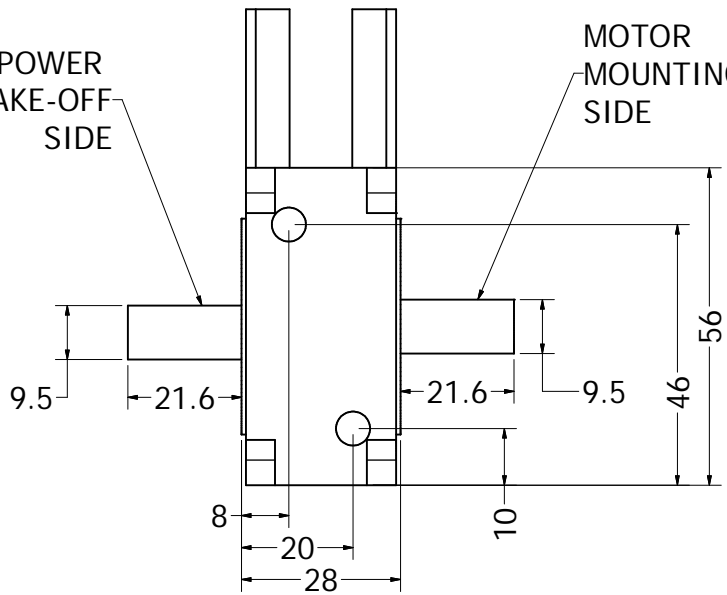
Sold & Serviced By:
ELECTROMATE
Toll Free Phone (877) SERV098
Toll Free Fax (877) SERV099
www.electromate.com
sales@electromate.com

<p>3RD ANGLE PROJECTION</p>	<p>MACRON DYNAMICS, INC.</p>
<p>THIS DRAWING IS THE PROPERTY OF MACRON DYNAMICS, INC. ANY REPRODUCTIONS SHALL BE FOR QUOTATION, MANUFACTURING, OR PURCHASING PURPOSES ONLY. RELEASE OF DRAWINGS TO OTHER CONCERNS DOES NOT CONSTITUTE LICENSING IN ANY WAY. INFORMATION CONTAINED HEREIN IS PROPRIETARY AND CONFIDENTIAL.</p>	<p>TITLE MACRON PSC</p>
<p>COMPUTER GENERATED DOCUMENT. MANUAL CHANGES NOT PERMITTED</p>	<p>DWG. NO. MSA-PSC</p>
<p>UNLESS OTHERWISE SPECIFIED ALL DIMENSIONS IN MILLIMETERS</p>	<p>REV 02</p> <p>DO NOT SCALE DRAWING SHEET 1 OF 6</p>

DOUBLE SHAFTED
PULLEY

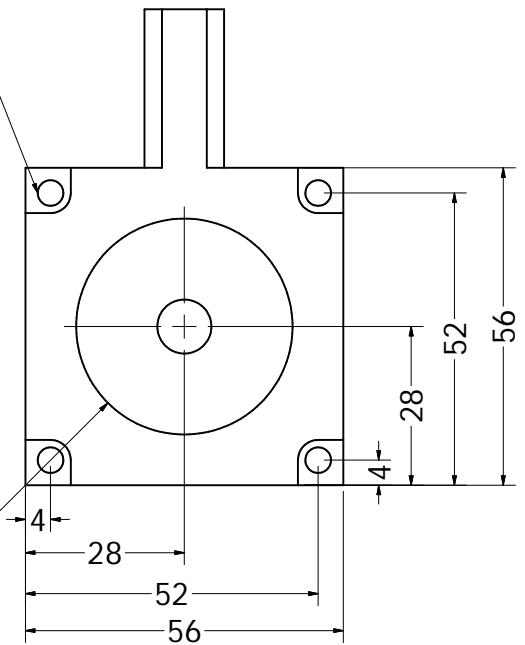
POWER
TAKE-OFF
SIDE

MOTOR
MOUNTING
SIDE

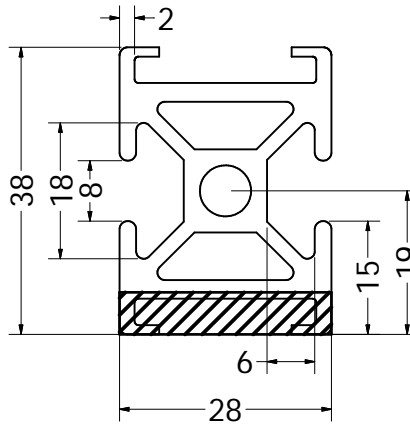


4X CLEARANCE HOLE
FOR A M4 SCREW

Ø38.10 PILOT
0.80 mm TALL
(SHAFT LOCATION ONLY)



ACTUATOR BODY
MOUNTING FEATURES
T-NUT SLOTS



Sold & Serviced By:



Toll Free Phone (877) SERV098
Toll Free Fax (877) SERV099
www.electromate.com
sales@electromate.com

<p>3RD ANGLE PROJECTION</p>		<p>MACRON DYNAMICS, INC.</p>
<p>THIS DRAWING IS THE PROPERTY OF MACRON DYNAMICS, INC. ANY REPRODUCTIONS SHALL BE FOR QUOTATION, MANUFACTURING, OR PURCHASING PURPOSES ONLY. RELEASE OF DRAWINGS TO OTHER CONCERNS DOES NOT CONSTITUTE LICENSING IN ANY WAY. INFORMATION CONTAINED HEREIN IS PROPRIETARY AND CONFIDENTIAL.</p>		
<p>COMPUTER GENERATED DOCUMENT. MANUAL CHANGES NOT PERMITTED</p>		<p>TITLE MACRON PSC</p>
<p>UNLESS OTHERWISE SPECIFIED ALL DIMENSIONS IN MILLIMETERS</p>		<p>DWG. NO. MSA-PSC</p>
		<p>REV 02</p>
		<p>DO NOT SCALE DRAWING SHEET 2 OF 6</p>