

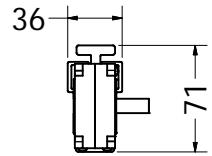
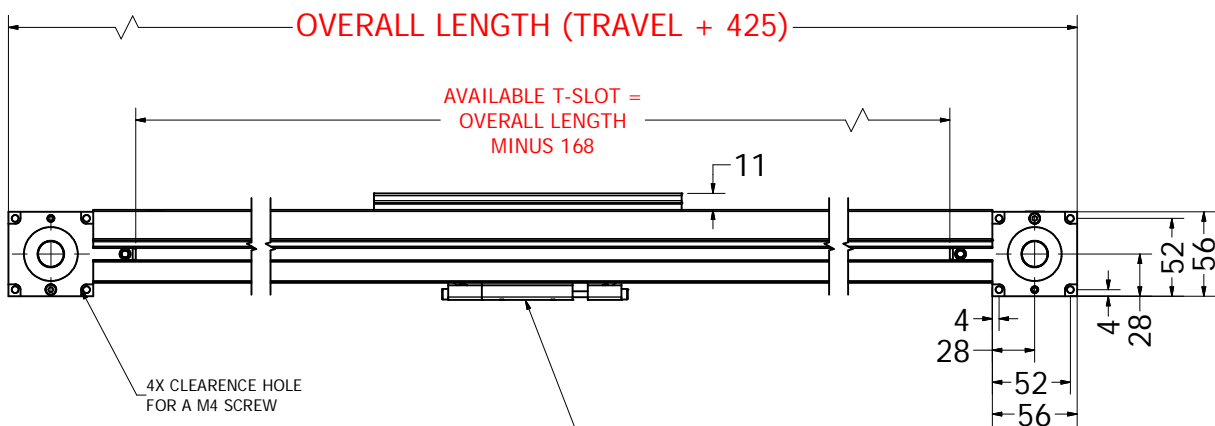
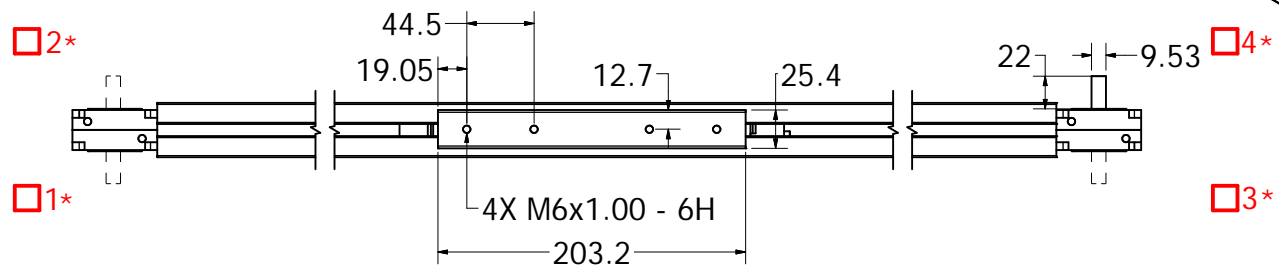
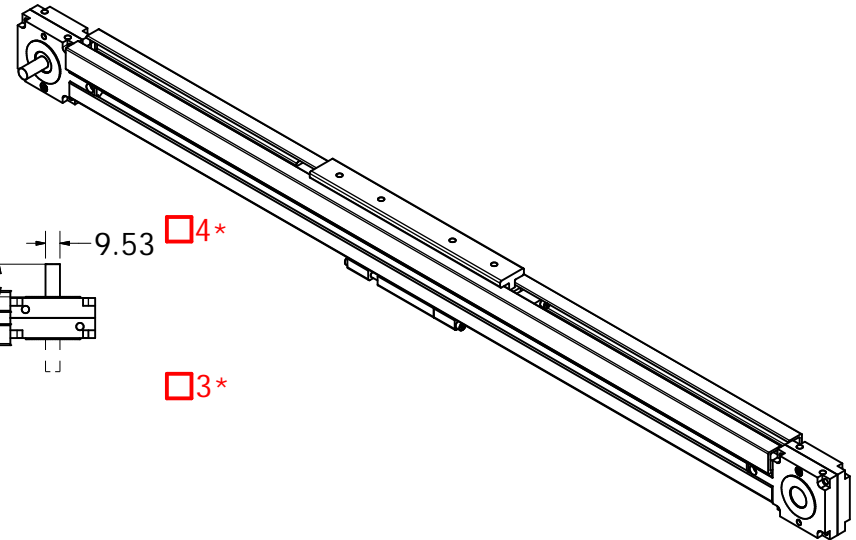
MSA - NBC - 0 - GB - -

STOCK TRAVEL	OVERALL LENGTH	TRAVEL
	00750	325
	01000	575
	01250	825
	01500	1075
	01750	1325
	02000	1575
	02250	1825
	CUSTOM TRAVEL	

ENTER
OVERALL LENGTH [mm]

SELECT
DRIVE SHAFT LOCATION *

SPECIFY TYPE
A = SINGLE SHAFTED
B = DOUBLE SHAFTED



APPROVED: _____
DATE: _____

TENSION ASSEMBLY ONLY
NOT FOR MOUNTING

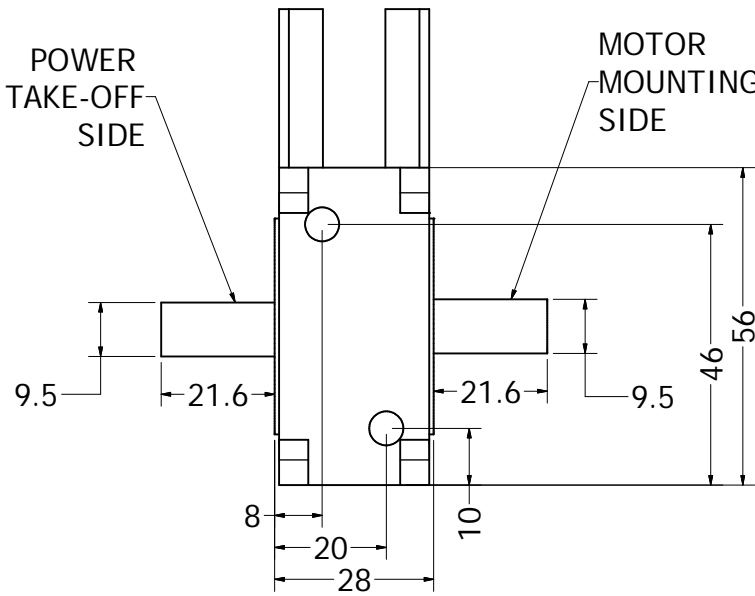
Sold & Serviced By:
ELECTROMATE
Toll Free Phone (877) SERV098
Toll Free Fax (877) SERV099
www.electromate.com
sales@electromate.com

3RD ANGLE PROJECTION		
THIS DRAWING IS THE PROPERTY OF MACRON DYNAMICS INC. ANY REPRODUCTIONS SHALL BE FOR QUOTATION, MANUFACTURING, OR PURCHASING PURPOSES ONLY. RELEASE OF DRAWINGS TO OTHER CONCERNS DOES NOT CONSTITUTE LICENSING IN ANY WAY. INFORMATION CONTAINED HEREIN IS PROPRIETARY AND CONFIDENTIAL.	MACRON DYNAMICS, INC.	
COMPUTER GENERATED DOCUMENT. MANUAL CHANGES NOT PERMITTED	TITLE MACRON NBC	
UNLESS OTHERWISE SPECIFIED ALL DIMENSIONS IN MILLIMETERS	DWG. NO. MSA-NBC	REV 02
	DO NOT SCALE DRAWING SHEET 1 OF 7	

DOUBLE SHAFTED PULLEY

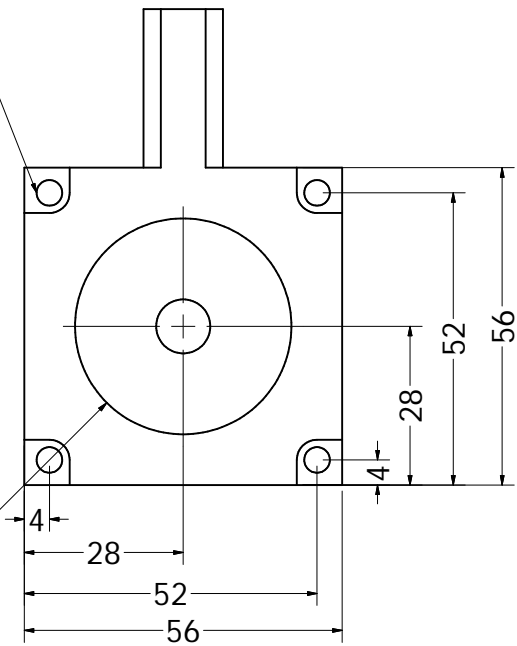
POWER TAKE-OFF SIDE

MOTOR MOUNTING SIDE

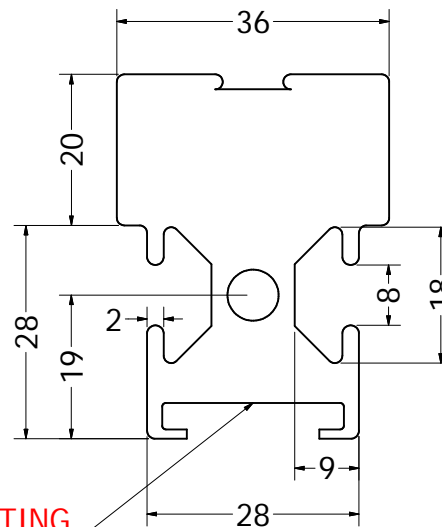


4X CLEARANCE HOLE FOR A M4 SCREW

Ø38.10 PILOT
0.80 mm TALL
(SHAFT LOCATION ONLY)



ACTUATOR BODY MOUNTING FEATURES T-NUT SLOTS



NOT A MOUNTING SURFACE

Sold & Serviced By:



Toll Free Phone (877) SERV098
Toll Free Fax (877) SERV099
www.electromate.com
sales@electromate.com

<p>3RD ANGLE PROJECTION</p>		<p>MACRON DYNAMICS, INC.</p>
<p>THIS DRAWING IS THE PROPERTY OF MACRON DYNAMICS, INC. ANY REPRODUCTIONS SHALL BE FOR QUOTATION, MANUFACTURING, OR PURCHASING PURPOSES ONLY. RELEASE OF DRAWINGS TO OTHER CONCERNS DOES NOT CONSTITUTE LICENSING IN ANY WAY. INFORMATION CONTAINED HEREIN IS PROPRIETARY AND CONFIDENTIAL.</p>		
<p>COMPUTER GENERATED DOCUMENT. MANUAL CHANGES NOT PERMITTED</p>		<p>TITLE MACRON NBC</p>
<p>UNLESS OTHERWISE SPECIFIED ALL DIMENSIONS IN MILLIMETERS</p>		<p>DWG. NO. MSA-NBC</p>
		<p>REV 02</p>

DO NOT SCALE DRAWING | SHEET 2 OF 7