

MSA - M6S - E - BC - -

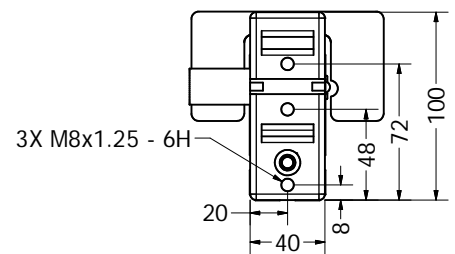
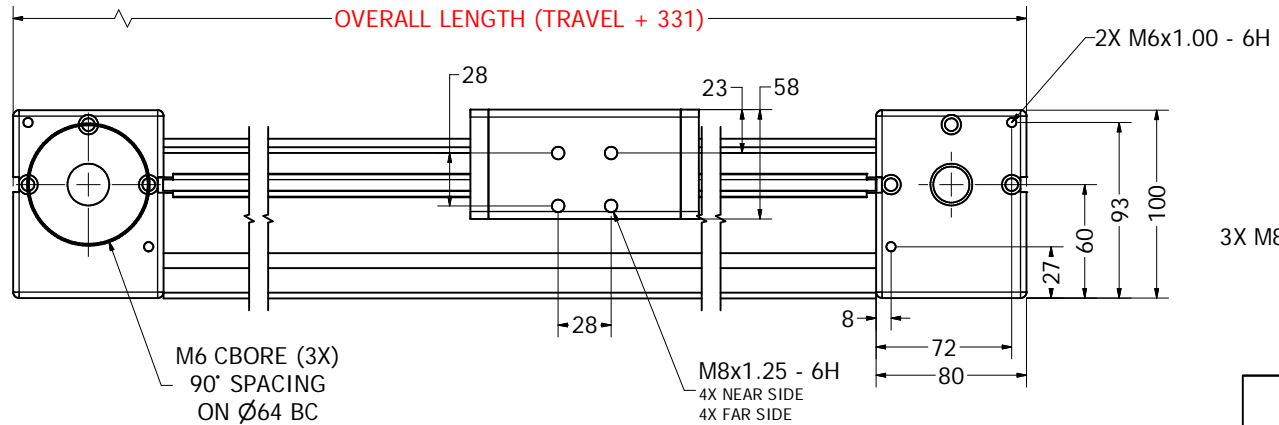
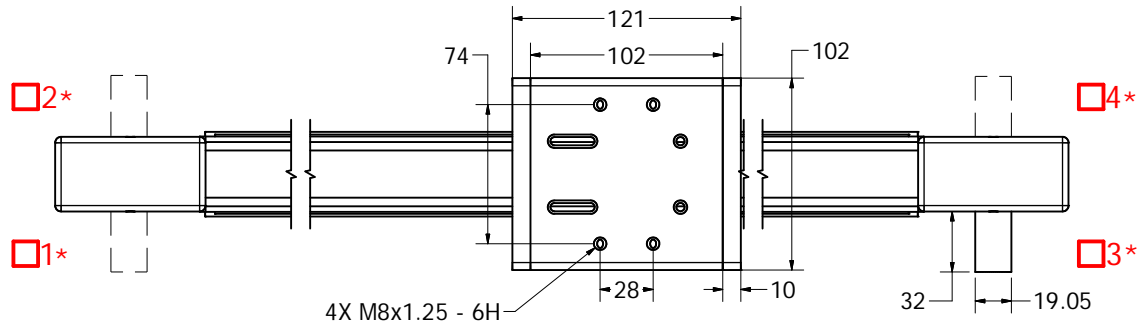
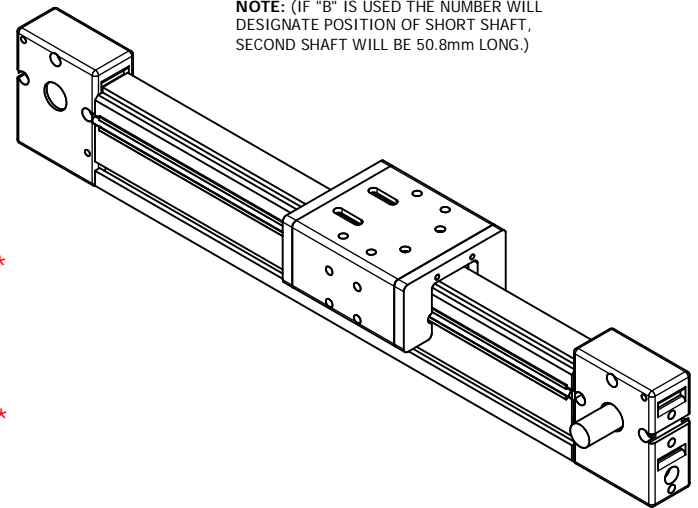
STOCK TRAVEL	OVERALL LENGTH	TRAVEL
	00750	419
	01000	669
	01250	919
	01500	1169
	01750	1419
	02000	1669
	02250	1919
	CUSTOM TRAVEL	

ENTER OVERALL LENGTH [mm]

SELECT DRIVE SHAFT LOCATION *

SPECIFY TYPE
 A = SINGLE SHAFTED
 B = DOUBLE SHAFTED

NOTE: (IF "B" IS USED THE NUMBER WILL DESIGNATE POSITION OF SHORT SHAFT, SECOND SHAFT WILL BE 50.8mm LONG.)



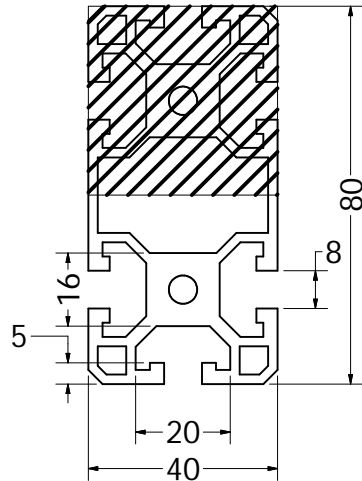
APPROVED: _____
 DATE: _____

Sold & Serviced By:

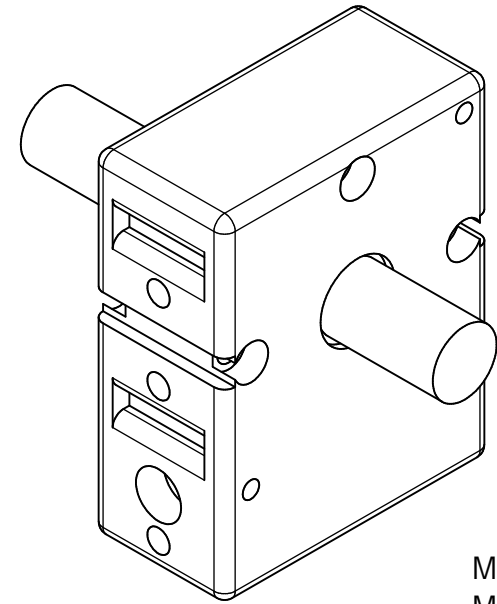
 Toll Free Phone (877) SERV098
 Toll Free Fax (877) SERV099
www.electromate.com
sales@electromate.com

3RD ANGLE PROJECTION THIS DRAWING IS THE PROPERTY OF MACRON DYNAMICS INC. ANY REPRODUCTIONS SHALL BE FOR QUOTATION, MANUFACTURING, OR PURCHASING PURPOSES ONLY. RELEASE OF DRAWINGS TO OTHER CONCERNS DOES NOT CONSTITUTE LICENSING IN ANY WAY. INFORMATION CONTAINED HEREIN IS PROPRIETARY AND CONFIDENTIAL.	 MACRON DYNAMICS, INC.	
	TITLE MACRON 6	
COMPUTER GENERATED DOCUMENT. MANUAL CHANGES NOT PERMITTED	DWG. NO. MSA-M6S	
UNLESS OTHERWISE SPECIFIED ALL DIMENSIONS IN MILLIMETERS	DO NOT SCALE DRAWING	SHEET 1 OF 6 REV 02

ACTUATOR BODY
MOUNTING FEATURES
T-NUT SLOTS

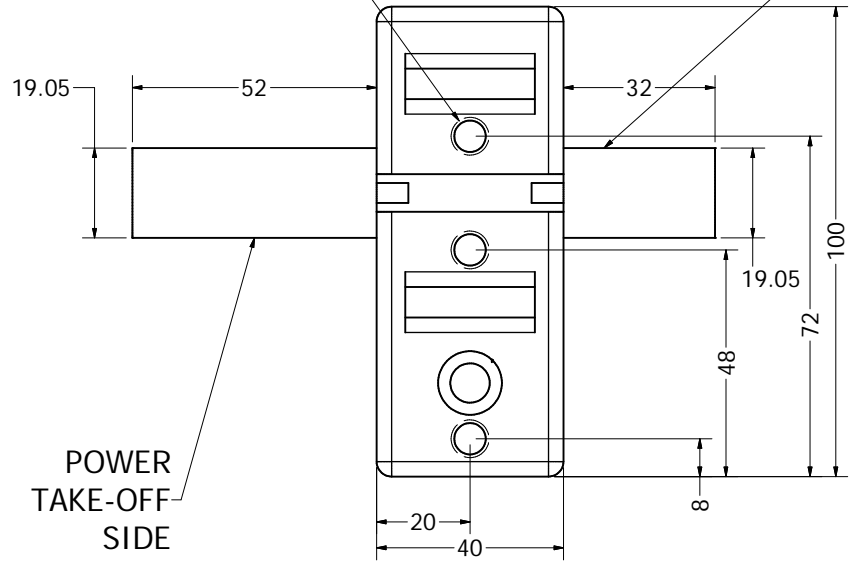


DOUBLE SHAFTED
PULLEY



3X M8x1.25 - 6H

MOTOR
MOUNTING
SIDE



POWER
TAKE-OFF
SIDE

Sold & Serviced By:



Toll Free Phone (877) SERV098
Toll Free Fax (877) SERV099
www.electromate.com
sales@electromate.com

<p>3RD ANGLE PROJECTION</p>		<p>MACRON DYNAMICS, INC.</p>
<p>THIS DRAWING IS THE PROPERTY OF MACRON DYNAMICS, INC. ANY REPRODUCTIONS SHALL BE FOR QUOTATION, MANUFACTURING, OR PURCHASING PURPOSES ONLY. RELEASE OF DRAWINGS TO OTHER CONCERNS DOES NOT CONSTITUTE LICENSING IN ANY WAY. INFORMATION CONTAINED HEREIN IS PROPRIETARY AND CONFIDENTIAL.</p>		
<p>COMPUTER GENERATED DOCUMENT. MANUAL CHANGES NOT PERMITTED</p>		<p>TITLE MACRON 6</p>
<p>UNLESS OTHERWISE SPECIFIED ALL DIMENSIONS IN MILLIMETERS</p>		<p>DWG. NO. MSA-M6S</p>
		<p>REV 02</p>
		<p>DO NOT SCALE DRAWING SHEET 2 OF 6</p>