

Note: See page 14 for a complete description of the above part number system.

Sold & Serviced By:

 Toll Free Phone (877) SERV098
 Toll Free Fax (877) SERV099
www.electromate.com
sales@electromate.com

(E) - English Interface	(M) - Metric Interface
(LFT) - Left Facing Thread	(NPL) - Non Preloaded
(LH) - Left Hand	(PL) - Preloaded
(LT) - Low Thrust	(RFT) - Right Facing Thread
(HT) - High Thrust	(RH) - Right Hand

Screw & Nut Specifications

Model Number	Nut Type	Diameter inches (mm)	Lead inches (mm)	Root Diameter inches (mm)	Ball Diameter inches (mm)	Number of Circuits	Static Load lbs (kgf)	Dynamic Load ⁽¹⁾ lbs (kgf)
RS062020 0.625 inch dia. 0.200 inch lead	<i>Non-preloaded Ball (N1/N2)</i>	0.625 (15,87)	0.200 (5,08)	0.503 (12,77)	0.125 (3,17)	1	6,150 (2790)	800 (363)
	<i>Preloaded Ball (N3/N4)</i>						6,070 (2753)	720 (326)
	<i>Non-preloaded Turcite (N5/N6)</i>				800 (362)	100 (45)		
	<i>Preloaded Turcite (N7/N8)</i>				800 (362)	90 (41)		
RS062100 0.625 inch dia. 1.000 inch lead	<i>Non-preloaded Ball (N1/N2)</i>	0.625 (15,87)	1.000 (25,40)	0.505 (12,82)	0.125 (3,17)	2	2,425 (1100)	590 (267)
	<i>Preloaded Ball (N3/N4)</i>						2,390 (1084)	530 (240)
	<i>Non-preloaded Turcite (N5/N6)</i>				800 (362)	100 (45)		
	<i>Preloaded Turcite (N7/N8)</i>				800 (362)	90 (41)		

Other Specifications

Maximum Acceleration Rate	Ball nut: 772 inches/sec ² (19.6 m/sec ²) Turcite nut: 193 inches/sec ² (4.9 m/sec ²)
Maximum Speed	Ball nut: 3000 rpm Turcite nut: 1500 rpm
Screw Material	Right Hand Thread, Case Hardened Rc 58 Steel Rolled Ball Screw
Screw Extensions	303 Woodruff Keyways on Extensions from Support Housings
Screw Maximum Length⁽²⁾	72 inches (1828 mm)
Screw Weight	0.92 lbs/ft (13,7 g/cm)
Support Housings	Steel with Black Oxide Finish, 45° Chamfer x .02 inch (0,50) all Straight Edges
Support Housing Features	Base or Face Mount with Integral Seals
Nut Flanges	Steel with Black Oxide Finish
Nut Flange Features	English or Metric Load Mounting Interface

Footnotes:

- (1) Load based upon 1 million inches (25 Km) of travel life. See page 35 for further travel life ratings.
 (2) Maximum stock length (not the maximum thread length with bearing housings). See page 34 for maximum thread lengths for each configuration.

Screw Specifications

Model Number	Nut Type	Screw Efficiency %	Lead Error inch/ft (mm/300 mm)	Backlash inches (mm)	Unidirectional Repeatability inches (mm)	Bidirectional Repeatability inches (mm)
RS062020 0.625 inch dia. 0.200 inch lead	<i>Non-preloaded</i> Ball (N1/N2)	90	< 0.003 (0,075)	< 0.008 (0,203)	+/- 0.0002 (0,0050)	+ 0.0002 to - 0.0082 (0,0050) (0,2082)
	<i>Preloaded</i> Ball (N3/N4)					+ 0.0002 to - 0.0002 (0,0050) (0,0050)
	<i>Non-preloaded</i> Turcite (N5/N6)	60	< 0.003 (0,075)	< 0.008 (0,203)	+/- 0.0002 (0,0050)	+ 0.0002 to - 0.0082 (0,0050) (0,2082)
	<i>Preloaded</i> Turcite (N7/N8)					+ 0.0002 to - 0.0002 (0,0050) (0,0050)
RS062100 0.625 inch dia. 1.000 inch lead	<i>Non-preloaded</i> Ball (N1/N2)	90	< 0.004 (0,099)	< 0.008 (0,203)	+/- 0.0002 (0,0050)	+ 0.0002 to - 0.0082 (0,0050) (0,2082)
	<i>Preloaded</i> Ball (N3/N4)					+ 0.0002 to - 0.0002 (0,0050) (0,0050)
	<i>Non-preloaded</i> Turcite (N5/N6)	60	< 0.004 (0,099)	< 0.008 (0,203)	+/- 0.0002 (0,0050)	+ 0.0002 to - 0.0082 (0,0050) (0,2082)
	<i>Preloaded</i> Turcite (N7/N8)					+ 0.0002 to - 0.0002 (0,0050) (0,0050)

Assembly Specifications

Model Number	Nut Type	Breakaway Torque oz-in (N-m)				
		Simple-Simple	Fixed(LT)-Simple	Fixed(HT)-Simple	Rigid-Simple	Rigid-Rigid
RS062020 0.625 inch dia. 0.200 inch lead	<i>Non-preloaded</i> Ball (N1/N2)	< 8 (0,06)	< 10 (0,07)	< 20 (0,14)	< 20 (0,14)	< 30 (0,21)
	<i>Preloaded</i> Ball (N3/N4)	< 15 (0,11)	< 20 (0,14)	< 30 (0,21)	< 30 (0,21)	< 40 (0,28)
	<i>Non-preloaded</i> Turcite (N5/N6)	< 10 (0,07)	< 15 (0,11)	< 30 (0,21)	< 30 (0,21)	< 40 (0,28)
	<i>Preloaded</i> Turcite (N7/N8)	< 25 (0,18)	< 30 (0,21)	< 45 (0,32)	< 45 (0,32)	< 55 (0,39)
RS062100 0.625 inch dia. 1.000 inch lead	<i>Non-preloaded</i> Ball (N1/N2)	< 15 (0,11)	< 25 (0,18)	< 40 (0,28)	< 40 (0,28)	< 50 (0,35)
	<i>Preloaded</i> Ball (N3/N4)	< 30 (0,21)	< 40 (0,28)	< 55 (0,39)	< 55 (0,39)	< 65 (0,45)
	<i>Non-preloaded</i> Turcite (N5/N6)	< 25 (0,18)	< 35 (0,25)	< 50 (0,35)	< 50 (0,35)	< 60 (0,42)
	<i>Preloaded</i> Turcite (N7/N8)	< 50 (0,35)	< 60 (0,42)	< 75 (0,53)	< 75 (0,53)	< 85 (0,60)

Sold & Serviced By:

 **ELECTROMATE**

Toll Free Phone (877) SERV098

Toll Free Fax (877) SERV099

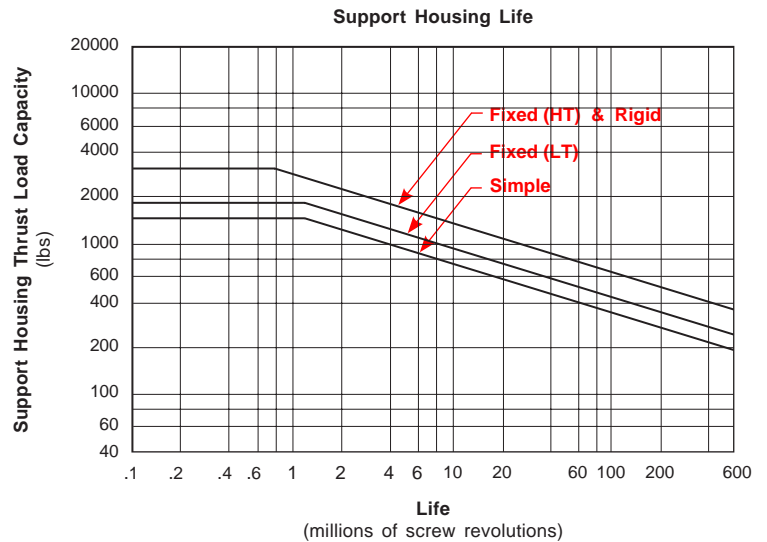
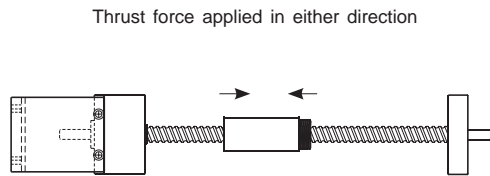
www.electromate.com

sales@electromate.com

Specifications Subject to Change Without Notice

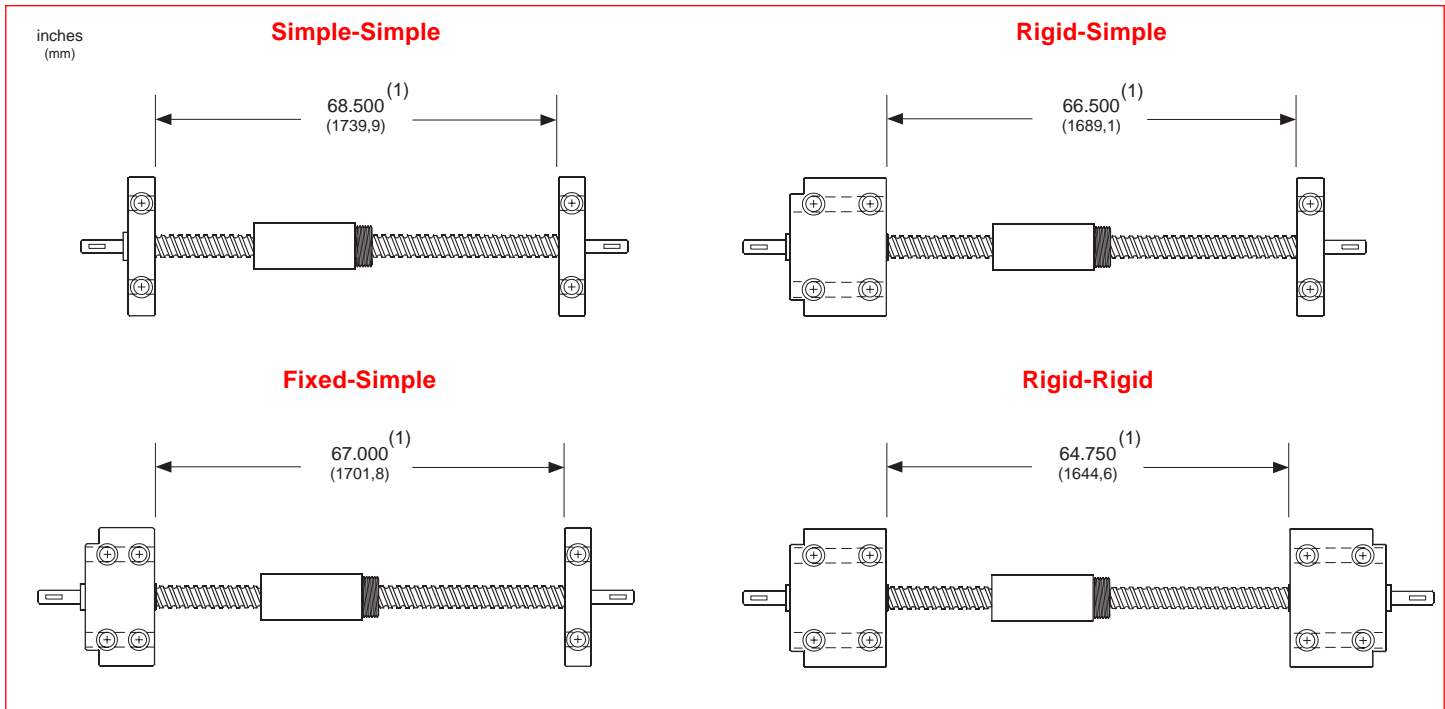
Support Housing Specifications

Support Housing Life millions of screw revolutions	Support Housing Thrust Load Capacity - (Axial)			
	Simple	Fixed (LT)	Fixed (HT)	Rigid
Static	1,370 (621)	1,725 (782)	3,105 (1408)	3,105 (1408)
1	1,370 (621)	1,725 (782)	2,875 (1304)	2,875 (1304)
2	1,215 (551)	1,530 (694)	2,195 (996)	2,195 (996)
10	710 (322)	895 (406)	1,295 (587)	1,295 (587)
50	410 (186)	525 (238)	790 (358)	790 (358)
100	330 (150)	415 (188)	630 (286)	630 (286)
500	195 (88)	240 (109)	365 (166)	365 (166)

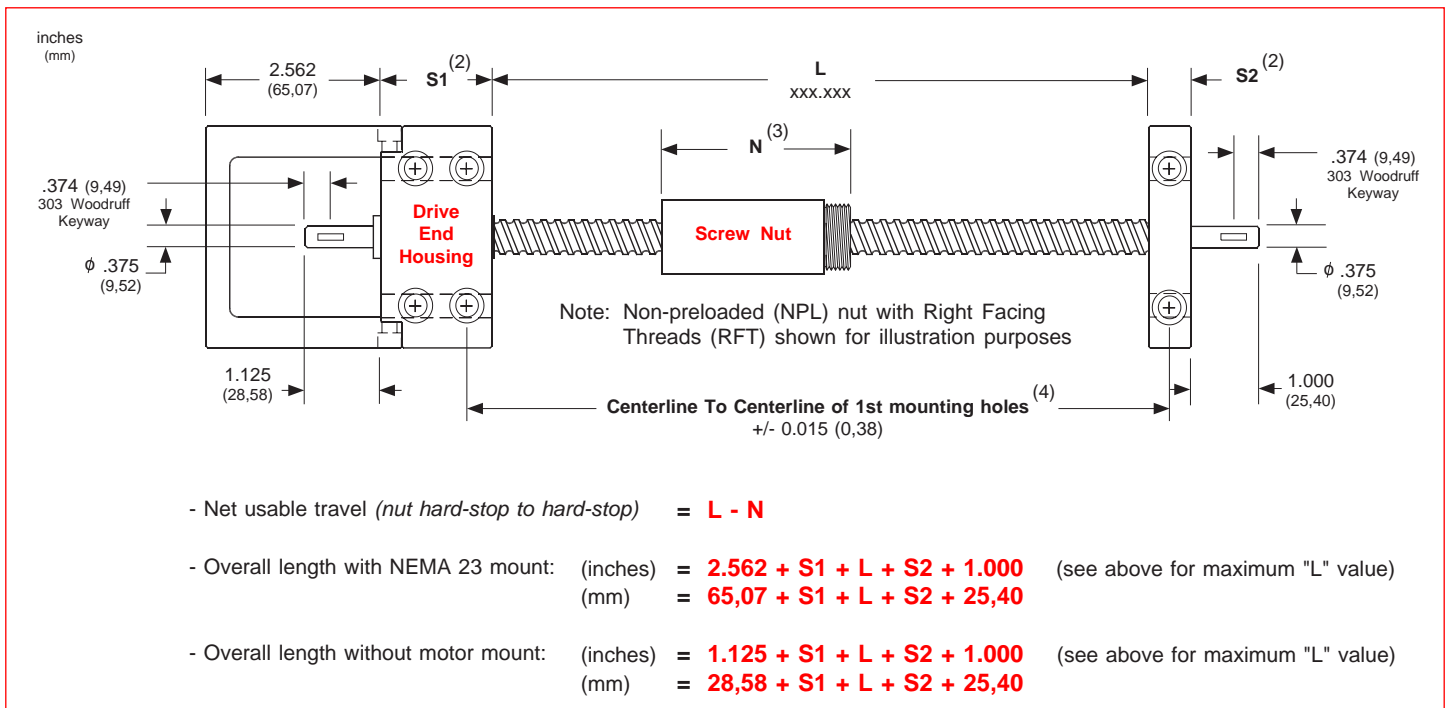


Note: Multiply screw revolutions by the screw lead in order to convert to inches (or mm) traveled by the nut.

Available Configurations



Overall Length Diagram

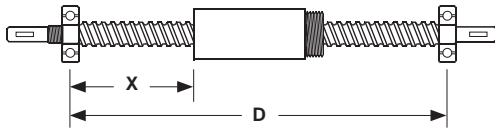


Footnotes:

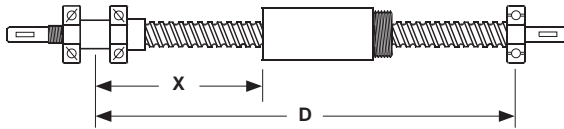
- (1) Maximum available standard screw thread length for the bearing support housing configuration shown.
- (2) Fixed-simple support configuration shown for reference. See page 37 for length values for simple, fixed, and rigid housings.
- (3) See page 36 for available nut styles. Refer to A1 & A2 values for the nut length. See page 96 for wiper kit lengths.
- (4) Tolerance shown is for base mounted support housings. Tolerance also applies to face mounted support housings.

Performance Charts

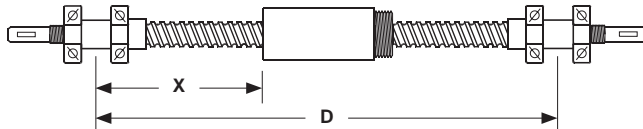
Simple-Simple



Rigid-Simple

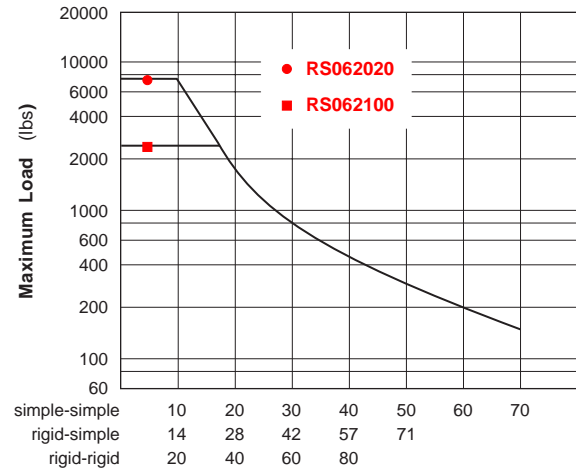


Rigid-Rigid



Maximum Compression Load ⁽¹⁾

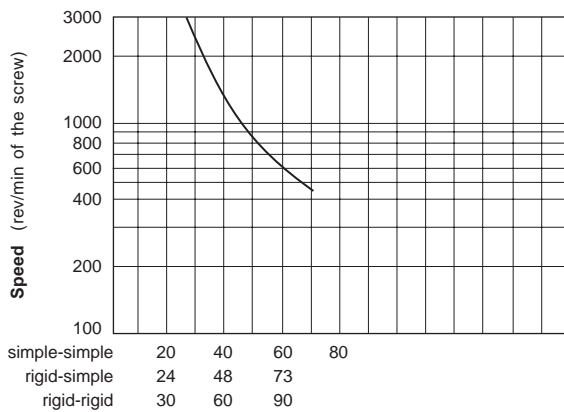
X inches (mm)	simple-simple		rigid-simple		rigid-rigid	
	lbs	(kgf)	lbs	(kgf)	lbs	(kgf)
20 (508)	1799	(816)	2425	(1100)	2425	(1100)
40 (1016)	450	(204)	900	(408)	1800	(816)
60 (1524)	200	(91)	400	(181)	800	(363)



Maximum "X" distance between bearing support and Load (inches)

Maximum Speed ⁽¹⁾

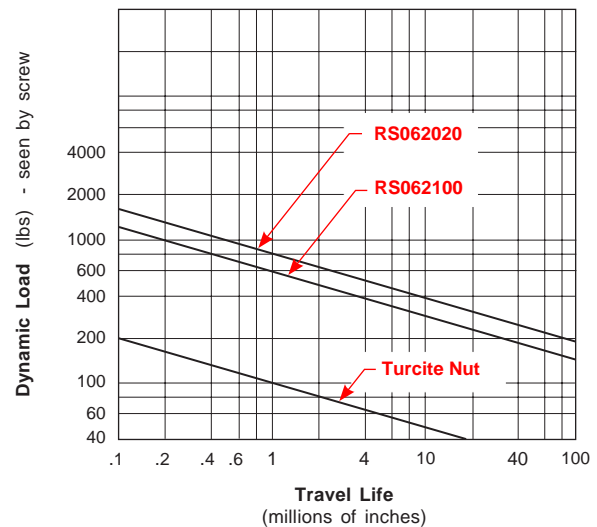
D inches (mm)	simple-simple		rigid-simple		rigid-rigid	
	rpm	rpm	rpm	rpm	rpm	rpm
27 (686)	2940	3000	3000	3000	3000	3000
40 (1016)	1340	1970	1970	1970	2990	2990
60 (1524)	595	870	870	870	1325	1325
70 (1778)	435	640	640	640	970	970



Maximum "D" distance between bearing supports (inches)

Screw Travel Life ⁽²⁾

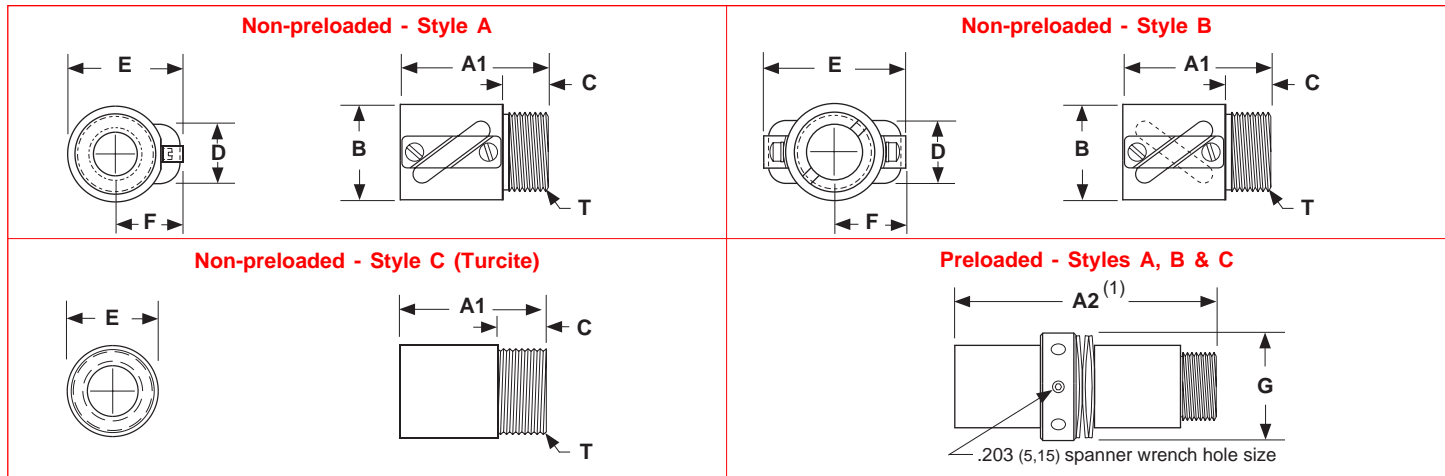
Life millions of inches (km)	062020		062100		Turcite Nut	
	lbs	(kgf)	lbs	(kgf)	lbs	(kgf)
1 (25)	800	(363)	590	(268)	100	(45)
2 (50)	640	(290)	480	(218)	80	(36)
50 (1270)	230	(104)	170	(77)	29	(13)
100 (2540)	190	(86)	140	(64)	24	(11)



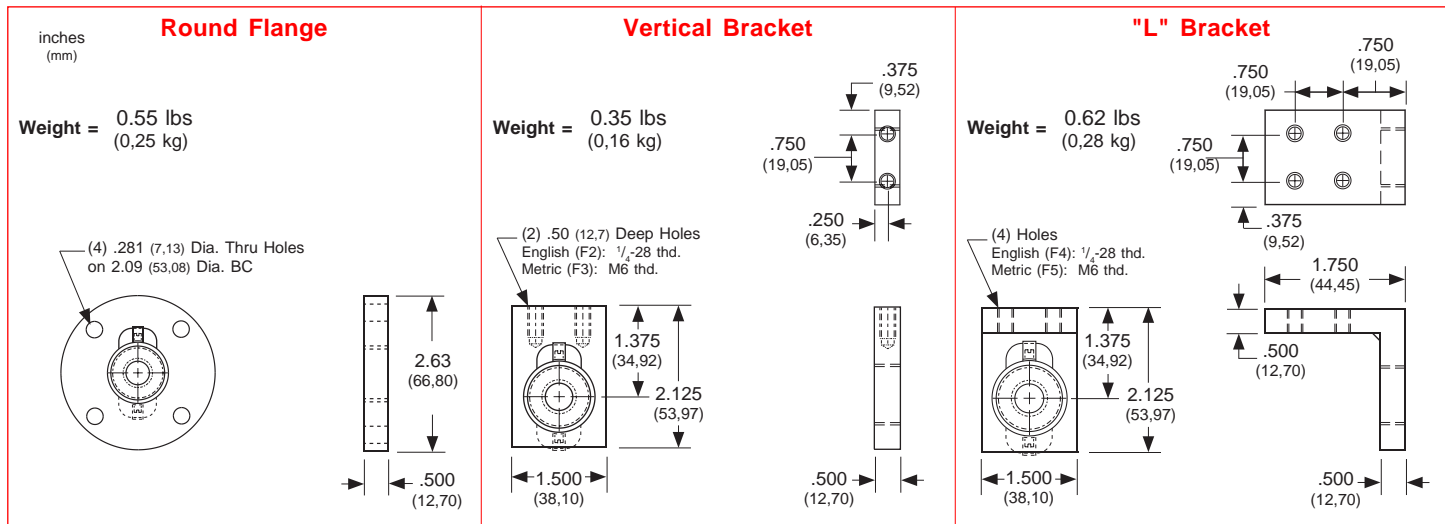
Footnotes:

- (1) Refer to the simple-simple support lengths for fixed-simple configurations. A fixed housing performs like a simple housing for critical speed and compression load specifications. Maximum speeds may not be reached using a Turcite nut due to system friction.
- (2) Multiply life value from chart (or graph) by 0.90 to obtain the life for a preloaded ball nut.

Nut Dimensions



Nut Flange Dimensions



Model Number	Nut Style	Nut Dimensions									Nut Weight ⁽³⁾
		inches (mm)									
		A1	A2 ⁽¹⁾	B	C	D	E	F	T - "V" Threads ⁽²⁾	G	lbs (kg)
RS062020	A	1.720 (43,69)	3.750 (95,25)	1.130 (28,70)	0.505 (12,83)	0.787 (19,99)	1.360 (34,54)	0.800 (20,32)	15/16 - 16 UN-2A (23,81 - 16 UN-2A)	1.420 (36,07)	0.50 (0,22)
RS062100	B	1.720 (43,69)	3.750 (95,25)	1.125 (28,57)	0.500 (12,70)	0.760 (19,30)	1.654 (42,01)	0.827 (21,00)	15/16 - 16 UN-2A (23,81 - 16 UN-2A)	1.420 (36,07)	0.28 (0,13)
RS062020	C	1.130 (28,70)	2.850 (72,39)	n/a	0.505 (12,83)	n/a	1.000 (25,40)	n/a	15/16 - 16 UN-2A (23,81 - 16 UN-2A)	n/a	0.20 (0,09)
RS062100	C	1.130 (28,70)	2.850 (72,39)	n/a	0.500 (12,70)	n/a	1.000 (25,40)	n/a	15/16 - 16 UN-2A (23,81 - 16 UN-2A)	n/a	0.20 (0,09)

Footnotes:

- (1) This is the length for a preloaded nut. Preloaded nut consists of two (2) non-preloaded nuts with a locking spanner nut, and belville springs.
- (2) All flange threads are internal (Type 2B) to match the external nut threads.
- (3) Weight of the non-preloaded nut. Multiply value by 2.1 to obtain the weight for the preloaded nut assembly.

Support Housing Dimensions

<p>inches (mm)</p> <p>.625 (15,87)</p> <p>2.000 (50,80)</p> <p>(4) .343 (8,71) Dia.Thru Holes</p> <p>(4) 8-32 x .37 (9,39) Deep on 1.750 (44,45) BC</p> <p>2.500 (63,50)</p> <p>1.750 (44,45)</p> <p>1.250 (31,75)</p> <p>.375 (9,52)</p> <p>1.625 (41,27)</p> <p>3.250 (82,55)</p>	<p>Simple</p> <p>Weight = 1.1 lbs (0,50 kg)</p>	<p>.313 (7,95)</p> <p>(2) .343 (8,71) Dia. Thru Holes, .504 (12,8) Dia. C' Bored x .57 (14,47) Deep</p> <p>.313 (7,95)</p> <p>.625 (15,87)</p> <p>Drive End</p> <p>non-Drive End</p>
<p>.625 (15,87)</p> <p>2.000 (50,80)</p> <p>(4) .343 (8,71) Dia.Thru Holes</p> <p>(4) 8-32 x .37 (9,39) Deep on 1.750 (44,45) BC</p> <p>2.500 (63,50)</p> <p>1.750 (44,45)</p> <p>1.250 (31,75)</p> <p>.375 (9,52)</p> <p>1.625 (41,27)</p> <p>3.250 (82,55)</p> <p>.250 (6,35)</p>	<p>Fixed</p> <p>Weight = 2.7 lbs (1,22 kg)</p>	<p>.750 (19,05)</p> <p>.500 (12,70)</p> <p>(4) .343 (8,71) Dia. Thru Holes, .504 (12,8) Dia. C' Bored x .57 (14,47) Deep</p> <p>1.125 (28,57)</p> <p>(2) 10-32 x .43 (10,92) Deep, both sides</p> <p>.688 (17,47)</p> <p>.125 (3,17)</p> <p>1.750 (44,45)</p>
<p>.625 (15,87)</p> <p>2.000 (50,80)</p> <p>(4) .343 (8,71) Dia.Thru Holes</p> <p>(4) 8-32 x .37 (9,39) Deep on 1.750 (44,45) BC</p> <p>2.500 (63,50)</p> <p>1.750 (44,45)</p> <p>1.250 (31,75)</p> <p>.375 (9,52)</p> <p>1.625 (41,27)</p> <p>3.250 (82,55)</p> <p>.250 (6,35)</p>	<p>Rigid</p> <p>Weight = 3.9 lbs (1,77 kg)</p>	<p>(4) .343 (8,71) Dia. Thru Holes, .504 (12,8) Dia. C' Bored x .57 (14,47) Deep</p> <p>1.500 (38,10)</p> <p>.500 (12,70)</p> <p>1.125 (28,57)</p> <p>(2) 10-32 x .43 (10,92) Deep, both sides</p> <p>.688 (17,47)</p> <p>.125 (3,17)</p> <p>2.500 (63,50)</p>
<p>NEMA 23 Motor Mount</p> <p>Weight = 0.9 lbs (0,41 kg)</p> <p>(4) Holes on 2.625 (66,67) BC Dia. English (M02): #10-24 thd. Metric (M03): M5 thd.</p> <p>1.502 (38,15) Pilot Dia. TYP</p> <p>2.562 (65,07)</p> <p>.313 (7,95)</p> <p>1.437 (36,50)</p> <p>2.250 (57,15)</p> <p>1.125 (28,57)</p> <p>(2) .221 (5,61) Dia.Thru Holes, .344 (8,73) Dia. C' Bored x .125 (3,17) Deep, both sides</p>	<p>NEMA 34 Motor Mount</p> <p>Weight = 1.4 lbs (0,64 kg)</p> <p>(4) Holes on 3.875 (98,42) BC Dia. English (M04): #10-24 thd. Metric (M05): M5 thd.</p> <p>2.877 (73,07) Pilot Dia. TYP</p> <p>.500 (12,70)</p> <p>2.562 (65,07)</p> <p>.313 (7,95)</p> <p>1.937 (49,20)</p> <p>3.375 (85,72)</p> <p>1.688 (42,88)</p> <p>.438 (11,13)</p> <p>(2) .221 (5,61) Dia.Thru Holes, .344 (8,73) Dia. C' Bored x .125 (3,17) Deep, both sides</p>	