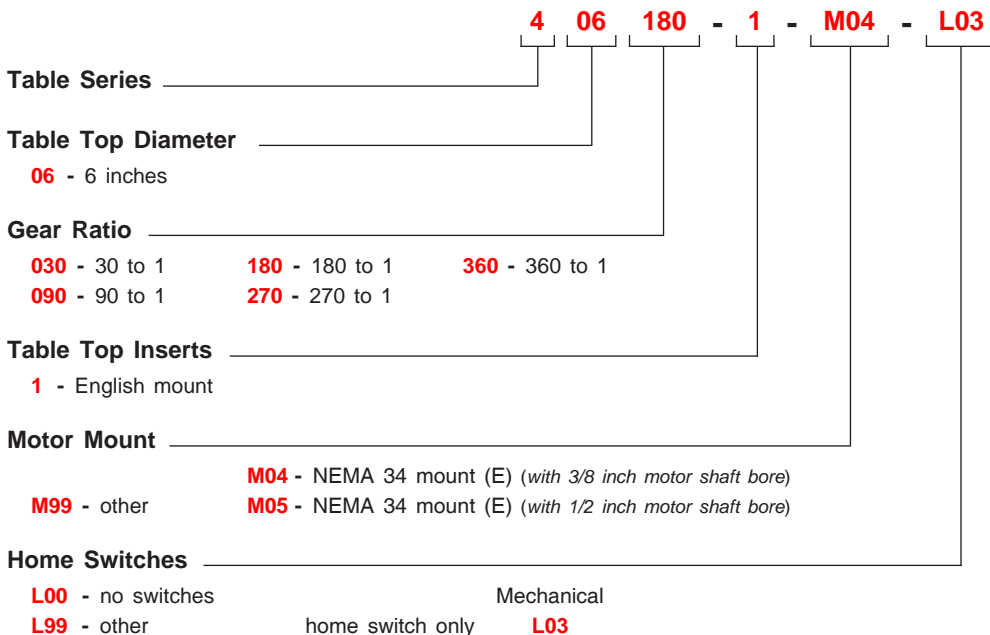


(E) - English Interface  
(M) - Metric Interface



Sold & Serviced By:  
  
Toll Free Phone (877) SERV098  
Toll Free Fax (877) SERV099  
[www.electromate.com](http://www.electromate.com)  
[sales@electromate.com](mailto:sales@electromate.com)

(E) - English Interface

## Specifications

Load Capacities	300 series <sup>(1)</sup>	400 series <sup>(1)</sup>
<b>Dynamic Horizontal</b> (1 million revs)	225 lbs ( 102 kg)	1000 lbs ( 453 kg)
<b>Dynamic Inverted</b> (1 million revs)	100 lbs ( 45 kg)	1000 lbs ( 453 kg)
<b>Static Horizontal</b>	250 lbs ( 113 kg)	1000 lbs ( 453 kg)
<b>Dynamic Moment</b> (1 million revs)	20 ft-lbs ( 27 N-m)	225 ft-lbs ( 305 N-m)
<b>Static Moment</b>	25 ft-lbs ( 34 N-m)	250 ft-lbs ( 339 N-m)
<b>Maximum Input Speed</b>	30 rev/sec	9 rev/sec
<b>Maximum Input Acceleration</b>	75 rev/sec <sup>2</sup>	50 rev/sec <sup>2</sup>
<b>Maximum Input Torque</b>	125 oz-in (0,88 N-m)	1,000 oz-in (7,06 N-m)

Other	300 series	400 series
<b>Table Material</b>	Base & Table Top - 6061 black anodized aluminum	
<b>Worm Wheel Type</b>	Bronze (AGMA - class 10)	
<b>Worm Gear Type</b>	Steel (AGMA - class 10)	
<b>Duty Cycle</b>	60 %	
(gear ratio)	45:1      90:1      180:1	30:1    90:1    180:1    270:1    360:1
<b>Maximum Table Top Speed</b>	40 rpm      20 rpm      10 rpm	18 rpm    6 rpm    3 rpm    2 rpm    1.5 rpm
<b>Worm Gear Efficiency</b>	50 %      60 %      70 %	50 %    60 %    60 %    60 %    60 %
<b>Worm Gear Inertia</b> (oz-in <sup>2</sup> )	11.5      11.5      11.5	38.6    38.6    50.2    61.7    73.3
<b>Accuracy</b>	< 150 arc-sec	
<b>Unidirectional Repeatability</b>	< 10 arc-sec	
<b>Bidirectional Repeatability</b>	< 40 arc-sec	
<b>Backlash</b>	< 30 arc-sec	
<b>Runout (vertical runout)</b>	Standard < 0.003 in (0,076 mm) <sup>(2)</sup> Precision < 0.001 in (0,025 mm) <sup>(2)</sup>	< 0.002 in (0,05 mm) <sup>(3)</sup>
<b>Concentricity (radial runout)</b>	Standard < 0.003 in (0,076 mm) <sup>(4)</sup> Precision < 0.001 in (0,025 mm) <sup>(4)</sup>	< 0.002 in (0,05 mm) <sup>(5)</sup>
<b>Wobble (axis runout)</b>	Standard < 80 arc-sec <sup>(6)</sup> Precision < 40 arc-sec <sup>(6)</sup>	< 60 arc-sec <sup>(6)</sup>
<b>Breakaway Torque</b>	< 20 oz-in (0,141 N-m)	
	< 60 oz-in (0,424 N-m)	

### Footnotes:

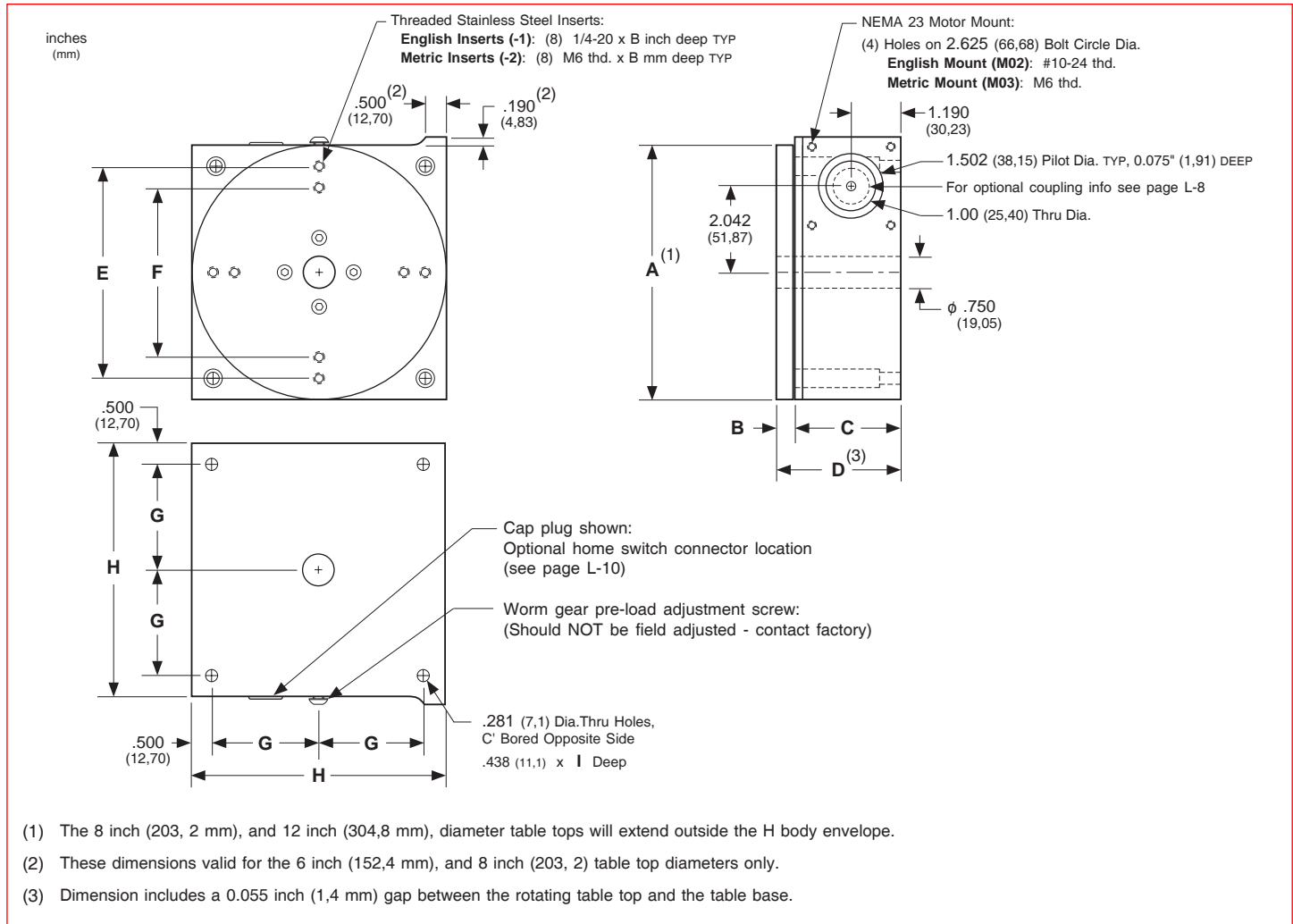
- (1) Dynamic load capacities & life are limited by the stresses exerted upon the worm gear assembly.
- (2) Measured at 6 inches (152,4 mm) from table top center. Total indicator runout.
- (3) Measured at 5.5 inches (139,7 mm) from table top center. Total indicator runout.
- (4) Measured at 0.75 inches (19,1 mm) from table top center. Total indicator runout.
- (5) Measured at 4.5 inches (114,3 mm) from table top center. Total indicator runout.
- (6) Based on the centerline of the table top.

## Dimensions & Specifications

Model Number	Table Dimensions inches (mm)				Mounting Dimensions inches (mm)					Table Top Weight	Table Weight
	A	B	C	D	E	F	G	H	I	lbs (kg)	lbs (kg)
<b>306xxx-1-S</b>	6.000 (152,4)	0.375 (9,5)	2.500 (63,5)	2.930 (74,4)	5.000 (127,0)	4.000 (101,6)	2.500 (63,5)	6.000 (152,4)	2.000 (50,8)	1.1 (0,5)	11.0 (5,0)
<b>308xxx-1-S</b>	8.000 (203,2)	0.500 (12,7)	2.500 (63,5)	3.055 (77,6)	6.000 (152,4)	4.000 (101,6)	2.500 (63,5)	6.000 (152,4)	2.000 (50,8)	2.5 (1,2)	12.0 (5,4)
<b>310xxx-1-S</b>	10.000 (254,0)	0.750 (19,0)	2.650 (67,3)	3.455 (87,8)	8.000 (203,2)	6.000 (152,4)	4.500 (114,3)	10.000 (254,0)	0.250 (6,3)	5.7 (2,6)	33.0 (15,0)
<b>312xxx-1-S</b>	12.000 (304,8)	0.750 (19,0)	2.650 (67,3)	3.455 (87,8)	10.000 (254,0)	8.000 (203,2)	4.500 (114,3)	10.000 (254,0)	0.250 (6,3)	7.2 (3,3)	36.0 (16,3)

- xxx = 045; 45 to 1 gear ratio
- xxx = 090; 90 to 1 gear ratio
- xxx = 180; 180 to 1 gear ratio

## Dimensions



### Dimensions & Specifications

Model Number	Table Top Diameter	Table Top Weight	Table Weight
	inches (mm)	lbs (kg)	lbs (kg)
<b>406xxx-1</b>	5.480 (139,2)	3.0 (1,4)	13.5 (6,2)

- xxx = 030; 30 to 1 gear ratio
- xxx = 090; 90 to 1 gear ratio
- xxx = 180; 180 to 1 gear ratio
- xxx = 270; 270 to 1 gear ratio
- xxx = 360; 360 to 1 gear ratio

### Dimensions

