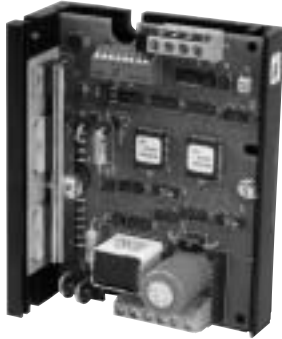


# 6210/6215 MICROSTEPPING DRIVES



## DRIVE SPECIFICATIONS

	6210	6215
Step Sizes	1/2, 1/10, 1/25, 1/100	1/2, 1/10, 1/25, 1/100
Input Voltage	24-40 VDC	24-40 VDC
Output Current	1 to 3.5 amps, Peak	1 to 3.5 amps, Peak
Interface		
Inputs	Step and Direction	±10 VDC, Step/Dir, Discrete Input
Outputs	n/a	n/a
Connectors	Screw Terminal	Two-Speed Terminal
Package Size	39.62 x 104.90 x 82.55 mm	39.62 x 104.90 x 82.55 mm
W (w/heat sinks)xHxD	(1.56 x 4.13 x 3.25 in)	(1.56 x 4.13 x 3.25 in)

## PACIFIC SCIENTIFIC 6200 MICROSTEPPING DRIVES ARE...

**Modular, Functional and Flexible**

### Modular

The Pacific Scientific 6000 series high performance microstepper drives are modular to support a broad range of requirements. The modular design assures that you maximize your value. Offered in two power levels, the 6200 microsteppers are ideally suited for single or multi-axis applications where space is at a premium.

### Functional & Flexible

Each series is design to be mounted in either a bookshelf or cold plate configuration. This flexibility allows the user to optimize the available space in your panel. Microstep resolution is selected via DIP switches. Microstepping assures smooth low speed operation and optimum system resolution. The 6200 resolutions are adjustable up to 20,000 and 51200 steps per revolution respectively.

Current ranges are DIP switch selectable as well. Idle current reduction is also offered. This provides the ability to reduce motor heating when at idle. It also conserves system energy typically useful when operating with battery back systems. The 6200 drives require a 24-40 VDC input power source.

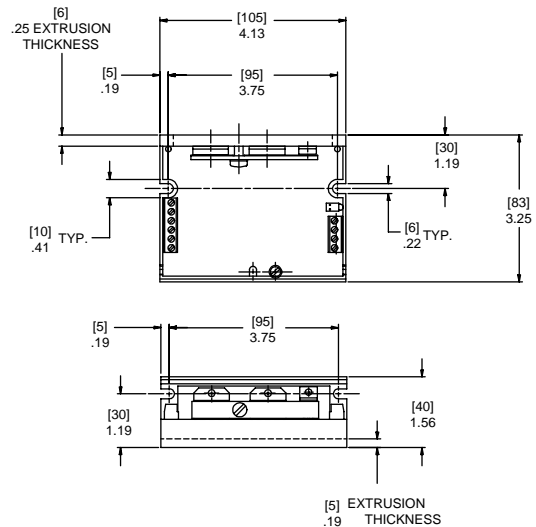
Both packages are available with two standard options: The 6210 accepts step and direction inputs from a remote indexing sources. The 6215 include an on-board Oscillator card. These units include 4 built-in potentiometers to adjust acceleration, deceleration low speed and run speed settings. Or you can apply an external voltage source and use the pre-configured input to start and stop the motion.

## AGENCY APPROVAL

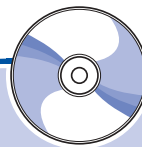
cUL, CE

## 6210/6215

[mm] in



SEE SYSTEM RECOMMENDATIONS AND DATA ON PAGES 86-91.



## MOTIONEERING® CD-ROM

For more detailed product and selection information, see the **MOTIONEERING** CD-ROM inside the back cover of this catalog or visit our website at [www.DanaherMotion.com](http://www.DanaherMotion.com).

www.DanaherMotion.com • 815-226-2222