



Table Type/Arm Type Flat Type

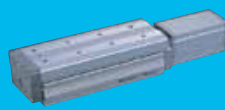
RCP3
RCA2
RCA
RCS2



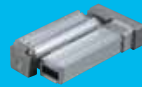
RCP3/RCA2
-TA3C



RCP3/RCA2
-TA5C



RCP3/RCA2
-TA7C



RCP3/RCA2
-TA3R



RCP3/RCA2
-TA5R



RCP3/RCA2
-TA7R



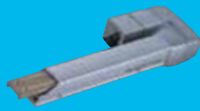
RCA2-TC3N



RCA2-TW3N



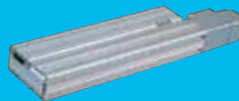
RCA2-TF3N



RCA/RCS2
-A4R



RCA/RCS2
-A6R



RCS2-F5D

267

Table Type/Arm Type/Flat Type

Sold & Serviced By:



Toll Free Phone (877) SERV098

Toll Free Fax (877) SERV099

www.electromate.com

sales@electromate.com

RCP3 series Pulse Motor Type	Table Type	Inline Motor	36mm Width	RCP3-TA3C	269
			40mm Width	RCP3-TA4C	271
			55mm Width	RCP3-TA5C	273
			65mm Width	RCP3-TA6C	275
			75mm Width	RCP3-TA7C	277
	Side-Mounted Motor	36mm Width	RCP3-TA3R	279	
		40mm Width	RCP3-TA4R	281	
		55mm Width	RCP3-TA5R	283	
		65mm Width	RCP3-TA6R	285	
		75mm Width	RCP3-TA7R	287	

RCA2 series 24V Servo Motor Type	Table Type	Short-Length Compact Model	32mm Width	RCA2-TC3N	289
			36mm Width	RCA2-TC4N	291
		Short-Length Wide Model	50mm Width	RCA2-TW3N	293
			58mm Width	RCA2-TW4N	295
		Short-Length Flat Model	61mm Width	RCA2-TF3N	297
			71mm Width	RCA2-TF4N	299
	Inline Motor	40mm Width	RCA2-TA4C	301	
		55mm Width	RCA2-TA5C	303	
		65mm Width	RCA2-TA6C	305	
		75mm Width	RCA2-TA7C	307	
	Side-Mounted Motor	40mm Width	RCA2-TA4R	309	
		55mm Width	RCA2-TA5R	311	
		65mm Width	RCA2-TA6R	313	
		75mm Width	RCA2-TA7R	315	

RCA series 24V Servo Motor Type	Arm Type	40mm Width	RCA-A4R	317
		52mm Width	RCA-A5R	319
		58mm Width	RCA-A6R	321

RCS2 series 200V Servo Motor Type	Arm Type	40mm Width	RCS2-A4R	323
		52mm Width	RCS2-A5R	325
		58mm Width	RCS2-A6R	327
	Flat Type	55mm Width	RCS2-F5D	329

- Slider Type
- Mini
- Standard
- Controllers Integrated
- Rod Type
- Mini
- Standard
- Controllers Integrated
- Table/Arm /Flat Type**
- Mini
- Standard
- Gripper/ Rotary Type
- Linear Servo Type
- Cleanroom Type
- Splash Proof
- Controllers
- PMEC /AMEC
- PSEP /ASEP
- ROBO NET
- ERC2
- PCON
- ACON
- SCON
- PSEL
- ASEL
- SSEL
- XSEL
- Pulse Motor
- Servo Motor (24V)
- Servo Motor (200V)
- Linear Servo Motor

RCP3-TA3C

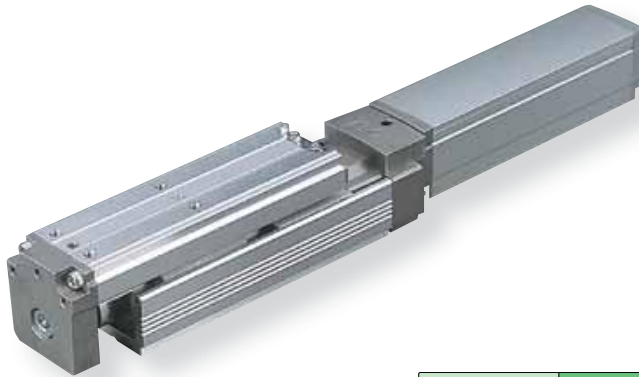
ROBO Cylinder Mini Table Type Motor Unit Coupled 36mm Width Pulse Motor Ball Screw

■ Configuration: **RCP3** — **TA3C** — **I** — **20P** — [] — [] — [] — [] — []

Series — Type — Encoder — Motor — Lead — Stroke — Compatible Controllers — Cable Length — Option

I: Incremental * The simple absolute encoder is also considered type "I".
 20P: Pulse motor 20 □ size
 6: 6mm 4: 4mm 2: 2mm
 20: 20mm (10mm pitch increments)
 100: 100mm (10mm pitch increments)
 P1: PCON RPCON PSEL P3: PMEC PSEP
 N: None P: 1m S: 3m M: 5m
 X □ □ : Custom
 See Options below

* See page Pre-35 for an explanation of the naming convention.

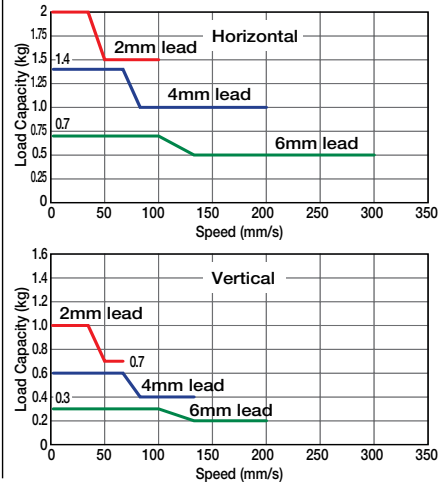


Technical References P. A-5

POINT Notes on Selection

(1) The load capacity is based on operation at an acceleration of 0.3G (0.2G for the 2mm-lead model, or when used vertically). 0.3G (0.2G for 2mm lead) is the upper limit of the acceleration.

■ Speed vs. Load Capacity
 Due to the characteristics of the Pulse motor, the RCP3 series' load capacity decreases at high speeds. In the table below, check if your desired speed and load capacity are supported.



Actuator Specifications

■ Lead and Load Capacity (Note 1) Please note that the maximum load capacity decreases as the speed increases.

Model	Feed Screw	Lead (mm)	Max. Load Capacity (Note 1) Horizontal (kg) Vertical (kg)	Maximum Push Force (N) (Note 2)	Positioning Repeatability (mm)	Stroke (mm)
RCP3-TA3C-I-20P-6-①-②-③-④	Ball Screw	6	~ 0.7 ~ 0.3	9	±0.02	20~100 (10mm increments)
RCP3-TA3C-I-20P-4-①-②-③-④		4	~ 1.4 ~ 0.6	14		
RCP3-TA3C-I-20P-2-①-②-③-④		2	~ 2 ~ 1	28		

Legend ① Stroke ② Compatible controller ③ Cable length ④ Options (Note 2) See page A-66 for pushing force graphs. * The values enclosed in "< >" apply to vertical usage. (Unit: mm/s)

■ Stroke and Maximum Speed

Lead	Stroke	
	20 ~ 100 (mm)	200 ~ 300 (mm)
6	300 <200>	
4	200 <133>	
2	100 <67>	

① Stroke List

Stroke (mm)	Standard Price
20	-
30	-
40	-
50	-
60	-
70	-
80	-
90	-
100	-

③ Cable List

Type	Cable Symbol	Standard Price
Standard (Robot Cables)	P (1m)	-
	S (3m)	-
	M (5m)	-
Special Lengths	X06 (6m) ~ X10 (10m)	-
	X11 (11m) ~ X15 (15m)	-
	X16 (16m) ~ X20 (20m)	-

* The RCP3 comes standard with a robot cable.
 * See page A-39 for cables for maintenance.

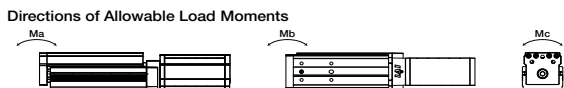
④ Option List

Name	Option Code	See Page	Standard Price
Brake	B	→ A-25	-
Reversed-home	NM	→ A-33	-

Actuator Specifications

Item	Description
Drive System	Ball screw ø6mm C10 grade
Lost Motion	0.1mm or less
Base	Material: Aluminum (white alumite treated)
Allowable Dynamic Moment (Note 3)	Ma: 3.2 N-m Mb: 4.6 N-m Mc: 5.1 N-m
Ambient Operating Temp./Humidity	0~40°C, 85% RH or less (non-condensing)

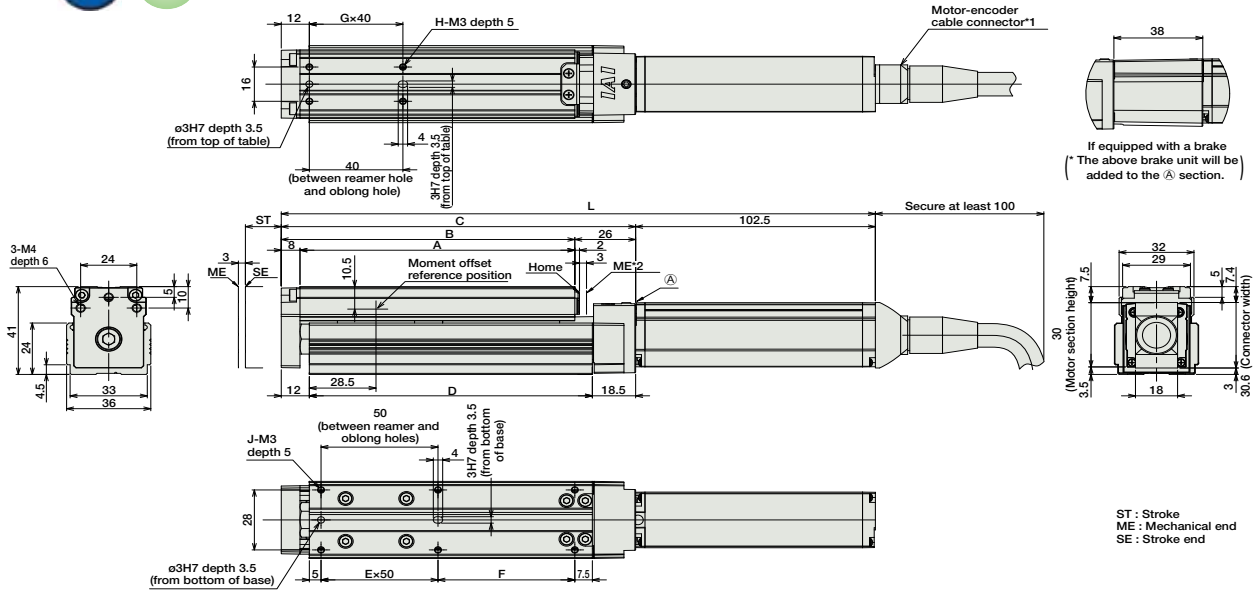
(Note 3) Based on a 5,000km service life.



269 RCP3-TA3C

Dimensions

For Special Orders P. A-9



- *1 The motor-encoder cable is connected directly to the motor cover of the actuator. See page A-39 for details on cables.
- *2 When homing, the slider moves to the mechanical end; therefore, please watch for any interference with the surrounding objects.

■ Dimensions/Weight by Stroke

* Adding a brake will increase the actuator's weight by 0.1kg.

Stroke	20	30	40	50	60	70	80	90	100	
L	No Brake	224	234	244	254	264	274	284	294	304
	Brake-equipped	262	272	282	292	302	312	322	332	342
A	87.5	97.5	107.5	117.5	127.5	137.5	147.5	157.5	167.5	
B	95.5	105.5	115.5	125.5	135.5	145.5	155.5	165.5	175.5	
C	121.5	131.5	141.5	151.5	161.5	171.5	181.5	191.5	201.5	
D	91	101	111	121	131	141	151	161	171	
E	1	1	1	1	2	2	2	2	2	
F	28.5	38.5	48.5	58.5	68.5	78.5	88.5	98.5	108.5	
G	1	1	1	1	2	2	2	2	2	
H	4	4	4	4	6	6	6	6	6	
J	6	6	6	6	8	8	8	8	8	
Weight (kg)	0.5	0.5	0.5	0.6	0.6	0.6	0.6	0.7	0.7	

② Compatible Controllers

The RCP3 series actuators can operate with the controllers below. Select the controller according to your usage.

Name	External View	Model	Description	Max. Positioning Points	Input Voltage	Power Supply Capacity	Standard Price	See Page
Solenoid Valve Type		PMEC-C-20PI-NP-2-0 ^①	Easy-to-use controller, even for beginners	3 points	AC100V AC200V	See P481	-	→ P477
		PSEP-C-20PI-NP-2-0	Operable with same signal as solenoid valve. Supports both single and double solenoid types. No homing necessary with simple absolute type.					
Splash-Proof Solenoid Valve Type		PSEP-CW-20PI-NP-2-0						→ P487
Positioner Type		PCON-C-20PI-NP-2-0	Positioning is possible for up to 512 points	512 points	DC24V	2A max.	-	→ P525
Safety-Compliant Positioner Type		PCON-CG-20PI-NP-2-0						
Pulse Train Input Type (Differential Line Driver)		PCON-PL-20PI-NP-2-0	Pulse train input type with differential line driver support	(-)	DC24V	2A max.	-	→ P525
Pulse Train Input Type (Open Collector)		PCON-PO-20PI-NP-2-0	Pulse train input type with open collector support					
Serial Communication Type		PCON-SE-20PI-N-0-0	Dedicated to serial communication	64 points				
Field Network Type		RPCON-20P	Dedicated to field network	768 points				→ P503
Program Control Type		PSEL-C-1-20PI-NP-2-0	Programmed operation is possible. Operation is possible on up to 2 axes	1500 points				→ P557

* This is for the single-axis PSEL.
* ① is a placeholder for the power supply voltage (1: 100V, 2: 100~240V).



RCP3-TA3C **270**

- Slider Type
- Mini
- Standard
- Controllers Integrated
- Rod Type
- Mini
- Standard
- Controllers Integrated
- Table/Arm /Flat Type
- Mini
- Standard
- Gripper/ Rotary Type
- Linear Servo Type
- Cleanroom Type
- Splash Proof
- Controllers
- PMEC /AMEC
- PSEP /ASEP
- ROBO NET
- ERC2
- PCON
- ACON
- SCON
- PSEL
- ASEL
- SSEL
- XSEL
- Pulse Motor
- Servo Motor (24V)
- Servo Motor (200V)
- Linear Servo Motor

RCP3-TA4C

ROBO Cylinder Mini Table Type Motor Unit Coupled 40mm Width Pulse Motor Ball Screw

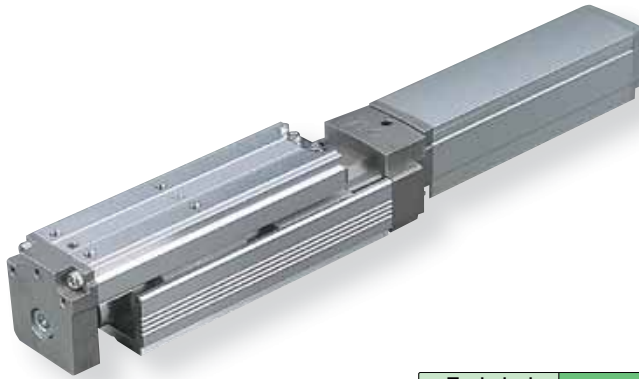
■ Configuration: **RCP3** — **TA4C** — **I** — **28P** — — — — —

Series — Type — Encoder — Motor — Lead — Stroke — Compatible Controllers — Cable Length — Option

I: Incremental 28P: Pulse motor 6: 6mm 20: 20mm
 * The simple absolute encoder is also considered type "I". 28 □ size 4: 4mm 100: 100mm (10mm pitch increments)

P1: PCON N: None See Options below
 RPCON P: 1m
 PSEL S: 3m
 P3: PMEC M: 5m
 PSEP X □ □ : Custom

* See page Pre-35 for an explanation of the naming convention.

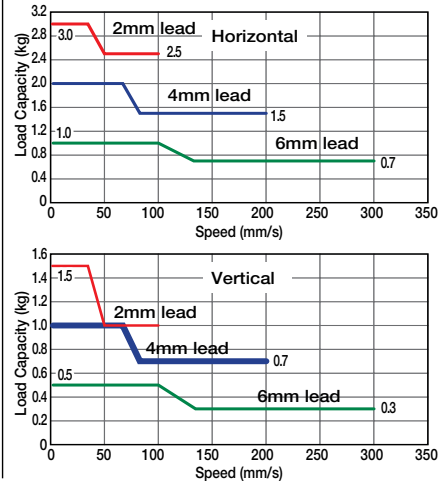


Technical References P. A-5

POINT Notes on Selection

(1) The load capacity is based on operation at an acceleration of 0.3G (0.2G for the 2mm-lead model, or when used vertically). 0.3G (0.2G for 2mm lead) is the upper limit of the acceleration.

■ Speed vs. Load Capacity
 Due to the characteristics of the Pulse motor, the RCP3 series' load capacity decreases at high speeds. In the table below, check if your desired speed and load capacity are supported.



Actuator Specifications						
Lead and Load Capacity				Stroke and Maximum Speed		
Model	Feed Screw	Lead (mm)	Max. Load Capacity (Note 1) Horizontal (kg) Vertical (kg)	Maximum Push Force (N) (Note 2)	Positioning Repeatability (mm)	Stroke (mm)
RCP3-TA4C-I-28P-6-①-②-③-④	Ball Screw	6	~ 1 ~ 0.5	15	±0.02	20~100 (10mm increments)
RCP3-TA4C-I-28P-4-①-②-③-④		4	~ 2 ~ 1	22		
RCP3-TA4C-I-28P-2-①-②-③-④		2	~ 3 ~ 1.5	44		

Legend ① Stroke ② Compatible controller ③ Cable length ④ Options (Note 2) See page A-66 for pushing force graphs. (Unit: mm/s)

Stroke (mm)	Standard Price
20	-
30	-
40	-
50	-
60	-
70	-
80	-
90	-
100	-

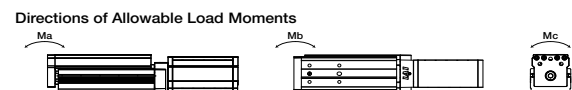
Type	Cable Symbol	Standard Price
Standard (Robot Cables)	P (1m)	-
	S (3m)	-
	M (5m)	-
Special Lengths	X06 (6m) ~ X10 (10m)	-
	X11 (11m) ~ X15 (15m)	-
	X16 (16m) ~ X20 (20m)	-

* The RCP3 comes standard with a robot cable.
 * See page A-39 for cables for maintenance.

Name	Option Code	See Page	Standard Price
Brake	B	→ A-25	-
Cable exit direction (Top)	CJT	→ A-25	-
Cable exit direction (Right)	CJR		
Cable exit direction (Left)	CJL		
Cable exit direction (Bottom)	CJB		
Reversed-home	NM	→ A-33	-

Item	Description
Drive System	Ball screw ø6mm C10 grade
Lost Motion	0.1mm or less
Base	Material: Aluminum (white alumite treated)
Allowable Dynamic Moment (Note 3)	Ma: 4.2 N·m Mb: 6 N·m Mc: 8.2 N·m
Ambient Operating Temp./Humidity	0~40°C, 85% RH or less (non-condensing)

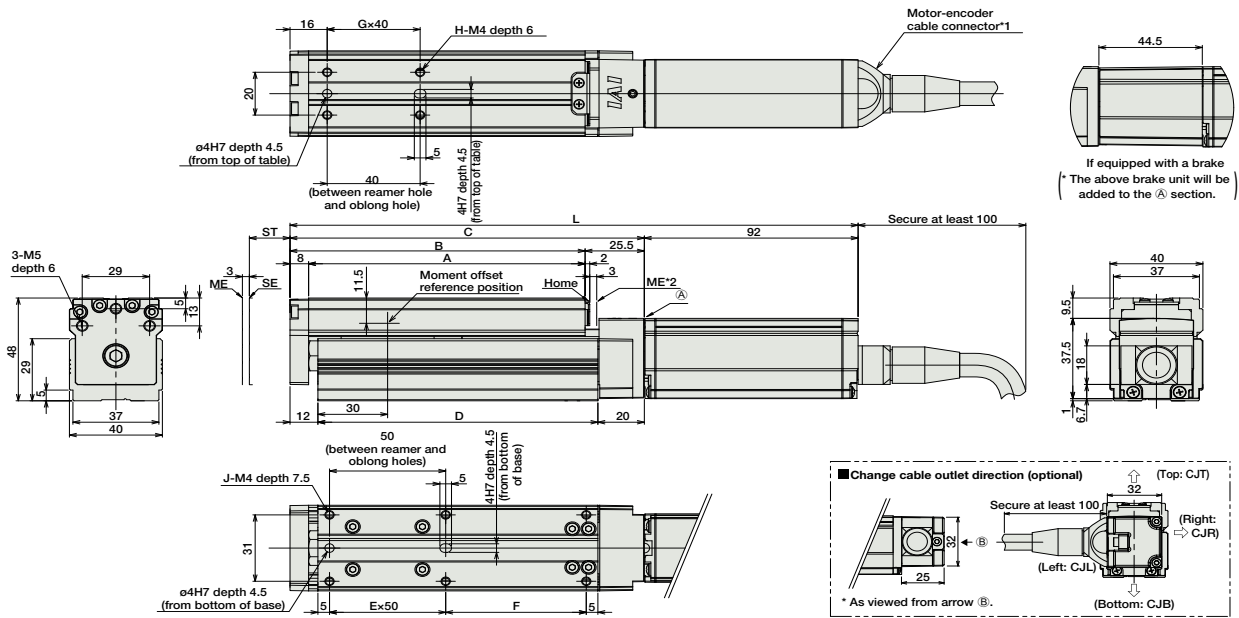
(Note 3) Based on a 5,000km service life.



271 RCP3-TA4C

Dimensions

For Special Orders P. A-9



- *1 The motor-encoder cable is connected directly to the motor cover of the actuator. See page A-39 for details on cables.
- *2 When homing, the slider moves to the mechanical end; therefore, please watch for any interference with the surrounding objects.

ST : Stroke
ME : Mechanical end
SE : Stroke end

■ Dimensions/Weight by Stroke * Adding a brake will increase the actuator's weight by 0.2kg.

Stroke	20	30	40	50	60	70	80	90	100	
L	No Brake	214.5	224.5	234.5	244.5	254.5	264.5	274.5	284.5	294.5
	Brake-equipped	259	269	279	289	299	309	319	329	339
A	89	99	109	119	129	139	149	159	169	
B	97	107	117	127	137	147	157	167	177	
C	122.5	132.5	142.5	152.5	162.5	172.5	182.5	192.5	202.5	
D	90.5	100.5	110.5	120.5	130.5	140.5	150.5	160.5	170.5	
E	1	1	1	1	2	2	2	2	2	
F	30.5	40.5	50.5	60.5	20.5	30.5	40.5	50.5	60.5	
G	1	1	1	1	2	2	2	2	2	
H	4	4	4	4	6	6	6	6	6	
J	6	6	6	6	8	8	8	8	8	
Weight (kg)	0.7	0.7	0.7	0.8	0.8	0.8	0.9	0.9	0.9	

② Compatible Controllers

The RCP3 series actuators can operate with the controllers below. Select the controller according to your usage.

Name	External View	Model	Description	Max. Positioning Points	Input Voltage	Power Supply Capacity	Standard Price	See Page						
Solenoid Valve Type		PMEC-C-28PI-NP-2-0 ⁽¹⁾	Easy-to-use controller, even for beginners	3 points	DC24V	2A max.	-	→ P477						
	Splash-Proof Solenoid Valve Type		PSEP-C-28PI-NP-2-0						Operable with same signal as solenoid valve. Supports both single and double solenoid types. No homing necessary with simple absolute type.					
Positioner Type			PCON-C-28PI-NP-2-0	Positioning is possible for up to 512 points					512 points					
	Safety-Compliant Positioner Type		PCON-CG-28PI-NP-2-0											
Pulse Train Input Type (Differential Line Driver)		PCON-PL-28PI-NP-2-0	Pulse train input type with differential line driver support	(-)					2A max.	-	→ P525			
Pulse Train Input Type (Open Collector)		PCON-PO-28PI-NP-2-0	Pulse train input type with open collector support											
Serial Communication Type		PCON-SE-28PI-N-0-0	Dedicated to serial communication	64 points								-	-	-
Field Network Type		RPCON-28P	Dedicated to field network	768 points								-	-	→ P503
Program Control Type		PSEL-C-1-28PI-NP-2-0	Programmed operation is possible. Operation is possible on up to 2 axes	1500 points								-	-	→ P557

* This is for the single-axis PSEL.
* ① is a placeholder for the power supply voltage (1: 100V, 2: 100~240V).

- Slider Type
- Mini
- Standard
- Controllers Integrated
- Rod Type
- Mini
- Standard
- Controllers Integrated
- Table/Arm /Flat Type
- Mini
- Standard
- Gripper/ Rotary Type
- Linear Servo Type
- Cleanroom Type
- Splash Proof
- Controllers
- PMEC /AMEC
- PSEP /ASEP
- ROBO NET
- ERC2
- PCON
- ACON
- SCON
- PSEL
- ASEL
- SSEL
- XSEL
- Pulse Motor
- Servo Motor (24V)
- Servo Motor (200V)
- Linear Servo Motor

RCP3-TA5C

ROBO Cylinder Table Type Motor Unit Coupled 55mm Width Pulse Motor Ball Screw

■ Configuration: **RCP3** — **TA5C** — **I** — **35P** — — — — —

Series — Type — Encoder — Motor — Lead — Stroke — Compatible Controllers — Cable Length — Option

I: Incremental
 * The simple absolute encoder is also considered type "I".

35P: Pulse motor 10: 10mm
 35 □ size 5: 5mm
 2.5: 2.5mm

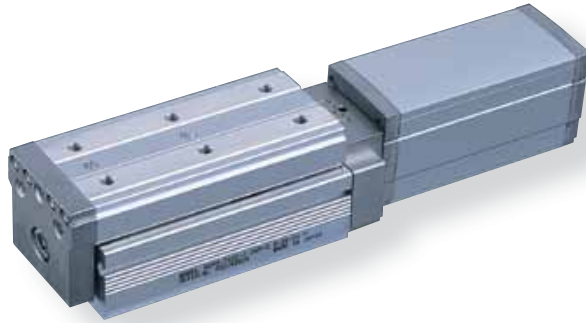
10: 10mm
 25: 25mm
 100: 100mm (25mm pitch increments)

P1: PCON
 RPCON
 PSEL
 P3: PMEC
 PSEP

N: None
 P: 1m
 S: 3m
 M: 5m
 X □ □: Custom

See Options below

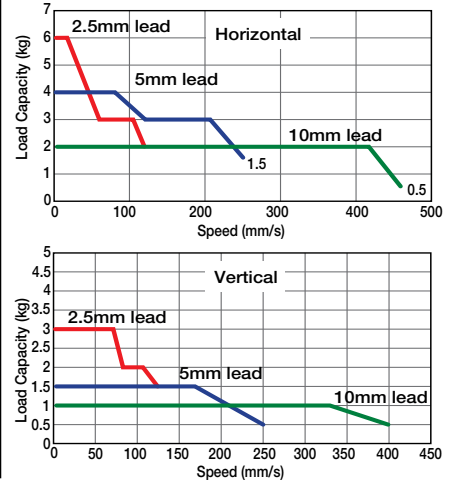
* See page Pre-35 for an explanation of the naming convention.



Technical References P. A-5

- POINT** Notes on Selection
- (1) Since the RCP3 series use a pulse motor, the load capacity decreases at high speeds. Check in the Speed vs. Load Capacity graph to see if your desired speed and load capacity are supported.
 - (2) Please note that the maximum speed is different when used horizontally versus vertically.
 - (3) The load capacity is based on operation at an acceleration of 0.3G (0.2G for the 2.5mm-lead model, or when used vertically). This is the upper limit of the acceleration.

■ Speed vs. Load Capacity
 Due to the characteristics of the Pulse motor, the RCP3 series' load capacity decreases at high speeds. In the table below, check if your desired speed and load capacity are supported.



Actuator Specifications

■ Lead and Load Capacity (Note 1) Please note that the maximum load capacity decreases as the speed increases.

Model	Lead (mm)	Max. Load Capacity (Note 1)		Maximum Push Force (N) (Note 2)	Stroke (mm)
		Horizontal (kg)	Vertical (kg)		
RCP3-TA5C-I-35P-10-①-②-③-④	10	~ 2	~ 1	34	25~100 (25mm increments)
RCP3-TA5C-I-35P-5-①-②-③-④	5	~ 4	~ 1.5	68	
RCP3-TA5C-I-35P-2.5-①-②-③-④	2.5	~ 6	~ 3	136	

Legend ① Stroke ② Compatible controller ③ Cable length ④ Options (Note 2) See page A-66 for pushing force graphs. (Unit: mm/s)

■ Stroke and Maximum Speed

Stroke	25 ~ 100 (25mm increments)
10	465 <400>
5	250
2.5	125

① Stroke List

Stroke (mm)	Standard Price
25	-
50	-
75	-
100	-

③ Cable List

Type	Cable Symbol	Standard Price
Standard (Robot Cables)	P (1m)	-
	S (3m)	-
	M (5m)	-
Special Lengths	X06 (6m) ~ X10 (10m)	-
	X11 (11m) ~ X15 (15m)	-
	X16 (16m) ~ X20 (20m)	-
		-

* The standard cable is the motor-encoder integrated robot cable.
 * See page A-39 for cables for maintenance.

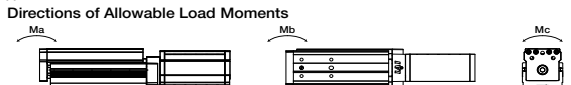
④ Option List

Name	Option Code	Standard Price	Standard Price
Brake	B	→ A-25	-
Cable exit direction (Top)	CJT	→ A-25	-
Cable exit direction (Right)	CJR	→ A-25	-
Cable exit direction (Left)	CJL	→ A-25	-
Cable exit direction (Bottom)	CJB	→ A-25	-
Reversed-home	NM	→ A-33	-

Actuator Specifications

Item	Description
Drive System	Ball screw ø8mm C10 grade
Positioning Repeatability	±0.02mm
Lost Motion	0.1mm or less
Base	Material: Material: Aluminum (special alumite treated)
Allowable Static Moment	Ma: 25.5 N·m Mb: 36.5 N·m Mc: 56.1 N·m
Allowable Dynamic Moment (*)	Ma: 6.57 N·m Mb: 9.32 N·m Mc: 14.32 N·m
Overhang Load Length	Within the load moment range
Ambient Operating Temp./Humidity	0~40°C, 85% RH or less (non-condensing)

(*) Based on a 5,000km service life.



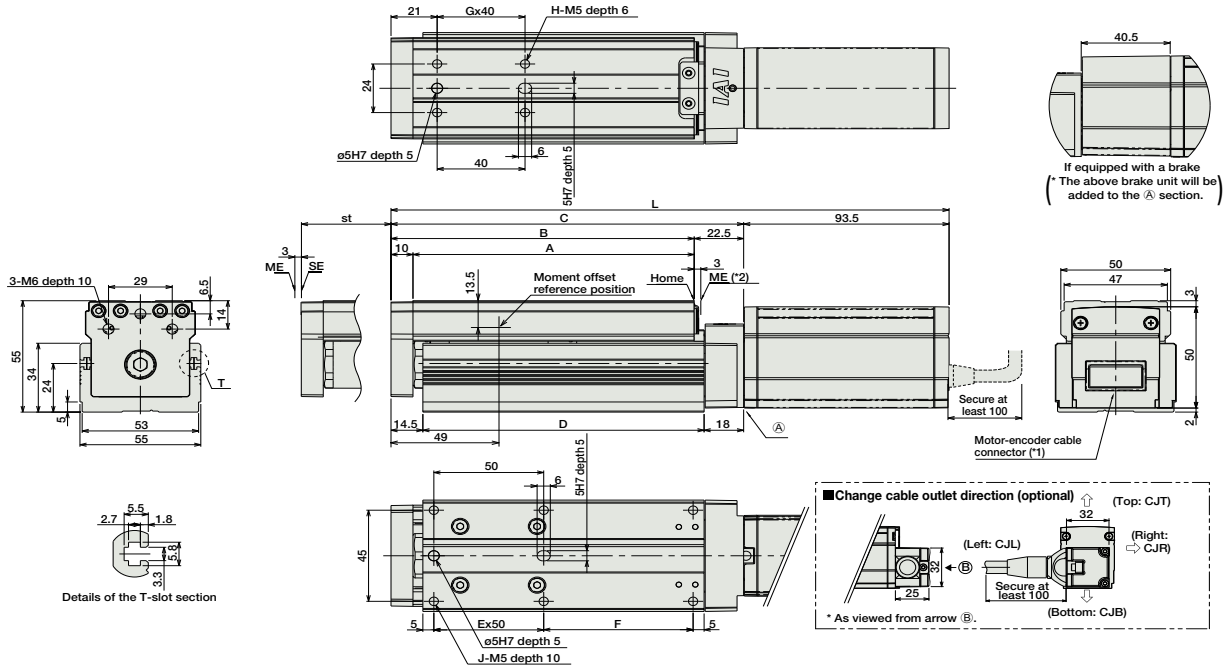
273 RCP3-TA5C

- Slider Type
- Mini
- Standard
- Controllers Integrated
- Rod Type
- Mini
- Standard
- Controllers Integrated
- Table/Arm/Flat Type
- Mini
- Standard
- Gripper/Rotary Type
- Linear Servo Type
- Cleanroom Type
- Splash Proof
- Controllers
- PMEC/AMEC
- PSEP/ASEP
- ROBO NET
- ERC2
- PCON
- ACON
- SCON
- PSEL
- ASEL
- SSEL
- XSEL

- Pulse Motor
- Servo Motor (24V)
- Servo Motor (200V)
- Linear Servo Motor

Dimensions

For Special Orders P. A-9



(*1) The motor-encoder cable (integrated) is connected. (See page A-39 for details on cables.)
 (*2) After homing, the slider moves to the ME; therefore, please watch for any interference with the surrounding objects.
 ME: Mechanical end
 SE: Stroke end

■ Dimensions/Weight by Stroke ^{* Adding a brake will increase the actuator's weight by 0.3kg.}

Stroke	No Brake	25	50	75	100
		Brake-Equipped	269.5	294.5	319.5
L					
A		103	128	153	178
B		113	138	163	188
C		135.5	160.5	185.5	210.5
D		103	128	153	178
E		1	1	2	2
F		43	68	43	68
G		1	1	2	2
H		4	4	6	6
J		6	6	8	8
Weight (kg)		1.2	1.4	1.5	1.7

② Compatible Controllers

The RCP3 series actuators can operate with the controllers below. Select the controller according to your usage.

Name	External View	Model	Description	Max. Positioning Points	Input Voltage	Power Supply Capacity	Standard Price	See Page
Solenoid Valve Type		PMEC-C-3SPI-NP-2-①	Easy-to-use controller, even for beginners	3 points	AC100V AC200V	See P481	-	→ P477
		PSEP-C-3SPI-NP-2-0	Operable with same signal as solenoid valve. Supports both single and double solenoid types. No homing necessary with simple absolute type.					→ P487
Splash-Proof Solenoid Valve Type		PSEP-CW-3SPI-NP-2-0						
Positioner Type		PCON-C-3SPI-NP-2-0	Positioning is possible for up to 512 points	512 points	DC24V	2A max.	-	→ P525
Safety-Compliant Positioner Type		PCON-CG-3SPI-NP-2-0						
Pulse Train Input Type (Differential Line Driver)		PCON-PL-3SPI-NP-2-0	Pulse train input type with differential line driver support	(-)	DC24V	2A max.	-	→ P525
Pulse Train Input Type (Open Collector)		PCON-PO-3SPI-NP-2-0	Pulse train input type with open collector support					
Serial Communication Type		PCON-SE-3SPI-N-0-0	Dedicated to serial communication	64 points				
Field Network Type		RPCON-3SP	Dedicated to field network	768 points				→ P503
Program Control Type		PSEL-C-1-3SPI-NP-2-0	Programmed operation is possible. Operation is possible on up to 2 axes	1500 points				→ P557

* This is for the single-axis PSEL.
 * ① is a placeholder for the power supply voltage (1: 100V, 2: 100~240V).

- Slider Type
- Mini
- Standard
- Controllers Integrated
- Rod Type
- Mini
- Standard
- Controllers Integrated
- Table/Arm /Flat Type
- Mini
- Standard
- Gripper/ Rotary Type
- Linear Servo Type
- Cleanroom Type
- Splash Proof
- Controllers
- PMEC /AMEC
- PSEP /ASEP
- ROBO NET
- ERC2
- PCON
- ACON
- SCON
- PSEL
- ASEL
- SSEL
- XSEL
- Pulse Motor
- Servo Motor (24V)
- Servo Motor (200V)
- Linear Servo Motor

RCP3-TA6C

ROBO Cylinder Table Type Motor Unit Coupled 65mm Width Pulse Motor Ball Screw

■ Configuration: **RCP3** — **TA6C** — **I** — **42P** — — — — —

Series — Type — Encoder — Motor — Lead — Stroke — Compatible Controllers — Cable Length — Option

I: Incremental
* The simple absolute encoder is also considered type "I".

42P: Pulse motor
42 □ size

12 : 12mm
6 : 6mm
3 : 3mm

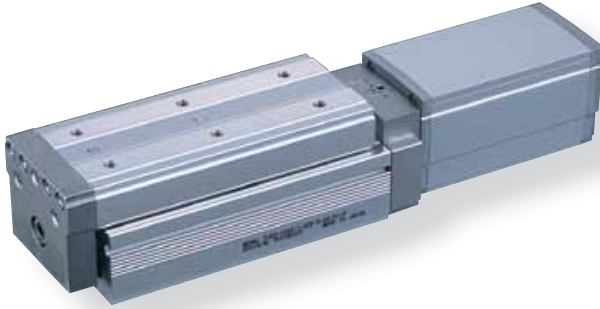
25: 25mm
150: 150mm (25mm pitch increments)

P1: PCON
RCON
PSEL
P3: PMEC
PSEP

N : None
P : 1m
S : 3m
M : 5m
X □ □ : Custom

See Options below

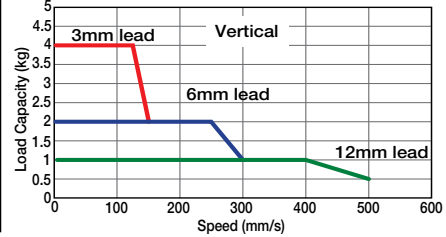
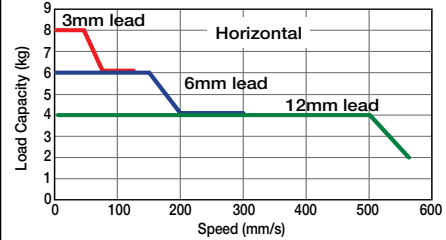
* See page Pre-35 for an explanation of the naming convention.



Technical References P. A-5

- POINT** Notes on Selection
- Since the RCP3 series use a pulse motor, the load capacity decreases at high speeds. Check in the Speed vs. Load Capacity graph to see if your desired speed and load capacity are supported.
 - Please note that the maximum speed is different when used horizontally versus vertically.
 - The load capacity is based on operation at an acceleration of 0.3G (0.2G for the 3mm-lead model, or when used vertically). This is the upper limit of the acceleration.

■ Speed vs. Load Capacity
Due to the characteristics of the Pulse motor, the RCP3 series' load capacity decreases at high speeds. In the table below, check if your desired speed and load capacity are supported.



Actuator Specifications

Lead and Load Capacity

(Note 1) Please note that the maximum load capacity decreases as the speed increases.

Model	Lead (mm)	Max. Load Capacity (Note 1)		Maximum Push Force (N)(Note 2)	Stroke (mm)
		Horizontal (kg)	Vertical (kg)		
RCP3-TA6C-I-42P-12-①-②-③-④	12	~ 4	~ 1	47	25 ~ 150 (25mm increments)
RCP3-TA6C-I-42P-6-①-②-③-④	6	~ 6	~ 2	95	
RCP3-TA6C-I-42P-3-①-②-③-④	3	~ 8	~ 4	189	

Legend ① Stroke ② Compatible controller ③ Cable length ④ Options

(Note 2) See page A-66 for pushing force graphs.

Stroke and Maximum Speed

Lead	Stroke	25 ~ 150 (25mm increments)
6	300	
3	150	

(Unit: mm/s)

① Stroke List

Stroke (mm)	Standard Price
25	-
50	-
75	-
100	-
125	-
150	-

③ Cable List

Type	Cable Symbol	Standard Price
Standard (Robot Cables)	P (1m)	-
	S (3m)	-
	M (5m)	-
Special Lengths	X06 (6m) ~ X10 (10m)	-
	X11 (11m) ~ X15 (15m)	-
	X16 (16m) ~ X20 (20m)	-
		-

* The standard cable is the motor-encoder integrated robot cable.
* See page A-39 for cables for maintenance.

④ Option List

Name	Option Code	Standard Price	Standard Price
Brake	B	→ A-25	-
Cable exit direction (Top)	CJT	→ A-25	-
Cable exit direction (Right)	CJR	→ A-25	-
Cable exit direction (Left)	CJL	→ A-25	-
Cable exit direction (Bottom)	CJB	→ A-25	-
Reversed-home	NM	→ A-33	-

Actuator Specifications

Item	Description
Drive System	Ball screw ø10mm C10 grade
Positioning Repeatability	±0.02mm
Lost Motion	0.1mm or less
Base	Material: Material: Aluminum (special alumite treated)
Allowable Static Moment	Ma: 29.4 N·m Mb: 42.0 N·m Mc: 74.1 N·m
Allowable Dynamic Moment (*)	Ma: 7.26 N·m Mb: 10.3 N·m Mc: 18.25 N·m
Overhang Load Length	Within the load moment range
Ambient Operating Temp./Humidity	0~40°C, 85% RH or less (non-condensing)

(*) Based on a 5,000km service life.

Directions of Allowable Load Moments

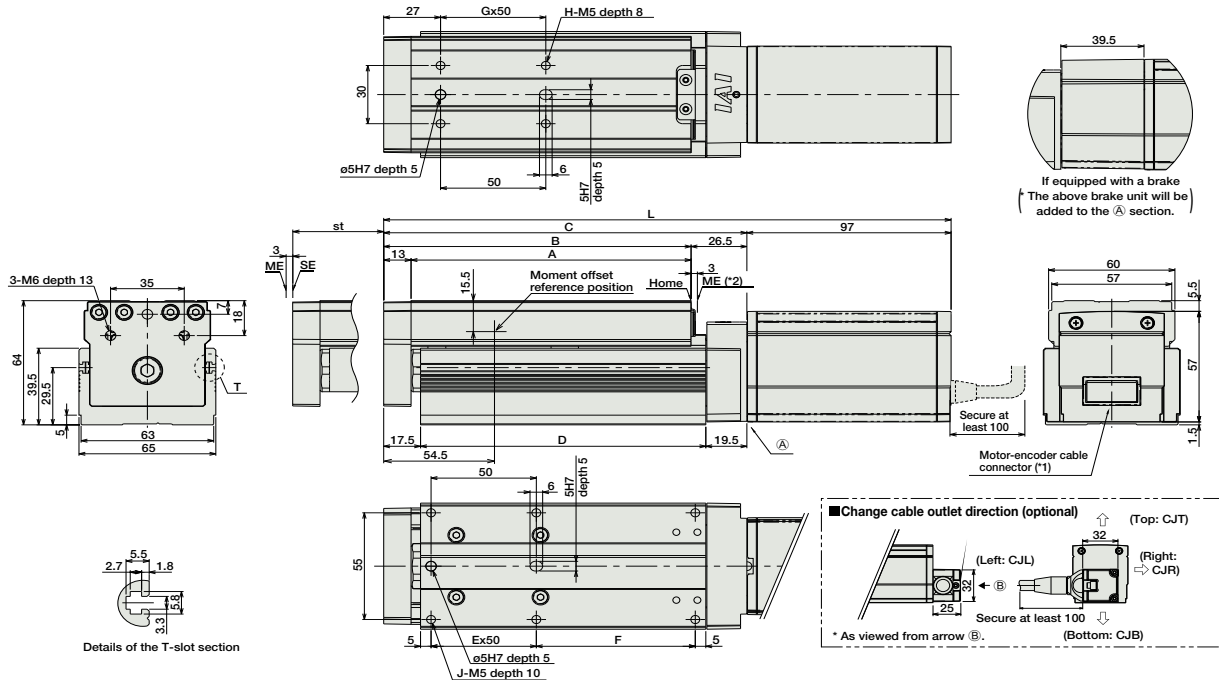


275

RCP3-TA6C

Dimensions

For Special Orders P. A-9



■ Dimensions/Weight by Stroke * Adding a brake will increase the actuator's weight by 0.4kg.

Stroke	25	50	75	100	125	150
L	284	309	334	359	384	409
A	108	133	158	183	208	233
B	121	146	171	196	221	246
C	147.5	172.5	197.5	222.5	247.5	272.5
D	110.5	135.5	160.5	185.5	210.5	235.5
E	1	1	2	2	3	3
F	50.5	75.5	50.5	75.5	50.5	75.5
G	1	1	2	2	3	3
H	4	4	6	6	8	8
J	6	6	8	8	10	10
Weight (kg)	1.8	2	2.2	2.4	2.6	2.8

(*1) The motor-encoder cable (integrated) is connected. (See page A-39 for details on cables.)
 (*2) After homing, the slider moves to the ME; therefore, please watch for any interference with the surrounding objects.
 ME: Mechanical end
 SE: Stroke end

② Compatible Controllers

The RCP3 series actuators can operate with the controllers below. Select the controller according to your usage.

Name	External View	Model	Description	Max. Positioning Points	Input Voltage	Power Supply Capacity	Standard Price	See Page
Solenoid Valve Type		PMEC-C-42PI-NP-2-①	Easy-to-use controller, even for beginners	3 points	AC100V AC200V	See P481	-	→ P477
		PSEP-C-42PI-NP-2-0	Operable with same signal as solenoid valve. Supports both single and double solenoid types. No homing necessary with simple absolute type.					
Splash-Proof Solenoid Valve Type		PSEP-CW-42PI-NP-2-0						→ P487
Positioner Type		PCON-C-42PI-NP-2-0	Positioning is possible for up to 512 points	512 points	DC24V	2A max.	-	→ P525
Safety-Compliant Positioner Type		PCON-CG-42PI-NP-2-0						
Pulse Train Input Type (Differential Line Driver)		PCON-PL-42PI-NP-2-0	Pulse train input type with differential line driver support	(-)	DC24V	2A max.	-	→ P525
Pulse Train Input Type (Open Collector)		PCON-PO-42PI-NP-2-0	Pulse train input type with open collector support					
Serial Communication Type		PCON-SE-42PI-N-0-0	Dedicated to serial communication	64 points				
Field Network Type		RPCON-42P	Dedicated to field network	768 points				→ P503
Program Control Type		PSEL-C-1-42PI-NP-2-0	Programmed operation is possible. Operation is possible on up to 2 axes	1500 points				→ P557

* This is for the single-axis PSEL.
 * ① is a placeholder for the power supply voltage (1: 100V, 2: 100~240V).

- Slider Type
- Mini
- Standard
- Controllers Integrated
- Rod Type
- Mini
- Standard
- Controllers Integrated
- Table/Arm /Flat Type
- Mini
- Standard
- Gripper/ Rotary Type
- Linear Servo Type
- Cleanroom Type
- Splash Proof
- Controllers
- PMEC /AMEC
- PSEP /ASEP
- ROBO NET
- ERC2
- PCON
- ACON
- SCON
- PSEL
- ASEL
- SSEL
- XSEL
- Pulse Motor
- Servo Motor (24V)
- Servo Motor (200V)
- Linear Servo Motor

RCP3-TA7C

ROBO Cylinder Table Type Motor Unit Coupled 75mm Width Pulse Motor Ball Screw

■ Configuration: **RCP3** — **TA7C** — **I** — **42P** — — — — —

Series — Type — Encoder — Motor — Lead — Stroke — Compatible Controllers — Cable Length — Option

I: Incremental
* The simple absolute encoder is also considered type "I".

42P: Pulse motor
42 □ size

12: 12mm
6: 6mm
3: 3mm

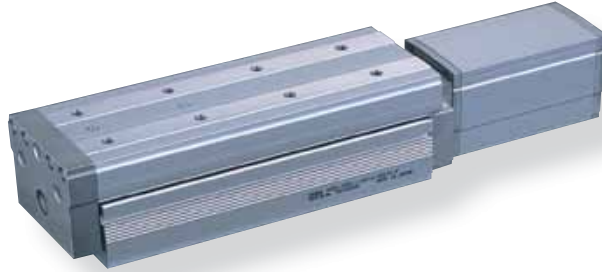
25: 25mm
200: 200mm (25mm pitch increments)

P1: PCON
RPCON
PSEL
P3: PMEC
PSEP

N: None
P: 1m
S: 3m
M: 5m
X □ □: Custom

See Options below

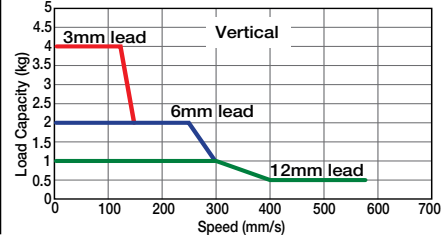
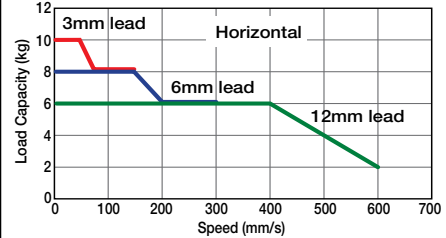
* See page Pre-35 for an explanation of the naming convention.



Technical References P. A-5

- POINT** Notes on Selection
- Since the RCP3 series use a pulse motor, the load capacity decreases at high speeds. Check in the Speed vs. Load Capacity graph below to see if your desired speed and load capacity are supported.
 - Please note that the maximum speed is different when used horizontally versus vertically.
 - The load capacity is based on operation at an acceleration of 0.3G (0.2G for the 3mm-lead model, or when used vertically). This is the upper limit of the acceleration.

■ Speed vs. Load Capacity
Due to the characteristics of the Pulse motor, the RCP3 series' load capacity decreases at high speeds. In the table below, check if your desired speed and load capacity are supported.



Actuator Specifications					
Lead and Load Capacity			Stroke and Maximum Speed		
Model	Lead (mm)	Max. Load Capacity (Note 1)		Maximum Push Force (N) (Note 2)	Stroke (mm)
		Horizontal (kg)	Vertical (kg)		
RCP3-TA7C-I-42P-12-①-②-③-④	12	~ 6	~ 1	47	25~200 (25mm increments)
RCP3-TA7C-I-42P-6-①-②-③-④	6	~ 8	~ 2	95	
RCP3-TA7C-I-42P-3-①-②-③-④	3	~ 10	~ 4	189	

Legend ① Stroke ② Compatible controller ③ Cable length ④ Options (Note 2) See page A-66 for pushing force graphs. (Unit: mm/s)

① Stroke List

Stroke (mm)	Standard Price
25	-
50	-
75	-
100	-
125	-
150	-
175	-
200	-

③ Cable List

Type	Cable Symbol	Standard Price
Standard (Robot Cables)	P (1m)	-
	S (3m)	-
	M (5m)	-
Special Lengths	X06 (6m) ~ X10 (10m)	-
	X11 (11m) ~ X15 (15m)	-
	X16 (16m) ~ X20 (20m)	-

* The standard cable is the motor-encoder integrated robot cable.
* See page A-39 for cables for maintenance.

④ Option List

Name	Option Code	Standard Price	Standard Price
Brake	B	→ A-25	-
Cable exit direction (Top)	CJT	→ A-25	-
Cable exit direction (Right)	CJR	→ A-25	-
Cable exit direction (Left)	CJL	→ A-25	-
Cable exit direction (Bottom)	CJB	→ A-25	-
Reversed-home	NM	→ A-33	-

Actuator Specifications

Item	Description
Drive System	Ball screw ø10mm C10 grade
Positioning Repeatability	±0.02mm
Lost Motion	0.1mm or less
Base	Material: Material: Aluminum (special alumite treated)
Allowable Static Moment	Ma: 42.6 N·m Mb: 60.8 N·m Mc: 123.2 N·m
Allowable Dynamic Moment (*)	Ma: 9.91 N·m Mb: 14.13 N·m Mc: 28.65 N·m
Overhang Load Length	Within the load moment range
Ambient Operating Temp./Humidity	0~40°C, 85% RH or less (non-condensing)

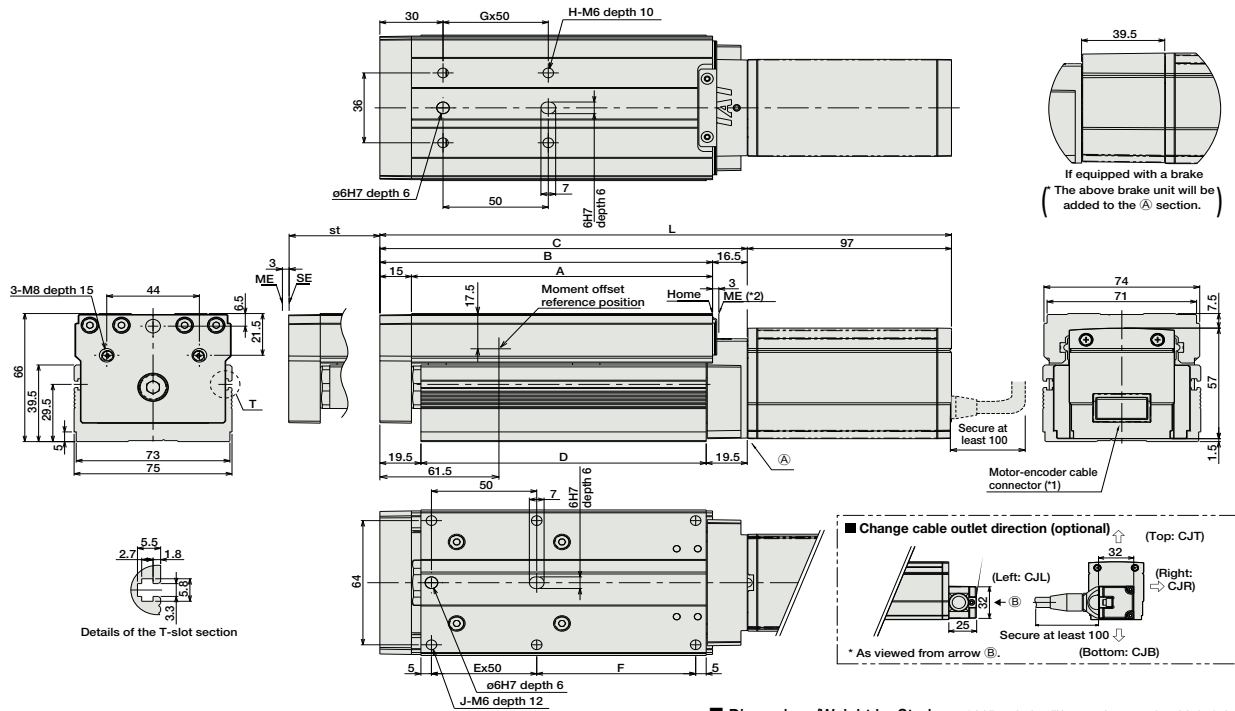
(*) Based on a 5,000km service life.



277 RCP3-TA7C

Dimensions

For Special Orders P. A-9



■ Dimensions/Weight by Stroke

* Adding a brake will increase the actuator's weight by 0.4kg.

Stroke	Stroke								
	25	50	75	100	125	150	175	200	
L	No Brake	246.5	271.5	296.5	321.5	346.5	371.5	396.5	421.5
	Brake-Equipped	286	311	336	361	386	411	436	461
A	118	143	168	193	218	243	268	293	
B	133	158	183	208	233	258	283	308	
C	149.5	174.5	199.5	224.5	249.5	274.5	299.5	324.5	
D	110.5	135.5	160.5	185.5	210.5	235.5	260.5	285.5	
E	1	1	2	2	3	3	4	4	
F	50.5	75.5	50.5	75.5	50.5	75.5	50.5	75.5	
G	1	1	2	2	3	3	4	4	
H	4	4	6	6	8	8	10	10	
J	6	6	8	8	10	10	12	12	
Weight (kg)	2.1	2.3	2.5	2.8	3	3.2	3.4	3.6	

(*1) The motor-encoder cable (integrated) is connected. (See page A-39 for details on cables.)
 (*2) After homing, the slider moves to the ME; therefore, please watch for any interference with the surrounding objects.
 ME: Mechanical end
 SE: Stroke end

② Compatible Controllers

The RCP3 series actuators can operate with the controllers below. Select the controller according to your usage.

Name	External View	Model	Description	Max. Positioning Points	Input Voltage	Power Supply Capacity	Standard Price	See Page
Solenoid Valve Type		PMEC-C-42PI-NP-2-①	Easy-to-use controller, even for beginners	3 points	AC100V AC200V	See P481	-	→ P477
		PSEP-C-42PI-NP-2-0	Operable with same signal as solenoid valve. Supports both single and double solenoid types. No homing necessary with simple absolute type.					
Splash-Proof Solenoid Valve Type		PSEP-CW-42PI-NP-2-0						→ P487
Positioner Type		PCON-C-42PI-NP-2-0	Positioning is possible for up to 512 points	512 points				
Safety-Compliant Positioner Type		PCON-CG-42PI-NP-2-0						
Pulse Train Input Type (Differential Line Driver)		PCON-PL-42PI-NP-2-0	Pulse train input type with differential line driver support	(-)	DC24V	2A max.	-	→ P525
Pulse Train Input Type (Open Collector)		PCON-PO-42PI-NP-2-0	Pulse train input type with open collector support					
Serial Communication Type		PCON-SE-42PI-N-0-0	Dedicated to serial communication	64 points				
Field Network Type		RPCON-42P	Dedicated to field network	768 points				→ P503
Program Control Type		PSEL-C-1-42PI-NP-2-0	Programmed operation is possible. Operation is possible on up to 2 axes	1500 points				→ P557

* This is for the single-axis PSEL.
 * ① is a placeholder for the power supply voltage (1: 100V, 2: 100~240V).

- Slider Type
- Mini
- Standard
- Controllers Integrated
- Rod Type
- Mini
- Standard
- Controllers Integrated
- Table/Arm /Flat Type
- Mini
- Standard
- Gripper/ Rotary Type
- Linear Servo Type
- Cleanroom Type
- Splash Proof
- Controllers
- PMEC /AMEC
- PSEP /ASEP
- ROBO NET
- ERC2
- PCON
- ACON
- SCON
- PSEL
- ASEL
- SSEL
- XSEL
- Pulse Motor
- Servo Motor (24V)
- Servo Motor (200V)
- Linear Servo Motor

RCP3-TA3R

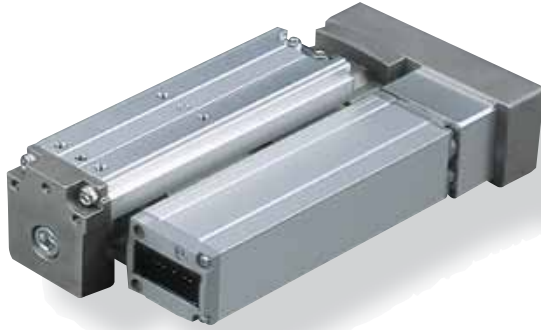
ROBO Cylinder Mini Table Type Side-Mounted Motor 36mm Width Pulse Motor Ball Screw

■ Configuration: **RCP3** — **TA3R** — **I** — **20P** — — — — —

Series — Type — Encoder — Motor — Lead — Stroke — Compatible Controllers — Cable Length — Option

I: Incremental * The simple absolute encoder is also considered type "I".
 20P: Pulse motor 20 □ size
 6: 6mm
 4: 4mm
 2: 2mm
 20: 20mm
 100: 100mm (10mm pitch increments)
 P1: PCON
 RPCON
 PSEL
 P3: PMEC
 PSEP
 N: None
 P: 1m
 S: 3m
 M: 5m
 X □ □: Custom
 See Options below * Be sure to specify which side the motor is to be mounted (ML/MR).

* See page Pre-35 for an explanation of the naming convention.



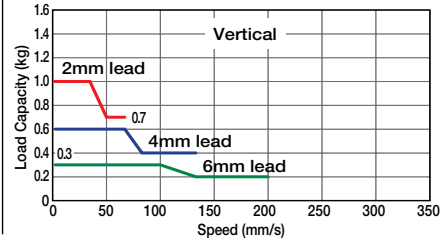
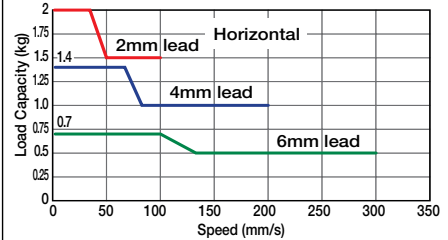
Pictured: Left-mounted motor model (ML).

Technical References P. A-5

POINT Notes on Selection

(1) The load capacity is based on operation at an acceleration of 0.3G (0.2G for the 2mm-lead model, or when used vertically). 0.3G (0.2G for 2mm lead) is the upper limit of the acceleration.

■ Speed vs. Load Capacity
 Due to the characteristics of the Pulse motor, the RCP3 series' load capacity decreases at high speeds. In the table below, check if your desired speed and load capacity are supported.



Actuator Specifications

■ Lead and Load Capacity (Note 1) Please note that the maximum load capacity decreases as the speed increases.

Model	Feed Screw	Lead (mm)	Max. Load Capacity (Note 1)		Maximum Push Force (N) (Note 2)	Positioning Repeatability (mm)	Stroke (mm)
			Horizontal (kg)	Vertical (kg)			
RCP3-TA3R-I-20P-6-①-②-③-④	Ball Screw	6	~ 0.7	~ 0.3	9	±0.02	20~100 (10mm increments)
RCP3-TA3R-I-20P-4-①-②-③-④		4	~ 1.4	~ 0.6	14		
RCP3-TA3R-I-20P-2-①-②-③-④		2	~ 2	~ 1	28		

Legend ① Stroke ② Compatible controller ③ Cable length ④ Options (Note 2) See page A-66 for pushing force graphs. * The values enclosed in "< >" apply to vertical usage. (Unit: mm/s)

■ Stroke and Maximum Speed

Lead	Stroke	
	20 ~ 100 (mm)	200 ~ 300 (mm)
6	300 <200>	200 <133>
4	200 <133>	100 <67>
2	100 <67>	-

① Stroke List

Stroke (mm)	Standard Price
20	-
30	-
40	-
50	-
60	-
70	-
80	-
90	-
100	-

③ Cable List

Type	Cable Symbol	Standard Price
Standard (Robot Cables)	P (1m)	-
	S (3m)	-
	M (5m)	-
Special Lengths	X06 (6m) ~ X10 (10m)	-
	X11 (11m) ~ X15 (15m)	-
	X16 (16m) ~ X20 (20m)	-
	-	-

* The RCP3 comes standard with a robot cable.
 * See page A-39 for cables for maintenance.

④ Option List

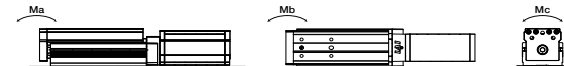
Name	Option Code	See Page	Standard Price
Brake	B	→ A-25	-
Left-Mounted Motor (Standard)	ML	→ A-33	-
Right-Mounted Motor	MR	→ A-33	-
Reversed-home	NM	→ A-33	-

Actuator Specifications

Item	Description
Drive System	Ball screw ø6mm C10 grade
Lost Motion	0.1mm or less
Base	Material: Aluminum (white alumite treated)
Allowable Dynamic Moment (Note 3)	Ma: 3.2 N-m Mb: 4.6 N-m Mc: 5.1 N-m
Ambient Operating Temp./Humidity	0~40°C, 85% RH or less (non-condensing)

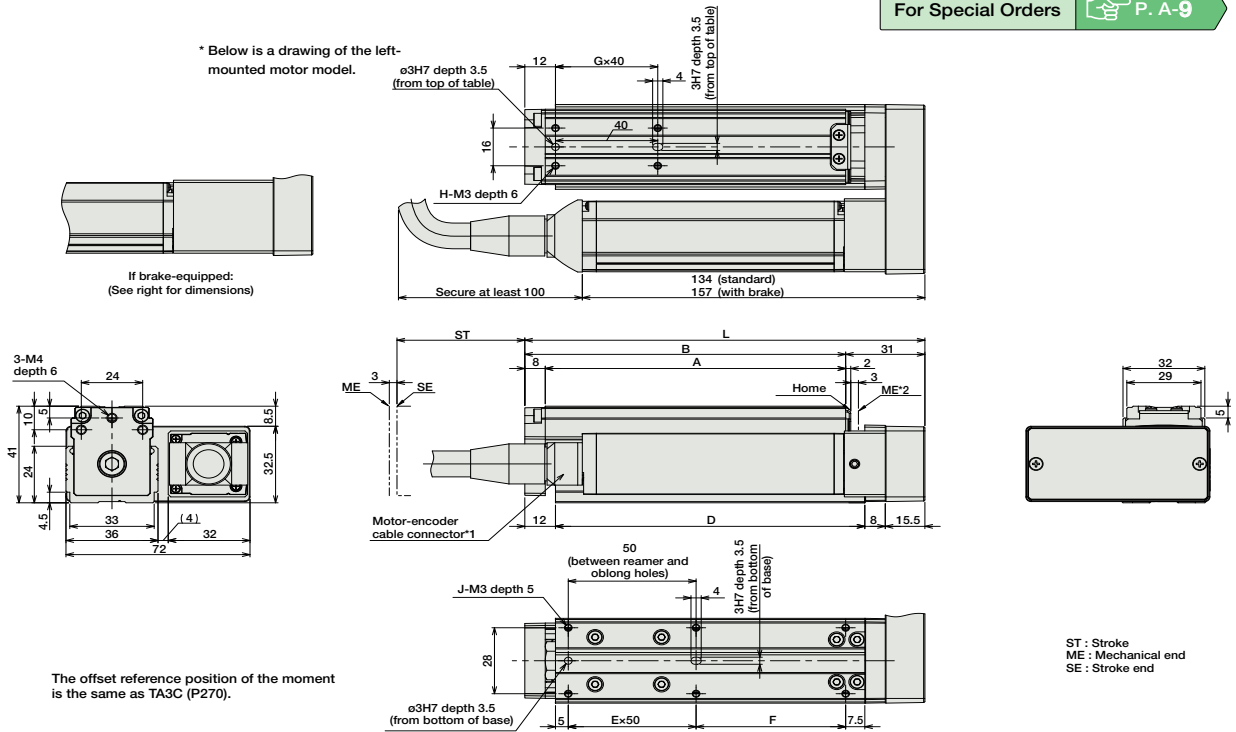
(Note 3) Based on a 5,000km service life.

Directions of Allowable Load Moments



Dimensions

For Special Orders P. A-9



- *1 The motor-encoder cable is connected directly to the motor cover of the actuator. See page A-39 for details on cables.
- *2 When homing, the slider moves to the mechanical end; therefore, please watch for any interference with the surrounding objects.

■ Dimensions/Weight by Stroke

* Adding a brake will increase the actuator's weight by 0.1kg.

Stroke	20	30	40	50	60	70	80	90	100
L	126.5	136.5	146.5	156.5	166.5	176.5	186.5	196.5	206.5
A	87.5	97.5	107.5	117.5	127.5	137.5	147.5	157.5	167.5
B	95.5	105.5	115.5	125.5	135.5	145.5	155.5	165.5	175.5
D	91	101	111	121	131	141	151	161	171
E	1	1	1	1	2	2	2	2	2
F	28.5	38.5	48.5	58.5	68.5	78.5	88.5	98.5	108.5
G	1	1	1	1	2	2	2	2	2
H	4	4	4	4	6	6	6	6	6
J	6	6	6	6	8	8	8	8	8
Weight (kg)	0.5	0.6	0.6	0.6	0.6	0.7	0.7	0.7	0.7

② Compatible Controllers

The RCP3 series actuators can operate with the controllers below. Select the controller according to your usage.

Name	External View	Model	Description	Max. Positioning Points	Input Voltage	Power Supply Capacity	Standard Price	See Page
Solenoid Valve Type		PMEC-C-20PI-NP-2-1	Easy-to-use controller, even for beginners	3 points	AC100V AC200V	See P481	-	→ P477
		PSEP-C-20PI-NP-2-0	Operable with same signal as solenoid valve. Supports both single and double solenoid types. No homing necessary with simple absolute type.					→ P487
Splash-Proof Solenoid Valve Type		PSEP-CW-20PI-NP-2-0						
Positioner Type		PCON-C-20PI-NP-2-0	Positioning is possible for up to 512 points	512 points	DC24V	2A max.	-	→ P525
Safety-Compliant Positioner Type		PCON-CG-20PI-NP-2-0						
Pulse Train Input Type (Differential Line Driver)		PCON-PL-20PI-NP-2-0	Pulse train input type with different line driver support	(-)	DC24V	2A max.	-	→ P525
Pulse Train Input Type (Open Collector)		PCON-PO-20PI-NP-2-0	Pulse train input type with open collector support					
Serial Communication Type		PCON-SE-20PI-N-0-0	Dedicated to serial communication	64 points				
Field Network Type		RPCON-20P	Dedicated to field network	768 points				→ P503
Program Control Type		PSEL-C-1-20PI-NP-2-0	Programmed operation is possible. Operation is possible on up to 2 axes	1500 points				→ P557

* This is for the single-axis PSEL.
* ① is a placeholder for the power supply voltage (1: 100V, 2: 100~240V).

- Slider Type
- Mini
- Standard
- Controllers Integrated
- Rod Type
- Mini
- Standard
- Controllers Integrated
- Table/Arm /Flat Type
- Mini
- Standard
- Gripper/ Rotary Type
- Linear Servo Type
- Cleanroom Type
- Splash Proof
- Controllers
- PMEC /AMEC
- PSEP /ASEP
- ROBO NET
- ERC2
- PCON
- ACON
- SCON
- PSEL
- ASEL
- SSEL
- XSEL
- Pulse Motor
- Servo Motor (24V)
- Servo Motor (200V)
- Linear Servo Motor

RCP3-TA4R

ROBO Cylinder Mini Table Type Side-Mounted Motor 40mm Width Pulse Motor Ball Screw

■ Configuration: **RCP3** — **TA4R** — **I** — **28P** — — — — —

Series — Type — Encoder — Motor — Lead — Stroke — Compatible Controllers — Cable Length — Option

I: Incremental * The simple absolute encoder is also considered type "I".
 28P: Pulse motor 28 □ size
 6 : 6mm
 4 : 4mm
 2 : 2mm
 20: 20mm
 100: 100mm (10mm pitch increments)
 P1: PCON
 RPCON
 PSEL
 P3: PMEC
 PSEP
 N : None
 P : 1m
 S : 3m
 M : 5m
 X □ □ : Custom
 See Options below * Be sure to specify which side the motor is to be mounted (ML/MR).

* See page Pre-35 for an explanation of the naming convention.



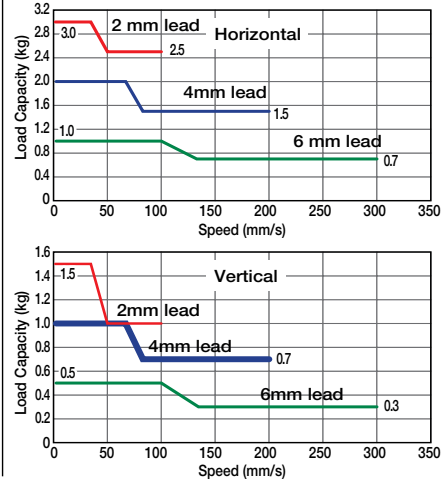
Pictured: TA3R with left-mounted motor (ML).

Technical References P. A-5

POINT Notes on Selection

(1) The load capacity is based on operation at an acceleration of 0.3G (0.2G for the 2mm-lead model, or when used vertically). 0.3G (0.2G for 2mm lead) is the upper limit of the acceleration.

■ Speed vs. Load Capacity
 Due to the characteristics of the Pulse motor, the RCP3 series' load capacity decreases at high speeds. In the table below, check if your desired speed and load capacity are supported.



Actuator Specifications

■ Lead and Load Capacity (Note 1) Please note that the maximum load capacity decreases as the speed increases.

Model	Feed Screw	Lead (mm)	Max. Load Capacity (Note 1)		Maximum Push Force (N) (Note 2)	Positioning Repeatability (mm)	Stroke (mm)
			Horizontal (kg)	Vertical (kg)			
RCP3-TA4R-I-28P-6-①-②-③-④	Ball Screw	6	~ 1	~ 0.5	15	±0.02	20~100 (10mm increments)
RCP3-TA4R-I-28P-4-①-②-③-④		4	~ 2	~ 1	22		
RCP3-TA4R-I-28P-2-①-②-③-④		2	~ 3	~ 1.5	44		

Legend ① Stroke ② Compatible controller ③ Cable length ④ Options (Note 2) See page A-66 for pushing force graphs. (Unit: mm/s)

■ Stroke and Maximum Speed

Lead	Stroke	
	20 ~ 100 (mm)	20 ~ 100 (mm)
Ball Screw	6	300
	4	200
	2	100

① Stroke List

Stroke (mm)	Standard Price
20	-
30	-
40	-
50	-
60	-
70	-
80	-
90	-
100	-

③ Cable List

Type	Cable Symbol	Standard Price
Standard (Robot Cables)	P (1m)	-
	S (3m)	-
	M (5m)	-
Special Lengths	X06 (6m) ~ X10 (10m)	-
	X11 (11m) ~ X15 (15m)	-
	X16 (16m) ~ X20 (20m)	-
		-

* The RCP3 comes standard with a robot cable.
 * See page A-39 for cables for maintenance.

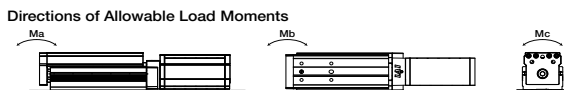
④ Option List

Name	Option Code	See Page	Standard Price
Brake	B	→ A-25	-
Cable exit direction (Top)	CJT		
Cable exit direction (Outside)	CJO	→ A-25	-
Cable exit direction (Bottom)	CJB		
Left-Mounted Motor (Standard)	ML	→ A-33	-
Right-Mounted Motor	MR	→ A-33	-
Reversed-home	NM	→ A-33	-

Actuator Specifications

Item	Description
Drive System	Ball screw ø6mm C10 grade
Lost Motion	0.1mm or less
Base	Material: Aluminum (white alumite treated)
Allowable Dynamic Moment (Note 3)	Ma: 4.2 N·m Mb: 6 N·m Mc: 8.2 N·m
Ambient Operating Temp./Humidity	0~40°C, 85% RH or less (non-condensing)

(Note 3) Based on a 5,000km service life.

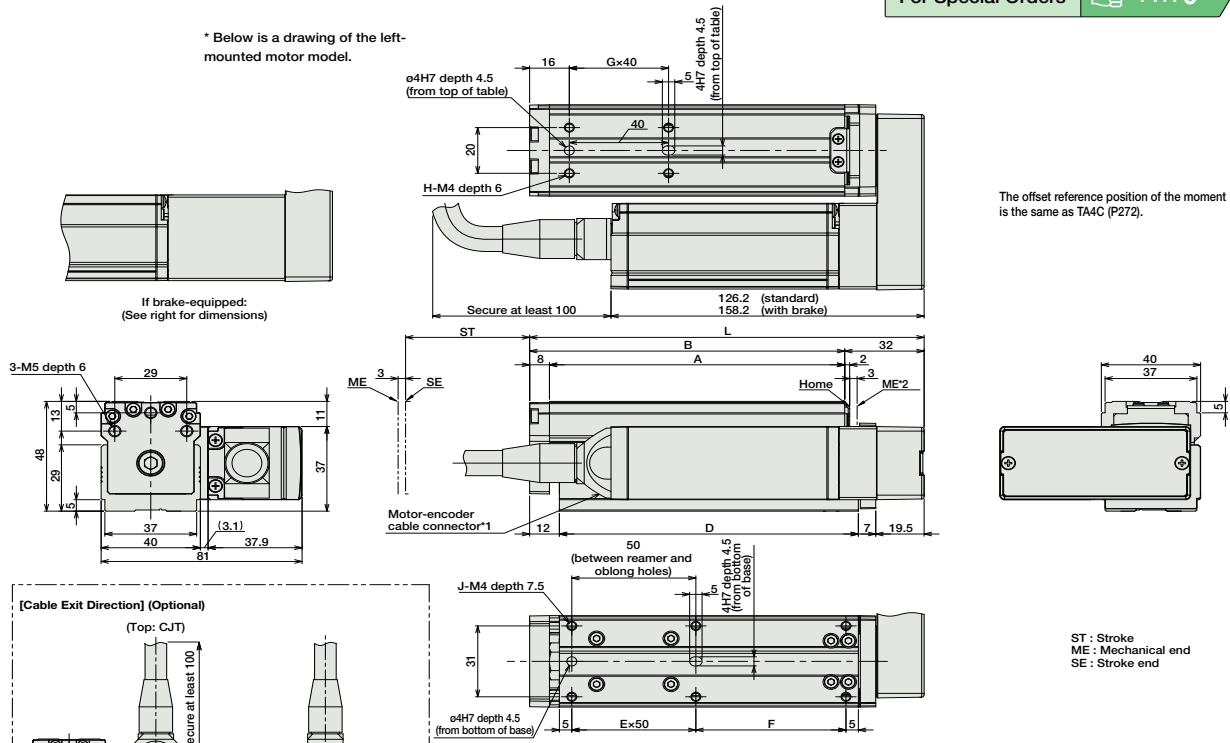


281 RCP3-TA4R

Dimensions

For Special Orders P. A-9

* Below is a drawing of the left-mounted motor model.



The offset reference position of the moment is the same as TA4C (P272).

ST : Stroke
ME : Mechanical end
SE : Stroke end

■ Dimensions/Weight by Stroke

* Adding a brake will increase the actuator's weight by 0.2kg.

Stroke	20	30	40	50	60	70	80	90	100
L	129	139	149	159	169	179	189	199	209
A	89	99	109	119	129	139	149	159	169
B	97	107	117	127	137	147	157	167	177
D	90.5	100.5	110.5	120.5	130.5	140.5	150.5	160.5	170.5
E	1	1	1	1	2	2	2	2	2
F	30.5	40.5	50.5	60.5	20.5	30.5	40.5	50.5	60.5
G	1	1	1	1	2	2	2	2	2
H	4	4	4	4	6	6	6	6	6
J	6	6	6	6	8	8	8	8	8
Weight (kg)	0.7	0.8	0.8	0.8	0.9	0.9	0.9	1.0	1.0

- *1 The motor-encoder cable is connected directly to the motor cover of the actuator. See page A-39 for details on cables.
- *2 When homing, the slider moves to the mechanical end; therefore, please watch for any interference with the surrounding objects.

② Compatible Controllers

The RCP3 series actuators can operate with the controllers below. Select the controller according to your usage.

Name	External View	Model	Description	Max. Positioning Points	Input Voltage	Power Supply Capacity	Standard Price	See Page
Solenoid Valve Type		PMEC-C-28PI-NP-2-①	Easy-to-use controller, even for beginners	3 points	AC100V AC200V	See P481	-	→ P477
		PSEP-C-28PI-NP-2-0	Operable with same signal as solenoid valve. Supports both single and double solenoid types. No homing necessary with simple absolute type.					→ P487
Splash-Proof Solenoid Valve Type		PSEP-CW-28PI-NP-2-0						
Positioner Type		PCON-C-28PI-NP-2-0	Positioning is possible for up to 512 points	512 points	DC24V	2A max.	-	→ P525
Safety-Compliant Positioner Type		PCON-CG-28PI-NP-2-0						
Pulse Train Input Type (Differential Line Driver)		PCON-PL-28PI-NP-2-0	Pulse train input type with different line driver support	(-)	DC24V	2A max.	-	→ P525
Pulse Train Input Type (Open Collector)		PCON-PO-28PI-NP-2-0	Pulse train input type with open collector support					
Serial Communication Type		PCON-SE-28PI-N-0-0	Dedicated to serial communication	64 points				
Field Network Type		RPCON-28P	Dedicated to field network	768 points				→ P503
Program Control Type		PSEL-C-1-28PI-NP-2-0	Programmed operation is possible. Operation is possible on up to 2 axes	1500 points				→ P557

* This is for the single-axis PSEL.
* ① is a placeholder for the power supply voltage (1: 100V, 2: 100~240V).

- Slider Type
- Mini
- Standard
- Controllers Integrated
- Rod Type
- Mini
- Standard
- Controllers Integrated
- Table/Arm /Flat Type
- Mini
- Standard
- Gripper/ Rotary Type
- Linear Servo Type
- Cleanroom Type
- Splash Proof
- Controllers
- PMEC /AMEC
- PSEP /ASEP
- ROBO NET
- ERC2
- PCON
- ACON
- SCON
- PSEL
- ASEL
- SSEL
- XSEL
- Pulse Motor
- Servo Motor (24V)
- Servo Motor (200V)
- Linear Servo Motor

RCP3-TA5R

ROBO Cylinder Table Type Side-Mounted Motor 55mm Width Pulse Motor Ball Screw

■ Configuration: **RCP3** - **TA5R** - **I** - **35P** - [] - [] - [] - [] - []

Series Type Encoder Motor Lead Stroke Compatible Controllers Cable Length Option

I: Incremental 35P: Pulse motor 35 size 10: 10mm 25: 25mm P1: PCON N: None See Options below
 * The simple absolute encoder is also considered type "I". 5: 5mm 100: 100mm (25mm pitch increments) RPCON P: 1m * Be sure to specify which side the motor is to be mounted (ML/MR).
 2.5: 2.5mm PSEL S: 3m M: 5m
 P3: PMEC PSEP X [] [] : Custom

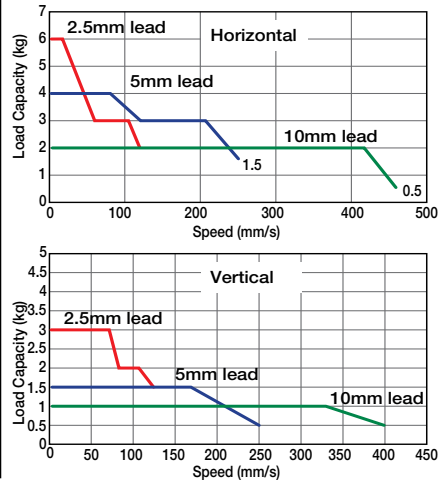
* See page Pre-35 for an explanation of the naming convention.



Technical References P. A-5

- POINT** Notes on Selection
- (1) Since the RCP3 series use a pulse motor, the load capacity decreases at high speeds. Check in the Speed vs. Load Capacity graph to see if your desired speed and load capacity are supported.
 - (2) Please note that the maximum speed is different when used horizontally versus vertically.
 - (3) The load capacity is based on operation at an acceleration of 0.3G (0.2G for the 2.5mm-lead model, or when used vertically). This is the upper limit of the acceleration.

■ Speed vs. Load Capacity
 Due to the characteristics of the Pulse motor, the RCP3 series' load capacity decreases at high speeds. In the table below, check if your desired speed and load capacity are supported.



Actuator Specifications

■ Lead and Load Capacity

Model	Lead (mm)	Max. Load Capacity		Maximum Push Force (N)	Stroke (mm)
		Horizontal (kg)	Vertical (kg)		
RCP3-TA5R-I-35P-10-①-②-③-④	10	~ 2	~ 1	34	25~100 (25mm increments)
RCP3-TA5R-I-35P-5-①-②-③-④	5	~ 4	~ 1.5	68	
RCP3-TA5R-I-35P-2.5-①-②-③-④	2.5	~ 6	~ 3	136	

Legend ① Stroke ② Compatible controller ③ Cable length ④ Options

■ Stroke and Maximum Speed

Lead	Stroke	25 ~ 100 (25mm increments)
		10
5		250
2.5		125

* The values enclosed in "< >" apply to vertical usage. (Unit: mm/s)

① Stroke List

Stroke (mm)	Standard Price
25	-
50	-
75	-
100	-

③ Cable List

Type	Cable Symbol	Standard Price
Standard (Robot Cables)	P (1m)	-
	S (3m)	-
	M (5m)	-
Special Lengths	X06 (6m) ~ X10 (10m)	-
	X11 (11m) ~ X15 (15m)	-
	X16 (16m) ~ X20 (20m)	-

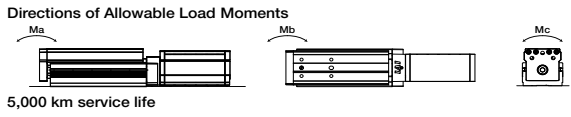
* The standard cable is the motor-encoder integrated robot cable.
 * See page A-39 for cables for maintenance.

④ Option List

Name	Option Code	See Page	Standard Price
Brake	B	→ A-25	-
Cable exit direction (Top)	CJT	→ A-25	-
Cable exit direction (Outside)	CJO		
Cable exit direction (Bottom)	CJB		
Left-Mounted Motor (Standard)	ML	→ A-33	-
Right-Mounted Motor	MR	→ A-33	-
Reversed-home	NM	→ A-33	-

Actuator Specifications

Item	Description
Drive System	Ball screw ø8mm C10 grade
Positioning Repeatability	±0.02mm
Lost Motion	0.1mm or less
Base	Material: Aluminum (special alumite treated)
Allowable Static Load Moment	Ma: 25.5 N·m Mb: 36.5 N·m Mc: 56.1 N·m
Allowable Dynamic Load Moment	Ma: 6.57 N·m Mb: 9.32 N·m Mc: 14.32 N·m
Overhang Load Length	Within the load moment range
Ambient Operating Temp./Humidity	0~40°C, 85% RH or less (non-condensing)



283 RCP3-TA5R

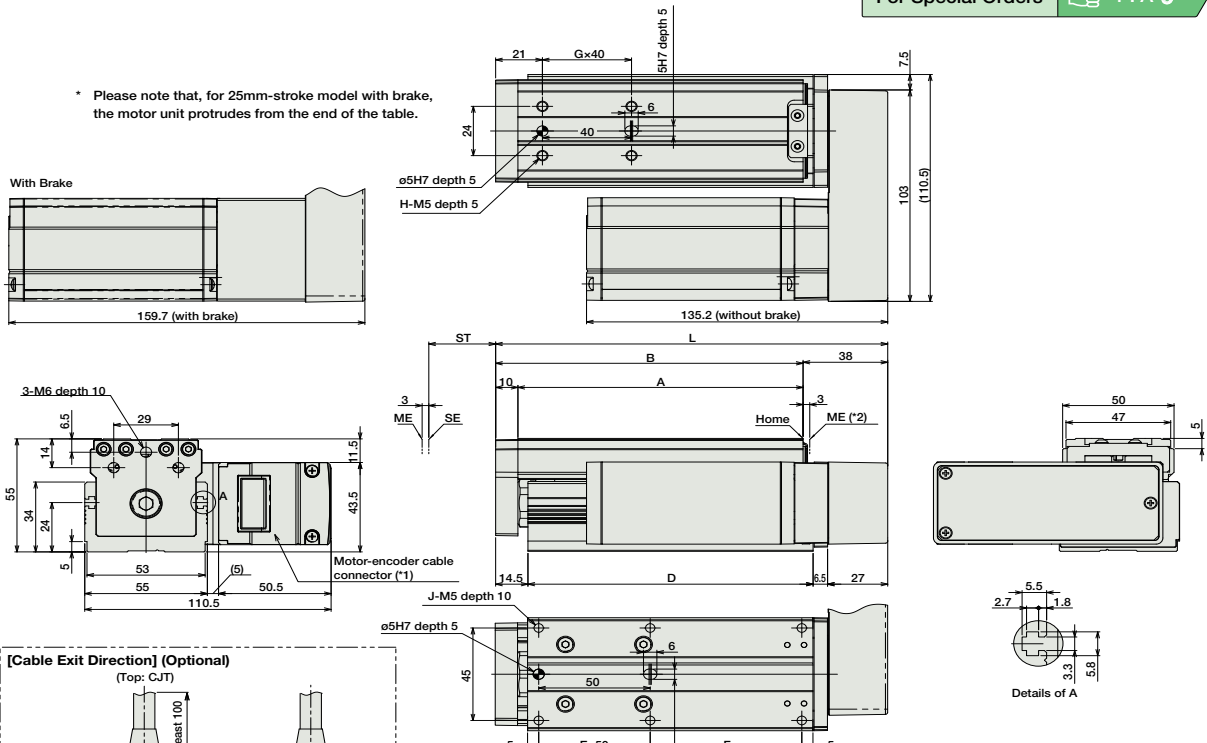
- Slider Type
- Mini
- Standard
- Controllers Integrated
- Rod Type
- Mini
- Standard
- Controllers Integrated
- Table/Arm/Flat Type
- Mini
- Standard
- Gripper/Rotary Type
- Linear Servo Type
- Cleanroom Type
- Splash Proof
- Controllers
- PMEC/AMEC
- PSEP/ASEP
- ROBO NET
- ERC2
- PCON
- ACON
- SCON
- PSEL
- ASEL
- SSEL
- XSEL

- Pulse Motor
- Servo Motor (24V)
- Servo Motor (200V)
- Linear Servo Motor

Dimensions

For Special Orders P. A-9

* Please note that, for 25mm-stroke model with brake, the motor unit protrudes from the end of the table.



■ Dimensions/Weight by Stroke * Adding a brake will increase the weight by 0.3kg.

Stroke	25	50	75	100
L	151	176	201	226
A	103	128	153	178
B	113	138	163	188
D	103	128	153	178
E	1	1	2	2
F	43	68	43	68
G	1	1	2	2
H	4	4	6	6
J	6	6	8	8
Weight (kg)	1.4	1.6	1.7	1.9

(*1) The motor-encoder cable is provided as an integrated cable. (see page A-39)
 (*2) After homing, the slider moves to the ME; therefore, please watch for any interference with the surrounding objects.
 ME: Mechanical end
 SE: Stroke end

② Compatible Controllers

The RCP3 series actuators can operate with the controllers below. Select the controller according to your usage.

Name	External View	Model	Description	Max. Positioning Points	Input Voltage	Power Supply Capacity	Standard Price	See Page
Solenoid Valve Type		PMEC-C-35PI-NP-2-①	Easy-to-use controller, even for beginners	3 points	AC100V AC200V	See P481	-	→ P477
		PSEP-C-35PI-NP-2-0	Operable with same signal as solenoid valve. Supports both single and double solenoid types. No homing necessary with simple absolute type.					→ P487
Splash-Proof Solenoid Valve Type		PSEP-CW-35PI-NP-2-0						
Positioner Type		PCON-C-35PI-NP-2-0	Positioning is possible for up to 512 points	512 points				
Safety-Compliant Positioner Type		PCON-CG-35PI-NP-2-0						
Pulse Train Input Type (Differential Line Driver)		PCON-PL-35PI-NP-2-0	Pulse train input type with differential line driver support	(-)	DC24V	2A max.		→ P525
Pulse Train Input Type (Open Collector)		PCON-PO-35PI-NP-2-0	Pulse train input type with open collector support					
Serial Communication Type		PCON-SE-35PI-N-0-0	Dedicated to serial communication	64 points				
Field Network Type		RPCON-35P	Dedicated to field network	768 points				→ P503
Program Control Type		PSEL-C-1-35PI-NP-2-0	Programmed operation is possible Operation is possible on up to 2 axes	1500 points				→ P557

* This is for the single-axis PSEL.
 * ① is a placeholder for the power supply voltage (1: 100V, 2: 100~240V).

- Slider Type
- Mini
- Standard
- Controllers Integrated
- Rod Type
- Mini
- Standard
- Controllers Integrated
- Table/Arm /Flat Type
- Mini
- Standard
- Gripper/ Rotary Type
- Linear Servo Type
- Cleanroom Type
- Splash Proof
- Controllers
- PMEC /AMEC
- PSEP /ASEP
- ROBO NET
- ERC2
- PCON
- ACON
- SCON
- PSEL
- ASEL
- SSEL
- XSEL
- Pulse Motor
- Servo Motor (24V)
- Servo Motor (200V)
- Linear Servo Motor

RCP3-TA6R

ROBO Cylinder Table Type Side-Mounted Motor 65mm Width Pulse Motor Ball Screw

■ Configuration: **RCP3** — **TA6R** — **I** — **42P** — — — — —

Series — Type — Encoder — Motor — Lead — Stroke — Compatible Controllers — Cable Length — Option

I: Incremental
* The simple absolute encoder is also considered type "I".

42P: Pulse motor
42 □ size

Lead: 12: 12mm
6: 6mm
3: 3mm

Stroke: 25: 25mm
150: 150mm (25mm pitch increments)

P1: PCON
RPOON
PSEL
P3: PMEC
PSEP

N: None
P: 1m
S: 3m
M: 5m
X □ □: Custom

See Options below
* Be sure to specify which side the motor is to be mounted (ML/MR).

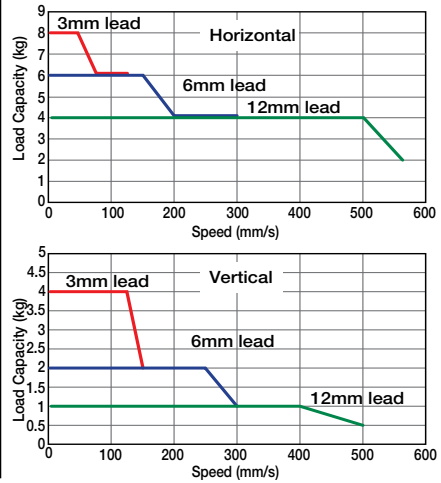
* See page Pre-35 for an explanation of the naming convention.



Technical References P. A-5

- POINT**
Notes on Selection
- (1) Since the RCP3 series use a pulse motor, the load capacity decreases at high speeds. Check in the Speed vs. Load Capacity graph to see if your desired speed and load capacity are supported.
 - (2) Please note that the maximum speed is different when used horizontally versus vertically.
 - (3) The load capacity is based on operation at an acceleration of 0.3G (0.2G for the 3mm-lead model, or when used vertically). This is the upper limit of the acceleration.

■ Speed vs. Load Capacity
Due to the characteristics of the Pulse motor, the RCP3 series' load capacity decreases at high speeds. In the table below, check if your desired speed and load capacity are supported.



Actuator Specifications

■ Lead and Load Capacity

Model	Lead (mm)	Max. Load Capacity		Maximum Push Force (N)	Stroke (mm)
		Horizontal (kg)	Vertical (kg)		
RCP3-TA6R-I-42P-12-①-②-③-④	12	~ 4	~ 1	47	25~150 (25mm increments)
RCP3-TA6R-I-42P-6-①-②-③-④	6	~ 6	~ 2	95	
RCP3-TA6R-I-42P-3-①-②-③-④	3	~ 8	~ 4	189	

Legend ① Stroke ② Compatible controller ③ Cable length ④ Options

■ Stroke and Maximum Speed

Lead	Stroke	25 ~ 150 (25mm increments)
		25
6	6	300
3	3	150

* The values enclosed in "<" ">" apply to vertical usage. (Unit: mm/s)

① Stroke List

Stroke (mm)	Standard Price
25	-
50	-
75	-
100	-
125	-
150	-

③ Cable List

Type	Cable Symbol	Standard Price
Standard (Robot Cables)	P (1m)	-
	S (3m)	-
	M (5m)	-
Special Lengths	X06 (6m) ~ X10 (10m)	-
	X11 (11m) ~ X15 (15m)	-
	X16 (16m) ~ X20 (20m)	-
		-

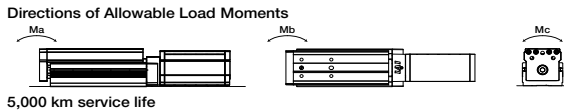
* The standard cable is the motor-encoder integrated robot cable.
* See page A-39 for cables for maintenance.

④ Option List

Name	Option Code	See Page	Standard Price
Brake	B	→ A-25	-
Cable exit direction (Top)	CJT	→ A-25	-
Cable exit direction (Outside)	CJO		
Cable exit direction (Bottom)	CJB		
Left-Mounted Motor (Standard)	ML	→ A-33	-
Right-Mounted Motor	MR	→ A-33	-
Reversed-home	NM	→ A-33	-

Actuator Specifications

Item	Description
Drive System	Ball screw ø10mm C10 grade
Positioning Repeatability	±0.02mm
Lost Motion	0.1mm or less
Base	Material: Material: Aluminum (special alumite treated)
Allowable Static Load Moment	Ma: 29.4 N·m Mb: 42.0 N·m Mc: 74.1 N·m
Allowable Dynamic Load Moment	Ma: 7.26 N·m Mb: 10.3 N·m Mc: 18.25 N·m
Overhang Load Length	Within the load moment range
Ambient Operating Temp./Humidity	0~40°C, 85% RH or less (non-condensing)

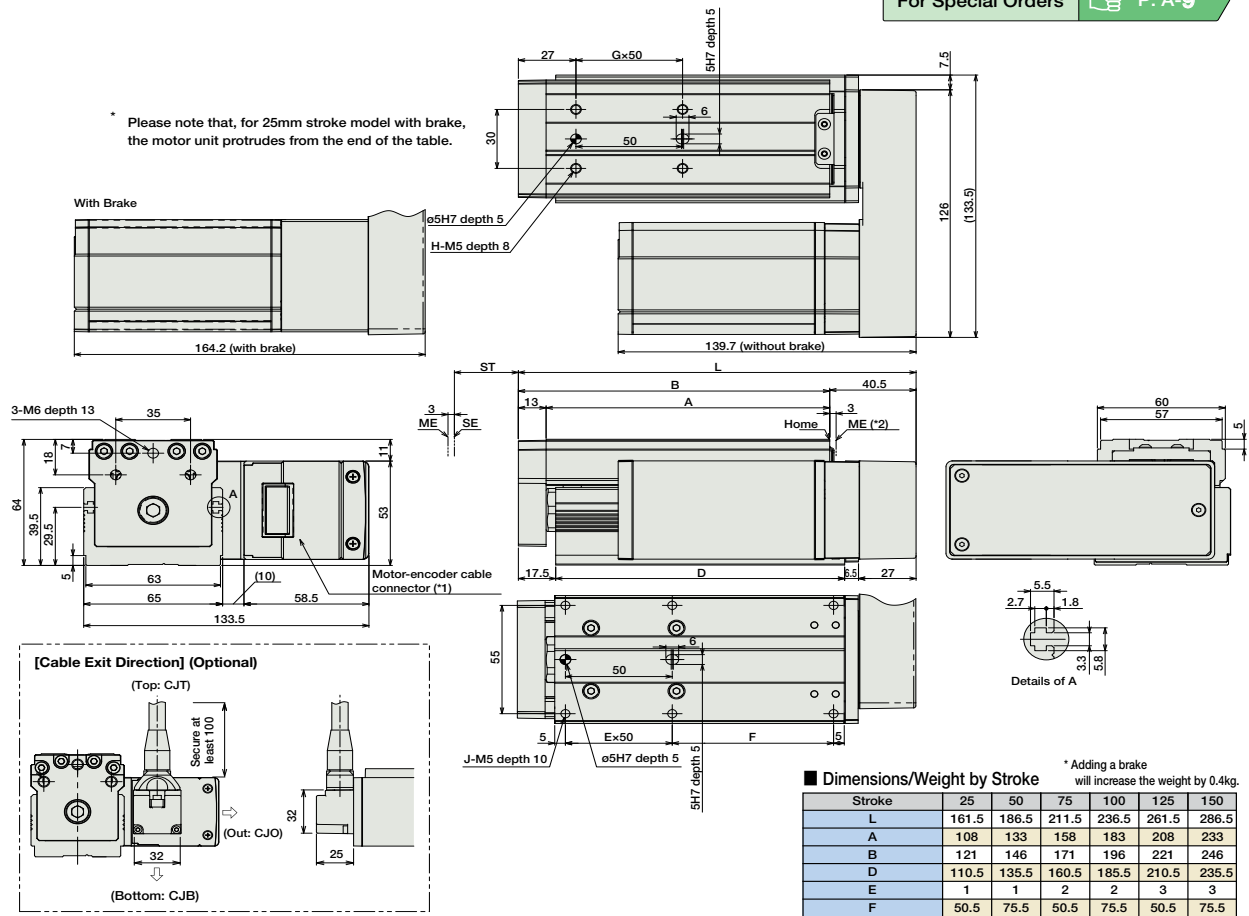


285 RCP3-TA6R

- Slider Type
- Mini
- Standard
- Controllers Integrated
- Rod Type
- Mini
- Standard
- Controllers Integrated
- Table/Arm /Flat Type
- Mini
- Standard
- Gripper/ Rotary Type
- Linear Servo Type
- Cleanroom Type
- Splash Proof
- Controllers
- PMEC /AMEC
- PSEP /ASEP
- ROBO NET
- ERC2
- PCON
- ACON
- SCON
- PSEL
- ASEL
- SSEL
- XSEL
- Pulse Motor
- Servo Motor (24V)
- Servo Motor (200V)
- Linear Servo Motor

Dimensions

For Special Orders P. A-9



(*1) The motor-encoder cable is provided as an integrated cable. (see page A-39)
 (*2) After homing, the slider moves to the ME; therefore, please watch for any interference with the surrounding objects.
 ME: Mechanical end SE: Stroke end

■ Dimensions/Weight by Stroke * Adding a brake will increase the weight by 0.4kg.

Stroke	25	50	75	100	125	150
L	161.5	186.5	211.5	236.5	261.5	286.5
A	108	133	158	183	208	233
B	121	146	171	196	221	246
D	110.5	135.5	160.5	185.5	210.5	235.5
E	1	1	2	2	3	3
F	50.5	75.5	50.5	75.5	50.5	75.5
G	1	1	2	2	3	3
H	4	4	6	6	8	8
J	6	6	8	8	10	10
Weight (kg)	2.1	2.3	2.5	2.7	2.9	3.1

② Compatible Controllers

The RCP3 series actuators can operate with the controllers below. Select the controller according to your usage.

Name	External View	Model	Description	Max. Positioning Points	Input Voltage	Power Supply Capacity	Standard Price	See Page
Solenoid Valve Type		PMEC-C-42PI-NP-2-0 ⁽¹⁾	Easy-to-use controller, even for beginners	3 points	AC100V AC200V	See P481		→ P477
		PSEP-C-42PI-NP-2-0	Operable with same signal as solenoid valve. Supports both single and double solenoid types. No homing necessary with simple absolute type.					→ P487
Splash-Proof Solenoid Valve Type		PSEP-CW-42PI-NP-2-0						
Positioner Type		PCON-C-42PI-NP-2-0	Positioning is possible for up to 512 points	512 points			-	
Safety-Compliant Positioner Type		PCON-CG-42PI-NP-2-0						
Pulse Train Input Type (Differential Line Driver)		PCON-PL-42PI-NP-2-0	Pulse train input type with different line driver support	(-)	DC24V	2A max.	-	→ P525
Pulse Train Input Type (Open Collector)		PCON-PO-42PI-NP-2-0	Pulse train input type with open collector support					
Serial Communication Type		PCON-SE-42PI-N-0-0	Dedicated to serial communication	64 points				
Field Network Type		RPOCN-42P	Dedicated to field network	768 points				→ P503
Program Control Type		PSEL-C-1-42PI-NP-2-0	Programmed operation is possible. Operation is possible on up to 2 axes	1500 points				→ P557

* This is for the single-axis PSEL.
 * ① is a placeholder for the power supply voltage (1: 100V, 2: 100~240V).



- Slider Type
- Mini
- Standard
- Controllers Integrated
- Rod Type
- Mini
- Standard
- Controllers Integrated
- Table/Arm /Flat Type
- Mini
- Standard
- Gripper/ Rotary Type
- Linear Servo Type
- Cleanroom Type
- Splash Proof
- Controllers
- PMEC /AMEC
- PSEP /ASEP
- ROBO NET
- ERC2
- PCON
- ACON
- SCON
- PSEL
- ASEL
- SSEL
- XSEL
- Pulse Motor
- Servo Motor (24V)
- Servo Motor (200V)
- Linear Servo Motor

RCP3-TA7R

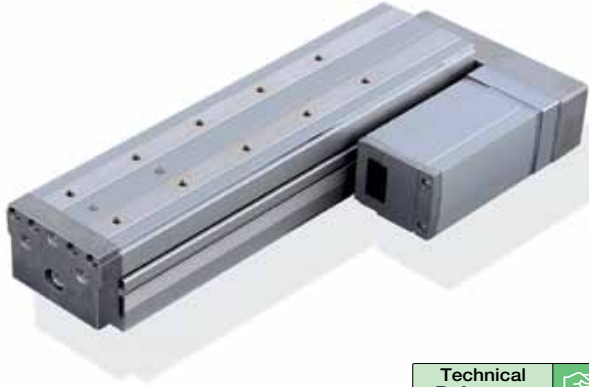
ROBO Cylinder Table Type Side-Mounted Motor 75mm Width Pulse Motor Ball Screw

■ Configuration: **RCP3** — **TA7R** — **I** — **42P** — — — — —

Series — Type — Encoder — Motor — Lead — Stroke — Compatible Controllers — Cable Length — Option

I: Incremental * The simple absolute encoder is also considered type "I".
 42P: Pulse motor 42 □ size
 12: 12mm 6: 6mm 3: 3mm
 25: 25mm
 200: 200mm (25mm pitch increments)
 P1: PCON RPCON PSEL P3: PMEC PSEP
 N: None P: 1m S: 3m M: 5m X □ □: Custom
 See Options below * Be sure to specify which side the motor is to be mounted (ML/MR).

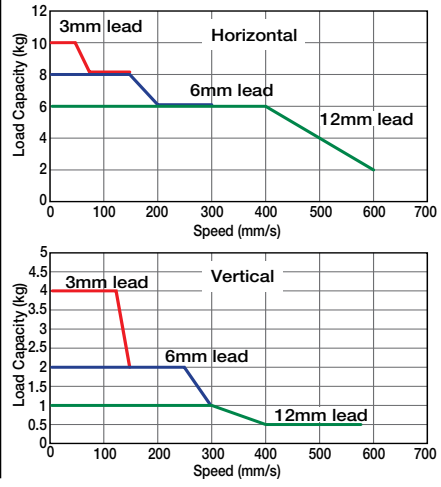
* See page Pre-35 for an explanation of the naming convention.



Technical References P. A-5

- POINT** Notes on Selection
- (1) Since the RCP3 series use a pulse motor, the load capacity decreases at high speeds. Check in the Speed vs. Load Capacity graph below to see if your desired speed and load capacity are supported.
 - (2) Please note that the maximum speed is different when used horizontally versus vertically.
 - (3) The load capacity is based on operation at an acceleration of 0.3G (0.2G for the 3mm-lead model, or when used vertically). This is the upper limit of the acceleration.

■ Speed vs. Load Capacity
 Due to the characteristics of the Pulse motor, the RCP3 series' load capacity decreases at high speeds. In the table below, check if your desired speed and load capacity are supported.



Actuator Specifications

■ Lead and Load Capacity

Model	Lead (mm)	Max. Load Capacity		Maximum Push Force (N)	Stroke (mm)
		Horizontal (kg)	Vertical (kg)		
RCP3-TA7R-I-42P-12-①-②-③-④	12	~ 6	~ 1	47	25~200 (25mm increments)
RCP3-TA7R-I-42P-6-①-②-③-④	6	~ 8	~ 2	95	
RCP3-TA7R-I-42P-3-①-②-③-④	3	~ 10	~ 4	189	

Legend ① Stroke ② Compatible controller ③ Cable length ④ Options

■ Stroke and Maximum Speed

Lead	Stroke	
	25 ~ 200 (25mm increments)	600 <580>
12	600	<580>
6	300	
3	150	

* The values enclosed in "<" ">" apply to vertical usage. (Unit: mm/s)

① Stroke List

Stroke (mm)	Standard Price
25	-
50	-
75	-
100	-
125	-
150	-
175	-
200	-

③ Cable List

Type	Cable Symbol	Standard Price
Standard (Robot Cables)	P (1m)	-
	S (3m)	-
	M (5m)	-
Special Lengths	X06 (6m) ~ X10 (10m)	-
	X11 (11m) ~ X15 (15m)	-
	X16 (16m) ~ X20 (20m)	-
		-

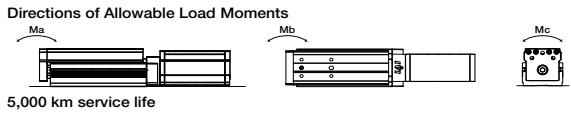
* The standard cable is the motor-encoder integrated robot cable.
 * See page A-39 for cables for maintenance.

④ Option List

Name	Option Code	See Page	Standard Price
Brake	B	→ A-25	-
Cable exit direction (Top)	CJT	→ A-25	-
Cable exit direction (Outside)	CJO		
Cable exit direction (Bottom)	CJB		
Left-Mounted Motor (Standard)	ML	→ A-33	-
Right-Mounted Motor	MR	→ A-33	-
Reversed-home	NM	→ A-33	-

Actuator Specifications

Item	Description
Drive System	Ball screw ø10mm C10 grade
Positioning Repeatability	±0.02mm
Lost Motion	0.1mm or less
Base	Material: Material: Aluminum (special alumite treated)
Allowable Static Load Moment	Ma: 42.6 N·m Mb: 60.8 N·m Mc: 123.2 N·m
Allowable Dynamic Load Moment	Ma: 9.91 N·m Mb: 14.13 N·m Mc: 28.65 N·m
Overhang Load Length	Within the load moment range
Ambient Operating Temp./Humidity	0~40°C, 85% RH or less (non-condensing)



287 RCP3-TA7R

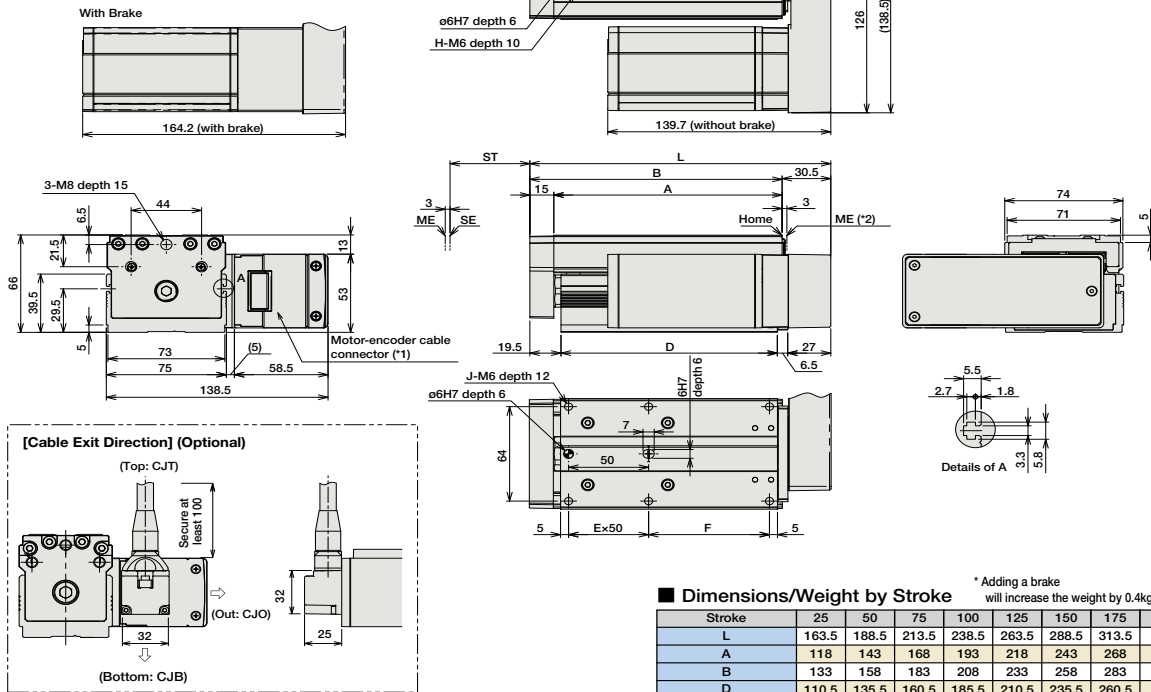
- Slider Type
- Mini
- Standard
- Controllers Integrated
- Rod Type
- Mini
- Standard
- Controllers Integrated
- Table/Arm /Flat Type
- Mini
- Standard
- Gripper/ Rotary Type
- Linear Servo Type
- Cleanroom Type
- Splash Proof
- Controllers
- PMEC /AMEC
- PSEP /ASEP
- ROBO NET
- ERC2
- PCON
- ACON
- SDON
- PSEL
- ASEL
- SSEL
- XSEL

- Pulse Motor
- Servo Motor (24V)
- Servo Motor (200V)
- Linear Servo Motor

Dimensions

For Special Orders P. A-9

* Please note that, for 25mm stroke model with brake, the motor unit protrudes from the end of the table.



■ Dimensions/Weight by Stroke * Adding a brake will increase the weight by 0.4kg.

Stroke	25	50	75	100	125	150	175	200
L	163.5	188.5	213.5	238.5	263.5	288.5	313.5	338.5
A	118	143	168	193	218	243	268	293
B	133	158	183	208	233	258	283	308
D	110.5	135.5	160.5	185.5	210.5	235.5	260.5	285.5
E	1	1	2	2	3	3	4	4
F	50.5	75.5	50.5	75.5	50.5	75.5	50.5	75.5
G	1	1	2	2	3	3	4	4
H	4	4	6	6	8	8	10	10
J	6	6	8	8	10	10	12	12
Weight (kg)	2.4	2.6	2.8	3.1	3.3	3.5	3.7	3.9

(*1) The motor-encoder cable is provided as an integrated cable. (see page A-39)
 (*2) After homing, the slider moves to the ME; therefore, please watch for any interference with the surrounding objects.
 ME: Mechanical end
 SE: Stroke end

② Compatible Controllers

The RCP3 series actuators can operate with the controllers below. Select the controller according to your usage.

Name	External View	Model	Description	Max. Positioning Points	Input Voltage	Power Supply Capacity	Standard Price	See Page
Solenoid Valve Type		PMEC-C-42PI-NP-2-0 ⁽¹⁾	Easy-to-use controller, even for beginners	3 points	AC100V AC200V	See P481	-	→ P477
Splash-Proof Solenoid Valve Type		PSEP-C-42PI-NP-2-0	Operable with same signal as solenoid valve. Supports both single and double solenoid types. No homing necessary with simple absolute type.					
Positioner Type		PCON-C-42PI-NP-2-0	Positioning is possible for up to 512 points	512 points	DC24V	2A max.	-	→ P525
Safety-Compliant Positioner Type		PCON-CG-42PI-NP-2-0						
Pulse Train Input Type (Differential Line Driver)		PCON-PL-42PI-NP-2-0	Pulse train input type with differential line driver support	(-)	DC24V	2A max.	-	→ P525
Pulse Train Input Type (Open Collector)		PCON-PO-42PI-NP-2-0	Pulse train input type with open collector support					
Serial Communication Type		PCON-SE-42PI-N-0-0	Dedicated to serial communication	64 points	DC24V	2A max.	-	-
Field Network Type		RPCON-42P	Dedicated to field network	768 points	DC24V	2A max.	-	→ P503
Program Control Type		PSEL-C-1-42PI-NP-2-0	Programmed operation is possible. Operation is possible on up to 2 axes	1500 points	DC24V	2A max.	-	→ P557

* This is for the single-axis PSEL.
 * (1) is a placeholder for the power supply voltage (1: 100V, 2: 100~240V).

- Slider Type
- Mini
- Standard
- Controllers Integrated
- Rod Type
- Mini
- Standard
- Controllers Integrated
- Table/Arm /Flat Type
- Mini
- Standard
- Gripper/ Rotary Type
- Linear Servo Type
- Cleanroom Type
- Splash Proof
- Controllers
- PMEC /AMEC
- PSEP /ASEP
- ROBO NET
- ERC2
- PCON
- ACON
- SCON
- PSEL
- ASEL
- SSEL
- XSEL
- Pulse Motor
- Servo Motor (24V)
- Servo Motor (200V)
- Linear Servo Motor

RCA2-TCA3N

ROBO Cylinder Mini Table Type Short-Length Compact Model 32mm Width
24V Servo Motor Lead Screw

■ Configuration: **RCA2** — **TCA3N** — **I** — **10** — **30** — **A1** — **N** — **K2**

Series — Type — Encoder — Motor — Lead — Stroke — Compatible Controllers — Cable Length — Option

I: Incremental
* The simple absolute encoder is also considered type "I".

10: 10W Servo motor

4S: 4mm lead screw
2S: 2mm lead screw
1S: 1mm lead screw

30: 30mm

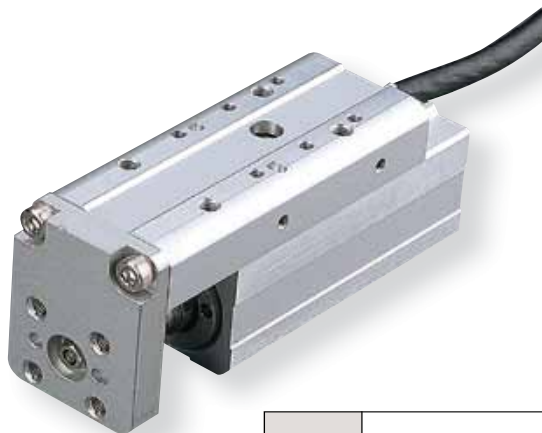
A1: ACON
RACON
ASEL
A3: AMEC
ASEP

N: None
P: 1m
S: 3m
M: 5m
X □ □: Custom

K2: Connector cable exit direction
LA: Power-saving

* See page Pre-35 for an explanation of the naming convention.

Power-saving



Technical References P. A-5

POINT
Notes on Selection

(1) The load capacity is based on operation at an acceleration of 0.2G. This is the upper limit of the acceleration.

(2) This model uses a Lead screw, therefore please ensure that your usage is appropriate for its characteristics. (See page Pre-42 for more information.)

Actuator Specifications										
Lead and Load Capacity					Stroke and Maximum Speed					
Model	Motor Output (W)	Feed Screw	Lead (mm)	Max. Load Capacity		Rated Thrust (N)	Positioning Repeatability (mm)	Stroke (mm)	Stroke 30 (mm)	
				Horizontal (kg)	Vertical (kg)				Lead	30 (mm)
RCA2-TCA3N-I-10-4S-30-①-②-③	10	Lead screw	4	0.25	0.125	25.1	±0.05	30 (Fixed)	4	200
RCA2-TCA3N-I-10-2S-30-①-②-③			2	0.5	0.25	50.3			2	100
RCA2-TCA3N-I-10-1S-30-①-②-③			1	1	0.5	100.5			1	50

Legend ① Compatible controller ② Cable length ③ Options (Unit: mm/s)

Stroke (mm)	Standard Price
30	-

Type	Cable Symbol	Standard Price
Standard (Robot Cables)	P (1m)	-
	S (3m)	-
	M (5m)	-
Special Lengths	X06 (6m) ~ X10 (10m)	-
	X11 (11m) ~ X15 (15m)	-
	X16 (16m) ~ X20 (20m)	-
		-

* The RCA2 comes standard with a robot cable.
* See page A-39 for cables for maintenance.

Name	Option Code	See Page	Standard Price
Connector cable exit direction	K2	→ A-32	-
Power-saving	LA	→ A-32	-

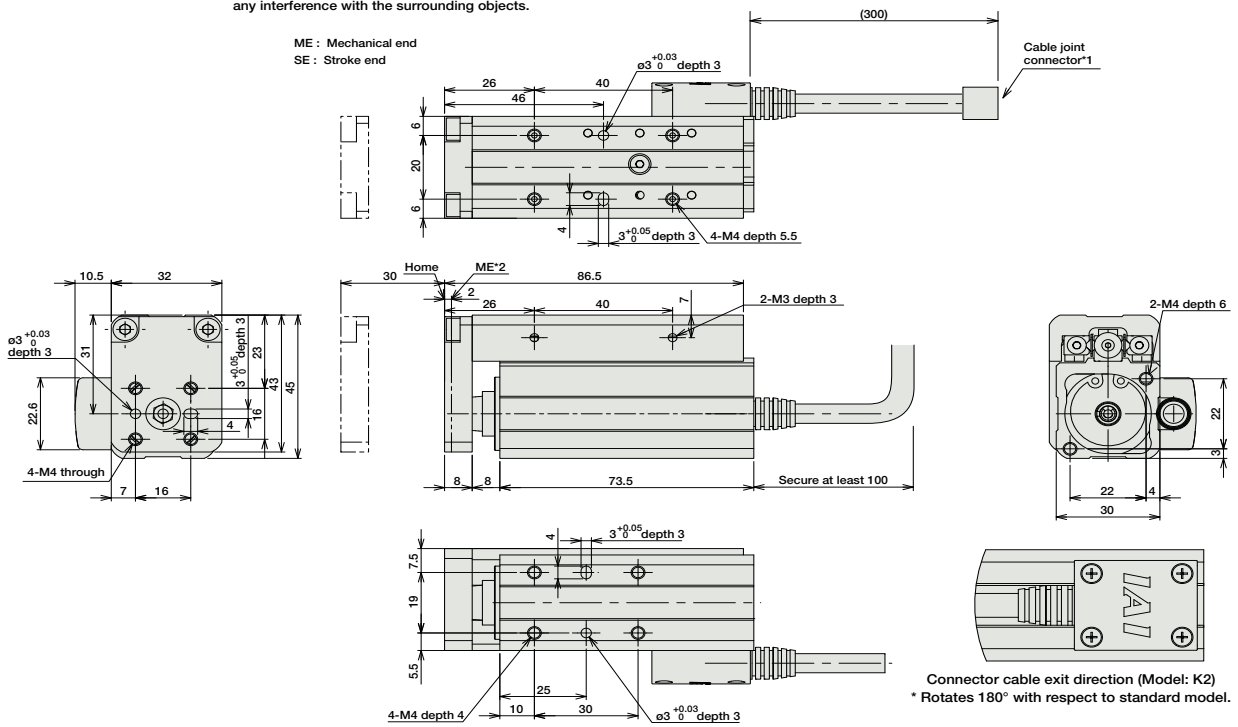
Item	Description
Drive System	Lead screw ø4mm C10 grade
Lost Motion	0.3mm or less (initial value)
Frame	Material: Aluminum (white alumite treated)
Allowable Dynamic Moment (Note)	Ma: 9.9 N·m Mb: 9.9 N·m Mc: 3.3 N·m
Ambient Operating Temp./Humidity	0~40°C, 85% RH or less (non-condensing)
Service Life	Horizontal: 10 million cycles Vertical: 5 million cycles

(Note) Based on a 5,000 km service life set for the guide.

Dimensions

For Special Orders P. A-9

- *1 The motor-encoder cable is connected here. See page A-39 for details on cables.
- *2 When homing, the table moves to the mechanical end; therefore, please watch for any interference with the surrounding objects.



■ Dimensions/Weight by Stroke

Stroke	30
Weight (kg)	0.37

① Compatible Controllers

The RCA2 series actuators can operate with the controllers below. Select the controller according to your usage.

Name	External View	Model	Description	Max. Positioning Points	Input Voltage	Power Supply Capacity	Standard Price	See Page
Solenoid Valve Type		AMEC-C-10①-NP-2-1	Easy-to-use controller, even for beginners	3 points	AC100V	2.4A rated	-	→ P477
		ASEP-C-10①-NP-2-0	Operable with same signal as solenoid valve. Supports both single and double solenoid types. No homing necessary with simple absolute type.					
Splash-Proof Solenoid Valve Type		ASEP-CW-10①-NP-2-0					-	→ P487
Positioner Type		ACON-C-10①-NP-2-0	Positioning is possible for up to 512 points	512 points	DC24V	(Standard) 1.3A rated 4.4A max.	-	→ P535
Safety-Compliant Positioner Type		ACON-CG-10①-NP-2-0						
Pulse Train Input Type (Differential Line Driver)		ACON-PL-10①-NP-2-0	Pulse train input type with differential line driver support	(-)	DC24V	(Power-saving) 1.3A rated 2.5A max.	-	→ P503
Pulse Train Input Type (Open Collector)		ACON-PO-10①-NP-2-0	Pulse train input type with open collector support					
Serial Communication Type		ACON-SE-10①-N-0-0	Dedicated to serial communication	64 points			-	
Field Network Type		RACON-10①	Dedicated to field network	768 points			-	→ P503
Program Control Type		ASEL-C-1-10①-NP-2-0	Programmed operation is possible. Operation is possible on up to 2 axes	1500 points			-	→ P567

* This is for the single-axis ASEL.
* ① is a placeholder for the code "LA" if the power-saving option is specified.



RCA2-TCA3N **290**

- Slider Type
- Mini
- Standard
- Controllers Integrated
- Rod Type
- Mini
- Standard
- Controllers Integrated
- Table/Arm /Flat Type
- Mini
- Standard
- Gripper/ Rotary Type
- Linear Servo Type
- Cleanroom Type
- Splash Proof
- Controllers
- PMEC /AMEC
- PSEP /ASEP
- ROBO NET
- ERC2
- PCON
- ACON
- SCON
- PSEL
- ASEL
- SSEL
- XSEL
- Pulse Motor
- Servo Motor (24V)
- Servo Motor (200V)
- Linear Servo Motor

RCA2-TCA4N

ROBO Cylinder Mini Table Type Short-Length Compact Model 36mm Width
24V Servo Motor Ball Screw/Lead Screw Models

■ Configuration: **RCA2** — **TCA4N** — **I** — **20** — — **30** — — —

Series — Type — Encoder — Motor — Lead — Stroke — Compatible Controllers — Cable Length — Option

I: Incremental
* The simple absolute encoder is also considered type "I".

20: 20W Servo motor

6: 6mm ball screw
4: 4mm ball screw
2: 2mm ball screw
6S: 6mm lead screw
4S: 4mm lead screw
2S: 2mm lead screw

30: 30mm

A1: ACON
RACON
ASEL
A3: AMEC
ASEP

N: None
P: 1m
S: 3m
M: 5m
X : Custom

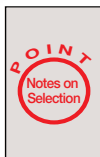
K2: Connector cable exit direction
LA: Power-saving

* See page Pre-35 for an explanation of the naming convention.



Power-saving

Technical References P. A-5



- (1) The load capacity is based on operation at an acceleration of 0.3G (0.2G for the 2mm-lead model, or when used vertically). This is the upper limit of the acceleration.
- (2) When using the Lead screw model, please ensure that your usage is appropriate for its characteristics. (See page Pre-42 for more information.)

Actuator Specifications

■ Lead and Load Capacity

Model	Motor Output (W)	Feed Screw	Lead (mm)	Max. Load Capacity		Rated Thrust (N)	Positioning Repeatability (mm)	Stroke (mm)
				Horizontal (kg)	Vertical (kg)			
RCA2-TCA4N-I-20-6-30-①-②-③	20	Ball screw	6	2	0.5	33.8	±0.02	30 (Fixed)
RCA2-TCA4N-I-20-4-30-①-②-③			4	3	0.75	50.7		
RCA2-TCA4N-I-20-2-30-①-②-③			2	6	1.5	101.5		
RCA2-TCA4N-I-20-6S-30-①-②-③	20	Lead screw	6	0.25	0.125	19.9	±0.05	30 (Fixed)
RCA2-TCA4N-I-20-4S-30-①-②-③			4	0.5	0.25	29.8		
RCA2-TCA4N-I-20-2S-30-①-②-③			2	1	0.5	59.7		

Legend ① Compatible controller ② Cable length ③ Options

■ Stroke and Maximum Speed

Lead	Stroke 30 (mm)	
	Ball screw	Lead screw
6	270 <220>	220
4	200	200
2	100	100

* The values enclosed in "<" ">" apply to vertical usage. (Unit: mm/s)

① Stroke List

Stroke (mm)	Standard Price	
	Feed Screw	
	Ball Screw Model	Lead Screw Model
30	-	-

② Cable List

Type	Cable Symbol	Standard Price
Standard (Robot Cables)	P (1m)	-
	S (3m)	-
	M (5m)	-
Special Lengths	X06 (6m) ~ X10 (10m)	-
	X11 (11m) ~ X15 (15m)	-
	X16 (16m) ~ X20 (20m)	-

* The RCA2 comes standard with a robot cable.
* See page A-39 for cables for maintenance.

③ Option List

Name	Option Code	See Page	Standard Price
Connector cable exit direction	K2	→ A-32	-
Power-saving	LA	→ A-32	-

Actuator Specifications

Item	Description
Drive System	Ball screw/Lead screw ø6mm C10 grade
Lost Motion	Ball screw: 0.1mm or less/Lead screw: 0.3mm or less (initial value)
Frame	Material: Aluminum (white alumite treated)
Allowable Dynamic Moment (Note)	Ma: 9.9 N·m Mb: 9.9 N·m Mc: 3.3 N·m
Ambient Operating Temp./Humidity	0~40°C, 85% RH or less (non-condensing)
Service Life / Lead Screw Model	Horizontal: 10 million cycles Vertical: 5 million cycles

(Note) Based on a 5,000 km service life set for the guide.

291

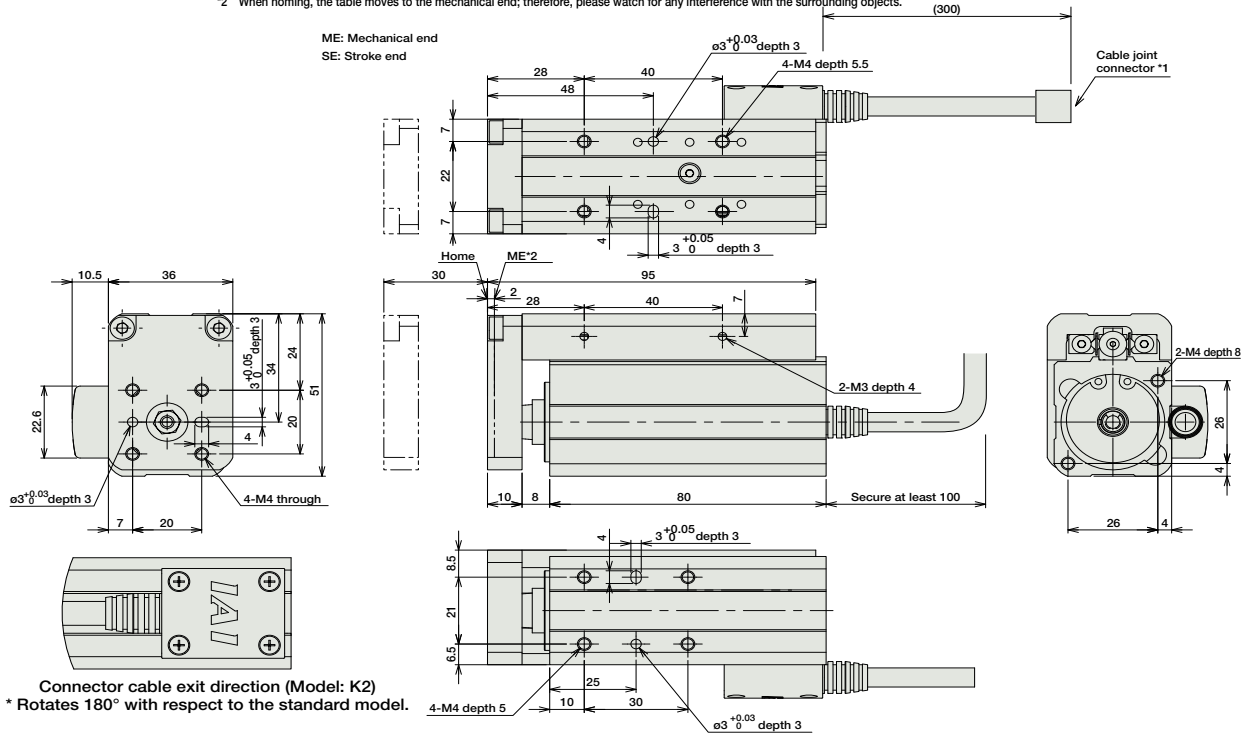
RCA2-TCA4N

- Slider Type
- Mini
- Standard
- Controllers Integrated
- Rod Type
- Mini
- Standard
- Controllers Integrated
- Table/Arm /Flat Type
- Mini
- Standard
- Gripper/ Rotary Type
- Linear Servo Type
- Cleanroom Type
- Splash Proof
- Controllers
- PMEC /AMEC
- PSEP /ASEP
- ROBO NET
- ERC2
- PCON
- ACON
- SCON
- PSEL
- ASEL
- SSEL
- XSEL
- Pulse Motor
- Servo Motor (24V)
- Servo Motor (200V)
- Linear Servo Motor

Dimensions

For Special Orders P. A-9

- *1 The motor-encoder cable is connected here. See page A-39 for details on cables.
- *2 When homing, the table moves to the mechanical end; therefore, please watch for any interference with the surrounding objects.



■ Dimensions/Weight by Stroke

Stroke	30
Weight (kg)	0.48

① Compatible Controllers

The RCA2 series actuators can operate with the controllers below. Select the controller according to your usage.

Name	External View	Model	Description	Max. Positioning Points	Input Voltage	Power Supply Capacity	Standard Price	See Page
Solenoid Valve Type		AMEC-C-20①-NP-2-1	Easy-to-use controller, even for beginners	3 points	AC100V	2.4A rated	-	→ P477
Splash-Proof Solenoid Valve Type		ASEP-C-20①-NP-2-0	Operable with same signal as solenoid valve. Supports both single and double solenoid types. No homing necessary with simple absolute type.				-	→ P487
Positioner Type		ACON-C-20①-NP-2-0	Positioning is possible for up to 512 points	512 points	DC24V	(Standard) 1.3A rated 4.4A max. (Power-saving) 1.3A rated 2.5A max.	-	→ P535
Safety-Compliant Positioner Type		ACON-CG-20①-NP-2-0					-	
Pulse Train Input Type (Differential Line Driver)		ACON-PL-20①-NP-2-0	Pulse train input type with differential line driver support	(-)	DC24V	(Standard) 1.3A rated 4.4A max. (Power-saving) 1.3A rated 2.5A max.	-	→ P503
Pulse Train Input Type (Open Collector)		ACON-PO-20①-NP-2-0	Pulse train input type with open collector support				-	
Serial Communication Type		ACON-SE-20①-N-0-0	Dedicated to serial communication	64 points	DC24V	(Standard) 1.3A rated 4.4A max. (Power-saving) 1.3A rated 2.5A max.	-	-
Field Network Type		RACON-20①	Dedicated to field network	768 points	DC24V	(Standard) 1.3A rated 4.4A max. (Power-saving) 1.3A rated 2.5A max.	-	→ P503
Program Control Type		ASEL-C-1-20①-NP-2-0	Programmed operation is possible Operation is possible on up to 2 axes	1500 points	DC24V	(Standard) 1.3A rated 4.4A max. (Power-saving) 1.3A rated 2.5A max.	-	→ P567

* This is for the single-axis ASEL.
* ① is a placeholder for the code "LA" if the power-saving option is specified.



RCA2-TCA4N **292**

- Slider Type
- Mini
- Standard
- Controllers Integrated
- Rod Type
- Mini
- Standard
- Controllers Integrated
- Table/Arm /Flat Type
- Mini
- Standard
- Gripper/ Rotary Type
- Linear Servo Type
- Cleanroom Type
- Splash Proof
- Controllers
- PMEC /AMEC
- PSEP /ASEP
- ROBO NET
- ERC2
- PCON
- ACON
- SCON
- PSEL
- ASEL
- SSEL
- XSEL
- Pulse Motor
- Servo Motor (24V)
- Servo Motor (200V)
- Linear Servo Motor

RCA2-TWA3N

ROBO Cylinder Mini Table Type Short-Length Wide Model 50mm Width
24V Servo Motor Lead Screw Model

■ Configuration: **RCA2** — **TWA3N** — **I** — **10** — — **30** — — —

Series — Type — Encoder — Motor — Lead — Stroke — Compatible Controllers — Cable Length — Option

I: Incremental
* The simple absolute encoder is also considered type "I".

10: 10W Servo motor

4S: 4mm lead screw
2S: 2mm lead screw
1S: 1mm lead screw

30: 30mm

A1: ACON
RACON
ASEL
A3: AMEC
ASEP

N: None
P: 1m
S: 3m
M: 5m
X : Custom

K2: Connector cable exit direction
LA: Power-saving

* See page Pre-35 for an explanation of the naming convention.



Power-saving

Technical References P. A-5

- POINT**
Notes on Selection
- (1) The load capacity is based on operation at an acceleration of 0.2G. This is the upper limit of the acceleration.
 - (2) This model uses a Lead screw, therefore please ensure that your usage is appropriate for its characteristics. (See page Pre-42 for more information.)

Actuator Specifications

Lead and Load Capacity

Model	Motor Output (W)	Feed Screw	Lead (mm)	Max. Load Capacity		Rated Thrust (N)	Positioning Repeatability (mm)	Stroke (mm)
				Horizontal (kg)	Vertical (kg)			
RCA2-TWA3N-I-10-4S-30-①-②-③	10	Lead screw	4	0.25	0.125	25.1	±0.05	30 (Fixed)
RCA2-TWA3N-I-10-2S-30-①-②-③			2	0.5	0.25	50.3		
RCA2-TWA3N-I-10-1S-30-①-②-③			1	1	0.5	100.5		

Legend ① Compatible controller ② Cable length ③ Options

Stroke and Maximum Speed

Lead	Stroke	
	Stroke (mm)	30 (mm)
Lead screw	4	200
	2	100
	1	50

(Unit: mm/s)

Stroke List

Stroke (mm)	Standard Price
30	-

② Cable List

Type	Cable Symbol	Standard Price
Standard (Robot Cables)	P (1m)	-
	S (3m)	-
	M (5m)	-
Special Lengths	X06 (6m) ~ X10 (10m)	-
	X11 (11m) ~ X15 (15m)	-
	X16 (16m) ~ X20 (20m)	-
		-

* The RCA2 comes standard with a robot cable.
* See page A-39 for cables for maintenance.

③ Option List

Name	Option Code	See Page	Standard Price
Connector cable exit direction	K2	→ A-32	-
Power-saving	LA	→ A-32	-

Actuator Specifications

Item	Description
Drive System	Lead screw ø4mm C10 grade
Lost Motion	0.3mm or less (initial value)
Frame	Material: Aluminum (white alumite treated)
Allowable Dynamic Moment (Note)	Ma: 9.9 N·m Mb: 9.9 N·m Mc: 9.4 N·m
Ambient Operating Temp./Humidity	0~40°C, 85% RH or less (non-condensing)
Service Life	Horizontal: 10 million cycles Vertical: 5 million cycles

(Note) Based on a 5,000 km service life set for the guide.

293

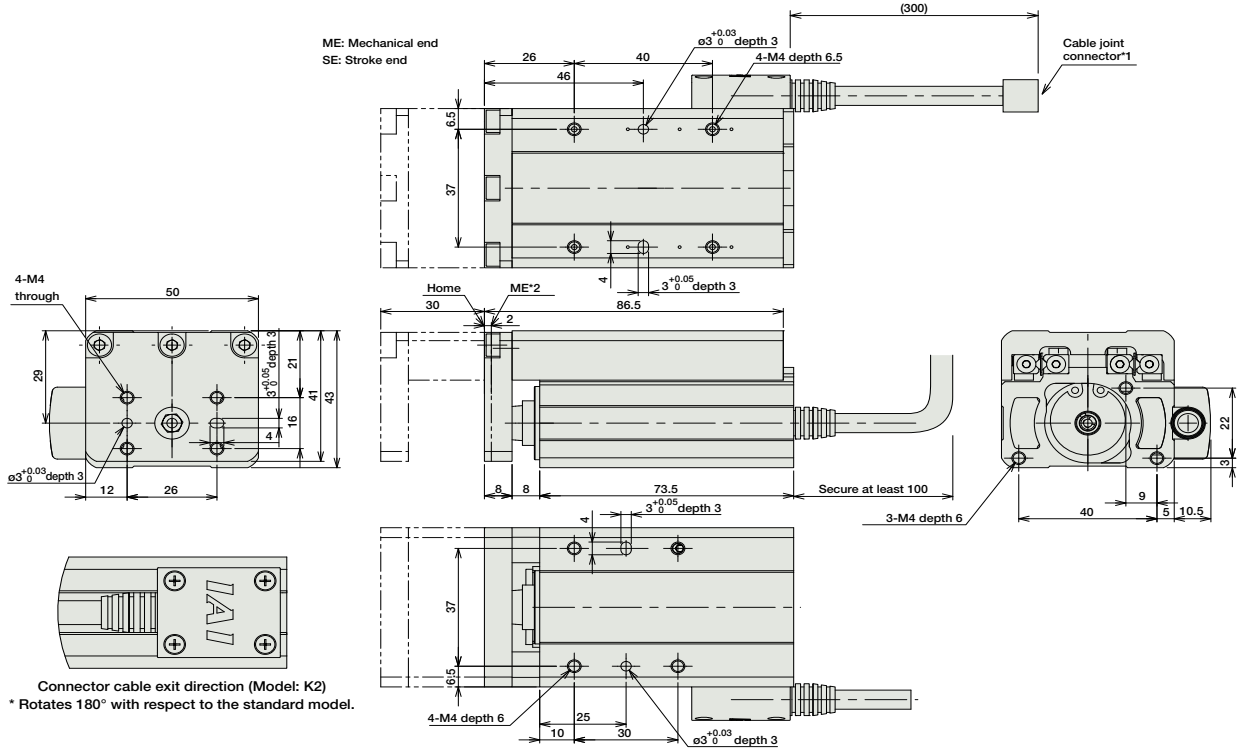
RCA2-TWA3N

- Slider Type
- Mini
- Standard
- Controllers Integrated
- Rod Type
- Mini
- Standard
- Controllers Integrated
- Table/Arm /Flat Type
- Mini
- Standard
- Gripper/ Rotary Type
- Linear Servo Type
- Cleanroom Type
- Splash Proof
- Controllers
- PMEC /AMEC
- PSEP /ASEP
- ROBO NET
- ERC2
- PCON
- ACON
- SCON
- PSEL
- ASEL
- SSEL
- XSEL
- Pulse Motor
- Servo Motor (24V)
- Servo Motor (200V)
- Linear Servo Motor

Dimensions

For Special Orders P. A-9

- *1 The motor-encoder cable is connected here. See page A-39 for details on cables.
- *2 When homing, the table moves to the mechanical end; therefore, please watch for any interference with the surrounding objects.



■ Dimensions/Weight by Stroke

Stroke	30
Weight (kg)	0.52

① Compatible Controllers

The RCA2 series actuators can operate with the controllers below. Select the controller according to your usage.

Name	External View	Model	Description	Max. Positioning Points	Input Voltage	Power Supply Capacity	Standard Price	See Page
Solenoid Valve Type		AMEC-C-10①-NP-2-1	Easy-to-use controller, even for beginners	3 points	AC100V	2.4A rated	-	→ P477
		ASEP-C-10①-NP-2-0	Operable with same signal as solenoid valve. Supports both single and double solenoid types. No homing necessary with simple absolute type.				-	→ P487
Splash-Proof Solenoid Valve Type		ASEP-CW-10①-NP-2-0					-	
Positioner Type		ACON-C-10①-NP-2-0	Positioning is possible for up to 512 points	512 points	DC24V	(Standard) 1.3A rated 4.4A max. (Power-saving) 1.3A rated 2.5A max.	-	→ P535
Safety-Compliant Positioner Type		ACON-CG-10①-NP-2-0					-	
Pulse Train Input Type (Differential Line Driver)		ACON-PL-10①-NP-2-0	Pulse train input type with differential line driver support	(-)	DC24V	(Power-saving) 1.3A rated 2.5A max.	-	→ P535
Pulse Train Input Type (Open Collector)		ACON-PO-10①-NP-2-0	Pulse train input type with open collector support				-	
Serial Communication Type		ACON-SE-10①-N-0-0	Dedicated to serial communication	64 points			-	
Field Network Type		RACON-10①	Dedicated to field network	768 points			-	→ P503
Program Control Type		ASEL-C-1-10①-NP-2-0	Programmed operation is possible. Operation is possible on up to 2 axes	1500 points			-	→ P567

* This is for the single-axis ASEL.
* ① is a placeholder for the code "LA" if the power-saving option is specified.

- Slider Type
- Mini
- Standard
- Controllers Integrated
- Rod Type
- Mini
- Standard
- Controllers Integrated
- Table/Arm /Flat Type
- Mini
- Standard
- Gripper/ Rotary Type
- Linear Servo Type
- Cleanroom Type
- Splash Proof
- Controllers
- PMEC /AMEC
- PSEP /ASEP
- ROBO NET
- ERC2
- PCON
- ACON
- SCON
- PSEL
- ASEL
- SSEL
- XSEL
- Pulse Motor
- Servo Motor (24V)
- Servo Motor (200V)
- Linear Servo Motor



RCA2-TWA3N **294**

RCA2-TWA4N

ROBO Cylinder Mini Table Type Short-Length Wide Model 58mm Width
24V Servo Motor Ball Screw/Lead Screw Models

■ Configuration: **RCA2** — **TWA4N** — **I** — **20** — — **30** — — —

Series — Type — Encoder — Motor — Lead — Stroke — Compatible Controllers — Cable Length — Option

I: Incremental
* The simple absolute encoder is also considered type "I".

20: 20W Servo motor

6: 6mm ball screw
4: 4mm ball screw
2: 2mm ball screw
6S: 6mm lead screw
4S: 4mm lead screw
2S: 2mm lead screw

30: 30mm

A1: ACON
RACON
ASEL
A3: AMEC
ASEP

N: None
P: 1m
S: 3m
M: 5m
X : Custom

K2: Connector cable exit direction
LA: Power-saving

* See page Pre-35 for an explanation of the naming convention.



Power-saving

Technical References P. A-5

POINT
Notes on Selection

- (1) The load capacity is based on operation at an acceleration of 0.3G (0.2G for the 2mm-lead model, or when used vertically). This is the upper limit of the acceleration.
- (2) When using the Lead screw model, please ensure that your usage is appropriate for its characteristics. (See Pre-42 for more information.)

Actuator Specifications

Lead and Load Capacity

Model	Motor Output (W)	Feed Screw	Lead (mm)	Max. Load Capacity		Rated Thrust (N)	Positioning Repeatability (mm)	Stroke (mm)
				Horizontal (kg)	Vertical (kg)			
RCA2-TWA4N-I-20-6-30-①-②-③	20	Ball screw	6	2	0.5	33.8	±0.02	30 (Fixed)
RCA2-TWA4N-I-20-4-30-①-②-③			4	3	0.75	50.7		
RCA2-TWA4N-I-20-2-30-①-②-③			2	6	1.5	101.5		
RCA2-TWA4N-I-20-6S-30-①-②-③	20	Lead screw	6	0.25	0.125	19.9	±0.05	30 (Fixed)
RCA2-TWA4N-I-20-4S-30-①-②-③			4	0.5	0.25	29.8		
RCA2-TWA4N-I-20-2S-30-①-②-③			2	1	0.5	59.7		

Legend ① Compatible controller ② Cable length ③ Options

Stroke and Maximum Speed

Lead	Stroke	
	6 (mm)	30 (mm)
Ball screw	6	270 <220>
	4	200
	2	100
Lead screw	6	220
	4	200
	2	100

* The values enclosed in "<" ">" apply to vertical usage. (Unit: mm/s)

Stroke List

Stroke (mm)	Standard Price	
	Feed Screw	
	Ball Screw Model	Lead Screw Model
30	-	-

② Cable List

Type	Cable Symbol	Standard Price
Standard (Robot Cables)	P (1m)	-
	S (3m)	-
	M (5m)	-
Special Lengths	X06 (6m) ~ X10 (10m)	-
	X11 (11m) ~ X15 (15m)	-
	X16 (16m) ~ X20 (20m)	-
		-

* The RCA2 comes standard with a robot cable.
* See page A-39 for cables for maintenance.

③ Option List

Name	Option Code	See Page	Standard Price
Connector cable exit direction	K2	→ A-32	-
Power-saving	LA	→ A-32	-

Actuator Specifications

Item	Description
Drive System	Ball screw/Lead screw ø6mm C10 grade
Lost Motion	Ball screw: 0.1mm or less/Lead screw: 0.3mm or less (initial value)
Frame	Material: Aluminum (white alumite treated)
Allowable Dynamic Moment (Note)	Ma: 9.9 N·m Mb: 9.9 N·m Mc: 12.2 N·m
Ambient Operating Temp./Humidity	0~40°C, 85% RH or less (non-condensing)
Service Life / Lead Screw Model	Horizontal: 10 million cycles Vertical: 5 million cycles

(Note) Based on a 5,000 km service life set for the guide.

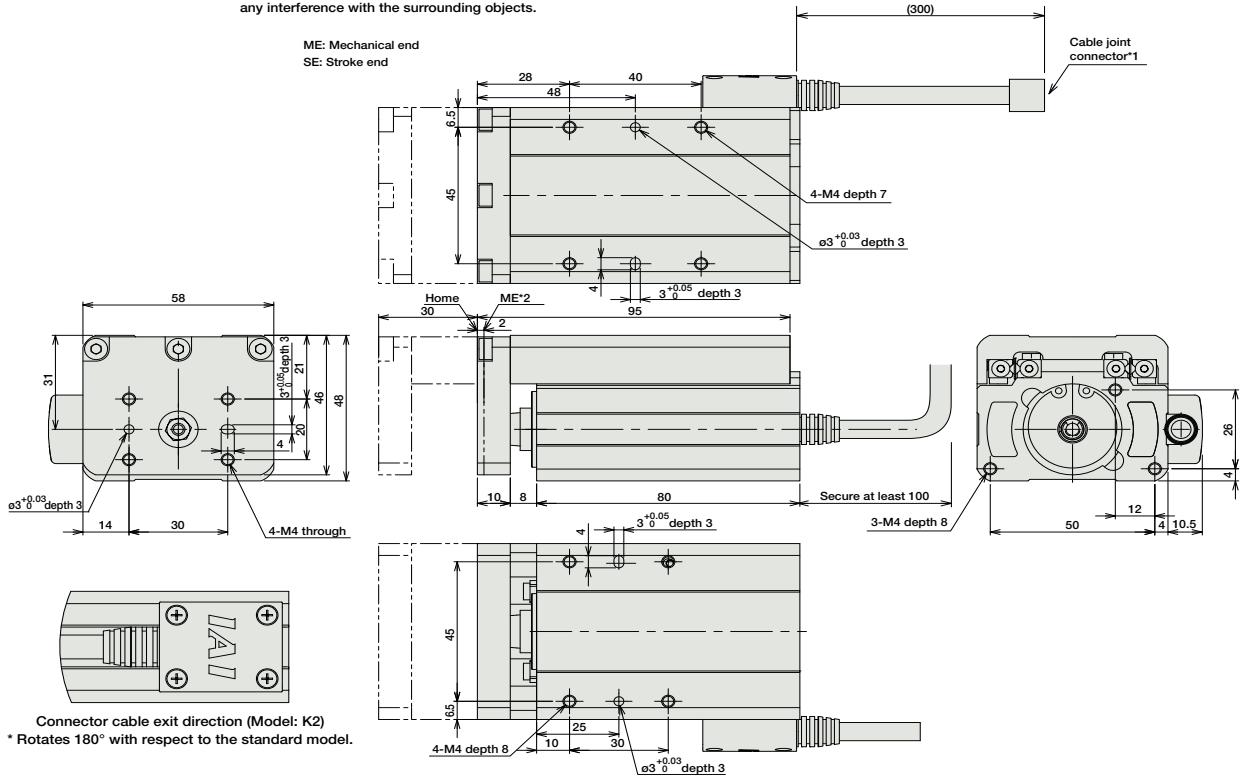
295

RCA2-TWA4N

Dimensions

For Special Orders P. A-9

- *1 The motor-encoder cable is connected here. See page A-39 for details on cables.
- *2 When homing, the table moves to the mechanical end; therefore, please watch for any interference with the surrounding objects.



■ Dimensions/Weight by Stroke

Stroke	30
Weight (kg)	0.65

① Compatible Controllers

The RCA2 series actuators can operate with the controllers below. Select the controller according to your usage.

Name	External View	Model	Description	Max. Positioning Points	Input Voltage	Power Supply Capacity	Standard Price	See Page
Solenoid Valve Type		AMEC-C-201①-NP-2-1	Easy-to-use controller, even for beginners	3 points	AC100V	2.4A rated	-	→ P477
		ASEP-C-201①-NP-2-0	Operable with same signal as solenoid valve. Supports both single and double solenoid types. No homing necessary with simple absolute type.				-	→ P487
Splash-Proof Solenoid Valve Type		ASEP-CW-201①-NP-2-0					-	
Positioner Type		ACON-C-201①-NP-2-0	Positioning is possible for up to 512 points	512 points	DC24V	(Standard) 1.3A rated 4.4A max. (Power-saving) 1.3A rated 2.5A max.	-	
Safety-Compliant Positioner Type		ACON-CG-201①-NP-2-0					-	
Pulse Train Input Type (Differential Line Driver)		ACON-PL-201①-NP-2-0	Pulse train input type with differential line driver support	(-)	DC24V	(Standard) 1.3A rated 4.4A max. (Power-saving) 1.3A rated 2.5A max.	-	→ P535
Pulse Train Input Type (Open Collector)		ACON-PO-201①-NP-2-0	Pulse train input type with open collector support				-	
Serial Communication Type		ACON-SE-201①-N-0-0	Dedicated to serial communication	64 points			-	
Field Network Type		RACON-20①	Dedicated to field network	768 points			-	→ P503
Program Control Type		ASEL-C-1-201①-NP-2-0	Programmed operation is possible. Operation is possible on up to 2 axes	1500 points			-	→ P567

* This is for the single-axis ASEL.
* ① is a placeholder for the code "LA" if the power-saving option is specified.



RCA2-TWA4N **296**

- Slider Type
- Mini
- Standard
- Controllers Integrated
- Rod Type
- Mini
- Standard
- Controllers Integrated
- Table/Arm /Flat Type
- Mini
- Standard
- Gripper/ Rotary Type
- Linear Servo Type
- Cleanroom Type
- Splash Proof
- Controllers
- PMEC /AMEC
- PSEP /ASEP
- ROBO NET
- ERC2
- PCON
- ACON
- SCON
- PSEL
- ASEL
- SSEL
- XSEL
- Pulse Motor
- Servo Motor (24V)
- Servo Motor (200V)
- Linear Servo Motor

RCA2-TFA3N

ROBO Cylinder Mini Table Type Short-Length Flat Model 61mm Width
24V Servo Motor Lead Screw Model

■ Configuration: **RCA2** — **TFA3N** — **I** — **10** — — **30** — — —

Series — Type — Encoder — Motor — Lead — Stroke — Compatible Controllers — Cable Length — Option

I: Incremental
* The simple absolute encoder is also considered type "I".

10: 10W Servo motor

4S: 4mm lead screw
2S: 2mm lead screw
1S: 1mm lead screw

30: 30mm

A1: ACON
RACON
ASEL
A3: AMEC
ASEP

N: None
P: 1m
S: 3m
M: 5m
X : Custom

K2: Connector cable exit direction
LA: Power-saving

* See page Pre-35 for an explanation of the naming convention.



Power-saving

Technical References P. A-5

POINT
Notes on Selection

- (1) The load capacity is based on operation at an acceleration of 0.2G. This is the upper limit of the acceleration.
- (2) This model uses a Lead screw, therefore please ensure that your usage is appropriate for its characteristics. (See page Pre-42 for more information.)

Actuator Specifications

Lead and Load Capacity

Model	Motor Output (W)	Feed Screw	Lead (mm)	Max. Load Capacity		Rated Thrust (N)	Positioning Repeatability (mm)	Stroke (mm)
				Horizontal (kg)	Vertical (kg)			
RCA2-TFA3N-I-10-4S-30-①-②-③	10	Lead screw	4	0.25	0.125	25.1	±0.05	30 (Fixed)
RCA2-TFA3N-I-10-2S-30-①-②-③			2	0.5	0.25	50.3		
RCA2-TFA3N-I-10-1S-30-①-②-③			1	1	0.5	100.5		

Legend ① Compatible controller ② Cable length ③ Options

Stroke and Maximum Speed

Lead	Stroke	
	Stroke (mm)	30 (mm)
Lead screw	4	200
	2	100
	1	50

(Unit: mm/s)

Stroke List

Stroke (mm)	Standard Price
30	-

② Cable List

Type	Cable Symbol	Standard Price
Standard (Robot Cables)	P (1m)	-
	S (3m)	-
	M (5m)	-
Special Lengths	X06 (6m) ~ X10 (10m)	-
	X11 (11m) ~ X15 (15m)	-
	X16 (16m) ~ X20 (20m)	-
		-

* The RCA2 comes standard with a robot cable.
* See page A-39 for cables for maintenance.

③ Option List

Name	Option Code	See Page	Standard Price
Connector cable exit direction	K2	→ A-32	-
Power-saving	LA	→ A-32	-

Actuator Specifications

Item	Description
Drive System	Lead screw ø4mm C10 grade
Lost Motion	0.3mm or less (initial value)
Frame	Material: Aluminum (white alumite treated)
Allowable Dynamic Moment (Note)	Ma: 9.9 N·m Mb: 9.9 N·m Mc: 3.3 N·m
Ambient Operating Temp./Humidity	0~40°C, 85% RH or less (non-condensing)
Service Life	Horizontal: 10 million cycles Vertical: 5 million cycles

(Note) Based on a 5,000 km service life set for the guide.

297

RCA2-TFA3N

- Slider Type
- Mini
- Standard
- Controllers Integrated
- Rod Type
- Mini
- Standard
- Controllers Integrated
- Table/Arm /Flat Type
- Mini
- Standard
- Gripper/ Rotary Type
- Linear Servo Type
- Cleanroom Type
- Splash Proof
- Controllers
- PMEC /AMEC
- PSEP /ASEP
- ROBO NET
- ERC2
- PCON
- ACON
- SCON
- PSEL
- ASEL
- SSEL
- XSEL
- Pulse Motor
- Servo Motor (24V)
- Servo Motor (200V)
- Linear Servo Motor

RCA2-TFA4N

ROBO Cylinder Mini Table Type Short-Length Flat Model 71mm Width
24V Servo Motor Ball Screw/Lead Screw Models

■ Configuration: **RCA2** — **TFA4N** — **I** — **20** — — **30** — — —

Series — Type — Encoder — Motor — Lead — Stroke — Compatible Controllers — Cable Length — Option

I: Incremental
* The simple absolute encoder is also considered type "I".

20: 20W Servo motor

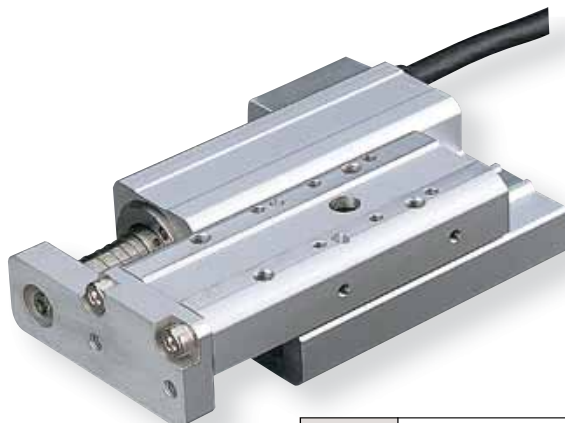
6: 6mm ball screw
4: 4mm ball screw
2: 2mm ball screw
6S: 6mm lead screw
4S: 4mm lead screw
2S: 2mm lead screw

A1: ACON
RACON
ASEL
A3: AMEC
ASEP

N: None
P: 1m
S: 3m
M: 5m
X : Custom

K2: Connector cable exit direction
LA: Power-saving

* See page Pre-35 for an explanation of the naming convention.



Power-saving

Technical References P. A-5

4 POINT Notes on Selection

- (1) The load capacity is based on operation at an acceleration of 0.3G (0.2G for the 2mm-lead model, or when used vertically). This is the upper limit of the acceleration.
- (2) When using the Lead screw model, please ensure that your usage is appropriate for its characteristics. (See page Pre-42 for more information.)

Actuator Specifications										
■ Lead and Load Capacity										
Model	Motor Output (W)	Feed Screw	Lead (mm)	Max. Load Capacity		Rated Thrust (N)	Positioning Repeatability (mm)	Stroke (mm)	Stroke and Maximum Speed	
				Horizontal (kg)	Vertical (kg)				Lead	30 (mm)
RCA2-TFA4N-I-20-6-30-①-②-③	20	Ball screw	6	2	0.5	33.8	±0.02	30 (Fixed)	Ball screw	270 <220>
RCA2-TFA4N-I-20-4-30-①-②-③			4	3	0.75	50.7				200
RCA2-TFA4N-I-20-2-30-①-②-③			2	6	1.5	101.5				100
RCA2-TFA4N-I-20-6S-30-①-②-③	20	Lead screw	6	0.25	0.125	19.9	±0.05	30 (Fixed)	Lead screw	220
RCA2-TFA4N-I-20-4S-30-①-②-③			4	0.5	0.25	29.8				200
RCA2-TFA4N-I-20-2S-30-①-②-③			2	1	0.5	59.7				100

Legend ① Compatible controller ② Cable length ③ Options

* The values enclosed in "< >" apply to vertical usage. (Unit: mm/s)

Stroke List		
Stroke (mm)	Standard Price	
	Feed Screw	
	Ball Screw Model	Lead Screw Model
30	-	-

② Cable List		
Type	Cable Symbol	Standard Price
Standard (Robot Cables)	P (1m)	-
	S (3m)	-
	M (5m)	-
Special Lengths	X06 (6m) ~ X10 (10m)	-
	X11 (11m) ~ X15 (15m)	-
	X16 (16m) ~ X20 (20m)	-

* The RCA2 comes standard with a robot cable.
* See page A-39 for cables for maintenance.

③ Option List			
Name	Option Code	See Page	Standard Price
Connector cable exit direction	K2	→ A-32	-
Power-saving	LA	→ A-32	-

Actuator Specifications	
Item	Description
Drive System	Ball screw/Lead screw ø6mm C10 grade
Lost Motion	Ball screw: 0.1mm or less/Lead screw: 0.3mm or less (initial value)
Frame	Material: Aluminum (white alumite treated)
Allowable Dynamic Moment (Note)	Ma: 9.9 N·m Mb: 9.9 N·m Mc: 3.3 N·m
Ambient Operating Temp./Humidity	0~40°C, 85% RH or less (non-condensing)
Service Life	Horizontal: 10 million cycles Vertical: 5 million cycles

(Note) Based on a 5,000 km service life set for the guide.

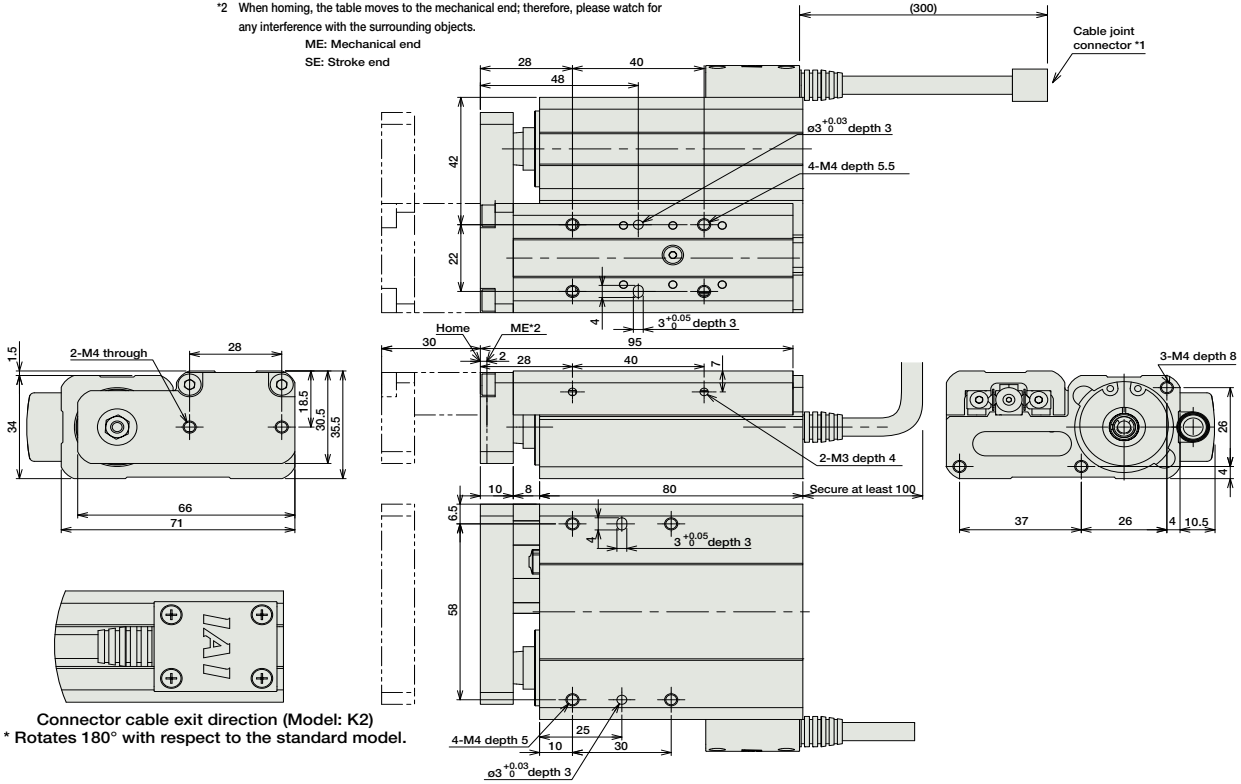
299 RCA2-TFA4N

Dimensions

For Special Orders P. A-9

- *1 The motor-encoder cable is connected here. See page A-39 for details on cables.
- *2 When homing, the table moves to the mechanical end; therefore, please watch for any interference with the surrounding objects.

ME: Mechanical end
SE: Stroke end



Connector cable exit direction (Model: K2)
* Rotates 180° with respect to the standard model.

■ Dimensions/Weight by Stroke

Stroke	30
Weight (kg)	0.6

① Compatible Controllers

The RCA2 series actuators can operate with the controllers below. Select the controller according to your usage.

Name	External View	Model	Description	Max. Positioning Points	Input Voltage	Power Supply Capacity	Standard Price	See Page
Solenoid Valve Type		AMEC-C-20①-NP-2-1	Easy-to-use controller, even for beginners	3 points	AC100V	2.4A rated	-	→ P477
		ASEP-C-20①-NP-2-0	Operable with same signal as solenoid valve. Supports both single and double solenoid types. No homing necessary with simple absolute type.				-	→ P487
Splash-Proof Solenoid Valve Type		ASEP-CW-20①-NP-2-0					-	
Positioner Type		ACON-C-20①-NP-2-0	Positioning is possible for up to 512 points	512 points	DC24V	(Standard) 1.3A rated 4.4A max. (Power-saving) 1.3A rated 2.5A max.	-	
Safety-Compliant Positioner Type		ACON-CG-20①-NP-2-0					-	
Pulse Train Input Type (Differential Line Driver)		ACON-PL-20①-NP-2-0	Pulse train input type with differential line driver support	(-)	DC24V	(Standard) 1.3A rated 4.4A max. (Power-saving) 1.3A rated 2.5A max.	-	→ P535
Pulse Train Input Type (Open Collector)		ACON-PO-20①-NP-2-0	Pulse train input type with open collector support				-	
Serial Communication Type		ACON-SE-20①-N-0-0	Dedicated to serial communication	64 points			-	
Field Network Type		RACON-20①	Dedicated to field network	768 points			-	→ P503
Program Control Type		ASEL-C-1-20①-NP-2-0	Programmed operation is possible. Operation is possible on up to 2 axes	1500 points			-	→ P567

* This is for the single-axis ASEL.
* ① is a placeholder for the code "LA" if the power-saving option is specified.



RCA2-TFA4N **300**

- Slider Type
- Mini
- Standard
- Controllers Integrated
- Rod Type
- Mini
- Standard
- Controllers Integrated
- Table/Arm /Flat Type
- Mini
- Standard
- Gripper/ Rotary Type
- Linear Servo Type
- Cleanroom Type
- Splash Proof
- Controllers
- PMEC /AMEC
- PSEP /ASEP
- ROBO NET
- ERC2
- PCON
- ACON
- SCON
- PSEL
- ASEL
- SSEL
- XSEL
- Pulse Motor
- Servo Motor (24V)
- Servo Motor (200V)
- Linear Servo Motor

RCA2-TA4C

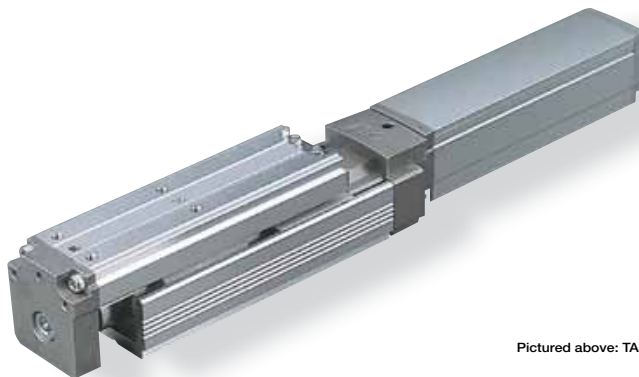
ROBO Cylinder Mini Table Type Motor Unit Coupled 40mm Width
24V Servo Motor Ball Screw

■ Configuration: **RCA2** — **TA4C** — **I** — **10** — — — — —

Series	Type	Encoder	Motor	Lead	Stroke	Compatible Controllers	Cable Length	Option
I: Incremental * The simple absolute encoder is also considered type "I".	10: 10W Servo motor	6 : 6mm 4 : 4mm 2 : 2mm		20: 20mm) 100: 100mm (10mm pitch increments)	A1 : ACON RACON ASEL A3 : AMEC ASEP	N : None P : 1m S : 3m M : 5m X <input type="checkbox"/> <input type="checkbox"/> : Custom	K2 : Connector cable exit direction LA : Power-saving	

* See page Pre-35 for an explanation of the naming convention.

Power-saving



Pictured above: TA3C

Technical References P. A-5

4 POINT Notes on Selection

(1) The load capacity is based on operation at an acceleration of 0.3G (0.2G for the 2mm-lead model, or when used vertically). 0.3G (0.2G for 2mm lead) is the upper limit of the acceleration.

Actuator Specifications

Lead and Load Capacity

Model	Motor Output (W)	Feed Screw	Lead (mm)	Max. Load Capacity		Rated Thrust (N)	Positioning Repeatability (mm)	Stroke (mm)
				Horizontal (kg)	Vertical (kg)			
RCA2-TA4C-I-10-6-①-②-③-④	10	Ball screw	6	1	0.5	28	±0.02	20~100 (10mm increments)
RCA2-TA4C-I-10-4-①-②-③-④			4	2	1	43		
RCA2-TA4C-I-10-2-①-②-③-④			2	3	1.5	85		

Legend ① Stroke ② Compatible controller ③ Cable length ④ Options

Stroke and Maximum Speed

Lead	Stroke	
	20 ~ 100 (10mm increments)	20 ~ 100 (10mm increments)
Ball screw	6	300
	4	200
	2	100

(Unit: mm/s)

① Stroke List

Stroke (mm)	Standard Price
20	-
30	-
40	-
50	-
60	-
70	-
80	-
90	-
100	-

③ Cable List

Type	Cable Symbol	Standard Price
Standard (Robot Cables)	P (1m)	-
	S (3m)	-
	M (5m)	-
Special Lengths	X06 (6m) ~ X10 (10m)	-
	X11 (11m) ~ X15 (15m)	-
	X16 (16m) ~ X20 (20m)	-

* The RCA2 comes standard with a robot cable.
* See page A-39 for cables for maintenance.

④ Option List

Name	Option Code	See Page	Standard Price
Brake	B	→ A-25	-
Cable exit direction (Top)	CJT	→ A-25	-
Cable exit direction (Right)	CJR		
Cable exit direction (Left)	CJL		
Cable exit direction (Bottom)	CJB		
Power-saving	LA	→ A-32	-
Reversed-home	NM	→ A-33	-

Actuator Specifications

Item	Description
Drive System	Ball screw ø6mm C10 grade
Lost Motion	0.1mm or less
Base	Material: Aluminum (white alumite treated)
Allowable Dynamic Moment (Note)	Ma: 4.2 N·m Mb: 6 N·m Mc: 8.2 N·m
Ambient Operating Temp./Humidity	0~40°C, 85% RH or less (non-condensing)

(Note) Based on a 5,000km service life.

Directions of Allowable Load Moments



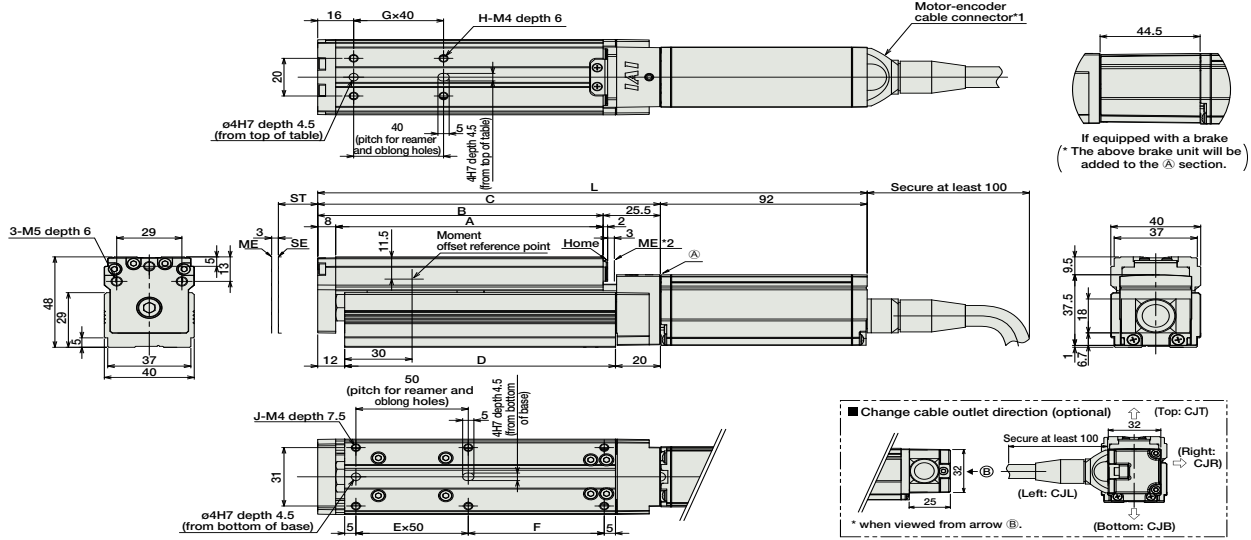
301

RCA2-TA4C

- Slider Type
- Mini
- Standard
- Controllers Integrated
- Rod Type
- Mini
- Standard
- Controllers Integrated
- Table/Arm/Flat Type
- Mini
- Standard
- Gripper/Rotary Type
- Linear Servo Type
- Cleanroom Type
- Splash Proof
- Controllers
- PMEC/AMEC
- PSEP/ASEP
- ROBO NET
- ERC2
- PCON
- ACON
- SCON
- PSEL
- ASEL
- SSEL
- XSEL
- Pulse Motor
- Servo Motor (24V)
- Servo Motor (200V)
- Linear Servo Motor

Dimensions

For Special Order P. A-9



- *1 The motor-encoder cable is connected directly to the motor cover of the actuator. See page A-39 for details on cables.
- *2 When homing, the slider moves to the mechanical end; therefore, please watch for any interference with the surrounding objects.
ST : Stroke
ME : Mechanical end
SE : Stroke end

■ Dimensions/Weight by Stroke * Adding a brake will increase the actuator's weight by 0.2kg.

Stroke	20	30	40	50	60	70	80	90	100	
L	No Brake	214.5	224.5	234.5	244.5	254.5	264.5	274.5	284.5	294.5
	Brake-equipped	259	269	279	289	299	309	319	329	339
A	89	99	109	119	129	139	149	159	169	
B	97	107	117	127	137	147	157	167	177	
C	122.5	132.5	142.5	152.5	162.5	172.5	182.5	192.5	202.5	
D	90.5	100.5	110.5	120.5	130.5	140.5	150.5	160.5	170.5	
E	1	1	1	1	2	2	2	2	2	
F	30.5	40.5	50.5	60.5	20.5	30.5	40.5	50.5	60.5	
G	1	1	1	1	2	2	2	2	2	
H	4	4	4	4	6	6	6	6	6	
J	6	6	6	6	8	8	8	8	8	
Weight (kg)	0.8	0.8	0.8	0.9	0.9	0.9	1.0	1.0	1.0	

② Compatible Controllers

The RCA2 series actuators can operate with the controllers below. Select the controller according to your usage.

Name	External View	Model	Description	Max. Positioning Points	Input Voltage	Power Supply Capacity	Standard Price	See Page
Solenoid Valve Type		AMEC-C-10I①-NP-2-1	Easy-to-use controller, even for beginners	3 points	AC100V	2.4A rated	-	→ P477
		ASEP-C-10I①-NP-2-0	Operable with same signal as solenoid valve. Supports both single and double solenoid types. No homing necessary with simple absolute type.					→ P487
Splash-Proof Solenoid Valve Type		ASEP-CW-10I①-NP-2-0						
Positioner Type		ACON-C-10I①-NP-2-0	Positioning is possible for up to 512 points	512 points	DC24V	(Standard) 1.3A rated 4.4A max.	-	
Safety-Compliant Positioner Type		ACON-CG-10I①-NP-2-0						
Pulse Train Input Type (Differential Line Driver)		ACON-PL-10I①-NP-2-0	Pulse train input type with differential line driver support	(-)	DC24V	(Power-saving) 1.3A rated 2.5A max.	-	→ P535
Pulse Train Input Type (Open Collector)		ACON-PO-10I①-NP-2-0	Pulse train input type with open collector support					
Serial Communication Type		ACON-SE-10I①-N-0-0	Dedicated to serial communication	64 points				
Field Network Type		RACON-10①	Dedicated to field network	768 points				→ P503
Program Control Type		ASEL-C-1-10I①-NP-2-0	Programmed operation is possible. Operation is possible on up to 2 axes	1500 points				→ P567

* This is for the single-axis ASEL.
* ① is a placeholder for the code "LA" if the power-saving option is specified.

- Slider Type
- Mini
- Standard
- Controllers Integrated
- Rod Type
- Mini
- Standard
- Controllers Integrated
- Table/Arm /Flat Type
- Mini
- Standard
- Gripper/ Rotary Type
- Linear Servo Type
- Cleanroom Type
- Splash Proof
- Controllers
- PMEC /AMEC
- PSEP /ASEP
- ROBO NET
- ERC2
- PCON
- ACON
- SCON
- PSEL
- ASEL
- SSEL
- XSEL
- Pulse Motor
- Servo Motor (24V)
- Servo Motor (200V)
- Linear Servo Motor

RCA2-TA5C

ROBO Cylinder Table Type Motor Unit Coupled 55mm Width 24V Servo Motor Ball Screw

■ Configuration: **RCA2** — **TA5C** — **I** — **20** — — — — —

Series — Type — Encoder — Motor — Lead — Stroke — Compatible Controllers — Cable Length — Option

I: Incremental
 * The simple absolute encoder is also considered type "I".

20: 20W Servo motor

Lead: 10: 10mm
 5: 5mm
 2.5: 2.5mm

Stroke: 25: 25mm
 100: 100mm (25mm pitch increments)

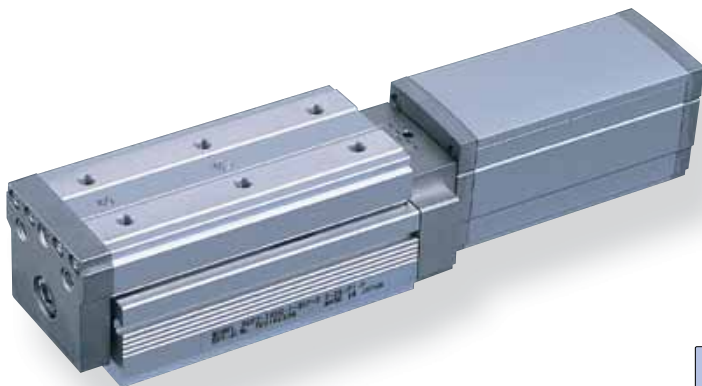
Compatible Controllers: A1: ACON, RACON, ASEL, A3: AMEC, ASEP

Cable Length: N: None, P: 1m, S: 3m, M: 5m, X : Custom

See Options below

* See page Pre-35 for an explanation of the naming convention.

Power-saving



Technical References P. A-5

POINT Notes on Selection

- Please note that the maximum speed is different when used horizontally versus vertically.
- The load capacity is based on operation at an acceleration of 0.3G (0.2G for the 2.5mm-lead model, or when used vertically). This is the upper limit of the acceleration.

Actuator Specifications

■ Lead and Load Capacity

Model	Motor Output (W)	Lead (mm)	Max. Load Capacity		Rated Thrust (N)	Stroke (mm)
			Horizontal (kg)	Vertical (kg)		
RCA2-TA5C-I-20-10-①-②-③-④	20	10	2	1	34	25~100 (25mm increments)
RCA2-TA5C-I-20-5-①-②-③-④		5	3.5	2	68	
RCA2-TA5C-I-20-2.5-①-②-③-④		2.5	5	3	137	

Legend: ① Stroke ② Compatible controller ③ Cable length ④ Options

■ Stroke and Maximum Speed

Lead	Stroke	
	25 ~ 100 (25mm increments)	25 ~ 100 (25mm increments)
10	465 < 400 >	
5	250	
2.5	125	

* The values enclosed in "< >" apply to vertical usage. (Unit: mm/s)

① Stroke List

Stroke (mm)	Standard Price
25	-
50	-
75	-
100	-

③ Cable List

Type	Cable Symbol	Standard Price
Standard Type (Robot Cables)	P (1m)	-
	S (3m)	-
	M (5m)	-
Special Lengths	X06 (6m) ~ X10 (10m)	-
	X11 (11m) ~ X15 (15m)	-
	X16 (16m) ~ X20 (20m)	-
		-

* The RCA2 comes standard with a robot cable.
 * See page A-39 for cables for maintenance.

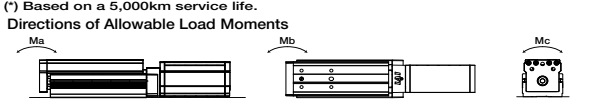
④ Options List

Name	Option Code	Standard Price	Standard Price
Brake	B	→ A-25	-
Cable exit direction (Top)	CJT	→ A-25	-
Cable exit direction (Right)	CJR	→ A-25	-
Cable exit direction (Left)	CJL	→ A-25	-
Cable exit direction (Bottom)	CJB	→ A-25	-
Power-saving	LA	→ A-32	-
Reversed-home	NM	→ A-33	-

Actuator Specifications


Item	Description
Drive System	Ball screw ø8mm C10 grade
Positioning Repeatability	±0.02mm
Lost Motion	0.1mm or less
Base	Material: Aluminum (special alumite treated)
Allowable Static Moment	Ma: 25.5 N·m Mb: 36.5 N·m Mc: 56.1 N·m
Allowable Dynamic Moment (*)	Ma: 6.57 N·m Mb: 9.32 N·m Mc: 14.32 N·m
Overhang Load Length	Within the load moment range
Ambient Operating Temp./Humidity	0~40°C, 85% RH or less (non-condensing)

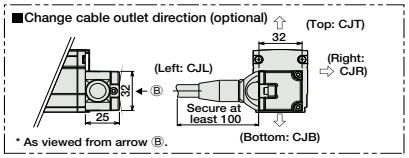
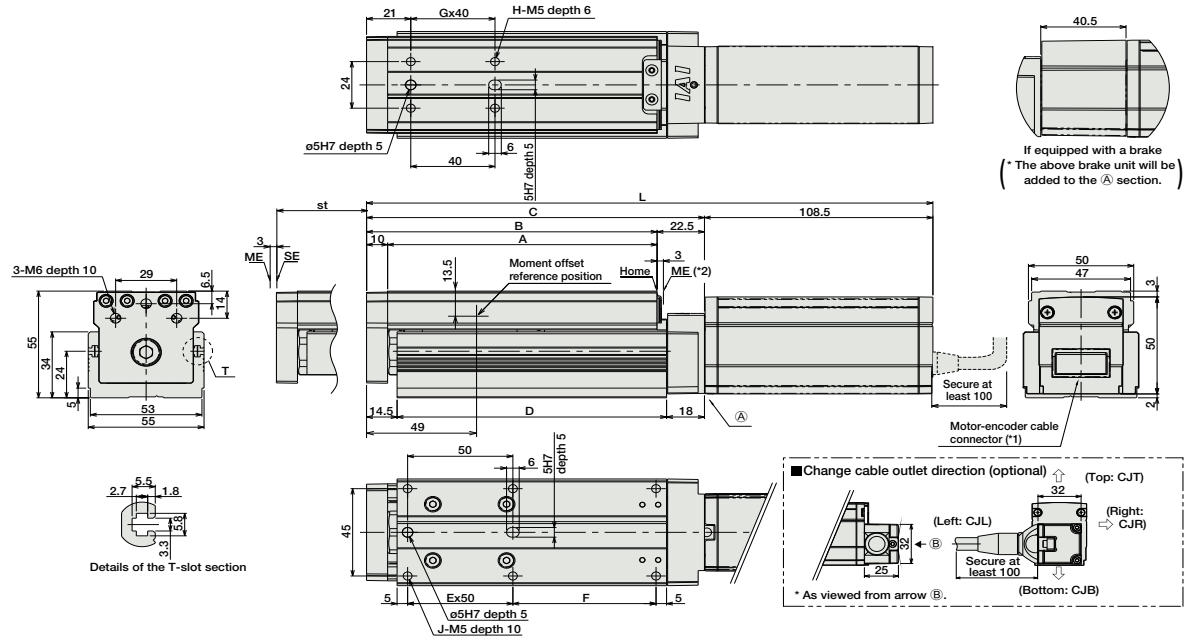
(*) Based on a 5,000km service life.



303 RCA2-TA5C

Dimensions

For Special Order  P. A-9













(*1) The motor-encoder cable is connected directly to the motor cover of the actuator. See page A-39 for details on cables.
 (*2) After homing, the slider moves to the ME; therefore, please watch for any interference with the surrounding objects.
 ME: Mechanical end
 SE: Stroke end

■ Dimensions and Weight by Stroke * Adding a brake will increase the actuator's weight by 0.3kg.

Stroke	L				
	25	50	75	100	
L	No brake	244	269	294	319
	Brake-equipped	284.5	309.5	334.5	359.5
A	103	128	153	178	
B	113	138	163	188	
C	135.5	160.5	185.5	210.5	
D	103	128	153	178	
E	1	1	2	2	
F	43	68	43	68	
G	1	1	2	2	
H	4	4	6	6	
J	6	6	8	8	
Weight (kg)	1.2	1.4	1.5	1.7	

② Compatible Controllers

The RCA2 series actuators can operate with the controllers below. Select the controller according to your usage.

Name	External View	Model	Description	Max. Positioning Points	Input Voltage	Power Supply Capacity	Standard Price	See Page
Solenoid Valve Type		AMEC-C-20SI①-NP-2-1	Easy-to-use controller, even for beginners	3 points	AC100V	2.4A rated	-	→ P477
		ASEP-C-20SI①-NP-2-0	Operable with same signal as solenoid valve. Supports both single and double solenoid types. No homing necessary with simple absolute type.					→ P487
Splash-Proof Solenoid Valve Type		ASEP-CW-20SI①-NP-2-0						
Positioner Type		ACON-C-20SI①-NP-2-0	Positioning is possible for up to 512 points	512 points	DC24V	(Standard) 1.3A rated 4.4A max.	-	
Safety-Compliant Positioner Type		ACON-CG-20SI①-NP-2-0						
Pulse Train Input Type (Differential Line Driver)		ACON-PL-20SI①-NP-2-0	Pulse train input type with differential line driver support	(-)	DC24V	(Power-saving) 1.3A rated 2.5A max.	-	→ P535
Pulse Train Input Type (Open Collector)		ACON-PO-20SI①-NP-2-0	Pulse train input type with open collector support					
Serial Communication Type		ACON-SE-20SI①-N-0-0	Dedicated to serial communication	64 points				
Field Network Type		RACON-20S①	Dedicated to field network	768 points				→ P503
Program Control Type		ASEL-C-1-20SI①-NP-2-0	Programmed operation is possible. Operation is possible on up to 2 axes	1500 points				→ P567

* This is for the single-axis ASEL.
 * ① is a placeholder for the code "LA", if the power-saving option is specified.

- Slider Type
- Mini
- Standard
- Controllers Integrated
- Rod Type
- Mini
- Standard
- Controllers Integrated
- Table/Arm /Flat Type
- Mini
- Standard
- Gripper/ Rotary Type
- Linear Servo Type
- Cleanroom Type
- Splash Proof
- Controllers
- PMEC /AMEC
- PSEP /ASEP
- ROBO NET
- ERC2
- PCON
- ACON
- SCON
- PSEL
- ASEL
- SSEL
- XSEL
- Pulse Motor
- Servo Motor (24V)
- Servo Motor (200V)
- Linear Servo Motor

RCA2-TA6C

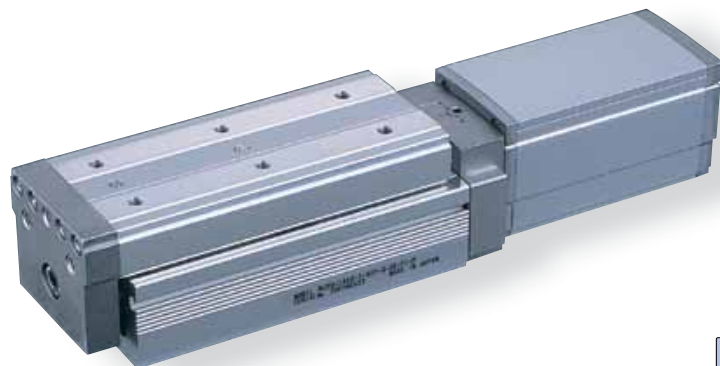
ROBO Cylinder Table Type Motor Unit Coupled 65mm Width 24V Servo Motor Ball Screw

■ Configuration: **RCA2** — **TA6C** — **I** — **20** — — — — —

Series	Type	Encoder	Motor	Lead	Stroke	Compatible Controllers	Cable Length	Option
I: Incremental * The simple absolute encoder is also considered type "I".	20: 20W Servo motor	12 : 12mm 6 : 6mm 3 : 3mm	25: 25mm) 150: 150mm (25mm pitch increments)	A1: ACON RACON ASEL A3: AMEC ASEP	N : None P : 1m S : 3m M : 5m X <input type="checkbox"/> : Custom	See Options below		

* See page Pre-35 for an explanation of the naming convention.

Power-saving



Technical References P. A-5

POINT Notes on Selection

- Please note that the maximum speed is different when used horizontally versus vertically.
- The load capacity is based on operation at an acceleration of 0.3G (0.2G for the 3mm-lead model, or when used vertically). This is the upper limit of the acceleration.

Actuator Specifications

■ Lead and Load Capacity

Model	Motor Output (W)	Lead (mm)	Max. Load Capacity		Rated Thrust (N)	Stroke (mm)
			Horizontal (kg)	Vertical (kg)		
RCA2-TA6C-I-20-12-①-②-③-④	20	12	2	0.5	17	25~150 (25mm increments)
RCA2-TA6C-I-20-6-①-②-③-④		6	4	1.5	34	
RCA2-TA6C-I-20-3-①-②-③-④		3	6	3	68	

Legend: ① Stroke ② Compatible controller ③ Cable length ④ Options

■ Stroke and Maximum Speed

Lead	Stroke	
	25 ~ 150 (25mm increments)	560 <500>
12	560 <500>	
6	300	
3	150	

* The values enclosed in "< >" apply to vertical usage. (Unit: mm/s)

① Stroke List

Stroke (mm)	Standard Price
25	-
50	-
75	-
100	-
125	-
150	-

③ Cable List

Type	Cable Symbol	Standard Price
Standard Type (Robot Cables)	P (1m)	-
	S (3m)	-
	M (5m)	-
Special Lengths	X06 (6m) ~ X10 (10m)	-
	X11 (11m) ~ X15 (15m)	-
	X16 (16m) ~ X20 (20m)	-
		-

* The RCA2 comes standard with a robot cable.
* See page A-39 for cables for maintenance.

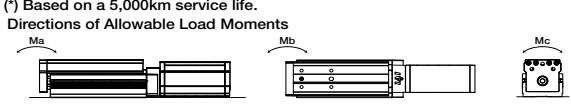
④ Options List

Name	Option Code	Standard Price	Standard Price
Brake	B	→ A-25	-
Cable exit direction (Top)	CJT	→ A-25	-
Cable exit direction (Right)	CJR	→ A-25	-
Cable exit direction (Left)	CJL	→ A-25	-
Cable exit direction (Bottom)	CJB	→ A-25	-
Power-saving	LA	→ A-32	-
Reversed-home	NM	→ A-33	-

Actuator Specifications

Item	Description
Drive System	Ball screw ø10mm C10 grade
Positioning Repeatability	±0.02mm
Lost Motion	0.1mm or less
Base	Material: Aluminum (special alumite treated)
Allowable Static Moment	Ma: 29.4 N·m Mb: 42.0 N·m Mc: 74.1 N·m
Allowable Dynamic Moment (*)	Ma: 7.26 N·m Mb: 10.3 N·m Mc: 18.25 N·m
Overhang Load Length	Within the load moment range
Ambient Operating Temp./Humidity	0~40°C, 85% RH or less (non-condensing)

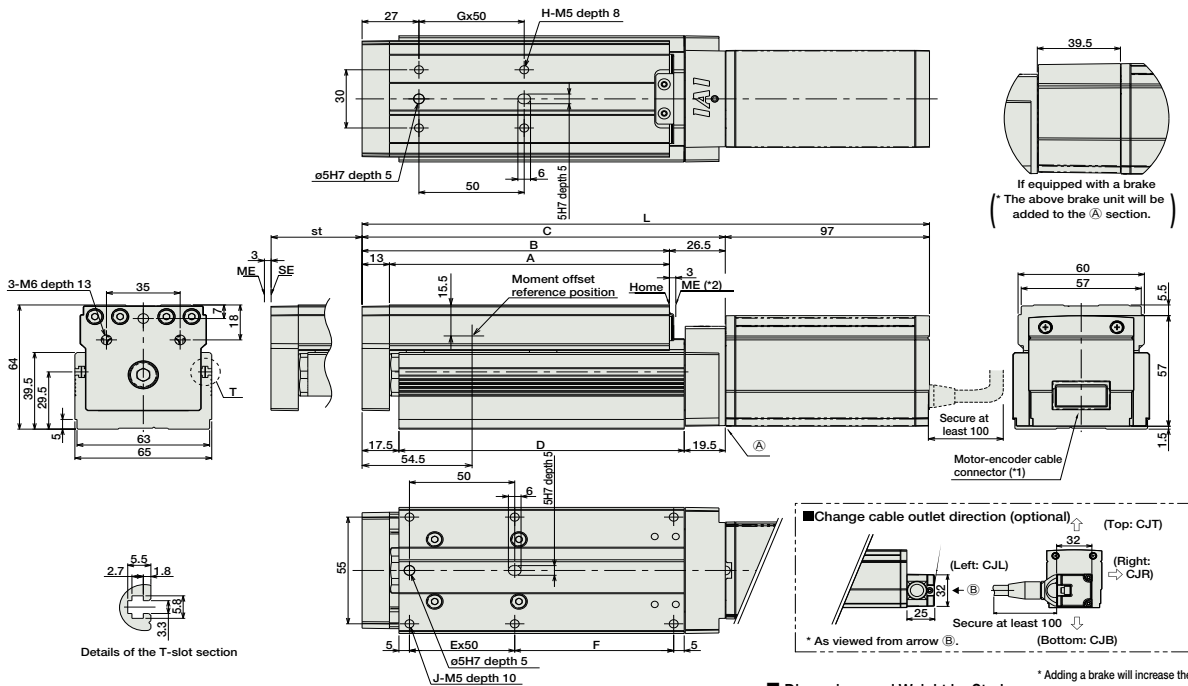
(*) Based on a 5,000km service life.



305 RCA2-TA6C

Dimensions

For Special Order  P. A-9



* Adding a brake will increase the actuator's weight by 0.4kg.

Change cable outlet direction (optional) (Top: CJT)
 (Left: CJL) (Right: CJR)
 Secure at least 100 (Bottom: CJB)
 * As viewed from arrow ①.

Stroke	L						
	25	50	75	100	125	150	
L	No brake	244.5	269.5	294.5	319.5	344.5	369.5
	Brake-equipped	284	309	334	359	384	409
A	108	133	158	183	208	233	
B	121	146	171	196	221	246	
C	147.5	172.5	197.5	222.5	247.5	272.5	
D	110.5	135.5	160.5	185.5	210.5	235.5	
E	1	1	2	2	3	3	
F	50.5	75.5	50.5	75.5	50.5	75.5	
G	1	1	2	2	3	3	
H	4	4	6	6	8	8	
J	6	6	8	8	10	10	
Weight (kg)	1.8	2	2.2	2.4	2.6	2.8	

(*1) The motor-encoder cable is connected directly to the motor cover of the actuator. See page A-39 for details on cables.
 (*2) After homing, the slider moves to the ME; therefore, please watch for any interference with the surrounding objects.
 ME: Mechanical end
 SE: Stroke end

② Compatible Controllers

The RCA2 series actuators can operate with the controllers below. Select the controller according to your usage.

Name	External View	Model	Description	Max. Positioning Points	Input Voltage	Power Supply Capacity	Standard Price	See Page			
Solenoid Valve Type		AMEC-C-201 ^① -NP-2-1	Easy-to-use controller, even for beginners	3 points	AC100V	2.4A rated	-	→ P477			
		ASEP-C-201 ^① -NP-2-0	Operable with same signal as solenoid valve. Supports both single and double solenoid types. No homing necessary with simple absolute type.					→ P487			
Splash-Proof Solenoid Valve Type		ASEP-CW-201 ^① -NP-2-0	Positioning is possible for up to 512 points	DC24V				(Standard) 1.3A rated 4.4A max.	-	→ P535	
Positioner Type		ACON-C-201 ^① -NP-2-0									
Safety-Compliant Positioner Type		ACON-CG-201 ^① -NP-2-0									
Pulse Train Input Type (Differential Line Driver)		ACON-PL-201 ^① -NP-2-0	Pulse train input type with differential line driver support	(-)				DC24V	(Power-saving) 1.3A rated 2.5A max.	-	→ P503
Pulse Train Input Type (Open Collector)		ACON-PO-201 ^① -NP-2-0	Pulse train input type with open collector support								
Serial Communication Type		ACON-SE-201 ^① -N-0-0	Dedicated to serial communication	64 points							
Field Network Type		RACON-20 ^①	Dedicated to field network	768 points							
Program Control Type		ASEL-C-1-201 ^① -NP-2-0	Programmed operation is possible. Operation is possible on up to 2 axes	1500 points							

* This is for the single-axis ASEL.
 * ① is a placeholder for the code "LA", if the power-saving option is specified.



RCA2-TA6C 306

- Slider Type
- Mini
- Standard
- Controllers Integrated
- Rod Type
- Mini
- Standard
- Controllers Integrated
- Table/Arm/Flat Type
- Mini
- Standard
- Gripper/Rotary Type
- Linear Servo Type
- Cleanroom Type
- Splash Proof
- Controllers
- PMEC/AMEC
- PSEP/ASEP
- ROBO NET
- ERC2
- PCON
- ACON
- SCON
- PSEL
- ASEL
- SSEL
- XSEL
- Pulse Motor
- Servo Motor (24V)
- Servo Motor (200V)
- Linear Servo Motor

RCA2-TA7C

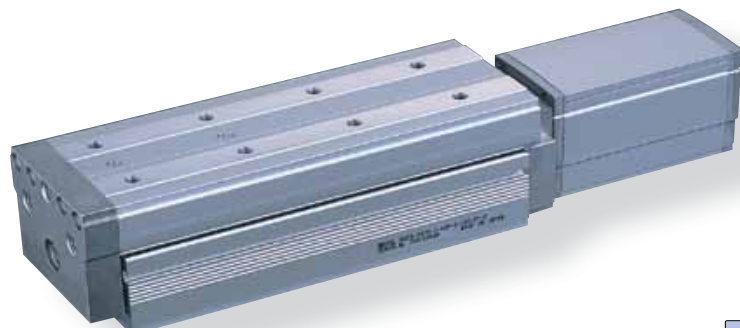
ROBO Cylinder Table Type Motor Unit Coupled 75mm Width 24V Servo Motor Ball Screw

■ Configuration: **RCA2** — **TA7C** — **I** — **30** — — — — —

Series	Type	Encoder	Motor	Lead	Stroke	Compatible Controllers	Cable Length	Option
I: Incremental * The simple absolute encoder is also considered type "I".	30: 30W Servo motor	12 : 12mm 6 : 6mm 3 : 3mm	25: 25mm) 200: 200mm (25mm pitch increments)	A1: ACON RACON ASEL A3: AMEC ASEP	N : None P : 1m S : 3m M : 5m X <input type="checkbox"/> : Custom	See Options below		

* See page Pre-35 for an explanation of the naming convention.

Power-saving



Technical References P. A-5

- POINT** Notes on Selection
- (1) Please note that the maximum speed is different when used horizontally versus vertically.
 - (2) The load capacity is based on operation at an acceleration of 0.3G (0.2G for the 3mm-lead model, or when used vertically). This is the upper limit of the acceleration.

Actuator Specifications

■ Lead and Load Capacity

Model	Motor Output (W)	Lead (mm)	Max. Load Capacity		Rated Thrust (N)	Stroke (mm)
			Horizontal (kg)	Vertical (kg)		
RCA2-TA7C-I-30-12-①-②-③-④	30	12	4	1	26	25~200 (25mm increments)
RCA2-TA7C-I-30-6-①-②-③-④		6	6	2.5	53	
RCA2-TA7C-I-30-3-①-②-③-④		3	8	4	105	

Legend: ① Stroke ② Compatible controller ③ Cable length ④ Options

■ Stroke and Maximum Speed

Lead	Stroke	
	25 ~ 200 (25mm increments)	25 ~ 200 (25mm increments)
12	600 <580>	
6	300	
3	150	

* The values enclosed in "<" ">" apply to vertical usage. (Unit: mm/s)

① Stroke List

Stroke (mm)	Standard Price
25	-
50	-
75	-
100	-
125	-
150	-
175	-
200	-

③ Cable List

Type	Cable Symbol	Standard Price
Standard Type (Robot Cables)	P (1m)	-
	S (3m)	-
	M (5m)	-
Special Lengths	X06 (6m) ~ X10 (10m)	-
	X11 (11m) ~ X15 (15m)	-
	X16 (16m) ~ X20 (20m)	-

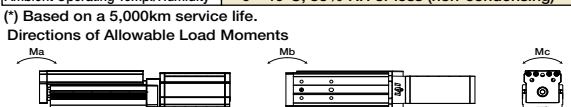
* The RCA2 comes standard with a robot cable.
* See page A-39 for cables for maintenance.

④ Options List

Name	Option Code	Standard Price	Standard Price
Brake	B	→ A-25	-
Cable exit direction (Top)	CJT	→ A-25	-
Cable exit direction (Right)	CJR	→ A-25	-
Cable exit direction (Left)	CJL	→ A-25	-
Cable exit direction (Bottom)	CJB	→ A-25	-
Power-saving	LA	→ A-32	-
Reversed-home	NM	→ A-33	-

Actuator Specifications

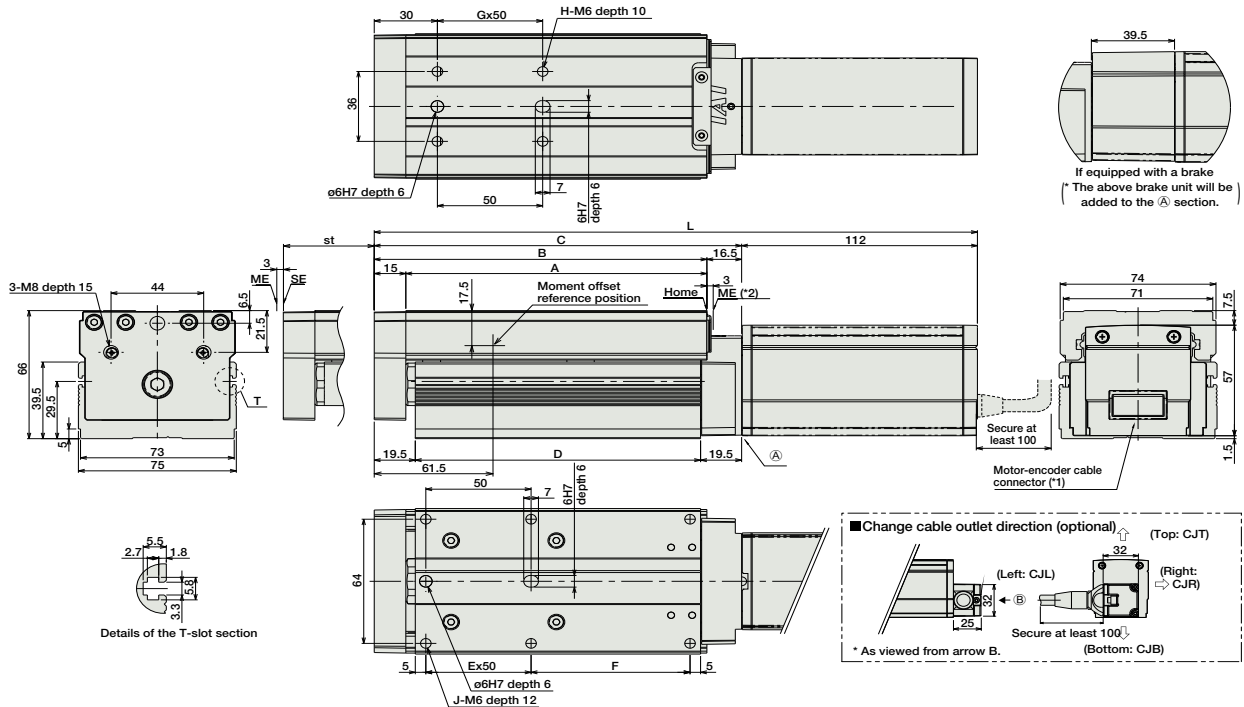
Item	Description
Drive System	Ball screw ϕ 10mm C10 grade
Positioning Repeatability	\pm 0.02mm
Lost Motion	0.1mm or less
Base	Material: Aluminum (special alumite treated)
Allowable Static Moment	Ma: 42.6 N·m Mb: 60.8 N·m Mc: 123.2 N·m
Allowable Dynamic Moment (*)	Ma: 9.91 N·m Mb: 14.13 N·m Mc: 28.65 N·m
Overhang Load Length	Within the load moment range
Ambient Operating Temp./Humidity	0~40°C, 85% RH or less (non-condensing)



307 RCA2-TA7C

Dimensions

For Special Order P. A-9



(*1) The motor-encoder cable is connected directly to the motor cover of the actuator. See page A-39 for details on cables.
 (*2) After homing, the slider moves to the ME; therefore, please watch for any interference with the surrounding objects.
 ME: Mechanical end
 SE: Stroke end

■ Dimensions and Weight by Stroke * Adding a brake will increase the actuator's weight by 0.4kg.

Stroke	L								
	25	50	75	100	125	150	175	200	
L	No brake	261.5	286.5	311.5	336.5	361.5	386.5	411.5	436.5
	Brake-equipped	301	326	351	376	401	426	451	476
A	118	143	168	193	218	243	268	293	
B	133	158	183	208	233	258	283	308	
C	149.5	174.5	199.5	224.5	249.5	274.5	299.5	324.5	
D	110.5	135.5	160.5	185.5	210.5	235.5	260.5	285.5	
E	1	1	2	2	3	3	4	4	
F	50.5	75.5	50.5	75.5	50.5	75.5	50.5	75.5	
G	1	1	2	2	3	3	4	4	
H	4	4	6	6	8	8	10	10	
J	6	6	8	8	10	10	12	12	
Weight (kg)	2.1	2.3	2.5	2.8	3	3.2	3.4	3.6	

② Compatible Controllers

The RCA2 series actuators can operate with the controllers below. Select the controller according to your usage.

Name	External View	Model	Description	Max. Positioning Points	Input Voltage	Power Supply Capacity	Standard Price	See Page						
Solenoid Valve Type		AMEC-C-30①-NP-2-1	Easy-to-use controller, even for beginners	3 points	AC100V	2.4A rated	-	→ P477						
		ASEP-C-30①-NP-2-0	Operable with same signal as solenoid valve. Supports both single and double solenoid types. No homing necessary with simple absolute type.						→ P487					
Splash-Proof Solenoid Valve Type		ASEP-CW-30①-NP-2-0												
Positioner Type		ACON-C-30①-NP-2-0	Positioning is possible for up to 512 points	512 points				DC24V	(Standard) 1.3A rated 4.0A max. (Power-saving) 1.3A rated 2.2A max.	-				
Safety-Compliant Positioner Type		ACON-CG-30①-NP-2-0												
Pulse Train Input Type (Differential Line Driver)		ACON-PL-30①-NP-2-0	Pulse train input type with differential line driver support	(-)										→ P535
Pulse Train Input Type (Open Collector)		ACON-PO-30①-NP-2-0	Pulse train input type with open collector support											
Serial Communication Type		ACON-SE-30①-N-0-0	Dedicated to serial communication	64 points										
Field Network Type		RACON-30①	Dedicated to field network	768 points										→ P503
Program Control Type		ASEL-C-1-30①-NP-2-0	Programmed operation is possible. Operation is possible on up to 2 axes	1500 points							→ P567			

* This is for the single-axis ASEL.
 * ① is a placeholder for the code "LA", if the power-saving option is specified.

- Slider Type
- Mini
- Standard
- Controllers Integrated
- Rod Type
- Mini
- Standard
- Controllers Integrated
- Table/Arm /Flat Type
- Mini
- Standard
- Cripper/ Rotary Type
- Linear Servo Type
- Cleanroom Type
- Splash Proof
- Controllers
- PMEC /AMEC
- PSEP /ASEP
- ROBO NET
- ERC2
- PCON
- ACON
- SCON
- PSEL
- ASEL
- SSEL
- XSEL
- Pulse Motor
- Servo Motor (24V)
- Servo Motor (200V)
- Linear Servo Motor

RCA2-TA4R

ROBO Cylinder Mini Table Type Side-Mounted Motor 40mm Width 24V Servo Motor Ball Screw

■ Configuration: **RCA2** — **TA4R** — **I** — **10** — — — — —

Series — Type — Encoder — Motor — Lead — Stroke — Compatible Controllers — Cable Length — Option

I: Incremental
* The simple absolute encoder is also considered type "I".

10: 10W Servo motor

6: 6mm
4: 4mm
2: 2mm

20: 20mm
)
100: 100mm (10mm pitch increments)

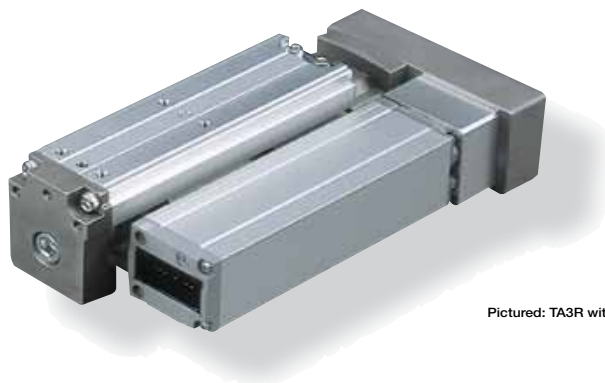
A1: ACON
RACON
ASEL
A3: AMEC
ASEP

N: None
P: 1m
S: 3m
M: 5m
X : Custom

See Options below
* Be sure to specify which side the motor is to be mounted (ML/MR).

* See page Pre-35 for an explanation of the naming convention.

Power-saving



Pictured: TA3R with left-mounted motor (ML).

Technical References P. A-5

4 POINT
Notes on Selection

(1) The load capacity is based on operation at an acceleration of 0.3G (0.2G for the 2mm-lead model, or when used vertically). 0.3G (0.2G for 2mm lead) is the upper limit of the acceleration.

Actuator Specifications

Lead and Load Capacity

Model	Motor Output (W)	Feed Screw	Lead (mm)	Max. Load Capacity		Rated Thrust (N)	Positioning Repeatability (mm)	Stroke (mm)
				Horizontal (kg)	Vertical (kg)			
RCA2-TA4R-I-10-6-①-②-③-④	10	Ball screw	6	1	0.5	28	±0.02	20~100 (10mm increments)
RCA2-TA4R-I-10-4-①-②-③-④			4	2	1	43		
RCA2-TA4R-I-10-2-①-②-③-④			2	3	1.5	85		

Legend: ① Stroke ② Compatible controller ③ Cable length ④ Options

Stroke and Maximum Speed

Lead	Stroke	
	20 ~ 100 (10mm increments)	20 ~ 100 (10mm increments)
Ball screw	6	300
	4	200
	2	100

(Unit: mm/s)

① Stroke List

Stroke (mm)	Standard Price
20	-
30	-
40	-
50	-
60	-
70	-
80	-
90	-
100	-

③ Cable List

Type	Cable Symbol	Standard Price
Standard Type (Robot Cables)	P (1m)	-
	S (3m)	-
	M (5m)	-
Special Lengths	X06 (6m) ~ X10 (10m)	-
	X11 (11m) ~ X15 (15m)	-
	X16 (16m) ~ X20 (20m)	-
		-

* The RCA2 comes standard with a robot cable.
* See page A-39 for cables for maintenance.

④ Option List

Name	Option Code	See Page	Standard Price
Brake	B	→ A-25	-
Cable exit direction (Top)	CJT	→ A-25	-
Cable exit direction (Outside)	CJO		
Cable exit direction (Bottom)	CJB		
Power-saving	LA	→ A-32	-
Left-Mounted Motor (Standard)	ML	→ A-33	-
Right-mounted motor	MR	→ A-33	-
Reversed-home	NM	→ A-33	-

Actuator Specifications

Item	Description
Drive System	Ball screw ø6mm C10 grade
Lost Motion	0.1mm or less
Base	Material: Aluminum (white alumite treated)
Allowable Dynamic Moment (Note)	Ma: 4.2 N·m Mb: 6 N·m Mc: 8.2 N·m
Ambient Operating Temp./Humidity	0~40°C, 85% RH or less (non-condensing)

(Note) Based on a 5,000km service life.

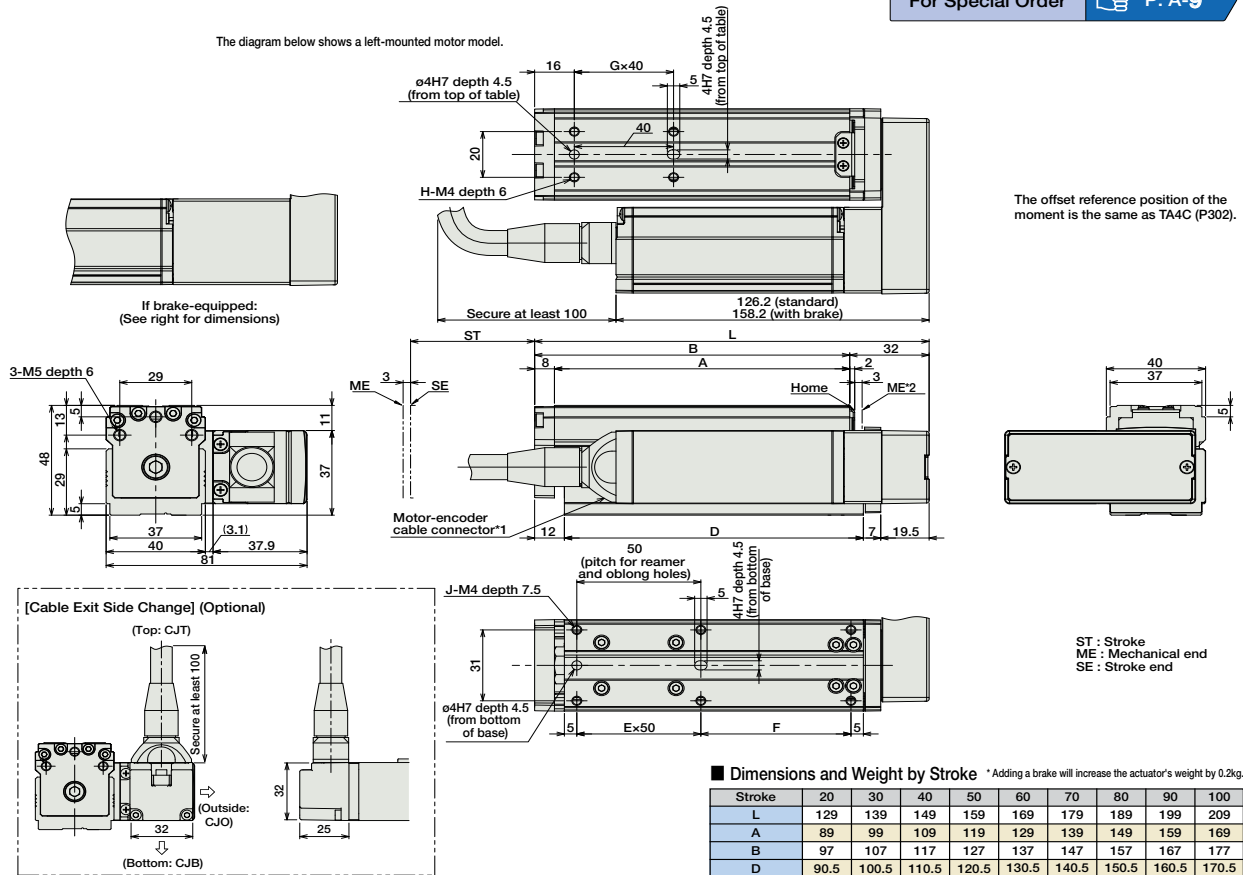
309

RCA2-TA4R

Dimensions

For Special Order  P. A-9

The diagram below shows a left-mounted motor model.



The offset reference position of the moment is the same as TA4C (P302).

ST : Stroke
ME : Mechanical end
SE : Stroke end

■ Dimensions and Weight by Stroke * Adding a brake will increase the actuator's weight by 0.2kg.

Stroke	20	30	40	50	60	70	80	90	100
L	129	139	149	159	169	179	189	199	209
A	89	99	109	119	129	139	149	159	169
B	97	107	117	127	137	147	157	167	177
D	90.5	100.5	110.5	120.5	130.5	140.5	150.5	160.5	170.5
E	1	1	1	1	2	2	2	2	2
F	30.5	40.5	50.5	60.5	20.5	30.5	40.5	50.5	60.5
G	1	1	1	1	2	2	2	2	2
H	4	4	4	4	6	6	6	6	6
J	6	6	6	6	8	8	8	8	8
Weight (kg)	0.8	0.9	0.9	0.9	1.0	1.0	1.0	1.1	1.1

- *1 The motor-encoder cable is connected directly to the motor cover of the actuator. See page A-39 for details on cables.
- *2 When homing, the slider moves to the mechanical end; therefore, please watch for any interference with the surrounding objects.

② Compatible Controllers

The RCA2 series actuators can operate with the controllers below. Select the controller according to your usage.

Name	External View	Model	Description	Max. Positioning Points	Input Voltage	Power Supply Capacity	Standard Price	See Page
Solenoid Valve Type		AMEC-C-10①-NP-2-1	Easy-to-use controller, even for beginners	3 points	AC100V	2.4A rated	-	→ P477
		ASEP-C-10①-NP-2-0	Operable with same signal as solenoid valve. Supports both single and double solenoid types. No homing necessary with simple absolute type.					→ P487
Splash-Proof Solenoid Valve Type		ASEP-CW-10①-NP-2-0						
Positioner Type		ACON-C-10①-NP-2-0	Positioning is possible for up to 512 points	512 points	DC24V	(Standard) 1.3A rated 4.4A max. (Power-saving) 1.3A rated 2.5A max.	-	
Safety-Compliant Positioner Type		ACON-CG-10①-NP-2-0						
Pulse Train Input Type (Differential Line Driver)		ACON-PL-10①-NP-2-0	Pulse train input type with differential line driver support	(-)	DC24V	(Standard) 1.3A rated 4.4A max. (Power-saving) 1.3A rated 2.5A max.	-	→ P535
Pulse Train Input Type (Open Collector)		ACON-PO-10①-NP-2-0	Pulse train input type with open collector support					
Serial Communication Type		ACON-SE-10①-N-0-0	Dedicated to serial communication	64 points				
Field Network Type		RACON-10①	Dedicated to field network	768 points				→ P503
Program Control Type		ASEL-C-1-10①-NP-2-0	Programmed operation is possible. Operation is possible on up to 2 axes	1500 points				→ P567

* This is for the single-axis ASEL.
* ① is a placeholder for the code "LA", if the power-saving option is specified.



RCA2-TA4R **310**

- Slider Type
- Mini
- Standard
- Controllers Integrated
- Rod Type
- Mini
- Standard
- Controllers Integrated
- Table/Arm /Flat Type
- Mini
- Standard
- Gripper/ Rotary Type
- Linear Servo Type
- Cleanroom Type
- Splash Proof
- Controllers
- PMEC /AMEC
- PSEP /ASEP
- ROBO NET
- ERC2
- PCON
- ACON
- SCON
- PSEL
- ASEL
- SSEL
- XSEL
- Pulse Motor
- Servo Motor (24V)
- Servo Motor (200V)
- Linear Servo Motor

RCA2-TA5R

ROBO Cylinder Table Type Side-Mounted Motor 55mm Width 24V Servo Motor Ball Screw

■ Configuration: **RCA2** — **TA5R** — **I** — **20** — — — — —

Series — Type — Encoder — Motor — Lead — Stroke — Compatible Controllers — Cable Length — Option

I: Incremental
* The simple absolute encoder is also considered type "I".

20: 20W Servo motor

Lead: 10 : 10mm
5 : 5mm
2.5 : 2.5mm

Stroke: 25: 25mm
100: 100mm (25mm pitch increments)

Compatible Controllers:
A1: ACON
RACON
ASEL
A3: AMEC
ASEP

Cable Length:
N : None
P : 1m
S : 3m
M : 5m
X : Custom

See Options below
* Be sure to specify which side the motor is to be mounted (ML/MR).

* See page Pre-35 for an explanation of the naming convention.

Power-saving



Technical References P. A-5

POINT Notes on Selection

- Please note that the maximum speed is different when used horizontally versus vertically.
- The load capacity is based on operation at an acceleration of 0.3G (0.2G for the 2.5mm-lead model, or when used vertically). This is the upper limit of the acceleration.

Actuator Specifications

■ Lead and Load Capacity

Model	Motor Output (W)	Lead (mm)	Max. Load Capacity		Rated Thrust (N)	Stroke (mm)
			Horizontal (kg)	Vertical (kg)		
RCA2-TA5R-I-20-10-①-②-③-④	20	10	2	1	34	25~100 (25mm increments)
RCA2-TA5R-I-20-5-①-②-③-④		5	3.5	2	68	
RCA2-TA5R-I-20-2.5-①-②-③-④		2.5	5	3	137	

Legend: ① Stroke ② Compatible controller ③ Cable length ④ Options

■ Stroke and Maximum Speed

Lead	Stroke	
	25 ~ 100 (25mm increments)	25 ~ 100 (25mm increments)
10	465 <400>	
5	250	
2.5	125	

* The values enclosed in "< >" apply to vertical usage. (Unit: mm/s)

① Stroke List

Stroke (mm)	Standard Price
25	-
50	-
75	-
100	-

③ Cable List

Type	Cable Symbol	Standard Price
Standard Type (Robot Cables)	P (1m)	-
	S (3m)	-
	M (5m)	-
Special Lengths	X06 (6m) ~ X10 (10m)	-
	X11 (11m) ~ X15 (15m)	-
	X16 (16m) ~ X20 (20m)	-
		-

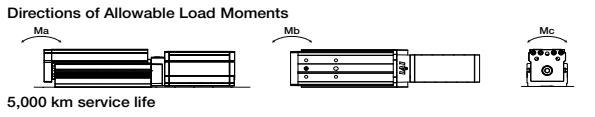
* The standard cable is the motor-encoder integrated robot cable.
* See page A-39 for cables for maintenance.

④ Option List

Name	Option Code	See Page	Standard Price
Brake	B	→ A-25	-
Cable exit direction (Top)	CJT		
Cable exit direction (Outside)	CJO	→ A-25	-
Cable exit direction (Bottom)	CJB		
Power-saving	LA	→ A-32	-
Left-Mounted Motor (Standard)	ML	→ A-33	-
Right-mounted motor	MR	→ A-33	-
Reversed-home	NM	→ A-33	-

Actuator Specifications

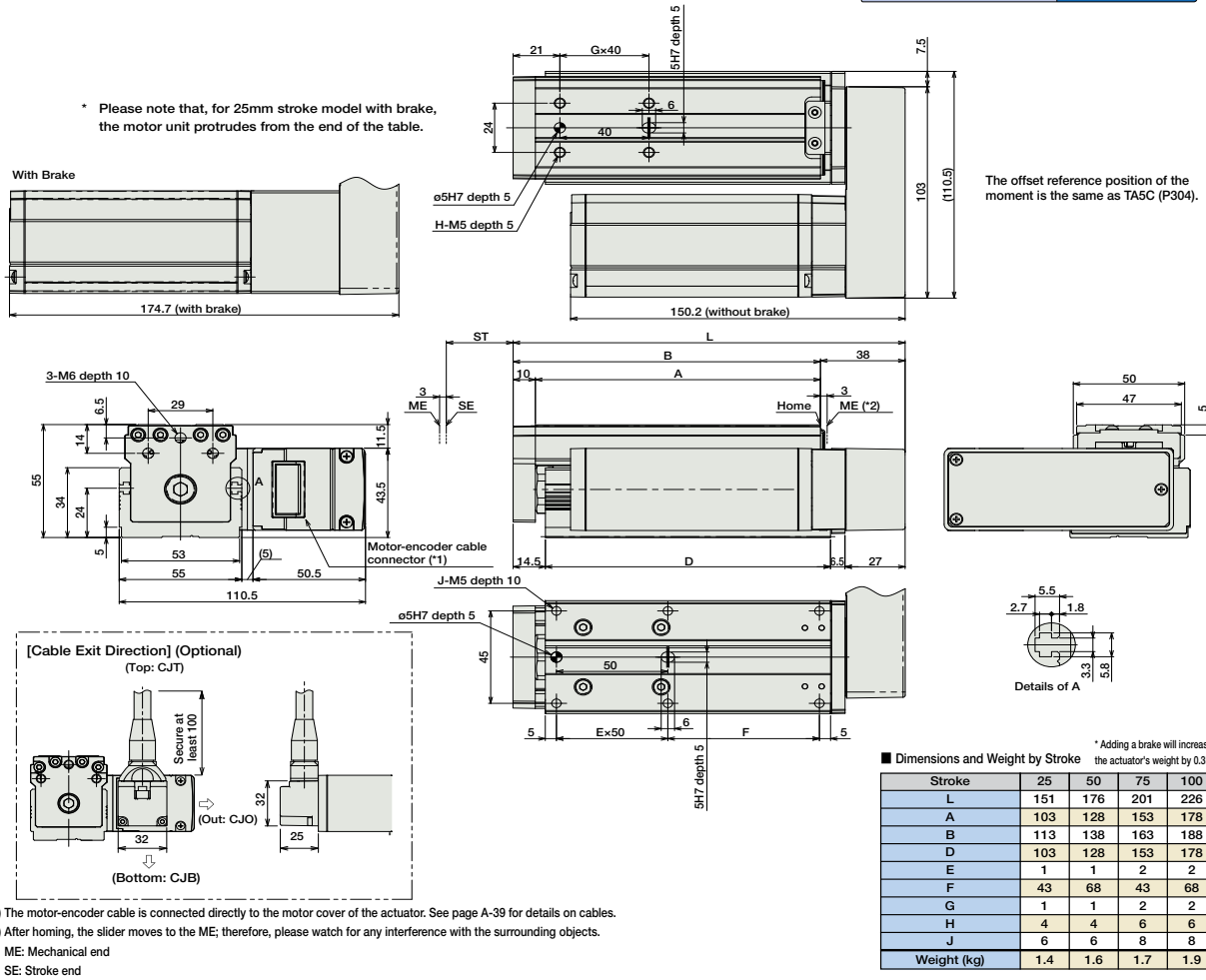
Item	Description
Drive System	Ball screw ø8mm C10 grade
Positioning Repeatability	±0.02mm
Lost Motion	0.1mm or less
Base	Material: Aluminum (special alumite treated)
Allowable Static Load Moment	Ma: 25.5 N·m Mb: 36.5 N·m Mc: 56.1 N·m
Allowable Dynamic Load Moment	Ma: 6.57 N·m Mb: 9.32 N·m Mc: 14.32 N·m
Overhang Load Length	Within the load moment range
Ambient Operating Temp./Humidity	0~40°C, 85% RH or less (non-condensing)



311 RCA2-TA5R

Dimensions

For Special Orders P. A-9



② Compatible Controllers

The RCA2 series actuators can operate with the controllers below. Select the controller according to your usage.

Name	External View	Model	Description	Max. Positioning Points	Input Voltage	Power Supply Capacity	Standard Price	See Page
Solenoid Valve Type		AMEC-C-20SI①-NP-2-1	Easy-to-use controller, even for beginners	3 points	AC100V	2.4A rated	-	→ P477
		ASEP-C-20SI①-NP-2-0	Operable with same signal as solenoid valve. Supports both single and double solenoid types. No homing necessary with simple absolute type.					→ P487
Splash-Proof Solenoid Valve Type		ASEP-CW-20SI①-NP-2-0						
Positioner Type		ACON-C-20SI①-NP-2-0	Positioning is possible for up to 512 points	512 points	DC24V	(Standard) 1.3A rated 4.4A max. (Power-saving) 1.3A rated 2.5A max.	-	
Safety-Compliant Positioner Type		ACON-CG-20SI①-NP-2-0						
Pulse Train Input Type (Differential Line Driver)		ACON-PL-20SI①-NP-2-0	Pulse train input type with differential line driver support	(-)	DC24V	(Power-saving) 1.3A rated 2.5A max.	-	→ P535
Pulse Train Input Type (Open Collector)		ACON-PO-20SI①-NP-2-0	Pulse train input type with open collector support					
Serial Communication Type		ACON-SE-20SI①-N-0-0	Dedicated to serial communication	64 points				
Field Network Type		RACON-20S①	Dedicated to field network	768 points				→ P503
Program Control Type		ASEL-C-1-20SI①-NP-2-0	Programmed operation is possible. Operation is possible on up to 2 axes	1500 points				→ P567

* This is for the single-axis ASEL.
 * ① is a placeholder for the code "LA", if the power-saving option is specified.

- Slider Type
- Mini
- Standard
- Controllers Integrated
- Rod Type
- Mini
- Standard
- Controllers Integrated
- Table/Arm /Flat Type
- Mini
- Standard
- Gripper/ Rotary Type
- Linear Servo Type
- Cleanroom Type
- Splash Proof
- Controllers
- PMEC /AMEC
- PSEP /ASEP
- ROBO NET
- ERC2
- PCON
- ACON
- SCON
- PSEL
- ASEL
- SSEL
- XSEL
- Pulse Motor
- Servo Motor (24V)
- Servo Motor (200V)
- Linear Servo Motor

RCA2-TA6R

ROBO Cylinder Table Type Side-Mounted Motor 65mm Width 24V Servo Motor Ball Screw

■ Configuration: **RCA2** — **TA6R** — **I** — **20** — — — — —

Series — Type — Encoder — Motor — Lead — Stroke — Compatible Controllers — Cable Length — Option

I: Incremental
* The simple absolute encoder is also considered type "I".

20: 20W Servo motor

Lead: 12: 12mm
6: 6mm
3: 3mm

Stroke: 25: 25mm
150: 150mm (25mm pitch increments)

Compatible Controllers: A1: ACON, RACON, ASEL, A3: AMEC, ASEP

Cable Length: N: None, P: 1m, S: 3m, M: 5m, X : Custom

See Options below
* Be sure to specify which side the motor is to be mounted (ML/MR).

* See page Pre-35 for an explanation of the naming convention.

Power-saving



Technical References P. A-5

POINT Notes on Selection

- Please note that the maximum speed is different when used horizontally versus vertically.
- The load capacity is based on operation at an acceleration of 0.3G (0.2G for the 3mm-lead model, or when used vertically). This is the upper limit of the acceleration.

Actuator Specifications

■ Lead and Load Capacity

Model	Motor Output (W)	Lead (mm)	Max. Load Capacity		Rated Thrust (N)	Stroke (mm)
			Horizontal (kg)	Vertical (kg)		
RCA2-TA6R-I-20-12-①-②-③-④	20	12	2	0.5	17	25~150 (25mm increments)
RCA2-TA6R-I-20-6-①-②-③-④		6	4	1.5	34	
RCA2-TA6R-I-20-3-①-②-③-④		3	6	3	68	

Legend: ① Stroke ② Compatible controller ③ Cable length ④ Options

■ Stroke and Maximum Speed

Lead	Stroke	
	25 ~ 150 (25mm increments)	560 <500>
12	560 <500>	
6	300	
3	150	

* The values enclosed in '<' >' apply to vertical usage. (Unit: mm/s)

① Stroke List

Stroke (mm)	Standard Price
25	-
50	-
75	-
100	-
125	-
150	-

③ Cable List

Type	Cable Symbol	Standard Price
Standard Type (Robot Cables)	P (1m)	-
	S (3m)	-
	M (5m)	-
Special Lengths	X06 (6m) ~ X10 (10m)	-
	X11 (11m) ~ X15 (15m)	-
	X16 (16m) ~ X20 (20m)	-
		-

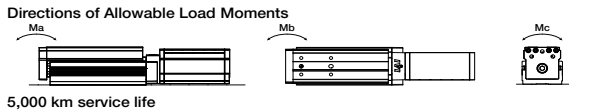
* The standard cable is the motor-encoder integrated robot cable.
* See page A-39 for cables for maintenance.

④ Option List

Name	Option Code	See Page	Standard Price
Brake	B	→ A-25	-
Cable exit direction (Top)	CJT	→ A-25	-
Cable exit direction (Outside)	CJO		
Cable exit direction (Bottom)	CJB		
Power-saving	LA	→ A-32	-
Left-mounted Motor (Standard)	ML	→ A-33	-
Right-mounted motor	MR	→ A-33	-
Reversed-home	NM	→ A-33	-

Actuator Specifications

Item	Description
Drive System	Ball screw ø10mm C10 grade
Positioning Repeatability	±0.02mm
Lost Motion	0.1mm or less
Base	Material: Aluminum (special alumite treated)
Allowable Static Load Moment	Ma: 29.4 N·m Mb: 42.0 N·m Mc: 74.1 N·m
Allowable Dynamic Load Moment	Ma: 7.26 N·m Mb: 10.3 N·m Mc: 18.25 N·m
Overhang Load Length	Within the load moment range
Ambient Operating Temp./Humidity	0~40°C, 85% RH or less (non-condensing)

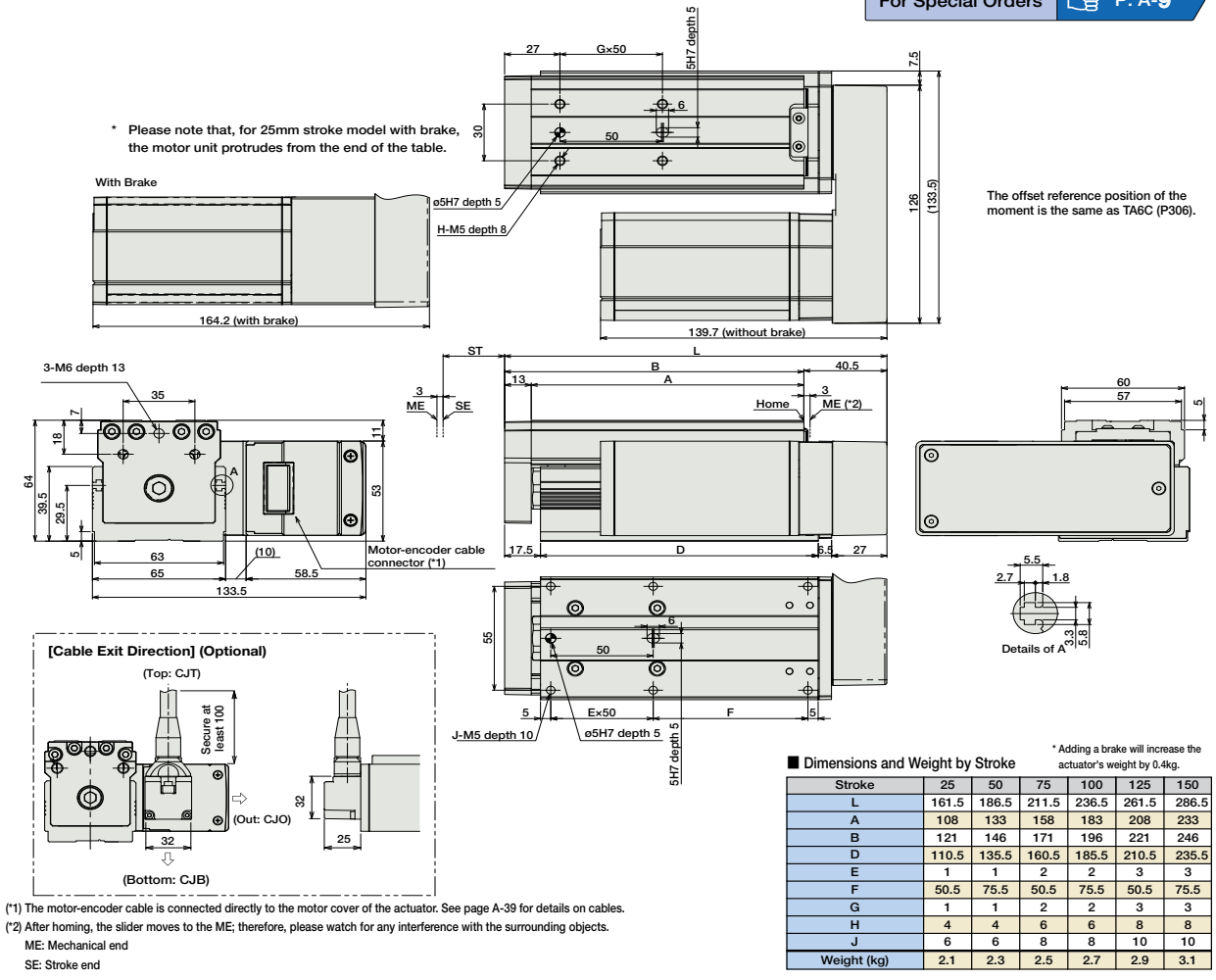


313 RCA2-TA6R

- Slider Type
- Mini
- Standard
- Controllers Integrated
- Rod Type
- Mini
- Standard
- Controllers Integrated
- Table/Arm /Flat Type
- Mini
- Standard
- Gripper/ Rotary Type
- Linear Servo Type
- Cleanroom Type
- Splash Proof
- Controllers
- PMEC /AMEC
- PSEP /ASEP
- ROBO NET
- ERC2
- PCON
- ACON
- SCON
- PSEL
- ASEL
- SSEL
- XSEL
- Pulse Motor
- Servo Motor (24V)
- Servo Motor (200V)
- Linear Servo Motor

Dimensions

For Special Orders P. A-9



(*1) The motor-encoder cable is connected directly to the motor cover of the actuator. See page A-39 for details on cables.
 (*2) After homing, the slider moves to the ME; therefore, please watch for any interference with the surrounding objects.
 ME: Mechanical end
 SE: Stroke end

② Compatible Controllers

The RCA2 series actuators can operate with the controllers below. Select the controller according to your usage.

Name	External View	Model	Description	Max. Positioning Points	Input Voltage	Power Supply Capacity	Standard Price	See Page
Solenoid Valve Type		AMEC-C-20I①-NP-2-1	Easy-to-use controller, even for beginners	3 points	AC100V	2.4A rated	-	→ P477
		ASEP-C-20I①-NP-2-0	Operable with same signal as solenoid valve. Supports both single and double solenoid types. No homing necessary with simple absolute type.					→ P487
Splash-Proof Solenoid Valve Type		ASEP-CW-20I①-NP-2-0						
Positioner Type		ACON-C-20I①-NP-2-0	Positioning is possible for up to 512 points	512 points	DC24V	(Standard) 1.3A rated 4.4A max. (Power-saving) 1.3A rated 2.5A max.	-	
Safety-Compliant Positioner Type		ACON-CG-20I①-NP-2-0						
Pulse Train Input Type (Differential Line Driver)		ACON-PL-20I①-NP-2-0	Pulse train input type with differential line driver support	(-)	DC24V	(Standard) 1.3A rated 4.4A max. (Power-saving) 1.3A rated 2.5A max.	-	→ P535
Pulse Train Input Type (Open Collector)		ACON-PO-20I①-NP-2-0	Pulse train input type with open collector support					
Serial Communication Type		ACON-SE-20I①-N-0-0	Dedicated to serial communication	64 points				
Field Network Type		RACON-20①	Dedicated to field network	768 points				→ P503
Program Control Type		ASEL-C-1-20I①-NP-2-0	Programmed operation is possible Operation is possible on up to 2 axes	1500 points				→ P567

* This is for the single-axis ASEL.
 * ① is a placeholder for the code "LA", if the power-saving option is specified.

- Slider Type
- Mini
- Standard
- Controllers Integrated
- Rod Type
- Mini
- Standard
- Controllers Integrated
- Table/Arm /Flat Type
- Mini
- Standard
- Gripper/ Rotary Type
- Linear Servo Type
- Cleanroom Type
- Splash Proof
- Controllers
- PMEC /AMEC
- PSEP /ASEP
- ROBO NET
- ERC2
- PCON
- ACON
- SCON
- PSEL
- ASEL
- SSEL
- XSEL
- Pulse Motor
- Servo Motor (24V)
- Servo Motor (200V)
- Linear Servo Motor

RCA2-TA7R

ROBO Cylinder Table Type Side-Mounted Motor 75mm Width 24V Servo Motor Ball Screw

■ Configuration: **RCA2** — **TA7R** — **I** — **30** — — — — —

Series — Type — Encoder — Motor — Lead — Stroke — Compatible Controllers — Cable Length — Option

I: Incremental
* The simple absolute encoder is also considered type "I".

30: 30W Servo motor

Lead: 12: 12mm
6: 6mm
3: 3mm

Stroke: 25: 25mm
)
200: 200mm (25mm pitch increments)

Compatible Controllers: A1: ACON, RACON, ASEL, A3: AMEC, ASEP

Cable Length: N: None, P: 1m, S: 3m, M: 5m, X : Custom

See Options below
* Be sure to specify which side the motor is to be mounted (ML/MR).

* See page Pre-35 for an explanation of the naming convention.

Power-saving



Technical References P. A-5

POINT Notes on Selection

- Please note that the maximum speed is different when used horizontally versus vertically.
- The load capacity is based on operation at an acceleration of 0.3G (0.2G for the 3mm-lead model, or when used vertically). This is the upper limit of the acceleration.

Actuator Specifications

■ Lead and Load Capacity

Model	Motor Output (W)	Lead (mm)	Max. Load Capacity		Rated Thrust (N)	Stroke (mm)
			Horizontal (kg)	Vertical (kg)		
RCA2-TA7R-I-30-12-①-②-③-④	30	12	4	1	26	25~200 (25mm increments)
RCA2-TA7R-I-30-6-①-②-③-④		6	6	2.5	53	
RCA2-TA7R-I-30-3-①-②-③-④		3	8	4	105	

Legend: ① Stroke ② Compatible controller ③ Cable length ④ Options

■ Stroke and Maximum Speed

Lead	Stroke	25 ~ 200 (25mm increments)
		12
6		300
3		150

* The values enclosed in "<" ">" apply to vertical usage. (Unit: mm/s)

① Stroke List

Stroke (mm)	Standard Price
25	-
50	-
75	-
100	-
125	-
150	-
175	-
200	-

③ Cable List

Type	Cable Symbol	Standard Price
Standard Type (Robot Cables)	P (1m)	-
	S (3m)	-
	M (5m)	-
Special Lengths	X06 (6m) ~ X10 (10m)	-
	X11 (11m) ~ X15 (15m)	-
	X16 (16m) ~ X20 (20m)	-
		-

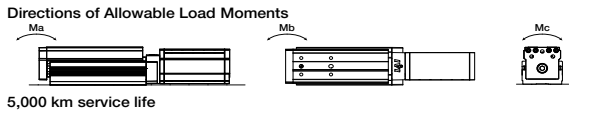
* The standard cable is the motor-encoder integrated robot cable.
* See page A-39 for cables for maintenance.

④ Option List

Name	Option Code	See Page	Standard Price
Brake	B	→ A-25	-
Cable exit direction (Top)	CJT	→ A-25	-
Cable exit direction (Outside)	CJO		
Cable exit direction (Bottom)	CJB		
Power-saving	LA	→ A-32	-
Left-mounted Motor (Standard)	ML	→ A-33	-
Right-mounted motor	MR	→ A-33	-
Reversed-home	NM	→ A-33	-

Actuator Specifications

Item	Description
Drive System	Ball screw ø10mm C10 grade
Positioning Repeatability	±0.02mm
Lost Motion	0.1mm or less
Base	Material: Aluminum (special alumite treated)
Allowable Static Load Moment	Ma: 42.6 N·m Mb: 60.8 N·m Mc: 123.2 N·m
Allowable Dynamic Load Moment	Ma: 9.91 N·m Mb: 14.13 N·m Mc: 28.65 N·m
Overhang Load Length	Within the load moment range
Ambient Operating Temp./Humidity	0~40°C, 85% RH or less (non-condensing)

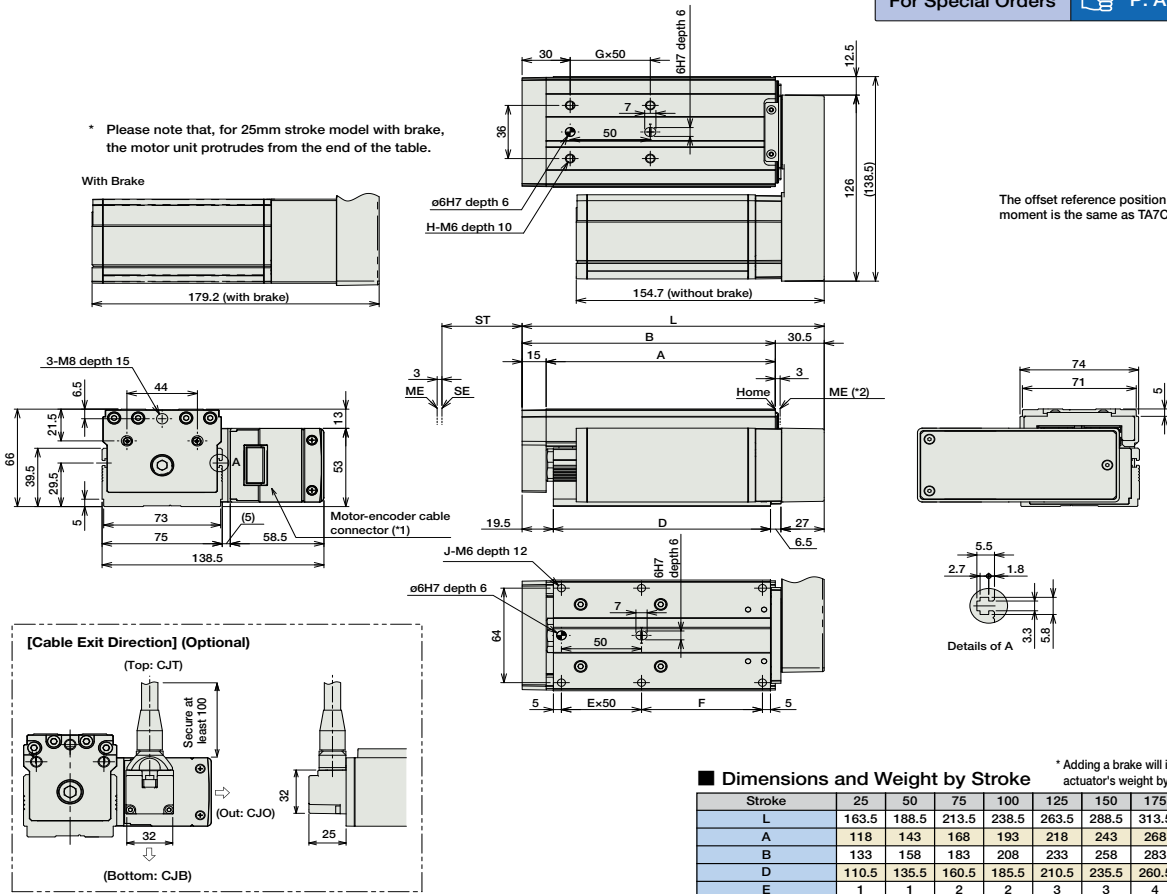


315 RCA2-TA7R

Dimensions

For Special Orders P. A-9

* Please note that, for 25mm stroke model with brake, the motor unit protrudes from the end of the table.



The offset reference position of the moment is the same as TA7C (P308).

■ Dimensions and Weight by Stroke

* Adding a brake will increase the actuator's weight by 0.4kg.

Stroke	25	50	75	100	125	150	175	200
L	163.5	188.5	213.5	238.5	263.5	288.5	313.5	338.5
A	118	143	168	193	218	243	268	293
B	133	158	183	208	233	258	283	308
D	110.5	135.5	160.5	185.5	210.5	235.5	260.5	285.5
E	1	1	2	2	3	3	4	4
F	50.5	75.5	50.5	75.5	50.5	75.5	50.5	75.5
G	1	1	2	2	3	3	4	4
H	4	4	6	6	8	8	10	10
J	6	6	8	8	10	10	12	12
Weight (kg)	2.4	2.6	2.8	3.1	3.3	3.5	3.7	3.9

(*1) The motor-encoder cable is connected directly to the motor cover of the actuator. See page A-39 for details on cables.
 (*2) After homing, the slider moves to the ME; therefore, please watch for any interference with the surrounding objects.
 ME: Mechanical end
 SE: Stroke end

② Compatible Controllers

The RCA2 series actuators can operate with the controllers below. Select the controller according to your usage.

Name	External View	Model	Description	Max. Positioning Points	Input Voltage	Power Supply Capacity	Standard Price	See Page
Solenoid Valve Type		AMEC-C-30I①-NP-2-1	Easy-to-use controller, even for beginners	3 points	AC100V	2.4A rated	-	→ P477
		ASEP-C-30I①-NP-2-0	Operable with same signal as solenoid valve. Supports both single and double solenoid types. No homing necessary with simple absolute type.					→ P487
Splash-Proof Solenoid Valve Type		ASEP-CW-30I①-NP-2-0						
Positioner Type		ACON-C-30I①-NP-2-0	Positioning is possible for up to 512 points	512 points	DC24V	(Standard) 1.3A rated 4.0A max.	-	
Safety-Compliant Positioner Type		ACON-CG-30I①-NP-2-0						
Pulse Train Input Type (Differential Line Driver)		ACON-PL-30I①-NP-2-0	Pulse train input type with differential line driver support	(-)	DC24V	(Power-saving) 1.3A rated 2.2A max.	-	→ P535
Pulse Train Input Type (Open Collector)		ACON-PO-30I①-NP-2-0	Pulse train input type with open collector support					
Serial Communication Type		ACON-SE-30I①-N-0-0	Dedicated to serial communication	64 points				
Field Network Type		RACON-30①	Dedicated to field network	768 points				→ P503
Program Control Type		ASEL-C-1-30I①-NP-2-0	Programmed operation is possible. Operation is possible on up to 2 axes	1500 points				→ P567

* This is for the single-axis ASEL.
 * ① is a placeholder for the code "LA", if the power-saving option is specified.

- Slider Type
- Mini
- Standard
- Controllers Integrated
- Rod Type
- Mini
- Standard
- Controllers Integrated
- Table/Arm /Flat Type
- Mini
- Standard
- Cripper/ Rotary Type
- Linear Servo Type
- Cleanroom Type
- Splash Proof
- Controllers
- PMEC /AMEC
- PSEP /ASEP
- ROBO NET
- ERC2
- PCON
- ACON
- SCON
- PSEL
- ASEL
- SSEL
- XSEL
- Pulse Motor
- Servo Motor (24V)
- Servo Motor (200V)
- Linear Servo Motor

RCA-A4R

ROBO Cylinder Arm Type Side-Mounted Motor 40mm Width 24V Servo Motor Ball Screw

■ Configuration: **RCA** — **A4R** — — **20** — — — — —

Series — Type — Encoder — Motor — Lead — Stroke — Compatible Controllers — Cable Length — Option

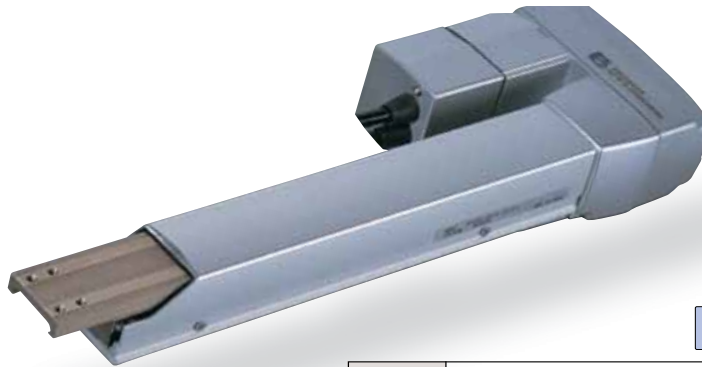
I : Incremental 20 : 20W servo motor 10 : 10mm 50 : 50mm 200 : 200mm (50mm pitch increments)
 A : Absolute motor 5 : 5mm

A1: ACON RACON ASEL A3: AMEC ASEP
 N : None P : 1m S : 3m M : 5m X : Custom R : Robot cable

* See Options below
 * Be sure to specify which side the motor is to be mounted (ML/MR).

* See page Pre-35 for an explanation of the naming convention.

Power-saving



Technical References P. A-5

- POINT** Notes on Selection
- When the stroke increases, the maximum speed will drop to prevent the ball screw from reaching the critical rotational speed. Use the actuator specification table below to check the maximum speed at the stroke you desire.
 - The load capacity is based on operation at an acceleration of 0.2G. This is the upper limit of the acceleration.

Actuator Specifications						Stroke and Maximum Speed	
■ Lead and Load Capacity						Stroke and Maximum Speed	
Model	Motor Output (W)	Lead (mm)	Max. Load Capacity Horizontal (kg) Vertical (kg)	Rated Thrust (N)	Stroke (mm)	Stroke Lead	50 ~ 200 (50mm increments)
RCA-A4R-①-20-10-②-③-④-B-⑤	20	10	- 2.5	39.2	50~200 (50mm increments)	10	330
RCA-A4R-①-20-5-②-③-④-B-⑤		5	- 4.5	78.4		5	165

Legend: ① Encoder ② Stroke ③ Compatible controller ④ Cable length ⑤ Options (Unit: mm/s)

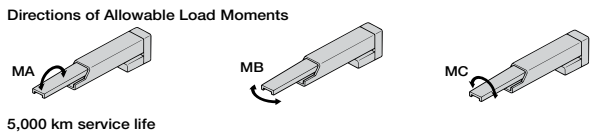
Encoder & Stroke List		
② Stroke (mm)	Standard Price	
	① Encoder	
	Incremental	Absolute
50	-	-
100	-	-
150	-	-
200	-	-

④ Cable List		
Type	Cable Symbol	Standard Price
Standard Type	P (1m)	-
	S (3m)	-
	M (5m)	-
Special Lengths	X06 (6m) ~ X10 (10m)	-
	X11 (11m) ~ X15 (15m)	-
	X16 (16m) ~ X20 (20m)	-
	R01 (1m) ~ R03 (3m)	-
Robot Cable	R04 (4m) ~ R05 (5m)	-
	R06 (6m) ~ R10 (10m)	-
	R11 (11m) ~ R15 (15m)	-
	R16 (16m) ~ R20 (20m)	-

* See page A-39 for cables for maintenance.

⑤ Option List			
Name	Option Code	See Page	Standard Price
Brake (standard)	B	→ A-25	-
Power-saving	LA	→ A-32	
Bottom-mounted motor	MB	→ A-33	
Right-mounted motor	MR	→ A-33	
Left-mounted motor	ML	→ A-33	
Reversed-home	NM	→ A-33	

Actuator Specifications	
Item	Description
Drive System	Ball screw ø8mm C10 grade (ball screw speed reduced by 1/2 by timing belt)
Positioning Repeatability	±0.02mm
Lost Motion	0.1mm or less
Base	Material: Aluminum (white alumite treated)
Allowable Load Moment	Ma: 2.7 N-m Mb: 3.1 N-m Mc: 2.9 N-m
Ambient Operating Temp./Humidity	0~40°C, 85% RH or less (non-condensing)



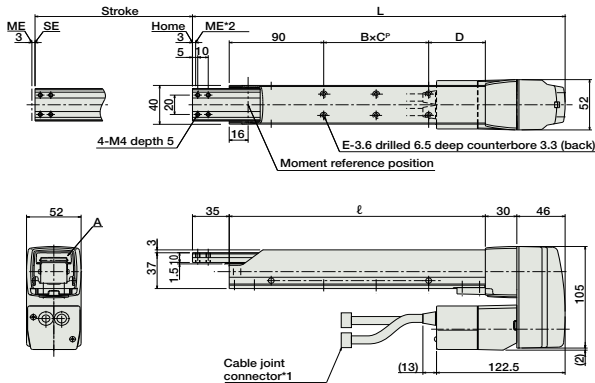
317 RCA-A4R

Dimensions

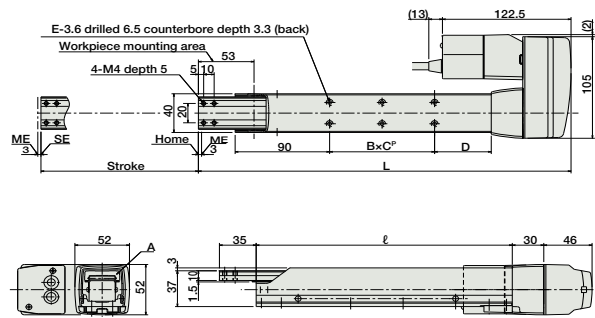
For Special Orders P. A-9

- *1 The motor-encoder cable is connected here. See page A-39 for details on cables.
- *2 When homing, the rod moves to the ME; therefore, please watch for any interference with the surrounding objects.
ME: Mechanical end SE: Stroke end

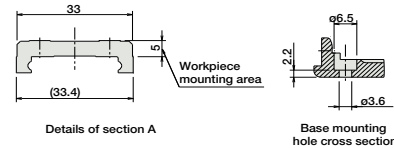
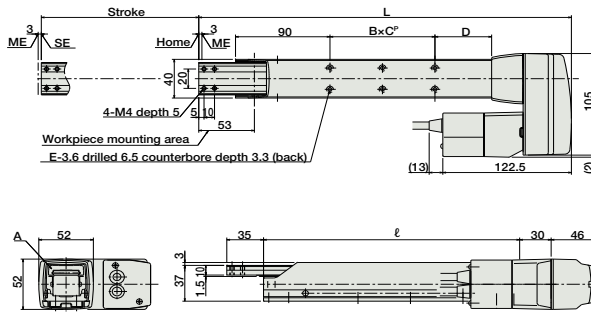
Bottom-mounted motor (option code: MB)



Right-mounted motor (option code: MR)



Left-mounted motor (option code: ML)



Dimensions and Weight by Stroke

Stroke	50	100	150	200
L	255	305	355	405
l	144	194	244	294
BxC*	1x19	1x50	2x50	2x50
D	35	54	54	104
E	4	4	6	6
Weight (kg)	1.7	1.8	2.0	2.1

Compatible Controllers

The RCA series actuators can operate with the controllers below. Select the controller according to your usage.

Name	External View	Model	Description	Max. Positioning Points	Input Voltage	Power Supply Capacity	Standard Price	See Page
Solenoid Valve Type		AMEC-C-20①②-NP-2-1	Easy-to-use controller, even for beginners	3 points	AC100V	2.4A rated	-	→ P477
		ASEP-C-20①②-NP-2-0	Operable with same signal as solenoid valve. Supports both single and double solenoid types. No homing necessary with simple absolute type.				-	→ P487
Splash-Proof Solenoid Valve Type		ASEP-CW-20①②-NP-2-0					-	
Positioner Type		ACON-C-20①②-NP-2-0	Positioning is possible for up to 512 points	512 points	DC24V	1.3A rated 4.4A peak	-	→ P535
Safety-Compliant Positioner Type		ACON-CG-20①②-NP-2-0					-	
Pulse Train Input Type (Differential Line Driver)		ACON-PL-20①②-NP-2-0	Pulse train input type with differential line driver support	(-)	DC24V	1.3A rated 4.4A peak	-	→ P535
Pulse Train Input Type (Open Collector)		ACON-PO-20①②-NP-2-0	Pulse train input type with open collector support				-	
Serial Communication Type		ACON-SE-20①②-N-0-0	Dedicated to serial communication	64 points			-	
Field Network Type		RACON-20②	Dedicated to field network	768 points			-	→ P503
Program Control Type		ASEL-C-1-20①②-NP-2-0	Programmed operation is possible. Operation is possible on up to 2 axes	1500 points			-	→ P567

* This is for the single-axis ASEL.
 * ① is a placeholder for the encoder type (I: incremental, A: absolute).
 * ② is a placeholder for the code "LA", if the power-saving option is specified.

- Slider Type
- Mini
- Standard
- Controllers Integrated
- Rod Type
- Mini
- Standard
- Controllers Integrated
- Table/Arm /Flat Type
- Mini
- Standard
- Gripper/ Rotary Type
- Linear Servo Type
- Cleanroom Type
- Splash Proof
- Controllers
- PMEC /AMEC
- PSEP /ASEP
- ROBO NET
- ERC2
- PCON
- ACON
- SCON
- PSEL
- ASEL
- SSEL
- XSEL
- Pulse Motor
- Servo Motor (24V)
- Servo Motor (200V)
- Linear Servo Motor

RCA-A5R

ROBO Cylinder Arm Type Side-Mounted Motor 52mm Width 24V Servo Motor Ball Screw

Configuration: RCA — A5R — [] — 20 — [] — [] — [] — [] — []

Series — Type — Encoder — Motor — Lead — Stroke — Compatible Controllers — Cable Length — Option

I : Incremental 20 : 20W servo 12 : 12mm 50 : 50mm A1 : ACON N : None
 A : Absolute motor 6 : 6mm 200 : 200mm RACON P : 1m
 * ASEL can only be used as the absolute encoder. (50mm pitch ASEL S : 3m
 Simple absolute encoders are considered incremental. increments) A3 : AMEC M : 5m
 See Options below ASEP X [] : Custom * Be sure to specify
 to be mounted (ML/MR). R [] : Robot cable

* See page Pre-35 for an explanation of the naming convention.

Power-saving



Technical References P. A-5

POINT Notes on Selection

(1) When the stroke increases, the maximum speed will drop to prevent the ball screw from reaching the critical rotational speed. Use the actuator specification table below to check the maximum speed at the stroke you desire.

(2) The load capacity is based on operation at an acceleration of 0.2G. This is the upper limit of the acceleration.

Actuator Specifications

Model	Motor Output (W)	Lead (mm)	Max. Load Capacity		Rated Thrust (N)	Stroke (mm)	Stroke and Maximum Speed	
			Horizontal (kg)	Vertical (kg)			Stroke	50 ~ 200 (50mm increments)
RCA-A5R-①-20-12-②-③-④-B-⑤	20	12	-	2	33.3	50~200 (50mm increments)	400	
RCA-A5R-①-20-6-②-③-④-B-⑤		6	-	4		200		

Legend: ① Encoder ② Stroke ③ Compatible controller ④ Cable length ⑤ Options (Unit: mm/s)

Encoder & Stroke List

② Stroke (mm)	Standard Price	
	① Encoder	
	Incremental	Absolute
50	-	-
100	-	-
150	-	-
200	-	-

④ Cable List

Type	Cable Symbol	Standard Price
Standard Type	P (1m)	-
	S (3m)	-
	M (5m)	-
Special Lengths	X06 (6m) ~ X10 (10m)	-
	X11 (11m) ~ X15 (15m)	-
	X16 (16m) ~ X20 (20m)	-
	R01 (1m) ~ R03 (3m)	-
Robot Cable	R04 (4m) ~ R05 (5m)	-
	R06 (6m) ~ R10 (10m)	-
	R11 (11m) ~ R15 (15m)	-
	R16 (16m) ~ R20 (20m)	-

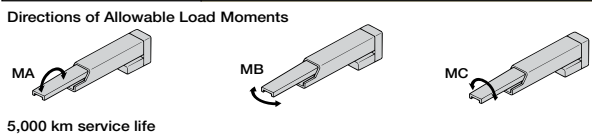
* See page A-39 for cables for maintenance.

⑤ Option List

Name	Option Code	See Page	Standard Price
Brake (standard)	B	→ A-25	-
Power-saving	LA	→ A-32	
Bottom-mounted motor	MB	→ A-33	
Right-mounted motor	MR	→ A-33	
Left-mounted motor	ML	→ A-33	
Reversed-home	NM	→ A-33	

Actuator Specifications

Item	Description
Drive System	Ball screw ø8mm C10 grade (ball screw speed reduced by 1/2 by timing belt)
Positioning Repeatability	±0.02mm
Lost Motion	0.1mm or less
Base	Material: Aluminum (white alumite treated)
Allowable Load Moment	Ma: 4.5 N·m Mb: 5.4 N·m Mc: 4.1 N·m
Ambient Operating Temp./Humidity	0 ~ 40°C, 85% RH or less (non-condensing)



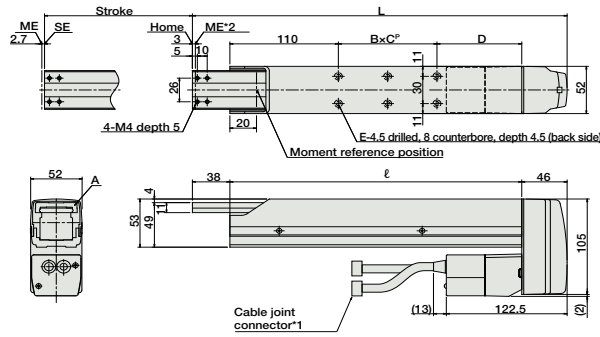
319 RCA-A5R

Dimensions

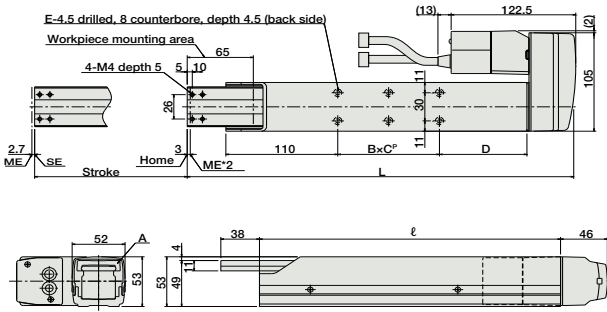
For Special Orders P. A-9

- *1 The motor-encoder cable is connected here. See page A-39 for details on cables.
 - *2 When homing, the rod moves to the ME; therefore, please watch for any interference with the surrounding objects.
- ME: Mechanical end SE: Stroke end

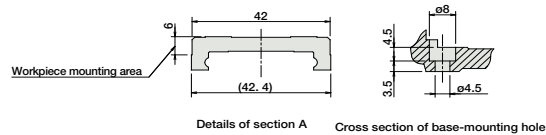
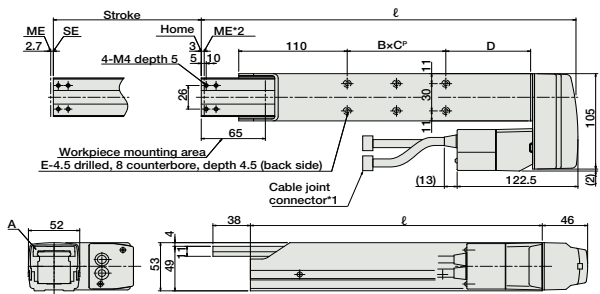
Bottom-mounted motor (option code: MB)



Right-mounted motor (option code: MR)



Left-mounted motor (option code: ML)



■ Dimensions and Weight by Stroke

Stroke	50	100	150	200
L	280	330	380	430
ℓ	196	246	296	346
B×C*	1×30	1×50	2×50	2×50
D	56	86	86	136
E	4	4	6	6
Weight (kg)	2.2	2.4	2.6	2.8

Note: The 50mm stroke model is only available with a right- or left-mounted motor. Please note that there is no 50mm stroke configuration for the standard model.

③ Compatible Controllers

The RCA series actuators can operate with the controllers below. Select the controller according to your usage.

Name	External View	Model	Description	Max. Positioning Points	Input Voltage	Power Supply Capacity	Standard Price	See Page
Solenoid Valve Type		AMEC-C-20i②-NP-2-1	Easy-to-use controller, even for beginners	3 points	AC100V	2.4A rated	-	→ P477
		ASEP-C-20i②-NP-2-0	Operable with same signal as solenoid valve. Supports both single and double solenoid types. No homing necessary with simple absolute type.					→ P487
Splash-Proof Solenoid Valve Type		ASEP-CW-20i②-NP-2-0						
Positioner Type		ACON-C-20i②-NP-2-0	Positioning is possible for up to 512 points	512 points	DC24V	1.3A rated 4.4A peak	-	
Safety-Compliant Positioner Type		ACON-CG-20i②-NP-2-0						
Pulse Train Input Type (Differential Line Driver)		ACON-PL-20i②-NP-2-0	Pulse train input type with differential line driver support	(-)	DC24V	1.3A rated 4.4A peak	-	→ P535
Pulse Train Input Type (Open Collector)		ACON-PO-20i②-NP-2-0	Pulse train input type with open collector support					
Serial Communication Type		ACON-SE-20i②-N-0-0	Dedicated to serial communication	64 points				
Field Network Type		RACON-20②	Dedicated to field network	768 points				→ P503
Program Control Type		ASEL-C-1-20①②-NP-2-0	Programmed operation is possible. Operation is possible on up to 2 axes	1500 points				→ P567

* This is for the single-axis ASEL.
 * ① is a placeholder for the encoder type (I: incremental, A: absolute).
 * ② is a placeholder for the code "LA", if the power-saving option is specified.

IAI

RCA-A5R **320**

- Slider Type
- Mini
- Standard
- Controllers Integrated
- Rod Type
- Mini
- Standard
- Controllers Integrated
- Table/Arm /Flat Type
- Mini
- Standard
- Gripper/ Rotary Type
- Linear Servo Type
- Cleanroom Type
- Splash Proof
- Controllers
- PMEC /AMEC
- PSEP /ASEP
- ROBO NET
- ERC2
- PCON
- ACON
- SCON
- PSEL
- ASEL
- SSEL
- XSEL
- Pulse Motor
- Servo Motor (24V)
- Servo Motor (200V)
- Linear Servo Motor

- Slider Type
- Mini
- Standard
- Controllers Integrated
- Rod Type
- Mini
- Standard
- Controllers Integrated
- Table/Arm/Flat Type
- Mini
- Standard
- Gripper/Rotary Type
- Linear Servo Type
- Cleanroom Type
- Splash Proof
- Controllers
- PMEC/AMEC
- PSEP/ASEP
- ROBO NET
- ERC2
- PCON
- ACON
- SCON
- PSEL
- ASEL
- SSEL
- XSEL
- Pulse Motor
- Servo Motor (24V)
- Servo Motor (200V)
- Linear Servo Motor

RCA-A6R

ROBO Cylinder Arm Type Side-Mounted Motor 58mm Width 24V Servo Motor Ball Screw

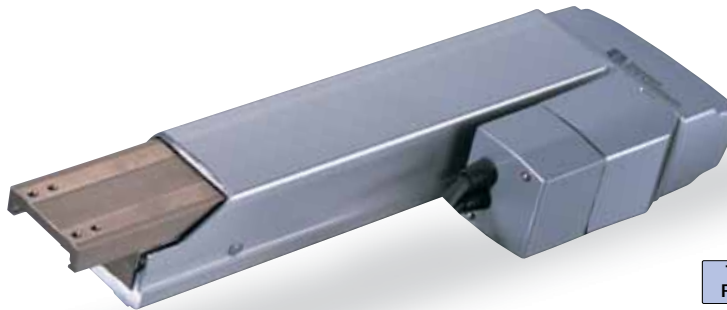
■ Configuration: **RCA** — **A6R** — — **30** — — — — — —

Series — Type — Encoder — Motor — Lead — Stroke — Compatible Controllers — Cable Length — Option

I : Incremental A : Absolute	30 : 30W servo motor	12 : 12mm 6 : 6mm	50: 50mm) 200: 200mm (50mm pitch increments)	A1: ACON RACON ASEL A3: AMEC ASEP	N : None P : 1m S : 3m M : 5m X <input type="checkbox"/> : Custom R <input type="checkbox"/> : Robot cable	See Options below * Be sure to specify which side the motor is to be mounted (ML/MR).
---------------------------------	----------------------	----------------------	--	---	---	--

* See page Pre-35 for an explanation of the naming convention.

Power-saving



Technical References P. A-5

- 4 POINT Notes on Selection
- (1) When the stroke increases, the maximum speed will drop to prevent the ball screw from reaching the critical rotational speed. Use the actuator specification table below to check the maximum speed at the stroke you desire.
 - (2) The load capacity is based on operation at an acceleration of 0.2G. This is the upper limit of the acceleration.

Actuator Specifications						
Lead and Load Capacity				Stroke and Maximum Speed		
Model	Motor Output (W)	Lead (mm)	Max. Load Capacity	Rated Thrust (N)	Stroke (mm)	Stroke/Lead
RCA-A6R- 1 -30-12- 2 - 3 - 4 -B- 5	30	12	Horizontal (kg) — Vertical (kg)	48.4	50~200 (50mm increments)	Stroke 50 ~ 200 (50mm increments)
RCA-A6R- 1 -30-6- 2 - 3 - 4 -B- 5		6	Horizontal (kg) — Vertical (kg)			Lead
Legend: 1 Encoder 2 Stroke 3 Compatible controller 4 Cable length 5 Options (Unit: mm/s)						

Encoder & Stroke List

② Stroke (mm)	Standard Price	
	① Encoder	
	Incremental	Absolute
	I	A
50	-	-
100	-	-
150	-	-
200	-	-

④ Cable List

Type	Cable Symbol	Standard Price
Standard Type	P (1m)	-
	S (3m)	-
	M (5m)	-
Special Lengths	X06 (6m) ~ X10 (10m)	-
	X11 (11m) ~ X15 (15m)	-
	X16 (16m) ~ X20 (20m)	-
	R01 (1m) ~ R03 (3m)	-
	R04 (4m) ~ R05 (5m)	-
Robot Cable	R06 (6m) ~ R10 (10m)	-
	R11 (11m) ~ R15 (15m)	-
	R16 (16m) ~ R20 (20m)	-

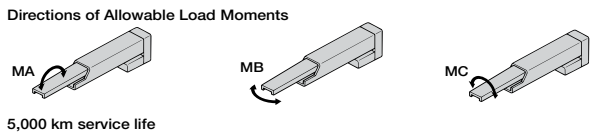
* See page A-39 for cables for maintenance.

⑤ Option List

Name	Option Code	See Page	Standard Price
Brake (standard)	B	→ A-25	-
Power-saving	LA	→ A-32	
Bottom-mounted motor	MB	→ A-33	
Right-mounted motor	MR	→ A-33	
Left-mounted motor	ML	→ A-33	
Reversed-home	NM	→ A-33	

Actuator Specifications

Item	Description
Drive System	Ball screw ø10mm C10 grade (ball screw speed reduced by 1/2 by timing belt)
Positioning Repeatability	±0.02mm
Lost Motion	0.1mm or less
Base	Material: Aluminum (white alumite treated)
Allowable Load Moment	Ma: 8.1 N·m Mb: 10.0 N·m Mc: 6.5 N·m
Ambient Operating Temp./Humidity	0 ~ 40°C, 85% RH or less (non-condensing)



321

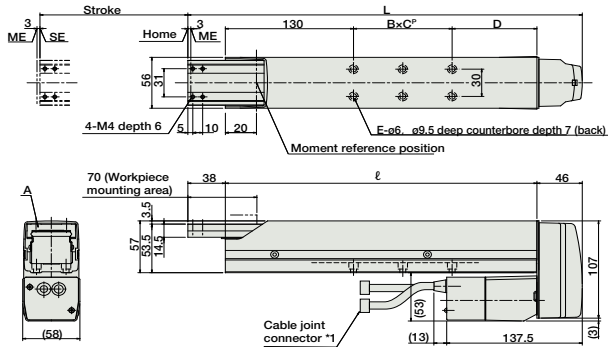
RCA-A6R

Dimensions

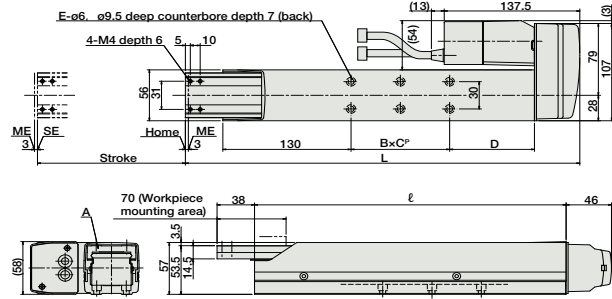
For Special Orders P. A-9

- *1 The motor-encoder cable is connected here. See page A-39 for details on cables.
 - *2 When homing, the rod moves to the ME; therefore, please watch for any interference with the surrounding objects.
- ME: Mechanical end SE: Stroke end

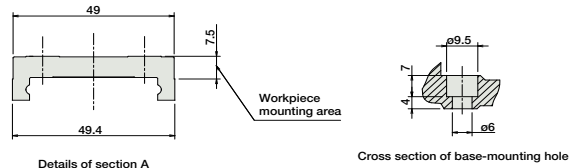
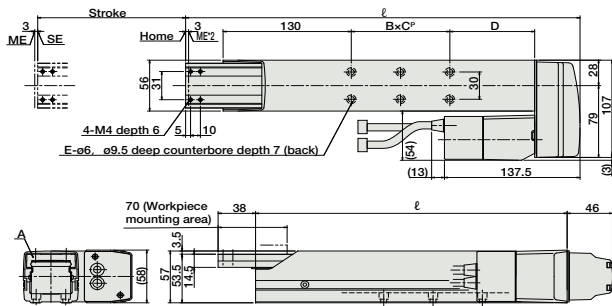
Bottom-mounted motor (option code: MB)



Right-mounted motor (option code: MR)



Left-mounted motor (option code: ML)



■ Dimensions and Weight by Stroke

Stroke	50	100	150	200
L	300	350	400	450
ℓ	216	266	316	366
BxC*	1×30	1×50	2×50	2×50
D	56	86	86	136
E	4	4	6	6
Weight (kg)	3.0	3.3	3.6	3.9

Note: The 50mm stroke model is only available with a right- or left-mounted motor. Please note that there is no 50mm stroke configuration for the standard model.

③ Compatible Controllers

The RCA series actuators can operate with the controllers below. Select the controller according to your usage.

Name	External View	Model	Description	Max. Positioning Points	Input Voltage	Power Supply Capacity	Standard Price	See Page
Solenoid Valve Type		AMEC-C-30I②-NP-2-1	Easy-to-use controller, even for beginners	3 points	AC100V	2.4A rated	-	→ P477
		ASEP-C-30I②-NP-2-0	Operable with same signal as solenoid valve. Supports both single and double solenoid types. No homing necessary with simple absolute type.					→ P487
Splash-Proof Solenoid Valve Type		ASEP-CW-30I②-NP-2-0						
Positioner Type		ACON-C-30I②-NP-2-0	Positioning is possible for up to 512 points	512 points	DC24V	1.3A rated 4.4A peak	-	
Safety-Compliant Positioner Type		ACON-CG-30I②-NP-2-0						
Pulse Train Input Type (Differential Line Driver)		ACON-PL-30I②-NP-2-0	Pulse train input type with differential line driver support	(-)	DC24V	1.3A rated 4.4A peak	-	→ P535
Pulse Train Input Type (Open Collector)		ACON-PO-30I②-NP-2-0	Pulse train input type with open collector support					
Serial Communication Type		ACON-SE-30I②-N-0-0	Dedicated to serial communication	64 points				
Field Network Type		RACON-30②	Dedicated to field network	768 points				→ P503
Program Control Type		ASEL-C-1-30①②-NP-2-0	Programmed operation is possible. Operation is possible on up to 2 axes	1500 points				→ P567

* This is for the single-axis ASEL.
 * ① is a placeholder for the encoder type (I: incremental, A: absolute).
 * ② is a placeholder for the code "LA", if the power-saving option is specified.

- Slider Type
- Mini
- Standard
- Controllers Integrated
- Rod Type
- Mini
- Standard
- Controllers Integrated
- Table/Arm /Flat Type
- Mini
- Standard
- Cripper/ Rotary Type
- Linear Servo Type
- Cleanroom Type
- Splash Proof
- Controllers
- PMEC /AMEC
- PSEP /ASEP
- ROBO NET
- ERC2
- PCON
- ACON
- SCON
- PSEL
- ASEL
- SSEL
- XSEL
- Pulse Motor
- Servo Motor (24V)
- Servo Motor (200V)
- Linear Servo Motor

RCS2-A4R

ROBO Cylinder Arm Type Side-Mounted Motor 40mm Width 200V Servo Motor Ball Screw

■ Configuration: **RCS2** — **A4R** — — **20** — — — — —

Series — Type — Encoder — Motor — Lead — Stroke — Compatible Controllers — Cable Length — Option

I : Incremental
A : Absolute

20 : 20W Servo motor

10 : 10mm
5 : 5mm

50 : 50mm
200 : 200mm (50mm pitch increments)

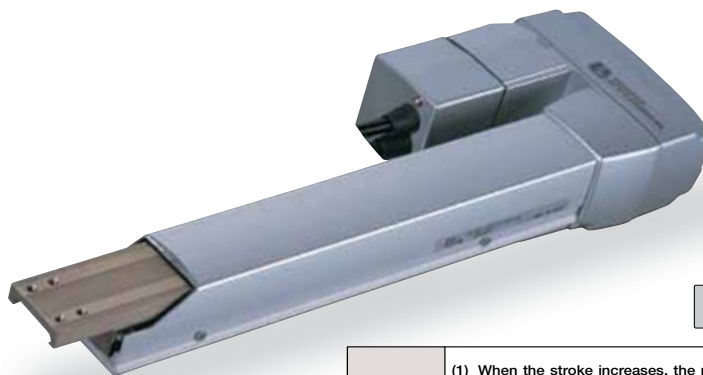
T1: XSEL-J/K
T2: SCON
SSEL
XSEL-P/Q

N : None
P : 1m
S : 3m
M : 5m

X : Custom
R : Robot cable

See Options below
* Be sure to specify which side the motor is to be mounted (ML/MR).

* See page Pre-35 for an explanation of the naming convention.



Technical References P. A-5

- 4 POINT Notes on Selection**
- (1) When the stroke increases, the maximum speed will drop to prevent the ball screw from reaching the critical rotational speed. Use the actuator specification table below to check the maximum speed at the stroke you desire.
 - (2) The load capacity is based on operation at an acceleration of 0.2G. This is the upper limit of the acceleration.

Actuator Specifications						Stroke and Maximum Speed	
■ Lead and Load Capacity						50 ~ 200 (50mm increments)	
Model	Motor Output (W)	Lead (mm)	Max. Load Capacity Horizontal (kg) Vertical (kg)	Rated Thrust (N)	Stroke (mm)	Lead	Stroke
RCS2-A4R-①-20-10-②-③-④-B-⑤	20	10	- 2.5	39.2	50~200 (50mm increments)	10	330
RCS2-A4R-①-20-5-②-③-④-B-⑤		5	- 4.5	78.4	5	165	

Legend: ① Encoder ② Stroke ③ Compatible controller ④ Cable length ⑤ Options (Unit: mm/s)

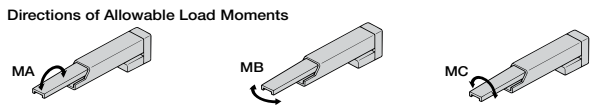
Encoder & Stroke List		
② Stroke (mm)	Standard Price	
	① Encoder	
	Incremental	Absolute
50	-	-
100	-	-
150	-	-
200	-	-

④ Cable List		
Type	Cable Symbol	Standard Price
Standard Type	P (1m)	-
	S (3m)	-
	M (5m)	-
Special Lengths	X06 (6m) ~ X10 (10m)	-
	X11 (11m) ~ X15 (15m)	-
	X16 (16m) ~ X20 (20m)	-
	R01 (1m) ~ R03 (3m)	-
Robot Cable	R04 (4m) ~ R05 (5m)	-
	R06 (6m) ~ R10 (10m)	-
	R11 (11m) ~ R15 (15m)	-
	R16 (16m) ~ R20 (20m)	-

* See page A-39 for cables for maintenance.

⑤ Option List			
Name	Option Code	See Page	Standard Price
Brake (standard)	B	→ A-25	-
Bottom-mounted motor	MB	→ A-33	
Right-mounted motor	MR	→ A-33	
Left-mounted motor	ML	→ A-33	
Reversed-home	NM	→ A-33	

Actuator Specifications	
Item	Description
Drive System	Ball screw ø8mm C10 grade (ball screw speed reduced by 1/2 by timing belt)
Positioning Repeatability	±0.02mm
Lost Motion	0.1mm or less
Base	Material: Aluminum (white alumite treated)
Allowable Load Moment	Ma: 2.7 N-m Mb: 3.1 N-m Mc: 2.9 N-m
Ambient Operating Temp./Humidity	0~40°C, 85% RH or less (non-condensing)



323 RCS2-A4R

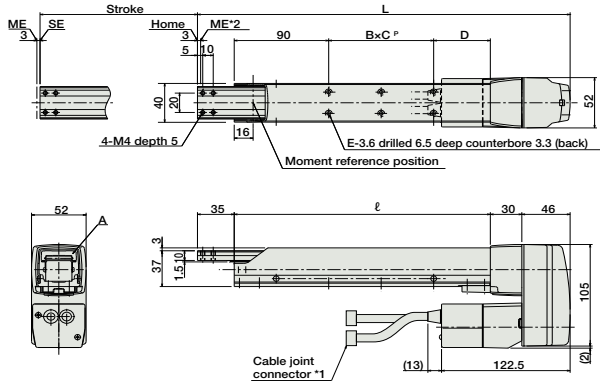
- Slider Type
- Mini
- Standard
- Controllers Integrated
- Rod Type
- Mini
- Standard
- Controllers Integrated
- Table/Arm /Flat Type
- Mini
- Standard
- Gripper/ Rotary Type
- Linear Servo Type
- Cleanroom Type
- Splash Proof
- Controllers
- PMEC /AMEC
- PSEP /ASEP
- ROBO NET
- ERC2
- PCON
- ACON
- SCON
- PSEL
- ASEL
- SSEL
- XSEL
- Pulse Motor
- Servo Motor (24V)
- Servo Motor (200V)
- Linear Servo Motor

Dimensions

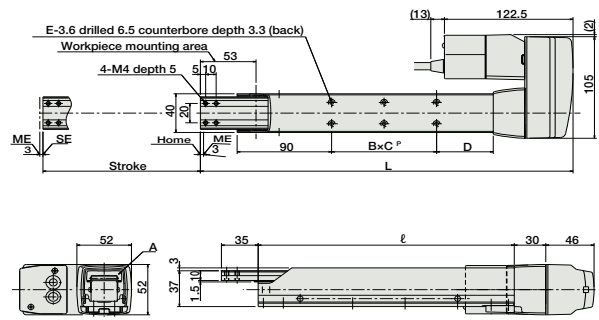
For Special Orders P. A-9

- *1 The motor-encoder cable is connected here. See page A-39 for details on cables.
- *2 When homing, the rod moves to the ME; therefore, please watch for any interference with the surrounding objects.
ME: Mechanical end SE: Stroke end

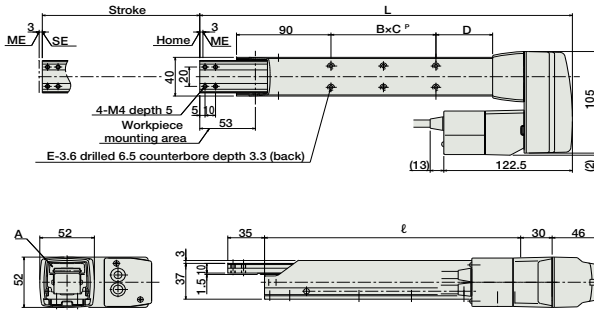
Bottom-mounted motor (option code: MB)



Right-mounted motor (option code: MR)



Left-mounted motor (option code: ML)



■ Dimensions and Weight by Stroke

Stroke	50	100	150	200
L	255	305	355	405
ℓ	144	194	244	294
B×C ^P	1×19	1×50	2×50	2×50
D	35	54	54	104
E	4	4	6	6
Weight (kg)	1.7	1.8	2.0	2.1

③ Compatible Controllers

The RCS2 series actuators can operate with the controllers below. Select the controller according to your usage.

Name	External View	Model	Description	Max. Positioning Points	Input Voltage	Power Supply Capacity	Standard Price	See Page
Positioner Mode		SCON-C-20①-NP-2-②	Positioning is possible for up to 512 points	512 points	Single-phase AC100V Single-phase AC200V Three-phase AC200V (XSEL-P/Q only)	360VA max. * When operating a 150W single-axis model	-	→ P547
Solenoid Valve Mode			Operable with the same controls as the solenoid valve	7 points				
Serial Communication Type			Dedicated to serial communication	64 points				
Pulse Train Input Control Type			Dedicated to pulse train input	(-)				
Program Control 1-2 Axes Type		SSEL-C-1-20①-NP-2-②	Programmed operation is possible Operation is possible on up to 2 axes	20000 points			-	→ P577
Program Control 1-6 Axes Type		XSEL-③-1-20①-N1-EEE-2-④	Programmed operation is possible Operation is possible on up to 6 axes	20000 points			-	→ P587

- * For SSEL and XSEL, only applicable to the single-axis model.
- * ① is a placeholder for the encoder type (I: incremental, A: absolute).
- * ② is a placeholder for the power supply voltage (1: 100V, 2: single-phase 200V).
- * ③ is a placeholder for the XSEL type name ("J", "K", "P", or "Q").
- * ④ is a placeholder for the power supply voltage (1: 100V, 2: single-phase 200V, or 3: three-phase 200V).

- Slider Type
- Mini
- Standard
- Controllers Integrated
- Rod Type
- Mini
- Standard
- Controllers Integrated
- Table/Arm /Flat Type
- Mini
- Standard
- Gripper/ Rotary Type
- Linear Servo Type
- Cleanroom Type
- Splash Proof
- Controllers
- PMEC /AMEC
- PSEP /ASEP
- ROBO NET
- ERC2
- PCON
- ACON
- SCON
- PSEL
- ASEL
- SSEL
- XSEL
- Pulse Motor
- Servo Motor (24V)
- Servo Motor (200V)
- Linear Servo Motor

RCS2-A5R

ROBO Cylinder Arm Type Side-Mounted Motor 52mm Width 200V Servo Motor Ball Screw

■ Configuration: **RCS2** — **A5R** — — **20** — — — — —

Series — Type — Encoder — Motor — Lead — Stroke — Compatible Controllers — Cable Length — Option

I : Incremental
A: Absolute

20 : 20W Servo motor

12 : 12mm
6 : 6mm

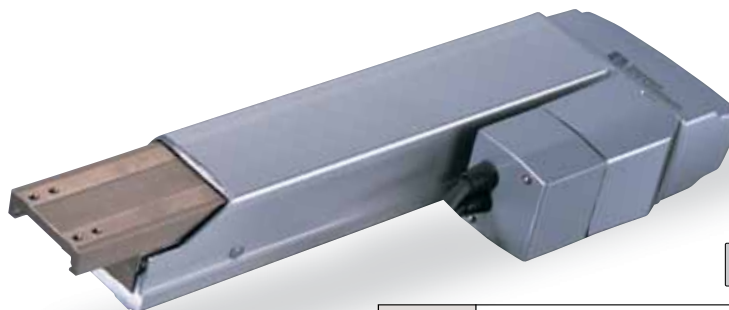
50: 50mm
200: 200mm (50mm pitch increments)

T1: XSEL-J/K
T2: SCON
SSEL
XSEL-P/Q

N : None
P : 1m
S : 3m
M : 5m
X : Custom
R : Robot cable

See Options below
* Be sure to specify which side the motor is to be mounted (ML/MR).

* See page Pre-35 for an explanation of the naming convention.



Technical References P. A-5

- POINT** Notes on Selection
- (1) When the stroke increases, the maximum speed will drop to prevent the ball screw from reaching the critical rotational speed. Use the actuator specification table below to check the maximum speed at the stroke you desire.
 - (2) The load capacity is based on operation at an acceleration of 0.2G. This is the upper limit of the acceleration.

Actuator Specifications

Lead and Load Capacity

Model	Motor Output (W)	Lead (mm)	Max. Load Capacity		Rated Thrust (N)	Stroke (mm)
			Horizontal (kg)	Vertical (kg)		
RCS2-A5R-①-20-12-②-③-④-B-⑤	20	12	-	2	33.3	50~200 (50mm increments)
RCS2-A5R-①-20-6-②-③-④-B-⑤		6	-	4		

Legend: ① Encoder ② Stroke ③ Compatible controller ④ Cable length ⑤ Options

Stroke and Maximum Speed

Lead	Stroke	50 ~ 200 (50mm increments)
	12	
6		200

(Unit: mm/s)

Encoder & Stroke List

② Stroke (mm)	Standard Price	
	① Encoder	
	Incremental	Absolute
50	-	-
100	-	-
150	-	-
200	-	-

④ Cable List

Type	Cable Symbol	Standard Price
Standard Type	P (1m)	-
	S (3m)	-
	M (5m)	-
Special Lengths	X06 (6m) ~ X10 (10m)	-
	X11 (11m) ~ X15 (15m)	-
	X16 (16m) ~ X20 (20m)	-
	R01 (1m) ~ R03 (3m)	-
Robot Cable	R04 (4m) ~ R05 (5m)	-
	R06 (6m) ~ R10 (10m)	-
	R11 (11m) ~ R15 (15m)	-
	R16 (16m) ~ R20 (20m)	-

* See page A-39 for cables for maintenance.

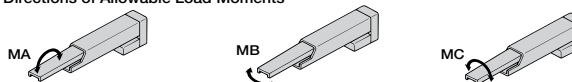
⑤ Option List

Name	Option Code	See Page	Standard Price
Brake (standard)	B	→ A-25	-
Bottom-mounted motor	MB	→ A-33	
Right-mounted motor	MR	→ A-33	
Left-mounted motor	ML	→ A-33	
Reversed-home	NM	→ A-33	

Actuator Specifications

Item	Description
Drive System	Ball screw ø8mm C10 grade (ball screw speed reduced by 1/2 by timing belt)
Positioning Repeatability	±0.02mm
Lost Motion	0.1mm or less
Base	Material: Aluminum (white alumite treated)
Allowable Load Moment	Ma: 4.5 N·m Mb: 5.4 N·m Mc: 4.1 N·m
Ambient Operating Temp./Humidity	0~40°C, 85% RH or less (non-condensing)

Directions of Allowable Load Moments



5,000 km service life

325

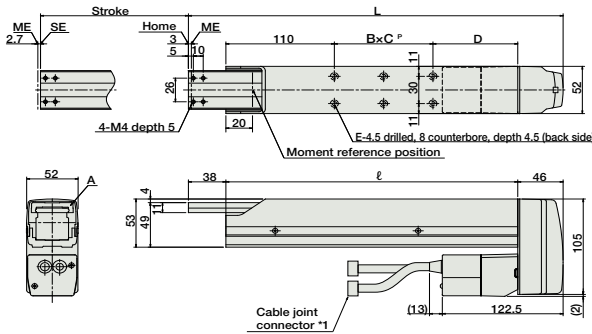
RCS2-A5R

Dimensions

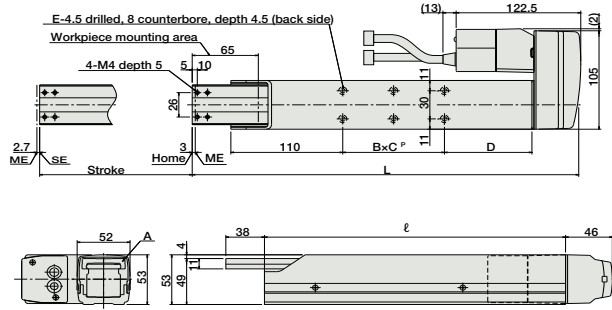
For Special Orders P. A-9

- *1 The motor-encoder cable is connected here. See page A-39 for details on cables.
 - *2 When homing, the rod moves to the ME; therefore, please watch for any interference with the surrounding objects.
- ME: Mechanical end SE: Stroke end

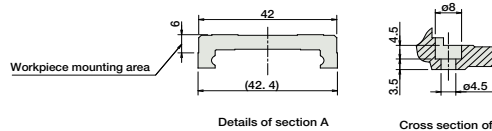
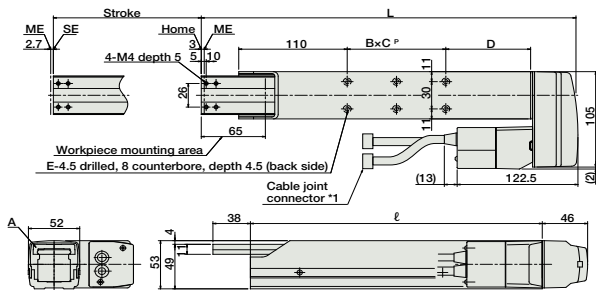
Bottom-mounted motor (option code: MB)



Right-mounted motor (option code: MR)



Left-mounted motor (option code: ML)



Dimensions and Weight by Stroke

Stroke	50	100	150	200
L	280	330	380	430
ℓ	196	246	296	346
BxC*	1×30	1×50	2×50	2×50
D	56	86	86	136
E	4	4	6	6
Weight (kg)	2.2	2.4	2.6	2.8

Note: The 50mm stroke model is only available with a right- or left-mounted motor. Please note that there is no 50mm stroke configuration for the standard model.

③ Compatible Controllers

The RCS2 series actuators can operate with the controllers below. Select the controller according to your usage.

Name	External View	Model	Description	Max. Positioning Points	Input Voltage	Power Supply Capacity	Standard Price	See Page
Positioner Mode		SCON-C-20①-NP-2-②	Positioning is possible for up to 512 points	512 points	Single-phase AC100V Single-phase AC200V Three-phase AC200V (XSEL-P/Q only)	360VA max. * When operating a 150W single-axis model	-	→ P547
Solenoid Valve Mode			Operable with the same controls as the solenoid valve	7 points				
Serial Communication Type			Dedicated to serial communication	64 points				
Pulse Train Input Control Type			Dedicated to pulse train input	(-)				
Program Control 1-2 Axes Type		SSEL-C-1-20①-NP-2-②	Programmed operation is possible Operation is possible on up to 2 axes	20000 points			-	→ P577
Program Control 1-6 Axes Type		XSEL-③-1-20①-N1-EEE-2-④	Programmed operation is possible Operation is possible on up to 6 axes	20000 points			-	→ P587

- * For SSEL and XSEL, only applicable to the single-axis model.
- * ① is a placeholder for the encoder type (I: incremental, A: absolute).
- * ② is a placeholder for the power supply voltage (1: 100V, 2: single-phase 200V).
- * ③ is a placeholder for the XSEL type name ("J", "K", "P", or "Q").
- * ④ is a placeholder for the power supply voltage (1: 100V, 2: single-phase 200V, or 3: three-phase 200V).

- Slider Type
- Mini
- Standard
- Controllers Integrated
- Rod Type
- Mini
- Standard
- Controllers Integrated
- Table/Arm /Flat Type
- Mini
- Standard
- Gripper/ Rotary Type
- Linear Servo Type
- Cleanroom Type
- Splash Proof
- Controllers
- PMEC /AMEC
- PSEP /ASEP
- ROBO NET
- ERC2
- PCON
- ACON
- SCON
- PSEL
- ASEL
- SSEL
- XSEL
- Pulse Motor
- Servo Motor (24V)
- Servo Motor (200V)
- Linear Servo Motor

RCS2-A6R

ROBO Cylinder Arm Type Side-Mounted Motor 58mm Width 200V Servo Motor Ball Screw

■ Configuration: **RCS2** — **A6R** — — **30** — — — — —

Series — Type — Encoder — Motor — Lead — Stroke — Compatible Controllers — Cable Length — Option

I : Incremental
A: Absolute

30 : 30W Servo motor

12 : 12mm
6 : 6mm

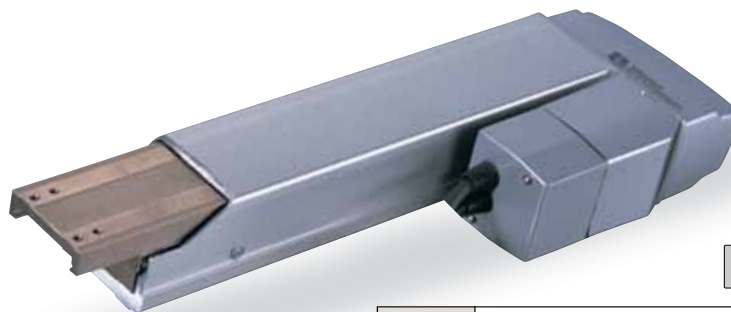
50: 50mm
200: 200mm (50mm pitch increments)

T1: XSEL-J/K
T2: SCON
SSEL
XSEL-P/Q

N : None
P : 1m
S : 3m
M : 5m
X : Custom
R : Robot cable

See Options below
* Be sure to specify which side the motor is to be mounted (ML/MR).

* See page Pre-35 for an explanation of the naming convention.



Technical References P. A-5

- 4 POINT** Notes on Selection
- (1) When the stroke increases, the maximum speed will drop to prevent the ball screw from reaching the critical rotational speed. Use the actuator specification table below to check the maximum speed at the stroke you desire.
 - (2) The load capacity is based on operation at an acceleration of 0.2G. This is the upper limit of the acceleration.

Actuator Specifications

Lead and Load Capacity

Model	Motor Output (W)	Lead (mm)	Max. Load Capacity		Rated Thrust (N)	Stroke (mm)
			Horizontal (kg)	Vertical (kg)		
RCS2-A6R-①-30-12-②-③-④-B-⑤	30	12	-	3	48.4	50~200 (50mm increments)
RCS2-A6R-①-30-6-②-③-④-B-⑤		6	-	6		96.8

Legend: ① Encoder ② Stroke ③ Compatible controller ④ Cable length ⑤ Options

Stroke and Maximum Speed

Lead	Stroke	50 ~ 200 (50mm increments)
	12	
6		200

(Unit: mm/s)

Encoder & Stroke List

② Stroke (mm)	Standard Price	
	① Encoder	
	Incremental	Absolute
50	-	-
100	-	-
150	-	-
200	-	-

④ Cable List

Type	Cable Symbol	Standard Price
Standard Type	P (1m)	-
	S (3m)	-
	M (5m)	-
Special Lengths	X06 (6m) ~ X10 (10m)	-
	X11 (11m) ~ X15 (15m)	-
	X16 (16m) ~ X20 (20m)	-
	R01 (1m) ~ R03 (3m)	-
Robot Cable	R04 (4m) ~ R05 (5m)	-
	R06 (6m) ~ R10 (10m)	-
	R11 (11m) ~ R15 (15m)	-
	R16 (16m) ~ R20 (20m)	-

* See page A-39 for cables for maintenance.

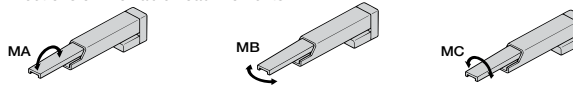
⑤ Option List

Name	Option Code	See Page	Standard Price
Brake (standard)	B	→ A-25	-
Bottom-mounted motor	MB	→ A-33	
Right-mounted motor	MR	→ A-33	
Left-mounted motor	ML	→ A-33	
Reversed-home	NM	→ A-33	

Actuator Specifications

Item	Description
Drive System	Ball screw ø10mm C10 grade (ball screw speed reduced by 1/2 by timing belt)
Positioning Repeatability	±0.02mm
Lost Motion	0.1mm or less
Base	Material: Aluminum (white alumite treated)
Allowable Load Moment	Ma: 8.1 N-m Mb: 10.0 N-m Mc: 6.5 N-m
Ambient Operating Temp./Humidity	0~40°C, 85% RH or less (non-condensing)

Directions of Allowable Load Moments



5,000 km service life

327

RCS2-A6R

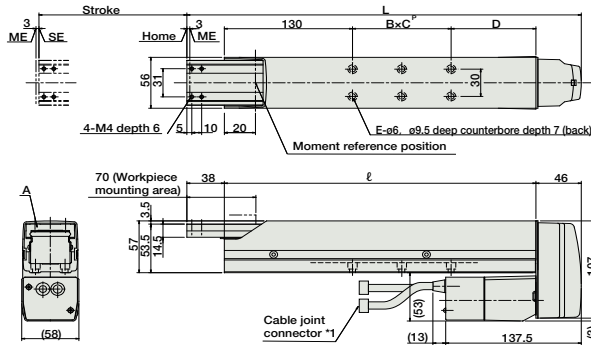
- Slider Type
- Mini
- Standard
- Controllers Integrated
- Rod Type
- Mini
- Standard
- Controllers Integrated
- Table/Arm /Flat Type
- Mini
- Standard
- Gripper/ Rotary Type
- Linear Servo Type
- Cleanroom Type
- Splash Proof
- Controllers
- PMEC /AMEC
- PSEP /ASEP
- ROBO NET
- ERC2
- PCON
- ACON
- SCON
- PSEL
- ASEL
- SSEL
- XSEL
- Pulse Motor
- Servo Motor (24V)
- Servo Motor (200V)
- Linear Servo Motor

Dimensions

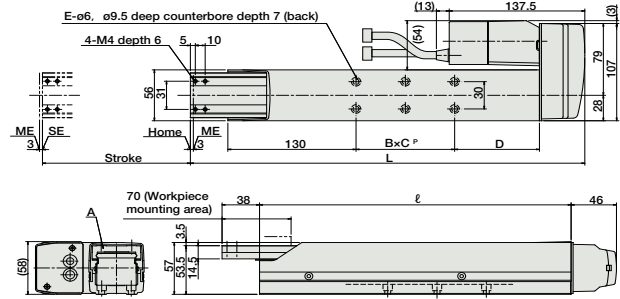
For Special Orders P. A-9

- *1 The motor-encoder cable is connected here. See page A-39 for details on cables.
 - *2 When homing, the rod moves to the ME; therefore, please watch for any interference with the surrounding objects.
- ME: Mechanical end SE: Stroke end

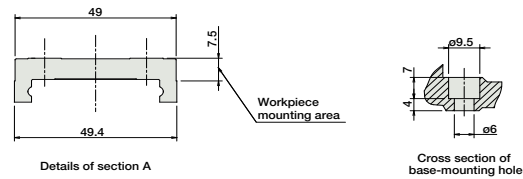
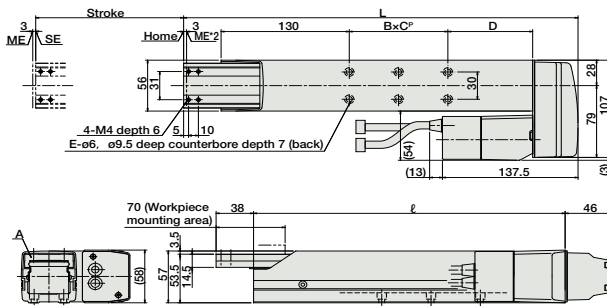
Bottom-mounted motor (option code: MB)



Right-mounted motor (option code: MR)



Left-mounted motor (option code: ML)



Dimensions and Weight by Stroke

Stroke	50	100	150	200
L	300	350	400	450
ℓ	216	266	316	366
BxC*	1×30	1×50	2×50	2×50
D	56	86	86	136
E	4	4	6	6
Weight (kg)	3.0	3.3	3.6	3.9

Note: The 50mm stroke model is only available with a right- or left-mounted motor. Please note that there is no 50mm stroke configuration for the standard model.

③ Compatible Controllers

The RCS2 series actuators can operate with the controllers below. Select the controller according to your usage.

Name	External View	Model	Description	Max. Positioning Points	Input Voltage	Power Supply Capacity	Standard Price	See Page
Positioner Mode		SCON-C-30D①-NP-2-②	Positioning is possible for up to 512 points	512 points	Single-phase AC100V Single-phase AC200V Three-phase AC200V (XSEL-P/Q only)	360VA max. * When operating a 150W single-axis model	-	→ P547
Solenoid Valve Mode			Operable with the same controls as the solenoid valve	7 points				
Serial Communication Type			Dedicated to serial communication	64 points				
Pulse Train Input Control Type			Dedicated to pulse train input	(-)				
Program Control 1-2 Axes Type		SSEL-C-1-30D①-NP-2-②	Programmed operation is possible Operation is possible on up to 2 axes	20000 points			-	→ P577
Program Control 1-6 Axes Type		XSEL-③-1-30D①-N1-EEE-2-④	Programmed operation is possible Operation is possible on up to 6 axes	20000 points			-	→ P587

- * For SSEL and XSEL, only applicable to the single-axis model.
- * ① is a placeholder for the encoder type (I: incremental, A: absolute).
- * ② is a placeholder for the power supply voltage (1: 100V, 2: single-phase 200V).
- * ③ is a placeholder for the XSEL type name ("J", "K", "P", or "Q").
- * ④ is a placeholder for the power supply voltage (1: 100V, 2: single-phase 200V, or 3: three-phase 200V).

- Slider Type
- Mini
- Standard
- Controllers Integrated
- Rod Type
- Mini
- Standard
- Controllers Integrated
- Table/Arm /Flat Type
- Mini
- Standard
- Gripper/ Rotary Type
- Linear Servo Type
- Cleanroom Type
- Splash Proof
- Controllers
- PMEC /AMEC
- PSEP /ASEP
- ROBO NET
- ERC2
- PCON
- ACON
- SCON
- PSEL
- ASEL
- SSEL
- XSEL
- Pulse Motor
- Servo Motor (24V)
- Servo Motor (200V)
- Linear Servo Motor

RCS2-F5D

ROBO Cylinder Flat Type Built-In (Direct-Coupled) Motor 55mm Width 200V Servo Motor Ball Screw

■ Configuration: **RCS2** — **F5D** — [] — [] — [] — [] — [] — [] — []

Series — Type — Encoder — Motor — Lead — Stroke — Compatible Controllers — Cable Length — Option

I : Incremental
A : Absolute

60 : 60W servo motor
100 : 100W servo motor

16 : 16mm
8 : 8mm
4 : 4mm

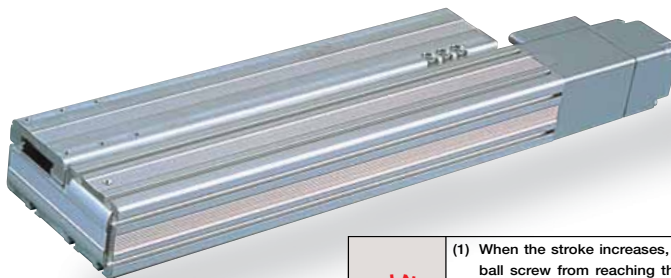
50: 50mm
300: 300mm (50mm pitch increments)

T1: XSEL-J/K
T2: SCON
SSEL
XSEL-P/Q

N : None
P : 1m
S : 3m
M : 5m
X [] : Custom
R [] : Robot cable

B : Brake
NM : Reversed-home

* See page Pre-35 for an explanation of the naming convention.



Technical References P. A-5

- POINT**
Notes on Selection
- (1) When the stroke increases, the maximum speed will drop to prevent the ball screw from reaching the critical rotational speed. Use the actuator specification table below to check the maximum speed at the stroke you desire.
 - (2) The load capacity is based on operation at an acceleration of 0.3G (0.2G for the 4mm-lead model). This is the upper limit of the acceleration.

Actuator Specifications

■ Lead and Load Capacity

Model	Motor Output (W)	Lead (mm)	Max. Load Capacity		Rated Thrust (N)	Stroke (mm)
			Horizontal (kg)	Vertical (kg)		
RCS2-F5D-①-60-16-②-③-④-⑤	60	16	See page A-88	2.0	63.8	50 ~ 300 (50mm increments)
RCS2-F5D-①-60-8-②-③-④-⑤		8		5.0	127.5	
RCS2-F5D-①-60-4-②-③-④-⑤		4		11.5	255.1	
RCS2-F5D-①-100-16-②-③-④-⑤	100	16		3.5	105.8	
RCS2-F5D-①-100-8-②-③-④-⑤		8		9.0	212.7	
RCS2-F5D-①-100-4-②-③-④-⑤		4		18.0	424.3	

Legend: ① Encoder ② Stroke ③ Compatible controller ④ Cable length ⑤ Options

■ Stroke and Maximum Speed

Lead	Stroke	50 ~ 300 (50mm increments)
	16	800
8	400	
4	200	

(Unit: mm/s)

Encoder & Stroke List

② Stroke (mm)	Standard Price			
	① Encoder			
	Incremental		Absolute	
	Motor Output (W)		Motor Output (W)	
	60W	100W	60W	100W
50	-	-	-	-
100	-	-	-	-
150	-	-	-	-
200	-	-	-	-
250	-	-	-	-
300	-	-	-	-

④ Cable List

Type	Cable Symbol	Standard Price
Standard Type	P (1m)	-
	S (3m)	-
	M (5m)	-
Special Lengths	X06 (6m) ~ X10 (10m)	-
	X11 (11m) ~ X15 (15m)	-
	X16 (16m) ~ X20 (20m)	-
	R01 (1m) ~ R03 (3m)	-
Robot Cable	R04 (4m) ~ R05 (5m)	-
	R06 (6m) ~ R10 (10m)	-
	R11 (11m) ~ R15 (15m)	-
	R16 (16m) ~ R20 (20m)	-

* See page A-39 for cables for maintenance.

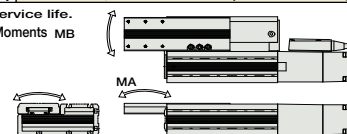
⑤ Option List

Name	Option Code	See Page	Standard Price
Brake	B	→ A-25	-
Reversed-home	NM	→ A-33	-

Actuator Specifications

Item	Description
Drive System	Ball screw ø12mm C10 grade
Positioning Repeatability	±0.02mm
Lost Motion	0.05mm or less
Base	Material: Aluminum (white alumite treated)
Allowable Dynamic Moment (*)	Ma: 4.5 N·m Mb: 5.4 N·m Mc: 4.1 N·m
Ambient Operating Temp./Humidity	0 ~ 40°C, 85% RH or less (non-condensing)

(*) Based on a 5,000km service life.
Directions of Allowable Load Moments MB

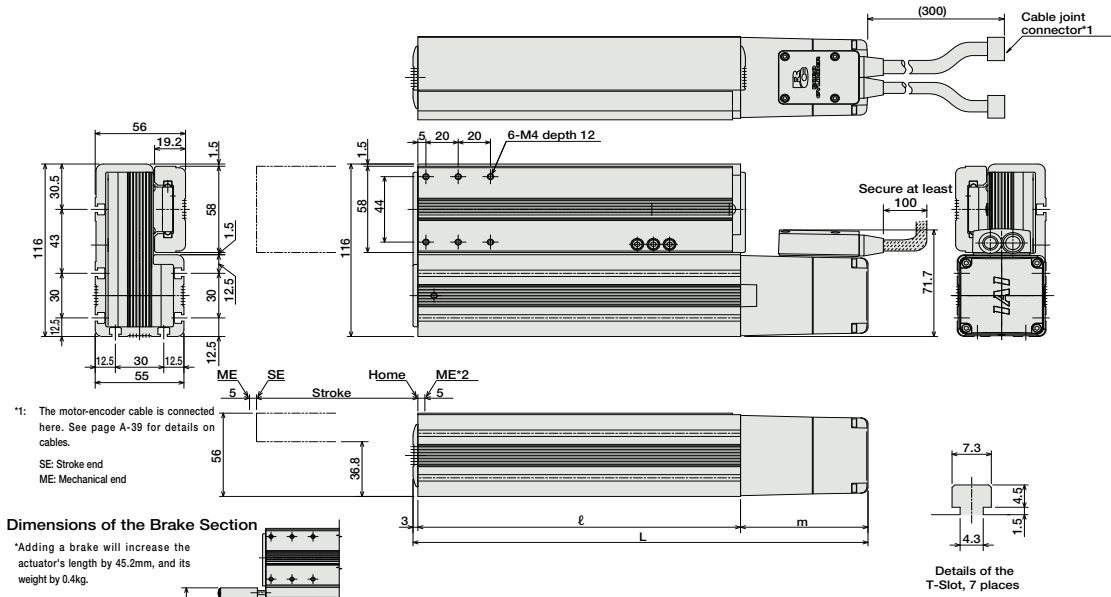


329 RCS2-F5D

Dimensions

For Special Order P. A-9

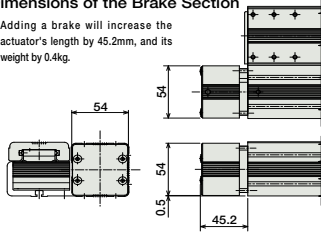
* To change the direction of the home position, arrangements must be made to send in the product. Please make a note of it.



*1: The motor-encoder cable is connected here. See page A-39 for details on cables.
SE: Stroke end
ME: Mechanical end

Dimensions of the Brake Section

*Adding a brake will increase the actuator's length by 45.2mm, and its weight by 0.4kg.



■ Dimensions and Weight by Stroke

Stroke	50	100	150	200	250	300	
L	60W	232	282	332	382	432	482
	100W	250	300	350	400	450	500
ℓ	150	200	250	300	350	400	
m	60W	79					
	100W	97					
Weight (kg)	60W	2.1	2.5	3	3.4	3.9	4.3
	100W	2.3	2.7	3.2	3.6	4.1	4.5

③ Compatible Controllers

The RCS2 series actuators can operate with the controllers below. Select the controller according to your usage.

Name	External View	Model	Description	Max. Positioning Points	Input Voltage	Power Supply Capacity	Standard Price	See Page
Positioner Mode		SCON-C-60①-NP-2-② SCON-C-100①-NP-2-②	Positioning is possible for up to 512 points	512 points	Single-phase AC100V Single-phase AC200V Three-phase AC200V (XSEL-P/Q only)	360VA max. * Single-axis model operated at 150W	-	→ P547
Solenoid Valve Mode			Operable with the same controls as the solenoid valve	7 points				
Serial Communication Type			Dedicated to serial communication	64 points				
Pulse Train Input Control Type			Dedicated to pulse train input	(-)				
Program Control 1-2 Axes Type		SSEL-C-1-60 ①-NP-2-② SSEL-C-1-100 ①-NP-2-②	Programmed operation is possible Operation is possible on up to 2 axes	20000 points			-	→ P577
Program Control 1-6 Axes Type		XSEL-③-1-60 ①-N1-EEE-2-④ XSEL-③-1-100 ①-N1-EEE-2-④	Programmed operation is possible Operation is possible on up to 6 axes	20000 points			-	→ P587

* For SSEL and XSEL, only applicable to the single-axis model.
 * ① is a placeholder for the encoder type (I: incremental, A: absolute).
 * ② is a placeholder for the power supply voltage (1: 100V, 2: single-phase 200V).
 * ③ is a placeholder for the XSEL type name ("J", "K", "P", or "Q").
 * ④ is a placeholder for the power supply voltage (1: 100V, 2: single-phase 200V, or 3: three-phase 200V).

- Slider Type
- Mini
- Standard
- Controllers Integrated
- Rod Type
- Mini
- Standard
- Controllers Integrated
- Table/Arm /Flat Type
- Mini
- Standard
- Gripper/ Rotary Type
- Linear Servo Type
- Cleanroom Type
- Splash Proof
- Controllers
- PMEC /AMEC
- PSEP /ASEP
- ROBO NET
- ERC2
- PCON
- ACON
- SCON
- PSEL
- ASEL
- SSEL
- XSEL
- Pulse Motor
- Servo Motor (24V)
- Servo Motor (200V)
- Linear Servo Motor