

RCA-SRGD4R

ROBO Cylinder Rod Type with Double Guide 45mm Width Servo Motor
Short-Length Model

■ Configuration: **RCA** — **SRGD4R** — **I** — **20** — — — — —

Series	Type	Encoder	Motor	Lead	Stroke	Compatible Controllers	Cable Length	Option
		I: Incremental * The Simple absolute encoder is also considered type "I".	20 : 20W Servo Motor	5 : 5mm 2.5 : 2.5mm	20 : 20mm 200 : 200mm (50mm pitch increments) * Set in 50mm increments over 100mm	A1 : ACON RACON ASEL A3 : AMEC ASEP	N : None P : 1m S : 3m M : 5m X <input type="checkbox"/> : Custom	See Options below

* See page Pre-35 for an explanation of the naming convention.

Power-saving



Technical References P. A-5

- POINT**
Notes on Selection
- (1) The load capacity is based on operation at an acceleration of 0.3G (0.2G for the 2.5mm-lead model, or when used vertically). This is the upper limit of the acceleration.
 - (2) The values for the horizontal load capacity reflect the use of an external guide. See the technical resources (page A-83) for the allowable weight using the supplied guide alone.

Actuator Specifications

Lead and Load Capacity

Model	Lead (mm)	Max. Load Capacity		Rated Thrust (N)	Stroke (mm)
		Horizontal (kg)	Vertical (kg)		
RCA-SRGD4R-I-20-5-①-②-③-④	5	9	2	41	20~200 (10mm increments)
RCA-SRGD4R-I-20-2.5-①-②-③-④	2.5	18	5.5	81	(Note 1)

Legend ① Stroke ② Compatible controllers ③ Cable length ④ Options

(Note 1) 50mm increments over 100mm.

(Unit: mm/s)

Stroke and Maximum Speed

Stroke Lead	20 ~ 200 (10mm increments)	
	5	250
2.5	125	

① Stroke List

Stroke (mm)	Standard Price
20~50	-
60~100	-
150	-
200	-

③ Cable List

Type	Cable Symbol	Standard Price
Standard (Robot Cables)	P (1m)	-
	S (3m)	-
	M (5m)	-
Special Lengths	X06 (6m) ~ X10 (10m)	-
	X11 (11m) ~ X15 (15m)	-
	X16 (16m) ~ X20 (20m)	-
		-

* The cable is a motor-encoder integrated cable, and is provided as a robot cable.

* See page A-39 for cables for maintenance.

④ Option List

Name	Option Code	See Page	Standard Price
Brake	B	→ A-25	-
Foot bracket 1 (base mounting)	FT	→ A-29	-
Reversed-home	NM	→ A-33	-

* The brake is available for strokes of 70mm or more.

* The foot bracket cannot be mounted on the side.

Actuator Specifications

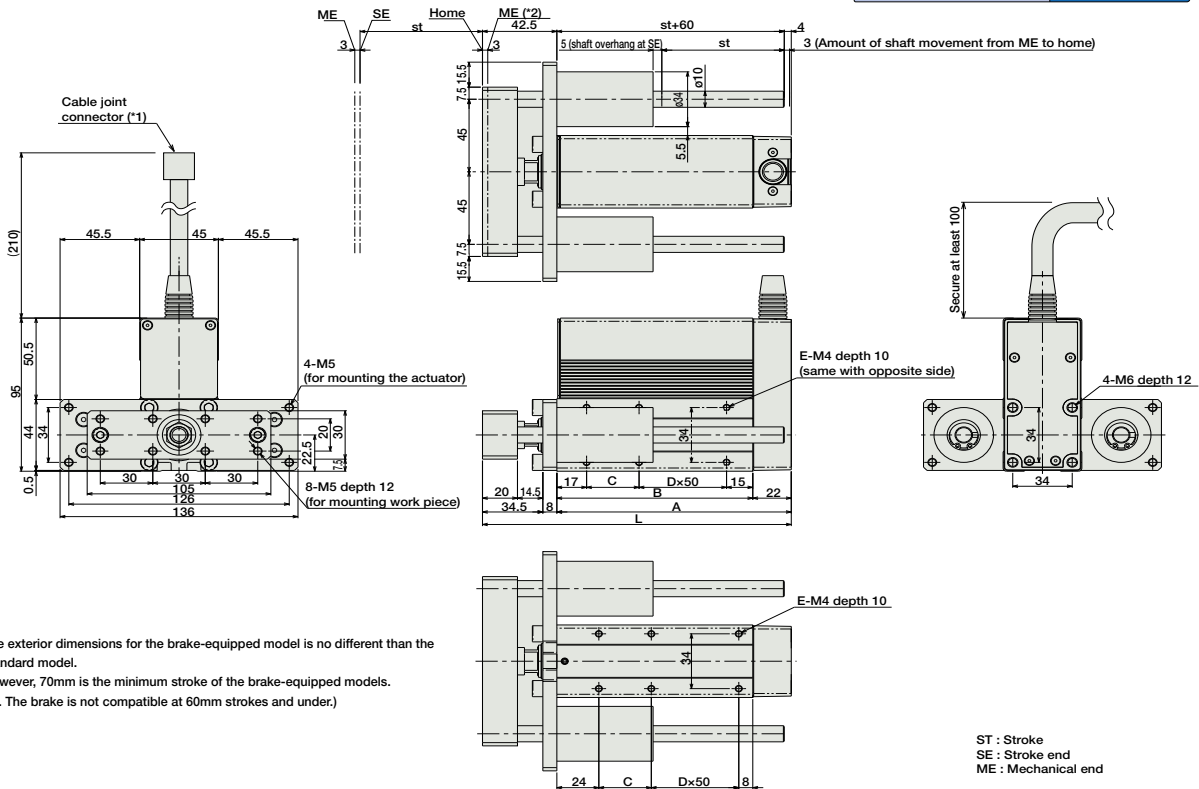
Item	Description
Drive System	Ball screw ø8mm C10 grade
Positioning Repeatability	±0.02mm
Lost Motion	0.1mm or less
Rod Diameter	ø22 mm
Non-rotating accuracy of rod	±0.05 deg
Ambient Operating Temp./Humidity	0 ~ 40°C, 85% RH or less (non-condensing)

233

RCA-SRGD4R

Dimensions

For Special Orders P. A-9



* The exterior dimensions for the brake-equipped model is no different than the standard model.
However, 70mm is the minimum stroke of the brake-equipped models.
(i.e. The brake is not compatible at 60mm strokes and under.)

- (*1) The motor-encoder cable is connected here. See page A-39 for details on cables.
- (*2) When homing, the rod moves to the mechanical end position; therefore, please watch for any interference with the surrounding objects.

■ Dimensions/Weight by Stroke (Add 0.2kg for brake equipped)

Stroke	20	30	40	50	60	70	80	90	100	150	200
L	126.5	136.5	146.5	156.5	166.5	176.5	186.5	196.5	206.5	256.5	306.5
A	84	94	104	114	124	134	144	154	164	214	264
B	62	72	82	92	102	112	122	132	142	192	242
C	30	40	50	60	70	80	90	100	110	160	210
D	0	0	0	0	0	1	1	1	1	2	3
E	4	4	4	4	4	6	6	6	6	8	10
Weight (kg)	1.42	1.49	1.56	1.64	1.71	1.79	1.86	1.94	2.01	2.38	2.75

ST : Stroke
SE : Stroke end
ME : Mechanical end

② Compatible Controllers

The RCA series actuators can operate with the controllers below. Select the controller according to your usage.

Name	External View	Model	Description	Max. Positioning Points	Input Voltage	Power Supply Capacity	Standard Price	See Page
Solenoid Valve Type		AMEC-C-20SI①-NP-2-1	Easy-to-use controller, even for beginners	3 points	AC100V	2.4A rated	-	→ P477
		ASEP-C-20SI①-NP-2-0	Operable with same signal as solenoid valve. Supports both single and double solenoid types. No homing necessary with simple absolute type.					→ P487
Splash-Proof Solenoid Valve Type		ASEP-CW-20SI①-NP-2-0						
Positioner Type		ACON-C-20SI①-NP-2-0	Positioning is possible for up to 512 points	512 points	DC24V	1.7A rated 5.1A peak	-	
Safety-Compliant Positioner Type		ACON-CG-20SI①-NP-2-0						
Pulse Train Input Type (Differential Line Driver)		ACON-PL-20SI①-NP-2-0	Pulse train input type with differential line driver support	(-)				→ P535
Pulse Train Input Type (Open Collector)		ACON-PO-20SI①-NP-2-0	Pulse train input type with open collector support					
Serial Communication Type		ACON-SE-20SI①-N-0-0	Dedicated to serial communication	64 points				
Field Network Type		RACON-20S①	Dedicated to field network	768 points				→ P503
Program Control Type		ASEL-C-1-20SI①-NP-2-0	Programmed operation is possible Operation is possible on up to 2 axes	1500 points				→ P567

* This is for the single-axis ASEL.
* ① is a placeholder for the code "LA" if the power-saving option is specified.

- Slider Type
- Mini
- Standard
- Controllers Integrated
- Rod Type
- Mini
- Standard
- Controllers Integrated
- Table/Arm /Flat Type
- Mini
- Standard
- Cripper/ Rotary Type
- Linear Servo Type
- Cleanroom Type
- Splash Proof
- Controllers
- PMEC /AMEC
- PSEP /ASEP
- ROBO NET
- ERC2
- PCON
- ACON
- SCON
- PSEL
- ASEL
- SSEL
- XSEL
- Pulse Motor
- Servo Motor (24V)
- Servo Motor (200V)
- Linear Servo Motor