

RCA2-SA3R

ROBO Cylinder Slider Type 32mm Width Servo Motor Coupled

■ Configuration: **RCA2** — **SA3R** — **I** — **10** — — — — —

Series — Type — Encoder — Motor — Lead — Stroke — Compatible Controllers — Cable Length — Option

I: Incremental
* Simple absolute encoder models are labeled as "I".

10: 10W Servo motor

6: 6mm
4: 4mm
2: 2mm

50: 50mm
300: 300mm (50mm pitch increments)

A1: ACON
RACON
ASEL
A3: AMEC
ASEP

N: None
P: 1m
S: 3m
M: 5m
X : Custom Length

See Options below
* Be sure to specify which side the motor is to be mounted (ML/MR).

* See page Pre-35 for explanation of each code that makes up the configuration name.

Power-saving



Technical References P. A-5

POINT
Notes on Selection

(1) The load capacity is based on operation at an acceleration of 0.3G (2G for the 2mm-lead model, or when used vertically). These values are the upper limits for the acceleration.

Actuator Specifications

■ Lead and Load Capacity							■ Stroke and Maximum Speed		
Model	Motor Output (W)	Lead (mm)	Max. Load Capacity		Rated Thrust (N)	Stroke (mm)	50 ~ 300 (50mm increments)		
			Horizontal (kg)	Vertical (kg)			Lead	Stroke	
RCA2-SA3R-I-10-6-①-②-③-④	10	6	1	0.5	28	50~300 (50mm increments)	6	300	
RCA2-SA3R-I-10-4-①-②-③-④		4	2	1	43		4	200	
RCA2-SA3R-I-10-2-①-②-③-④		2	3	1.5	85		2	100	

Legend ① Stroke ② Compatible controller ③ Cable length ④ Options (Unit: mm/s)

① Stroke List

Stroke (mm)	Standard Price	
	With cover (standard)	No cover (Option)
50	-	-
100	-	-
150	-	-
200	-	-
250	-	-
300	-	-

③ Cable List

Type	Cable Symbol	Standard Price
Standard (Robot Cables)	P (1m)	-
	S (3m)	-
	M (5m)	-
Special Lengths	X06 (6m) ~ X10 (10m)	-
	X11 (11m) ~ X15 (15m)	-
	X16 (16m) ~ X20 (20m)	-
		-

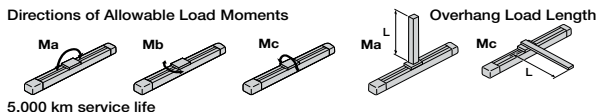
* The standard cable is the motor-encoder integrated robot cable.
* See page A-39 for cables for maintenance.

④ Option List

Name	Option Code	See Page	Standard Price
Brake-Equipped	B	→ A-25	-
Cable Exit Direction (Top)	CJT	→ A-25	-
Cable Exit Direction (Outside)	CJO	→ A-25	-
Cable Exit Direction (Bottom)	CJB	→ A-25	-
Power-saving	LA	→ A-32	-
Left-Mounted Motor (Standard)	ML	→ A-33	-
Right-Mounted Motor	MR	→ A-33	-
No Cover	NCO	→ A-33	-
Reversed-home	NM	→ A-33	-

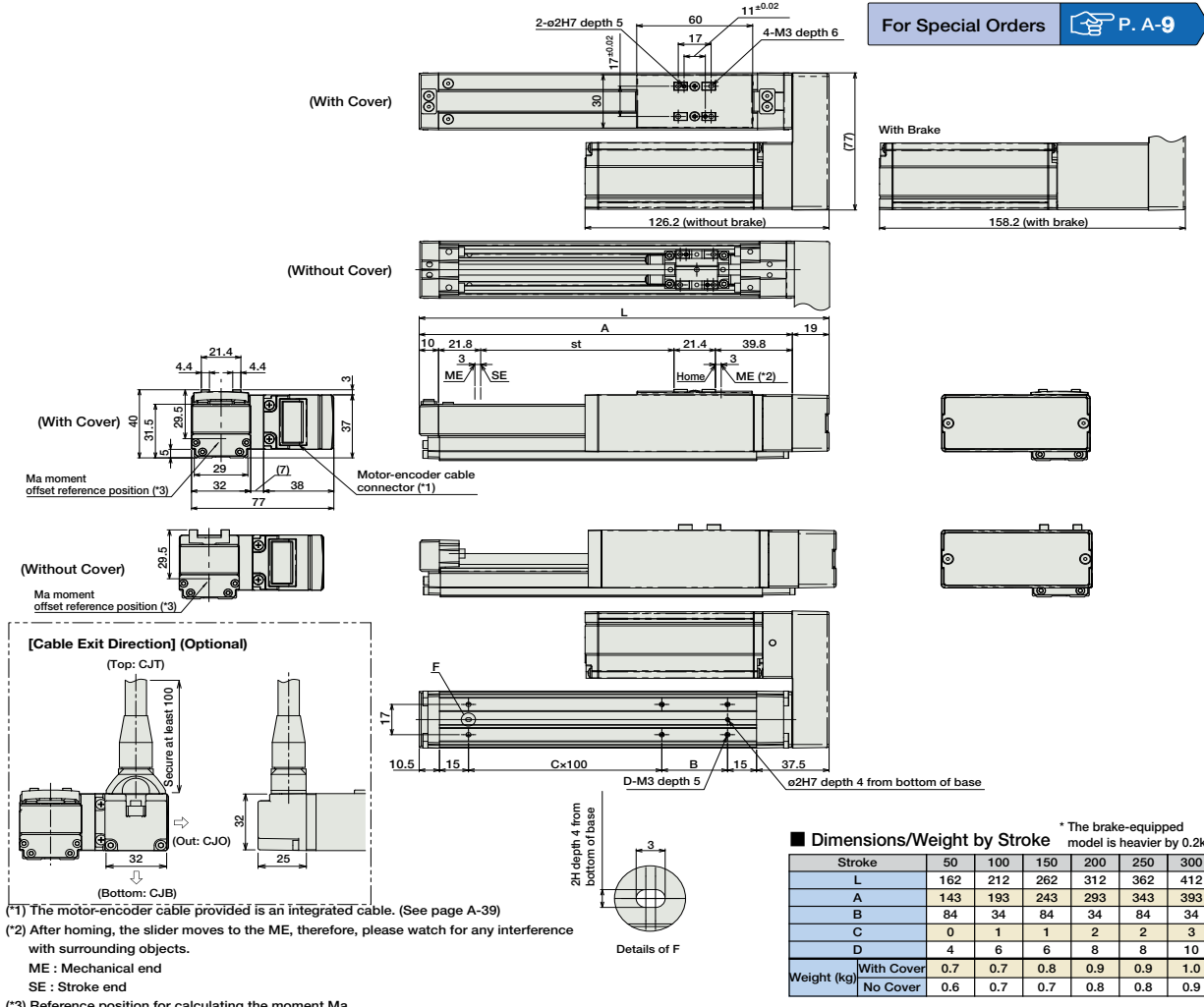
Actuator Specifications

Item	Description
Drive System	Ball screw Ø6mm C10 grade
Positioning Repeatability	±0.02mm
Lost Motion	0.1mm or less
Base	Material: Aluminum (special alumite treated)
Allowable Static Load Moment	Ma: 5.0N·m Mb: 7.1N·m Mc: 7.9N·m
Allowable Dynamic Load Moment	Ma: 1.96N·m Mb: 2.84N·m Mc: 3.14N·m
Overhang Load Length	100mm or less
Ambient Operating Temp./Humidity	0~40°C, 85% RH or less (non-condensing)



67 RCA2-SA3R

Dimensions



(1) The motor-encoder cable provided is an integrated cable. (See page A-39)
 (2) After homing, the slider moves to the ME, therefore, please watch for any interference with surrounding objects.
 ME : Mechanical end
 SE : Stroke end
 (3) Reference position for calculating the moment Ma

② Compatible Controllers

The RCA2 series actuators can operate with the controllers below. Select the controller according to your usage.

Name	External View	Model	Description	Max. Positioning Points	Input Voltage	Power Supply Capacity	Standard Price	See Page
Solenoid Valve Type		AMEC-C-10①-NP-2-1	Easy-to-use controller, even for beginners	3 points	AC100V	2.4A rated	-	→ P477
		ASEP-C-10①-NP-2-0	Operable with same signal as solenoid valve. Supports both single and double solenoid types. No homing necessary with simple absolute type.					
Splash-Proof Solenoid Valve Type		ASEP-CW-10①-NP-2-0						→ P487
Positioner Type		ACON-C-10①-NP-2-0	Positioning is possible for up to 512 points	512 points	DC24V	(Standard) 1.3A rated 4.4A max.	-	→ P535
Safety-Compliant Positioner Type		ACON-CG-10①-NP-2-0						
Pulse Train Input Type (Differential Line Driver)		ACON-PL-10①-NP-2-0	Pulse train input type with differential line driver support	(-)	DC24V	(Power-saving) 1.3A rated 2.5A max.	-	→ P535
Pulse Train Input Type (Open Collector)		ACON-PO-10①-NP-2-0	Pulse train input type with open collector support					
Serial Communication Type		ACON-SE-10①-N-0-0	Dedicated to serial communication	64 points				
Field Network Type		RACON-10①	Dedicated to field network	768 points				→ P503
Program Control Type		ASEL-C-1-10①-NP-2-0	Programmed operation is possible Can operate up to 2 axes	1500 points				→ P567

* This is for the single-axis ASEL.
 * ① is replaced with the code "LA" when support for power-saving is specified.

- Slider Type
- Mini
- Standard
- Controllers Integrated
- Rod Type
- Mini
- Standard
- Controllers Integrated
- Table/Arm /Flat Type
- Mini
- Standard
- Gripper/ Rotary Type
- Linear Servo Type
- Cleanroom Type
- Splash-Proof
- Controllers
- PMEC /AMEC
- PSEP /ASEP
- ROBO NET
- ERC2
- PCON
- ACON
- SCON
- PSEL
- ASEL
- SSEL
- XSEL
- Pulse Motor
- Servo Motor (24V)
- Servo Motor (200V)
- Linear Servo Motor