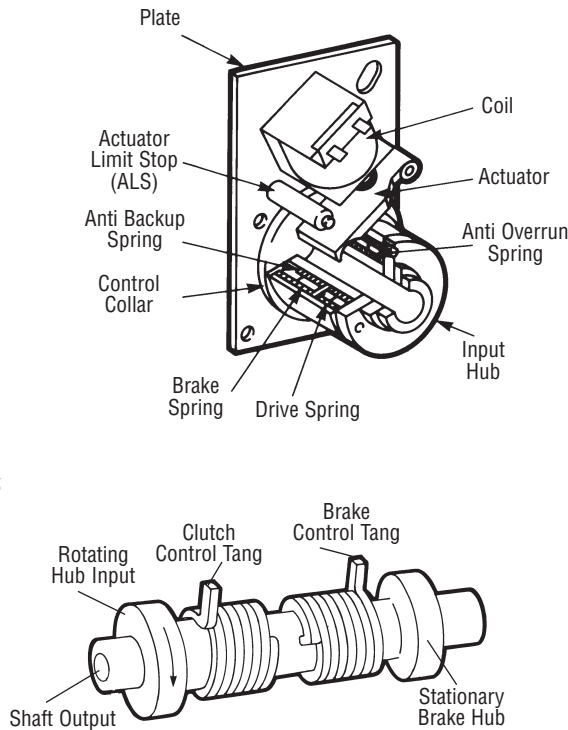


**Model DCB Clutch Descriptions**

**DCB Series Clutch**

The DCB clutch/brake is designed to start and stop a load. It will stop the load in the same position without any cumulative error. The DCB will stop any load that is able to start. The control tangs are used to hold open the clutch or brake spring, which are wrapped in opposite directions. When the clutch and brake control tangs rotate with the input hub, the input hub and output shaft are engaged by the clutch spring. When the stop collar locks the control tang of the brake spring, it wraps down engaging the output shaft to the brake hub. The clutch spring unwraps at the same time, allowing the input hub to freely rotate.

**DCB**



**SC and DCB Comparison**

APPLICATION REQUIREMENT	RECOMMENDED SERIES	PERFORMANCE CAPABILITY*				
		STARTING TORQUE MAX. (LB. - IN.)	STOPPING TORQUE MAX. (LB. - IN.)	RPM MAX.	CYCLES/MINUTE MAX.	ACTUATION METHOD
Overrunning Engaged in One Direction Only	SC Series OR-Models	2500	N/A	1800	N/A	Reverse Input Rotation
Start-Stop (Random Positioning)	SC Series SS - Models	2500	0	1800	N/A	Mechanical
Single Revolution (Accurate Positioning)	SC Series SR - Models	2500	50	1800	1800	Mechanical
	DCB Series	2500	2500	1800	1200	AC or DC Solenoid

\*Note: See page 47 and 53 for performance capabilities of individual models.

## Mechanical

MODEL NO.	STATIC TORQUE (IN.-LBS.)	MAXIMUM INPUT SPEED	MINIMUM* INPUT SPEED	ANTI-BACK TORQUE (IN.-LBS.)	ANTI-OVERRUN TORQUE (IN.-LBS.)	INPUT HUB MAX BEARING LOAD (LBS.)
DCB-2	25	1800	300	18	10	7.5
DCB-4	125	1200	200	80	25	14
DCB-5	250	750	150	160	45	32
DCB-6	500	500	100	300	300	63
DCB-8	2500	300	50	600	600	300

\* When operating below minimum speeds, system inertias may have to be increased for proper product performance. Consult factory for application assistance.

## Electrical

MODEL NO.	90 VDC		24 VDC		12 VDC		120 VAC 50/60 HZ		
	AMPS	OHMS	AMPS	OHMS	AMPS	OHMS	AMPS IN-RUSH	AMPS HOLDING	OHMS
DCB-2	0.06	1510	0.23	104	0.46	26	0.10	0.05	825
DCB-4	0.10	963	0.32	74	0.73	16.4	0.22	0.10	280
DCB-5	0.10	963	0.32	74	0.73	16.4	0.22	0.10	280
DCB-6	0.15	598	0.60	39.9	1.15	10.4	0.62	0.31	53.5
DCB-8	0.15	598	0.60	39.9	1.15	10.4	0.62	0.31	53.5
DCB-8 Super	0.24	378	0.94	25.4	1.87	6.43	0.62	0.31	53.5

## Typical Response Time (Voltage on at Full Speed)

UNIT TYPE	TIME, MILLISECONDS
DCB-2	20
DCB-4	24
DCB-5	27
DCB-6	45
DCB-8	50

## Dimensions

MODEL NO.	A		B		C		D		E		F		G		H		I		J (BORE)		K	L
	ENGLISH	METRIC	ENGLISH	METRIC	ENGLISH	METRIC	ENGLISH	METRIC	ENGLISH	METRIC	ENGLISH	METRIC	ENGLISH	METRIC	ENGLISH	METRIC	ENGLISH	METRIC	ENGLISH	METRIC		
DCB-2	2.500	0.21	0.09	0.41	0.09	0.16	0.020	1.25	#8		M4 x .7		0.250	10mm	0.375	1.188						
DCB-4	3.381	0.33	0.15	0.83	0.09	0.175	0.035	1.25	0.125 Pin Hole and 8-32, 90 Deg Apart		3mm Pin Hole and M4 x .7, 90 Deg Apart		0.375	10mm	0.500	1.249						
DCB-5	4.375	0.46	0.25	1.09	0.09	0.23	0.045	1.56	0.125 Pin Hole and 8-32, 135 Deg Apart		3mm Pin Hole and M4 x .7, 135 Deg Apart		0.5	12mm	0.625	1.561						
DCB-6	4.312	0.527	0.22	0.36	0.19	0.22	-	1.25	3/4 Bore 10-32 SS and 3/16 x 3/32 Keyway		20mm Bore M5 x .8 SS and 6 x 2.8 Keyway		3/4 or 1	20mm or 25mm	-	2.500						
DCB-8	6.125	0.698	0.25	-	0.25	-	-	1.96	1-1/4 Bore 1/4-20 SS and 5/16 x 5/32 Keyway		35mm Bore M6 x 1 SS and 10 x 3.3 Keyway		1-1/4 or 1-1/2	35mm or 40mm	-	4.000						
									1-1/2 Bore 1/4-20 SS and 3/8 x 1/8 Keyway (1 and 1-3/8 Bore available)		40mm Bore M6 x 1 SS no Keyway											

MODEL NO.	M		N	O	P	Q	R	S	T	U	V	W (INPUT HUB)		X	Y
	ENGLISH	METRIC										ENGLISH	METRIC		
DCB-2	0.062	2mm	1.70	2.00	1.00	1.00	3.39	0.710	1.95	.198 x .375	4-Holes, .187 DIA EQ. SP. ON 2.125 B.C.	3-Holes, 6-32 EQ. SP. ON .938 B.C.	3-Holes, M4 x .7 EQ. SP. ON 23.825 B.C.	-	0.600
DCB-4	0.125	3mm	1.96	2.38	1.19	1.00	4.10	0.807	2.56	.260 x .50	4-Holes, .187 DIA EQ. SP. ON 2.125 B.C.	3-Holes, 6-32 EQ. SP. ON .938 B.C.	3-Holes, M4 x .7 EQ. SP. ON 23.825 B.C.	-	0.645
DCB-5	0.125	3mm	2.26	2.62	1.31	1.31	4.56	0.910	2.50	.260 x .50	4-Holes, .187 DIA EQ. SP. ON 3.125 B.C.	3-Holes, 10-32 EQ. SP. ON 1.250 B.C.	3-Holes, M5 x .8 EQ. SP. ON 31.750 B.C.	-	0.780
DCB-6	-	-	2.31	4.25	2.12	2.12	5.75	1.380	2.92	.386 x .80	4-Holes, .281 DIA EQ. SP. ON 5.00 B.C.	3-Holes, 1/4-20 EQ. SP. ON 2.062 B.C.	3-Holes, M6 x 1 EQ. SP. ON 52.375 B.C.	0.125	1.562
DCB-8	-	-	2.31	5	2.5	2.5	7	1.8	3.118	.386 x .80	4-Holes, .394 DIA EQ. SP. ON 5.87 B.C.	6-Holes, 5/16-18 EQ. SP. ON 3.375 B.C.	6-Holes, M8 x 1.25 EQ. SP. ON 85.73 B.C.	0.018	2.375

## DCB-2 Clutch Brakes

### Regular *Clockwise*

D302-17-001	DCB2-CW-24VDC-AO-AB-1/4-1STP
D302-17-002	DCB2-CW-24VDC-AO-AB-1/4-2STP
D302-17-003	DCB2-CW-24VDC-AO-AB-1/4-4STP
D302-17-004	DCB2-CW-90VDC-AO-AB-1/4-1STP
D302-17-007	DCB2-CW-115VAC-AO-AB-1/4-1STP
D302-17-008	DCB2-CW-115VAC-AO-AB-1/4-2STP
D302-17-009	DCB2-CW-115VAC-AO-AB-1/4-4STP
D302-17-015	DCB2-CW-12VDC-AO-AB-1/4-1STP
D302-17-016	DCB2-CW-24VDC-AO-AB-1/4-2STP
D302-17-017	DCB2-CW-12VDC-AO-AB-1/4-4STP

### Metric *Clockwise*

D312-17-001	DCB2-CW-24VDC-AO-AB-6MM-1STP
D312-17-002	DCB2-CW-24VDC-AO-AB-6MM-2STP
D312-17-003	DCB2-CW-24VDC-AO-AB-6MM-4STP

### Regular *Counterclockwise*

D302-27-001	DCB2-CCW-24VDC-AO-AB-1/4-1STP
D302-27-003	DCB2-CCW-24VDC-AO-AB-1/4-4STP
D302-27-004	DCB2-CCW-90VDC-AO-AB-1/4-1STP
D302-27-007	DCB2-CCW-115VAC-AO-AB-1/4-1STP
D302-27-008	DCB2-CCW-115VAC-AO-AB-1/4-2STP
D302-27-009	DCB2-CCW-115VAC-AO-AB-1/4-4STP
D302-27-010	DCB2-CCW-12VDC-AO-AB-1/4-1STP
D302-27-011	DCB2-CCW-24VDC-AO-AB-1/4-2STP
D302-27-023	DCB2-CCW-12VDC-AO-AB-1/4-2STP

### Metric *Counterclockwise*

D312-27-001	DCB2-CCW-24VDC-AO-AB-6MM-1STP
D312-27-002	DCB2-CCW-24VDC-AO-AB-6MM-2STP
D312-27-003	DCB2-CCW-24VDC-AO-AB-6MM-4STP

## DCB-4 Clutch Brakes

### Regular *Clockwise*

D304-17-001	DCB4-CW-24VDC-AO-AB-3/8-1STP
D304-17-002	DCB4-CW-90VDC-AO-AB-3/8-1STP
D304-17-003	DCB4-CW-115VAC-AO-AB-3/8-1STP
D304-17-006	DCB4-CW-12VDC-AO-AB-3/8-1STP
D304-17-007	DCB4-CW-24VDC-AO-AB-3/8-4STP
D304-17-008	DCB4-CW-115VAC-AO-AB-3/8-2STP
D304-17-010	DCB4-CW-12VDC-AO-AB-3/8-1STP
D304-17-011	DCB4-CW-24VDC-AO-AB-3/8-2STP
D304-17-018	DCB4-CW-115VAC-AO-AB-3/8-4STP
D304-17-019	DCB4-CW-90VDC-AO-AB-3/8-2STP
D304-17-020	DCB4-CW-90VDC-AO-AB-3/8-4STP

### Metric *Clockwise*

D314-17-001	DCB4-CW-24VDC-AO-AB-10MM-1STP
D314-17-002	DCB4-CW-24VDC-AO-AB-10MM-2STP
D314-17-003	DCB4-CW-24VDC-AO-AB-10MM-4STP

### Regular *Counterclockwise*

D304-27-001	DCB4-CCW-24VDC-AO-AB-3/8-1STP
D304-27-002	DCB4-CCW-90VDC-AO-AB-3/8-1STP
D304-27-003	DCB4-CCW-115VAC-AO-AB-3/8-1STP
D304-27-007	DCB4-CCW-24VDC-AO-AB-3/8-2STP
D304-27-013	DCB4-CCW-12VDC-AO-AB-3/8-1STP
D304-27-015	DCB4-CCW-115VAC-AO-AB-3/8-2STP
D304-27-022	DCB4-CCW-12VDC-AO-AB-3/8-4STP
D304-27-023	DCB4-CCW-90VDC-AO-AB-3/8-2STP
D304-27-024	DCB4-CCW-90VDC-AO-AB-3/8-4STP
D304-27-025	DCB4-CCW-115VAC-AO-AB-3/8-4STP
D304-27-026	DCB4-CCW-24VDC-AO-AB-3/8-4STP

### Metric *Counterclockwise*

D314-27-001	DCB4-CCW-24VDC-AO-AB-10MM-1STP
D314-27-002	DCB4-CCW-24VDC-AO-AB-10MM-2STP
D314-27-003	DCB4-CCW-24VDC-AO-AB-10MM-4STP

## DCB-5 Clutch Brakes

### Regular *Clockwise*

D305-17-001	DCB5-CW-24VDC-AO-AB-1/2-1STP
D305-17-002	DCB5-CW-24VDC-AO-AB-1/2-2STP
D305-17-003	DCB5-CW-24VDC-AO-AB-1/2-4STP
D305-17-004	DCB5-CW-90VDC-AO-AB-1/2-1STP
D305-17-005	DCB5-CW-90VDC-AO-AB-1/2-2STP
D305-17-006	DCB5-CW-90VDC-AO-AB-1/2-4STP
D305-17-007	DCB5-CW-115VAC-AO-AB-1/2-1STP
D305-17-008	DCB5-CW-115VAC-AO-AB-1/2-2STP
D305-17-009	DCB5-CW-115VAC-AO-AB-1/2-4STP
D305-17-014	DCB5-CW-12VDC-AO-AB-1/2-1STP
D305-17-025	DCB5-CW-12VDC-AO-AB-1/2-2STP
D305-17-028	DCB5-CW-12VDC-AO-AB-1/2-4STP

### Metric *Clockwise*

D315-17-001	DCB5-CW-24VDC-AO-AB-12MM-1STP
D315-17-002	DCB5-CW-24VDC-AO-AB-12MM-2STP
D315-17-003	DCB5-CW-24VDC-AO-AB-12MM-4STP

### Super *Clockwise*

D325-17-001	DCB5-SUPER-CW-24VDC-AO-AB-1/2-1STP
D325-17-002	DCB5-SUPER-CW-24VDC-AO-AB-1/2-2STP
D325-17-003	DCB5-SUPER-CW-24VDC-AO-AB-1/2-4STP
D325-17-004	DCB5-SUPER-CW-115VAC-AO-AB-1/2-1STP
D325-17-005	DCB5-SUPER-CW-115VAC-AO-AB-1/2-2STP
D325-17-006	DCB5-SUPER-CW-115VAC-AO-AB-1/2-4STP

### Regular *Counterclockwise*

D305-27-001	DCB5-CCW-24VDC-AO-AB-1/2-1STP
D305-27-002	DCB5-CCW-24VDC-AO-AB-1/2-2STP
D305-27-003	DCB5-CCW-24VDC-AO-AB-1/2-4STP
D305-27-004	DCB5-CCW-90VDC-AO-AB-1/2-1STP
D305-27-005	DCB5-CCW-90VDC-AO-AB-1/2-2STP
D305-27-006	DCB5-CCW-90VDC-AO-AB-1/2-4STP
D305-27-007	DCB5-CCW-115VAC-AO-AB-1/2-1STP
D305-27-008	DCB5-CCW-115VAC-AO-AB-1/2-2STP
D305-27-009	DCB5-CCW-115VAC-AO-AB-1/2-4STP
D305-27-012	DCB5-CCW-12VDC-AO-AB-1/2-1STP
D305-27-044	DCB5-CCW-12VDC-AO-AB-1/2-4STP

### Metric *Counterclockwise*

D315-27-001	DCB5-CCW-24VDC-AO-AB-12MM-1STP
D315-27-002	DCB5-CCW-24VDC-AO-AB-12MM-2STP
D315-27-003	DCB5-CCW-24VDC-AO-AB-12MM-4STP

### Super *Counterclockwise*

D325-27-001	DCB5-SUPER-CCW-24VDC-AO-AB-1/2-1STP
D325-27-002	DCB5-SUPER-CCW-24VDC-AO-AB-1/2-2STP
D325-27-003	DCB5-SUPER-CCW-24VDC-AO-AB-1/2-4STP
D325-27-004	DCB5-SUPER-CCW-115VAC-AO-AB-1/2-1STP
D325-27-005	DCB5-SUPER-CCW-115VAC-AO-AB-1/2-2STP
D325-27-006	DCB5-SUPER-CCW-115VAC-AO-AB-1/2-4STP

## DCB-6 Clutch Brakes

### Regular *Clockwise*

D306-17-031	DCB6-CW-24VDC-AO-AB-1.0-4STP
D306-17-051	DCB6-CW-24VDC-AO-AB-3/4-1STP
D306-17-052	DCB6-CW-24VDC-AO-AB-3/4-1STP
D306-17-053	DCB6-CW-90VDC-AO-AB-3/4-1STP
D306-17-053	DCB6-CW-115VAC-AO-AB-3/4-1STP
D306-17-057	DCB6-CW-24VDC-AO-AB-1.0-1STP
D306-17-058	DCB6-CW-90VDC-AO-AB-1.0-1STP
D306-17-059	DCB6-CW-115VAC-AO-AB-1.0-1STP
D306-17-060	DCB6-CW-115VAC-AO-AB-3/4-2STP
D306-17-061	DCB6-CW-24VDC-AO-AB-1.0-2STP
D306-17-062	DCB6-CW-115VAC-AO-AB-1.0-2STP
D306-17-064	DCB6-CW-115VAC-AO-AB-1.0-3STP
D306-17-067	DCB6-CW-12VDC-AO-AB-3/4-4STP
D306-17-073	DCB6-CW-115VAC-AO-AB-3/4-4STP
D306-17-074	DCB6-CW-24VDC-AO-AB-3/4-2STP
D306-17-075	DCB6-CW-115VAC-AO-AB-1.0-4STP
D306-17-092	DCB6-CW-90VDC-AO-AB-1.0-4STP
D306-17-125	DCB6-CW-12VDC-AO-AB-1.0-24STP
D306-17-127	DCB6-CW-12VDC-AO-AB-1.0-1STP
D306-17-130	DCB6-CW-115VAC-AO-AB-3/4-3STP
D306-17-132	DCB6-CW-12VDC-AO-AB-3/4-1STP
D306-17-134	DCB6-CW-90VDC-AO-AB-3/4-2STP
D306-17-138	DCB6-CW-24VDC-AO-AB-3/4-3STP
D306-17-152	DCB6-CW-12VDC-AO-AB-3/4-2STP
D306-17-155	DCB6-CW-12VDC-AO-AB-1.0-3STP

[\(continued on next page\)](#)

### Regular *Counterclockwise*

D306-27-029	DCB6-CCW-24VDC-AO-AB-3/4-1STP
D306-27-031	DCB6-CCW-115VAC-AO-AB-3/4-1STP
D306-27-032	DCB6-CCW-24VDC-AO-AB-1.0-1STP
D306-27-033	DCB6-CCW-90VDC-AO-AB-1.0-1STP
D306-27-034	DCB6-CCW-115VAC-AO-AB-1.0-1STP
D306-27-036	DCB6-CCW-115VAC-AO-AB-3/4-3STP
D306-27-037	DCB6-CCW-115VAC-AO-AB-1.0-4STP
D306-27-038	DCB6-CCW-12VDC-AO-AB-3/4-4STP
D306-27-039	DCB6-CCW-115VAC-AO-AB-3/4-2STP
D306-27-044	DCB6-CCW-115VAC-AO-AB-1.0-2STP
D306-27-045	DCB6-CCW-115VAC-AO-AB-3/4-4STP
D306-27-046	DCB6-CCW-24VDC-AO-AB-3/4-2STP
D306-27-047	DCB6-CCW-12VDC-AO-AB-1.0-1STP
D306-27-048	DCB6-CCW-12VDC-AO-AB-3/4-1STP
D306-27-066	DCB6-CCW-24VDC-AO-AB-1.0-3STP
D306-27-071	DCB6-CCW-115VAC-NO AB-3/4-1STP
D306-27-129	DCB6-CCW-115VAC-AO-AB-1.0-3STP
D306-27-134	DCB6-CCW-24VDC-AO-AB-3/4-4STP
D306-27-135	DCB6-CCW-90VDC-AO-AB-3/4-1STP
D306-27-139	DCB6-CCW-12VDC-AO-AB-3/4-2STP
D306-27-145	DCB6-CCW-90VDC-AO-AB-3/4-2STP
D306-27-147	DCB6-CCW-24VDC-AO-AB-1.0-2STP
D306-27-149	DCB6-CCW-90VDC-AO-AB-1.0-2STP
D306-27-150	DCB6-CCW-24VDC-AO-AB-1.0-4STP
D306-27-160	DCB6-CCW-24VDC-AO-AB-3/4-3STP

## DCB-6 Clutch Brakes

### Regular *Clockwise (continued)*

D306-17-161	DCB6-CW-24VDC-AO-AB-1.0-3STP
D306-17-162	DCB6-CW-24VDC-AO-AB-3/4-4STP
D306-17-167	DCB6-CW-90VDC-AO-AB-3/4-4STP

### Metric *Clockwise*

D316-17-001	DCB6-CW-24VDC-AO-AB-20MM-1STP
D316-17-002	DCB6-CW-24VDC-AO-AB-25MM-1STP
D316-17-003	DCB6-CW-24VDC-AO-AB-20MM-2STP
D316-17-004	DCB6-CW-24VDC-AO-AB-25MM-2STP
D316-17-005	DCB6-CW-24VDC-AO-AB-20MM-4STP
D316-17-006	DCB6-CW-24VDC-AO-AB-25MM-4STP
D316-17-027	DCB6-CW-24VDC-AO-AB-20MM-3STP
D316-17-058	DCB6-CW-24VDC-AO-AB-25MM-3STP

### Super *Clockwise*

D326-17-007	DCB6-SUPER-CW-24VDC-AO-AB-3/4-1STP
D326-17-008	DCB6-SUPER-CW-24VDC-AO-AB-3/4-2STP
D326-17-009	DCB6-SUPER-CW-24VDC-AO-AB-3/4-4STP
D326-17-010	DCB6-SUPER-CW-24VDC-AO-AB-1.0-1STP
D326-17-011	DCB6-SUPER-CW-24VDC-AO-AB-1.0-2STP
D326-17-012	DCB6-SUPER-CW-24VDC-AO-AB-1.0-4STP
D326-17-019	DCB6-SUPER-CW-115VAC-AO-AB-3/4-1STP
D326-17-020	DCB6-SUPER-CW-115VAC-AO-AB-3/4-2STP
D326-17-021	DCB6-SUPER-CW-115VAC-AO-AB-3/4-4STP
D326-17-022	DCB6-SUPER-CW-115VAC-AO-AB-1.0-1STP
D326-17-023	DCB6-SUPER-CW-115VAC-AO-AB-1.0-2STP
D326-17-024	DCB6-SUPER-CW-115VAC-AO-AB-1.0-4STP
D326-17-041	DCB6-SUPER-CW-12VDC-AO-AB-1.0-1STP

### Super Metric *Clockwise*

D336-17-013	DCB6-SUPER-CW-24VDC-AO-AB-20MM-1STP
D336-17-014	DCB6-SUPER-CW-24VDC-AO-AB-20MM-2STP
D336-17-015	DCB6-SUPER-CW-24VDC-AO-AB-20MM-4STP
D336-17-016	DCB6-SUPER-CW-24VDC-AO-AB-25MM-1STP
D336-17-017	DCB6-SUPER-CW-24VDC-AO-AB-25MM-2STP
D336-17-018	DCB6-SUPER-CW-24VDC-AO-AB-25MM-4STP

### Metric *Counterclockwise*

D316-27-001	DCB6-CCW-24VDC-AO-AB-20MM-1STP
D316-27-002	DCB6-CCW-24VDC-AO-AB-25MM-1STP
D316-27-003	DCB6-CCW-24VDC-AO-AB-20MM-2STP
D316-27-004	DCB6-CCW-24VDC-AO-AB-25MM-2STP
D316-27-005	DCB6-CCW-24VDC-AO-AB-20MM-4STP
D316-27-006	DCB6-CCW-24VDC-AO-AB-25MM-4STP
D316-27-026	DCB6-CCW-24VDC-AO-AB-25MM-3STP
D316-27-027	DCB6-CCW-24VDC-AO-AB-20MM-3STP

### Super *Counterclockwise*

D326-27-007	DCB6-SUPER-CCW-24VDC-AO-AB-3/4-1STP
D326-27-008	DCB6-SUPER-CCW-24VDC-AO-AB-3/4-2STP
D326-27-009	DCB6-SUPER-CCW-24VDC-AO-AB-3/4-4STP
D326-27-010	DCB6-SUPER-CCW-24VDC-AO-AB-1.0-1STP
D326-27-011	DCB6-SUPER-CCW-24VDC-AO-AB-1.0-2STP
D326-27-012	DCB6-SUPER-CCW-24VDC-AO-AB-1.0-4STP
D326-27-016	DCB6-SUPER-CCW-90VDC-AO-AB-1.0-1STP
D326-27-019	DCB6-SUPER-CCW-115VAC-AO-AB-3/4-1STP
D326-27-020	DCB6-SUPER-CCW-115VAC-AO-AB-3/4-2STP
D326-27-021	DCB6-SUPER-CCW-115VAC-AO-AB-3/4-4STP
D326-27-022	DCB6-SUPER-CCW-115VAC-AO-AB-1.0-1STP
D326-27-023	DCB6-SUPER-CCW-115VAC-AO-AB-1.0-2STP
D326-27-024	DCB6-SUPER-CCW-115VAC-AO-AB-1.0-4STP

### Super Metric *Counterclockwise*

D336-27-013	DCB6-SUPER-CCW-24VDC-AO-AB-20MM-1STP
D336-27-014	DCB6-SUPER-CCW-24VDC-AO-AB-20MM-2STP
D336-27-015	DCB6-SUPER-CCW-24VDC-AO-AB-20MM-4STP
D336-27-016	DCB6-SUPER-CCW-24VDC-AO-AB-25MM-1STP
D336-27-017	DCB6-SUPER-CCW-24VDC-AO-AB-25MM-2STP
D336-27-018	DCB6-SUPER-CCW-24VDC-AO-AB-25MM-4STP

## DCB-8 Clutch Brakes

### Regular *Clockwise*

D308-17-101	DCB8-CW-24VDC-AO-AB-1 1/4-1STP
D308-17-102	DCB8-CW-24VDC-AO-AB-1 1/4-2STP
D308-17-103	DCB8-CW-24VDC-AO-AB-1 1/4-4STP
D308-17-104	DCB8-CW-90VDC-AO-AB-1 1/4-1STP
D308-17-105	DCB8-CW-90VDC-AO-AB-1 1/4-2STP
D308-17-106	DCB8-CW-90VDC-AO-AB-1 1/4-4STP
D308-17-107	DCB8-CW-115VAC-AO-AB-1 1/4-1STP
D308-17-108	DCB8-CW-115VAC-AO-AB-1 1/4-2STP
D308-17-109	DCB8-CW-115VAC-AO-AB-1 1/4-4STP
D308-17-110	DCB8-CW-24VDC-AO-AB-1 3/8-1STP
D308-17-116	DCB8-CW-115VAC-AO-AB-1 3/8-1STP
D308-17-118	DCB8-CW-115VAC-AO-AB-1 3/8-4STP

[\(continued on next page\)](#)

### Regular *Counterclockwise*

D308-27-101	DCB8-CCW-24VDC-AO-AB-1 1/4-1STP
D308-27-102	DCB8-CCW-24VDC-AO-AB-1 1/4-2STP
D308-27-103	DCB8-CCW-24VDC-AO-AB-1 1/4-4STP
D308-27-104	DCB8-CCW-90VDC-AO-AB-1 1/4-1STP
D308-27-105	DCB8-CCW-90VDC-AO-AB-1 1/4-2STP
D308-27-106	DCB8-CCW-115VAC-AO-AB-1 3/8-1STP
D308-27-107	DCB8-CCW-115VAC-AO-AB-1 1/4-1STP
D308-27-108	DCB8-CCW-115VAC-AO-AB-1 1/4-2STP
D308-27-109	DCB8-CCW-115VAC-AO-AB-1 1/4-4STP
D308-27-110	DCB8-CCW-24VDC-AO-AB-1 3/8-1STP
D308-27-111	DCB8-CCW-24VDC-AO-AB-1 3/8-2STP
D308-27-116	DCB8-CCW-115V -AO-AB-1 3/8-1STP

[\(continued on next page\)](#)

## DCB-8 Clutch Brakes

### Regular *Clockwise (continued)*

D308-17-119	DCB8-CW-24VDC-AO-AB-1 1/2-1STP
D308-17-120	DCB8-CW-24VDC-AO-AB-1 1/2-2STP
D308-17-121	DCB8-CW-24VDC-AO-AB-1 1/2-4STP
D308-17-122	DCB8-CW-90VDC-AO-AB-1 1/2-1STP
D308-17-124	DCB8-CW-90VDC-AO-AB-1 1/2-4STP
D308-17-125	DCB8-CW-115VAC-AO-AB-1 1/2-1STP
D308-17-126	DCB8-CW-115VAC-AO-AB-1 1/2-2STP
D308-17-127	DCB8-CW-115VAC-AO-AB-1 1/2-4STP
D308-17-135	DCB8-CW-12VDC-AO-AB-1 1/2-1STP
D308-17-137	DCB8-CW-24VDC-AO-AB-1.0-1STP
D308-17-139	DCB8-CW-115VAC-AO-AB-1.0-1STP
D308-17-156	DCB8-CW-90VDC-AO-AB-1.0-1STP
D308-17-159	DCB8-CW-24VDC-AO-AB-1.0-2STP
D308-17-160	DCB8-CW-24VDC-AO-AB-1.0-4STP
D308-17-161	DCB8-CW-115VAC-AO-AB-1.0-2STP
D308-17-162	DCB8-CW-115VAC-AO-AB-1.0-4STP

### Metric *Clockwise*

D318-17-001	DCB8-CW-24VDC-AO-AB-35MM-1STP
D318-17-002	DCB8-CW-24VDC-AO-AB-40MM-1STP
D318-17-003	DCB8-CW-24VDC-AO-AB-35MM-2STP
D318-17-004	DCB8-CW-24VDC-AO-AB-40MM-2STP
D318-17-005	DCB8-CW-24VDC-AO-AB-35MM-4STP
D318-17-006	DCB8-CW-24VDC-AO-AB-40MM-4STP

### Super *Clockwise*

D328-17-001	DCB8-SUPER-CW-12VDC-AO-AB-1 1/2-1STP
D328-17-013	DCB8-SUPER-CW-24VDC-AO-AB-1 1/2-1STP
D328-17-014	DCB8-SUPER-CW-24VDC-AO-AB-1 1/2-2STP
D328-17-015	DCB8-SUPER-CW-24VDC-AO-AB-1 1/2-4STP
D328-17-019	DCB8-SUPER-CW-24VDC-AO-AB-1 1/4-1STP
D328-17-020	DCB8-SUPER-CW-24VDC-AO-AB-1 1/4-2STP
D328-17-021	DCB8-SUPER-CW-24VDC-AO-AB-1 1/4-4STP
D328-17-022	DCB8-SUPER-CW-24VDC-AO-AB-1.0-1STP
D328-17-031	DCB8-SUPER-CW-90VDC-AO-AB-1 1/4-1STP
D328-17-037	DCB8-SUPER-CW-115VAC-AO-AB-1 1/2-1STP
D328-17-038	DCB8-SUPER-CW-115VAC-AO-AB-1 1/2-2STP
D328-17-039	DCB8-SUPER-CW-115VAC-AO-AB-1 1/2-4STP
D328-17-043	DCB8-SUPER-CW-115VAC-AO-AB-1 1/4-1STP
D328-17-044	DCB8-SUPER-CW-115VAC-AO-AB-1 1/4-2STP
D328-17-045	DCB8-SUPER-CW-115VAC-AO-AB-1 1/4-4STP
D328-17-046	DCB8-SUPER-CW-115VAC-AO-AB-1.0-1STP

### Super Metric *Clockwise*

D338-17-013	DCB8-SUPER-CW-24VDC-AO-AB-35MM-1STP
D338-17-014	DCB8-SUPER-CW-24VDC-AO-AB-35MM-2STP
D338-17-015	DCB8-SUPER-CW-24VDC-AO-AB-35MM-4STP
D338-17-016	DCB8-SUPER-CW-24VDC-AO-AB-40MM-1STP
D338-17-017	DCB8-SUPER-CW-24VDC-AO-AB-40MM-2STP
D338-17-018	DCB8-SUPER-CW-24VDC-AO-AB-40MM-4STP

### Regular *Counterclockwise (continued)*

D308-27-118	DCB8-CCW-115VAC-AO-AB-1 3/8-4STP
D308-27-119	DCB8-CCW-24VDC-AO-AB-1 1/2-1STP
D308-27-120	DCB8-CCW-24VDC-AO-AB-1 1/2-2STP
D308-27-121	DCB8-CCW-24VDC-AO-AB-1 1/2-4STP
D308-27-122	DCB8-CCW-90VDC-AO-AB-1 1/2-1STP
D308-27-123	DCB8-CCW-90VDC-AO-AB-1 1/2-2STP
D308-27-124	DCB8-CCW-90VDC-AO-AB-1 1/2-4STP
D308-27-125	DCB8-CCW-115VAC-AO-AB-1 1/2-1STP
D308-27-126	DCB8-CCW-115VAC-AO-AB-1 1/2-2STP
D308-27-127	DCB8-CCW-115VAC-AO-AB-1 1/2-4STP
D308-27-143	DCB8-CCW-12VDC-AO-AB-1 1/2-1STP
D308-27-158	DCB8-CCW-24VDC-AO-AB-1.0-1STP
D308-27-159	DCB8-CCW-24VDC-AO-AB-1.0-2 STP
D308-27-161	DCB8-CCW-115VAC-AO-AB-1.0-1STP
D308-27-162	DCB8-CCW-115VAC-AO-AB-1.0-2STP
D308-27-163	DCB8-CCW-115VAC-AO-AB-1.0-4STP
D308-27-164	DCB8-CCW-12VDC-AO-AB-1 1/4-1STP
D308-27-165	DCB8-CCW-12VDC-AO-AB-1 1/4-2STP
D308-27-166	DCB8-CCW-12VDC-AO-AB-1 1/4-4STP

### Metric *Counterclockwise*

D318-27-001	DCB8-CCW-24VDC-AO-AB-35MM-1STP
D318-27-002	DCB8-CCW-24VDC-AO-AB-40MM-1STP
D318-27-003	DCB8-CCW-24VDC-AO-AB-35MM-2STP
D318-27-004	DCB8-CCW-24VDC-AO-AB-40MM-2STP
D318-27-005	DCB8-CCW-24VDC-AO-AB-35MM-4STP
D318-27-006	DCB8-CCW-24VDC-AO-AB-40MM-4STP

### Super *Counterclockwise*

D328-27-013	DCB8-SUPER-CCW-24VDC-AO-AB-1 1/2-1STP
D328-27-014	DCB8-SUPER-CCW-24VDC-AO-AB-1 1/2-2STP
D328-27-015	DCB8-SUPER-CCW-24VDC-AO-AB-1 1/2-4STP
D328-27-019	DCB8-SUPER-CCW-24VDC-AO-AB-1 1/4-1STP
D328-27-020	DCB8-SUPER-CCW-24VDC-AO-AB-1 1/4-2STP
D328-27-021	DCB8-SUPER-CCW-24VDC-AO-AB-1 1/4-4STP
D328-27-023	DCB8-SUPER-CCW-24VDC-AO-AB-1.0-2STP
D328-27-031	DCB8-SUPER-CCW-90VDC-AO-AB-1 1/4-1STP
D328-27-037	DCB8-SUPER-CCW-115VAC-AO-AB-1 1/2-1STP
D328-27-038	DCB8-SUPER-CCW-115VAC-AO-AB-1 1/2-2STP
D328-27-039	DCB8-SUPER-CCW-115VAC-AO-AB-1 1/2-4STP
D328-27-040	DCB8-SUPER-CCW-115VAC-AO-AB-1 3/8-1ST
D328-27-043	DCB8-SUPER-CCW-115VAC-AO-AB-1 1/4-1STP
D328-27-044	DCB8-SUPER-CCW-115VAC-AO-AB-1 1/4-2STP
D328-27-045	DCB8-SUPER-CCW-115VAC-AO-AB-1 1/4-4STP
D328-27-046	DCB8-SUPER-CCW-115VAC-AO-AB-1.0-1STP

### Super Metric *Counterclockwise*

D338-27-013	DCB8-SUPER-CCW-24VDC-AO-AB-35MM-1STP
D338-27-014	DCB8-SUPER-CCW-24VDC-AO-AB-35MM-2STP
D338-27-015	DCB8-SUPER-CCW-24VDC-AO-AB-35MM-4STP
D338-27-016	DCB8-SUPER-CCW-24VDC-AO-AB-40MM-1STP
D338-27-017	DCB8-SUPER-CCW-24VDC-AO-AB-40MM-2STP
D338-27-018	DCB8-SUPER-CCW-24VDC-AO-AB-40MM-4STP