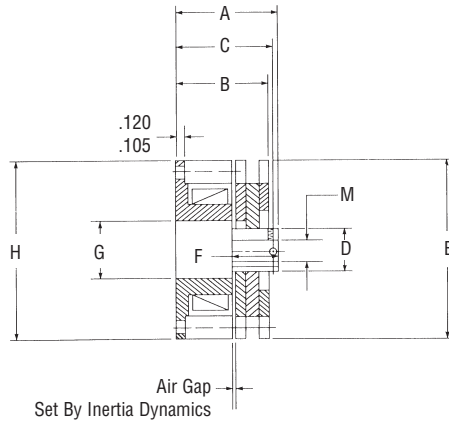


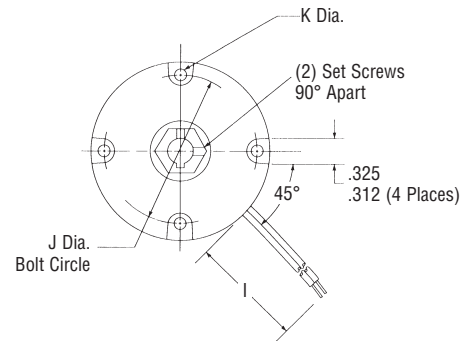
Spring Applied Brakes – Type SAB

Spring Applied Friction Brakes

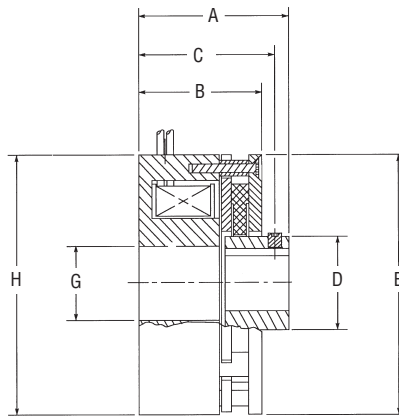
Inertia Dynamics features a type SAB spring applied brake. SAB brakes are designed to be engaged and disengaged in a static condition at zero RPM. They are best used as a parking brakes to hold loads in position. These brakes can be mounted to a flange or motor using thru-holes or tapped holes in the field cup. A conduit box is optional. SAB brakes have been used extensively for servo brake applications with minor modifications. High-temperature coil insulations are available upon request.



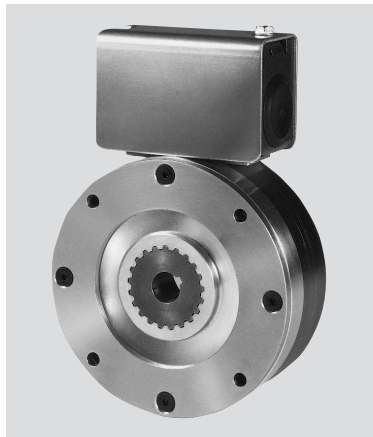
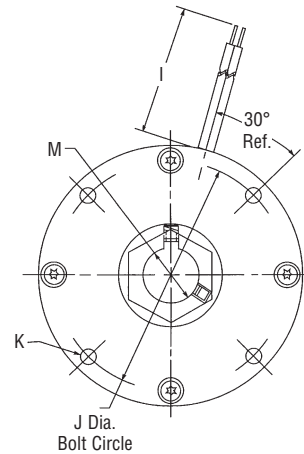
SAB20



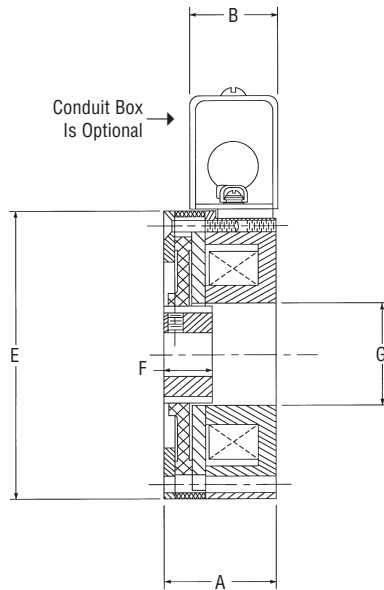
SAB90 shown



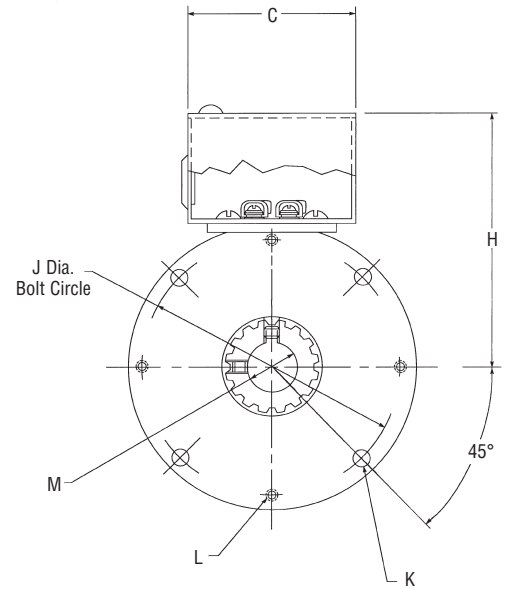
SAB90



SAB180 shown with optional conduit box



SAB180, 400, 1200



Mechanical

MODEL NO.	STATIC TORQUE LB.-IN.	INERTIA LB. – IN. ² ARMATURE & HUB ASSEMBLY	WGT. LB.
SAB20	20	.018	1
SAB90	90	.130	3
SAB180	180	.312	5
SAB400	400	.748	7.1
SAB1200	1200	1.732	12.4

Electrical

MODEL NO.	90 VDC		24 VDC		12 VDC		120 VAC	
	AMPS	OHMS	AMPS	OHMS	AMPS	OHMS	AMPS	OHMS
SAB20	.098	922	.37	65	.72	16.7	.08	N.A.
SAB90	.17	534	.68	35.3	1.34	8.95	.13	N.A.
SAB180	.29	314	1.14	21.10	2.25	5.33	.25	N.A.
SAB400	.39	230	1.54	15.50	3.01	3.98	.33	N.A.
SAB1200	.58	156	2.27	10.60	4.51	2.66	.49	N.A.

Dimensions

MODEL NO.	HUB STYLE	A MAX.	B MAX.	C NOM.	D MAX.	E MAX.	F MIN.	G REF.	H MAX.	I ± .500	J NOM.	K DIA.	L	M BORES & KEYWAYS		
														BORE	NOMINAL KEYWAY X**	Y**
SAB20	HEX	1.400	1.200	1.255	0.722	2.465	0.605	0.781	2.436	12.0	2.125	0.172	–	3/8 5/16 3/8	.094 – .097 .0625 – .0655 .094 – .097	.417 – .427 .347 – .352 .417 – .427
SAB90	HEX	1.938	1.658	1.753	1.298	3.530	0.740	1.375	3.530	18.0	3.125	0.190	#6 – 32 X .5	3/8 1/2 5/8 3/4	.094 – .097 .125 – .128 .1885 – .1905 .1885 – .1905	.417 – .427 .560 – .567 .709 – .716 .836 – .844
SAB180	SPLINE	1.770	1.500	2.930	–	4.260	0.800	1.500	4.129*	–	3.75	0.223	#8 – 32 X .5	3/8 1/2 5/8 3/4 7/8	.094 – .097 .125 – .128 .1885 – .1905 .1885 – .1905 .1885 – .1905	.417 – .427 .560 – .567 .709 – .716 .836 – .844 .962 – .970
SAB400	SPLINE	1.940	1.500	2.930	–	5.010	0.800	1.770	4.514*	–	4.5	0.283	#10 – 24 X .5	1/2 5/8 3/4 7/8 1	.125 – .128 .1885 – .1905 .1885 – .1905 .1885 – .1905 .251 – .253	.560 – .567 .709 – .716 .836 – .844 .962 – .970 1.113 – 1.121
SAB1200	SPLINE	2.050	1.500	2.930	–	6.510	0.900	2.425	5.252*	–	5.875	0.409	1/4 – 20 X .5	1 1 1/8 1 1/4 1 3/8 1 1/2	.251 – .253 .251 – .253 .251 – .253 .3135 – .3155 .376 – .379	1.114 – 1.124 1.241 – .1.251 1.367 – .1.377 1.518 – .1.528 1.606 – 1.616

*Reference Dimension

**X denotes keyway width, Y denotes keyway height plus bore

NOTES:

1. SAB1200 – Special .375 x .250 key is supplied with unit. Mating shaft to have conventional ASA Standard Keyway.
2. Conduit box is optional on models SAB180, 400 & 1200. Screw terminals supplied in place of conduit box.
3. Consult factory for Zero Backlash Hub Style

PART NUMBERING SYSTEM FOR PRODUCTS ON PAGES 3 TO 35 OF THIS CATALOG

A			A			B			B-C		D		E		F	
DIGIT	DIGIT	MODEL NO.	DIGIT	DIGIT	SIZE	DIGIT	VOLTS	DIGIT	BORE	DIGIT	DRIVE	DIGIT	CONNECTION			
1	7	FSB	0	1	001	1	90 VDC	1	1/8	1	ZERO BACKLASH	1	LEAD WIRES			
1	9	FSBR	0	2	003	2	24 VDC	2	3/16	2	HEX/SQUARE	2	SCREW TERMINALS			
2	1	FSBR (MANUAL RELEASE)	0	3	007	3	12 VDC	3	1/4	3	DYNAMIC (MANUAL RELEASE BRAKE ONLY)	3	SWITCH (MANUAL RELEASE BRAKE ONLY)			
			0	4	015	4	120 VAC	4	5/16	4	STATIC (MANUAL RELEASE BRAKE ONLY)	4	CONDUIT BOX			
			0	5	035			5	3/8	5	SPLINE					
			0	6	050			6	1/2							
			0	7	100			7	5/8							
			0	8	200			8	3/4							
0	1	SL	0	9	08			9	7/8							
0	3	BSL	1	0	11			0	1							
0	5	FL	1	1	15			11	1 1/8							
0	7	SO	1	2	17			12	1 1/4							
0	9	FO	1	3	19			13	1 3/8							
1	1	FB	1	4	22			14	1 1/2							
1	3	SLB	1	5	26											
1	5	SOB	1	6	30											
			1	7	42											
1	8	SAB	1	8	20											
			1	9	90											
			2	1	180											
			2	3	400											
			2	5	1200											

How To Order

- A. Select the model number from the product guide.
- B. Select the size of the clutch or brake.
- C. Select the voltage.
- D. Select the bore diameter.
- E. For all power-on clutches and brakes, select 1. For model FSBR and SAB-20, & 90, select 2. For model FSB spring applied brakes, select 1 or 2. For manual release brakes, select 3 or 4. For SAB-180, 400, & 1200, select 5.
- F. For all clutches and brakes, refer to the product guide and specify 1 or 2. For manual release brakes, if a switch is desired, select 3, otherwise use a 1.

Example

SL11 clutch, 24 volts, 1/4" bore
 Part No. 0110-2311
 FSB050 brake, 90 volts, 3/8" bore, Hex drive
 Part No. 1706-1521