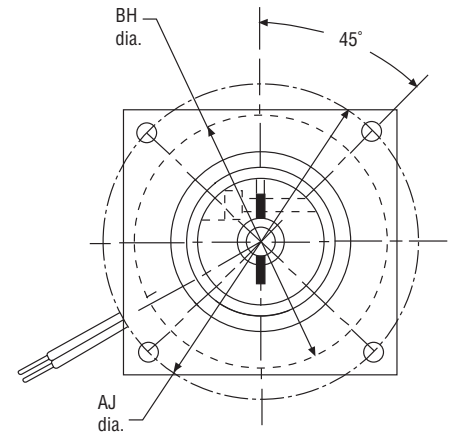
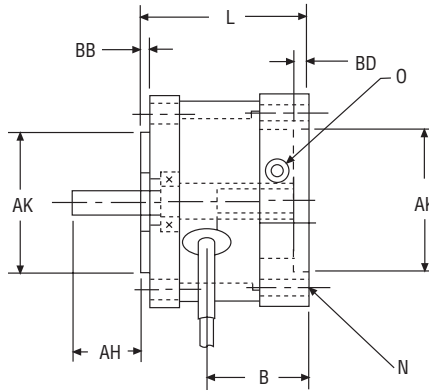
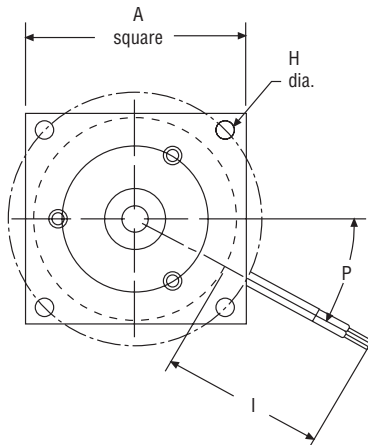
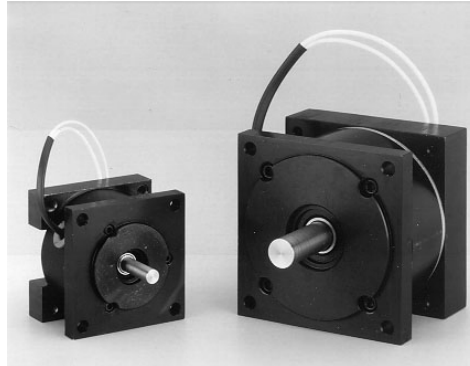


# Double C-Face Power-Off Brakes – MPC

# Double C-Face Power-Off Brakes for Nema 17, 23, 34 and 42 Frames

## MPC – Brake Only Module (Power-Off) with Output Shaft C-Face

The MPC is a power-off brake module with an output shaft. The unit mounts on a C-Face motor, and the output can be coupled to a C-Face gear reducer. Ideal for creating brake/motor packages on smaller servo and stepper frame motors.



### Dimensions

MODEL NO.	FRAME SIZE	SHAFT & HUB DIA.	A	AH <sup>1</sup>	AJ	AK	B	BB	BD	BH	H	N	I	L	O <sup>***</sup>	P
MPC17	17	3/16	1.65	.71	1.725	.866	.82	.080	.100	1.50	(4) #4-40-2B	(4) .125	11.50	1.57	#4-40	60
MPC23	23	1/4*	2.25	.70	2.625	1.500	1.18	.10	.145	2.13	(4) .205	(4) #10-24-2B	16.75	1.876	#6-32	30
MPC34	34	1/2*	3.25	1.16	3.875	2.875	1.58	.10	.145	2.878	(4) .222	(4) #10-24-2B	18.00	2.578	1/4-28	15
MPC42	42	5/8**	4.25	1.23	4.950	2.189	2.27	.10	.125	3.50	(4) .320	(4) 3/8-18-2B	18.00	4.056	1/4-28	90

\*23 and 34 frame also available in 3/8" bore.

\*\*42 frame also available with 3/8" and 1/2" hub and shaft.

\*\*\*Socket head cap screw for clamp collar.

<sup>1</sup> Alternate shaft lengths available – consult factory.

### Mechanical

MODEL NO.	STATIC TORQUE LB.-IN. <sup>1</sup>	INERTIA LB.-IN. <sup>2</sup>	WGT. OZ.
MPC17	1	.0024	7
MPC23	3	.0087	17
MPC34	15	.1120	46
MPC42	50	.2060	96

<sup>1</sup>Also available in higher torque sizes – consult Inertia Dynamics for more information.

### Electrical

MODEL NO.	90 VDC		24 VDC		12 VDC		120 VAC
	AMPS	OHMS	AMPS	OHMS	AMPS	OHMS	AMPS
MPC17	.051	1880	.220	117	.430	30	.044
MPC23	.041	2177	.182	132	.353	34	.048
MPC34	.098	922	.369	65.1	.719	16.7	.077
MPC42	.194	465	.717	35.5	.154	7.8	.140

## Ordering Information

### MPC PART NUMBERING SYSTEM

A		A		B		B-C		D		D		E	
DIGIT	MODEL NO.	DIGIT	FRAME SIZE	DIGIT	VOLTS	DIGIT	INPUT DIAMETER	DIGIT	OUTPUT DIAMETER	DIGIT	FLANGE CONFIGURATION		
89	MPC BRAKE	17	NEMA 17	1	90 VDC	1	1/8"	1	1/8"	1	STANDARD		
		23	NEMA 23	2	24 VDC	2	3/16"	2	3/16"	2			
		34	NEMA 34	3	12 VDC	3	1/4"	3	1/4"	3			
		42	NEMA 42	4	120 VAC	4	5/16"	4	5/16"	4			
				5		5	3/8"	5	3/8"				
				6		6	1/2"	6	1/2"				
				7		7	5/8"	7	5/8"				
				8		8	3/4"	8	3/4"				

### How To Order

- A. Select the model number from the product guide.
- B. Select the frame size.
- C. Select the voltage.
- D. Select the input and output diameter.
- E. Reserved for special torque – consult factory.

### Example

Model MPC34, 34 frame size, 24 VDC  
 1/2" diameter input and output shaft, standard enclosure  
 Part No. 8934-2661

### Underwriters Laboratories Standards



All Inertia Dynamics standard clutches, brakes, and spring applied brakes are recognized by Underwriters Laboratories to both U.S. and Canadian safety requirements. Products built to meet their construction requirements are labeled with the UL symbol as shown at above. The products indicated meet UL Class B requirements.