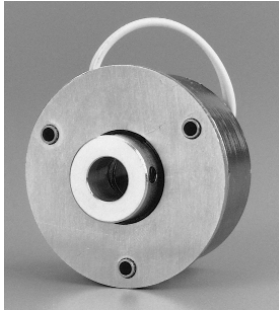


Flange Mounted Spring Applied Brakes – Type FSB

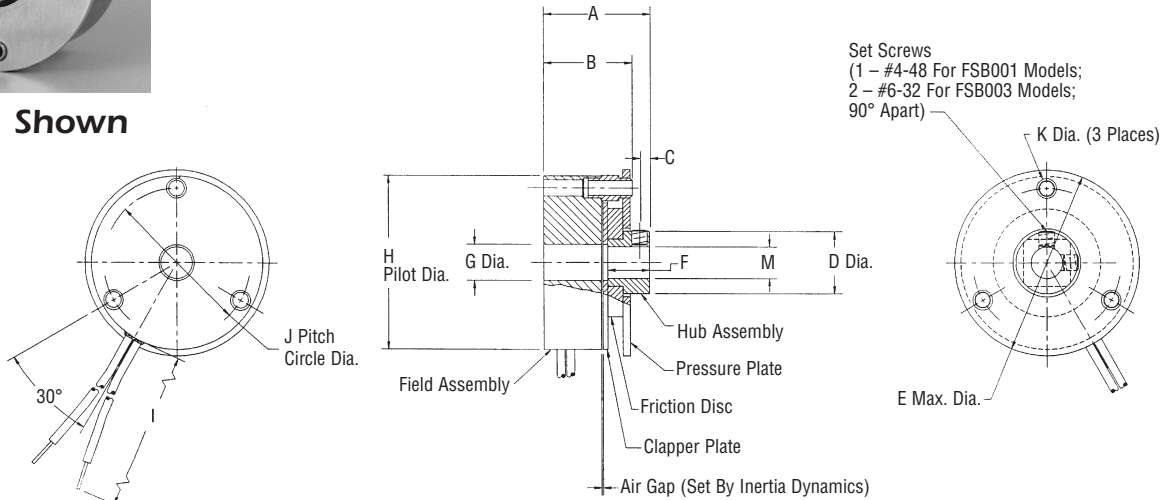
Spring Applied Friction Brakes



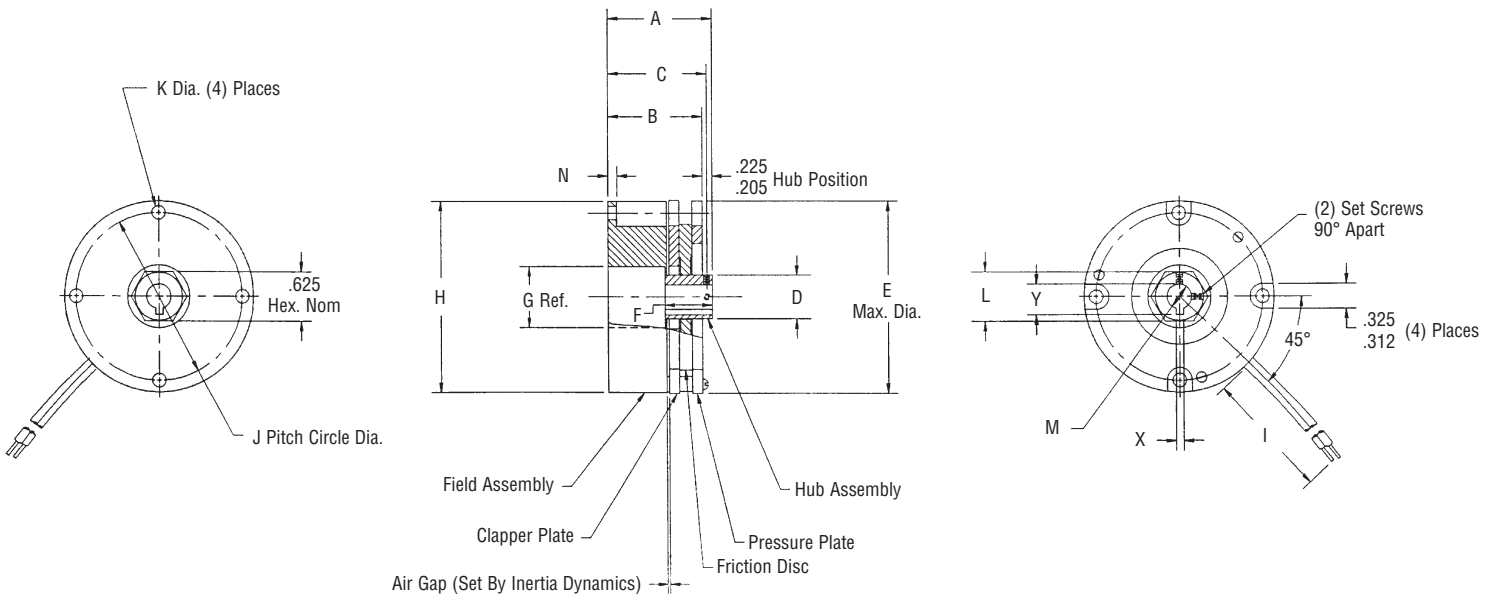
FSB001 Shown

Inertia Dynamics type FSB brakes are designed to decelerate or hold inertial loads when the voltage is turned off. These brakes can be mounted to a bulkhead or motor.

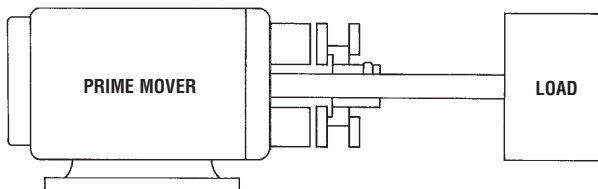
See page 30 for dimensional information



Model FSB001 or FSB003 - Square Drive



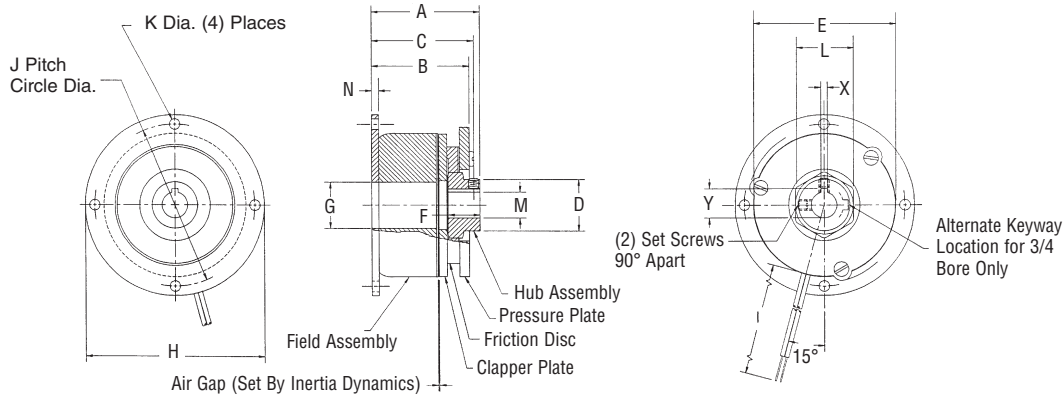
Model FSB007 or FSB015 - Hex Drive



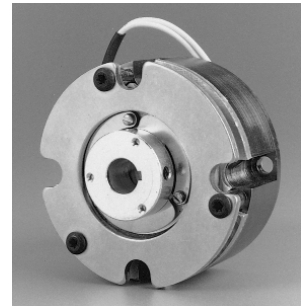
Customer Shall Maintain:

the perpendicularity of the mounting surface with respect to the shaft not to exceed .005 inch T.I.R. at a diameter equal to the brake body outside diameter; the concentricity between the mounting holes and the shaft not to exceed .010 T.I.R. for sizes 001-015 and .020 T.I.R. for sizes 035-100. Refer to instruction manual #040-10110.

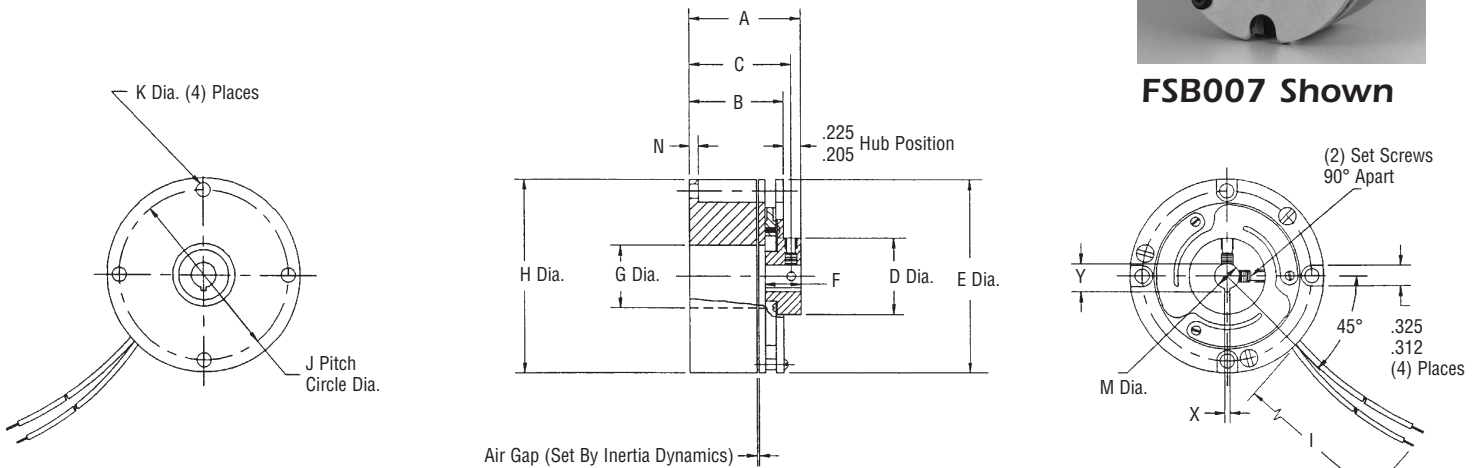
See page 30 for dimensional information



Model FSB035, FSB050, or FSB100 - Hex Drive



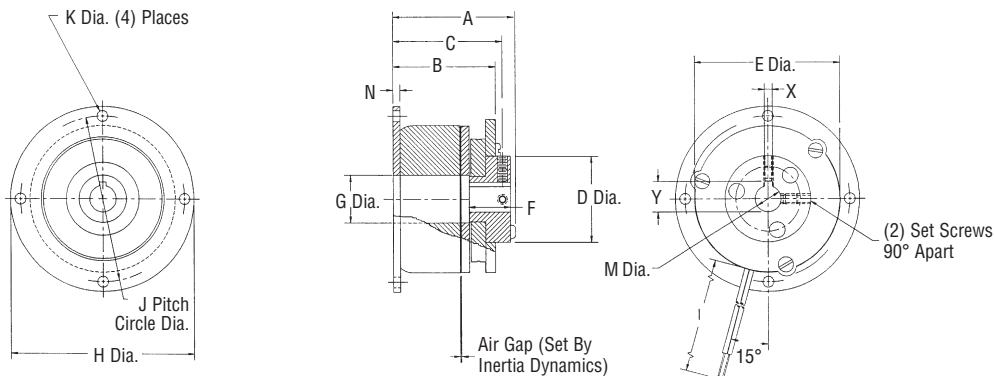
FSB007 Shown



Model FSB007 or FSB015 – Zero Backlash



FSB035 Shown



Model FSB035, FSB050 or FSB100 – Zero Backlash

Mechanical

MODEL NO.	STATIC TORQUE LB. – IN.	INERTIA LB. – IN. ² ARMATURE & HUB ASSEMBLY		WGT. OZ.
		SQUARE OR HEX DRIVE	ZERO BACKLASH	
FSB001	1	.0004	N.A.	2
FSB003	3	.0017	N.A.	3
FSB007	7	.0133	.0176	15
FSB015	15	.0133	.0176	16
FSB035	35	.084	.1733	33
FSB050	50	.084	.1733	36
FSB100	100	.205	N.A.	64

Electrical

MODEL NO.	90 VDC		24 VDC		12 VDC		120 VAC	
	AMPS	OHMS	AMPS	OHMS	AMPS	OHMS	AMPS	OHMS
FSB001	.051	1880	.220	117	.430	30	.044	N.A.
FSB003	.041	2177	.182	132	.353	34	.050	N.A.
FSB007	.059	1520	.247	97.3	.477	25.1	.045	N.A.
FSB015	.098	922	.369	65.1	.719	16.7	.077	N.A.
FSB035	.093	964	.394	61.0	.755	15.9	.073	N.A.
FSB050	.194	465	.717	33.5	1.54	7.75	.140	N.A.
FSB100	.180	501	.707	34	1.41	8.5	.142	N.A.

Lead wire is UL recognized style 1430 or 1015, 22 gage.
Insulation is .064" O.D. on 001 & 003 units; .095" O.D. on 007, 015, 035, 050 & 100 units.

Dimensions

MODEL NO.	HUB STYLE	A MAX.	B MAX.	C NOM.	D MAX.	E MAX.	F MIN.	G REF.	H MAX.	I ± .500	J NOM.	K MIN.	L NOM.	N MAX.	M BORES & KEYWAYS		
															BORE	NOMINAL KEYWAY X Y	
FSB001	Square Drive	.890	.710	.072	.510	1.485	.320	.280	1.375	12.0	1.180	.113	3/8	N.A.	1/8 3/16 1/4	SET SCREWS ONLY	
FSB003	Square Drive	1.060	.870	.115	.755	1.910	.380	.410	1.752	12.0	1.545	.113	9/16	N.A.	3/16 1/4 5/16 3/8	SET SCREWS ONLY	
FSB007	Hex Drive	1.400	1.200	1.255	.722	2.465	.605	.781	2.436	12.0	2.125	.170	5/8	.120	1/4 5/16 3/8 1/2*	.0625 – .0655 .094 – .097 .125 – .128	.285 – .290 .347 – .352 .417 – .427 .560 – .567
	Zero Backlash	1.400	1.200	1.255	.955	2.465	.450	.781	2.436	12.0	2.125	.170	N.A.	—			
FSB015	Hex Drive	1.400	1.200	1.255	.722	2.465	.605	.781	2.436	12.0	2.125	.170	5/8	.120	1/4 5/16 3/8 1/2*	.0625 – .0655 .094 – .097 .125 – .128	.285 – .290 .347 – .352 .417 – .427 .560 – .567
	Zero Backlash	1.400	1.200	1.255	.955	2.465	.450	.781	2.436	12.0	2.125	.170	N.A.	—			
FSB035	Hex Drive	2.110	1.920	1.960	1.000	3.010	.580	.891	3.500	18.0	3.125	.200	1 1/8	.142	3/8 1/2 5/8 3/4	.094 – .097 .125 – .128 .1885 – .1905 .1885 – .1905	.417 – .427 .560 – .567 .709 – .716 .836 – .844
	Zero Backlash	2.230	1.915	1.998	1.625	3.010	.730	.891	3.500	18.0	3.125	.200	N.A.	—			
FSB050	Hex Drive	2.110	1.920	1.960	1.000	3.010	.580	.891	3.500	18.0	3.125	.200	1 1/8	.142	3/8 1/2 5/8 3/4	.094 – .097 .125 – .128 .1885 – .1905 .1885 – .1905	.417 – .427 .560 – .567 .709 – .716 .836 – .844
	Zero Backlash	2.230	1.915	1.998	1.625	3.010	.730	.891	3.500	18.0	3.125	.200	N.A.	—			
FSB100	Hex Drive	2.320	2.080	2.100	.975	4.000	.555	1.188	5.250	18.0	4.750	.216	1 1/2	.210	1/2 5/8 3/4	.125 – .128 .1885 – .1905 .1885 – .1905	.560 – .567 .709 – .716 .836 – .844

*1/2" bore available in Zero Backlash only.

NOTES:

Hex Drive – FSB

- For sizes 001 and 003, position hub .010-.020 inches back from friction disc with coil de-energized.
- For sizes 007 and larger, position hub .010-.030 inches back from clapper plate with coil de-energized.
- 1/2 inch bore not available for sizes 007 and 015.

Zero Backlash – FSB

- Position hub to run freely with coil energized taking care to center the friction disc between the clapper and pressure plate.

PART NUMBERING SYSTEM FOR PRODUCTS ON PAGES 3 TO 35 OF THIS CATALOG

A			A			B		B-C		D		E		F	
DIGIT	DIGIT	MODEL NO.	DIGIT	DIGIT	SIZE	DIGIT	VOLTS	DIGIT	BORE	DIGIT	DRIVE	DIGIT	CONNECTION		
1	7	FSB	0	1	001	1	90 VDC	1	1/8	1	ZERO BACKLASH	1	LEAD WIRES		
1	9	FSBR	0	2	003	2	24 VDC	2	3/16	2	HEX/SQUARE	2	SCREW TERMINALS		
2	1	FSBR (MANUAL RELEASE)	0	3	007	3	12 VDC	3	1/4	3	DYNAMIC (MANUAL RELEASE BRAKE ONLY)	3	SWITCH (MANUAL RELEASE BRAKE ONLY)		
			0	4	015	4	120 VAC	4	5/16	4	STATIC (MANUAL RELEASE BRAKE ONLY)	4	CONDUIT BOX		
			0	5	035			5	3/8	5	SPLINE				
			0	6	050			6	1/2						
			0	7	100			7	5/8						
			0	8	200			8	3/4						
0	1	SL	0	9	08			9	7/8						
0	3	BSL	1	0	11			0	1						
0	5	FL	1	1	15			11	1 1/8						
0	7	SO	1	2	17			12	1 1/4						
0	9	FO	1	3	19			13	1 3/8						
1	1	FB	1	4	22			14	1 1/2						
1	3	SLB	1	5	26										
1	5	SOB	1	6	30										
			1	7	42										
1	8	SAB	1	8	20										
			1	9	90										
			2	1	180										
			2	3	400										
			2	5	1200										

How To Order

- A. Select the model number from the product guide.
- B. Select the size of the clutch or brake.
- C. Select the voltage.
- D. Select the bore diameter.
- E. For all power-on clutches and brakes, select 1. For model FSBR and SAB-20, & 90, select 2. For model FSB spring applied brakes, select 1 or 2. For manual release brakes, select 3 or 4. For SAB-180, 400, & 1200, select 5.
- F. For all clutches and brakes, refer to the product guide and specify 1 or 2. For manual release brakes, if a switch is desired, select 3, otherwise use a 1.

Example

SL11 clutch, 24 volts, 1/4" bore

Part No. 0110-2311

FSB050 brake, 90 volts, 3/8" bore, Hex drive

Part No. 1706-1521