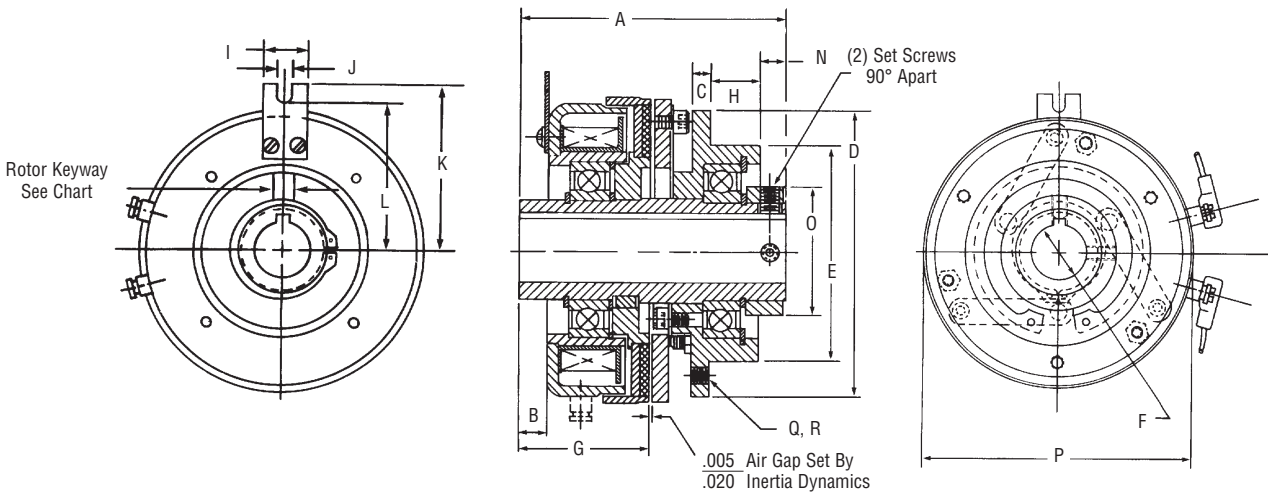
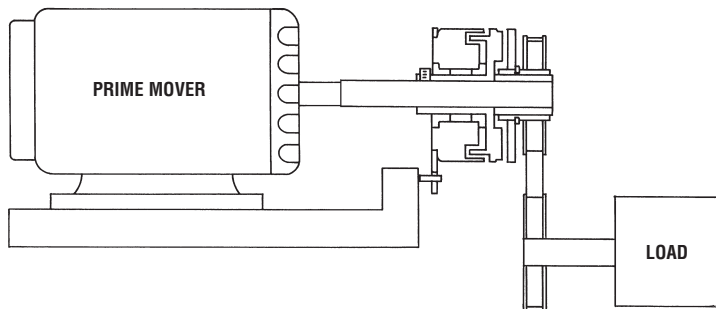


**Model BSL11 & BSL17**



**Model BSL26, BSL30 & BSL42**



Inertia Dynamics features five sizes of ball bearing clutches. All sizes have ball bearing armature and field assemblies for heavy duty applications, allowing higher shaft speeds and side loads to be achieved. All BSL clutches are shaft mounted for easy installation and operate in the same manner as our SL series clutches.



### Mechanical

MODEL NO.	STATIC TORQUE LB.-IN.	INERTIA LB. - IN. <sup>2</sup>		WGT. OZ.
		ROTOR	ARM & HUB	
BSL11	6	.013	.030	8
BSL17	15	.052	.095	26
BSL26	80	.290	.530	38
BSL30	125	.560	.990	54
BSL42	250	2.250	4.990	94

### Electrical

MODEL NO.	90 VDC		24 VDC		12 VDC	
	AMPS	OHMS	AMPS	OHMS	AMPS	OHMS
BSL11	.048	1848	.188	120	.447	26.8
BSL17	.066	1369	.289	83.1	.561	21.4
BSL26	.088	1024	.358	67.1	.760	15.8
BSL30	.091	988	.378	65.3	.729	16.5
BSL42	.124	722	.468	51.2	.934	12.84

Lead wire is UL recognized style 1213, 1015 or 1430, 22 gage.  
Insulation is .050" O.D. on 11 unit; .064" or .095" O.D. on all other units.

### Dimensions

MODEL NO.	A MAX.	B MAX.	C NOM.	D MAX.	E ± .001	F NOM.	G NOM.	H NOM.	I MAX.	J MIN.	K NOM.	L NOM.	M ± .500	N NOM.	O NOM.	P MAX.	ROTOR KEYWAY			Q B.C.	R SIZE
																	BORE	NOMINAL KEYWAY X*   Y*			
BSL11	1.785	.184	.405	1.380	.7485	$\frac{3}{16}$ $\frac{1}{4}$	.812	.163	.380	.125	.875	.625	12.00	.250	.625	1.285	N.A.	SET SCREWS ONLY		1.125 3-Holes	6-32 UNC-2B
BSL17	2.515	.304	.500	1.755	.9985	$\frac{1}{4}$ $\frac{5}{16}$ $\frac{3}{8}$	1.290	.193	.505	.184	1.325	.975	12.00	.315	.875	1.620	N.A.	SET SCREWS ONLY		1.437 3-Holes	8-32 UNC-2B
BSL26	2.930	.140	.260	2.505	1.498	$\frac{1}{2}$ $\frac{5}{8}$	1.375	.500	.510	.190	1.750	1.467	SCREW TERMINALS	.420	1.187	2.645	$\frac{1}{2}$ $\frac{5}{8}$	.125 - .128 .1885 - .1905	.560 - .567 .709 - .716	1.790 3-Holes	6-32 UNC-2B
BSL30	2.961	.140	.395	2.883	1.498	$\frac{1}{2}$	1.360	.500	.442	.170	2.050	1.740	SCREW TERMINALS	.408	1.187	3.300	$\frac{1}{2}$	.125 - .128	.560 - .567	1.790 3-Holes	6-32 UNC-2B
BSL42	3.350	.000	.267	4.015	2.999	$\frac{3}{4}$ $\frac{7}{8}$ 1	1.405	.673	.645	.188	2.500	2.216	SCREW TERMINALS	.383	1.810	4.270	$\frac{3}{4}$ $\frac{7}{8}$ 1	.1885 - .1905 .1885 - .1905 .251 - .253	.836 - .844 .962 - .970 1.113 - 1.121	3.500 3-Holes	$\frac{1}{4}$ -20 UNC-2B

#### NOTES:

- BSL42 has a .188-.195 diameter hole in the anti-rotation tab.
- BSL26 has two ball bearings in field and armature assemblies.
- BSL30 has two ball bearings in armature assembly.
- BSL26 uses a special key provided by IDI for  $\frac{5}{8}$ " bore.

\*X denotes keyway width, Y denotes keyway height plus bore.

PART NUMBERING SYSTEM FOR PRODUCTS ON PAGES 3 TO 35 OF THIS CATALOG

A			A			B			B-C		D		E		F	
DIGIT	DIGIT	MODEL NO.	DIGIT	DIGIT	SIZE	DIGIT	VOLTS	DIGIT	BORE	DIGIT	DRIVE	DIGIT	CONNECTION			
1	7	FSB	0	1	001	1	90 VDC	1	1/8	1	ZERO BACKLASH	1	LEAD WIRES			
1	9	FSBR	0	2	003	2	24 VDC	2	3/16	2	HEX/SQUARE	2	SCREW TERMINALS			
2	1	FSBR (MANUAL RELEASE)	0	3	007	3	12 VDC	3	1/4	3	DYNAMIC (MANUAL RELEASE BRAKE ONLY)	3	SWITCH (MANUAL RELEASE BRAKE ONLY)			
			0	4	015	4	120 VAC	4	5/16	4	STATIC (MANUAL RELEASE BRAKE ONLY)	4	CONDUIT BOX			
			0	5	035			5	3/8	5	SPLINE					
			0	6	050			6	1/2							
			0	7	100			7	5/8							
			0	8	200			8	3/4							
0	1	SL	0	9	08			9	7/8							
0	3	BSL	1	0	11			0	1							
0	5	FL	1	1	15			11	1 1/8							
0	7	SO	1	2	17			12	1 1/4							
0	9	FO	1	3	19			13	1 3/8							
1	1	FB	1	4	22			14	1 1/2							
1	3	SLB	1	5	26											
1	5	SOB	1	6	30											
			1	7	42											
1	8	SAB	1	8	20											
			1	9	90											
			2	1	180											
			2	3	400											
			2	5	1200											

**How To Order**

- A. Select the model number from the product guide.
- B. Select the size of the clutch or brake.
- C. Select the voltage.
- D. Select the bore diameter.
- E. For all power-on clutches and brakes, select 1. For model FSBR and SAB-20, & 90, select 2. For model FSB spring applied brakes, select 1 or 2. For manual release brakes, select 3 or 4. For SAB-180, 400, & 1200, select 5.
- F. For all clutches and brakes, refer to the product guide and specify 1 or 2. For manual release brakes, if a switch is desired, select 3, otherwise use a 1.

**Example**

SL11 clutch, 24 volts, 1/4" bore  
 Part No. 0110-2311  
 FSB050 brake, 90 volts, 3/8" bore, Hex drive  
 Part No. 1706-1521